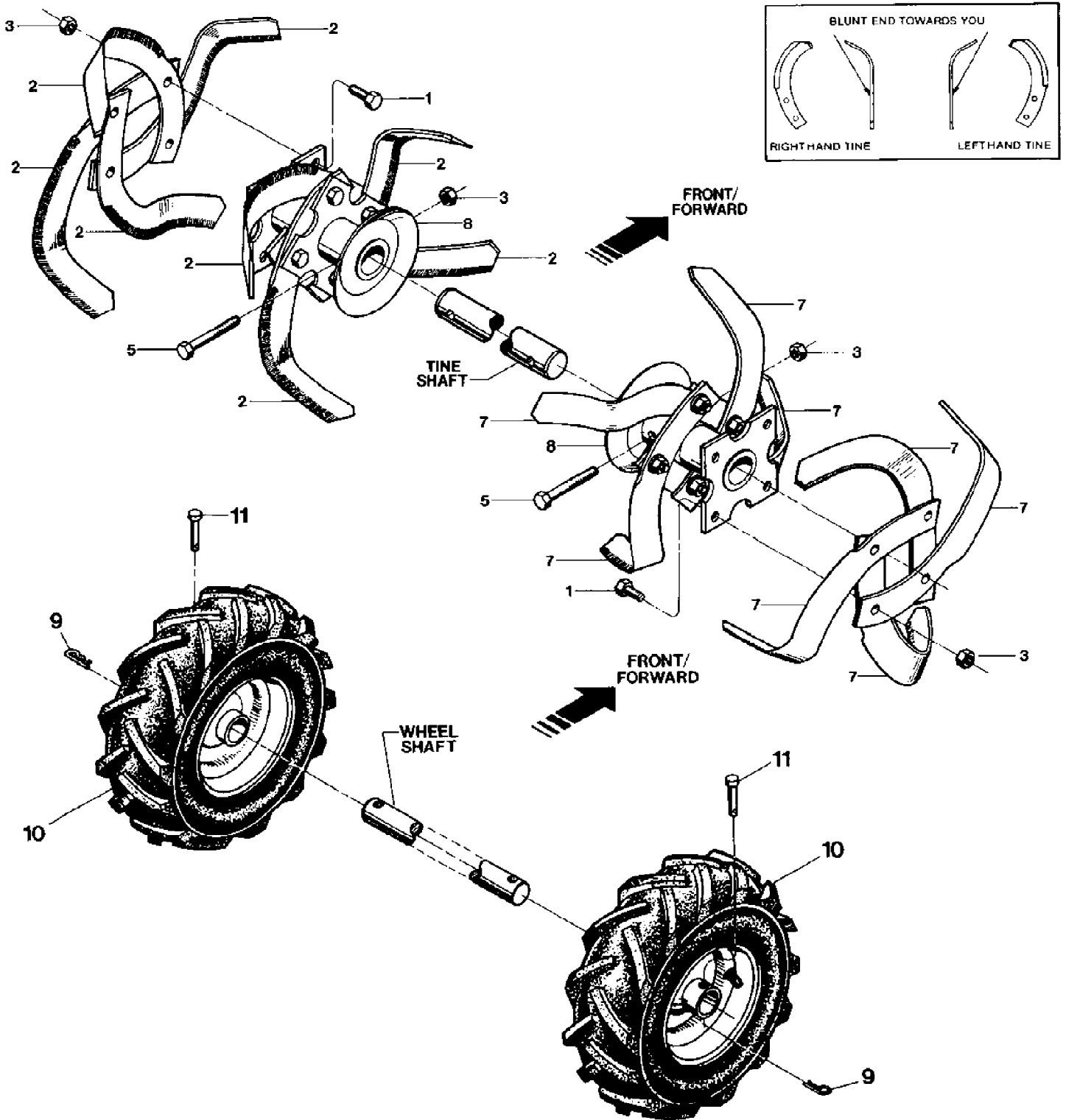


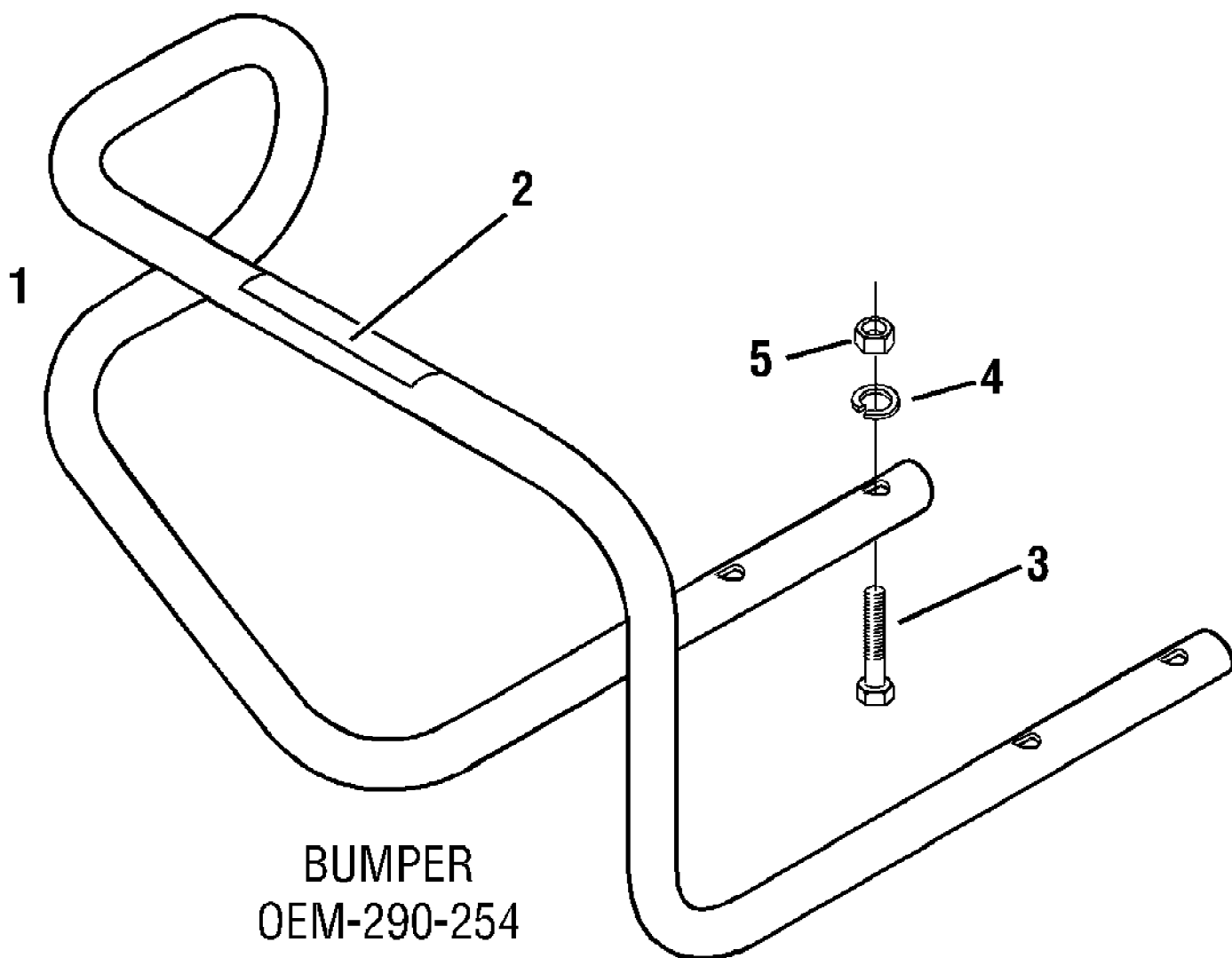
21AE666M766 Pony Roto-Tiller (2005)
Bolo Tines, Wheels



21AE666M766 Pony Roto-Tiller (2005)
Bolo Tines, Wheels

Page 2 of 19

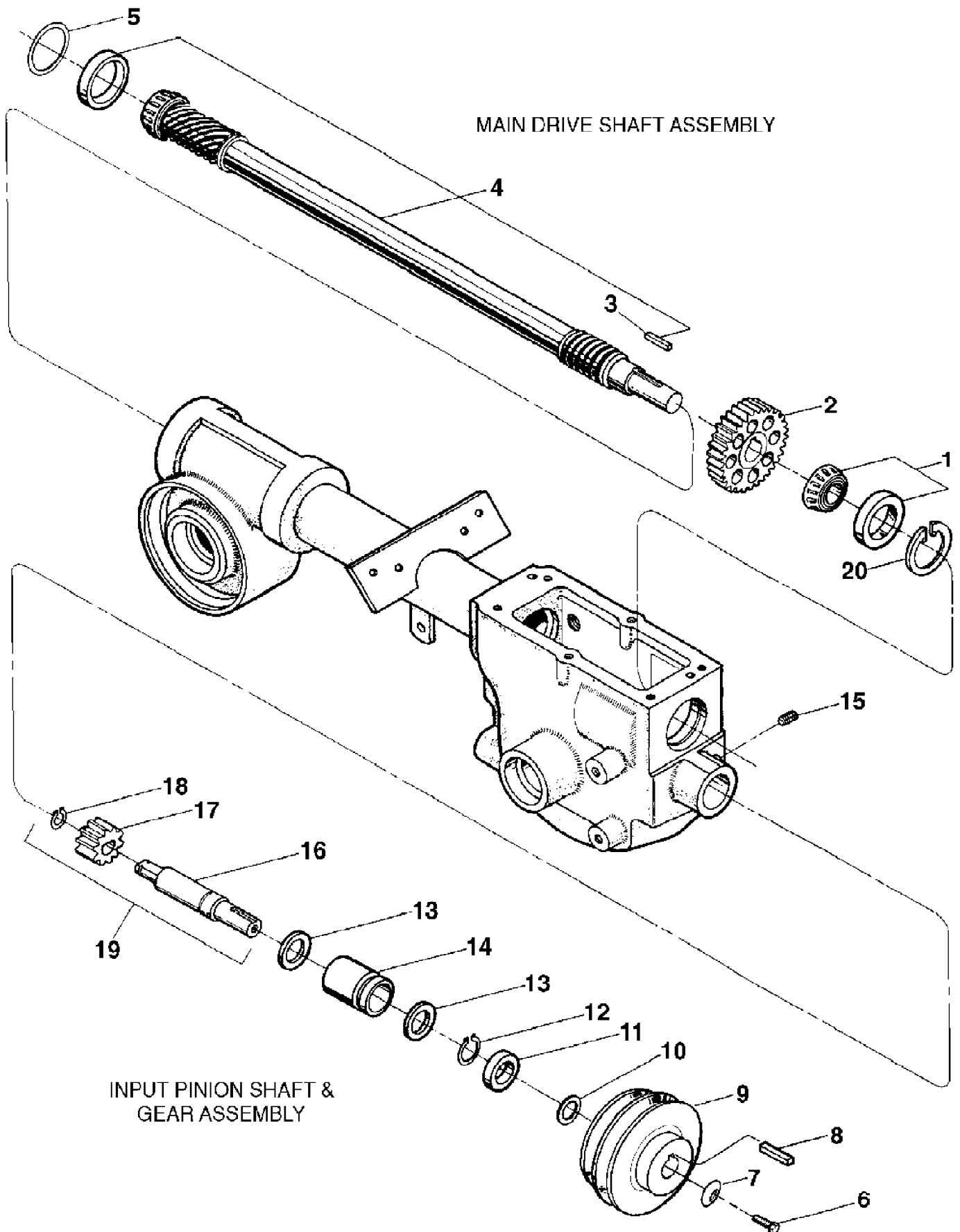
Ref #	Part Number	Qty	S/P/F	Description
1	710-0514	16	/P	Hex Hd. Screw, 3/8-16 x 1 GRADE 5
2	742-04119-0637	8	/P	Bolo Tine-single. Left
3	712-3000	18	S	Hex Locknut, 3/8-16
5	710-3096	2	/P	Hex Hd. Screw, 3/8-16 x 2, Grade 8
7	742-04118-0637	8	/P	Bolo Tine-single. Right
8	1902154	2	S	Tine Holder. For left and right sides
9	GW-9338	2	S	Hitch Pin
10	1917487	2	S	Wheel and Tire Assembly
11	GW-9380	2	S	Clevis Pin, .312 x 1-3/
	1901118	1	S	Bolo Tine Replacement Set (Incl. eight ea. right hand and left hand tines, and sixteen ea. Refs. 1 and 3)
	GW-2475-1	8	S	Custom Tilling Bolo Tine, Left hand tine (see Note)
	GW-2475-2	8	S	Custom Tilling Bolo Tine, Right hand tine (see Note)
	GW-10802	1	/P	Custom Tilling Bolo Tine Replacement Set



21AE666M766 Pony Roto-Tiller (2005)
Bumper Attachment

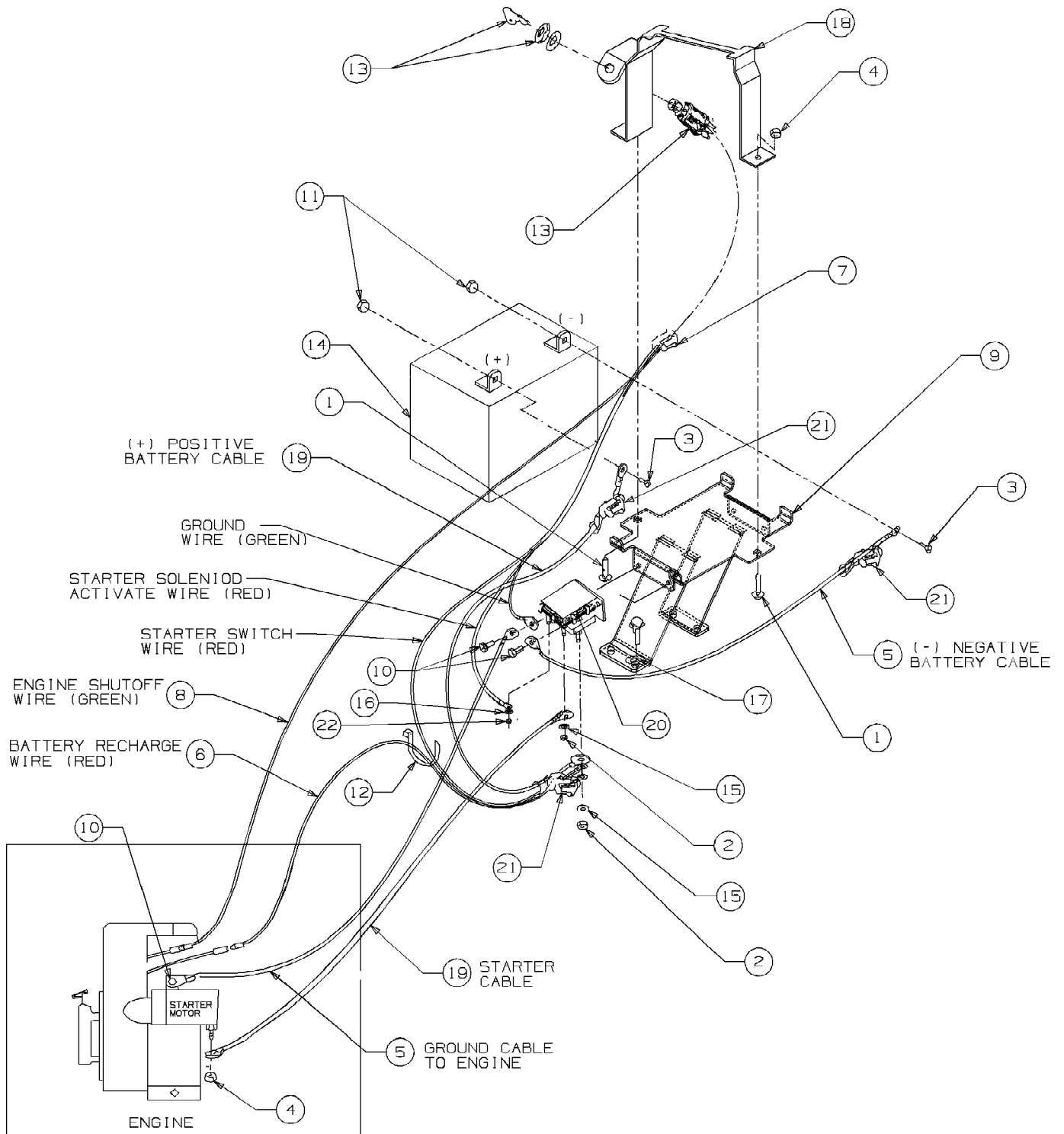
Page 4 of 19

Ref #	Part Number	Qty	S/P/F	Description
		1		Bumper - OEM-290-254
1	749-04193	1	S	Bumper
2	777S30653	1		Decal - Caution
3	710-0395	4	/P	Screw-hex hd., 5/16-18 x 2-1/4 (included in hardware kit)
4	736-0119	4	S	Lockwasher-5/16 (included in hardware kit)
5	712-04063	4	/P	Lock Nut-Hex, Nylon, 5/16-18 (included in hardware kit)
	1918781	1		Hardware Kit: Incl. four each of Refs. 3, 4 and 5



Ref #	Part Number	Qty	S/P/F	Description
		1		MAIN DRIVE SHAFT
1	GW-1714	1	S	Bearing, Tapered Roller with Race
2	GW-20718	1	S	Spur Gear
3	GW-9301	1	S	Key, 3/16 sq. x 1
4	GW-20912	1	F	Main Drive Shaft
5	GW-1224-1	A/R	S/F	Shim, Rear Bearing Cap, .010" thick As Required
5	GW-1224-2	A/R	S/F	Shim, same as above, but .030" thick As Required
5	GW-1224-3	A/R	S/F	Shim, same as above, but .005" thick As Required
	GW-1325C	A/R	/P	Shim Set (Incl. two GW-1224-1; two 1224-2 and one GW-1224-3)
6	GW-9572	1	S	INPUT PINION SHAFT & GEAR ASSEMBLY
		1	S	Hex Hd. Screw, 5/16-24 x 1-1/8 Specify GRADE 5 if ordering part locally.
7	GW-9944	1	S	Washer, Disc Spring (concave surface faces pulley)
8	1108841	1	S	Key, 3/16 sq. x 1-1/2
9	1916522	1	S	Transmission Drive Pulley
10	GW-1440	1	S	Support Washer
11	721-04044	1	S	Oil Seal, Input Pinion Shaft
12	1113527	1	S	Retaining Ring (external)
13	GW-9953	2	/P	Thrust Washer
14	GW-9428	1	/P	Bushing
15	GW-9677	1	/P	Set Screw, 5/16-18 x 3/8 Specify GRADE 5 if ordering part locally.
16	GW-20791	1	/P	Input Pinion (steel shaft)
17	GW-20792	1	S	Input Pinion Gear
18	GW-9093	1	/P	Retaining Ring (external)
19	GW-20799	A/R	/P	Pinion Assy. (Incl. one each Refs. 16, 17 and 18; As Required)
20	GW-9517	1	S	Retaining Ring (internal)

21AE666M766 Pony Roto-Tiller (2005)
Electric Start Assembly

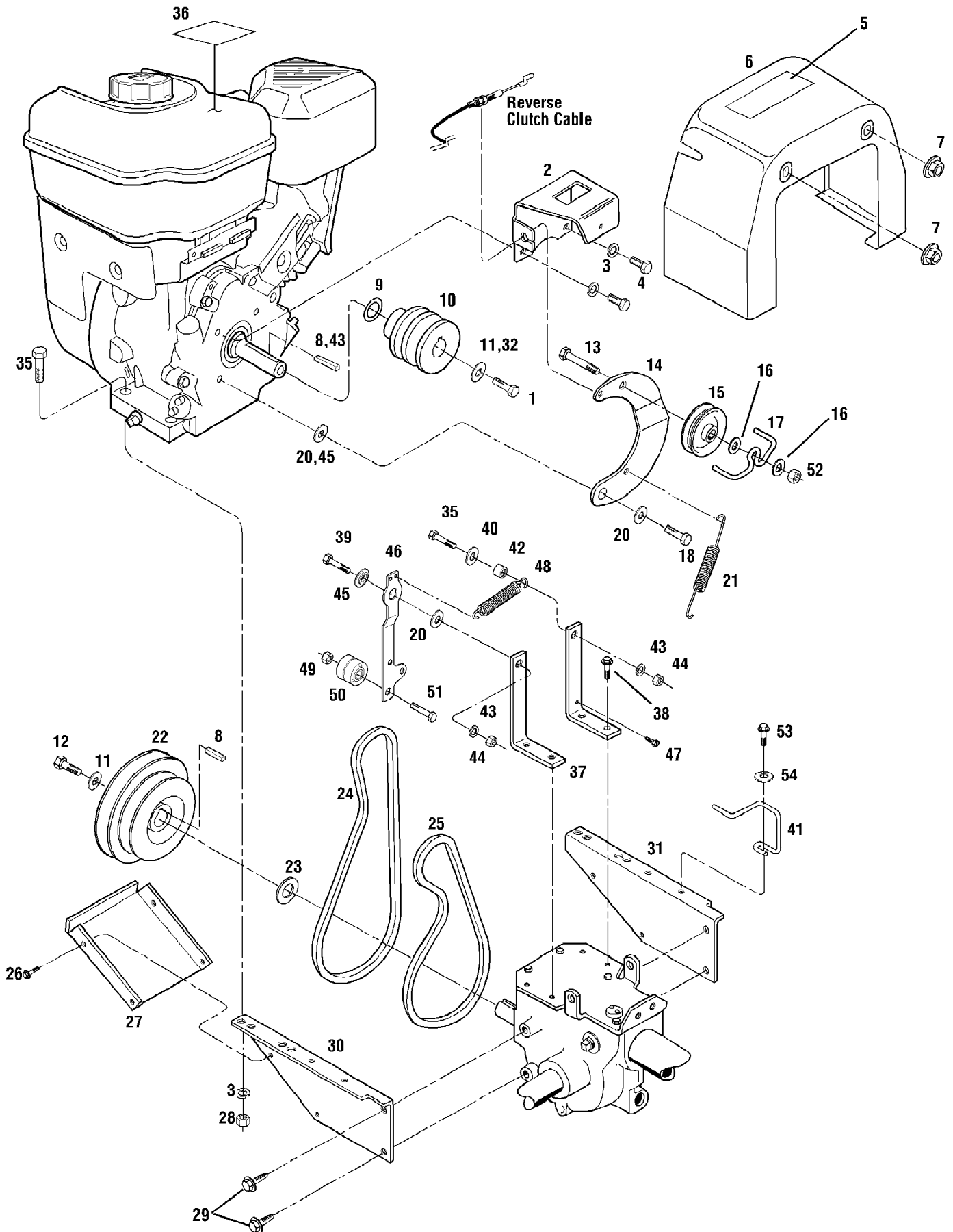


21AE666M766 Pony Roto-Tiller (2005)
Electric Start Assembly

Page 8 of 19

Ref #	Part Number	Qty	S/P/F	Description
1	1186073	2	/P	Carriage Screw, 1/4-20 x 1.25
2	1186211	2	/P	Hex Nut, 5/16-24
3	1186390	2		Flange Screw, 1/4-20 x .625
4	1186389	2	/P	Hex Locknut, 1/4-20
5	1901202	2	/P	Cable (ground wire to starter motor bracket)
6	1901894	1	/P	Recharge Wire Assembly Specify GRADE 5 if ordering locally.
7	1908118	1	S/F	Wire Harness Assy. (available as complete assembly only).
8	1917262	1	/P	Ground Wire Assy. (shut off)
9	686-04024	1	S	Battery Bracket Assembly, Pony
10	710-0599	3	/P	Self-tapping Screw, 1/4-20 x .5
11	712-3006	2	/P	Hex Nut, 1/4-20
12	725-0157	1	/P	Cable Tie
13	725-0267	1	S	Ignition Switch Specify GRADE 5 if ordering locally.
14	725-1706	1	S	Battery, 270 CCA
15	736-0119	2	S	Lock Washer 5/16
16	736-0147	1	S	Lock Washer, #10
17	736-0607	2	/P	External Lock Washer, 5/16
18	GW-2614	1	S	Keyswitch Clamp
19	96510	1	S	Cable (solenoid to starter motor)
20	96514	1	S	Solenoid (Incl. nuts and washers for cables and wires)
21	97020	2	S	Boot, Insulating
22	9853	1	S	Hex Locknut, #10-32
	777S30648	1	/P	Label, Ignition Switch

21AE666M766 Pony Roto-Tiller (2005)
Engine, Support Brackets, Pulleys, Belts, Belt Cover



21AE666M766 Pony Roto-Tiller (2005)
Engine, Support Brackets, Pulleys, Belts, Belt Cover

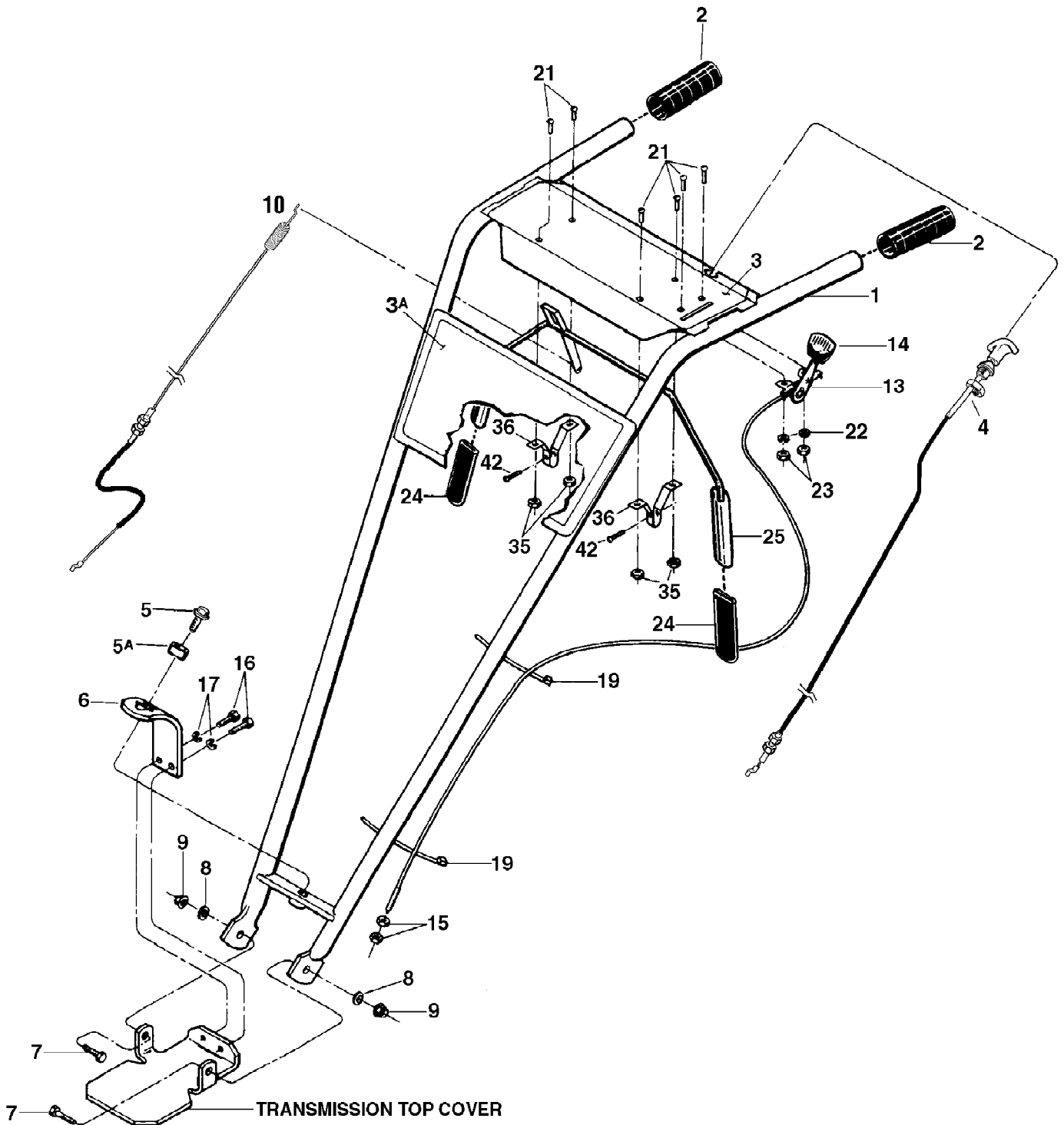
Page 10 of 19

Ref #	Part Number	Qty	S/P/F	Description
1	710-0539	1	/P	Screw, 3/8-24 x 1.75 For Models 664D & E666M
	GW-9572	1	S	Screw, 5/16-24 x 1.125 For Model 665B
2	1917326	1	S	Bracket, Clutch Cable
3	736-0119	6	S	Lockwasher-5/16
4	710-0107	2	/P	Hex Hd. Screw, 5/16-24 x 1/2
5	777S30651	1		Decal, Hot Surfaces/Belt Warning
6	1916659	1	S	Cover
7	712-3004A	2	/P	Flange Lock Nut, 5/16-18
8	1108841	1	S	Key, 3/16 x 1-1/2 For Model 665B
9	GW-1138-1	1	S	Shim
10	619-04015	1	S	Pulley, Engine Drive For Models 664D & E666M
	191652	1		Pulley, Engine Drive For Model 665B
11	GW-9944	2	S	Belleville Washer For Model 665B
12	GW-9572	1	S	Hex Hd. Screw, 5/16-24 x 1-1/8
13	710-3103	1	/P	Hex Hd. Screw, 5/16-18 x 2
14	1918731	1	S	Reverse Idler Arm
15	1916535	1	/P	Pulley, Reverse Idler
16	736-0159	2	S	Flat Washer, 5/16
17	1916725	1	S	Belt Guide, Wire Formed
18	710-0117	1	S	Hex Head Screw, 5/16-24 x 1
19	1917746	1	S	Washer, Shoulder
20	736-3078	3	/P	Washer, Flat, 1-1/8 For Model 665B
21	1916728	1	S	Spring, Reverse Return
22	1916522	1	S	Transmission Pulley
23	GW-1440	1	S	Support Washer
24	1918812	1	/P	Reverse Clutch Belt
25	1909404	1	/P	Forward Clutch Belt
26	1900396	4	/P	Self-tapping Screw, #10-32 x 1/2
27	GW-20339	1	S	Guard, Belts/Pulleys
28	712-4063	4		Hex Flange Nut, 5/16-18
29	1186329	4	S	Hex Flange Screw, 5/16-18 x 3/4 Specify GRADE 5 if ordering part locally.
30	1916797	1	S	Engine Support Bracket, left side
31	1916796	1	S	Engine Support Bracket, right side
32	736-0452	1	S	Bell Washer For Models 664D & E666M
35	710-0395	5	/P	Hex Hd. Screw, 5/16-18 x 2-1/4
36	777I20942	1		Decal, Stabilization
37	1918774	2	S	Mounting Bar
38	710-1260	4	S	Hex Flange Screw, 5/16-18 x .75
39	710-0805	1	/P	Hex Hd. Screw, 5/16-18 x 1-1/2 Specify GRADE 5 if ordering part locally.
40	736-0275	1	S	Flat Washer, 5/16"
41	1918846	2	S	Belt Guide, Pony
42	GW-55088	2	/P	Pivot Bushing
43	714-04029	1	S	Key, .188 x 1.75 For Models 664D & E666M
44	712-3010	2	S	Hex Nut, 5/16-18
45	1917746	2	S	Washer, Shoulder For Models 664D & E666M
46	1918744	1	S	Idler Arm, Forward Tiller Direction

21AE666M766 Pony Roto-Tiller (2005)
Engine, Support Brackets, Pulleys, Belts, Belt Cover

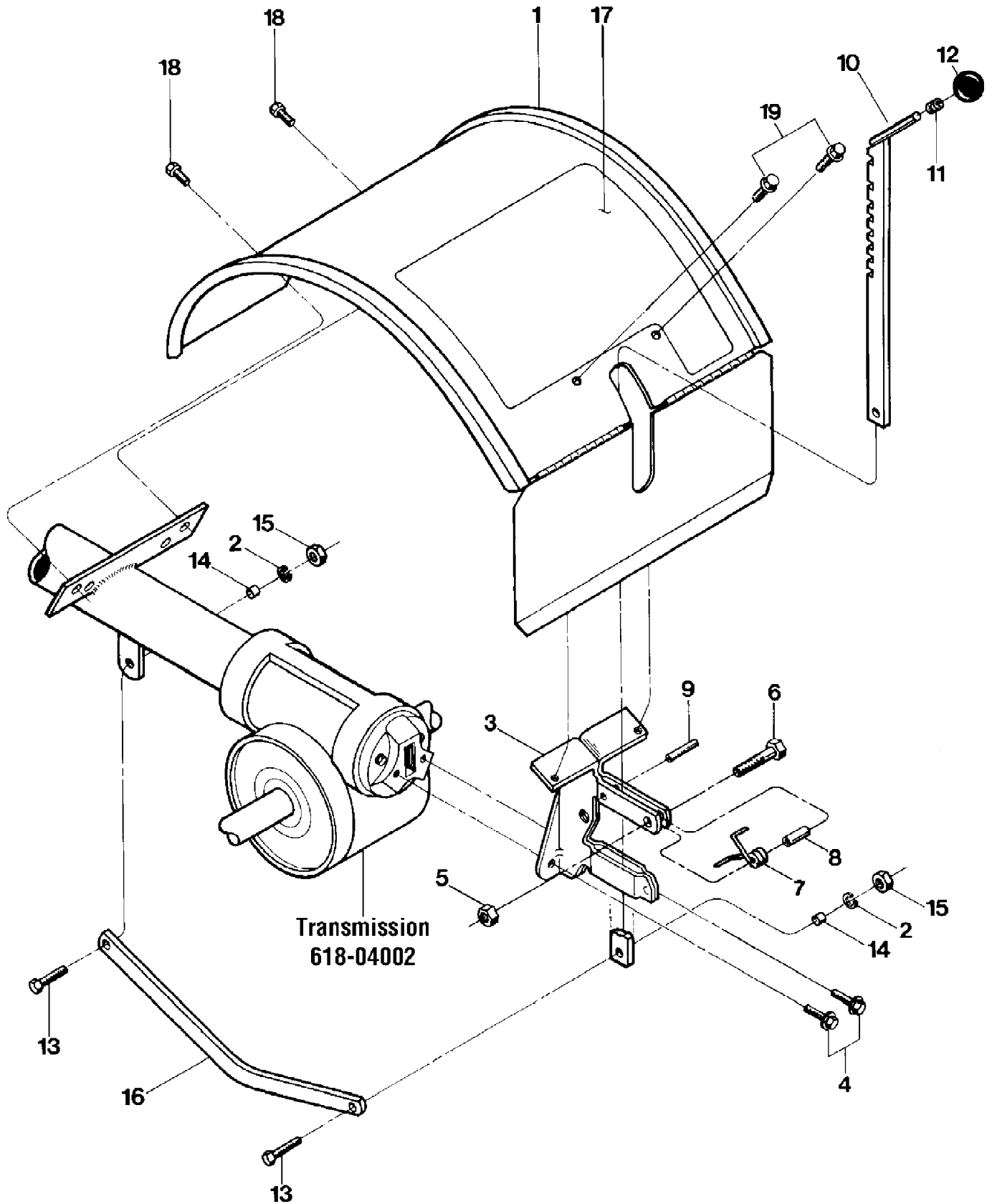
Page 11 of 19

Ref #	Part Number	Qty	S/P/F	Description
47	1767754	1	/P	Screw, self tapping, #10-24
48	1916727	1	/P	Spring
49	712-3000	1	S	Hex Locknut, 5/16-18
50	GW-9090	1	S	Idler Pulley, Forward
51	710-0347	1	/P	Screw, 3/8-16 x 1-3/4
52	712-0158	1	S	Hex Lock Nut, 5/16-18
53	1754128	1	/P	Screw, 1/4-20 x 3/4
54	736-0463	1	S	Flat Washer-1/4



Ref #	Part Number	Qty	S/P/F	Description
1	1918801	1	S	Handlebars
2	GW-9126	2	S	Grip
3	777I22088	1	S	Decal, Control Panel
3A	777D05553	1		Decal, Model Name/Logo
4	1916784	1	S	Reverse Clutch Control Cable
5	1186347	1	S	Height Adjustment Screw
5A	GW-9955	1	S	Washer, Keyed
6	1900475	1	S	Bracket, Handlebar Height Adjustment
7	710-0514	2	/P	Hex Hd. Screw, 3/8-16 x 1 Specify GRADE 5 if ordering part locally.
8	736-3050	2	/P	Washer, Plain (flat) 3/8, S.A.E.
9	712-3000	2	S	Hex Locknut, 3/8-16
10	746-04027	1	S	Cable, Forward Clutch Control
13	GW-9442	1	S	Wheel Gear Control and Cable Assy
14	GW-9057	1	/P	Knob, Wheel Gear Control Lever
15	1186211	2	/P	Hex Nut, 5/16-24
16	GW-90064	2		Hex Hd. Screw, 3/8-16 x 5/8 Specify GRADE 5 if ordering part locally.
17	736-0169	2	S	Lockwasher, 3/8
19	725-0157	2	/P	Cable Ties, Plastic
21	1114748	6	/P	Round Hd. Screw, #10-32 x 1/2
22	1100240	2	/P	Lockwasher, #10
23	1186208	2	/P	Hex Nut, #10-32
24	GW-9390	2	/P	Grip
25	1918802	1	S	Bail, Forward Clutch Control
35	GW-9853	4	/P	Sems Nut
36	GW-20806	2	/P	Bracket, Bail Support
42	710-0599	2	/P	Hex Flange Screw, self-tapping, 1/4-20 x 1/2 Specify GRADE 5 if ordering part locally.

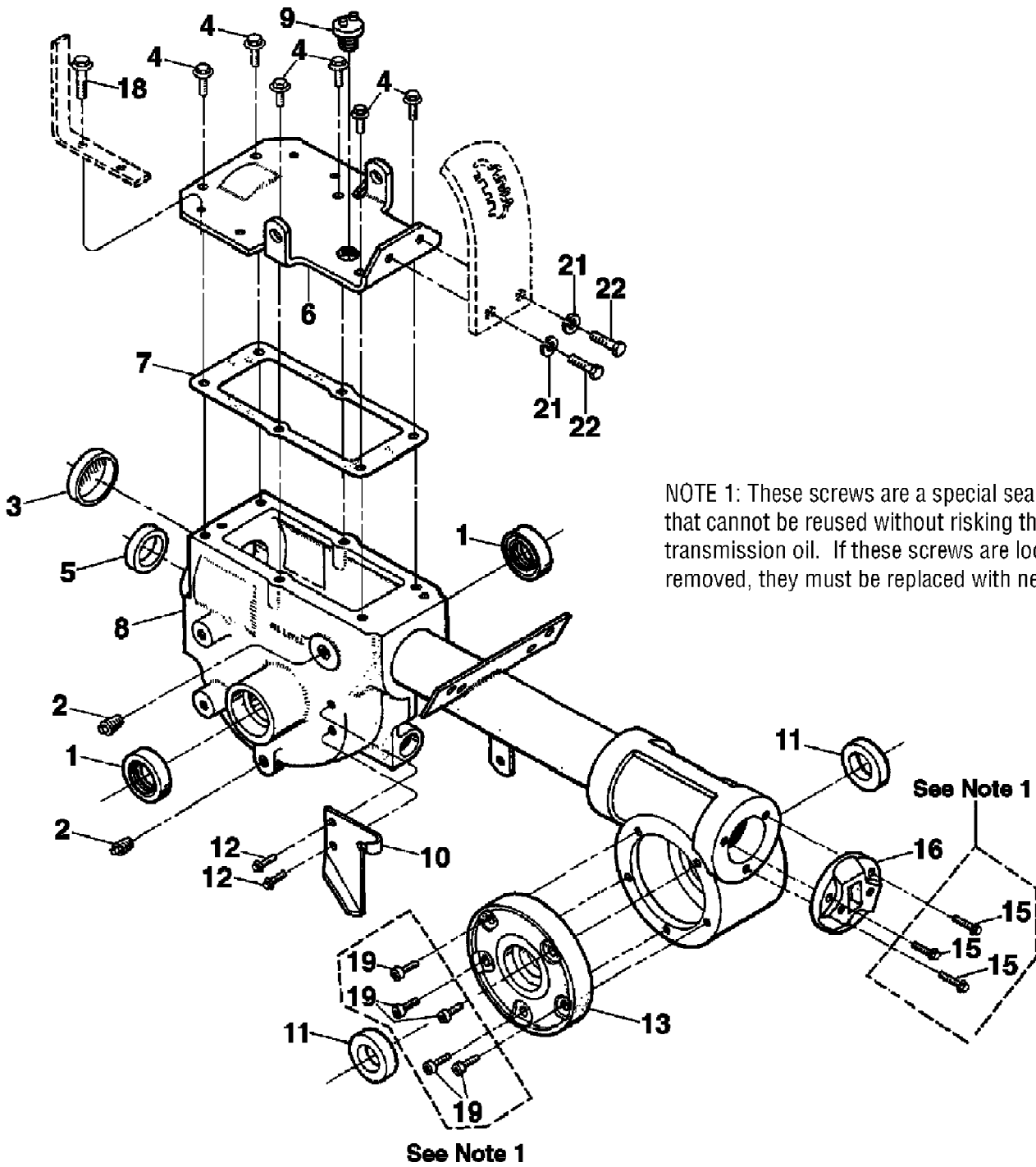
21AE666M766 Pony Roto-Tiller (2005)
Hood, Bracket And Depth Regulator



21AE666M766 Pony Roto-Tiller (2005)
Hood, Bracket And Depth Regulator

Page 15 of 19

Ref #	Part Number	Qty	S/P/F	Description
1	686-04013	1		Tine Hood (Incl. hood flap and Ref.17)
2	710-0169	2	S	Lockwasher, 3/8
3	GW-2527	1	/P	Bracket-hood & depth regulator (Incl. Ref. No. 9)
4	710-04049	2	/P	Hex Flange Screw, 5/16-18 x 5/8 Specify GRADE 5 if ordering part locally.
5	712-0291	1	S	Hex Locknut, 1/4-20
6	710-0597	1	/P	Hex Hd. Screw, 1/4-20 x 1 Specify GRADE 5 if ordering part locally.
7	GW-9384	1	S	Spring
8	GW-9534	1	/P	Spacer
9	1185469	1	S	Roll Pin (spiral), 1/4 x 1
10	GW-1117A	1	S	Depth Adjustment Bar Assembly (Incl. Refs. 11 and 12)
11	GW-9120	1	/P	Retaining Ring (tolerance ring)
12	GW-9119	1	/P	Knob, Depth Regulator
13	710-3005	2	/P	Hex Hd. Screw, 3/8-16 x 1-1/4 Specify GRADE 5 if ordering part locally.
14	GW-1113-1	2	S	Bushing, Drag Bar
15	712-3017	2	S	Hex Nut, 3/8-16
16	GW-20775	1	S	Drag Bar
17	777S30649	1	/P	Decal, operating instructions
18	710-0759	2		Hex Hd. Screw, self-tapping, 5/16-18 x 5/8 Specify GRADE 5 if ordering part locally.
19	710-0599	2	/P	Hex Flange Screw, self-tapping, 1/4-20 x 1/2 Specify GRADE 5 if ordering part locally.
618-04002	618-04002	1	S	Transmission



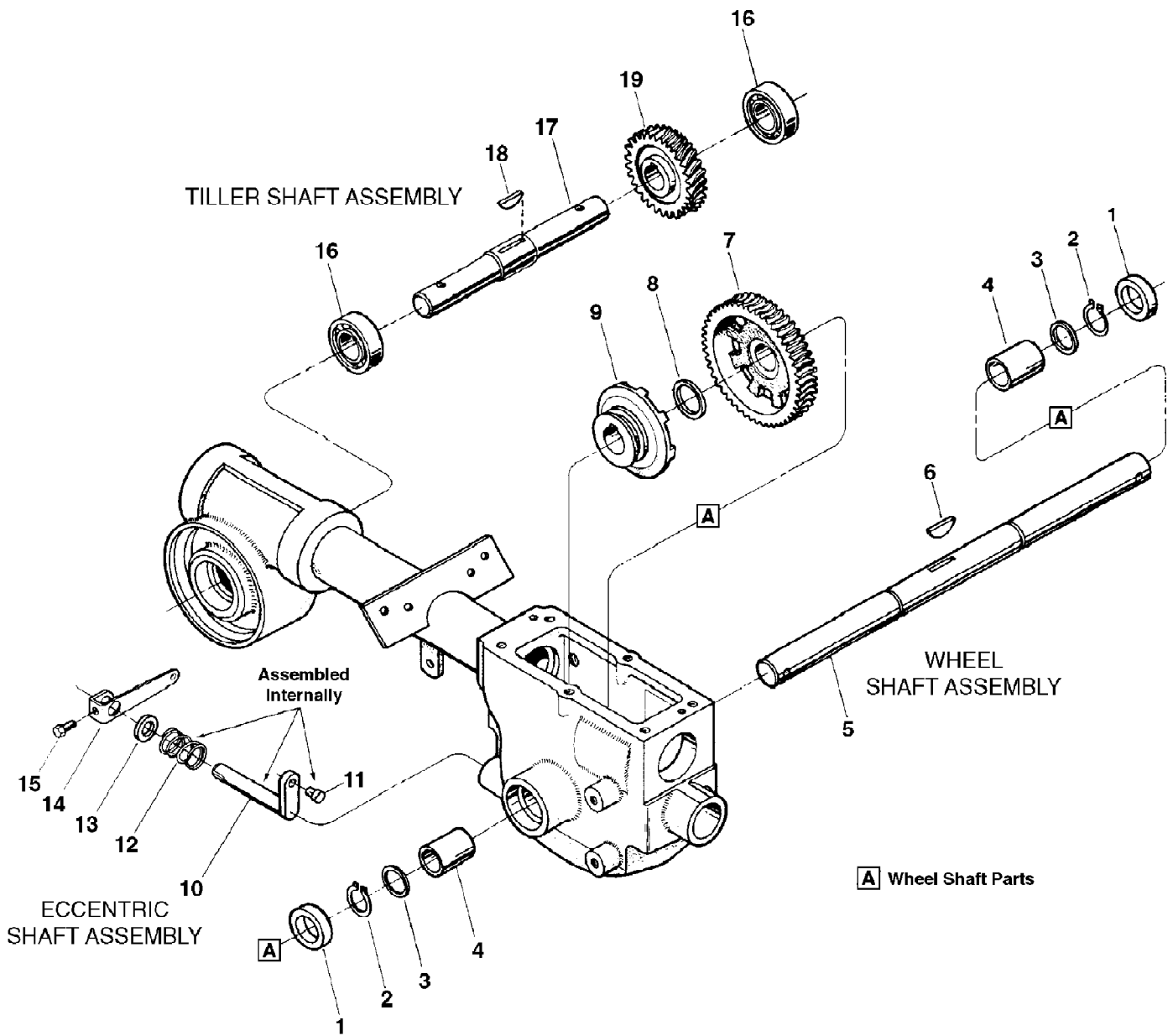
NOTE 1: These screws are a special sealing screw that cannot be reused without risking the loss of transmission oil. If these screws are loosened or removed, they must be replaced with new screws.

21AE666M766 Pony Roto-Tiller (2005)
Transmission

Page 17 of 19

Ref #	Part Number	Qty	S/P/F	Description
1	721-04031	2	S	Oil Seal (Double Lip), Wheel Shaft
2	1105620	2	/P	Pipe Plug, 1/4,
3	721-04001	1	/P	Seal, Transmission Bore
4	1186329	6	S/F	Hex Flange Screw, 5/16-18 x 3/4
5	721-04044	1	S	Oil Seal, Input Pinion Shaft
6	1916193001	1	/P	Transmission Cover (Incl. four Ref. 18 and two ea. Refs. 21 & 22)
7	GW-20694	1	/P	Gasket, Transmission Top Cover
8	619-04010	1	S	Transmission Case Assy. (Incl. Tube and Rear Housing)
9	GW-9467	1	/P	Plug
10	1916198001	1	/P	Mounting Plate, Wheel Clutch Cable
11	721-04035	2	S	Oil Seal, Tiller Shaft
12	1186328	2	S/F	Hex Flange Screw, 5/16-18 x 5/8
13	GW-20873	1	/P	Tiller Housing Cover, left side
	GW-1129-1	1	S	Gasket, Tiller Housing Cover, .010" (fits all covers) A/R
15	1915069	1	/P	Screw Kit: Incl. three 1/4-20 x 7/8 Self-Sealing Screws A/R
16	1900881001	1	S	Rear Bearing Cap
17	GW-1124-2	1	S	Gasket, Rear Bearing Cap, .010" Thick A/R
18	GW-90063	4	/P/F	Hex Flange Screw, 5/16-18 x 1
19	1915068	1	/P	Screw Kit Incl. five 1/4-20 x 5/8 Self-Sealing Screws A/R
21	736-0169	2	S	Lockwasher, 3/8
22	GW-90064	2	F	Hex Hd. Screw, 3/8-16 x 3/4

Wheel Shaft, Eccentric Shaft And Tiller Shaft Assemblies



Wheel Shaft, Eccentric Shaft And Tiller Shaft Assemblies

Ref #	Part Number	Qty	S/P/F	Description
1	721-04031	2	S	Oil Seal
2	1909950	2	S	Retaining Ring (heavy-duty, external)
3	GW-1166-1	A/R	S	Shim, 1-1/64 I.D., .062" thick As Required
	GW-1166-2	A/R	/P	Shim, as above, but .030" thick As Required
	GW-1166-3	A/R	/P	Shim, as above, but .015" thick As Required
	GW-1166-4	A/R	S	Shim, as above, but .010" thick As Required
4	GW-1086	2	S	Bushing
5	GW-2494	1	S	Wheel Shaft
6	GW-9373	1	/P	Hi-Pro Key, 1/4 x 1-5/16
7	GW-20914	1	/P	Wheel Drive Worm Gear (cast-iron)
8	GW-9935	1	/P	Shim (between key and gear), 1.016 I.D. x 1.468 O.D. x .062 Thick
9	GW-20712	1	/P	Wheel Drive Clutch (cast-iron)
10	611-04002	1	/P	Eccentric Shaft
11	GW-1442	1	S	Pin, Eccentric Shaft
12	GW-9055	1	/P	Spring
13	721-04034	1	S	Oil Seal
14	786-04001	1	/P	Eccentric Shaft Lever
15	710-3013	1	/P	Hex Hd. Screw, 1/4-20 x 1/2 Specify GRADE 5 if ordering part locally.
16	741-3037	2	S	Ball Bearing
17	711-04080	1	S	Tiller Shaft
18	GW-1104	1	/P	Woodruff Key, 1/4 x 1-1/4
19	GW-20913	1	/P	Tiller Drive Worm Gear (bronze)