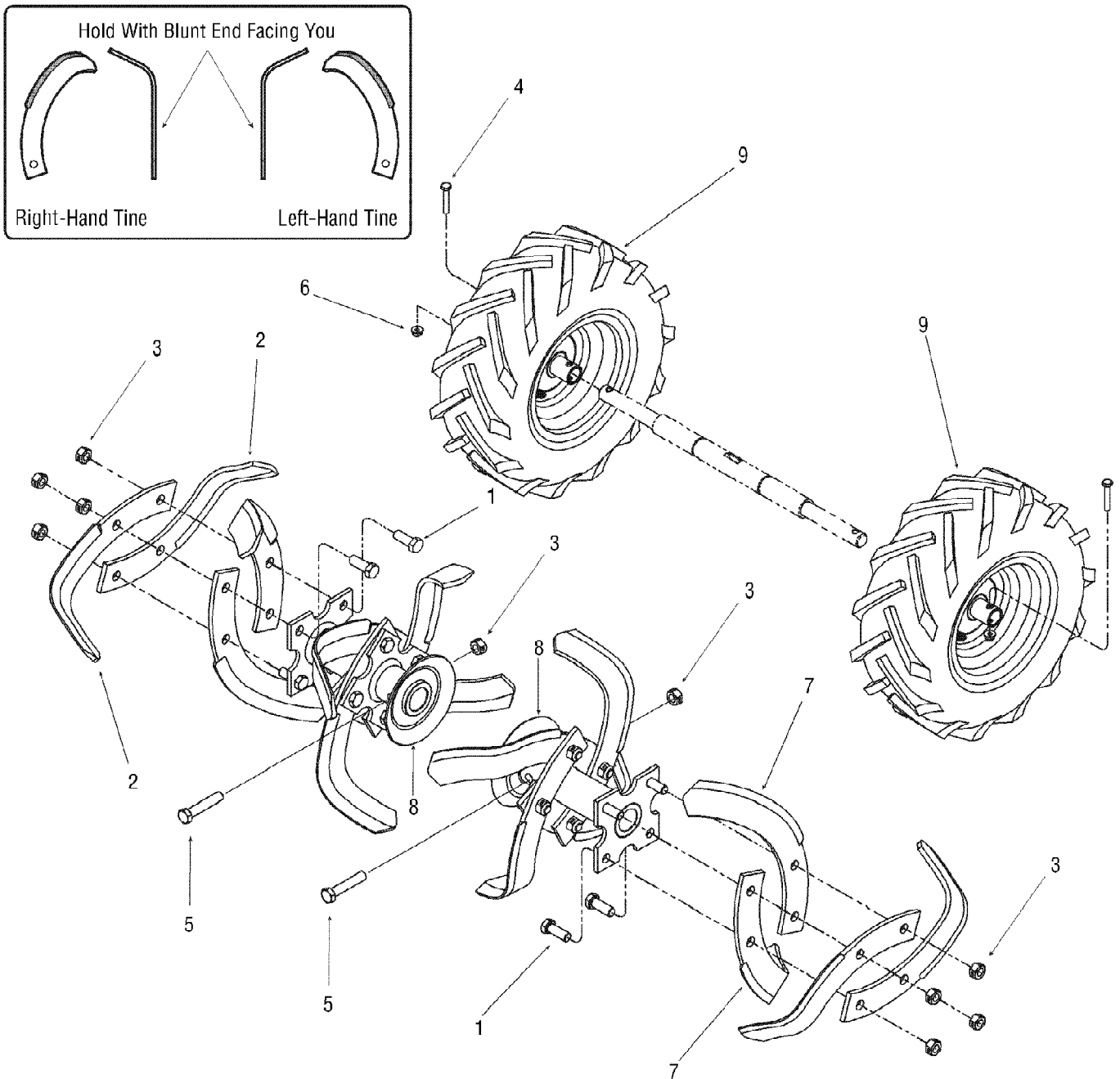


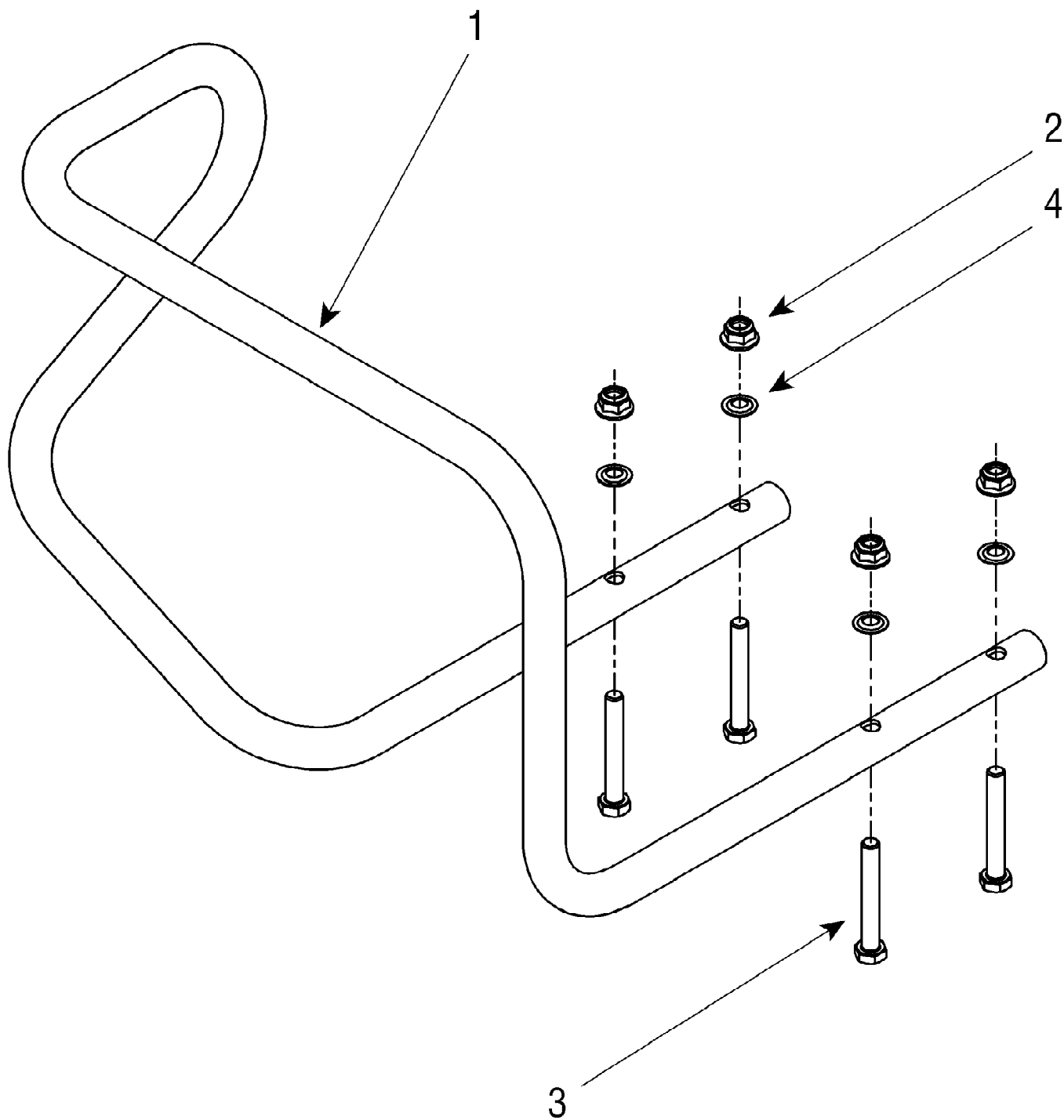
21AE663E766 6.5HP Elec Roto-Tiller (2006)
Bolo Tines, Wheels



21AE663E766 6.5HP Elec Roto-Tiller (2006)
Bolo Tines, Wheels

Page 2 of 21

| Ref # | Part Number | Qty | S/P/F | Description |
|-------|-------------|-----|-------|---|
| 1 | 710-0514 | 16 | /P | Hex Hd. Screw, 3/8-16 x 1 (Specify Grade 5 if ordering part locally.) |
| 2 | 742-04119 | 8 | S | Bolo Tine-single. Left hand tine |
| 3 | 712-3000 | 18 | S | Hex Locknut, 3/8-16 |
| 4 | 710-0606 | 2 | /P | Hd. Screw, 1/4-20 x 1.5 |
| 5 | 710-3096 | 2 | /P | Hex Hd. Screw, 3/8-16 x 2, Grade 8 |
| 6 | 712-04064 | 2 | /P | Hex Locknut, Flange, 1/4-20 |
| 7 | 742-04118 | 8 | S | Bolo Tine-single. Right hand tine |
| 8 | 1902154 | 2 | S | Tine Holder. For left and right sides |
| 9 | 634-04232 | 2 | S | Wheel Assembly, 13 x 5 x 6 |
| | 1901118 | 1 | S | Bolo Tine Replacement Set (Includes 8 each right hand and left hand tines, and 16 each Refs. 1 and 3) |
| | GW-2475-1 | 8 | S | Custom Tilling Bolo Tine, Left hand tine. See note |
| | GW-2475-2 | 8 | S | Custom Tilling Bolo Tine, Right hand tine. See note |
| | GW-10802 | 1 | /P/F | Custom Tilling Bolo Tine Replacement Set (Incl. 8 each right hand left hand custom tines, and 16 each of Refs 1 and 3) See note |

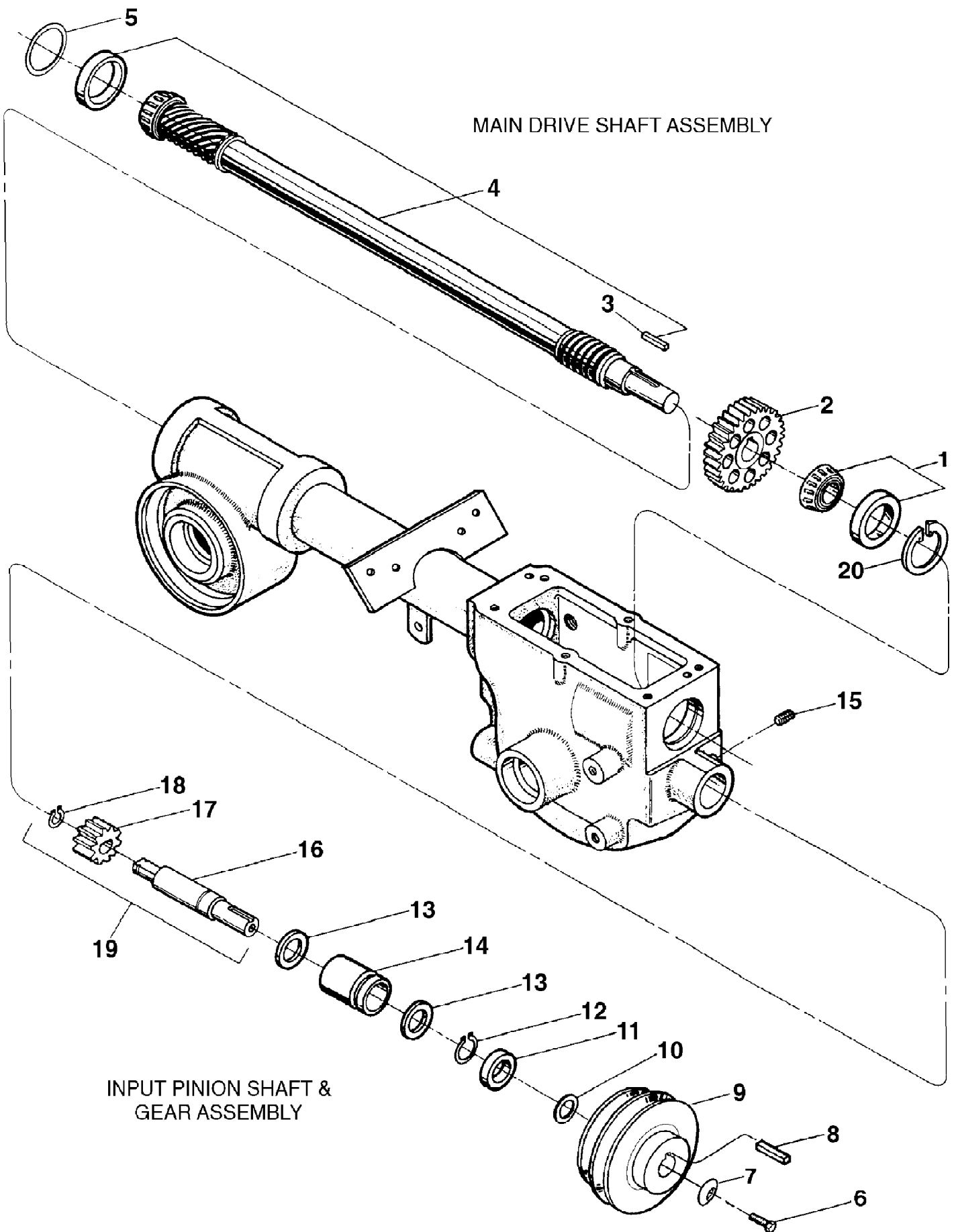


21AE663E766 6.5HP Elec Roto-Tiller (2006)
Bumper Attachment

Page 4 of 21

| Ref # | Part Number | Qty | S/P/F | Description |
|-------|-------------|-----|-------|---|
| 1 | 749-04193 | 1 | S | Bumper |
| 2 | 712-04063 | 4 | /P | Lock Nut-Hex, Nylon, 5/16-18 (specify Grade 5 if ordering part locally) |
| 3 | 710-0395 | 4 | /P | Screw-hex hd., 5/16-18 x 2 1/4 |
| 4 | 736-0119 | 4 | S | Lockwasher-5/16 |
| 5 | 712-04063 | 4 | /P | Lock Nut-Hex, Nylon, 5/16-18 (specify Grade 5 if ordering part locally) |

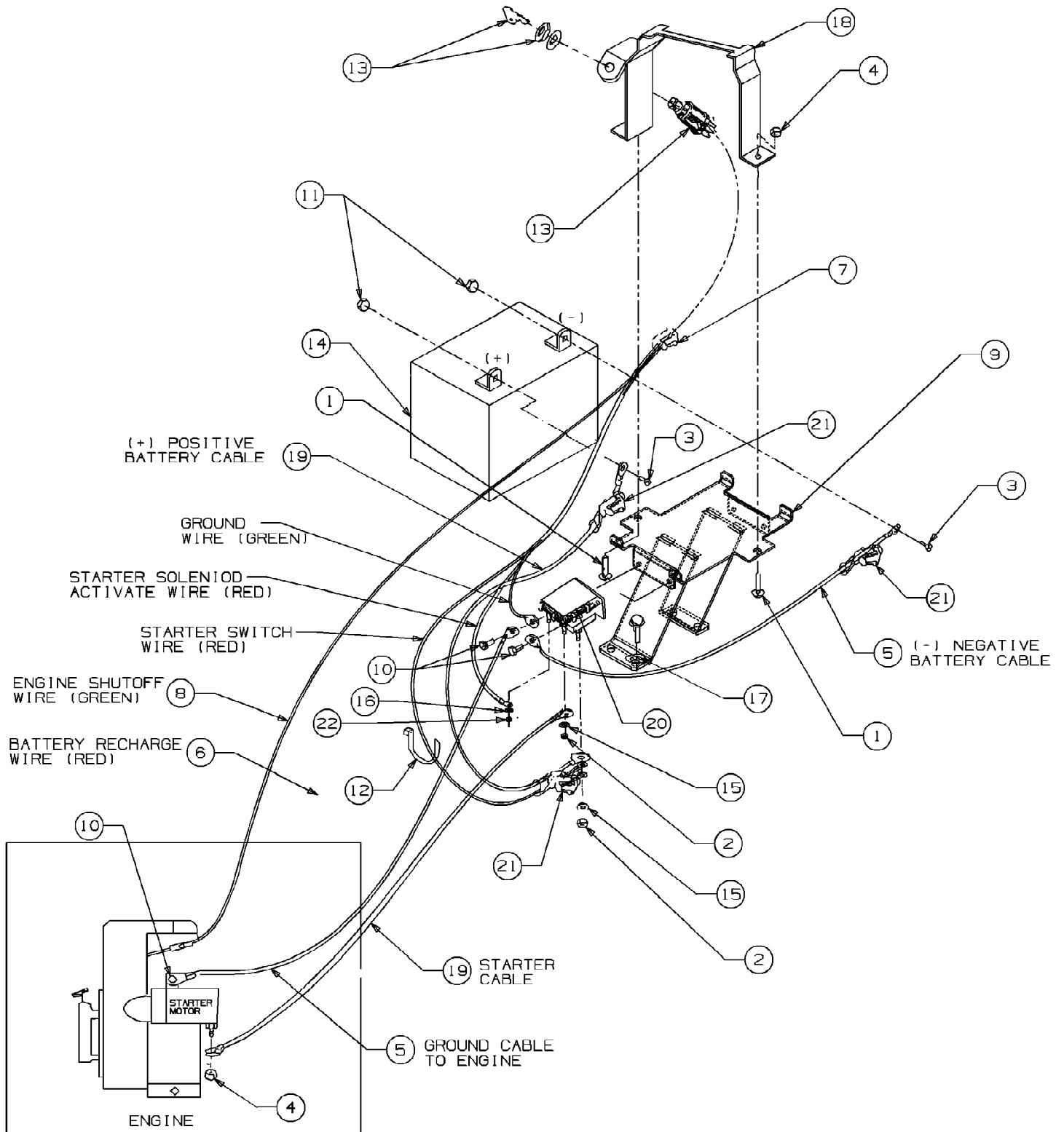
21AE663E766 6.5HP Elec Roto-Tiller (2006)
Drive Shaft, Input Pinion Shaft and Gear Assemblies



21AE663E766 6.5HP Elec Roto-Tiller (2006)
Drive Shaft, Input Pinion Shaft and Gear Assemblies

Page 6 of 21

| Ref # | Part Number | Qty | S/P/F | Description |
|-------|-------------|-----|-------|---|
| 1 | GW-1714 | 1 | S | Bearing, Tapered Roller with Race |
| 2 | GW-20718 | 1 | S | Spur Gear |
| 3 | GW-9301 | 1 | S | Key, 3/16 sq x 1 |
| 4 | GW-20912 | A/R | F | Main Drive Shaft |
| 5 | GW-1224-1 | A/R | S/F | Shim, Rear Bearing Cap, .010" |
| 5 | GW-1224-2 | A/R | S/F | Shim, same as above, but .030" thick |
| 5 | GW-1224-3 | A/R | S/F | Shim, same as above, but .005 thick |
| 5 | GW-1325C | A/R | /P | Shim Set (Incl. two 1224-2 and one GW-1224-3) |
| 6 | 710-04458 | 1 | S | Hex Hd. Screw, 5/16-24 x 1-1/8 (Specify GRADE 5 if ordering part locally) |
| 7 | 736-04193 | 1 | /P | Washer, Disc Spring (concave surface faces pulley) |
| 8 | 714-04042 | 1 | S | Key, 3/16 sq x 1-1/2 |
| 9 | 1916522 | 1 | S | Transmission Drive Pulley |
| 10 | 736-04079 | 1 | /P | Support Washer |
| 11 | 721-04044 | 1 | S | Oil Seal, Input Pinion Shaft |
| 12 | 1113527 | 1 | S | Retaining Ring (external) |
| 13 | GW-9953 | 2 | /P | Thrust Washer |
| 14 | GW-9428 | 1 | /P | Bushing |
| 15 | GW-9677 | 1 | /P | Set Screw, 5/16-18 x 3/8 (Specify GRADE 5 if ordering part locally) |
| 16 | GW-20791 | 1 | /P | Input Pinion (steel shaft) |
| 17 | GW-20792 | 1 | S | Input Pinion Gear |
| 18 | GW-9093 | 1 | /P | Retaining Ring (external) |
| 19 | GW-20799 | A/R | /P | Pinion Assy. (Incl. One each refs. 16, 17 & 18) |
| 20 | GW-9517 | 1 | S | Retaining Ring (internal) |

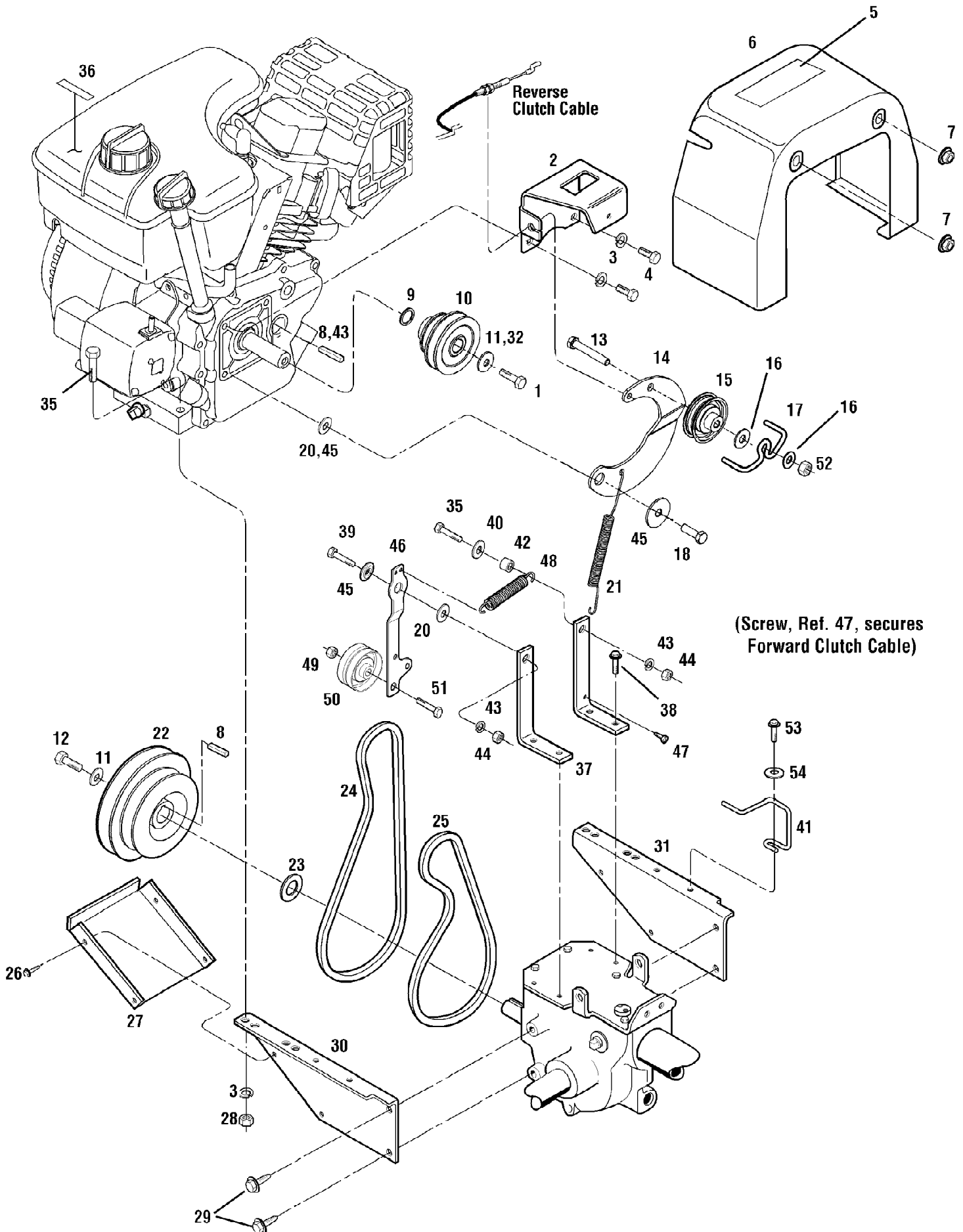


21AE663E766 6.5HP Elec Roto-Tiller (2006)
Electrical Start Assembly

Page 8 of 21

| Ref # | Part Number | Qty | S/P/F | Description |
|-------|-------------|-----|-------|---|
| 1 | 1186073 | 2 | /P | Carriage Screw, 1/4-20 x 1.25 |
| 2 | 1186211 | 2 | /P | Hex Nut, 5/16-24 |
| 3 | 1186309 | 2 | /P | Flange Screw, 1/4-20 x .625 |
| 4 | 1186389 | 2 | /P | Hex Locknut, 1/4-20 |
| 5 | 1901202 | 2 | /P | Cable (ground wire to starter motor bracket) |
| 7 | 725-04346 | 2 | F | Wire Harness Assy. (available as complete assembly only). |
| 8 | 1917262 | 1 | /P | Ground Wire Assy. (shut off) |
| 9 | 686-04024 | 1 | S | Battery Bracket Assembly, Pony |
| 10 | 710-0599 | 3 | /P | Self-tapping Screw, 1/4-20 x .5 |
| 11 | 712-3006 | 2 | /P | Hex Nut, 1/4-20 |
| 12 | 725-0157 | 1 | /P | Cable Tie |
| 13 | 725-0267B | 1 | S | Ignition Switch |
| 14 | 725-1706A | 1 | S | Battery, 270 CCA |
| 15 | 736-0119 | 2 | S | Lock Washer |
| 16 | 736-0147 | 1 | S | Lock Washer, #10 |
| 17 | 736-0607 | 2 | /P | External Lock Washer 5/16 |
| 18 | GW-2614 | 1 | S | Keyswitch Clamp |
| 19 | GW-96510 | 1 | /P | Cable (solenoid to starter motor) |
| 20 | GW-96514 | 1 | S | Solenoid (Incl. nuts and washers for cables and wires) |
| 21 | GW-97020 | 2 | /P | Boot, Insulating |
| 22 | GW-9853 | 1 | /P | Locknut, #10-32 |
| | 777S30648 | 1 | /P | Label, Ignition Switch |

21AE663E766 6.5HP Elec Roto-Tiller (2006)
Engine, Support Brackets, Pulleys, Belt, Belt Cover



21AE663E766 6.5HP Elec Roto-Tiller (2006)
Engine, Support Brackets, Pulleys, Belt, Belt Cover

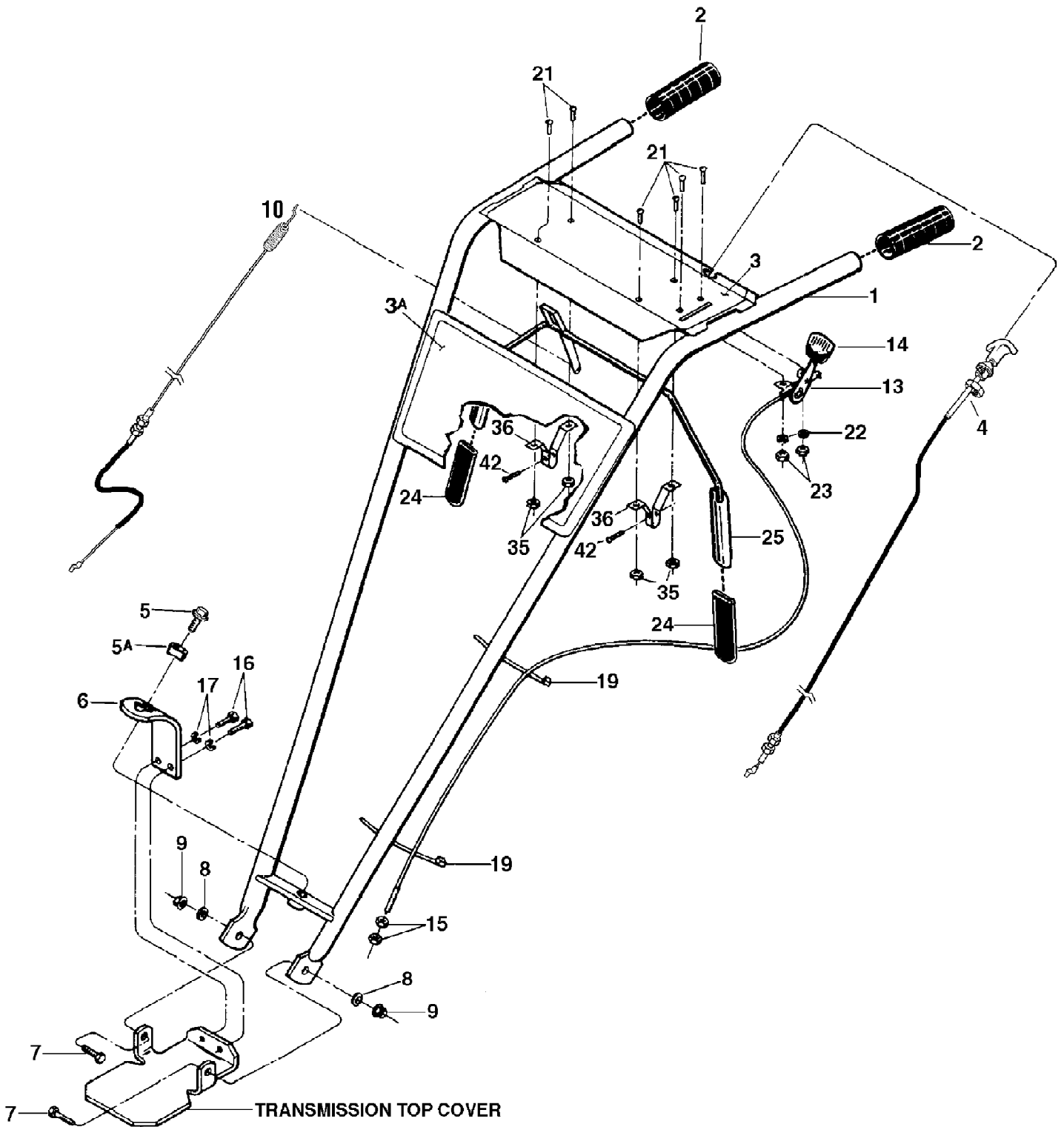
Page 10 of 21

| Ref # | Part Number | Qty | S/P/F | Description |
|-------|-------------|-----|-------|---|
| 1 | 710-0539 | 1 | /P | Screw, 3/8-24 x 1.75 (for Models 663E & E663E) |
| 1 | 710-04458 | 1 | S | Screw, 5/16-24 x 1.125 (for model 665B) |
| 2 | 786-04070 | 1 | S | Bracket, Clutch Cable |
| 3 | 736-0119 | 6 | S | Lockwasher 5/16 |
| 4 | 710-0107 | 2 | /P | Hex Hd. Screw, 5/16-24 x 1/2 |
| 5 | 777S30651 | 1 | | Decal, Hot Surfaces/Belt Warning |
| 6 | 731-05290 | 1 | /P | Cover |
| 7 | 712-3004A | 2 | /P | Flange Lock Nut, 5/16-18 |
| 8 | 714-04042 | 1 | S | Key, 3/16 x 1-1/2 (for model 665B) |
| 9 | 736-04187 | 1 | /P | Shim |
| 10 | 619-04015 | 1 | S | Pulley, Engine Drive (for Models 663E & E663E) |
| 10 | 619-04130 | 1 | /P | Pulley, Engine Drive (for model 665B) |
| 11 | 736-04193 | 2 | /P | Belleville Washer (for model 665B) |
| 12 | 710-04458 | 1 | S | Hex Hd. Screw, 5/16-24 x 1-1/8 |
| 13 | 710-3103 | 1 | /P | Hex Hd. Screw, 5/16-18 x 2 |
| 14 | 786-04276 | 1 | /P | Reverse Idler Arm |
| 15 | 756-04169 | 1 | S | Pulley, Reverse Idler |
| 16 | 736-0159 | 2 | S | Flat Washer, 5/16 |
| 17 | 732-04081 | 1 | /P | Belt Guide, Wire Formed |
| 18 | 710-0117 | 1 | S | Hex Head Screw, 5/16-24 x 1 |
| 19 | 748-04087 | 1 | S | Washer, Shoulder |
| 20 | 736-3078 | 3 | /P | Washer, Flat 1-1/8 |
| 21 | 732-04077 | 1 | /P | Spring, Reverse Return |
| 22 | 619-04123 | 1 | /P | Transmission Pulley |
| 23 | 736-04079 | 1 | /P | Support Washer |
| 24 | 754-04095 | 1 | S | Reverse Clutch Belt |
| 25 | 754-04094 | 1 | S | Forward Clutch Belt |
| 26 | 710-04459 | 4 | S | Self-tapping Screw #10-32 x 1/2 |
| 27 | 786-04080 | 1 | S | Guard, Belts/Pulleys |
| 28 | 712-04063 | 4 | /P | Hex Flange Nut, 5/16-18 (specify GRADE 5 if ordering part locally) |
| 29 | 710-04043 | 4 | /P | Hex Flange Screw, 5/16-18 |
| 30 | 786-04066 | 1 | S | Engine Support Bracket, left side |
| 31 | 786-04067 | 1 | S | Engine Support Bracket, right side |
| 32 | 736-0452 | 1 | S | Bell Washer (for Models 663E & E663E) |
| 35 | 710-0395 | 5 | /P | Hex Hd. Screw, 5/16-18 x 2-1/4 |
| 36 | 777I20358 | 1 | | Decal, Stabilization |
| 37 | 786-04277 | 2 | S | Mounting Bar |
| 38 | 710-1260 | 4 | S | Hex Flange 5/16-18 x .75 |
| 39 | 710-0805 | 1 | /P | Hex Hd. Screw, 5/16-18 x 1-1/2 (specify GRADE 5 if ordering part locally) |
| 40 | 736-0275 | 1 | S | Flat Washer, 5/16 |
| 41 | 732-04082 | 2 | /P | Belt Guide, Pony |
| 42 | 750-04160 | 2 | S | Pivot Bushing |
| 43 | 714-04029 | 1 | S | Key, .188 x 1.75 (for Models 663E & E663E) |
| 44 | 712-3010 | 2 | S | Hex Nut, 5/16-18 |
| 45 | 748-04087 | 2 | S | Washer, Shoulder |
| 46 | 786-04275 | 1 | S | Idler Arm, Forward Tiller Direction |
| 47 | 710-04460 | 1 | S/F | Screw, self tapping, #10-24 |

21AE663E766 6.5HP Elec Roto-Tiller (2006)
 Engine, Support Brackets, Pulleys, Belt, Belt Cover

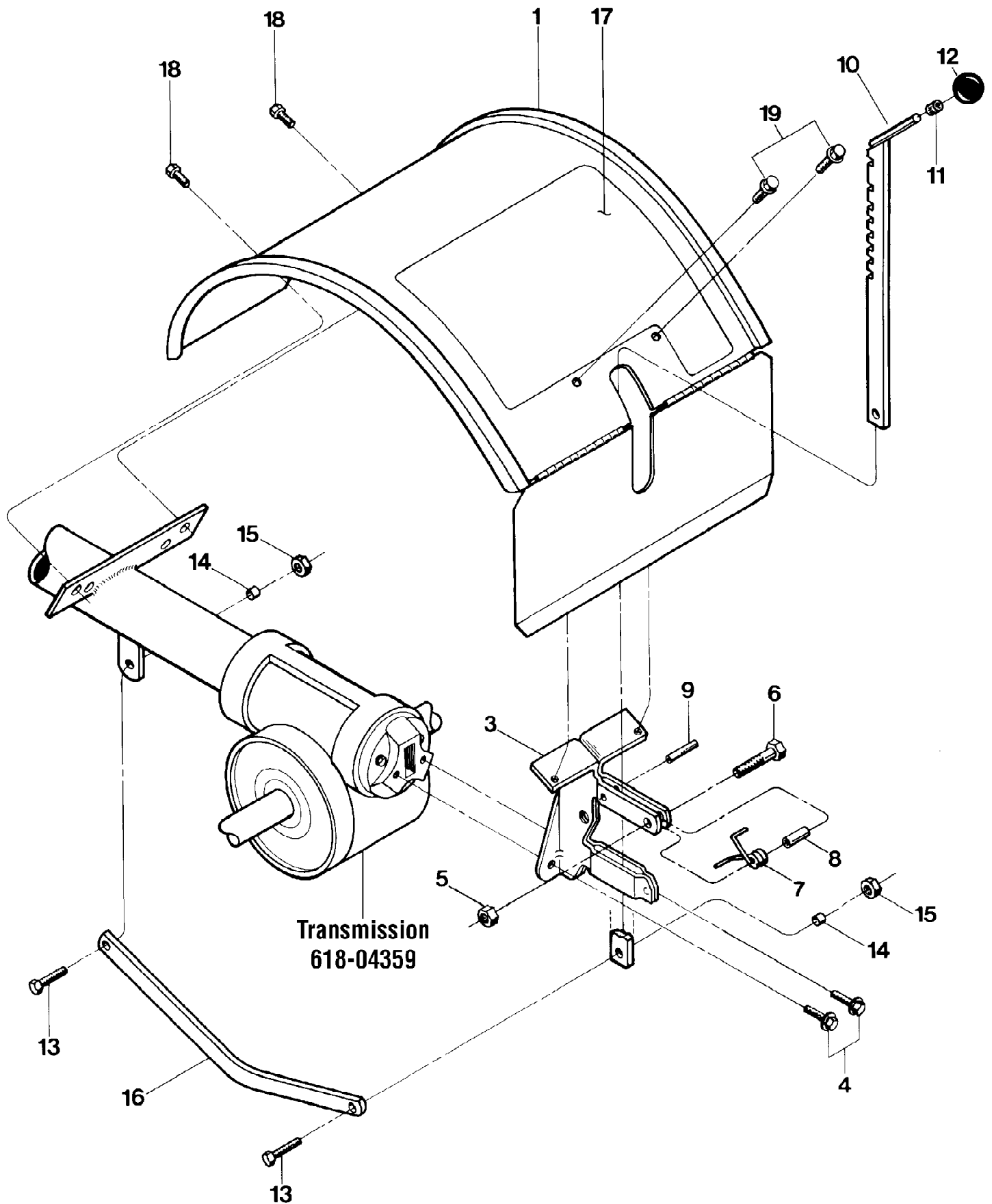
Page 11 of 21

| Ref # | Part Number | Qty | S/P/F | Description |
|-------|-------------|-----|-------|-----------------------|
| 48 | 732-04078 | 1 | S | Spring |
| 49 | 712-3000 | 1 | S | Hex Locknut, 5/16-18 |
| 50 | 756-04170 | 1 | /P | Idler Pulley, Forward |
| 51 | 710-0347 | 1 | /P | Screw, 3/8-16 x 1-3/4 |
| 52 | 712-0158 | 1 | S | Hex Lock Nut, 5/16-18 |
| 53 | 710-04461 | 1 | S | Screw, 1/4-20 x 3/4 |
| 54 | 736-0463 | 1 | S | Flat Washer, 1/4 |



| Ref # | Part Number | Qty | S/P/F | Description |
|-------|-------------|-----|-------|--|
| 1 | 1918801 | 1 | S | Handlebars |
| 2 | GW-9126 | 2 | S | Grip |
| 3 | 777I22624 | 1 | | Decal, Control Panel |
| 3A | 777D09943 | 1 | | Decal, Model Name/Logo (for model 663E) |
| 3A | 777D09940 | 1 | | Decal, Model Name/Logo (for model 665B) |
| 4 | 1916784 | 1 | S | Reverse Clutch Control Cable |
| 5 | 1186347 | 1 | S | Height Adjustment Screw |
| 5A | GW-9955 | 1 | S | Washer, Keyed |
| 6 | 1900475001 | 1 | S | Bracket, Handlebar Height Adjustment |
| 7 | 710-0514 | 2 | /P | Hex Hd. Screw, 3/8-16 x 1 (specify Grade 5 if ordering part locally) |
| 8 | 736-3050 | 2 | /P | Washer, Plain (flat) 3/8, S.A.E. |
| 9 | 712-3000 | 2 | S | Hex Locknut, 3/8-16 |
| 10 | 746-04027 | 1 | S | Cable, Forward Clutch Control |
| 13 | GW-9442 | 1 | S | Wheel Gear Control and Cable Assembly |
| 14 | GW-9057 | 1 | /P | Knob, Wheel Gear Control Lever |
| 15 | 1186211 | 2 | /P | Hex Nut, 5/16-24 |
| 16 | GW-90064 | 2 | | Hex Hd. Screw, 3/8-16 x 5/8 (specify Grade 5 if ordering part locally) |
| 17 | 736-0169 | 2 | S | Lockwasher, 3/8 |
| 19 | 725-0157 | 2 | /P | Cable Ties, Plastic Screw, #10-32 x 1/2 |
| 21 | 1114748 | 6 | /P | Round Hd. Screw #10-32 x 1/2 |
| 22 | 1100240 | 2 | /P | Lockwasher, #10 |
| 23 | 1186208 | 2 | /P | Hex Nut, #10-32 |
| 24 | GW-9390 | 2 | /P | Grip |
| 25 | 1918840 | 1 | /P | Bail w/ Grips, Forward Clutch Control |
| 35 | GW-9853 | 4 | /P | Sems Nut |
| 36 | GW-20806 | 2 | /P | Bracket, Bail support |
| 42 | 710-0599 | 2 | /P | Hex Flange Screw, self-tapping, 1/4-20 x 1/2* |

21AE663E766 6.5HP Elec Roto-Tiller (2006)
Hood, Bracket and Depth Regulator

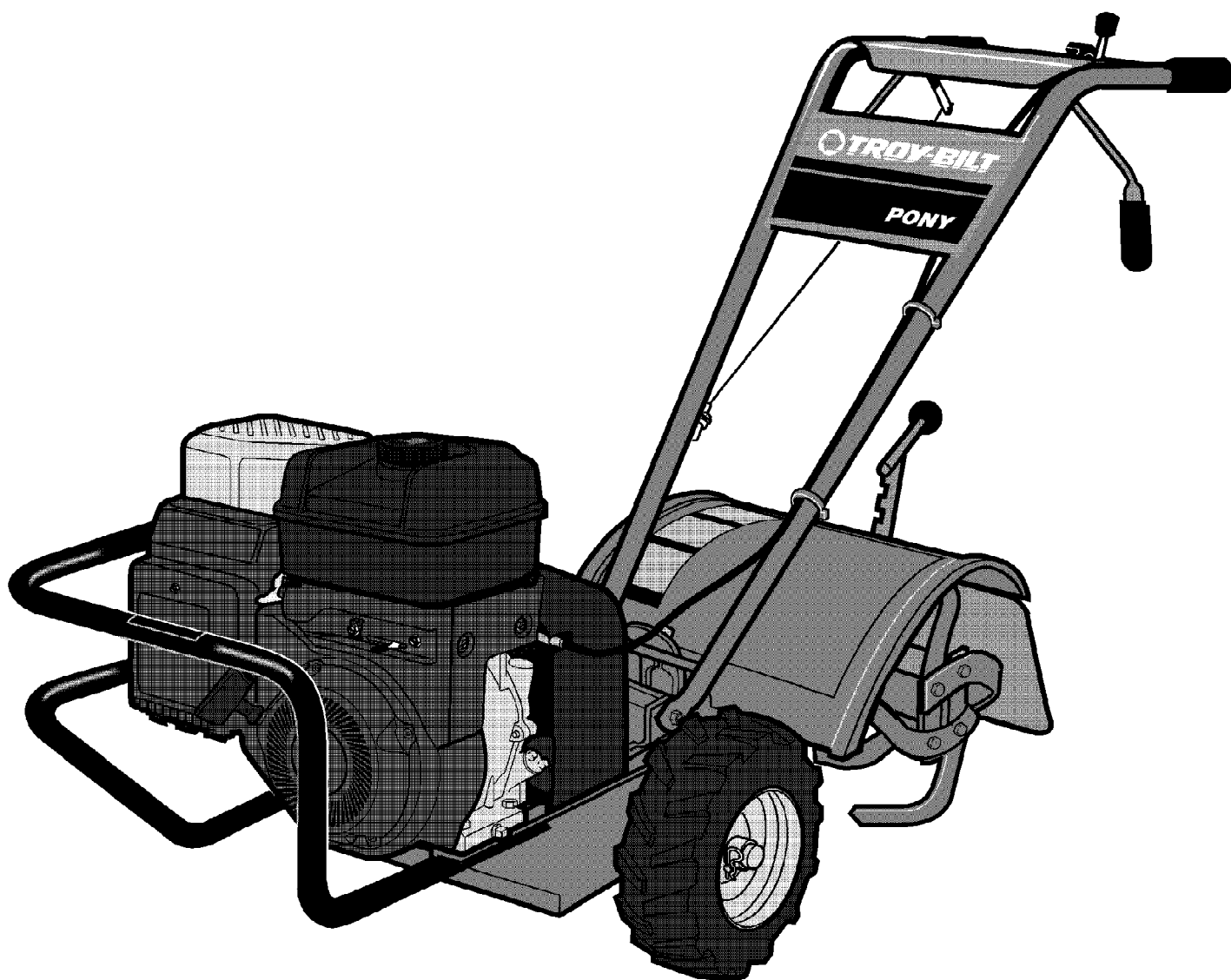


21AE663E766 6.5HP Elec Roto-Tiller (2006)
Hood, Bracket and Depth Regulator

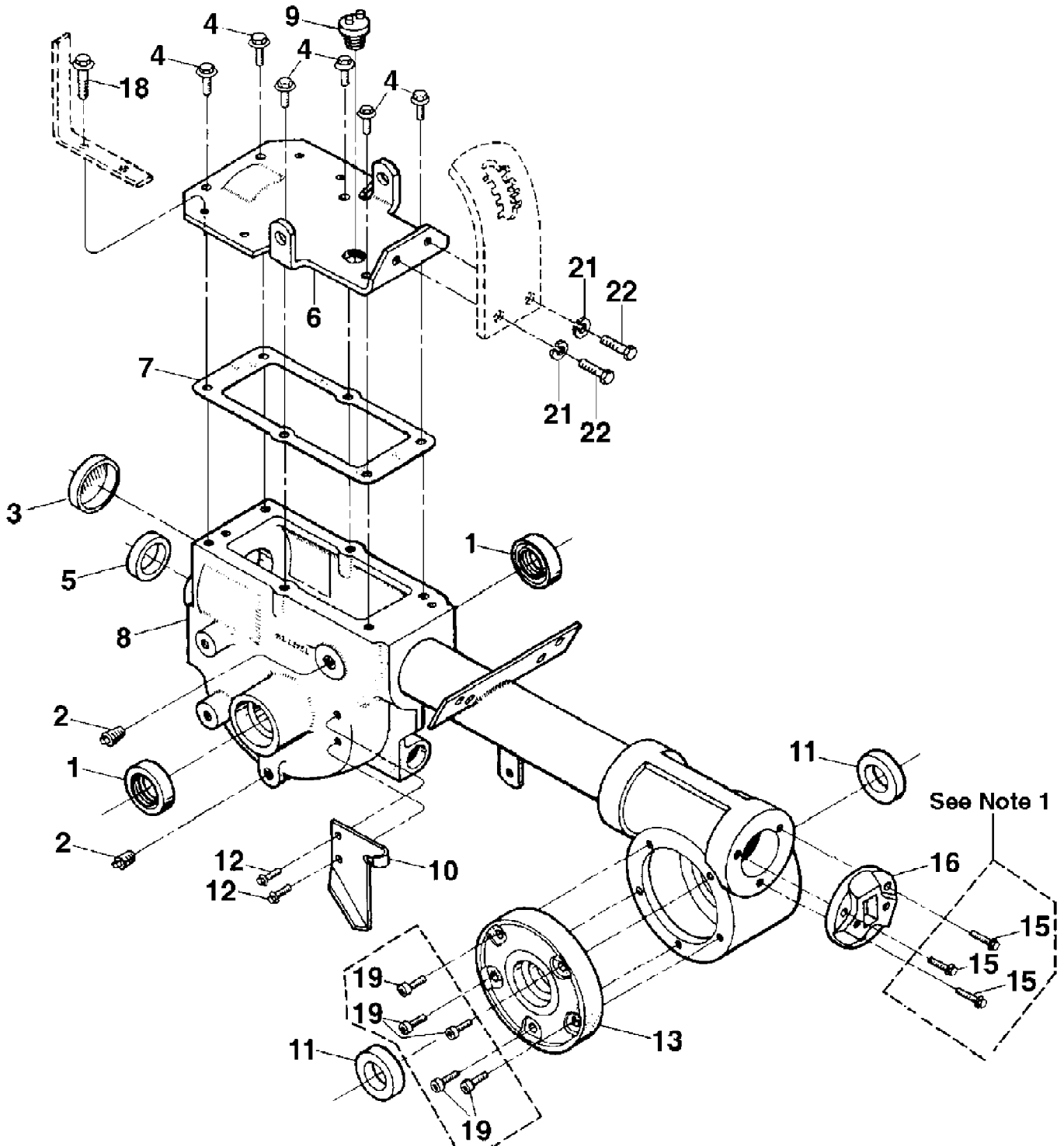
Page 15 of 21

| Ref # | Part Number | Qty | S/P/F | Description |
|-------|-------------|-----|-------|---|
| 1 | 686-04013 | 1 | | Tine Hood |
| 2 | 710-0169 | 1 | S | Lockwasher, 3/8 |
| 3 | GW-1925 | 1 | | Bracket-hood & depth regulator |
| 4 | 710-04049 | 1 | /P | Hex Flange screw 5/16-18 x 5/8 (Specify GRADE 5 if ordering part locally) |
| 5 | 712-04064 | 1 | /P | Hex Locknut, 1/4-20 |
| 6 | 710-0597 | 1 | /P | Hex Hd. Screw, 1/4-20 x 1 |
| 7 | 732-04320 | 1 | /P | Spring |
| 8 | 750-04556 | 1 | | Spacer |
| 9 | 715-04034 | 1 | /P | Roll Pin (spiral), 1/4 x 1 |
| 10 | GW-1117A | 1 | S | Depth Adjustment Bar Assembly (Incl. Refs. 11 and 12) |
| 11 | GW-9120 | 1 | /P | Retaining Ring (tolerance ring) |
| 12 | GW-9119 | 1 | /P | Knob, Depth Regulator |
| 13 | 710-3005 | 1 | /P | Hex Hd. Screw, 3/8-16 x 1-1/4 (Specify GRADE 5 if ordering part locally) |
| 14 | GW-1113-1 | 1 | S | Bushing, Drag Bar |
| 15 | 712-04065 | 1 | /P | Hex Nut, 3/8-16 |
| 16 | GW-20775 | 1 | S | Drag Bar |
| 17 | 777S30649 | 1 | /P | Decal, operating instructions |
| 18 | 710-0759 | 1 | | Hex Hd. Screw, self tapping 5/16-18 x 5/8 (Specify GRADE 5 if ordering part locally) |
| 19 | 710-0599 | 1 | /P | Hex Flange Screw, self tapping, 1/4-20 x 1/2 (Specify GRADE 5 if ordering part locally) |

21AE663E766 6.5HP Elec Roto-Tiller (2006)
Quick Reference Tecumseh



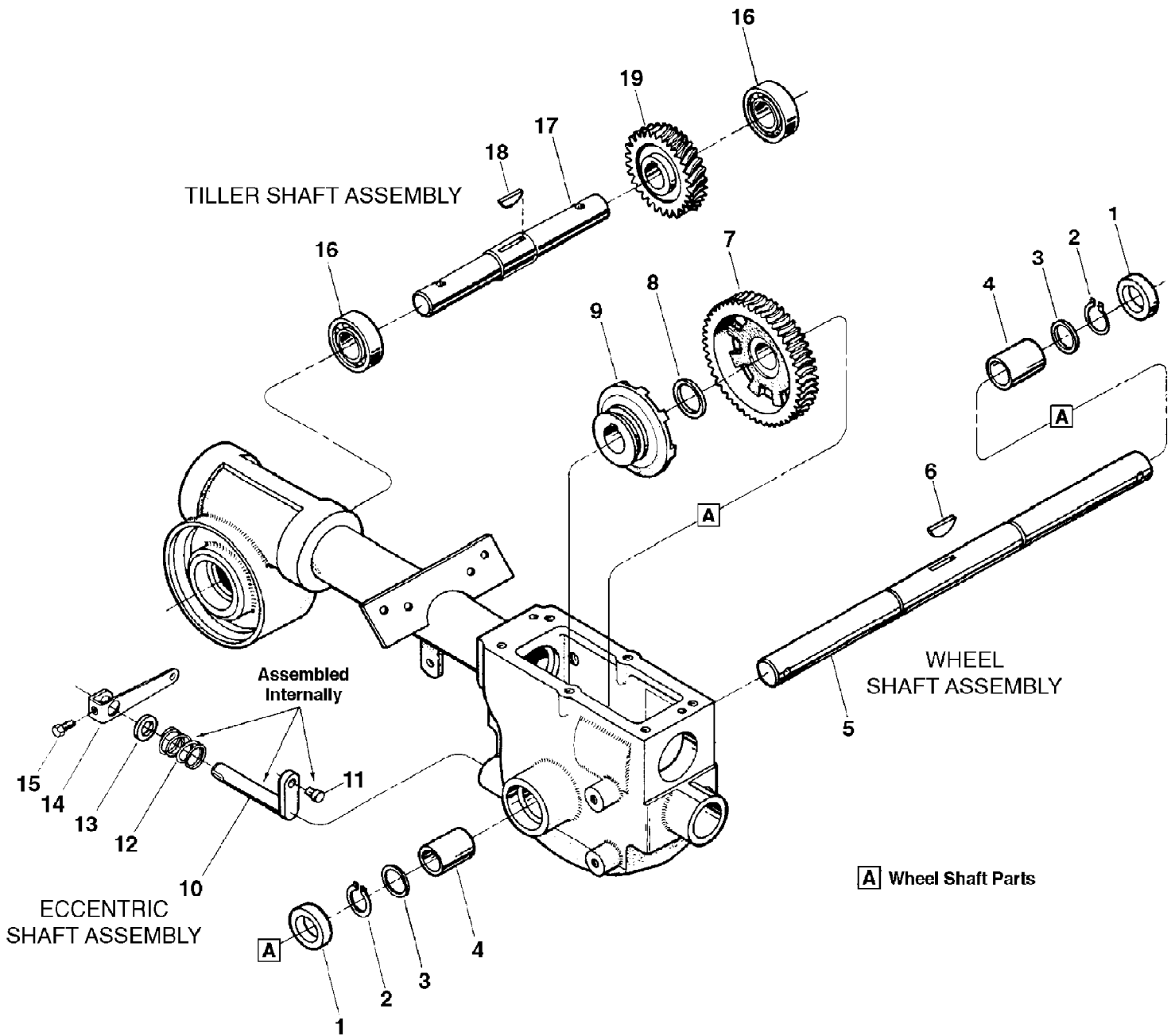
| Ref # | Part Number | Qty | S/P/F | Description |
|-------|-------------|-----|-------|---|
| | TC-34645 | 1 | /P | Spark Plug |
| | TC-36634 | 1 | /P | Pre Filter |
| | TC-36046 | 1 | /P | Air Filter |
| | N/A | 1 | | Fuel Filter |
| | 754-04095 | 1 | S | Drive Belt - FWD |
| | 754-04094 | 1 | S | Drive Belt - REV |
| | 756-04170 | 1 | /P | Idler Pulley |
| | 746-04027 | 1 | S | Clutch Cable - FWD |
| | 1916784 | 1 | S | Clutch Cable - REV |
| | 742-04118 | 1 | S | Tines - LH |
| | 742-04119 | 1 | S | Tines - RH |
| | 1902154 | 1 | S | Tine Holder |
| | N/A | 1 | | Rim |
| | N/A | 1 | | Tire |
| | 634-04232 | 1 | S | Wheel Assembly |
| | GW-9126 | 1 | S | Foam Grip |
| | N/A | 1 | | Shift Control Knob |
| | N/A | 1 | | Handle Knob |
| | 1901118 | 1 | S | Complete Bolo Tine Kit Incl. All Hardware |
| | GW-10802 | 1 | /P | Complete Custom Tine Kit Incl. All Hardware |



21AE663E766 6.5HP Elec Roto-Tiller (2006)
Transmission Housing, Covers, Seals, Gaskets, Plugs

Page 19 of 21

| Ref # | Part Number | Qty | S/P/F | Description |
|-------|-------------|-----|-------|--|
| 1 | 721-04031 | 1 | S | Oil Seal (Double Lip) Wheel Shaft |
| 2 | 1105620 | 2 | /P | Pipe Plug, 1/4, |
| 3 | 721-04001 | 2 | /P | Seal, Transmission Bore |
| 4 | 710-04043 | 1 | /P | Hex Flange Screw, 5/16-18 x 3/4 (Specify GRADE 5 if ordering part locally) |
| 5 | 721-04044 | 6 | S | Oil Seal, Input Pinion Shaft |
| 6 | 1916193001 | 1 | /P | Transmission Cover |
| 7 | GW-20694 | 1 | /P | Gasket, Transmission Top Cover |
| 8 | 619-04010 | 1 | S | Transmission Case Assembly |
| 9 | GW-9467 | 1 | /P | Plug |
| 10 | 1917101001 | 1 | /P | Mounting Plate, Wheel Clutch Cable |
| 11 | 721-04035 | 2 | S | Oil Seal, Tiller Shaft |
| 12 | 710-04049 | 2 | /P | Screw, Hex Flange, 5/16-18 x 5/8 |
| 13 | GW-20873 | 1 | /P | Cover, Tiller Housing |
| 15 | 1915069 | 3 | /P/F | Self-Sealing Screw, 1/4-20 x 7/8" |
| 16 | GW-1115 | 1 | S | Rear Bearing Cap |
| 17 | GW-1124-2 | A/R | S | Gasket, Rear Bearing Cap, .010" |
| 18 | 710-1260A | 4 | /P | Hex Flange Screw, 5/16-18 x 3/4 (Specify GRADE 5 if ordering part locally) |
| 19 | 1915068 | 5 | /P/F | Self-Sealing Screw, 1/4-20 x 5/8" |
| 21 | 736-0169 | 2 | S | Lockwasher, 3/8 |
| 22 | GW-90064 | 2 | | Hex Hd. Screw, 3/8-16 x 5/8 (Specify GRADE 5 if ordering part locally) |



21AE663E766 6.5HP Elec Roto-Tiller (2006)
 Wheel Shaft, Eccentric Shaft and Tiller Shaft Assemblies

Page 21 of 21

| Ref # | Part Number | Qty | S/P/F | Description |
|-------|-------------|-----|-------|--|
| 1 | 721-04031 | 1 | S | Oil Seal |
| 2 | 1909950 | 1 | S | Retaining Ring (heavy duty external) |
| 3 | GW-1166-1 | 1 | S | Shim, 1-1/64 I.D., .062" thick |
| 3 | GW-1166-2 | 1 | /P | Shim, as above, but .030 thick |
| 3 | GW-1166-3 | 1 | /P | Shim, as above, but .015 thick |
| 3 | GW-1166-4 | 1 | S | Shim, as above, but .010 thick |
| 4 | GW-1086 | 1 | S | Bushing |
| 5 | 711-04482 | 1 | S | Wheel Shaft |
| 6 | GW-9373 | 1 | /P | Hi-Pro Key, 1/4 x 1-5/16 |
| 7 | GW-20914 | 1 | /P | Wheel Drive Worm (cast iron) |
| 8 | GW-9935 | 1 | /P | Shim (between key and gear), 1.016 I.D. x 1.468 O.D. x .062 thick |
| 9 | GW-20712 | 1 | /P | Wheel Drive Clutch (cast-iron) |
| 10 | 611-04002 | 1 | /P | Eccentric Shaft |
| 11 | GW-1442 | 1 | S | Pin, Eccentric Shaft |
| 12 | GW-9055 | 1 | /P | Spring |
| 13 | 721-04034 | 1 | S | Oil Seal |
| 14 | 786-04001 | 1 | /P | Eccentric Shaft Lever |
| 15 | 710-3013 | 1 | /P | Hex Hd Screw 1/4-20 x 1/2 (specify grade 5 if ordering part locally) |
| 16 | 741-3037 | 1 | S | Ball Bearing |
| 17 | 711-04080 | 1 | S | Tiller Shaft |
| 18 | GW-1104 | 1 | /P | Woodruff Key, 1/4 x 1-1/4 |
| 19 | GW-20913 | 1 | /P | Tiller Drive Worm Gear (bronze) |