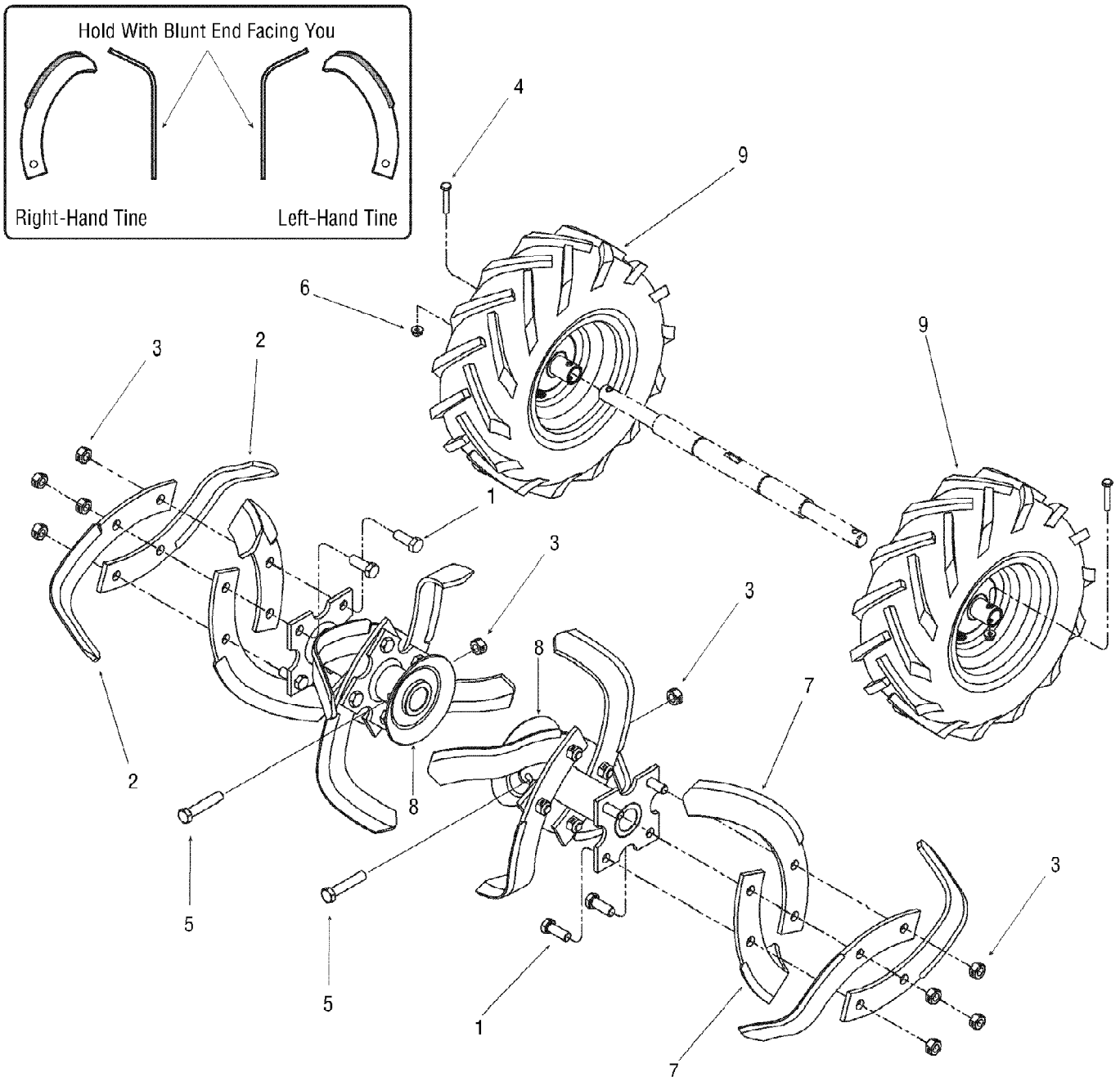


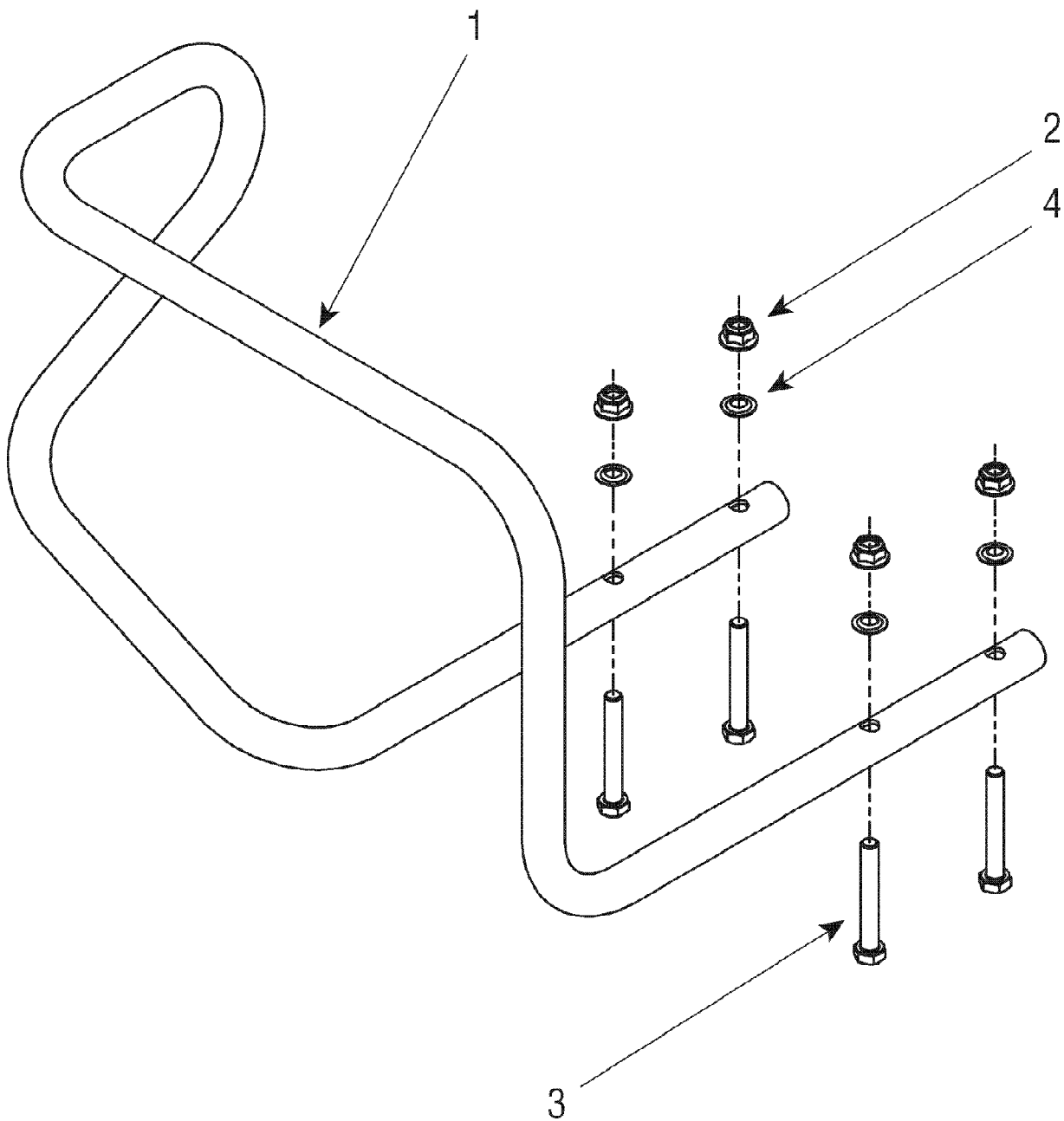
21AE663D266 6.5HP Elec Roto-Tiller (2007)  
Bolo Tines Assembly



21AE663D266 6.5HP Elec Roto-Tiller (2007)  
Bolo Tines Assembly

Page 2 of 21

Ref #	Part Number	Qty	S/P/F	Description
1	710-0514	16	/P	Hex Hd. Screw, 3/8-16 x 1 Specify Grade 5 if ordering parts locally.
2	742-04119	8	S	Bolo Tine-single. Left hand tine
3	712-3000	18	S	Hex Locknut, 3/8-16
4	710-0606	2	/P	Hex Hd. Screw, 1/4-20 x 1.5
5	710-3096	2	/P	Hex Hd. Screw, 3/8-16 x 2, Grade 8
6	712-04064	2	/P	Hex Locknut, Flange, 1/4-20
7	742-04118	8	S	Bolo Tine-single. Right hand tine
8	686-04067	2	/P	Tine Holder. For left and right sides
9	634-04232	2	S	Wheel Assembly, 13 x 5 x 6
	1901118	1	S	Bolo Tine Replacement Set (Incl. 8 ea. RH & LH tines & 16 ea. Refs. 1 & 3)
	GW-2475-1	8	S	Custom Tilling Bolo Tine, LH tine Specify Grade 5 if ordering parts locally.
	GW-2475-2	8	S	Custom Tilling Bolo Tine, RH Specify Grade 5 if ordering parts locally.
	GW-10802	1	/P	Custom Tilling Bolo Tine Replacement Set (Incl. 8 ea. RH & LH custom tines & 16 each of Refs. 1 & 3)

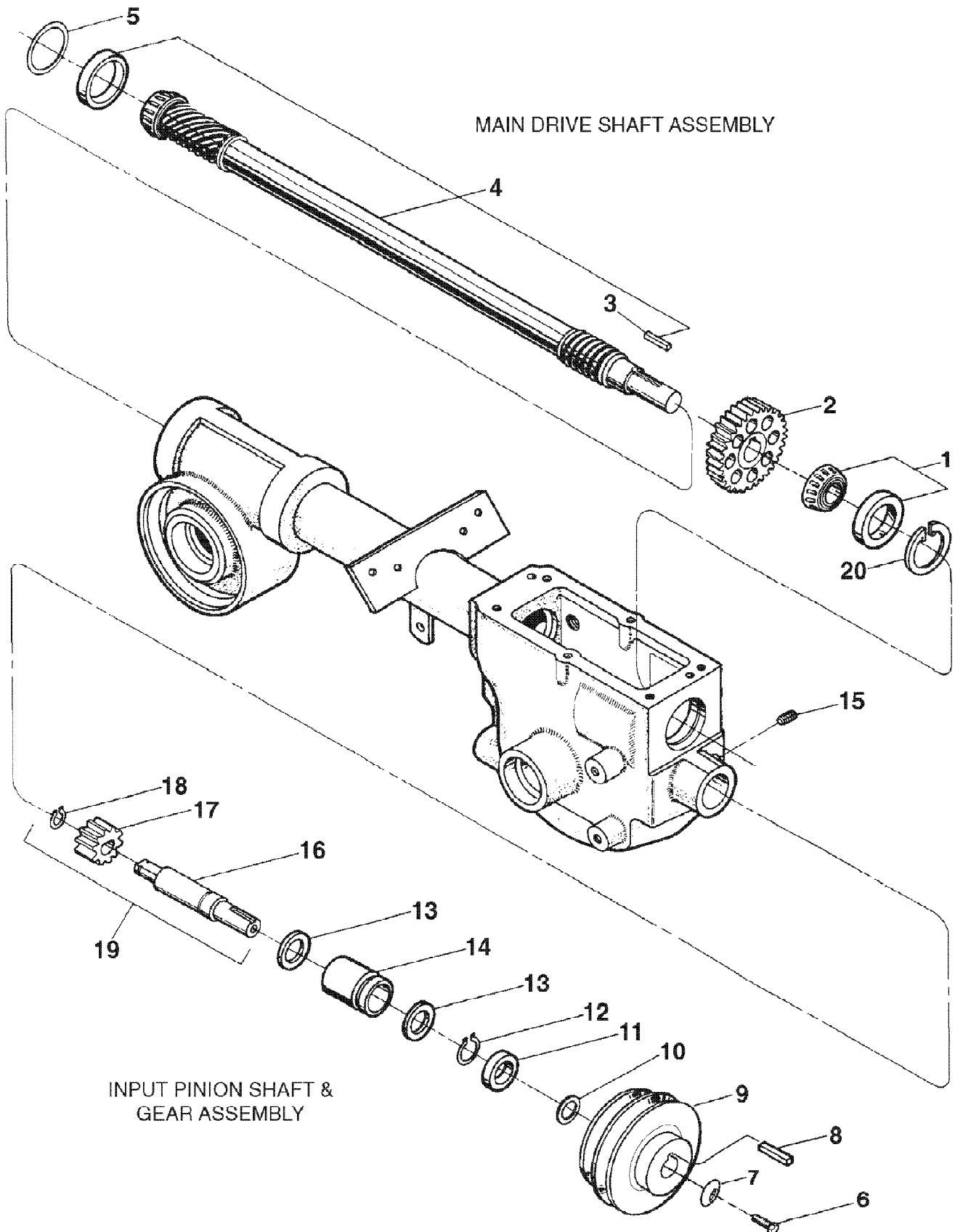


21AE663D266 6.5HP Elec Roto-Tiller (2007)  
Bumper Attachment

Page 4 of 21

Ref #	Part Number	Qty	S/P/F	Description
1	749-04193	1	S	Bumper
2	712-04063	4	/P	Lock Nut - Hex, Nylon, 5/16-18 Specify Grade 5 if ordering parts locally.
3	710-0395	4	/P	Screw - hex hd., 5/16-18 x 2-1/4
4	736-0119	4	S	Lockwasher - 5/16
5	712-04063	4	/P	Lock Nut - Hex, Nylon, 5/16-18 Specify Grade 5 if ordering parts locally.

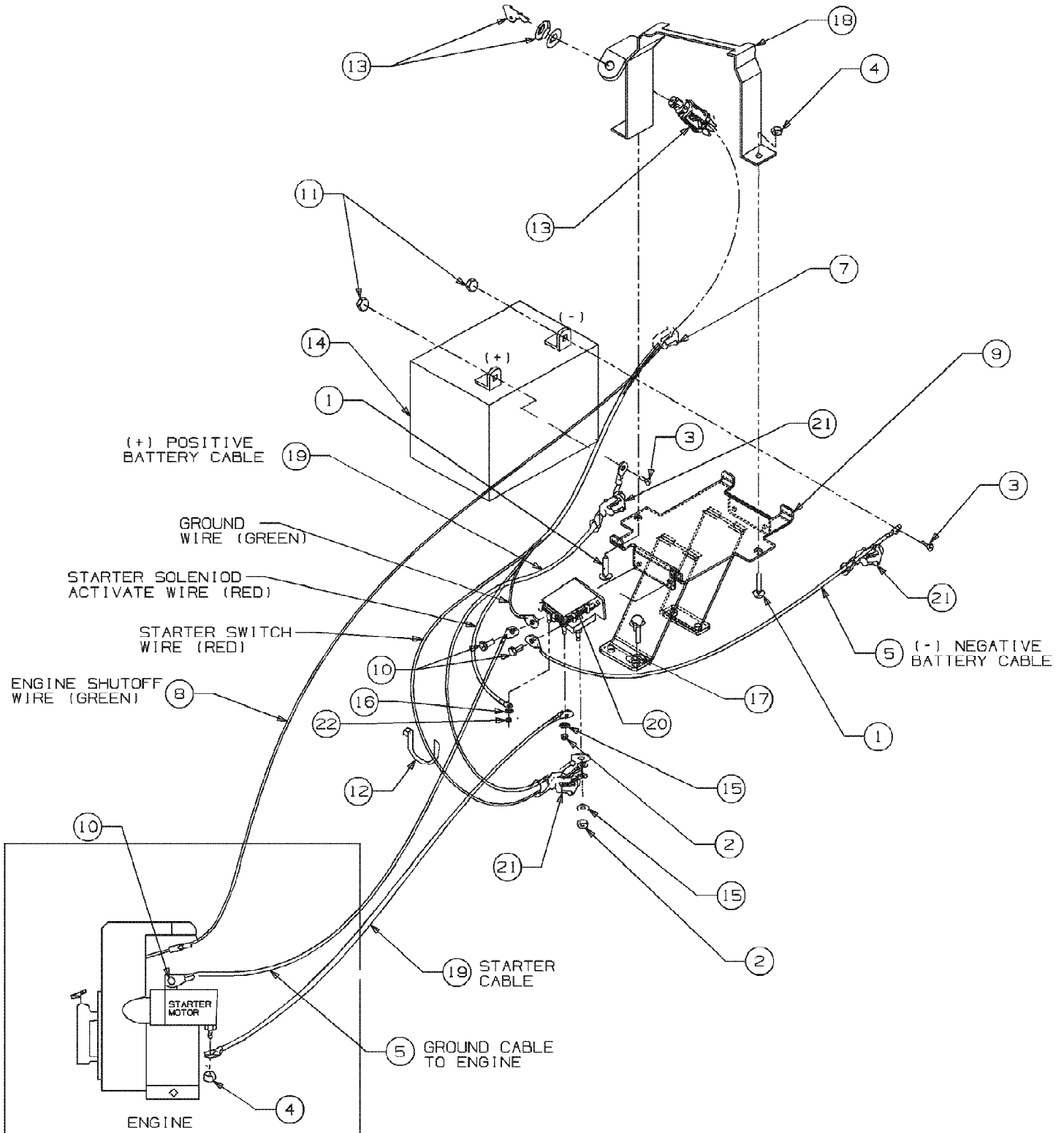
21AE663D266 6.5HP Elec Roto-Tiller (2007)  
Drive Shaft Assembly



21AE663D266 6.5HP Elec Roto-Tiller (2007)  
Drive Shaft Assembly

Page 6 of 21

Ref #	Part Number	Qty	S/P/F	Description
1	GW-1714	1	S	Bearing, Tapered Roller with Race
2	GW-20718	1	S	Spur Gear
3	GW-9301	1	S	Key, 3/16 sq. x 1
4	GW-20912	1		Main Drive Shaft, Also incl. Pressed-on GW-1714 & GW-9301 Drive shaft is one-piece with integral, single-lead, work-hardened front worm, and integral, six-lead, work-hardened rear worm.
5	GW-1224-1	1	S	Shim, Rear Bearing Cap, .010" thick As Required; Shim between drive shaft rear bearing and rear bearing cap to achieve 5 to 10 thousandths of an inch (.005-.001) end play on drive shaft.
5	GW-1224-2	1	S	Shim, same as above, but .030" thick As Required; Shim between drive shaft rear bearing and rear bearing cap to achieve 5 to 10 thousandths of an inch (.005-.001) end play on drive shaft.
5	GW-1224-3	1	S	Shim, same as above, but .005" thick As Required; Shim between drive shaft rear bearing and rear bearing cap to achieve 5 to 10 thousandths of an inch (.005-.001) end play on drive shaft.
5	GW-1325C	1	/P	Shim Set (Incl. two GW-1224-1; two 1224-2 & one GW-1224-3 As Required; Shim between drive shaft rear bearing and rear bearing cap to achieve 5 to 10 thousandths of an inch (.005-.001) end play on drive shaft.
6	710-04458	1	S	Hex Hd. Screw, 5/16-24 x 1-1/8 As Required, Specify Grade 5 if ordering part locally.
7	736-04193	1	/P	Washer, Disc Spring (concave surface faces pulley)
8	714-04042	1	S	Key, 3/16 sq. x 1-1/2
9	1916522	1	S	Transmission Drive Pulley
10	736-04079	1	/P	Support Washer
11	721-04044	1	S	Oil Seal, Input Pinion Shaft
12	1113527	1	S	Retaining Ring (external)
13	GW-9953	2	/P	Thrust Washer
14	GW-9428	1	/P	Bushing
15	GW-9677	1	/P	Set Screw, 5/16-18 x 3/8 Specify Grade 5 if ordering part locally.
16	GW-20791	1	/P	Input Pinion (steel shaft)
17	GW-20792	1	S	Input Pinion Gear
18	GW-9093	1	/P	Retaining Ring (external)
19	GW-20799	1	/P	Pinion Assy. (Incl. one each Refs. 16, 17 & 18 As Required)
20	GW-9517	1	S	Retaining Ring (internal)

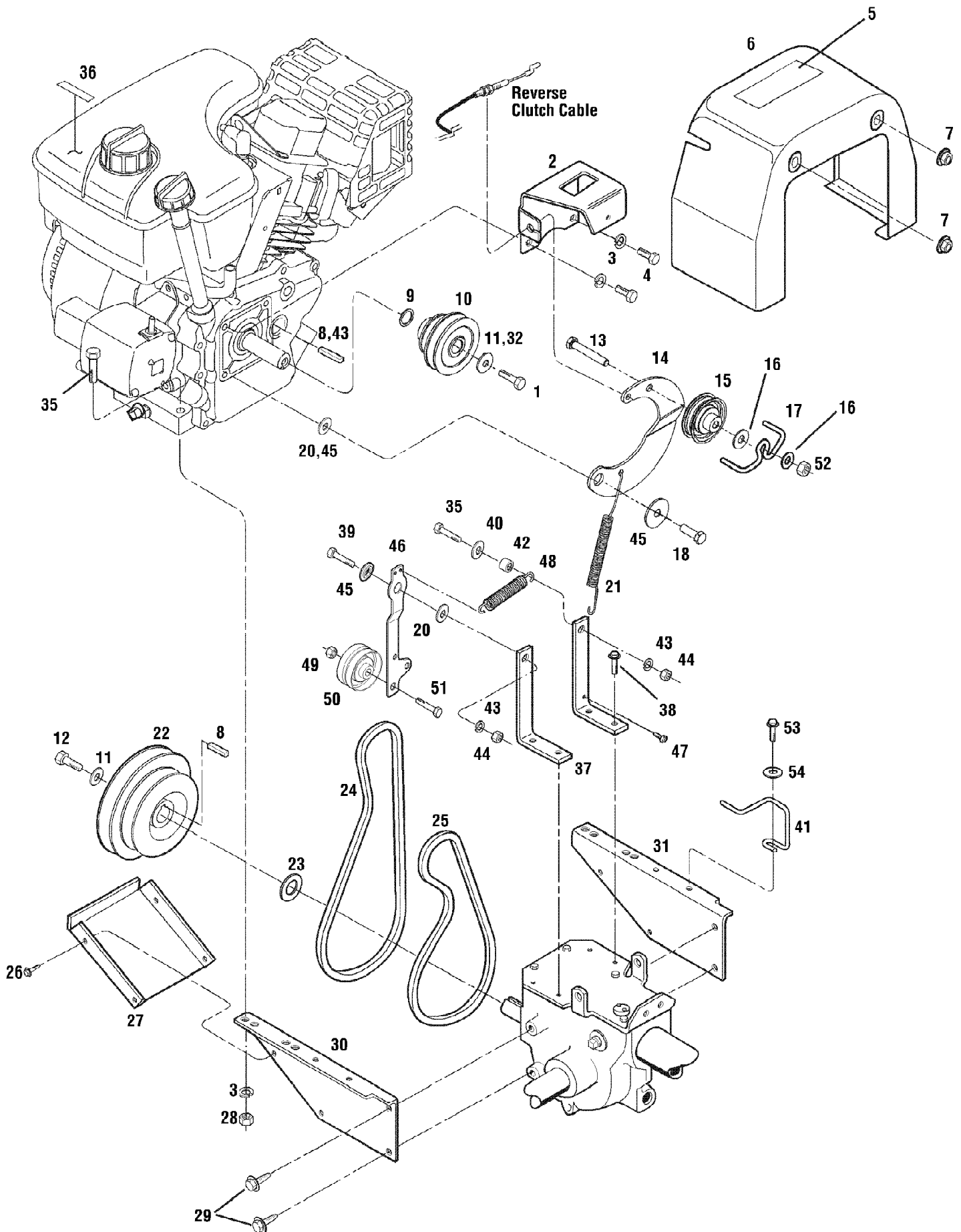


21AE663D266 6.5HP Elec Roto-Tiller (2007)  
Electric Start Assembly

Page 8 of 21

Ref #	Part Number	Qty	S/P/F	Description
1	1186073	2	/P	Carriage Screw, 1/4-20 x 1.25
2	1186211	2	/P	Hex Nut, 5/16-24
3	1186309	2	/P	Flange Screw, 1/4-20 x .625
4	1186389	2	/P	Hex Locknut, 1/4-20
5	1901202	2	/P	Cable (ground wire to starter motor bracket)
7	725-04346	1		Wire Harness Assy. (available as complete ass'y only). Incl. Wire ass'y. w/connector to large solenoid stud (red wire); wire ass'y w/connector to solenoid grounding screw (red wire); wire ass'y. w/connector to engine ground shut-off (green wire); plastic protector tube: wire terminal.
8	1917262	1	/P	Ground Wire Assy. (shut off)
9	686-04024	1	S	Battery Bracket Assembly, Pony
10	710-0599	3	/P	Self-tapping Screw, 1/4-20 x .5
11	712-3006	2	/P	Hex Nut, 1/4-20
12	725-0157	1	/P	Cable Tie
13	725-0267B	1	S	Ignition Switch
14	725-1706A	1	S	Battery, 270 CCA
15	736-0119	2	S	Lock Washer 5/16
16	736-0147	1	S	Lock Washer, #10
17	736-0607	2	/P	External Lock Washer, 5/16
18	GW-2614	1	S	Keyswitch Clamp
19	GW-96510	1	/P	Cable (solenoid to starter motor)
20	GW-96514	1	S	Solenoid (Incl. nuts and washers for cable & wires)
21	GW-97020	2	/P	Boot, Insulating
22	GW-9853	1	/P	Hex Locknut, #10-32
	777S30648	1	/P	Label, Ignition Switch





21AE663D266 6.5HP Elec Roto-Tiller (2007)  
Engine Accessories and Drive

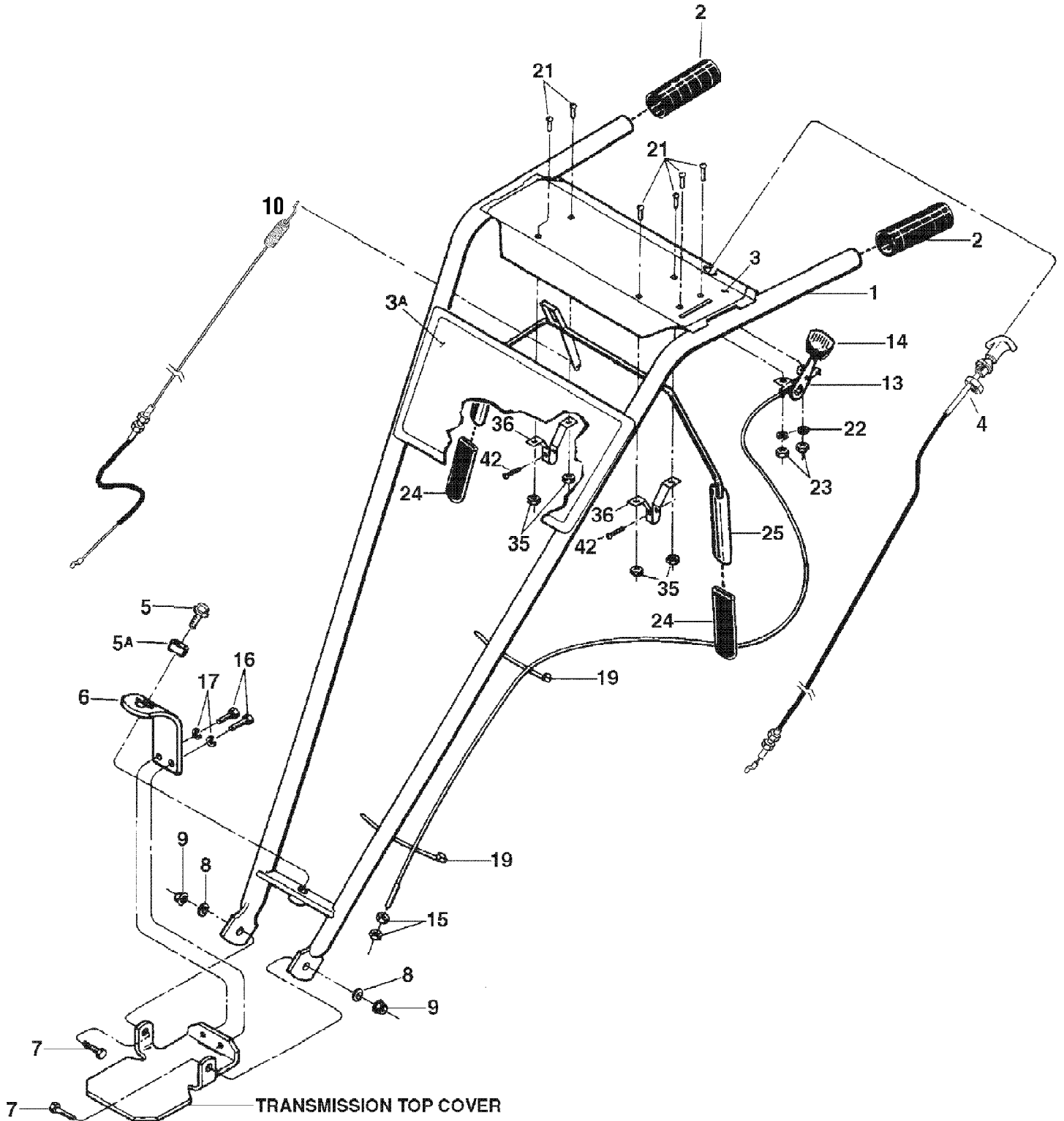
Page 10 of 21

Ref #	Part Number	Qty	S/P/F	Description
1	710-0539	1	/P	Screw, 3/8-24 x 1.75 For Models 663E & E663E
1	710-04458	1	S	Screw, 5/16-24 x 1.125 For Model 665B
2	786-04070	1	S	Bracket, Clutch Cable
3	736-0119	6	S	Lockwasher-5/16
4	710-0107	2	/P	Hex Hd. Screw, 5/16-24 x 1/2
5	777S30651	1		Decal, Hot Surfaces/Belt Warning
6	731-05290	1	/P	Cover
7	712-3004A	2	/P	Flange Lock Nut, 5/16-18
8	714-04042	1	S	Key, 3/16 x 1-1/2 For Model 665B
9	736-04187	1	/P	Shim
10	619-04015	1	S	Pulley, Engine Drive For Models 663E & E663E
10	619-04130	1	/P	Pulley, Engine Drive For Model 665B
11	736-04193	2	/P	Belleville Washer For Model 665B
12	710-04458	1	S	Hex Hd. Screw, 5/16-24 x 1-1/8
13	710-3103	1	/P	Hex Hd. Screw, 5/16-18 x 2
14	786-04276	1	/P	Reverse Idler Arm
15	756-04169	1	S	Pulley, Reverse Idler
16	736-0159	2	S	Flat Washer, 5/16
17	732-04081	1	/P	Belt Guide, Wire Formed
18	710-0117	1	S	Hex Head Screw, 5/16-24 x 1
19	748-04087	1	S	Washer, Shoulder
20	736-3078	3	/P	Washer, Flat, 1-1/8
21	732-04077	1	/P	Spring, Reverse Return
22	619-04123	1	/P	Transmission Pulley
23	736-04079	1	/P	Support Washer
24	754-04095	1	S	Reverse Clutch Belt
25	754-04094	1	S	Forward Clutch Belt
26	710-04459	4	S	Self-tapping Screw, #10-32 x 1/2,
27	786-04080	1	S	Guard, Belts/Pulleys
28	712-04063	4	/P	Hex Flange Nut, 5/16-18
29	710-04043	4	/P	Hex Flange Screw, 5/16-18 x 3/4 Specify Grade 5 if ordering part locally
30	786-04066	1	S	Engine Support Bracket, left side
31	786-04067	1	S	Engine Support Bracket, right side
32	736-0452	1	S	Bell Washer For Models 663E & E663E
35	710-0395	5	/P	Hex Hd. Screw, 5/16-18 x 2-1/4
36	777I20358	1		Decal, Stabilization
37	786-04277	2	S	Mounting Bar
38	710-1260	4	S	Hex Flange Screw, 5/16-18 x .75
39	710-0805	1	/P	Hex Hd. Screw, 5/16-18 x 1-1/2 Specify Grade 5 if ordering part locally
40	736-0275	1	S	Flat Washer, 5/16'
41	732-04082	2	/P	Belt Guide, Pony
42	750-04160	2	S	Pivot Bushing
43	714-04029	1	S	Key, .188 x 1.75 For Models 663E & E663E
44	712-3010	2	S	Hex Nut, 5/16-18
45	748-04087	2	S	Washer, Shoulder
46	786-04275	1	S	Idler Arm, Forward Tiller Direction

21AE663D266 6.5HP Elec Roto-Tiller (2007)  
Engine Accessories and Drive

Page 11 of 21

Ref #	Part Number	Qty	S/P/F	Description
47	710-04460	1	S	Screw, self tapping, #10-24 Secures Forward Cluch Cable PN 746-04027
48	732-04078	1	S	Spring
49	712-3000	1	S	Hex Locknut, 5/16-18
50	756-04170	1	/P	Idler Pulley, Forward
51	710-0347	1	/P	Screw, 3/8-16 x 1-3/4
52	712-0158	1	S	Hex Lock Nut, 5/16-18
53	710-04461	1	S	Screw, 1/4-20 x 3/4
54	736-0463	1	S	Flat Washer-1/4

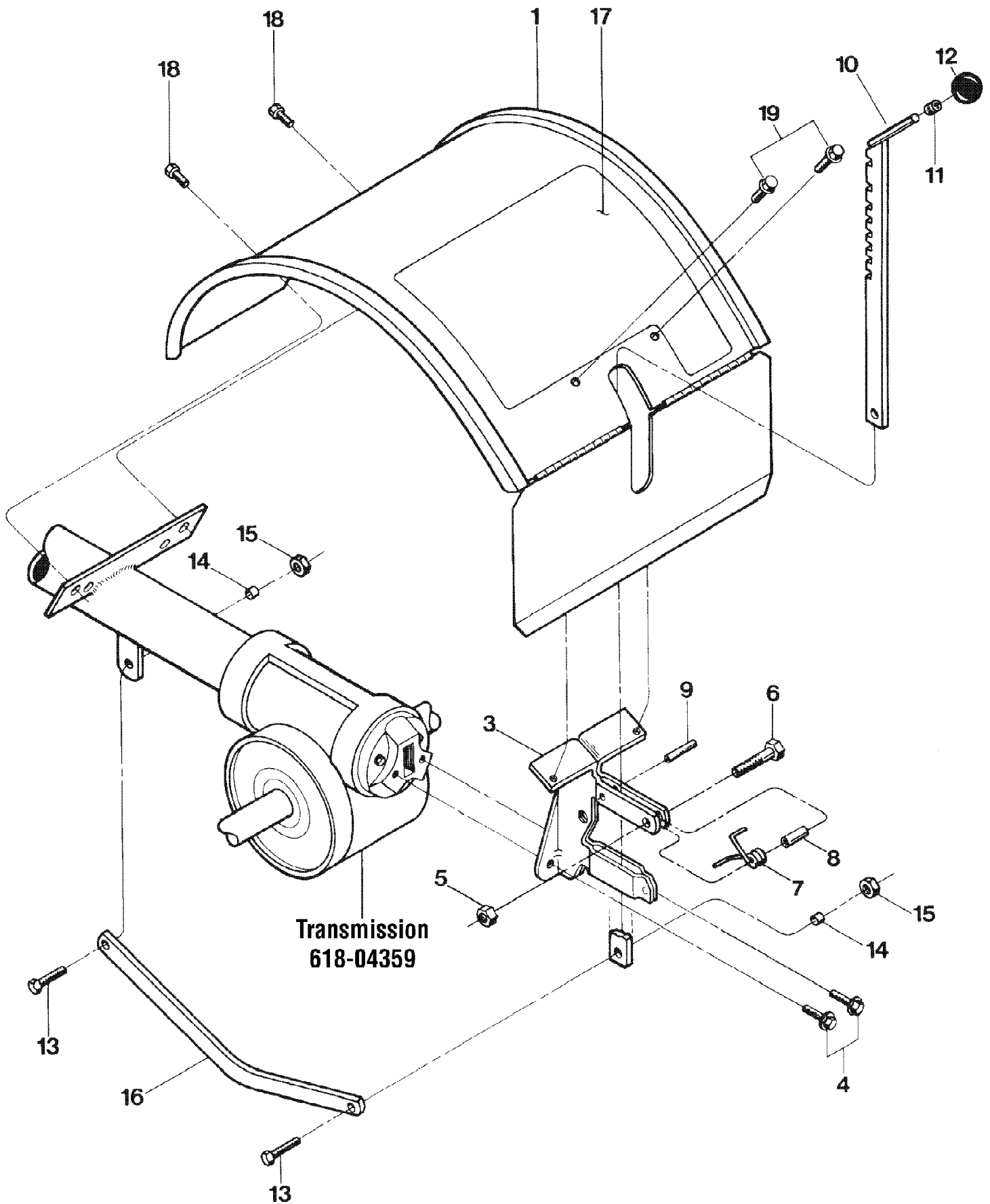


21AE663D266 6.5HP Elec Roto-Tiller (2007)  
Handlebar & Control Levels Assembly

Page 13 of 21

Ref #	Part Number	Qty	S/P/F	Description
1	1918801	1	S	Handlebars
2	720-0274	2	/P	Grip
3	777I22624	1		De cal, Control Panel
3A	777D09943	1		Decal, Model Name/Logo For Model 663E
3A	777D09940	1		Decal, Model Name/Logo For Model 665B
4	1916784	1	S	Reverse Clutch Control Cable
5	1186347	1	S	Height Adjustment Screw
5A	GW-9955	1	S	Washer, Keyed
6	1900475001	1	S	Bracket, Handlebar Height Adjustment
7	710-0514	2	/P	Hex Hd. Screw, 3/8-16 x 1 Specify Grade 5 if ordering part locally
8	736-3050	2	/P	Washer, Plain (flat) 3/8, S.A.E.
9	712-3000	2	S	Hex Locknut, 3/8-16
10	746-04027	1	S	Cable, Forward Clutch Control
13	GW-9442	1	S	Wheel Gear Control and Cable Assy
14	GW-9057	1	/P	Knob, Wheel Gear Control Lever
15	1186211	2	/P	Hex Nut, 5/16-24
16	GW-90064	2		Hex Hd. Screw, 3/8-16 x 5/8 Specify Grade 5 if ordering part locally
17	736-0169	2	S	Lockwasher, 3/8
19	725-0157	2	/P	Cable Ties, Plastic
21	1114748	6	/P	Round Hd. Screw, #10-32 x 1/2
22	1100240	2	/P	Lockwasher, #10
23	1186208	2	/P	Hex Nut, #10-32
24	GW-9390	2	/P	Grip
25	1918840	1	/P	Bail w/ Grips, Forward Clutch Control .
35	GW-9853	4	/P	Sems Nut
36	GW-20806	2	/P	Bracket, Bail Support
42	710-0599	2	/P	Hex Flange Screw, self-tapping, 1/4-20 x 1/2"

21AE663D266 6.5HP Elec Roto-Tiller (2007)  
Hood Assembly

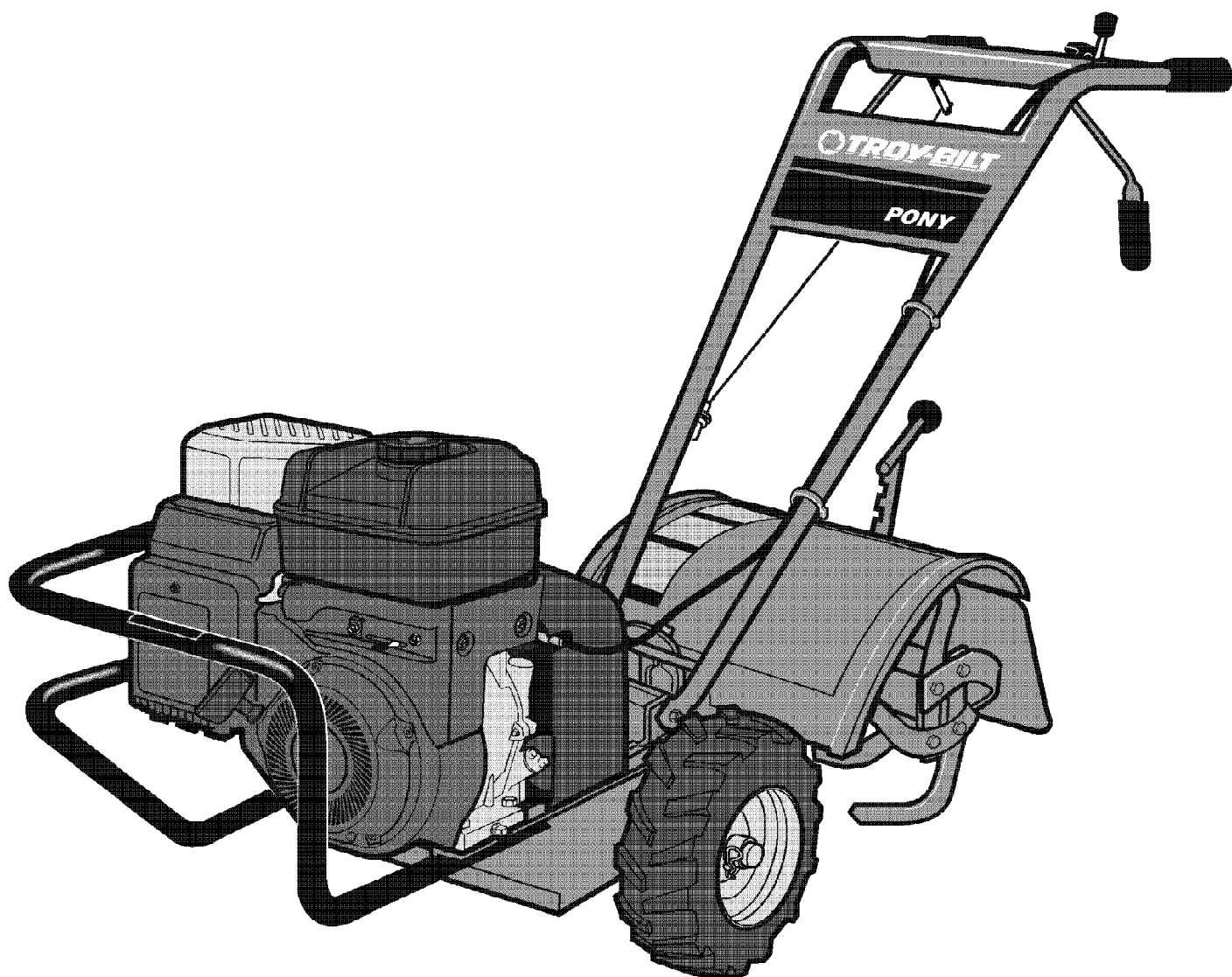


21AE663D266 6.5HP Elec Roto-Tiller (2007)  
Hood Assembly

Page 15 of 21

Ref #	Part Number	Qty	S/P/F	Description
1	686-04078	1	S	Tine Hood
2	710-0169	2	S	Lockwasher, 3/8
3	GW-1925	1		Bracket - hood & depth regulator
4	710-04049	2	/P	Hex Flange Screw, 5/16-18 x 5/8 Specify Grade 5 if ordering parts locally.
5	712-04064	1	/P	Hex Locknut, 1/4-20
6	710-0597	1	/P	Hex Hd. Screw, 1/4-20 x 1 Specify Grade 5 if ordering parts locally.
7	732-04320	1	/P	Spring
8	750-04556	1		Spacer
9	715-04034	1	/P	Roll Pin (spiral), 1/4 x 1
10	GW-1117A	1	S	Depth Adjustment Bar Assembly (Incl. Refs. 11 & 12)
11	GW-9120	1	/P	Retaining Ring (tolerance ring)
12	GW-9119	1	/P	Knob, Depth Regulator
13	710-3005	2	/P	Hex Hd. Screw, 3/8-16 x 1-1/4 Specify Grade 5 if ordering parts locally.
14	GW-1113-1	2	S	Bushing, Drag Bar
15	712-04065	2	/P	Hex Nut, 3/8-16
16	GW-20775	1	S	Drag Bar
17	777S30649	1	/P	Decal, operating instructions
18	710-0759	2		Hex Hd. Screw, self-tapping, 5/16-18 x 5/8" Specify Grade 5 if ordering parts locally.
19	710-0599	2	/P	Hex Flange Screw, self-tapping, 1/4-20 x 1/2"

21AE663D266 6.5HP Elec Roto-Tiller (2007)  
Quick Reference 663

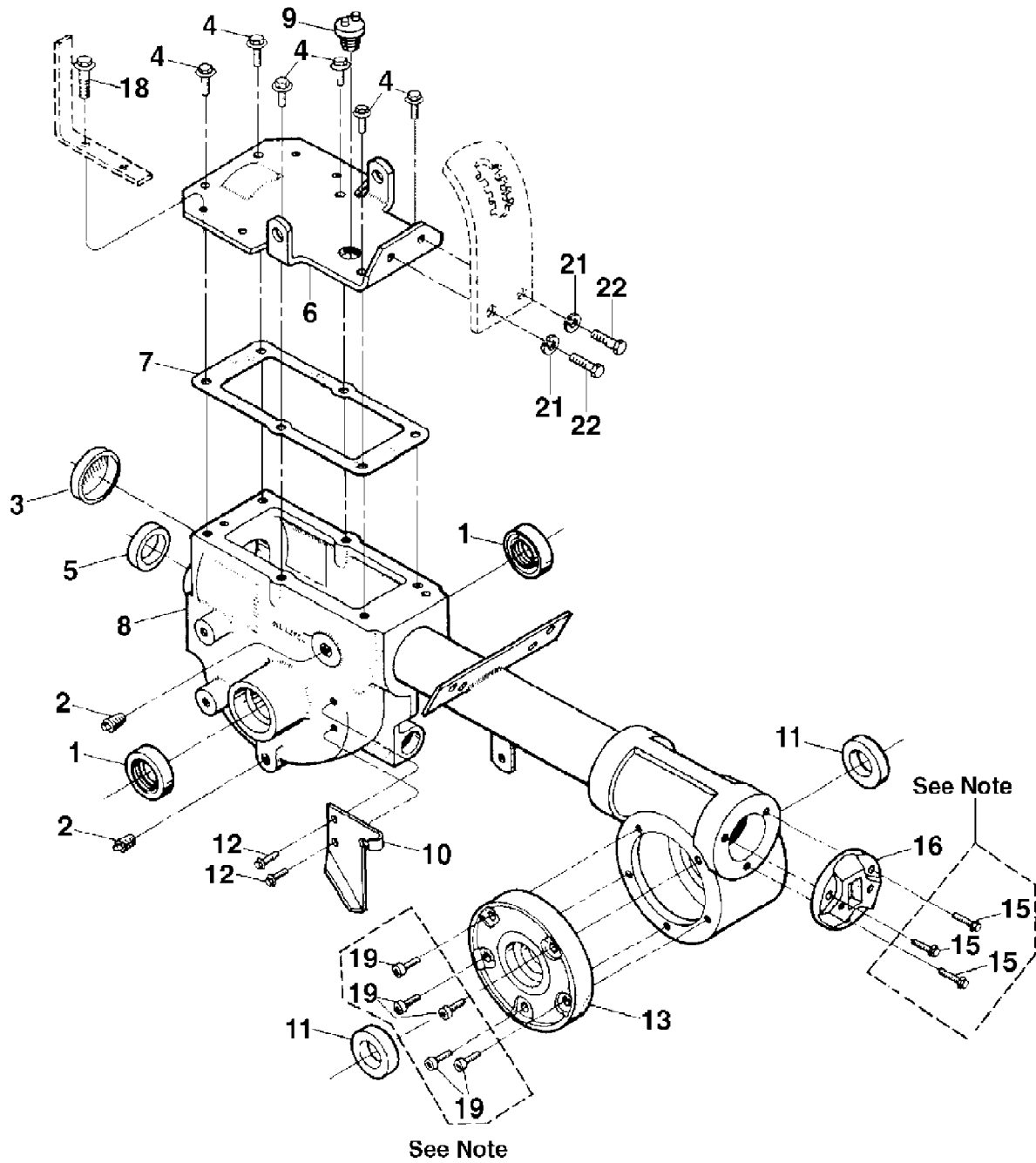




21AE663D266 6.5HP Elec Roto-Tiller (2007)  
Quick Reference 663

Page 17 of 21

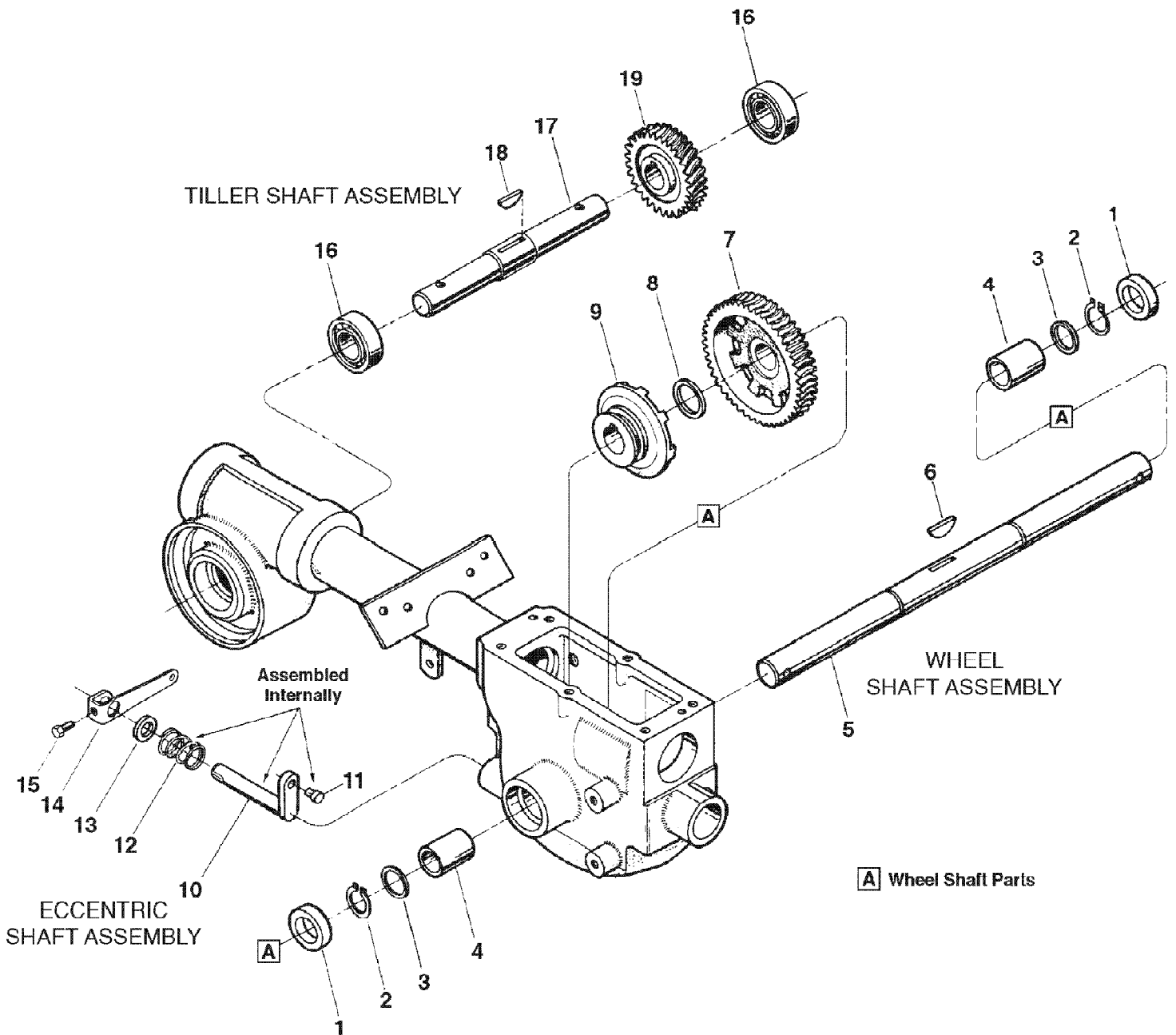
Ref #	Part Number	Qty	S/P/F	Description
	TC-34645	1	/P	Spark Plug
	TC-36634	1	/P	Pre Filter
	TC-36046	1	/P	Air Filter
	N/A	1		Fuel Filter
	754-04094	1	S	Drive Belt (FWD)
	754-04095	1	S	Drive Belt (REV)
	756-04170	1	/P	Idler Pulley
	746-04027	1	S	Clutch Cable (FWD)
	1916784	1	S	Clutch Cable (REV)
	742-04119	8	S	Tines - LH
	742-04118	8	S	Tines - RH
	1901118	1	S	Bolo Tines (Incl. 8 LH & 8 RH Tines & Hardware)
	GW-10802	1	/P	Custom Bolo Tines (Incl. 8 LH & 8 RH Tines & Hardware)
	634-04232	1	S	Wheel Assembly
	GW-9390	1	/P	Foam Grip
	GW-9057	1	/P	Shift Control Knob
	GW-9119	1	/P	Handle Knob



21AE663D266 6.5HP Elec Roto-Tiller (2007)  
Transmission Housing

Page 19 of 21

Ref #	Part Number	Qty	S/P/F	Description
1	721-04031	2	S	Oil Seal (Double Lip), Wheel Shaft
2	1105620	2	/P	Pipe Plug, 1/4
3	721-04001	1	/P	Seal, Transmission Bore
4	710-04043	6	/P	Hex Flange Screw, 5/16-18 x 3/4 Specify Grade 5 if ordering part locally.
5	721-04044	1	S	Oil Seal, Input Pinion Shaft
6	GW-20910	1	S	Transmission Cover
7	GW-20694	1	/P	Gasket, Transmission Top Cover
8	619-04010	1	S	Transmission Case Assy
9	GW-9467	1	/P	Plug
10	1917101001	1	/P	Mounting Plate, Wheel Clutch Cable
11	721-04035	2	S	Oil Seal, Tiller Shaft
12	710-04049	2	/P	Screw, Hex Flange, 5/16-18 x 5/8"
13	GW-20873	1	/P	Cover, Tiller Housing
15	1915069	3	/P	Self-Sealing Screw, 1/4-20 x 7/8"
16	GW-1115	1	S	Rear Bearing Cap
17	GW-1124-2	1	S	Gasket, Rear Bearing Cap, .010" As Required
18	710-1260A	4	/P	Hex Flange Screw, 5/16-18 x 3/4 Specify Grade 5 if ordering part locally.
19	1915068	5	/P	Self-Sealing Screw, 1/4-20 x 5/8'
21	736-0169	2	S	Lockwasher, 3/8
22	GW-90064	2		Hex Hd. Screw, 3/8-16 x 5/8 Specify Grade 5 if ordering part locally.



21AE663D266 6.5HP Elec Roto-Tiller (2007)  
Wheel & Tiller Shaft Assemblies

Page 21 of 21

Ref #	Part Number	Qty	S/P/F	Description
1	721-04031	2	S	Oil Seal
2	1909950	2	S	Retaining Ring (heavy-duty, external)
3	GW-1166-1	1	S	Shim, 1-1/64 I.D., .062" thick As Required
3	GW-1166-2	1	/P	Shim, as above, but .030" thick As Required
3	GW-1166-3	1	/P	Shim, as above, but .015" thick As Required
3	GW-1166-4	1	S	Shim, as above, but .010" thick As Required
4	GW-1086	2	S	Bushing
5	711-04482	1	S	Wheel Shaft
6	GW-9373	1	/P	Hi-Pro Key, 1/4 x 1-5/16
7	GW-20914	1	/P	Wheel Drive Worm Gear (cast-iron)
8	GW-9935	1	/P	Shim (between key and gear), 1.016 I.D. x 1.468 O.D. x.062 Thick
9	GW-20712	1	/P	Wheel Drive Clutch (cast-iron)
10	611-04002	1	/P	Eccentric Shaft
11	GW-1442	1	S	Pin, Eccentric Shaft
12	GW-9055	1	/P	Spring
13	721-04034	1	S	Oil Seal
14	786-04001	1	/P	Eccentric Shaft Lever
15	710-3013	1	/P	Hex Hd. Screw, 1/4-20 x 1/2 Specify Grade 5 if ordering part locally.
16	741-3037	2	S	Ball Bearing
17	711-04080	1	S	Tiller Shaft
18	GW-1104	1	/P	Woodruff Key, 1/4 x 1-1/4
19	GW-20913	1	/P	Tiller Drive Worm Gear (bronze)