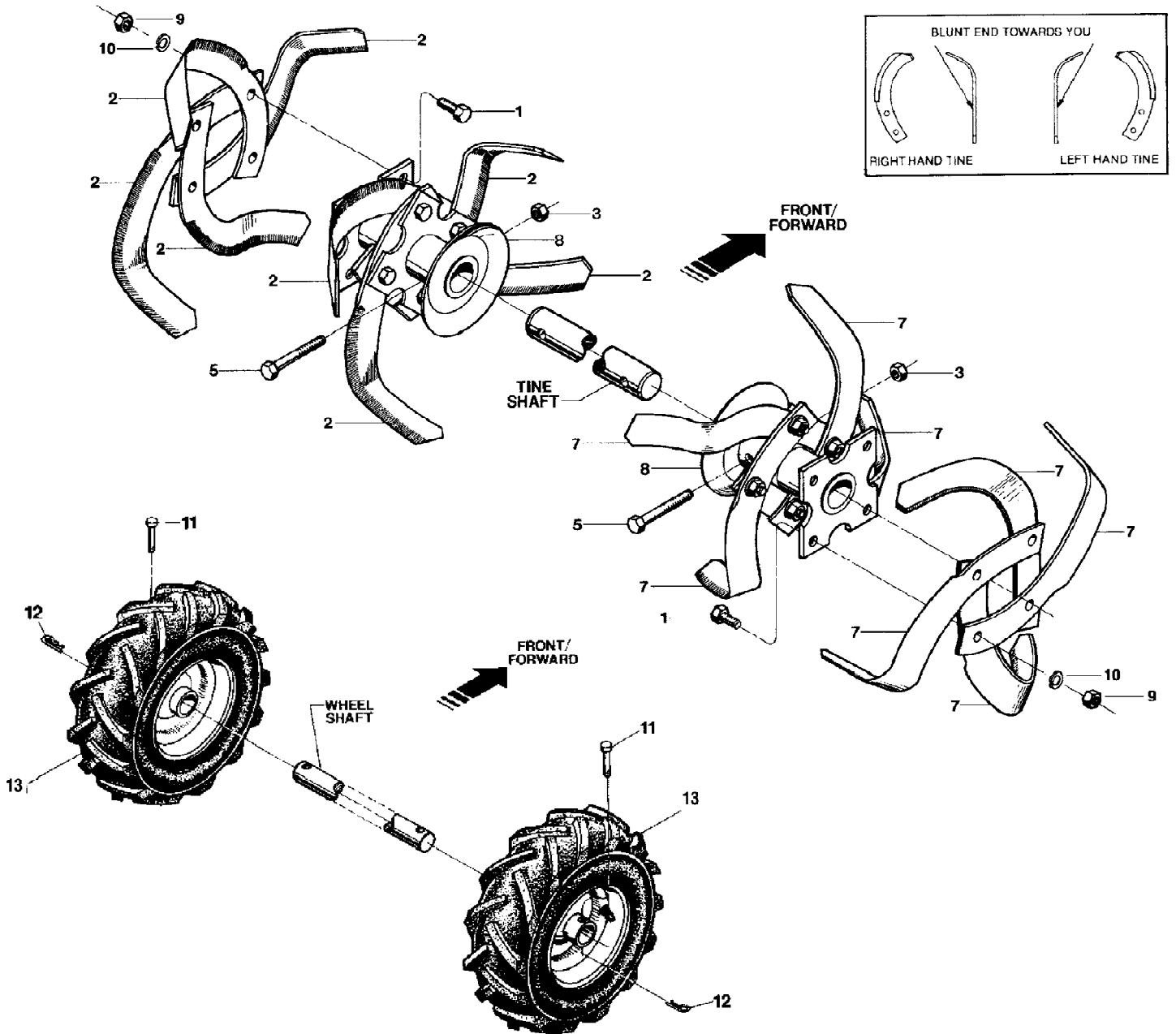


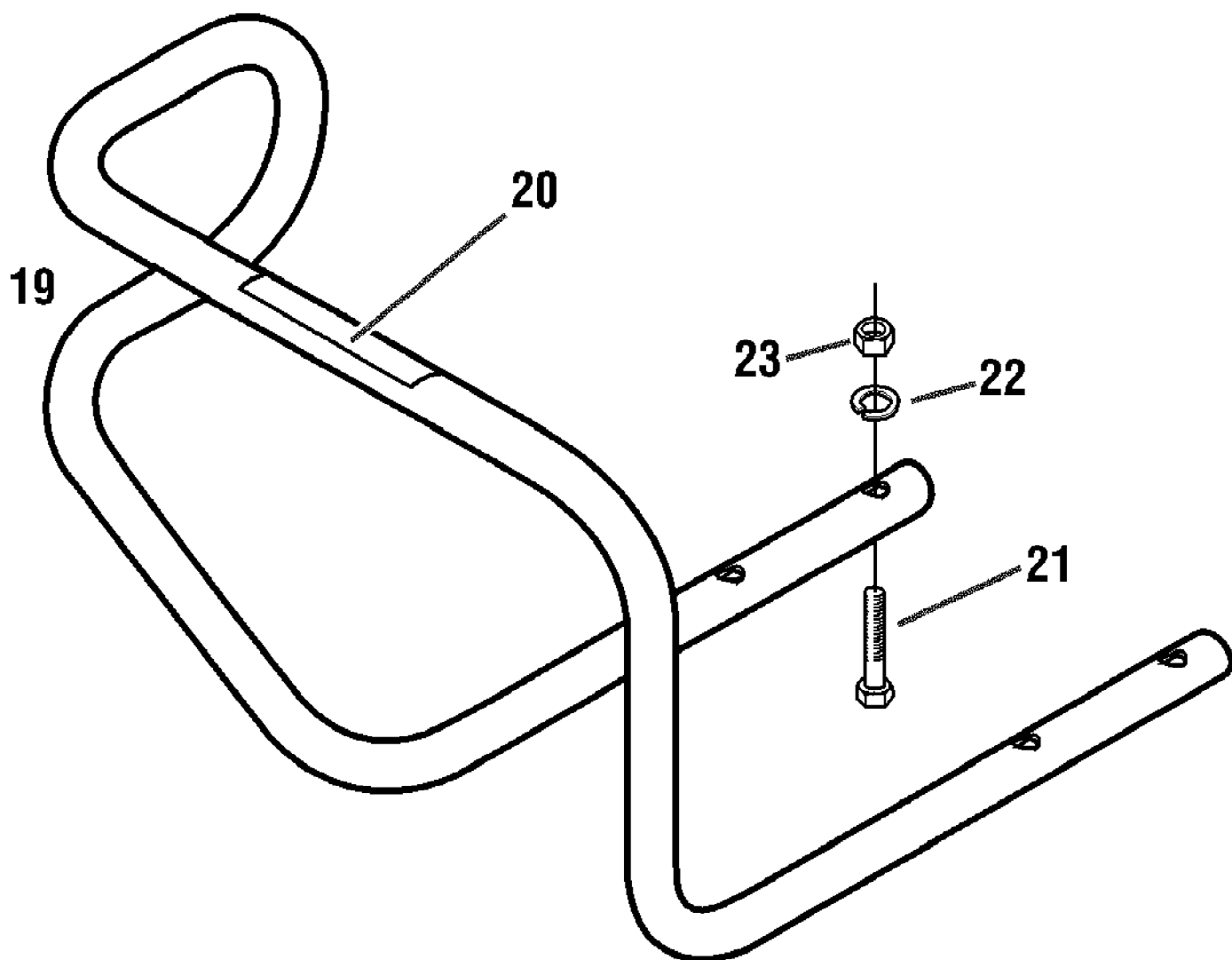
21A-664D063 7 HP Roto-Tiller (2003)
Bolo Tines, Wheels



21A-664D063 7 HP Roto-Tiller (2003)
Bolo Tines, Wheels

Page 2 of 24

Ref #	Part Number	Qty	S/P/F	Description
1	710-3105	16		Hex Hd. Screw, 3/8-16 x 1-1/4
2	742-04119-0637	8	/P	Bolo Tine-single. Left
3	712-0375	2	/P	Hex Locknut, 3/8-16
5	710-3096	2	/P	Hex Hd. Screw, 3/8-16 x 2, Grade 8
7	742-04118-0637	8	/P	Bolo Tine-single. Right
8	1902154010	2	S	Tine Holder. For left and right sides
9	712-3017	16	S	Hex Nut, 3/8-16
10	736-0169	16	S	Lock Washer, 3/8
11	GW-9380	2	S	Clevis Pin, .312 x 1-3/4
12	GW-9338	2	S	Hitch Pin
13	1917487	2	S	Wheel and Tire Assembly
	1901118	1	S	Bolo Tine Replacement Set (Incl. eight ea. right hand and left hand tines, and sixteen ea. Refs. 1 and 3)
	GW-2475-1	8	S	Custom Tilling Bolo Tine, Left hand tine
	GW-2475-2	8	S	Custom Tilling Bolo Tine, Right hand tine
	GW-10802	1	/P	Custom Tilling Bolo Tine Replacement Set (Incl. eight ea. right hand and left hand custom tines, and sixteen each of Refs. 1 and 3)

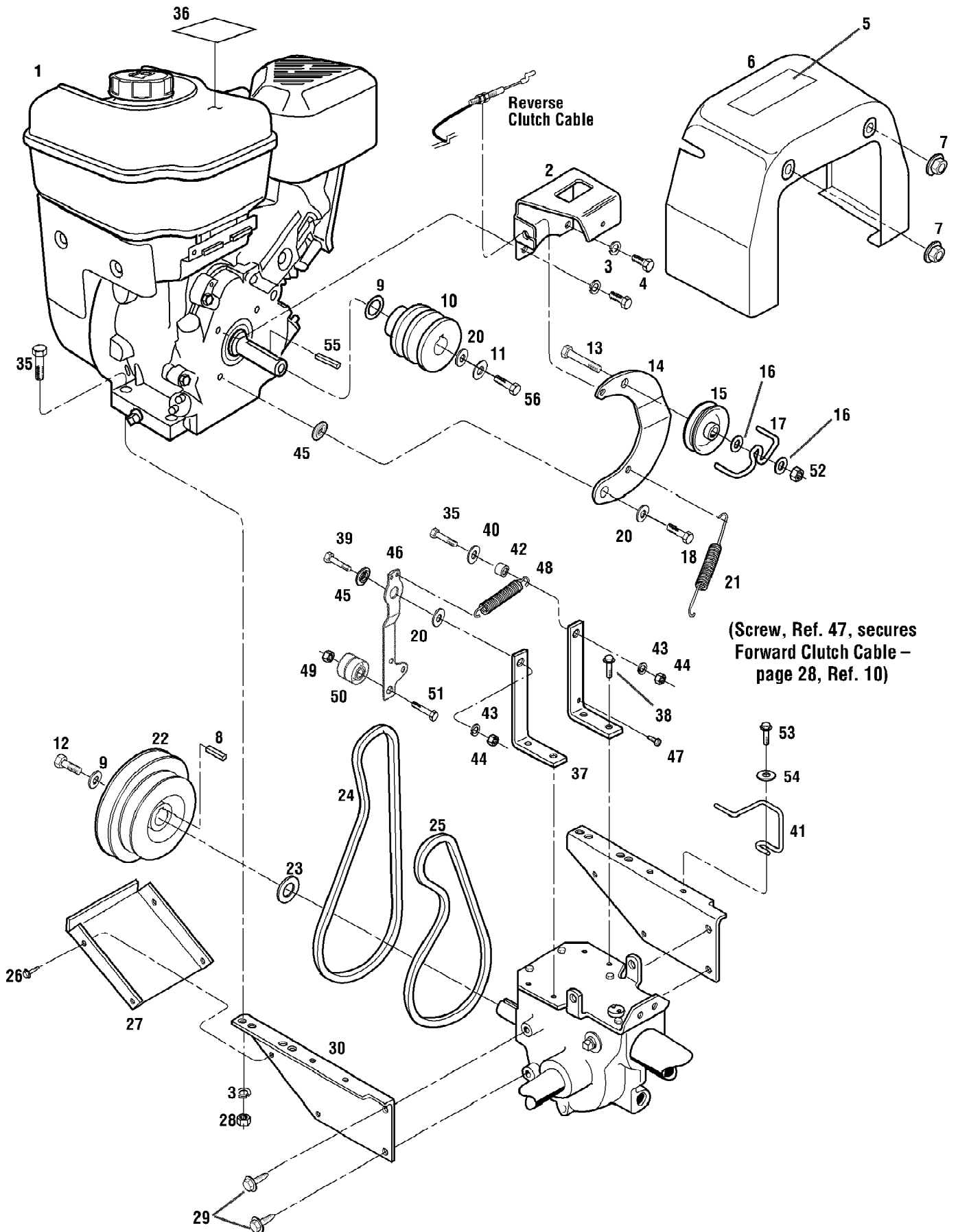


21A-664D063 7 HP Roto-Tiller (2003)
Bumper Attachment

Page 4 of 24

Ref #	Part Number	Qty	S/P/F	Description
	OEM-290-254	1		Bumper
19	1918749001	1	S	Bumper (includes Ref. 20)
20	777S30653	1		Decal - Caution
21	710-3073	4	S/F	Screw-hex hd., 5/16-18 x 2-1/4, not avail. separately (order #1918781 hardware kit)
22	736-0119	4	S/F	Lockwasher-5/16, not avail. separately (order #1918781 hardware kit)
23	712-0267	4	S/F	Nut-hex, 5/16-18, not avail. separately (order #1918781 hardware kit)
	1918781	1		Hardware Kit: Incl. four each of Refs. 21, 22 and 23

21A-664D063 7 HP Roto-Tiller (2003)
Drive



21A-664D063 7 HP Roto-Tiller (2003)
Drive

Page 6 of 24

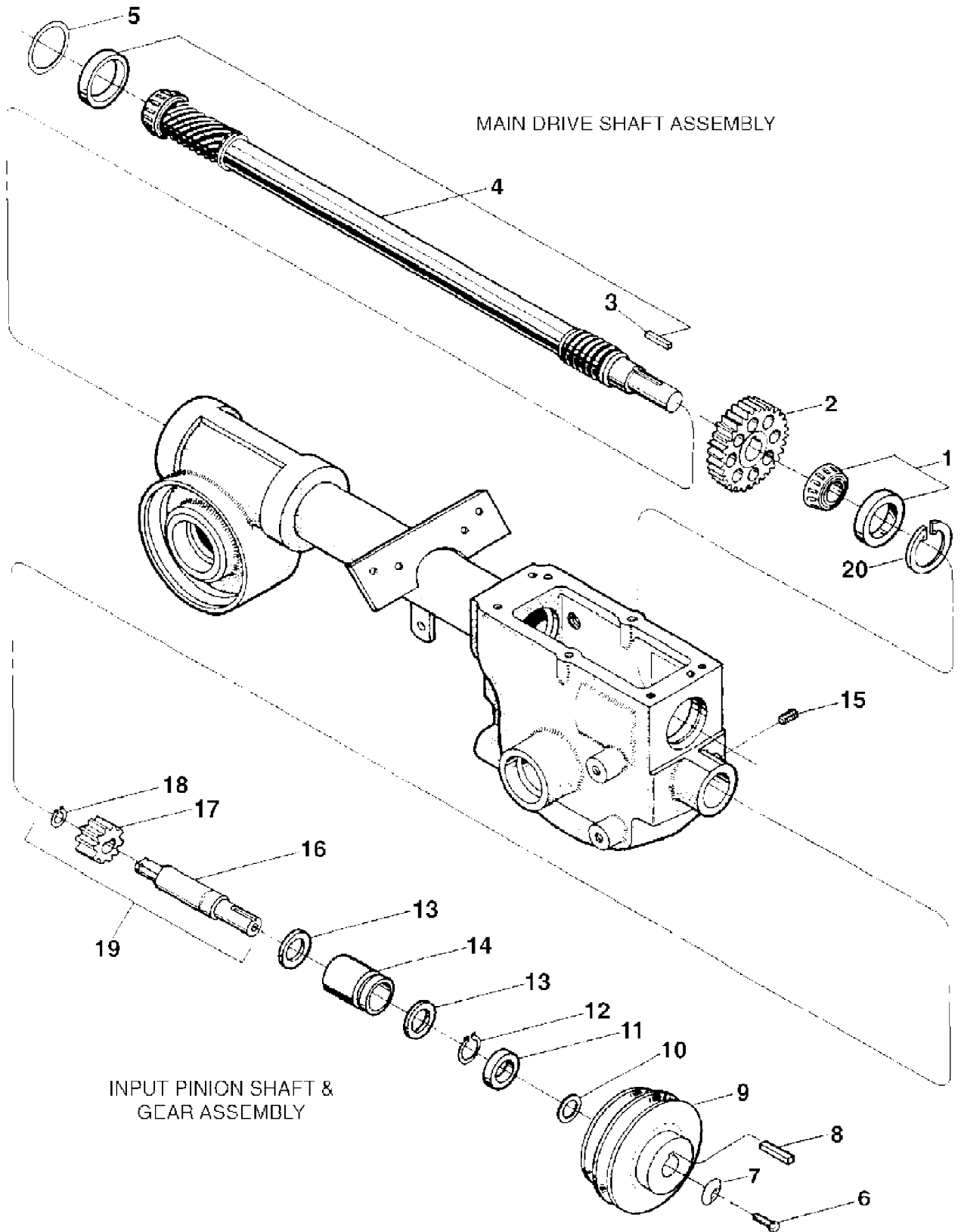
Ref #	Part Number	Qty	S/P/F	Description
1		1		Engine - standard recoil start See your local authorized engine service dealer for engine parts or service. Refer to engine nameplate for engine type and code information.
		1		Engine - electric start See your local authorized engine service dealer for engine parts or service. Refer to engine nameplate for engine type and code information.
2	1917326	1	S	Bracket, Clutch Cable
3	736-0119	6	S	Lockwasher-5/16
4	710-0107	2	/P	Hex Hd. Screw, 5/16-24 x 1/2
5	777S30651	1		Decal, Hot Surfaces/Belt Warning
6	1917139	1	S	Cover (Incl. Ref. 5)
7	712-3004A	2	/P	Flange Lock Nut, 5/16-18
8	1108841	1	S	Key, 3/16 x 1-1/2
9	GW-1138-1	1	S	Shim
10	619-04015	1	S	Pulley, Engine Drive
11	GW-9944	2	S	Belleville Washer
12	GW-9572	1	S	Hex Hd. Screw, 5/16-24 x 1-1/8
13	710-3103	1	/P	Hex Hd. Screw, 5/16-18 x 2
14	1918731	1	S	Reverse Idler Arm
15	1916535	1	/P	Pulley, Reverse Idler
16	1107382	2	/P	Flat Washer, 5/16
17	1916725	1	S	Belt Guide, Wire Formed
18	710-0117	1	S	Hex Head Screw, 5/16-24 x 1
?19	1917746	1	S	Washer, Shoulder
20	GW-9929	3	/P	Washer, Flat, 1-1/8
21	1916728	1	S	Spring, Reverse Return
22	1916522	1	S	Transmission Pulley
23	GW-1440	1	S	Support Washer
24	1918812	1	/P	Reverse Clutch Belt
25	1909404	1	/P	Forward Clutch Belt
26	1900396	4	/P	Self-tapping Screw, #10-32 x 1/2,
27	GW-20339	1	S	Guard, Belts/Pulleys
28	712-0267	4	S	Hex Nut, 5/16-18
29	1186329	4	S/F	Hex Flange Screw, 5/16-18 x 3/4
30	1916797	1	S	Engine Support Bracket, left side
?31	1916796	1	S	Engine Support Bracket, right side
35	710-0805	5	/P	Hex Hd. Screw, 5/16-18 x 1-1/2
36	777I20942	1		Decal, Stabilization
37	1918774	2	S	Mounting Bar
38	GW-90063	4	/P	Hex Flange Screw, 5/16-18 x 1
39	710-3037	1	S/F	Hex Hd. Screw, 5/16-18 x 2-1/4
40	736-0275	1	S	Flat Washer, 5/16'
41	1918846	2	S	Belt Guide, Pony
42	GW-55088	2	/P	Pivot Bushing
43	736-0119	2	S	Lockwasher, 5/16
44	712-0267	2	S	Hex Nut, 5/16-18
45	1917746	2	S	Washer, Shoulder
46	1918744	1	S	Idler Arm, Forward Tiller Direction
47	1767754	1	/P	Screw, self tapping, #10-24
48	1916727	1	/P	Spring

21A-664D063 7 HP Roto-Tiller (2003)
Drive

Page 7 of 24

Ref #	Part Number	Qty	S/P/F	Description
49	712-3000	1	S	Hex Locknut, 5/16-18
50	GW-9090	1	S	Idler Pulley, Forward
51	710-0347	1	/P	Screw, 3/8-16 x 1-3/4
52	712-0158	1	S	Hex Lock Nut, 5/16-18
53	1754128	1	/P	Screw, 1/4-20 x 3/4
54	736-0463	1	S	Flat Washer-1/4
55	714-04029	1	S	Key, .188 x 1.75
56	710-0539	1	/P	Screw, 3/8-24 x 1.75

21A-664D063 7 HP Roto-Tiller (2003)
Drive Shaft, Input Pinion Shaft And Gear Assembly



21A-664D063 7 HP Roto-Tiller (2003)
Drive Shaft, Input Pinion Shaft And Gear Assembly

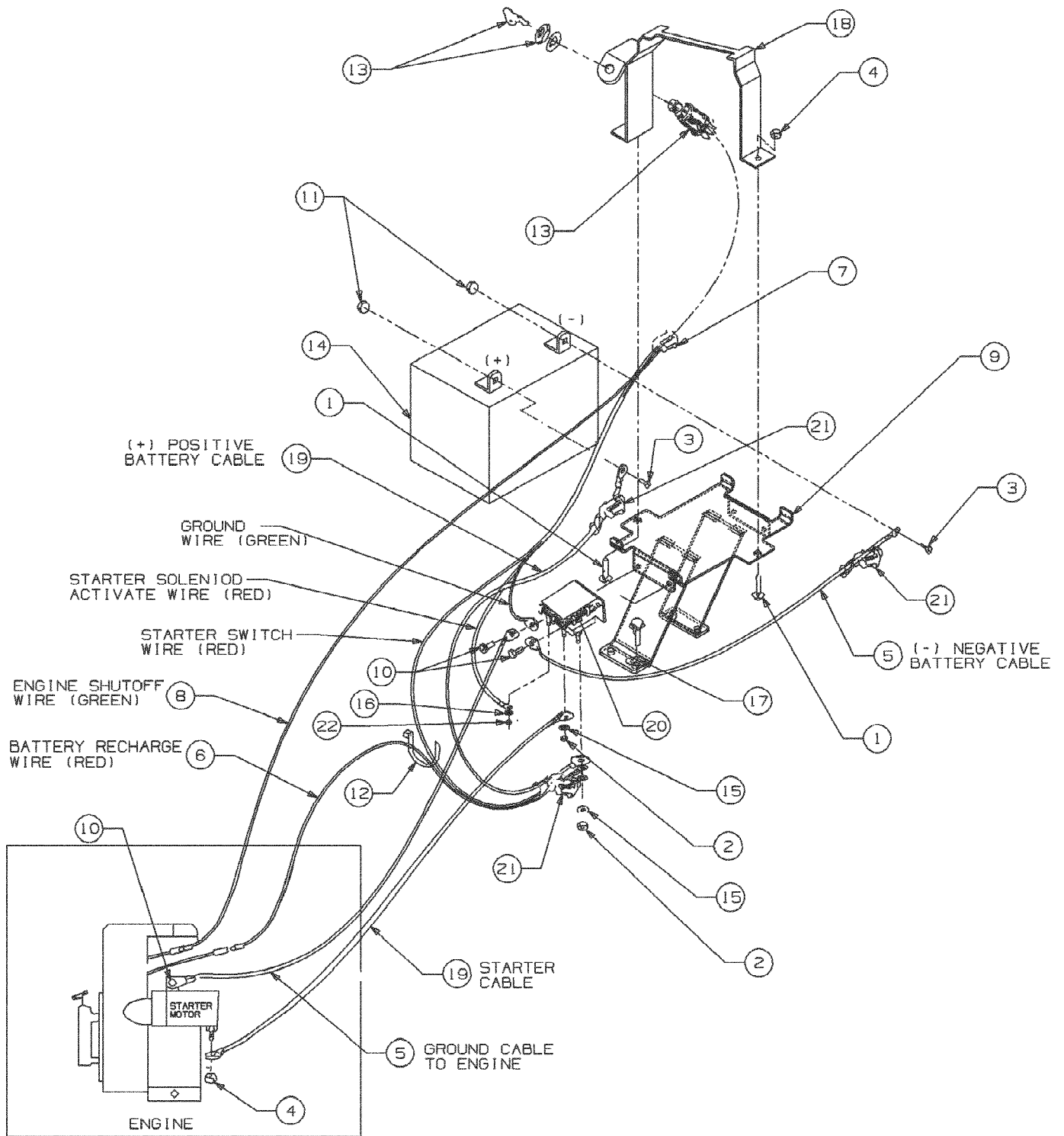
Page 9 of 24

Ref #	Part Number	Qty	S/P/F	Description
1	GW-1714	1	S	Bearing, Tapered Roller with Race MAIN DRIVE SHAFT
2	GW-20718	1	S	Spur Gear MAIN DRIVE SHAFT
3	GW-9301	1	S	Key, 3/16 sq. x 1 MAIN DRIVE SHAFT
4	GW-20912	1		Main Drive Shaft (Drive shaft is one-piece with integral, single-lead, work-hardened front worm, and integral, six-lead, work-hardened rear worm. Also includes pressed-on GW-1714 and GW-9301); MAIN DRIVE SHAFT
5	GW-1224-1	A/R	S/F	Shim, Rear Bearing Cap, .010" thick MAIN DRIVE SHAFT
5	GW-1224-2	A/R	S/F	Shim, same as above, but .030" thick MAIN DRIVE SHAFT
5	GW-1224-3	A/R	S/F	Shim, same as above, but .005" thick MAIN DRIVE SHAFT
	GW-1325C	A/R	/P	Shim Set (Incl. two GW-1224-1; two 1224-2 and one GW-1224-3); MAIN DRIVE SHAFT
6	GW-9572	1	S/F	Hex Hd. Screw, 5/16-24 x 1-1/8 INPUT PINION SHAFT & GEAR ASSEMBLY
7	GW-9944	1	S	Washer, Disc Spring (concave surface faces pulley) INPUT PINION SHAFT & GEAR ASSEMBLY
8	1108841	1	S	Key, 3/16 sq. x 1-1/2 INPUT PINION SHAFT & GEAR ASSEMBLY
9	1916522	1	S	Transmission Drive Pulley INPUT PINION SHAFT & GEAR ASSEMBLY
10	GW-1440	1	S	Support Washer INPUT PINION SHAFT & GEAR ASSEMBLY
11	721-04044	1	S	Oil Seal, Input Pinion Shaft INPUT PINION SHAFT & GEAR ASSEMBLY
12	1113527	1	S	Retaining Ring (external) INPUT PINION SHAFT & GEAR ASSEMBLY
13	GW-9953	2	/P	Thrust Washer INPUT PINION SHAFT & GEAR ASSEMBLY
14	GW-9428	1	/P	Bushing INPUT PINION SHAFT & GEAR ASSEMBLY
15	GW-9677	1	/P/F	Set Screw, 5/16-18 x 3/8 INPUT PINION SHAFT & GEAR ASSEMBLY
16	GW-20791	1	/P	Input Pinion (steel shaft) INPUT PINION SHAFT & GEAR ASSEMBLY
17	GW-20792	1	S	Input Pinion Gear INPUT PINION SHAFT & GEAR ASSEMBLY

21A-664D063 7 HP Roto-Tiller (2003)
Drive Shaft, Input Pinion Shaft And Gear Assembly

Page 10 of 24

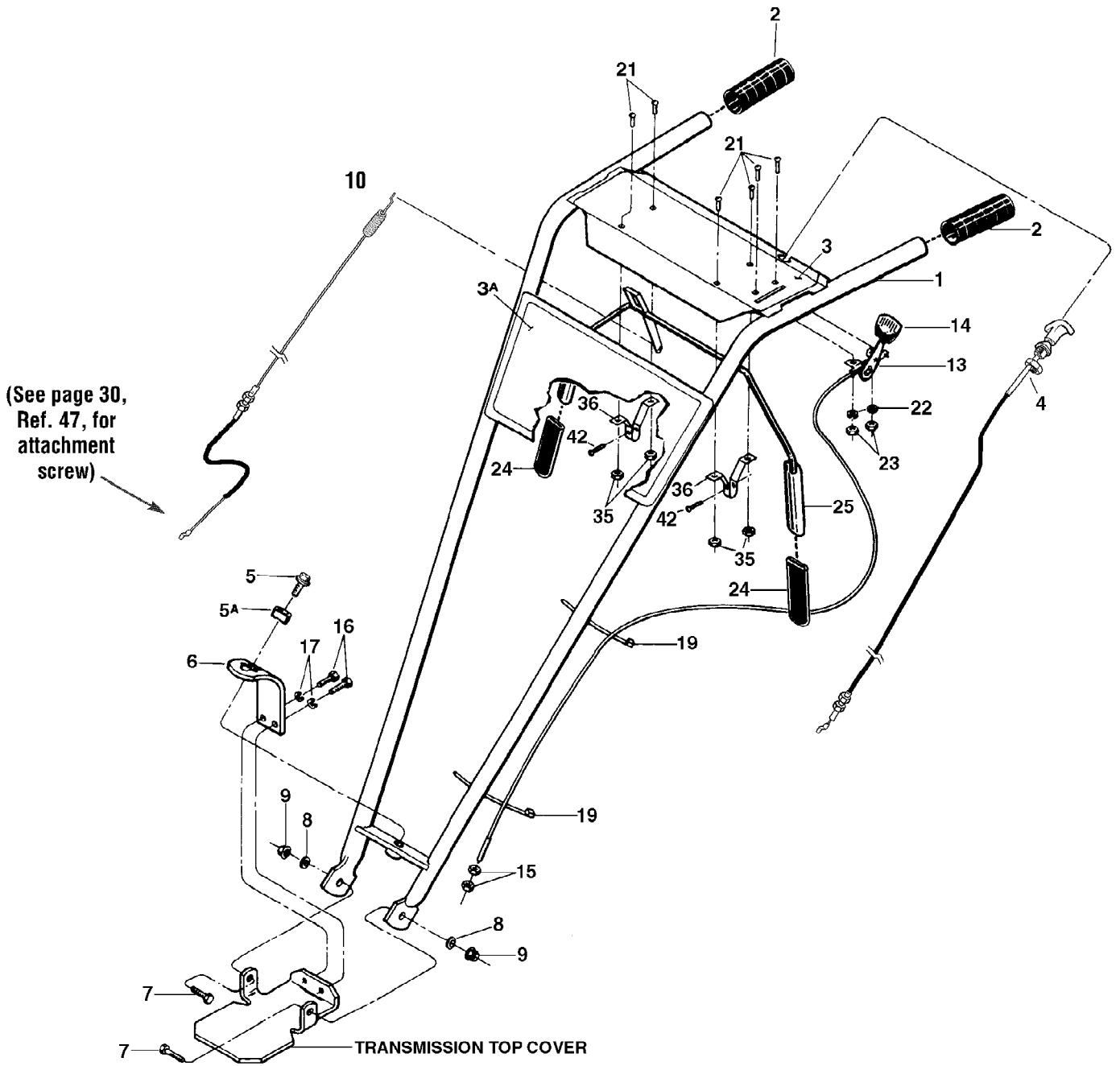
Ref #	Part Number	Qty	S/P/F	Description
18	GW-9093	1	/P	Retaining Ring (external) INPUT PINION SHAFT & GEAR ASSEMBLY
19	GW-20799	A/R	/P	Pinion Assy. (Incl. one each Refs. 16, 17 and 18); INPUT PINION SHAFT & GEAR ASSEMBLY
20	GW-9517	1	S	Retaining Ring (internal) INPUT PINION SHAFT & GEAR ASSEMBLY



21A-664D063 7 HP Roto-Tiller (2003)
Electric Start System

Page 12 of 24

Ref #	Part Number	Qty	S/P/F	Description
1	1186073	2	/P	Carriage Screw, 1/4-20 x 1.25
2	1186211	2	/P	Hex Nut, 5/16-24
3	1186390	2		Flange Screw, 1/4-20 x .625
4	1186389	2	/P	Hex Locknut, 1/4-20
5	1901202	2	/P	Cable (ground wire to starter motor bracket)
6	1901894	1	/P	Recharge Wire Assembly
7	1908118	1	S	Wire Harness Assy. (available as complete assembly only). Incl. wire assy. w/connector to large solenoid stud (red wire); wire assy. w/connector to small solenoid stud (red wire); wire assy. w/connector to solenoid grounding screw (red wire); wire assy w/connector to engine ground shut-off (green wire); plastic protector tube; wire terminal
8	1917262	1	/P	Ground Wire Assy. (shut off)
9	686-04024	1	S	Battery Bracket Assembly, Pony
10	710-0599	3	/P	Self-tapping Screw, 1/4-20 x .5
11	712-3006	2	/P	Hex Nut, 1/4-20
12	725-0157	1	/P	Cable Tie
13	725-0267	1	S	Ignition Switch
14	725-1706	1	S	Battery, 270 CCA
15	736-0119	2	S	Lock Washer 5/16
16	736-0147	1	S	Lock Washer, #10
17	736-0607	2	/P	External Lock Washer, 5/16
18	GW-2614	1	S	Keyswitch Clamp
19	96510	1	S	Cable (solenoid to starter motor)
20	96514	1	S	Solenoid (Incl. nuts and washers for cables and wires)
21	97020	2	S	Boot, Insulating
22	9853	1	S	Hex Locknut, #10-32
	777S30648	1	/P	Label, Ignition Switch



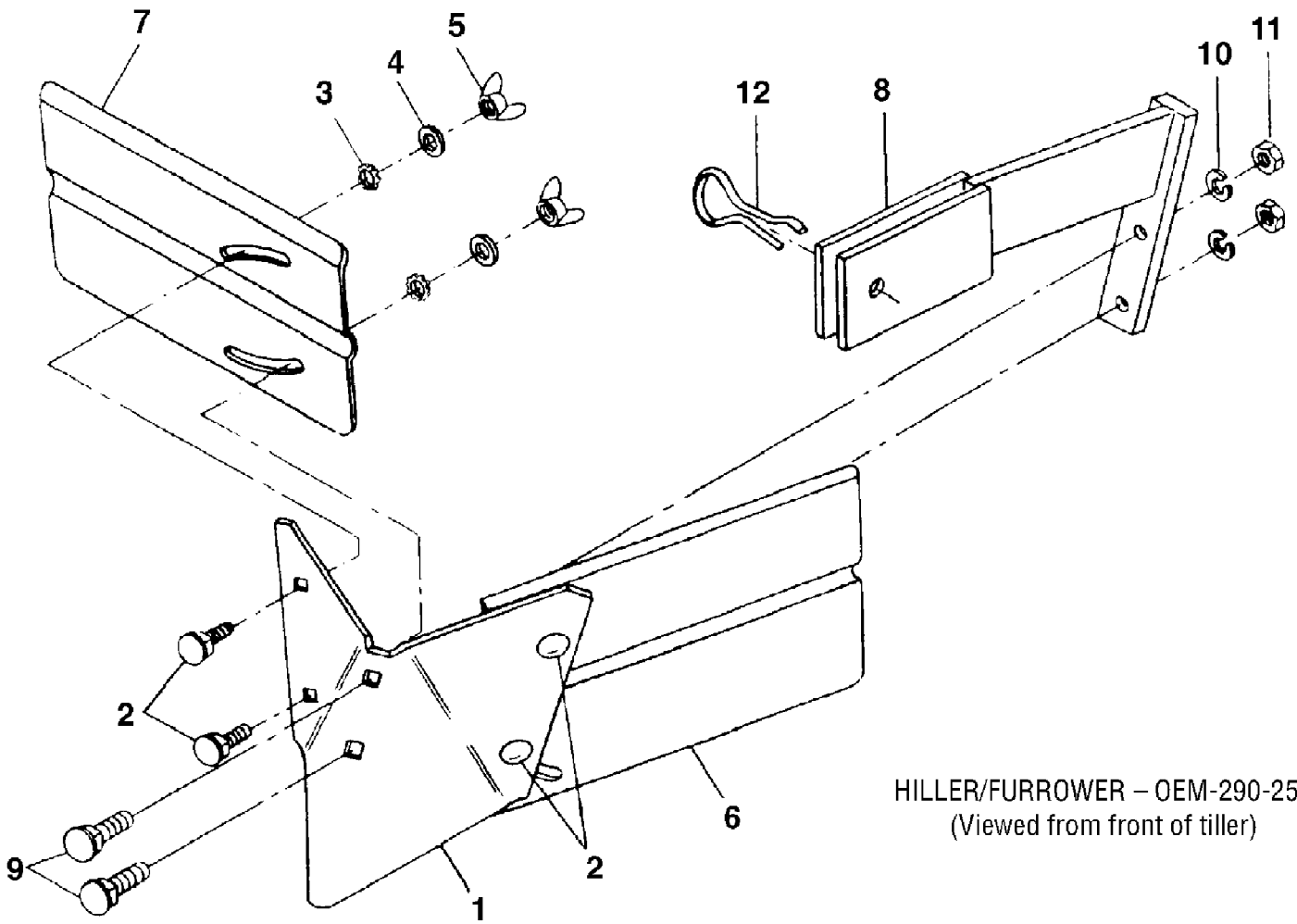
21A-664D063 7 HP Roto-Tiller (2003)
Handlebar

Page 14 of 24

Ref #	Part Number	Qty	S/P/F	Description
1	1918811	1	S	Handlebars
2	GW-9126	2	S	Grip
3	777I22088	1	S	Decal, Control Panel
3A	777D05553	1		Decal, Model Name/Logo
4	1916784	1	S	Reverse Clutch Control Cable
5	1186347	1	S	Height Adjustment Screw
5A	GW-9955	1	S	Washer, Keyed
6	1900475	1	S	Bracket, Handlebar Height Adjustment
7	710-0514	2	/P	Hex Hd. Screw, 3/8-16 x 1
8	736-3050	2	/P	Washer, Plain (flat) 3/8, S.A.E.
9	712-3000	2	S	Hex Locknut, 3/8-16
10	1918791	1	S	Cable, Forward Clutch Control
13	GW-9442	1	S	Wheel Gear Control and Cable Assy.
14	GW-9057	1	/P	Knob, Wheel Gear Control Lever
15	1186211	2	/P	Hex Nut, 5/16-24
16	710-0216	2	/P	Hex Hd. Screw, 3/8-16 x 3/4
17	736-0169	2	S	Lockwasher, 3/8
19	725-0157	2	/P	Cable Ties, Plastic
21	1114748	6	/P	Round Hd. Screw, #10-32 x 1/2
22	1100240	2	/P	Lockwasher, #10
23	1186208	2	/P	Hex Nut, #10-32
24	GW-9390	2	/P	Grip
25	1918840	1	/P	Bail, Forward Clutch Control
35	GW-9853	4	/P	Sems Nut
36	GW-20806	2	/P	Bracket, Bail Support
42	710-0599	2	/P	Hex Flange Screw, self-tapping, 1/4-20 x 1/

21A-664D063 7 HP Roto-Tiller (2003)
Hiller / Furrower Attachment

Page 15 of 24



HILLER/FURROWER - OEM-290-251
(Viewed from front of tiller)

21A-664D063 7 HP Roto-Tiller (2003)
Hiller / Furrower Attachment

Page 16 of 24

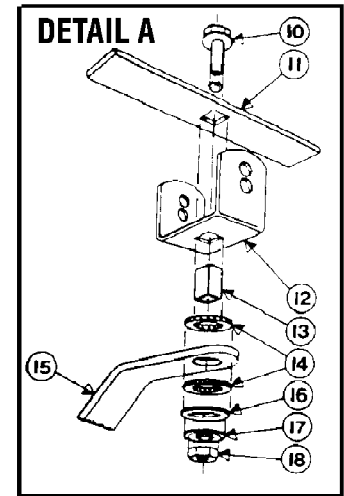
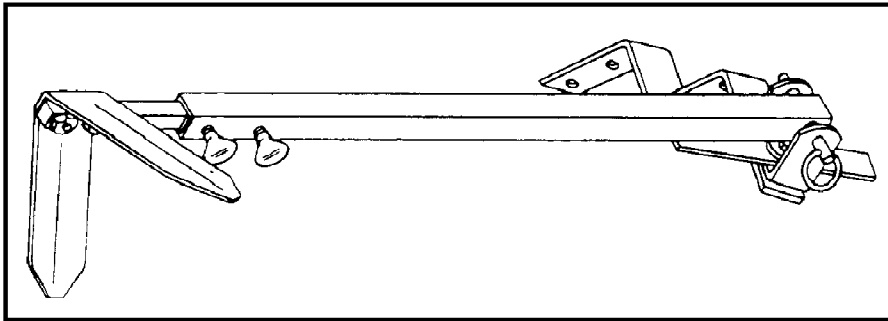
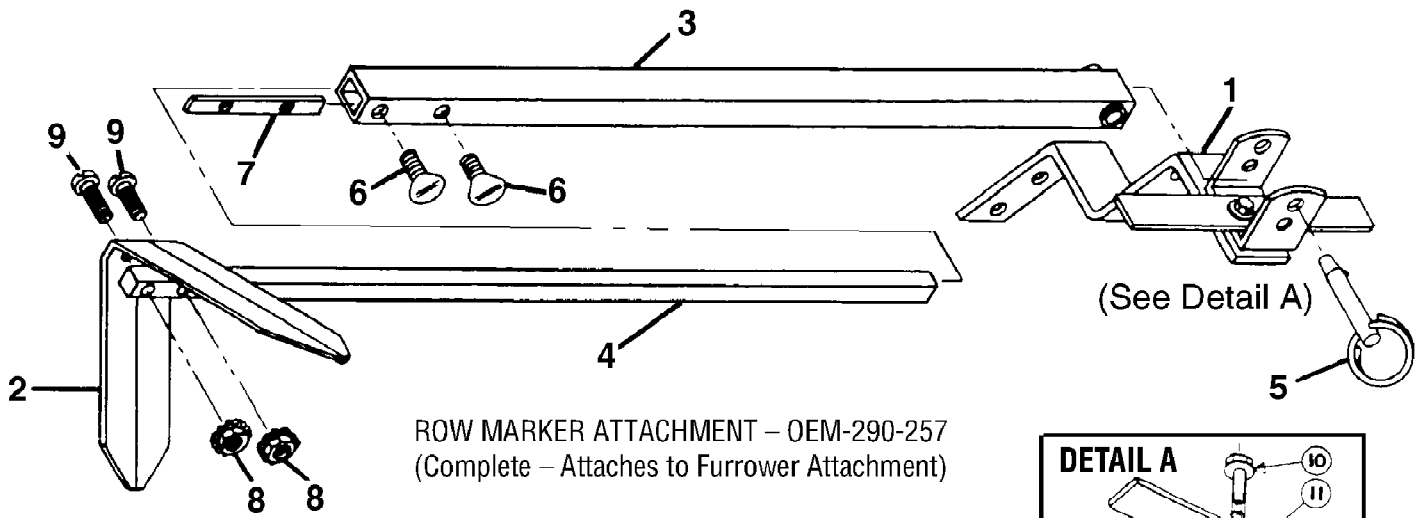
Ref #	Part Number	Qty	S/P/F	Description
1	1900771001	1	/P	Furrower Blade
2	1186098	4	/P	Carriage Bolt, 5/16-18 x 3/4
3	1177548	4	S	Star Washer, External Tooth, 5/16
4	GW-9902	4	S	Plain Washer, 5/16 S.A.E
5	GW-9824	4	/P	Wing Nut, 5/16-18
6	1900773001	1	/P	Hiller Wing, left
7	1900774001	1	/P	Hiller Wing, right
8	1900772001	1	S	Blade Mounting Bracket
9	GW-9725	2	S	Carriage Bolt, 3/8-16 x 1-1/2
10	1100243	2	S	Lockwasher, 3/8, plated
11	1186231	2	S	Hex Nut, 3/8-16, plated
12	GW-9318	1	/P	Clinch Pin

21A-664D063 7 HP Roto-Tiller (2003)
Hood, Bracket And Depth Regulator

Page 18 of 24

Ref #	Part Number	Qty	S/P/F	Description
1	1917605	1	/P	Tine Hood (Incl. hood flap and Ref.17)
2	710-0577	2		Lockwasher, 3/8
3	GW-2527	1	/P	Bracket-hood & depth regulator (Incl. Ref. No. 9)
4	1186328	2	S	Hex Flange Screw, 5/16-18 x 5/8
5	712-0291	1	S	Hex Locknut, 1/4-20
6	710-0597	1	/P	Hex Hd. Screw, 1/4-20 x 1
7	GW-9384	1	S	Spring
8	GW-9534	1	/P	Spacer
9	1185469	1	S	Roll Pin (spiral), 1/4 x 1
10	GW-1117A	1	S	Depth Adjustment Bar Assembly (Incl. Refs. 11 and 12)
11	GW-9120	1	/P	Retaining Ring (tolerance ring)
12	GW-9119	1	/P	Knob, Depth Regulator
13	710-3005	2	/P	Hex Hd. Screw, 3/8-16 x 1-1/4
14	GW-1113-1	2	S	Bushing, Drag Bar
15	712-0798	2	/P	Hex Nut, 3/8-16
16	GW-20775	1	S	Drag Bar
17	777S30649	1	/P	Decal, operating instructions
18	GW-9553	2	S	Hex Hd. Screw, self-tapping, 5/16-18 x 1/2
19	710-0599	2	/P	Hex Flange Screw, self-tapping, 1/4-20 x 1/2

21A-664D063 7 HP Roto-Tiller (2003)
Row Marker Attachment

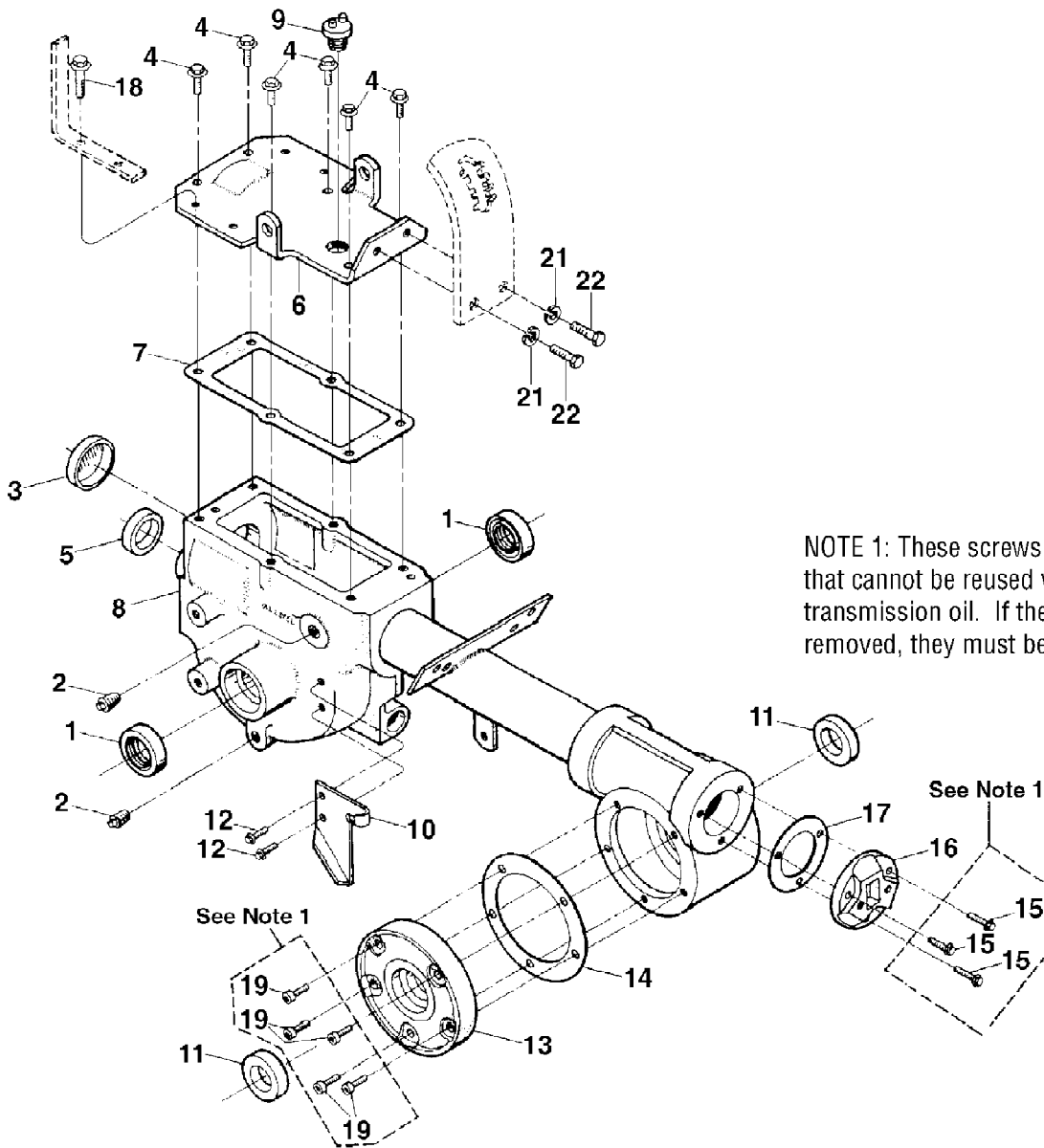


MAIN SUPPORT/YOKE ASSEMBLY
PART # 1904522001

21A-664D063 7 HP Roto-Tiller (2003)
Row Marker Attachment

Page 20 of 24

Ref #	Part Number	Qty	S/P/F	Description
	OEM-290-254	1		Row Marker Attachment (option)
1	1904522001	1		Main Support & Yoke Assy-complete. (Incl. Ref. No.'s 10,11,12,13,14,15,16,17 & 18)
2	GW-1594	1	/P	Marker Blade-blade only
3	1904524001	1		Marker Arm-main arm
4	1904523001	1		Marker Arm-extension arm with stop pin
5	GW-9347	1	/P	Hitch Pin- (incl. in Hardware Pkg GW-1837)
6	GW-9786	2		Thumbscrew-1/4-20 x 1/2, not avail. sep. (see hardware pkg. GW-1837)
7	GW-1596	1	/P	Nut Bar- (incl. in hardware pkg GW-1837)
8	GW-9828	2		Nut-hex, 10-24 w/attached start washers, not avail. sep. (see hardware pkg #1837)
9	1100135	2	/P	Screw-round hd.,10-24 x 1, not avail. sep. (see hardware pkg GW-1837)
	GW-1837	1	/P	Hardware Package- includes: one GW-9347 hitch pin (Ref. 5), two GW-9786 thumbscrews (Ref. 6), one GW-1596 nut bar (Ref. 7), two GW-9828 hex nuts (Ref. 8), two 1100135 screws (Ref. 9)
10	1186349	1	/P/F	Screw-hex flanged locking, 3/8-16 x 1-1/2
11	GW-1593	1	/P	Stop Bar
12	GW-1592	1	/P	Yoke
13	GW-1591	1	/P	Tube Key-square
14	GW-1590	2	/P	Washer-friction
15	GW-1588	1	/P	Main Support
16	GW-1589	1	/P	Washer-square hole
17	GW-9925	1		Washer-disc spring
18	1186231	1	S	Nut-hex 3/8-16
OEM-290-257	OEM-290-257	1		Row Marker Attachment (Complete - Attaches to Furrower Attachment)

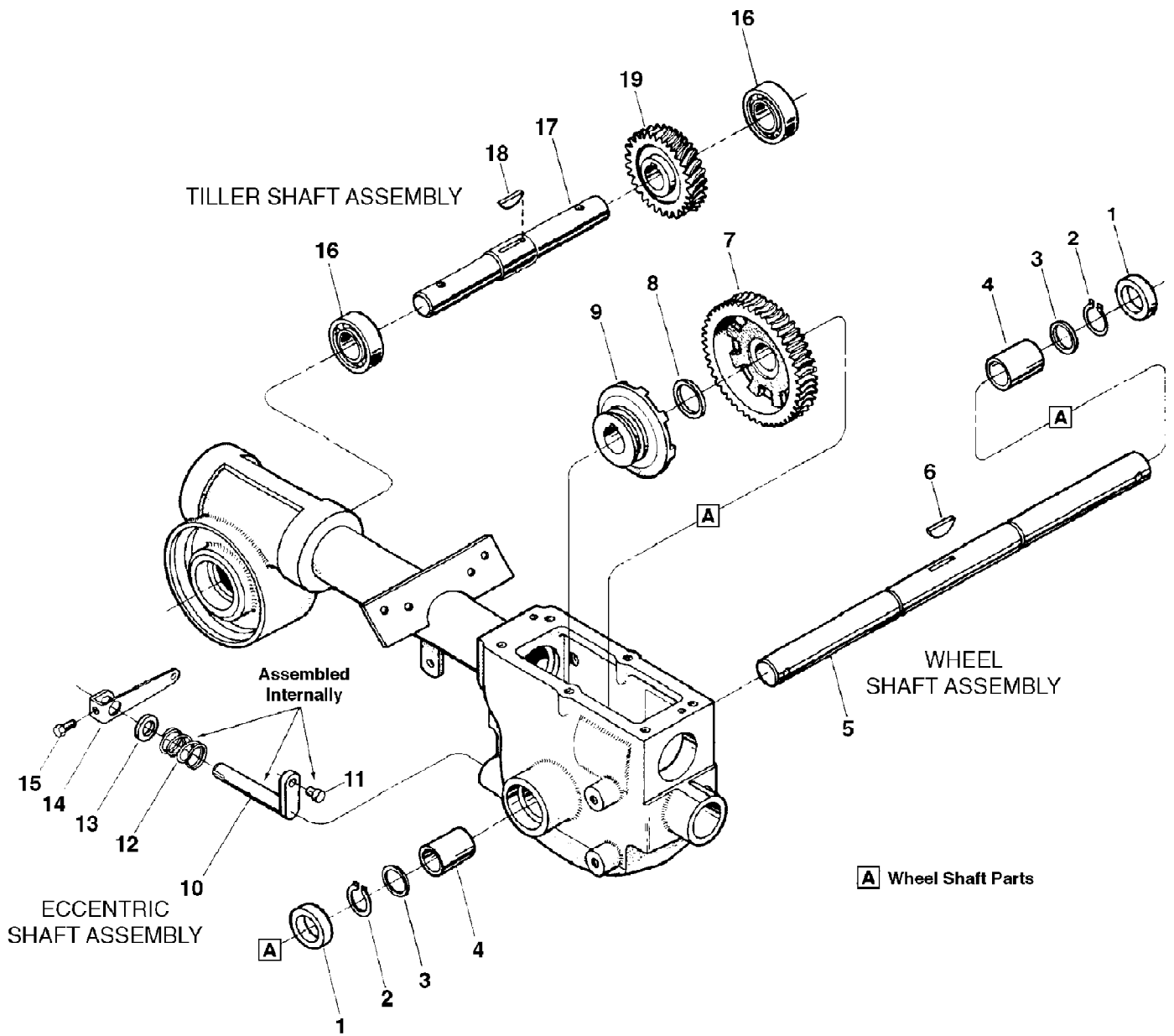


21A-664D063 7 HP Roto-Tiller (2003)
Transmission

Page 22 of 24

Ref #	Part Number	Qty	S/P/F	Description
1	721-04031	2	S	Oil Seal (Double Lip), Wheel Shaft
2	1105620	2	/P	Pipe Plug, 1/4,
3	721-04001	1	/P	Seal, Transmission Bore
4	1186329	6	S/F	Hex Flange Screw, 5/16-18 x 3/4
5	1983632	1	S	Oil Seal, Input Pinion Shaft
6	1916193001	1	/P	Transmission Cover (Incl. four Ref. 18 and two ea. Refs. 21 & 22)
7	GW-20694	1	/P	Gasket, Transmission Top Cover
8	619-04010	1	S	Transmission Case Assy. (Incl. Tube and Rear Housing)
9	GW-9467	1	/P	Plug
10	1916198001	1	/P	Mounting Plate, Wheel Clutch Cable
11	721-04035	2	S	Oil Seal, Tiller Shaft
12	1186328	2	S/F	Hex Flange Screw, 5/16-18 x 5/8
13	GW-20873	1	/P	Tiller Housing Cover, left side
14	GW-1129-1	1	S	Gasket, Tiller Housing Cover, .010" (fits all covers) A/R
15	1915089	1	/P	Screw Kit: Incl. three 1/4-20 x 7/8 Self-Sealing Screws A/R
16	1900881001	1	S	Rear Bearing Cap
17	GW-1124-2	1	S	Gasket, Rear Bearing Cap, .010" Thick A/R
18	GW-90063	4	/P/F	Hex Flange Screw, 5/16-18 x 1
19	1915087	1	/P	Screw Kit Incl. five 1/4-20 x 5/8 Self-Sealing Screws A/R
21	736-0169	2	S	Lockwasher, 3/8
22	710-0216	2	/P/F	Hex Hd. Screw, 3/8-16 x 3/4

Wheel Shaft, Eccentric Shaft And Tiller Shaft Assemblies



Wheel Shaft, Eccentric Shaft And Tiller Shaft Assemblies

Ref #	Part Number	Qty	S/P/F	Description
1	721-04031	2	S	Oil Seal
2	1909950	2	S	Retaining Ring (heavy-duty, external)
3	GW-1166-1	A/R	S	Shim, 1-1/64 I.D., .062" thick
	GW-1166-2	A/R	/P	Shim, as above, but .030" thick
	GW-1166-3	A/R	/P	Shim, as above, but .015" thick
	GW-1166-4	A/R	S	Shim, as above, but .010" thick
4	GW-1086	2	S	Bushing
5	GW-2494	1	S	Wheel Shaft (Incl. Ref. 6)
6	GW-9373	1	/P	Hi-Pro Key, 1/4 x 1-5/16
7	GW-20914	1	/P	Wheel Drive Worm Gear (cast-iron)
8	GW-9935	1	/P	Shim (between key and gear), 1.016 I.D. x 1.468 O.D. x .062 Thick
9	GW-20712	1	/P	Wheel Drive Clutch (cast-iron)
10	611-04002	1	/P	Eccentric Shaft
11	GW-1442	1	S	Pin, Eccentric Shaft
12	GW-9055	1	/P	Spring
13	721-04034	1	S	Oil Seal
14	GW-20700	1	S	Eccentric Shaft Lever
15	710-3013	1	/P/F	Hex Hd. Screw, 1/4-20 x 1/2
16	741-3037	2	S	Ball Bearing
17	711-04080	1	S	Tiller Shaft (Incl. Ref. 18)
18	GW-1104	1	/P	Woodruff Key, 1/4 x 1-1/4
19	GW-20913	1	/P	Tiller Drive Worm Gear (bronze)