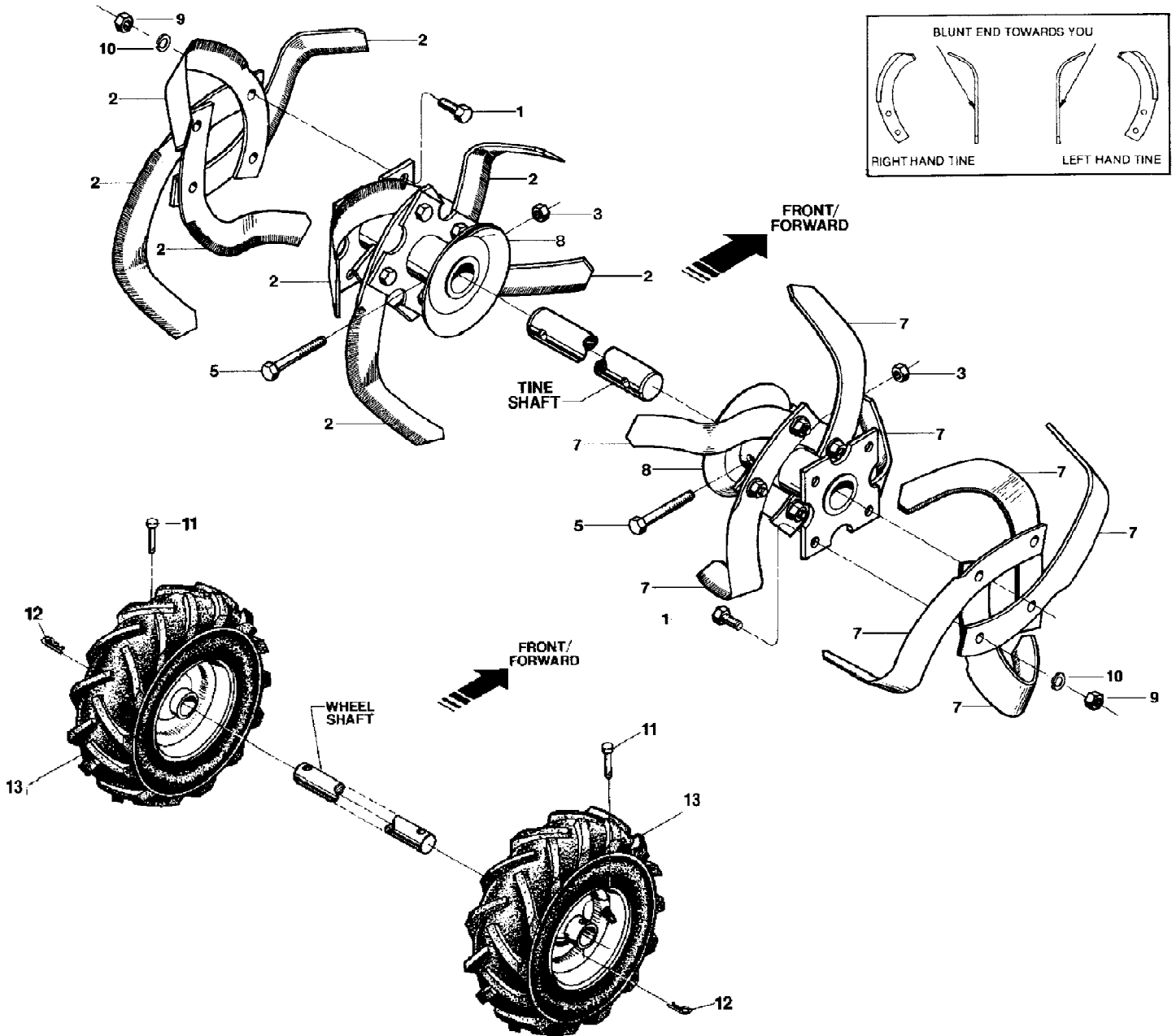


21A-664D063 7 HP Roto-Tiller (2002)
Bolo Tines, Wheels

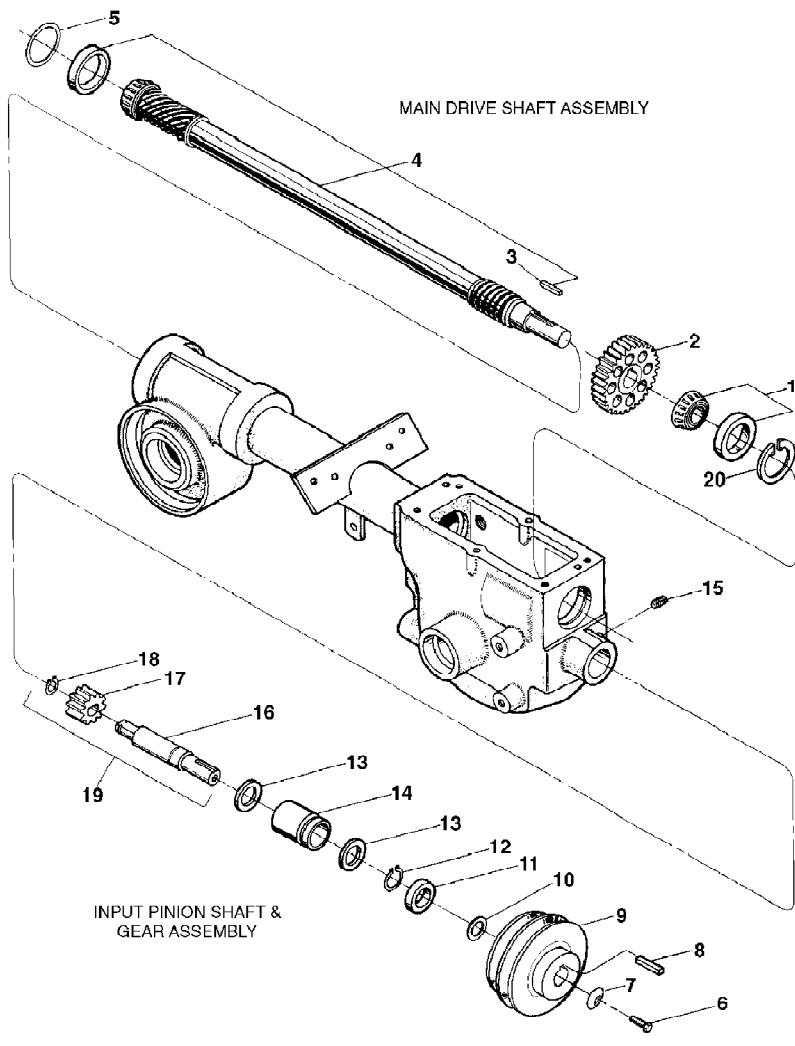


21A-664D063 7 HP Roto-Tiller (2002)
Bolo Tines, Wheels

Page 2 of 21

Ref #	Part Number	Qty	S/P/F	Description
1	710-3105	16		Hex Hd. Screw, 3/8-16 x 1-1/4
2	742-04119-0637	8	/P	Bolo Tine-single. Left
3	712-0375	2	/P	Hex Locknut, 3/8-16
5	710-3096	2	/P	Hex Hd. Screw, 3/8-16 x 2, Grade 8
7	742-04118-0637	8	/P	Bolo Tine-single. Right
8	1902154010	2	S	Tine Holder. For left and right sides
9	712-3017	16	S	Hex Nut, 3/8-16
10	736-0169	16	S	Lock Washer, 3/8
11	GW-9380	2	S	Clevis Pin, .312 x 1-3/4
12	GW-9338	2	S	Hitch Pin
13	1917487	2	S	Wheel and Tire Assembly
	1901118	1	S	Bolo Tine Replacement Set (Incl. eight ea. right hand and left hand tines, and sixteen ea. Refs. 1 and 3)
	GW-2475-1	8	S	Custom Tilling Bolo Tine, Left hand tine
	GW-2475-2	8	S	Custom Tilling Bolo Tine, Right hand tine
	GW-10802	1	/P	Custom Tilling Bolo Tine Replacement Set (Incl. eight ea. right hand and left hand custom tines, and sixteen each of Refs. 1 and 3)

21A-664D063 7 HP Roto-Tiller (2002)
Drive Shaft, Input Pinion Shaft And Gear Assemblies



21A-664D063 7 HP Roto-Tiller (2002)
Drive Shaft, Input Pinion Shaft And Gear Assemblies

Page 4 of 21

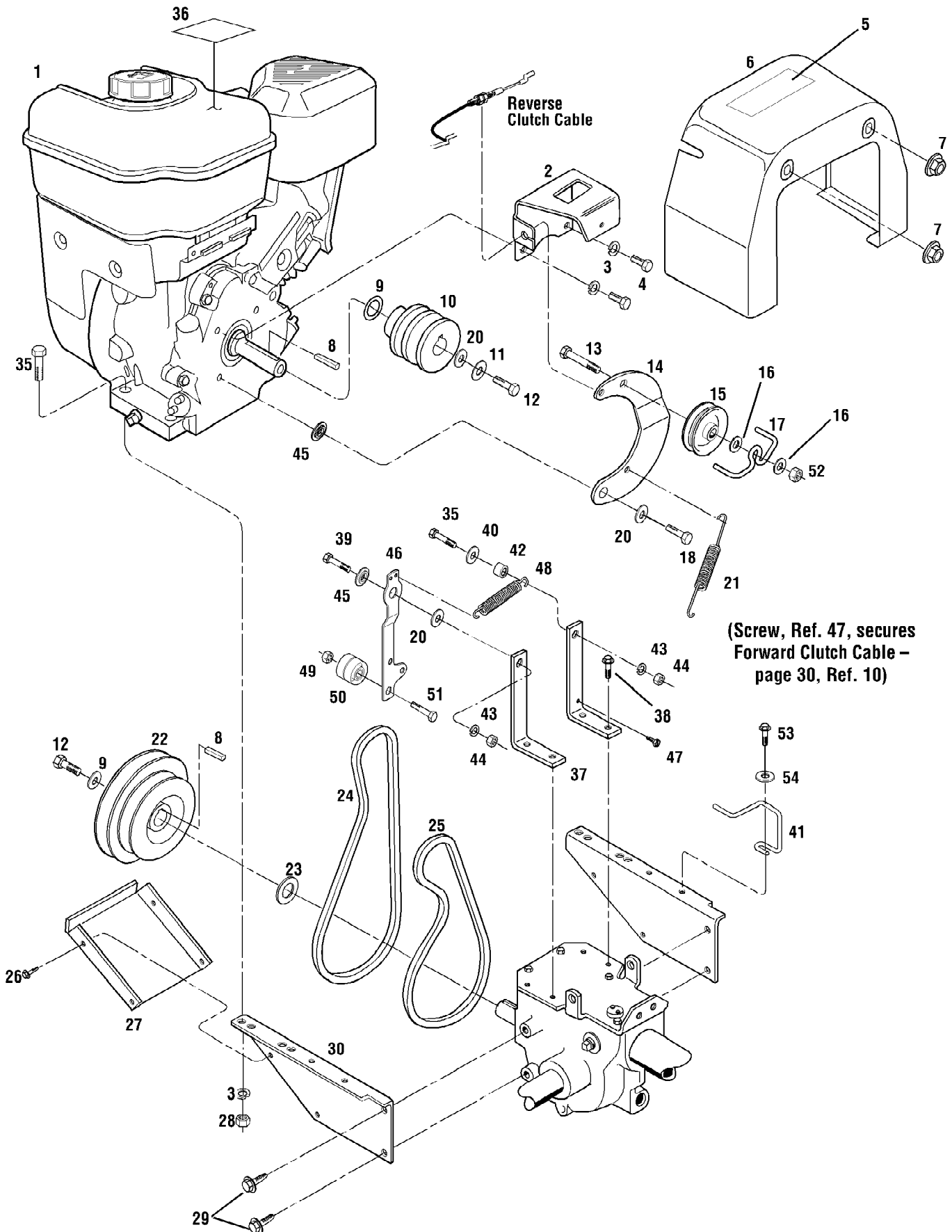
Ref #	Part Number	Qty	S/P/F	Description
1	941-0107	1	/P	Bearing, Tapered Roller with Race MAIN DRIVE SHAFT
2	GW-20718	1	S	Spur Gear MAIN DRIVE SHAFT
3	GW-9301	1	S	Key, 3/16 sq. x 1 MAIN DRIVE SHAFT
4	GW-11603	1		Main Drive Shaft (Drive shaft is one- piece with integral, single-lead, work-hardened front worm, and integral, six-lead, work-hardened rear worm. Also includes pressed-on GW-1714 and GW-9301); MAIN DRIVE SHAFT
5	GW-1224-1	A/R	S/F	Shim, Rear Bearing Cap, .010" thick MAIN DRIVE SHAFT
5	GW-1224-2	A/R	S/F	Shim, same as above, but .030" thick MAIN DRIVE SHAFT
5	GW-1224-3	A/R	S/F	Shim, same as above, but .005" thick MAIN DRIVE SHAFT
	GW-1325C	A/R	/P	Shim Set (Incl. two GW-1224-1; two 1224-2 and one GW-1224-3); MAIN DRIVE SHAFT
6	910-0672	1	S/F	Hex Hd. Screw, 5/16-24 x 1-1/8 INPUT PINION SHAFT & GEAR ASSEMBLY
7	GW-9944	1	S	Washer, Disc Spring (concave surface faces pulley) INPUT PINION SHAFT & GEAR ASSEMBLY
8	914-0133	1	/P	Key, 3/16 sq. x 1-1/2 INPUT PINION SHAFT & GEAR ASSEMBLY
9	1916522	1	S	Transmission Drive Pulley INPUT PINION SHAFT & GEAR ASSEMBLY
10	GW-1440	1	S	Support Washer INPUT PINION SHAFT & GEAR ASSEMBLY
11	1983632	1	S	Oil Seal, Input Pinion Shaft INPUT PINION SHAFT & GEAR ASSEMBLY
12	916-0101	1	/P	Retaining Ring (external) INPUT PINION SHAFT & GEAR ASSEMBLY
13	GW-9953	2	/P	Thrust Washer INPUT PINION SHAFT & GEAR ASSEMBLY
14	GW-9428	1	/P	Bushing INPUT PINION SHAFT & GEAR ASSEMBLY
15	GW-9677	1	/P/F	Set Screw, 5/16-18 x 3/8 INPUT PINION SHAFT & GEAR ASSEMBLY
16	GW-20791	1	/P	Input Pinion (steel shaft) INPUT PINION SHAFT & GEAR ASSEMBLY
17	GW-20792	1	S	Input Pinion Gear INPUT PINION SHAFT & GEAR ASSEMBLY

21A-664D063 7 HP Roto-Tiller (2002)
Drive Shaft, Input Pinion Shaft And Gear Assemblies

Page 5 of 21

Ref #	Part Number	Qty	S/P/F	Description
18	GW-9093	1	/P	Retaining Ring (external) I INPUT PINION SHAFT & GEAR ASSEMBLY
19	GW-20799	A/R	/P	Pinion Assy. (Incl. one each Refs. 16, 17 and 18; INPUT PINION SHAFT & GEAR ASSEMBLY
20	GW-9517	1	S	Retaining Ring (internal) INPUT PINION SHAFT & GEAR ASSEMBLY

21A-664D063 7 HP Roto-Tiller (2002)
Engine, Support Brackets, Pulleys, Belts, Belt Cover



21A-664D063 7 HP Roto-Tiller (2002)
 Engine, Support Brackets, Pulleys, Belts, Belt Cover

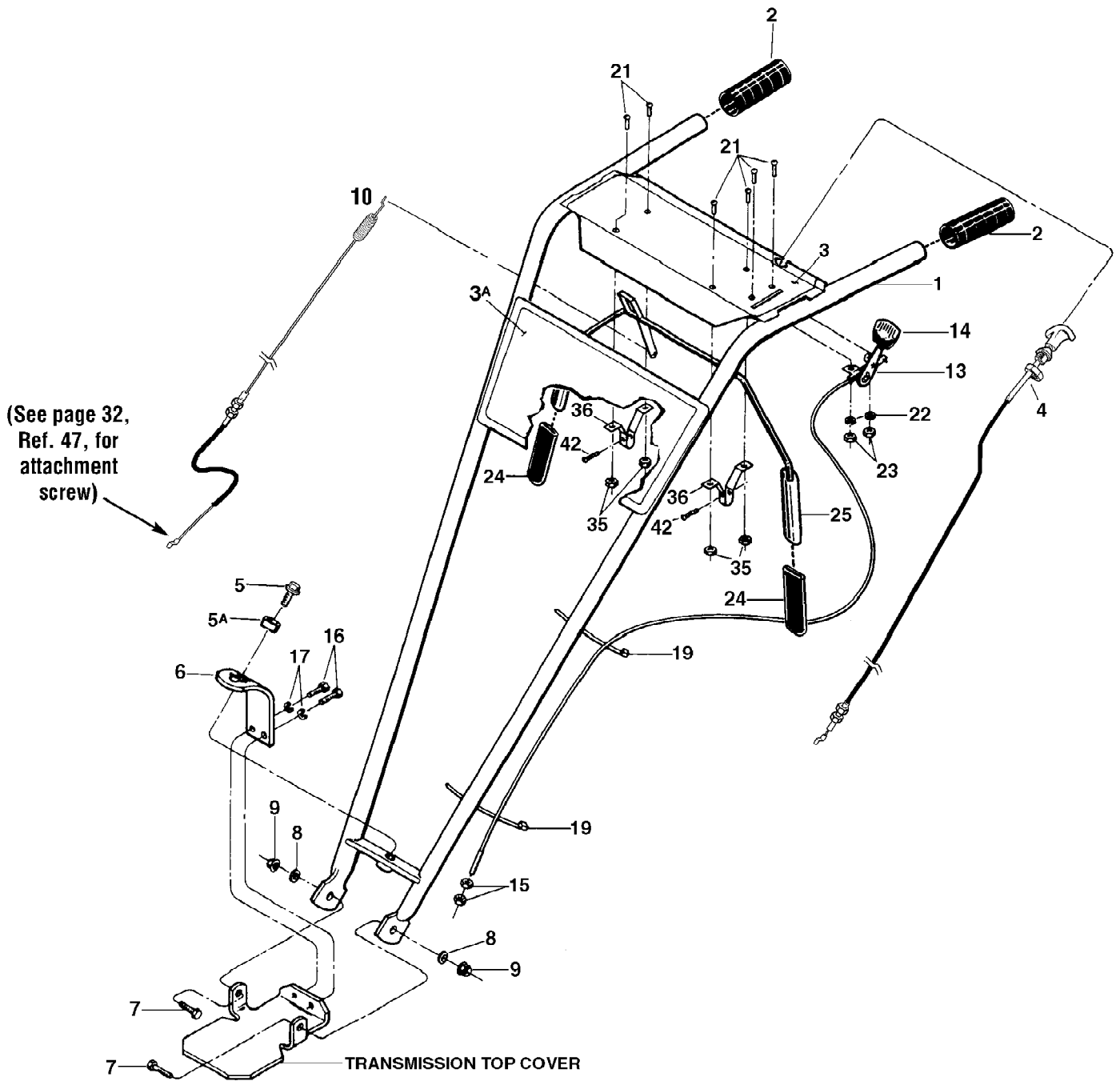
Page 7 of 21

Ref #	Part Number	Qty	S/P/F	Description
1		1		Engine-standard recoil start See your local authorized engine service dealer for engine parts or service. Refer to engine nameplate for engine type and code information.
		1		Engine-electric start See your local authorized engine service dealer for engine parts or service. Refer to engine nameplate for engine type and code information.
2	1917326001	1	S	Bracket, Clutch Cable
3	736-0119	6	S	Lockwasher-5/16
4	710-0107	2	/P	Hex Hd. Screw, 5/16-24 x 1/2
5	777S30651	1		Decal, Hot Surfaces/Belt Warning
6	1917139	1	S	Cover (Incl. Ref. 5)
7	712-3004A	2	/P	Flange Lock Nut, 5/16-18
8	914-0133	2	/P	Key, 3/16 x 1-1/2
9	GW-1138-1	1	S	Shim
10	1916520	1	S	Pulley, Engine Drive
11	GW-9944	2	S	Belleville Washer
12	910-0672	2	S	Hex Hd. Screw, 5/16-24 x 1-1/8
13	710-3103	1	/P	Hex Hd. Screw, 5/16-18 x 2
14	1918731	1	S	Reverse Idler Arm
15	1916535	1	/P	Pulley, Reverse Idler
16	1107382	2	/P	Flat Washer, 5/16
17	1916725	1	S	Belt Guide, Wire Formed
18	910-0888	1	S	Hex Head Screw, 5/16-24 x 1
?19	1917746	1	S	Washer, Shoulder
20	GW-9929	3	/P	Washer, Flat, 1-1/8
21	1916728	1	S	Spring, Reverse Return
22	1916522	1	S	Transmission Pulley
23	GW-1440	1	S	Support Washer
24	1918812	1	/P	Reverse Clutch Belt
25	1909404	1	/P	Forward Clutch Belt
26	1900396	4	/P	Self-tapping Screw, #10-32 x 1/2,
27	GW-20673	1	S	Guard, Belts/Pulleys
28	712-0267	4	S	Hex Nut, 5/16-18
29	1186329	4	S/F	Hex Flange Screw, 5/16-18 x 3/4
30	1916797001	1	/P	Engine Support Bracket, left side
?31	1916796001	1	S	Engine Support Bracket, right side
35	710-0805	5	/P	Hex Hd. Screw, 5/16-18 x 1-1/2
36	777I20942	1		Decal, Stabilization
37	1918774	2	S	Mounting Bar
38	GW-90063	4	/P	Hex Flange Screw, 5/16-18 x 1
39	710-3037	1	S/F	Hex Hd. Screw, 5/16-18 x 2-1/4
40	736-0275	1	S	Flat Washer, 5/16'
41	1918846	2	S	Belt Guide, Pony
42	GW-55088	2	/P	Pivot Bushing
43	736-0119	2	S	Lockwasher, 5/16
44	712-0267	2	S	Hex Nut, 5/16-18
45	1917746	2	S	Washer, Shoulder
46	1918744	1	S	Idler Arm, Forward Tiller Direction
47	1767754	1	/P	Screw, self tapping, #10-24
48	1916727	1	/P	Spring

21A-664D063 7 HP Roto-Tiller (2002)
Engine, Support Brackets, Pulleys, Belts, Belt Cover

Page 8 of 21

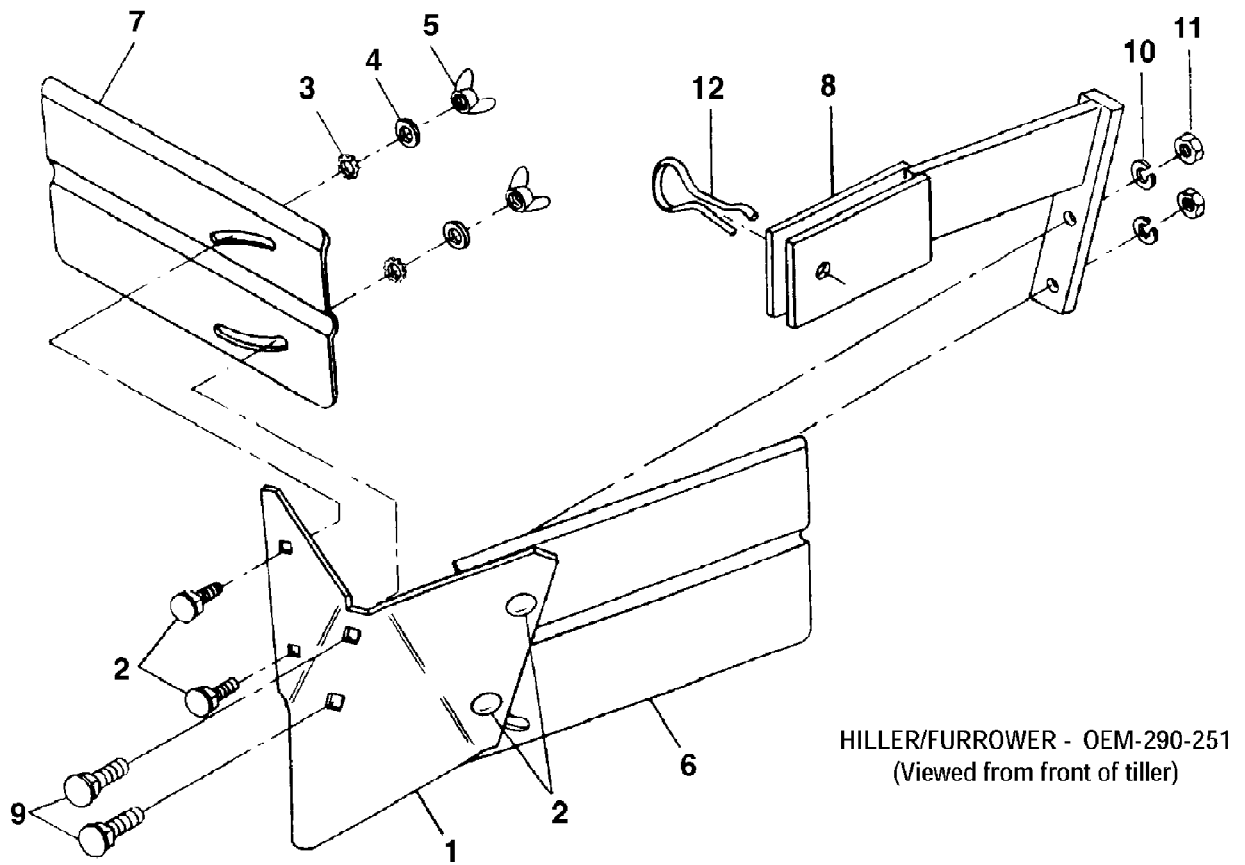
Ref #	Part Number	Qty	S/P/F	Description
49	712-3000	1	S	Hex Locknut, 5/16-18
50	GW-9090	1	S	Idler Pulley, Forward
51	710-0347	1	/P	Screw, 3/8-16 x 1-3/4
52	712-0158	1	S	Hex Lock Nut, 5/16-18
53	1754128	1	/P	Screw, 1/4-20 x 3/4
54	736-0463	1	S	Flat Washer-1/4



21A-664D063 7 HP Roto-Tiller (2002)
Handlebar Assembly And Control Levers

Page 10 of 21

Ref #	Part Number	Qty	S/P/F	Description
1	1918811	1	S	Handlebars
2	GW-9126	2	S	Grip
3	777I20938	1	S	Decal, Control Panel
3A	777D05553	1		Decal, Model Name/Logo
4	1916784	1	S	Reverse Clutch Control Cable
5	1186347	1	S	Height Adjustment Screw
5A	GW-9955	1	S	Washer, Keyed
6	1900475	1	S	Bracket, Handlebar Height Adjustment
7	710-0514	2	/P	Hex Hd. Screw, 3/8-16 x 1
8	736-3050	2	/P	Washer, Plain (flat) 3/8, S.A.E.
9	712-3000	2	S	Hex Locknut, 3/8-16
10	1918791	1	S	Cable, Forward Clutch Control
13	GW-9442	1	S	Wheel Gear Control and Cable Assy.
14	GW-9057	1	/P	Knob, Wheel Gear Control Lever
15	1186211	2	/P	Hex Nut, 5/16-24
16	710-0216	2	/P	Hex Hd. Screw, 3/8-16 x 3/4
17	736-0169	2	S	Lockwasher, 3/8
19	725-0157	2	/P	Cable Ties, Plastic
21	1114748	6	/P	Round Hd. Screw, #10-32 x 1/2
22	1100240	2	/P	Lockwasher, #10
23	1186208	2	/P	Hex Nut, #10-32
24	GW-9390	2	/P	Grip
25	1918840	1	/P	Bail, Forward Clutch Control
35	GW-9853	4	/P	Sems Nut
36	GW-20806	2	/P	Bracket, Bail Support
42	710-0599	2	/P	Hex Flange Screw, self-tapping, 1/4-20 x 1/

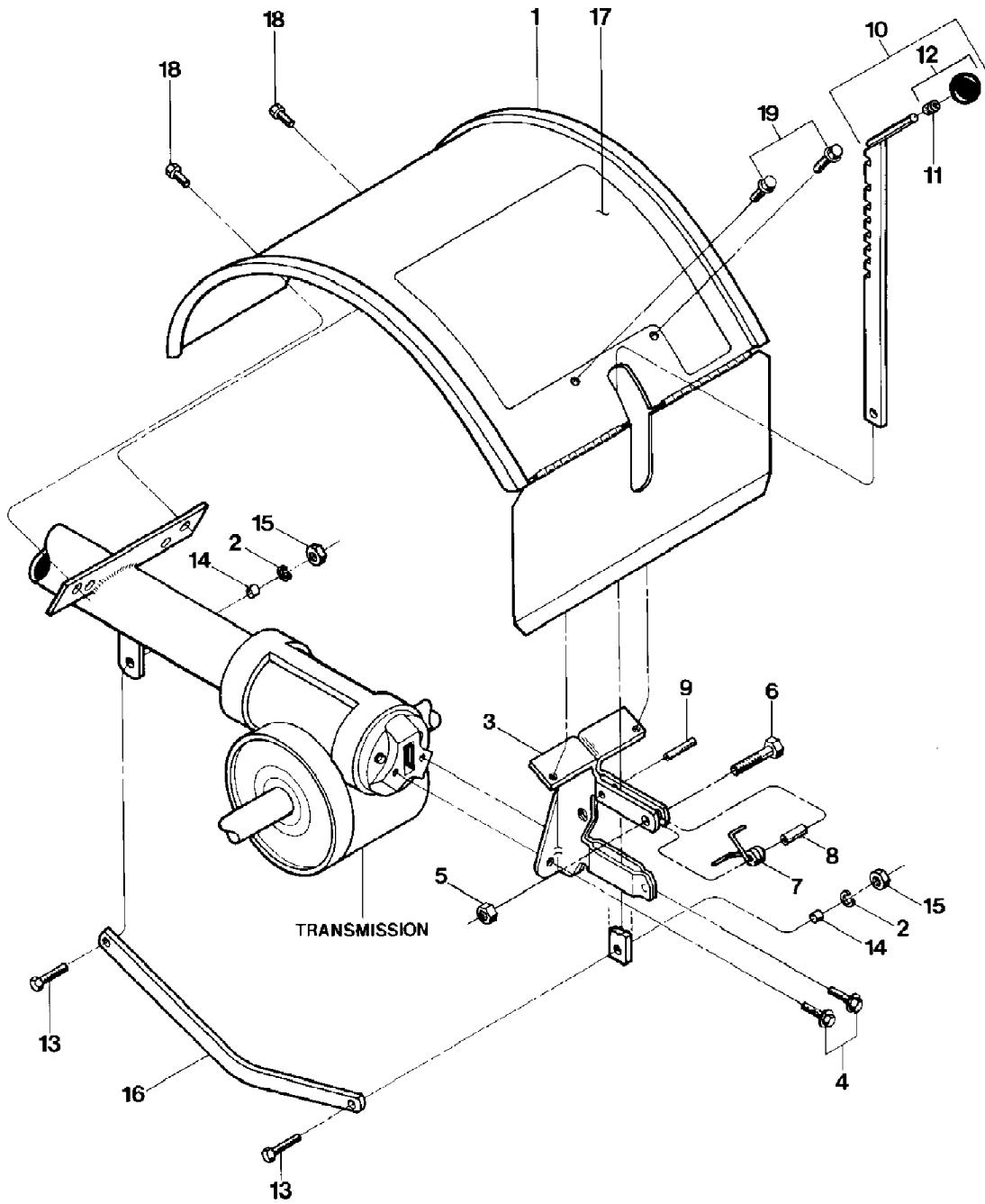


21A-664D063 7 HP Roto-Tiller (2002)
Hiller/Furrower Attachement

Page 12 of 21

Ref #	Part Number	Qty	S/P/F	Description
1	1900771001	1	/P	Furrower Blade
2	1186098	4	/P	Carriage Bolt, 5/16-18 x 3/4
3	1177548	4	S	Star Washer, External Tooth, 5/16
4	736-0567	4	/P	Plain Washer, 5/16 S.A.E.
5	GW-9824	4	/P	Wing Nut, 5/16-18.
6	1900773001	1	/P	Hiller Wing, left
7	GW-2736-02	1	S	Hiller Wing, right
8	GW-2636	1	/P	Blade Mounting Bracket
9	710-0431	2	/P	Carriage Bolt, 3/8-16 x 1-1/2
10	936-0169	2	/P	Lockwasher, 3/8, plated
11	912-3017	2	/P	Hex Nut, 3/8-16, plated
12	GW-9318	1	/P	Clinch Pin

21A-664D063 7 HP Roto-Tiller (2002)
Hood, Bracket And Depth Regulator

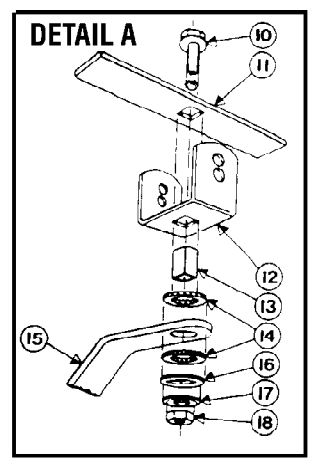
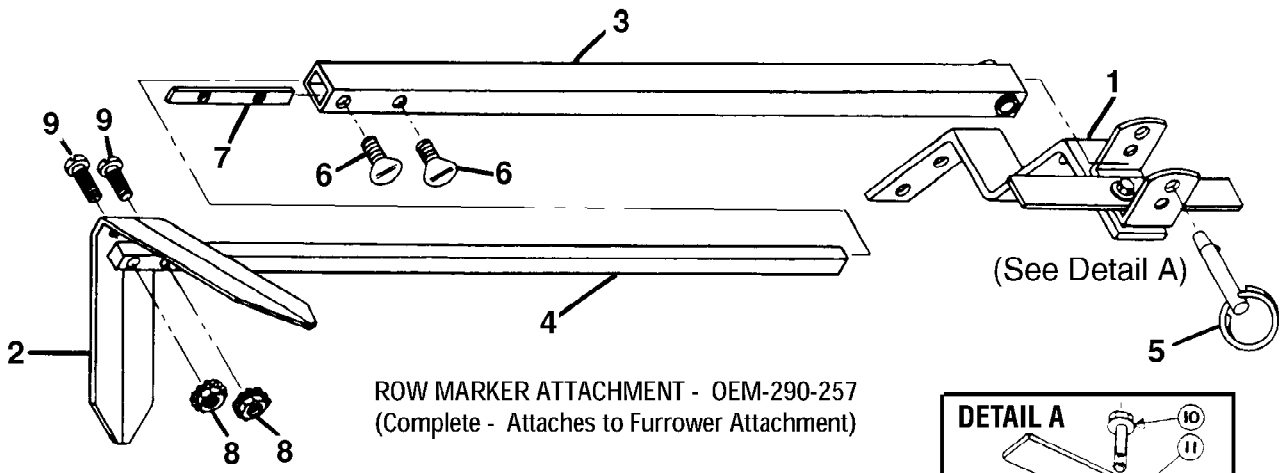


21A-664D063 7 HP Roto-Tiller (2002)
Hood, Bracket And Depth Regulator

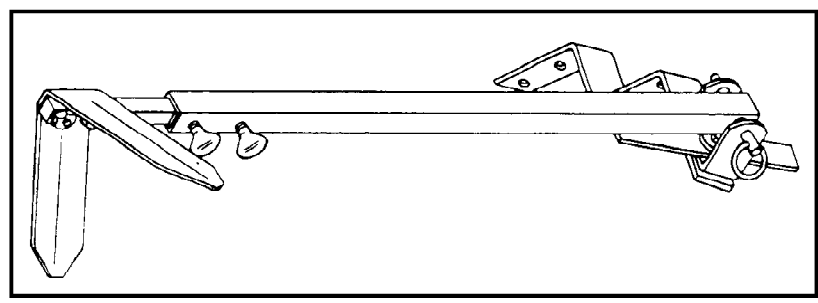
Page 14 of 21

Ref #	Part Number	Qty	S/P/F	Description
1	1917605	1	/P	Tine Hood (Incl. hood flap and Ref.17)
2	710-0577	2		Lockwasher, 3/8
3	GW-2527	1	/P	Bracket-hood & depth regulator (Incl. Ref. No. 9)
4	1186328	2	S	Hex Flange Screw, 5/16-18 x 5/8
5	712-0291	1	S	Hex Locknut, 1/4-20
6	710-0597	1	/P	Hex Hd. Screw, 1/4-20 x 1
7	GW-9384	1	S	Spring
8	GW-9534	1	/P	Spacer
9	1185469	1	S	Roll Pin (spiral), 1/4 x 1
10	GW-1117A	1	S	Depth Adjustment Bar Assembly (Incl. Refs. 11 and 12)
11	GW-9120	1	/P	Retaining Ring (tolerance ring)
12	GW-9119	1	/P	Knob, Depth Regulator
13	710-3005	2	/P	Hex Hd. Screw, 3/8-16 x 1-1/4
14	GW-1113-1	2	S	Bushing, Drag Bar
15	712-0798	2	/P	Hex Nut, 3/8-16
16	GW-20775	1	S	Drag Bar
17	777S30649	1	/P	Decal, operating instructions
18	GW-9553	2	S	Hex Hd. Screw, self-tapping, 5/16-18 x 1/2
19	710-0599	2	/P	Hex Flange Screw, self-tapping, 1/4-20 x 1/2

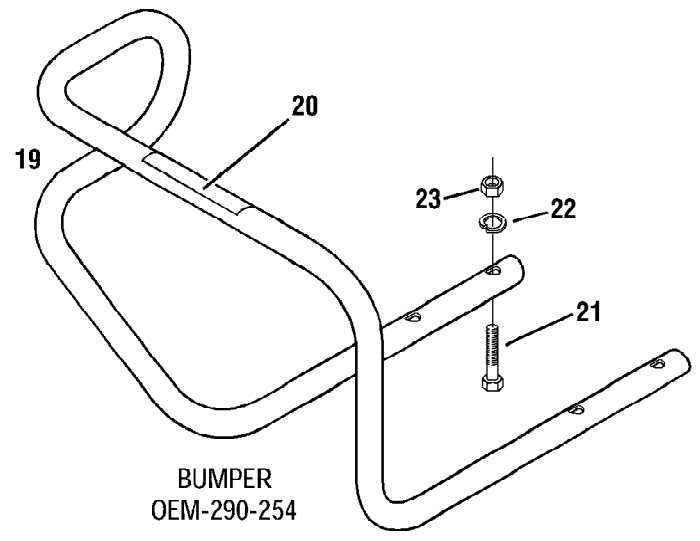
21A-664D063 7 HP Roto-Tiller (2002)
Row Marker Attachment & Bumper Attachment



MAIN SUPPORT/YOKE ASSEMBLY
PART # 1904522001



BUMPER ATTACHMENT



21A-664D063 7 HP Roto-Tiller (2002)
Row Marker Attachment & Bumper Attachment

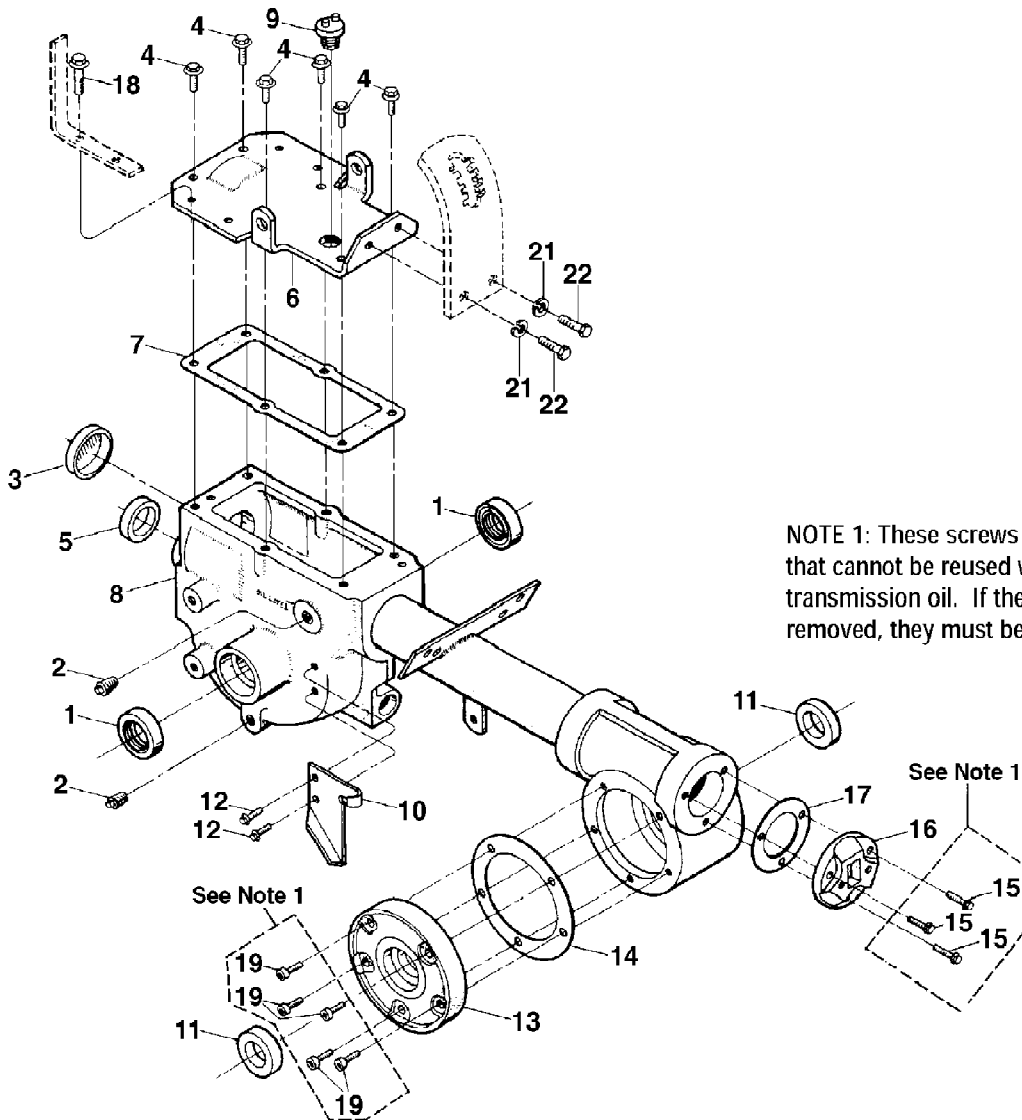
Page 16 of 21

Ref #	Part Number	Qty	S/P/F	Description
1	1904522001	1		Main Support & Yoke Assy-complete (Incl. Ref. No.'s 10,11,12,13,14,15,16,17 & 18); Row Marker Attachment (option) - OEM-290-254
2	GW-1594	1	/P	Marker Blade-blade only Row Marker Attachment (option) - OEM-290-254
3	1904524001	1		Marker Arm-main arm Row Marker Attachment (option) - OEM-290-254
4	1904523001	1		Marker Arm-extension arm with stop pin Row Marker Attachment (option) - OEM-290-254
5	GW-9347	1	/P	Hitch Pin (Incl. in Hardware Pkg GW-1837); Row Marker Attachment (option) - OEM-290-254
6	GW-9786	2		Thumbscrew-1/4-20 x 1/2 Not avail. sep. (see hardware pkg. GW-1837); Row Marker Attachment (option) - OEM-290-254
7	GW-1596	1	/P	Nut Bar (Incl. in hardware pkg GW-1837); Row Marker Attachment (option) - OEM-290-254
8	GW-9828	2		Nut-hex, 10-24 w/attached start washers Not avail. sep. (see hardware pkg #1837); Row Marker Attachment (option) - OEM-290-254
9	1100135	2	/P	Screw-round hd.,10-24 x 1 Not avail. sep. (see hardware pkg GW-1837); Row Marker Attachment (option) - OEM-290-254
	GW-1837	1	/P	Hardware Package Includes: one GW-9347 hitch pin (Ref. 5), two GW-9786 thumbscrews (Ref. 6), one GW-1596 nut bar (Ref. 7), two GW-9828 hex nuts (Ref. 8), two 1100135 screws (Ref. 9); Row Marker Attachment (option) - OEM-290-254
10	1186349	1	/P/F	Screw-hex flanged locking, 3/8-16 x 1-1/2 Row Marker Main Support & Yoke Assembly - P/N 1904522001
11	GW-1593	1	/P	Stop Bar Row Marker Main Support & Yoke Assembly - P/N 1904522001
12	GW-1592	1	/P	Yoke Row Marker Main Support & Yoke Assembly - P/N 1904522001
13	GW-1591	1	/P	Tube Key-square Row Marker Main Support & Yoke Assembly - P/N 1904522001
14	GW-1590	2	/P	Washer-friction Row Marker Main Support & Yoke Assembly - P/N 1904522001
15	GW-1588	1	/P	Main Support Row Marker Main Support & Yoke Assembly - P/N 1904522001

21A-664D063 7 HP Roto-Tiller (2002)
Row Marker Attachment & Bumper Attachment

Page 17 of 21

Ref #	Part Number	Qty	S/P/F	Description
16	GW-1589	1	/P	Washer-square hole Row Marker Main Support & Yoke Assembly - P/N 1904522001
17	GW-9925	1		Washer-disc spring Row Marker Main Support & Yoke Assembly - P/N 1904522001
18	912-3017	1	/P	Nut-hex 3/8-16. Row Marker Main Support & Yoke Assembly - P/N 1904522001
19	1918749001	1	S	Bumper (Includes Ref. 20); Bumper - OEM-290-254
20	777S30653	1		Decal - Caution Bumper - OEM-290-254
21	710-3073	4	S/F	Screw-hex hd., 5/16-18 x 2-1/4 Not avail. separately (order #1918781 hardware kit); Bumper - OEM-290-254
22	736-0119	4	S/F	Lockwasher-5/16 Not avail. separately (order #1918781 hardware kit); Bumper - OEM-290-254
23	712-0267	4	S/F	Nut-hex, 5/16-18 Not avail. separately (order #1918781 hardware kit); Bumper - OEM-290-254
	1918781	1		Hardware Kit Incl. four each of Refs. 21, 22 and 23; Bumper - OEM-290-254



NOTE 1: These screws are a special sealing screw that cannot be reused without risking the loss of transmission oil. If these screws are loosened or removed, they must be replaced with new screws.

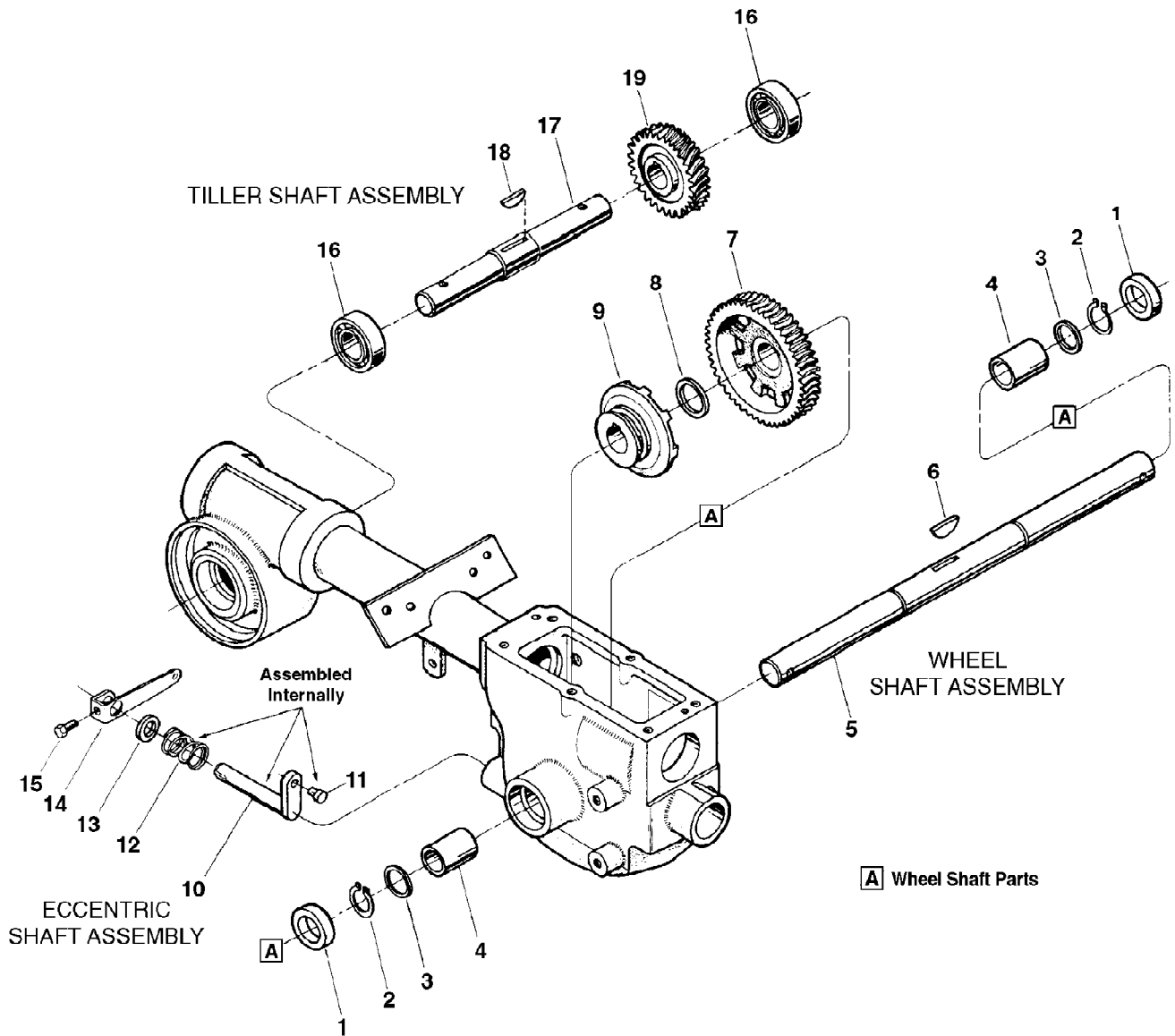
21A-664D063 7 HP Roto-Tiller (2002)
Transmission

Page 19 of 21

Ref #	Part Number	Qty	S/P/F	Description
1	721-04031	2	S	Oil Seal (Double Lip), Wheel Shaft
2	1105620	2	/P	Pipe Plug, 1/4,
3	721-04001	1	/P	Seal, Transmission Bore
4	1186329	6	S/F	Hex Flange Screw, 5/16-18 x 3/4
5	1983632	1	S	Oil Seal, Input Pinion Shaft
6	1916193001	1	/P	Transmission Cover (Incl. four Ref. 18 and two ea. Refs. 21 & 22)
7	GW-20694	1	/P	Gasket, Transmission Top Cover
8	619-04010	1	S	Transmission Case Assy. (Incl. Tube and Rear Housing)
9	GW-9467	1	/P	Plug
10	1916198001	1	/P	Mounting Plate, Wheel Clutch Cable
11	721-04035	2	S	Oil Seal, Tiller Shaft
12	1186328	2	S/F	Hex Flange Screw, 5/16-18 x 5/8
13	GW-20873	1	/P	Tiller Housing Cover, left side
14	GW-1129-1	1	S	Gasket, Tiller Housing Cover, .010" (fits all covers) A/R
15	1915089	1	/P	Screw Kit: Incl. three 1/4-20 x 7/8 Self-Sealing Screws A/R
16	1900881001	1	S	Rear Bearing Cap
17	GW-1124-2	1	S	Gasket, Rear Bearing Cap, .010" Thick A/R
18	GW-90063	4	/P/F	Hex Flange Screw, 5/16-18 x 1
19	1915087	1	/P	Screw Kit Incl. five 1/4-20 x 5/8 Self-Sealing Screws A/R
21	736-0169	2	S	Lockwasher, 3/8
22	710-0216	2	/P/F	Hex Hd. Screw, 3/8-16 x 3/4

21A-664D063 7 HP Roto-Tiller (2002)

Wheel Shaft, Eccentric Shaft And Tiller Shaft Assemblies



Wheel Shaft, Eccentric Shaft And Tiller Shaft Assemblies

Ref #	Part Number	Qty	S/P/F	Description
1	GW-9621	2	S	Oil Seal
2	1909950	2	S	Retaining Ring (heavy-duty, external)
3	GW-1166-1	A/R	S	Shim, 1-1/64 I.D., .062" thick
	GW-1166-2	A/R	/P	Shim, as above, but .030" thick
	GW-1166-3	A/R	/P	Shim, as above, but .015" thick
	GW-1166-4	A/R	S	Shim, as above, but .010" thick
4	GW-1086	2	S	Bushing
5	GW-2494	1	S	Wheel Shaft (Incl. Ref. 6)
6	GW-9373	1	/P	Hi-Pro Key, 1/4 x 1-5/16
7	GW-20914	1	/P	Wheel Drive Worm Gear (cast-iron)
8	GW-9935	1	/P	Shim (between key and gear), 1.016 I.D. x 1.468 O.D. x .062 Thick
9	GW-20712	1	/P	Wheel Drive Clutch (cast-iron)
10	GW-20879	1	S	Eccentric Shaft
11	GW-1442	1	S	Pin, Eccentric Shaft
12	GW-9055	1	/P	Spring
13	GW-9622	1	S	Oil Seal
14	GW-20700	1	S	Eccentric Shaft Lever
15	710-3013	1	/P/F	Hex Hd. Screw, 1/4-20 x 1/2
16	741-3037	2	S	Ball Bearing
17	GW-20896	1	/P	Tiller Shaft (Incl. Ref. 18)
18	GW-1104	1	/P	Woodruff Key, 1/4 x 1-1/4
19	GW-20913	1	/P	Tiller Drive Worm Gear (bronze)