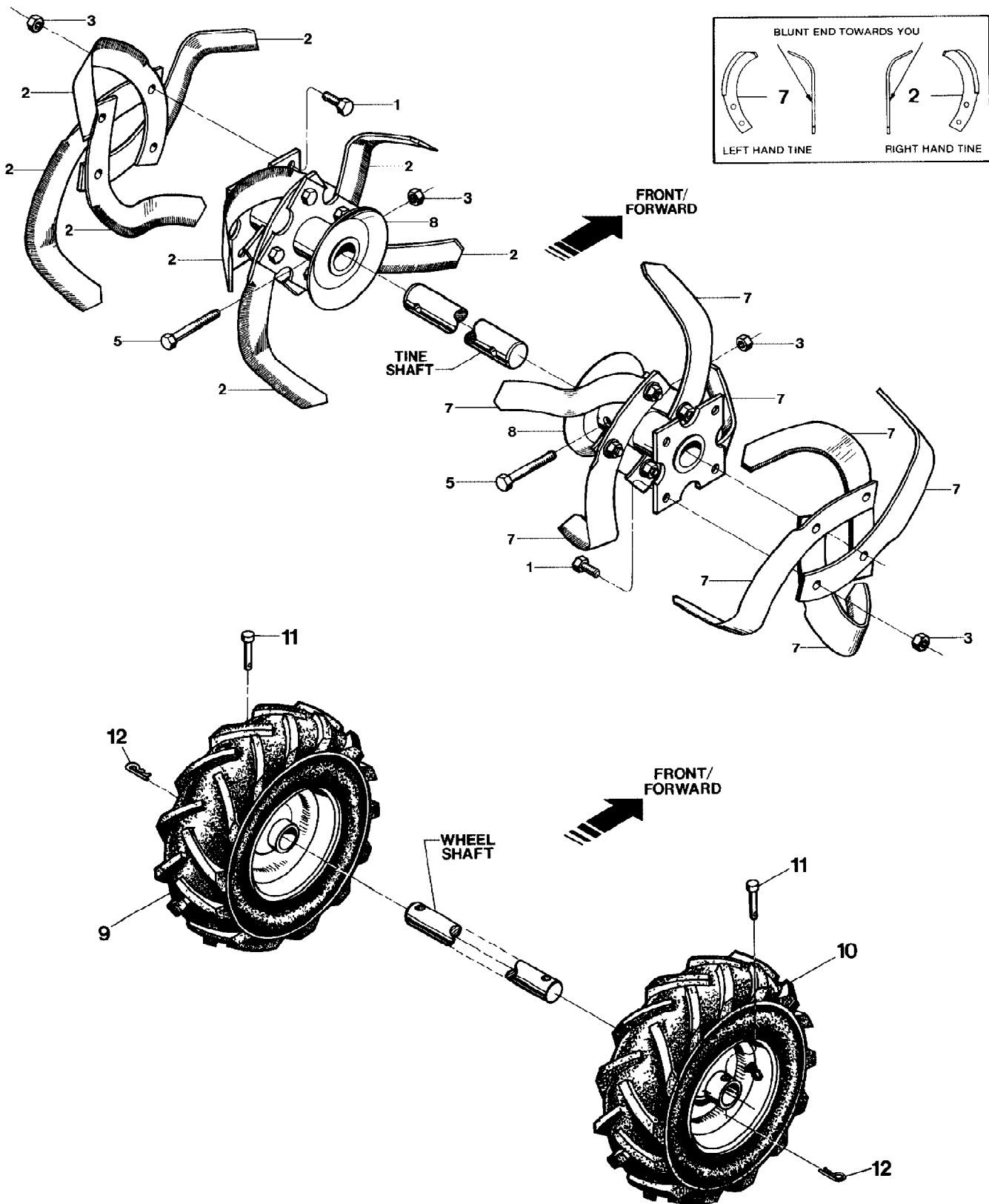


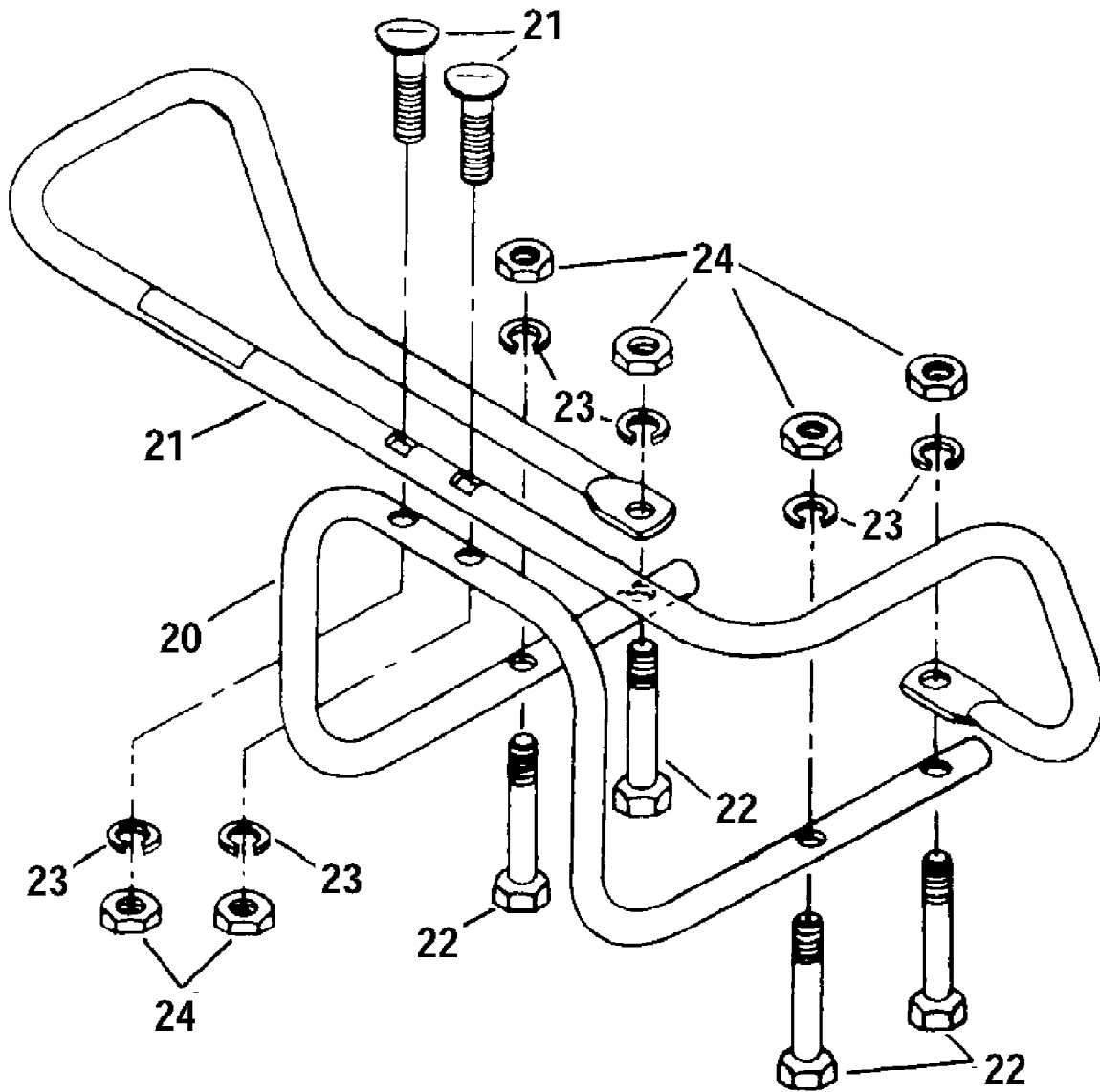
12183 Pony OPC 5.5HP (S/N 121831100101-121831199999)
Bolo Tines, Wheels



12183 Pony OPC 5.5HP (S/N 121831100101-121831199999)
Bolo Tines, Wheels

Page 2 of 28

Ref #	Part Number	Qty	S/P/F	Description
1	1100043	16	S	Screw-hex hd., 3/8-16 x 1-1/4 Specify GRADE 5 if ordering part locally.
2	1270-2A	8	S	Bolo Tine-single, right hand tine Used on left side of tiller
3	1733398	18	S	Hex Locknut, 3/8-16
5	1982612	2	S	Screw-hex hd., 3/8-16 x 2, GRADE 8
7	1270-1A	8	S	Bolo Tine-single, left hand tine Used on right side of tiller
8	1902154001	2	S	Tine Holder- For bolo tines, left and right sides
	1901118	1	S	Replacement set of 16 Bolo Tines- Includes eight each of right hand and left hand tines, and sixteen each of Ref. No.'s 1 and 3
9	2706-01	1	S	Wheel & Tire Assy-left side
10	2706-02	1	S	Wheel & Tire Assy-right side
11	9380	2	S	Clevis Pin-.312 x 1-3/4 long
12	9338	2	S	Hitch Pin



BUMPER ATTACHMENT PART #12593
(Viewed from front of tiller)

12183 Pony OPC 5.5HP (S/N 121831100101-121831199999)
Bumper Attachment - P/N 12593

Page 4 of 28

Ref #	Part Number	Qty	S/P/F	Description
?19	1904757001	1	S	Bumper-top section
20	1904758001	1	S	Bumper-bottom section
21	1731025	2	/P	Bolt-curved head, 5/16-18 x 2 (special bolt); Also see #1915811
22	1111608	4		Bolt-hex hd., 5/16-18 x 2-1/2, not avail. separately (order #1915811 hardware kit Specify GRADE 5 if ordering part locally.
23	1100242	6	S	Lockwasher-5/16, not avail. separately (order #1915811 hardware kit
24	1186230	6	S	Nut-hex, 5/16-18, not avail. separately (order #1915811 hardware kit
	1915811	1	/P	Hardware Kit: two #1731025 curved head bolts; four #1111608 hex hd. bolts; six #1100242 lockwashers; six #1186230 hex nuts
12593	12593	1		Bumper Attachment

No
Diagram
Available

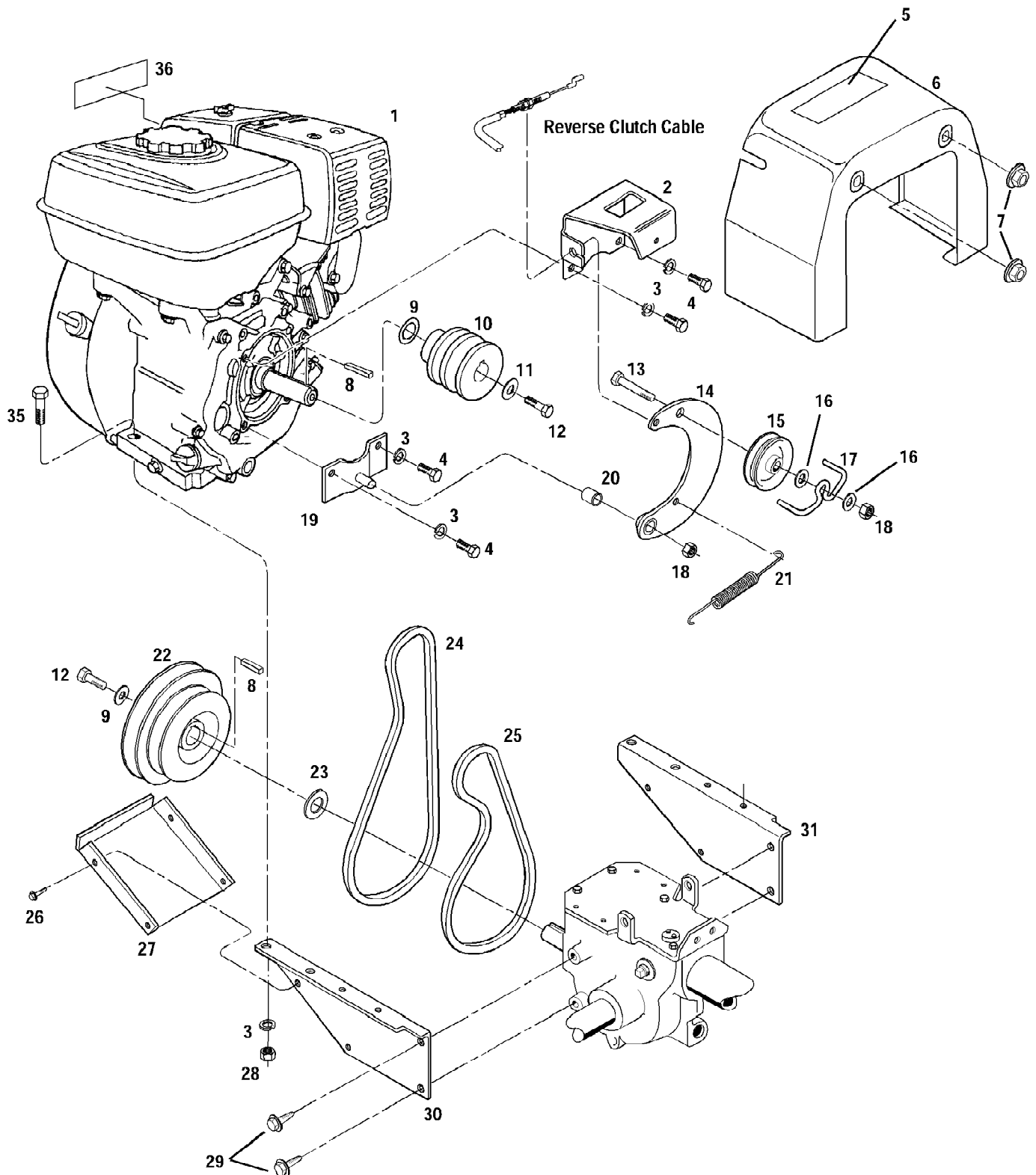
Parts List
Only

12183 Pony OPC 5.5HP (S/N 121831100101-121831199999)
 Custom Tilling Tines (Extra Long-Wearing)

Page 6 of 28

Ref #	Part Number	Qty	S/P/F	Description
	10802	1	S	Custom Tilling Tine Kit- (Includes 8 #2475-1 bolo tines, 8 #2475-2 bolo tines, 16 #1100043 screws and 16 #1733398 locknuts)
	2475-1	8	S	Bolo Tine, custom tilling, left hand
	2475-2	8	S	Bolo Tine, custom tilling, right hand

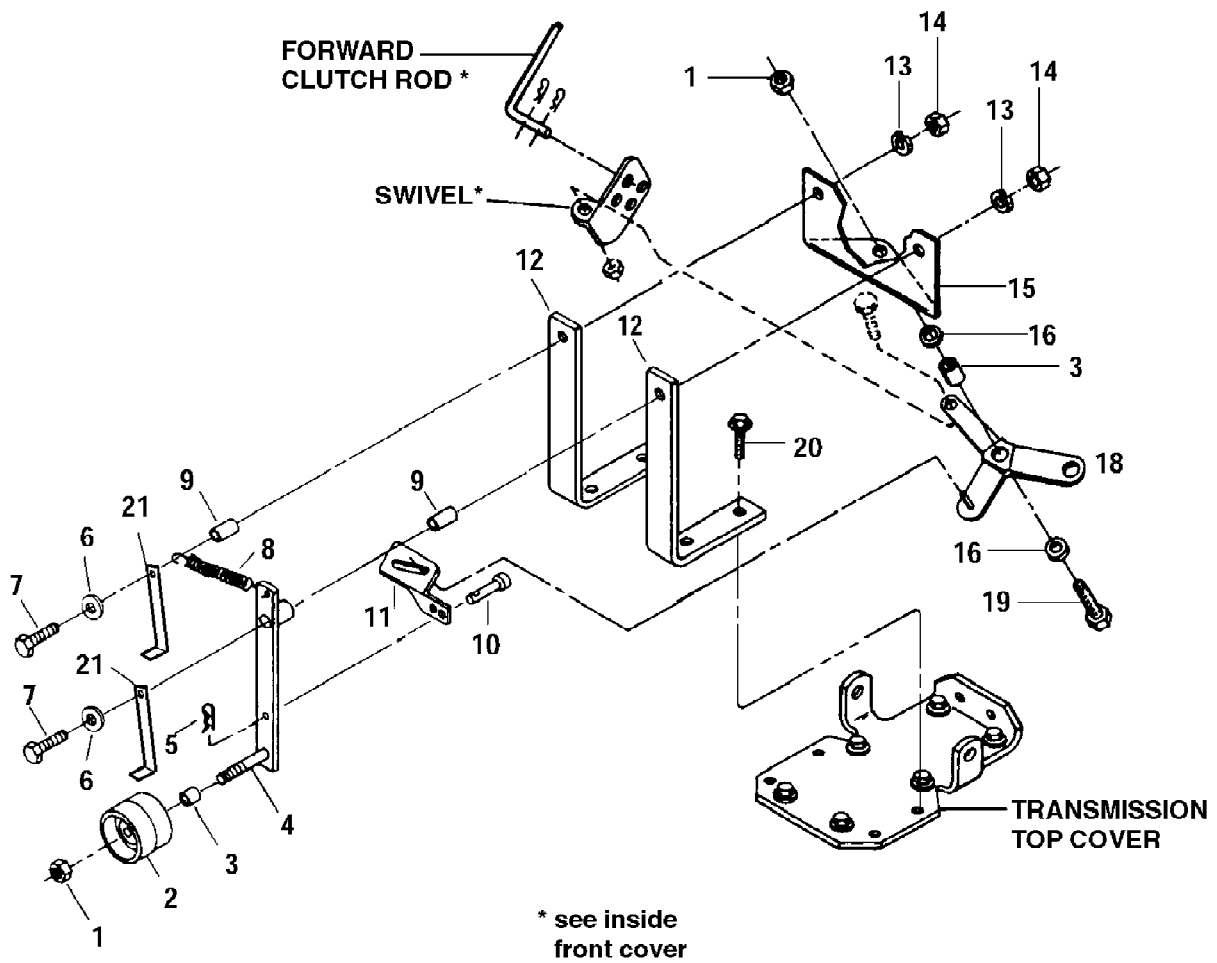
12183 Pony OPC 5.5HP (S/N 121831100101-121831199999)
Engine, Support Brackets, Pulleys, Belts & Belt Cover



12183 Pony OPC 5.5HP (S/N 121831100101-121831199999)
Engine, Support Brackets, Pulleys, Belts & Belt Cover

Page 8 of 28

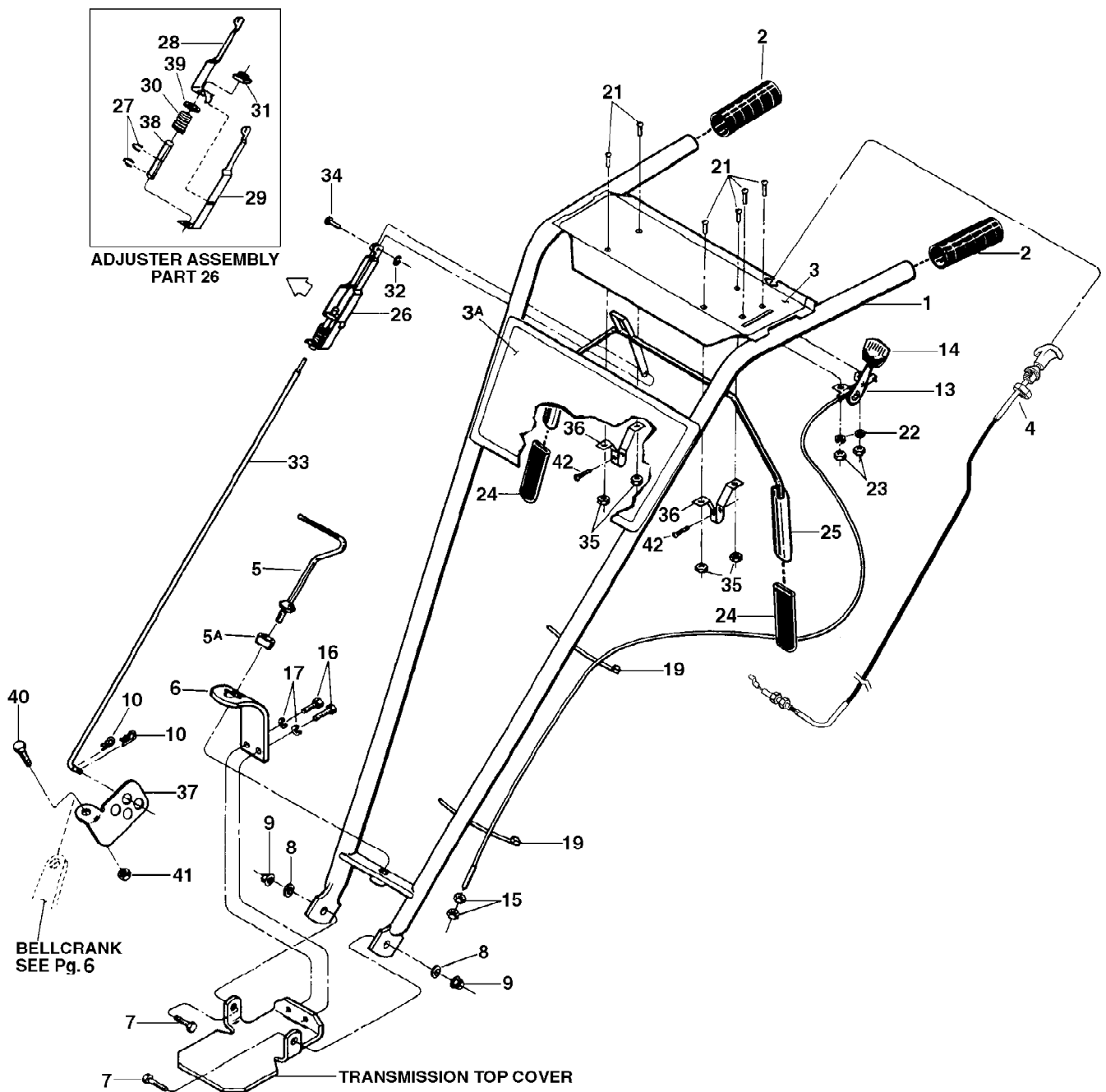
Ref #	Part Number	Qty	S/P/F	Description
1		1		Engine-5.5 HP, standard recoil start See your local authorized engine service dealer for engine parts of service. Refer to engine nameplate for engine type and code information.
2	1917326001	1	S	Bracket, Clutch Cable
3	1100242	8	S	Lockwasher-5/16
4	1111696	4		Screw-hex hd., 5/16-24 x 1/2
5	1904557	1		Decal-Hot surfaces/belt warning
6	1917139	1	S	Cover- (Incl. Ref. No. 5)
7	1186391	2	S	Nut-5/16-18, Flange Lock
8	1108841	2	S	Key-3/16 x 1-1/2
9	1138-1	1	S	Washer-Disc Spring
10	1916520	1	S	Pulley, Engine Drive
11	9944	2	S	Washer, Belleville
12	9572	2	S	Screw-hex hd., 5/16-24 x 1-1/8
13	1111606	1		Screw-hex hd., 5/16-18 x 2
14	1916578001	1		Reverse Idler Arm
15	1916535	1	/P	Pulley, Reverse Idler
16	1107382	2	/P	Washer, Flat, 5/16
17	1916725	1	S	Belt Guide
18	1110107	1	S	Locknut, 5/16-18
19	1916559001	1		Bracket, Reverse Idler
20	1916536	1		Bushing
21	1916728	1	S	Spring, Reverse Return
22	1916522	1	S	Pulley, Transmission
23	1440	1	S	Support Washer
24	1916753	1	S	Reverse Drive Belt
25	1909404	1	/P	Forward Drive Belt
26	1900396	4	/P	Screw-hex hd., #10-32 x 1/2, self-tapping
27	1916189001	1	S	Guard, Belts/Pullyes
28	1186230	4	S	Hex Nut, 5/16-18
29	1186329	4	S	Screw-flanged hex hd., 5/16-18 x 3/4 Specify GRADE 5 if ordering part locally.
30	1916797001	1	/P	Support Bracket-engine, left side
31	1916796001	1	S	Support Bracket-engine, right side
35	1100799	4	S	Screw-hex hd., 5/16-18 x 1-1/2
36	1917131	1		Decal-Stabilization



12183 Pony OPC 5.5HP (S/N 121831100101-121831199999)
Forward/Reverse Idler Assembly

Page 10 of 28

Ref #	Part Number	Qty	S/P/F	Description
1	1110108	2	S	Locknut-hex, 3/8-16
2	9090	1	S	Pulley-idler, forward tiller
3	20532	2	S	Spacer
4	1916192001	1	/P	Idler Arm-left, forward tiller direction
5	9338	1	S	Hairpin Cotter
6	20545	1	S	Washer-plain, 5/16
7	1111607	2	S	Screw-hex hd., 5/16-18 x 2-1/4 Specify GRADE 5 if ordering part locally.
8	1916727	1	/P	Spring
9	9479	2	S	Pivot Bushing
10	9340	1		Pin
11	20517-01	1		Forward Link
12	1916194001	2		Mounting Bar
13	1100242	2	S	Lockwasher-5/16
14	1186230	2	S	Nut-hex, 5/16-18
15	1916195001	1		Shifting Base
16	20553	2	S	Spacer-Bushing
18	1916196001	1	/P	Bellcrank
19	1100043	1	S	Screw-hex hd., 3/8-16 x 1-1/4 Specify GRADE 5 if ordering part locally.
20	1186331	1	S	Screw-flanged hex hd., 5/16-18 x 1
21	1917149001	2	/P	Belt Guide-forward belt



Ref #	Part Number	Qty	S/P/F	Description
1	1917141	1		Handlebars- (Incl. Ref. No.'s 2, 3 and 3A)
2	9125	2	S	Grip-handlebars
3	1916931	1		Decal-for operator control panel
3A	1916930	1		Decal-Troy-Bilt Pro Line
4	1916784	1	S	Reverse Cable Assembly
5	20703	1		Handle, Height Adjustment
5A	9955	1	S	Washer-keyed
6	1900475001	1	S	Bracket-handlebar height adjust
7	1100046	2	S	Screw-hex hd., 3/8-16 x 1 Specify GRADE 5 if ordering part locally.
8	9904	2	S	Washer-plain (flat) 3/8, S.A.E.
9	9837	2	S	Locknut-hex, 3/8-16
10	9338	3	S	air Pin Cotter
?11	20830	1		Maneuvering Clutch Lever- Complete
?12	9198	1		Grip-maneuvering clutch lever
13	9442	1	S	Wheel Gear Control & Cable Assy. (Incl. Ref. No.'s 14, 15, 19, 21, 22, and 23)
14	9057	1	S	Knob-wheel gear control lever
15	1186211	2	/P	Nut-hex, 5/16-24, wheel gear cable adjustment
16	1100068	2	S	Screw-hex hd., 3/8-16 x 3/4 Specify GRADE 5 if ordering part locally.
17	1100243	2	S	Lockwasher-3/8
19	9202	2	S	Ties-plastic
21	1114748	8	/P	Screw-round hd, No. 10-32 x 1/2
22	1100240	2	/P	Lockwasher-No. 10
23	1186208	2	/P	Nut-hex, No. 10-32
24	9390	2	S	Grip-paddle
25	20863	1	S	Bail-forward clutch control (Incl. two Grips, Ref. No. 24)
26	20862	1	S	Adjuster Assembly (Incl. Ref. No.'s 27, 28, 29, 30, 38 and 39)
27	9532	2	S	Klip Ring
28	20808	1	S	Adjuster, Right Side
29	20809	1	S	Adjuster, Left Side
30	9059	1	S	Spring-Adjuster
31	9522	1		Nut-rectangular
32	9386	1		Klip Ring
33	20831	1	S	Rod-forward clutch
34	97083	1		Pin-Clevis
35	9853	4	S	Sems Nut
36	20806	2	S	Bracket-bail support
37	20888	1	S	Swivel
38	9432	1		Bushing
39	9973	1		Washer
40	1100805	1	S	Screw-hex hd., 1/4-20 x 3/4 Specify GRADE 5 if ordering part locally.
41	9811	1		Nut-1/4-20

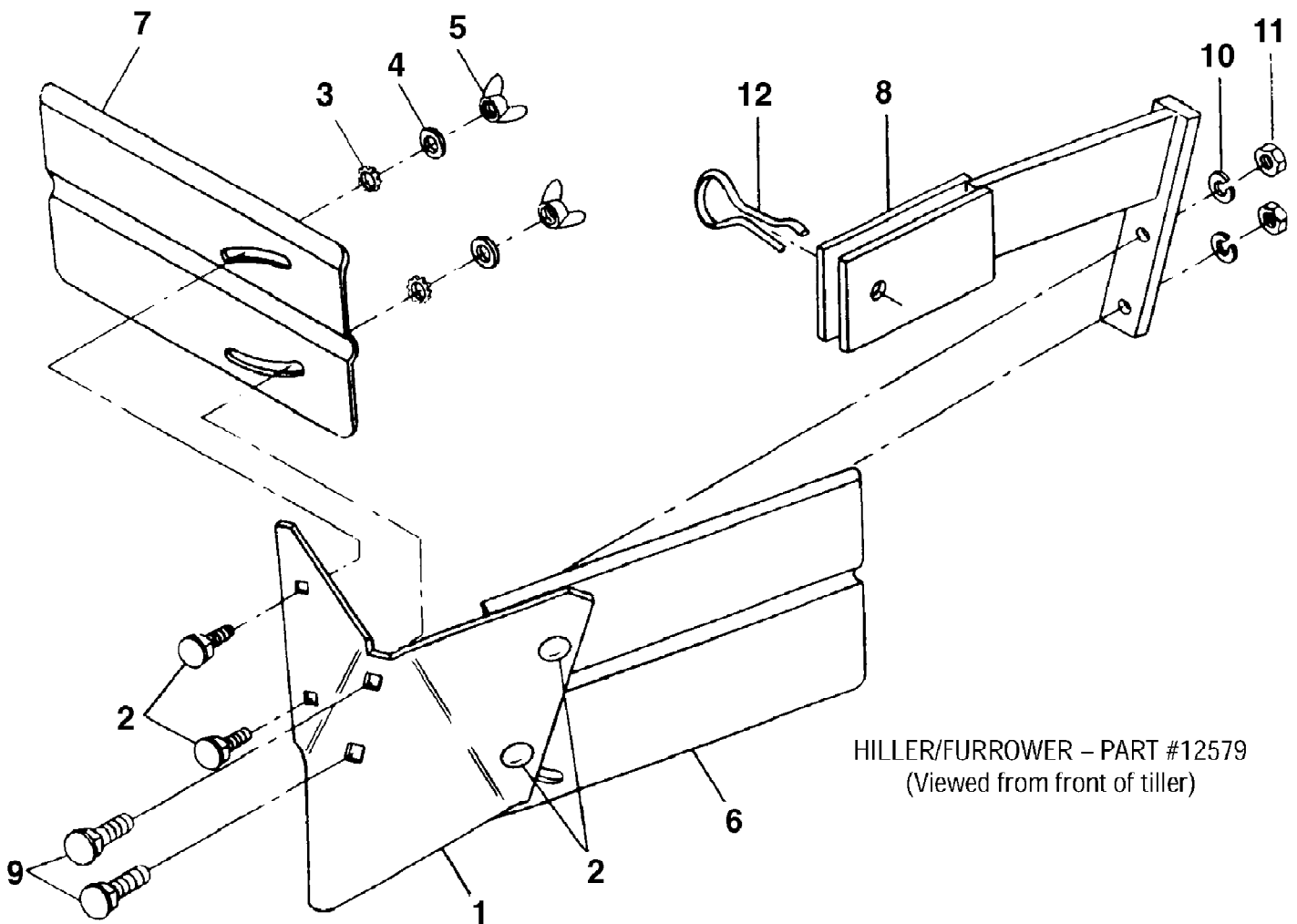
12183 Pony OPC 5.5HP (S/N 121831100101-121831199999)
Handlebar Assembly & Control Levers

Page 13 of 28

Ref #	Part Number	Qty	S/P/F	Description
42	9552	2	S	Screw-flanged hex hd, self-tapping, 1/4-20 x 1/2 Specify GRADE 5 if ordering part locally.

12183 Pony OPC 5.5HP (S/N 121831100101-121831199999)
Hiller/Furrower Attachment

Page 14 of 28

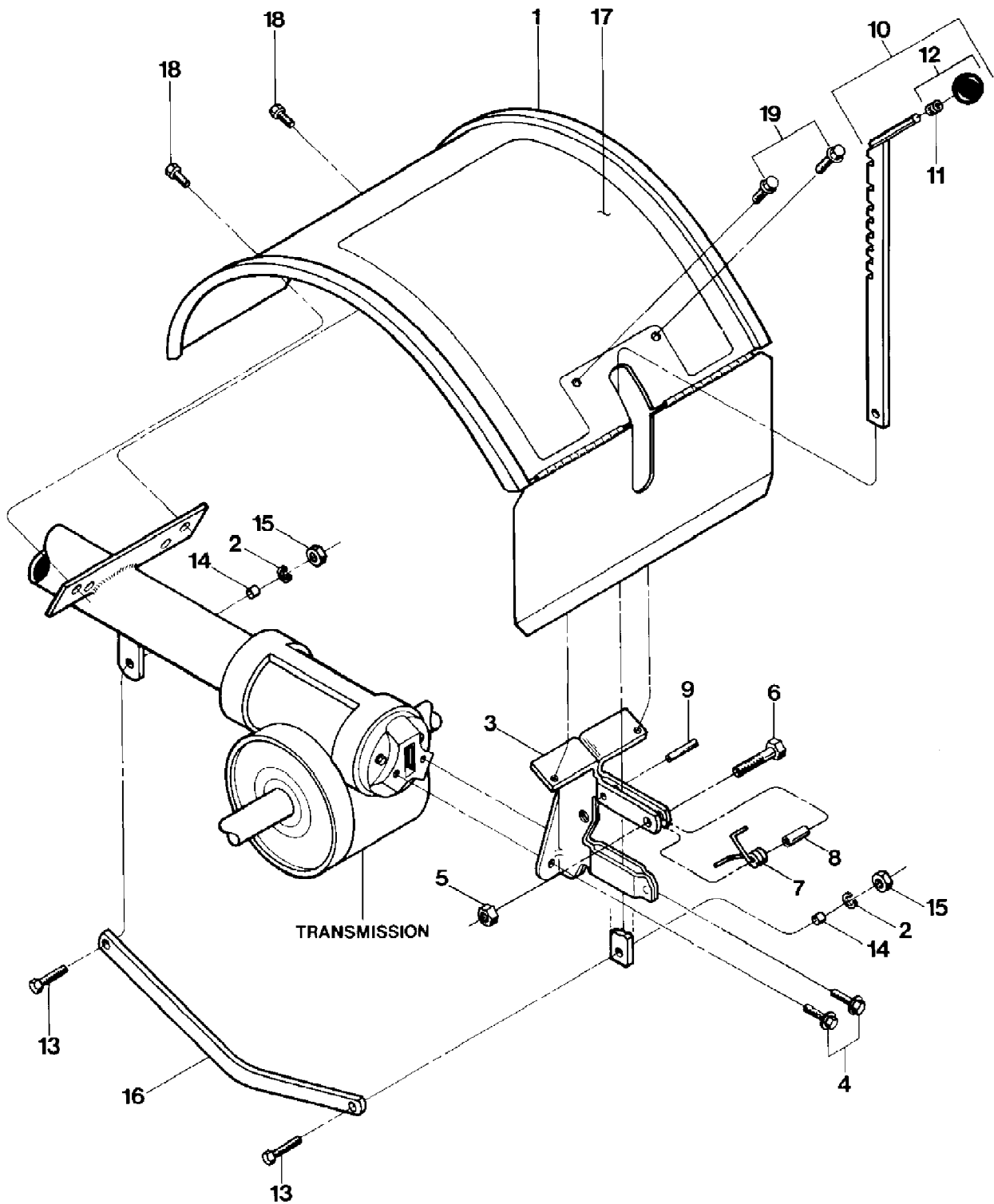


12183 Pony OPC 5.5HP (S/N 121831100101-121831199999)
Hiller/Furrower Attachment

Page 15 of 28

Ref #	Part Number	Qty	S/P/F	Description
1	1900771001	1	/P	Furrower-blade only
2	1186098	4	/P	Carriage Bolt-5/16-18 x 3/4
3	1177548	4	S	Star Washer-external tooth, 5/16
4	9902	4		Plain Washer-5/16 S.A.E
5	9824	4	S	Wing Nut-5/16-18
6	1900773001	1	/P	Hiller Wing-left
7	1900774001	1	/P	Hiller Wing-right
8	1900772001	1	S	Bracket-blade mounting
9	9725	2	S	Carriage Bolt-blade mounting, 3/8-16 x 1-1/2
10	1100243	2	S	Lockwasher-3/8, plated
11	1186231	2	S	Nut-hex, 3/8-16, plated
12	9318	1	S	Pin-clinch
	12579	1		Hiller/Furrower- Complete attachment (owner must bolt blade to mounting bracket, and wings to blade). Instructions included

12183 Pony OPC 5.5HP (S/N 121831100101-121831199999)
Hood, Bracket & Depth Regulator

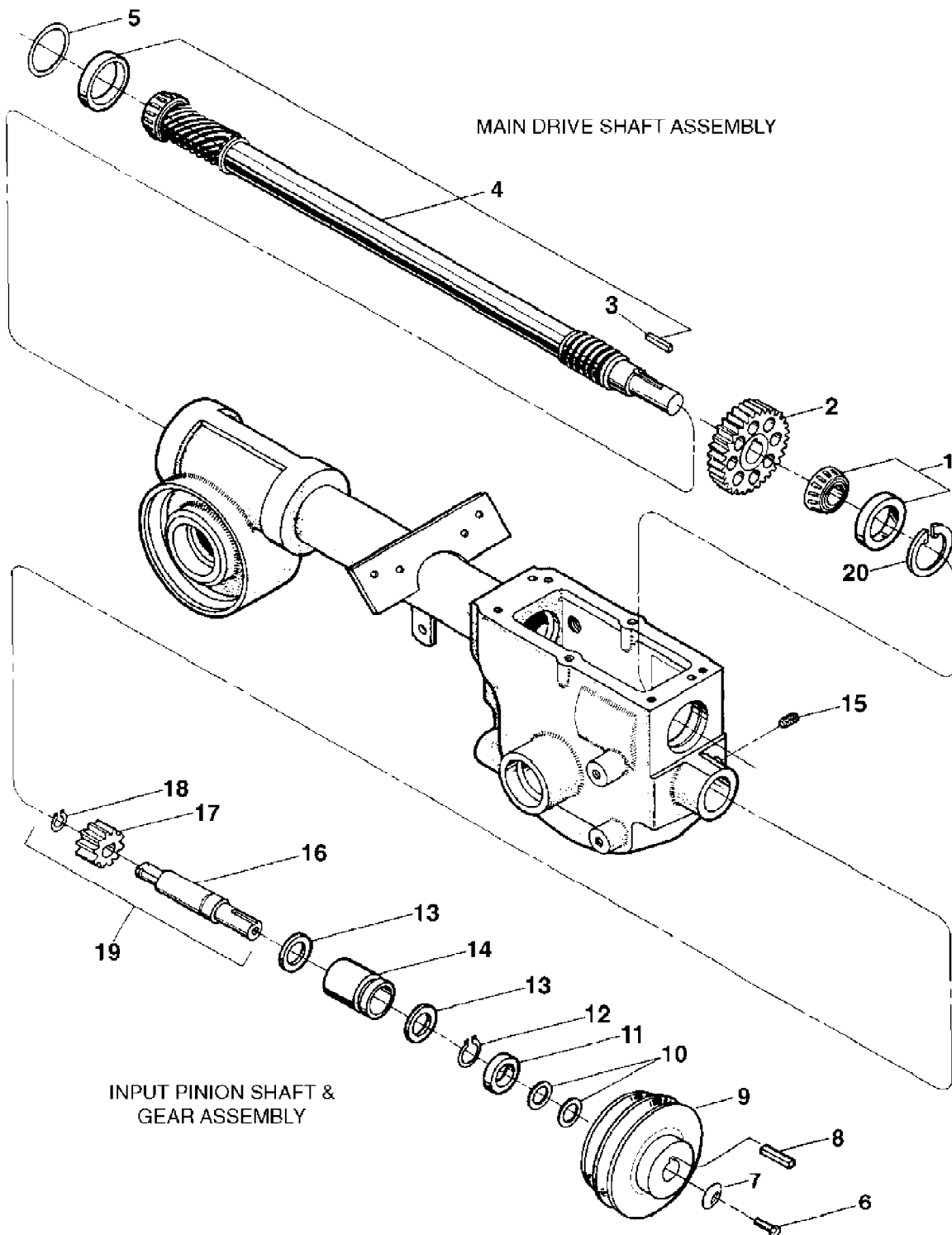


12183 Pony OPC 5.5HP (S/N 121831100101-121831199999)
Hood, Bracket & Depth Regulator

Page 17 of 28

Ref #	Part Number	Qty	S/P/F	Description
1	1917143	1	S	Hood-tine cover, with hinged flap (Incl. Ref. No. 17)
2	1100243	2	S	Lockwasher-3/8
3	2527	1	S	Bracket-hood & depth regulator (Incl. Ref. No. 9)
4	90038	2		Screw-flanged hex hd., 5/16-18 x 5/8 Specify GRADE 5 if ordering part locally.
5	9811	1		Locknut-hex, 1/4-20
6	1100069	1	S	Screw-hex hd., 1/4-20 x 1 Specify GRADE 5 if ordering part locally.
7	9384	1	S	Spring-depth regulator plunger
8	9438	1		Spacer
9	9308	1	S	Roll Pin-1/4 x 1 (spiral)
10	1117A	1	S	Bar Assembly-depth adjustment (Incl. Ref. No's. 11 and 12)
11	9120	1	S	Ring-retaining, tolerance ring
12	9119	1	S	Knob-depth regulator (Incl. Ref. No. 11)
13	1100043	2	S	Screw-hex hd, 3/8-16 x 1-1/4 Specify GRADE 5 if ordering part locally.
14	1113-1	2	S	Bushing-spacer, drag bar
15	1186231	2	S	Nut-hex, 3/8-16
16	20775	1	S	Drag Bar-depth regulator
17	1916932	1		Decal-tiller operating instructions
18	9553	2	S	Screw-hex hd, self-tapping, 5/16-18 x 1/2 Specify GRADE 5 if ordering part locally.
19	9552	2	S	Screw-flanged hex hd, self-tapping, 1/4-20 x 1/2 Specify GRADE 5 if ordering part locally.

12183 Pony OPC 5.5HP (S/N 121831100101-121831199999)
Main Drive Shaft, Input Pinion Shaft & Gear Assemblies



12183 Pony OPC 5.5HP (S/N 121831100101-121831199999)
Main Drive Shaft, Input Pinion Shaft & Gear Assemblies

Page 19 of 28

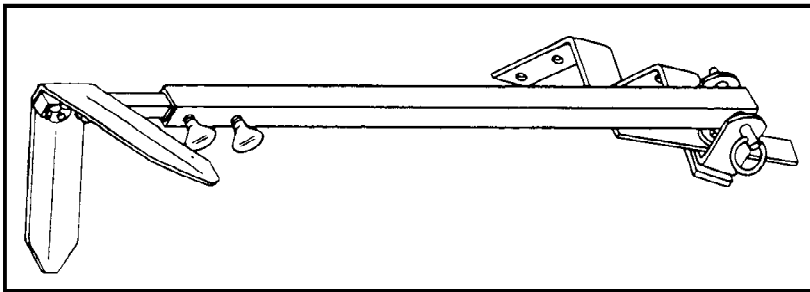
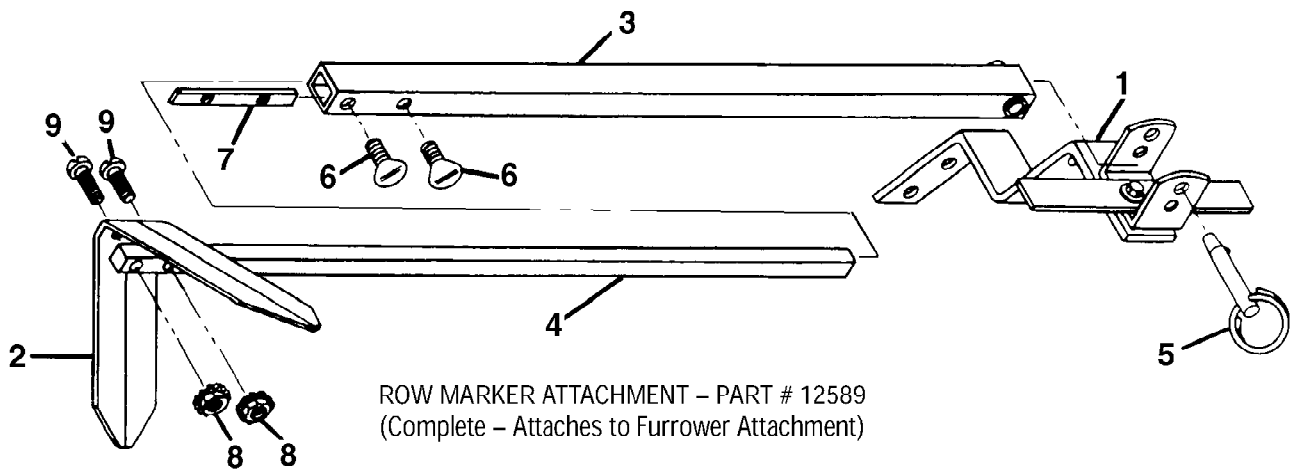
Ref #	Part Number	Qty	S/P/F	Description
1	1714	1	S	Bearing-tapered roller with race Main Drive Shaft
2	20718	1	S	Gear-spur, main drive shaft Main Drive Shaft
3	9301	1	S	Key-3/16 sq. x 1 Main Drive Shaft
4	11603	1		Drive Shaft-with integral, single-lead worm at front and six-lead worm at rear (Includes pressed-on #1714 rear roller bearing, race for bearing and #9301 key); Main Drive Shaft
5	1224-1	A/R	S/F	Shim-rear bearing cap, .010 thick Main Drive Shaft
5	1224-2	A/R	S/F	Shim-same as above, but .030 thick Main Drive Shaft
5	1224-3	A/R	S/F	Shim-same as above, but .005 thick Main Drive Shaft
	1325C	A/R	S	Shim Set- Includes the following shims: two 1224-1; two 1224-2; one #1224-3; Main Drive Shaft
6	9572	1	S	Screw-hex hd., 5/16-24 x 1-1/8 Specify GRADE 5 if ordering part locally.; Input Pinion Shaft & Gear Assembly
7	9944	1	S	Washer-disc spring (concave surface faces pulley) Input Pinion Shaft & Gear Assembly
8	1108841	1	S	Key-3/16 sq. x 1-1/2 Input Pinion Shaft & Gear Assembly
9	20880	1		Pulley-transmission drive Input Pinion Shaft & Gear Assembly
10	1440	1	S	Washer-support Input Pinion Shaft & Gear Assembly
11	85030	1		Oil Seal-input pinion shaft, front Input Pinion Shaft & Gear Assembly
12	9500	1	S	Ring-retaining (snap ring), external Input Pinion Shaft & Gear Assembly
13	9953	2	S	Washer-thrust Input Pinion Shaft & Gear Assembly
14	9428	1	S	Bushing Input Pinion Shaft & Gear Assembly
15	9677	1	S	Set Screw-5/16-18 x 3/8 Specify GRADE 5 if ordering part locally.; Input Pinion Shaft & Gear Assembly
16	20791	1	S	Input Pinion-steel shaft Input Pinion Shaft & Gear Assembly
17	20792	1	S	Gear-input pinion Input Pinion Shaft & Gear Assembly
18	9093	1	S	Retainer-snap ring, external Input Pinion Shaft & Gear Assembly

12183 Pony OPC 5.5HP (S/N 121831100101-121831199999)
 Main Drive Shaft, Input Pinion Shaft & Gear Assemblies

Page 20 of 28

Ref #	Part Number	Qty	S/P/F	Description
19	20799	A/R	S	Pinion Assy- (Incl. one each of Ref. No.'s 16, 17 and 18; Input Pinion Shaft & Gear Assembly
20	9517	1	S	Retainer-snap ring, internal Input Pinion Shaft & Gear Assembly

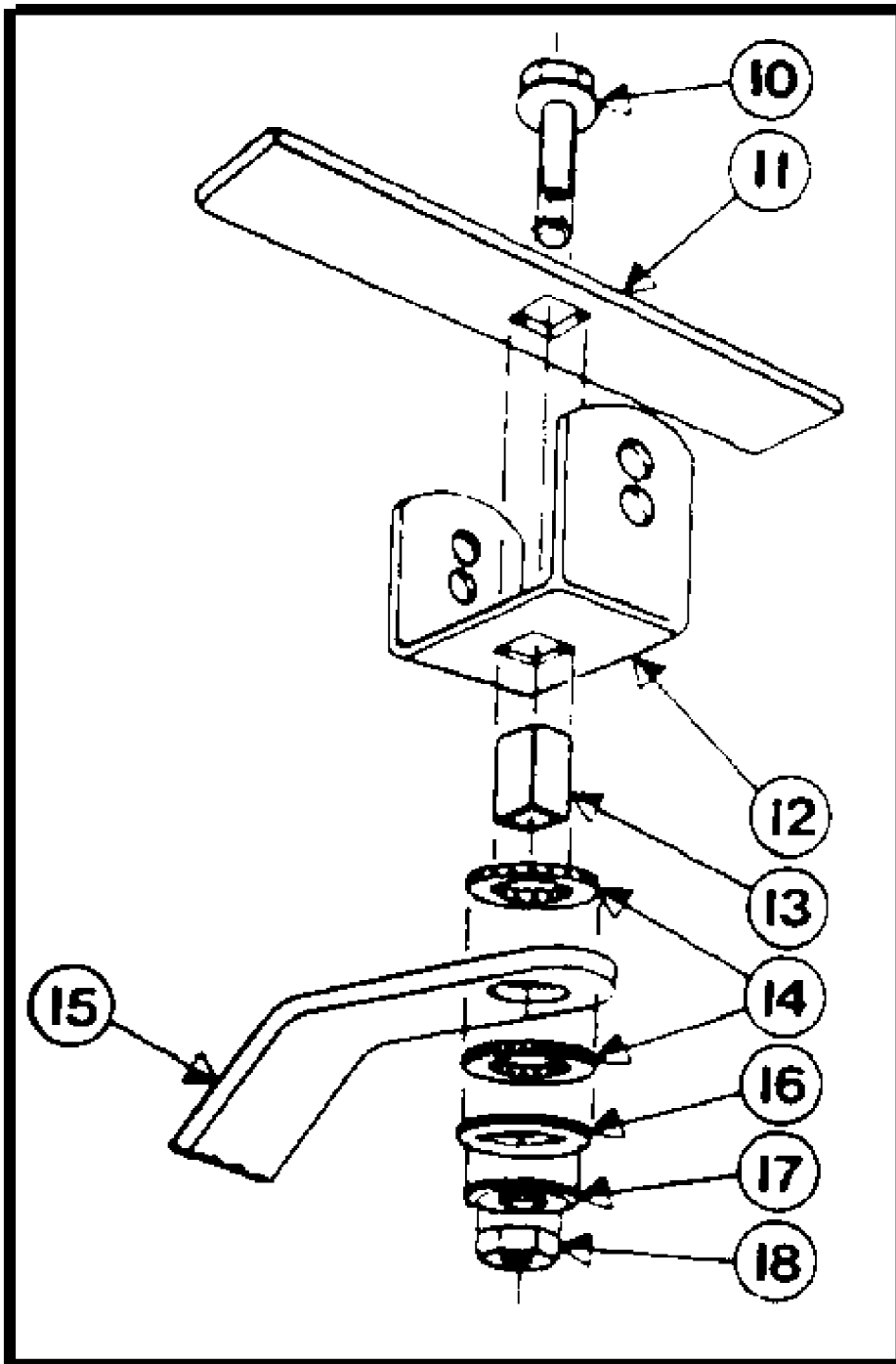
12183 Pony OPC 5.5HP (S/N 121831100101-121831199999)
Row Marker Attachment - P/N 12589



12183 Pony OPC 5.5HP (S/N 121831100101-121831199999)
Row Marker Attachment - P/N 12589

Page 22 of 28

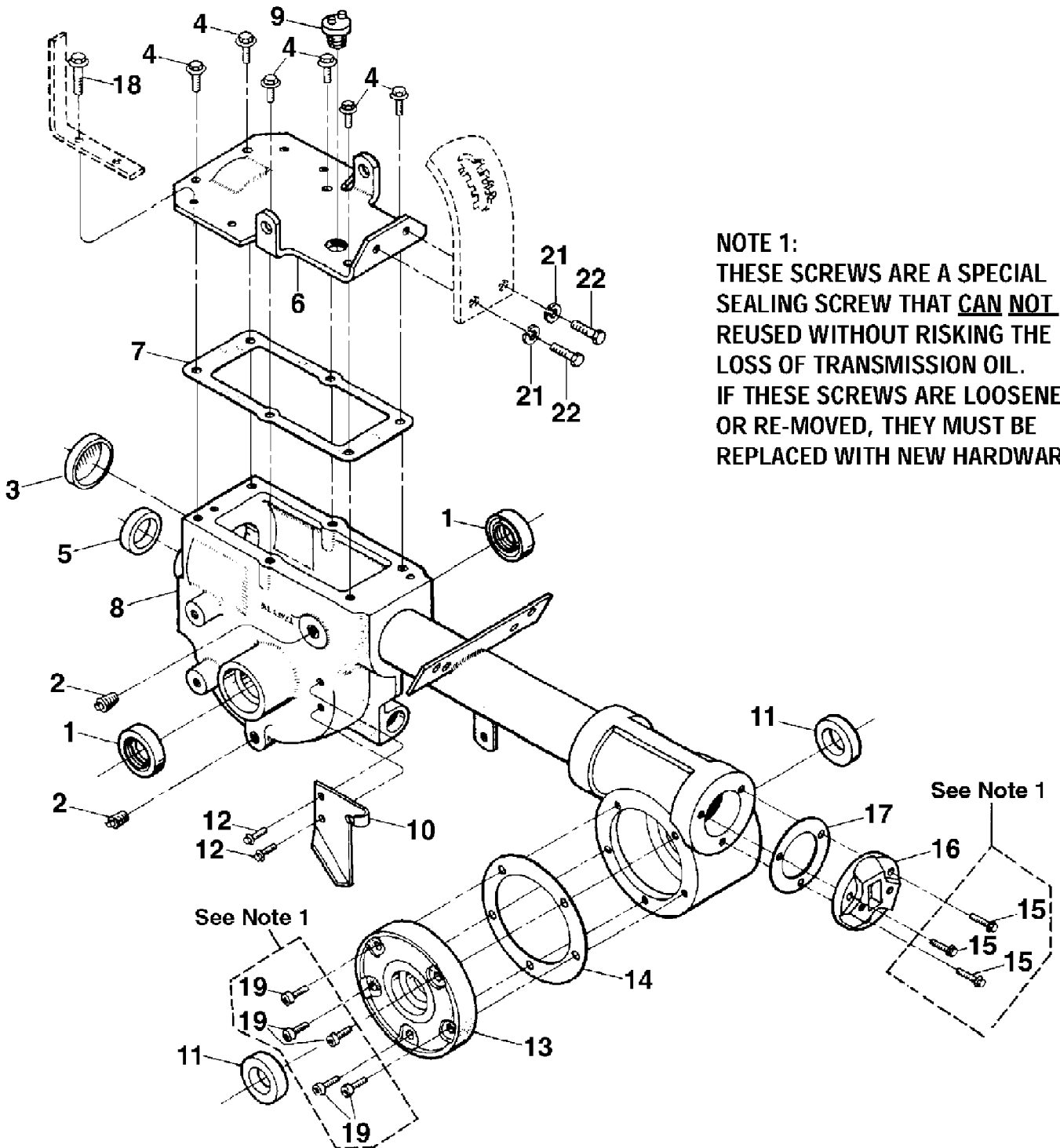
Ref #	Part Number	Qty	S/P/F	Description
1	1904522001	1		Main Support & Yoke Assy- Complete.
2	1594	1	S	Marker Blade-blade only
3	1904524001	1		Marker Arm-main arm
4	1904523001	1		Marker Arm-extension arm with stop pin
5	9347	1	S	Hitch Pin- (Incl. in Hardware Pkg #1837)
6	9786	2		Thumbscrew-1/4-20 x 1/2, not avail. sep. (See hardware pkg. #1837)
7	1596	1	S	Nut Bar- (Incl. in hardware pkg #1837)
8	9828	2		Nut-hex, 10-24 w/attached start washers, not avail. sep. (See hardware pkg #1837)
9	1100135	2	/P	Screw-round hd.,10-24 x 1, not avail. sep. (See hardware pkg #1837)
	1837	1	S	Hardware Package- Includes: one #9347 hitch pin (Ref. 5), two #9786 thumbscrews (Ref. 6), one #1596 nut bar (Ref. 7), two #9828 hex nuts (Ref. 8), two 1100135 screws (Ref. 9)
	12582	1		Row Marker Attachment & Pony Hiller/Furrower Attachment- Complete: incl. #12579 Pony Hiller/Furrower and #12589 Row Marker
12589	12589	1		Row Marker Attachment- Complete: attaches to furrower attachment #12579, includes #1904522001 Main Support & Yoke Assy.



MAIN SUPPORT & YOKE
ASSEMBLY
PART # 1904522001

12183 Pony OPC 5.5HP (S/N 121831100101-121831199999)
 Row Marker Main Support & Yoke Assembly - P/N 1904522001

Ref #	Part Number	Qty	S/P/F	Description
10	1186349	1	/P	Screw-hex flanged locking, 3/8-16 x 1-1/2 Specify GRADE 5 if ordering part locally.
11	1593	1	S	Stop Bar
12	1592	1	S	Yoke
13	1591	1	S	Tube Key-square
14	1590	2	S	Washer-friction
15	1588	1	S	Main Support
16	1589	1	S	Washer-square hole
17	9925	1		Washer-disc spring
18	1186231	1	S	Nut-hex 3/8-16
1904522001	1904522001	1		Row Marker Main Support & Yoke Assembly

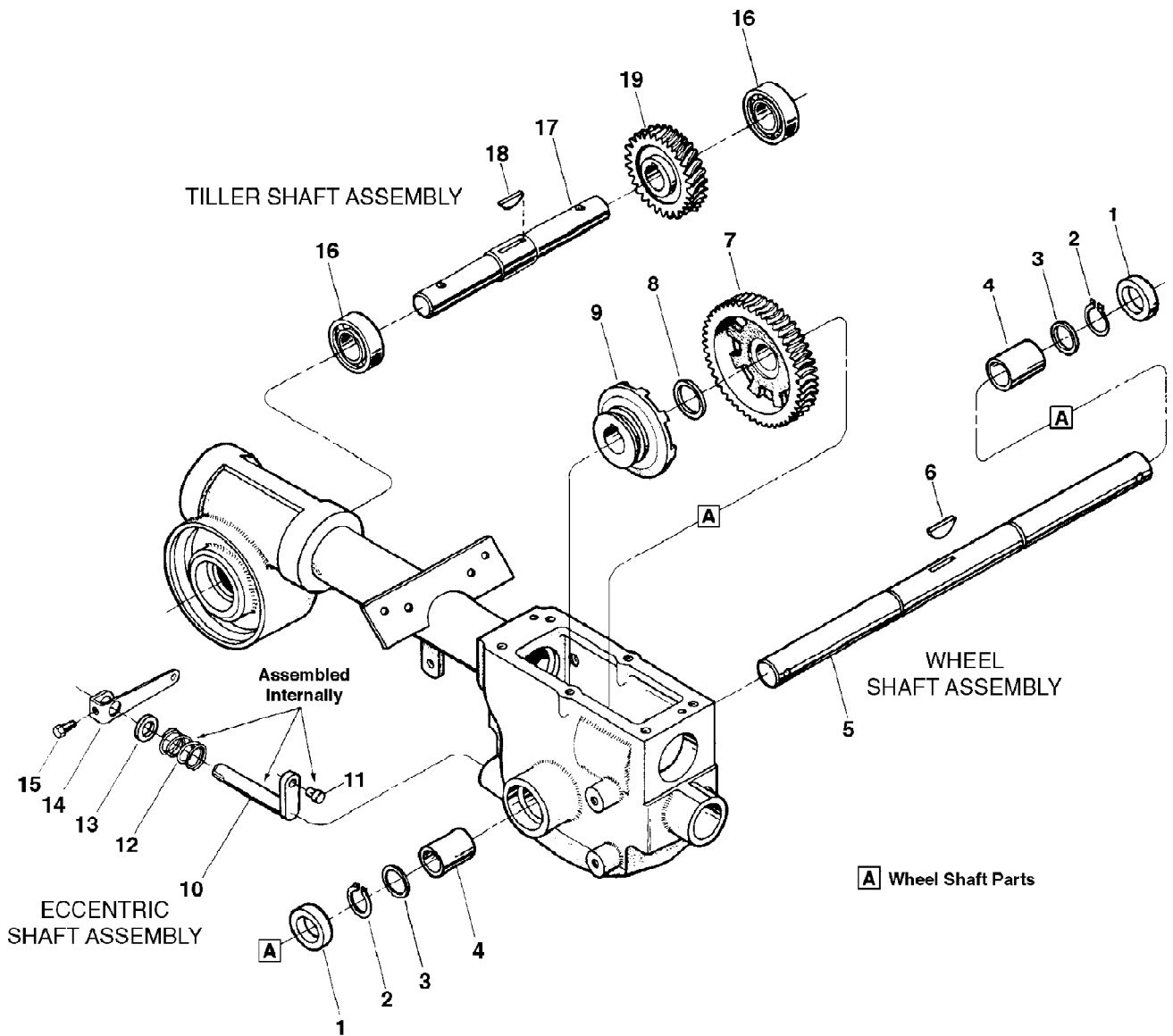


NOTE 1:
THESE SCREWS ARE A SPECIAL SEALING SCREW THAT CAN NOT BE REUSED WITHOUT RISKING THE LOSS OF TRANSMISSION OIL. IF THESE SCREWS ARE LOOSENED OR RE-MOVED, THEY MUST BE REPLACED WITH NEW HARDWARE.

12183 Pony OPC 5.5HP (S/N 121831100101-121831199999)
Transmission Housing, Covers, Seals, Gaskets & Plugs

Page 26 of 28

Ref #	Part Number	Qty	S/P/F	Description
1	9621	2	S	Oil Seal-double lip, wheel shaft
2	9726	2	S	Plug-pipe, 1/4
3	97076	1	S	Seal-transmission bore
4	1186329	6	S	Screw- flanged hex hd., 5/16-18 x 3/4 Specify GRADE 5 if ordering part locally.
5	85030	1		Oil Seal-input pinion shaft
6	11513	1		Cover-top of transmission (Incl. four of Ref. No. 18 and two each of Ref. No.'s 21 and 22)
7	20694	1	S	Gasket-transmission top cover
8	20893	1	S	Transmission case, tube and rear housing assembly
9	9467	1	S	Plug-gear oil fill hole
10	20889	1		Plate-wheel drive cable mounting
11	97073	2	S	Oil Seal-tiller shaft
12	90038	2		Screw- flanged hex hd., 5/16-18 x 5/8 Specify GRADE 5 if ordering part locally.
13	20873	1	S	Cover-tiller housing, left side
14	1129-1	A/R	S	Gasket-tiller housing cover, .010
15	1915089	A/R	/P	Screw Kit: Includes three (3) 1/4-20 x 7/8 self-sealing screws
16	1115	1		Cap-rear bearing
17	1124-2	A/R	S	Gasket-rear bearing cap, .010 thick
18	1186331	4	S	Screw-flanged hex hd., 5/16-18 x 1 Specify GRADE 5 if ordering part locally.
19	1915087	A/R	/P	Screw Kit: Includes five (5) 1/4-20 x 5/8 self-sealing screws
21	1100243	2	S	Lockwasher-3/8
22	1100068	2	S	Screw-hex hd., 3/8-16 x 3/4 Specify GRADE 5 if ordering part locally.



Ref #	Part Number	Qty	S/P/F	Description
1	9621	2	S	Oil Seal
2	9511	2	S	Ring-retaining, heavy-duty, ext.
3	1166-1	A/R	S	Shim-1-1/64 I.D., .062 thick
	1166-2	A/R	S	Shim-as above, but .030 thick
	1166-3	A/R	S	Shim-as above, but .015 thick
	1166-4	A/R	S	Shim-as above, but .010 thick
4	1086	2	S	Bushing
5	2494	1	S	Wheel Shaft (axle)- Incl. Ref. No. 6
6	9373	1	S	Key-hi-pro (1/4 x 1-5/16)
7	20914	1	S	Gear-wheel drive (worm gear)
8	9935	1	S	Shim-1.016 I.D. x 1.468 O.D. x .062 thick
9	20712	1	S	Clutch-wheel drive, cast iron
10	20879	1	S	Eccentric Shaft-wheel clutch
11	1442	1	S	Pin-eccentric shaft
12	9055	1	S	Spring
13	9622	1	S	Oil Seal-eccentric shaft
14	20757	1		Lever-eccentric shaft
15	11000804	1		Screw-hex hd., 1/4-20 x 1/2 Specify GRADE 5 if ordering part locally.
16	97074	2	S	Ball Bearing- For tiller shaft
17	20896	1	S	Tiller Shaft- Incl. Ref. No. 18
18	1104	1	S	Key-woodruff, 1/4 x 1-1/4
19	20913	1	S	Worm Gear-bronze, tiller drive
	737-04040	1	/P	Transmission Gear Oil Quart