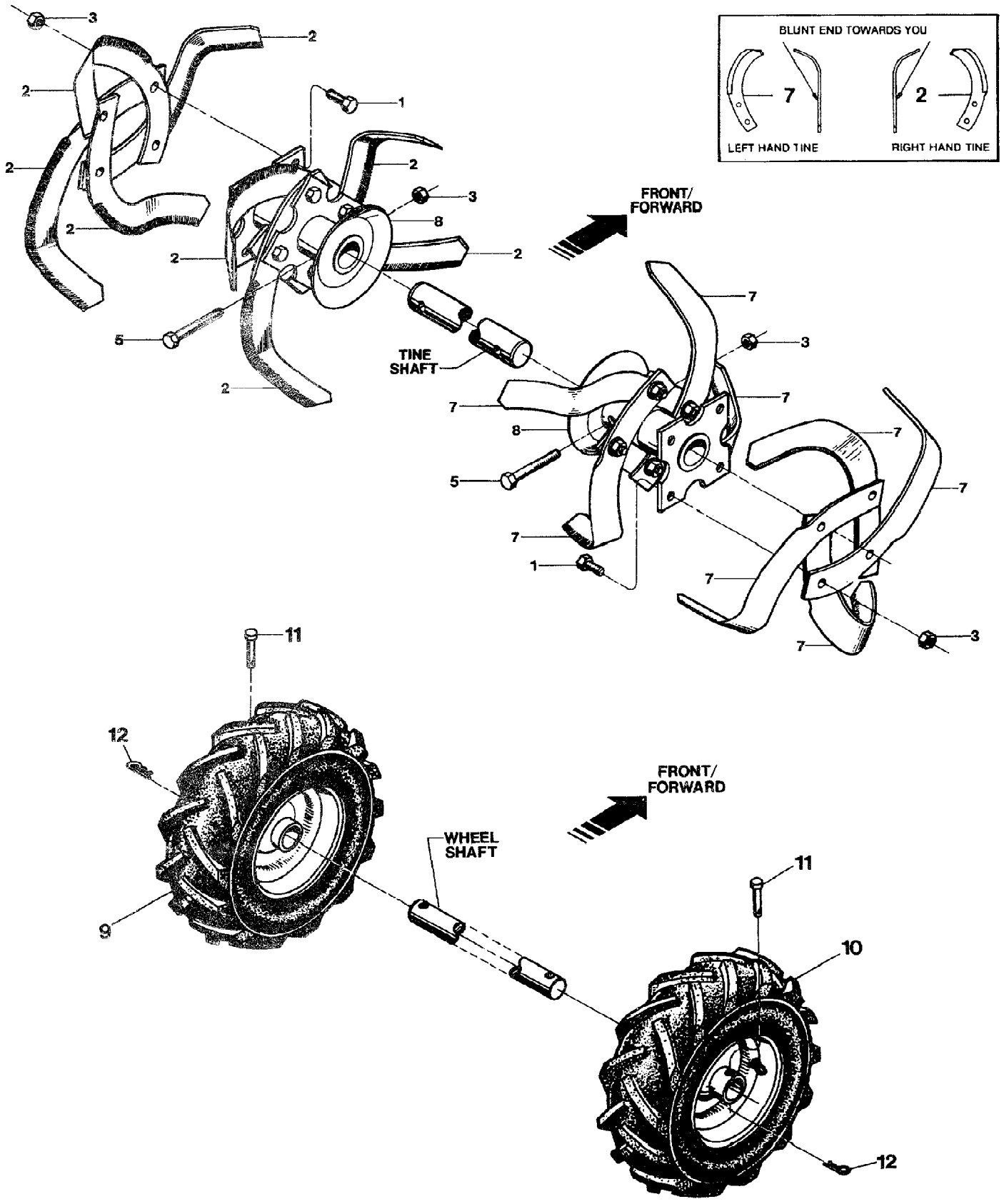


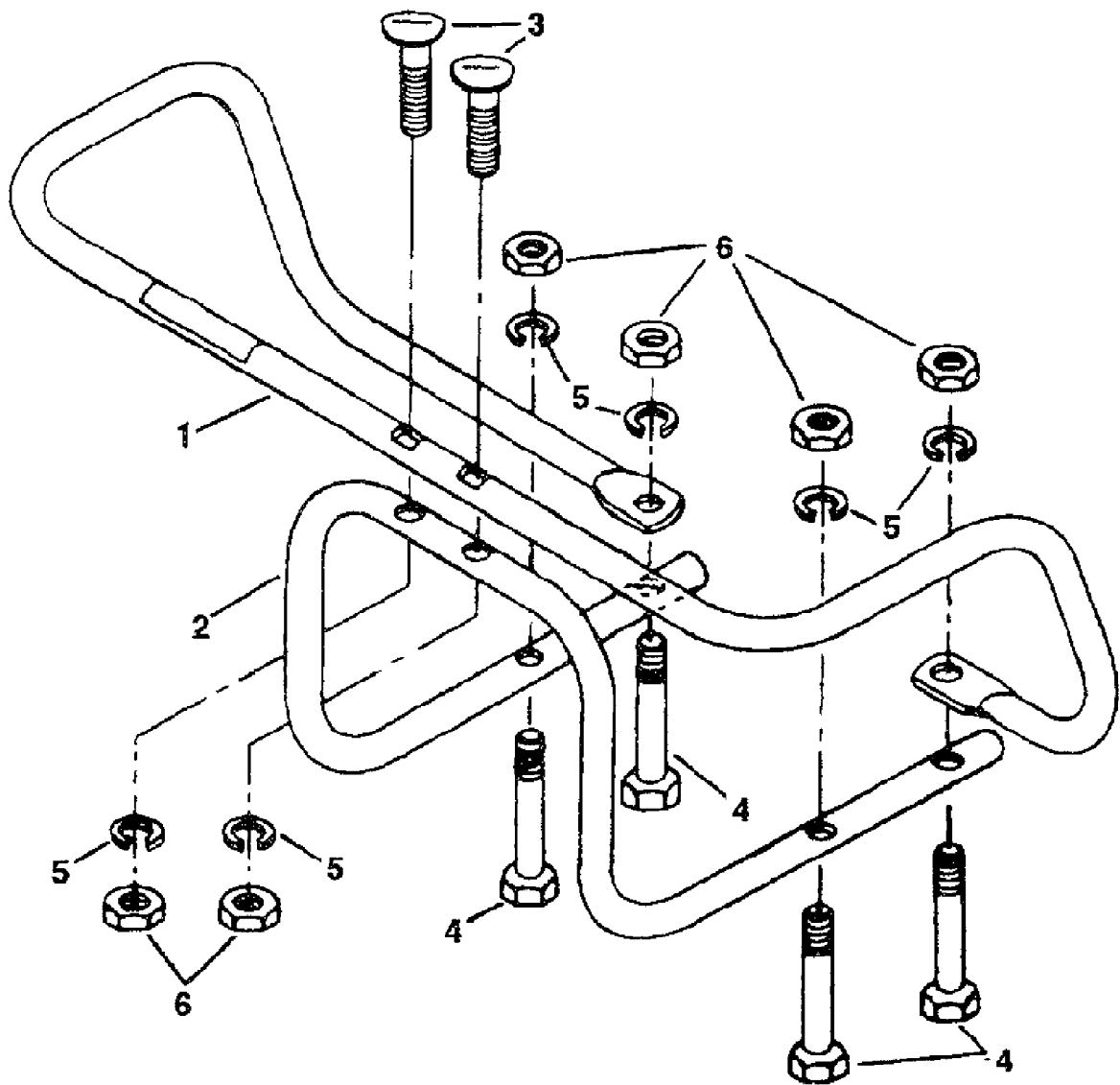
12182 Pony OPC 6HP (S/N 121821100101-121821199999)
Bolo Tines, Wheels



12182 Pony OPC 6HP (S/N 121821100101-121821199999)
Bolo Tines, Wheels

Page 2 of 26

Ref #	Part Number	Qty	S/P/F	Description
1	1100043	16	S/F	Screw-hex hd., 3/8-16 x 1-1/4
2	1270-2A	8	S	Bolo Tine-single, Right hand tine used on left side of tiller; (Incl. two of each Ref. No.'s 1 and 3)
3	1733398	18	S	Hex Locknut, 3/8-16
5	1982612	2	S	Screw-hex hd., 3/8-16 x 2, GRADE 8
7	1270-1A	8	S	Bolo Tine-single, Left hand tine used on right side of tiller; (Incl. two of each Ref. No.'s 1 and 3)
8	1902154010	2	S	Tine Holder- For bolo tines, left and right sides
	1901118	1	S	Replacement set of 16 Bolo Tines- Includes eight each of right hand and left hand tines, and sixteen each of Ref, No.'s 1 and 3
9	2706-01	1	S	Wheel & Tire Assy-left side, 4.10x6 tire mounted on 6" gray wheel, tubeless pneumatic (10-20 lbs. air required), tractor tread
10	2706-02	1	S	Wheel & Tire Assy-right side, same specs. as above
11	9380	2	S	Clevis Pin-.312 x 1-3/4 long
12	9338	2	S	Hitch Pin



BUMPER ATTACHMENT PART #12593
(Viewed from front of tiller)

12182 Pony OPC 6HP (S/N 121821100101-121821199999)
Bumper Attachment - PN 12593

Page 4 of 26

Ref #	Part Number	Qty	S/P/F	Description
1		1		UNKNOWN
2		1		UNKNOWN
3		1		UNKNOWN
4		1		UNKNOWN
5		1		UNKNOWN
6		1		UNKNOWN
?19	1904757001	1	S	Bumper-top section
?20	1904758001	1	S	Bumper-bottom section
?21	1731025	2	/P	Bolt-curved head, 5/16-18 x 2 (special bolt) Also see #1915811 hardware kit
?22	1111608	4		Bolt-hex hd., 5/16-18 x 2-1/2, Not avail. separately (order #1915811 hardware kit; Specify GRADE 5 if ordering part locally.
?23	1100242	6	S	Lockwasher-5/16, Not avail. separately (order #1915811 hardware kit
?24	1186230	6	S	Nut-hex, 5/16-18, Not avail separately (order #1915811 hardware kit
	1915811	1	/P	Hardware Kit: Two #1731025 curved head bolts; four #1111608 hex hd. bolts; six #1100242 lock washers; six #1186230 hex nuts
12593	12593	1		Bumper Attachment

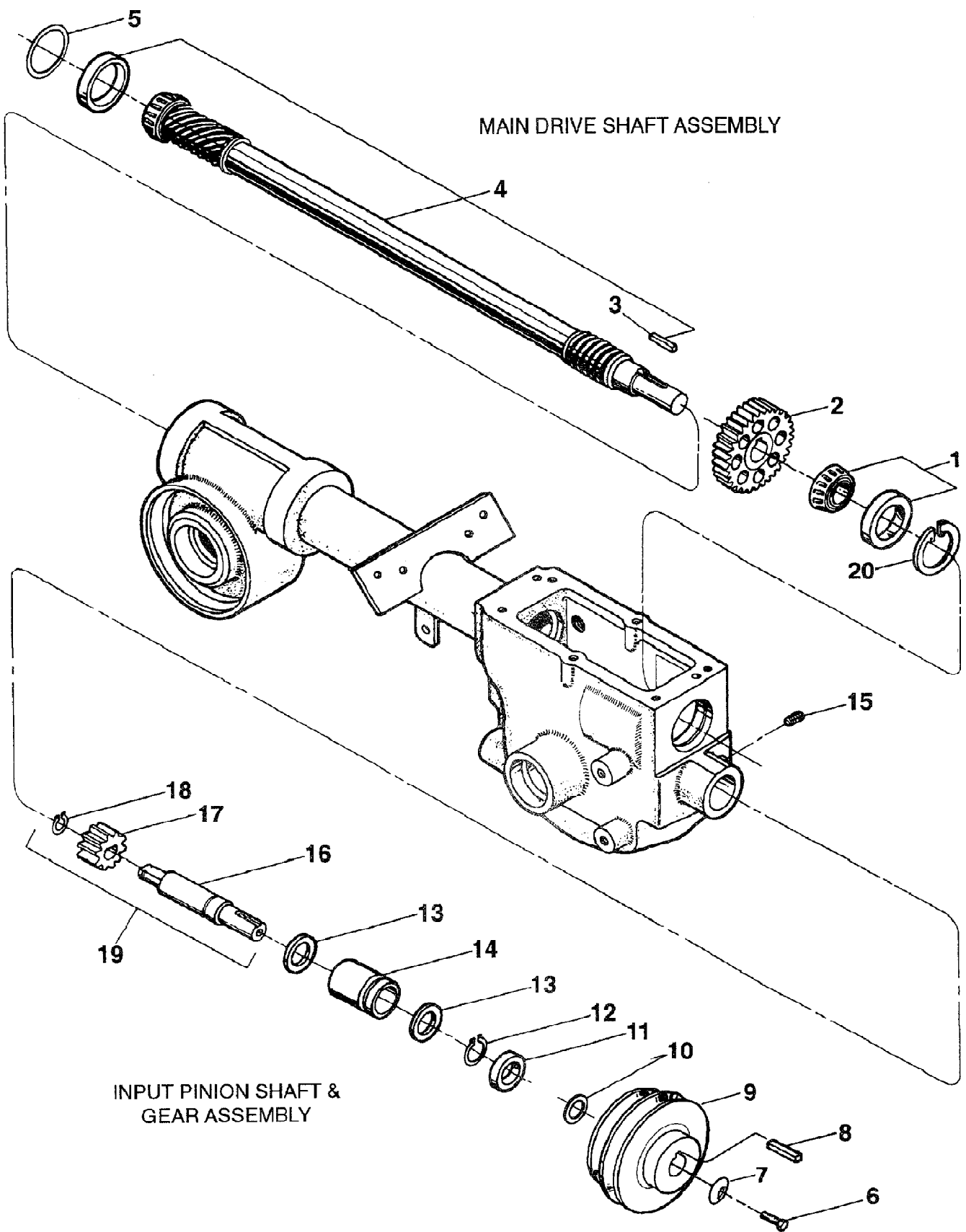
No
Diagram
Available

Parts List
Only

12182 Pony OPC 6HP (S/N 121821100101-121821199999)
 Custom Tilling Tines (Extra Long-Wearing)

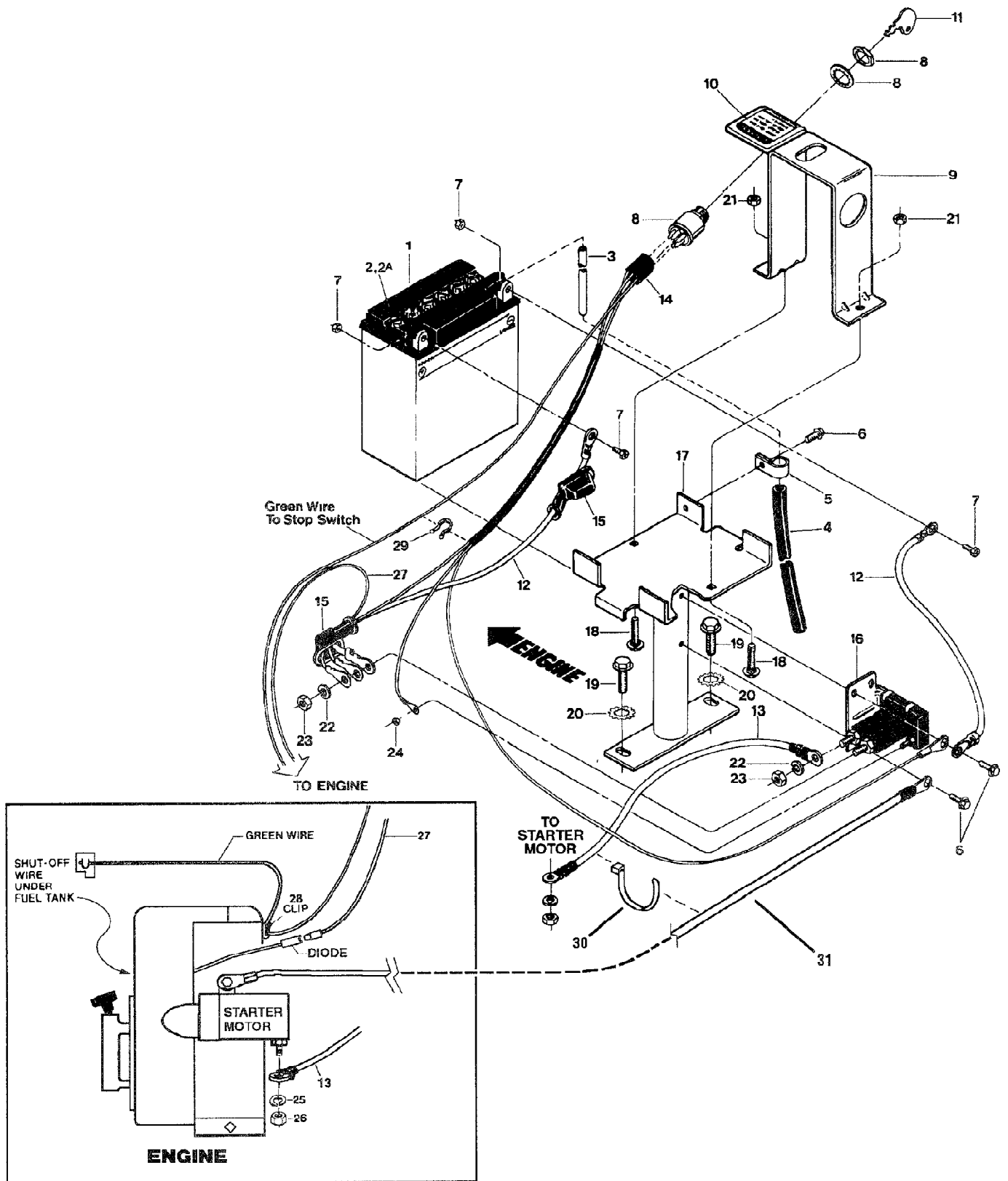
Ref #	Part Number	Qty	S/P/F	Description
	10802	1	S	Custom Tilling Tine Kit- (Includes 8 #2475-1 bolo tines, 8 #2475-2 bolo tines, 16 #1100043 screws and 16 #1733398 locknuts)
	2475-1	8	S	Bolo Tine, custom tilling, left hand
	2475-2	8	S	Bolo Tine, custom tilling, right hand

12182 Pony OPC 6HP (S/N 121821100101-121821199999)
Drive Shaft, Input Pinion Shaft & Gear Assemblies



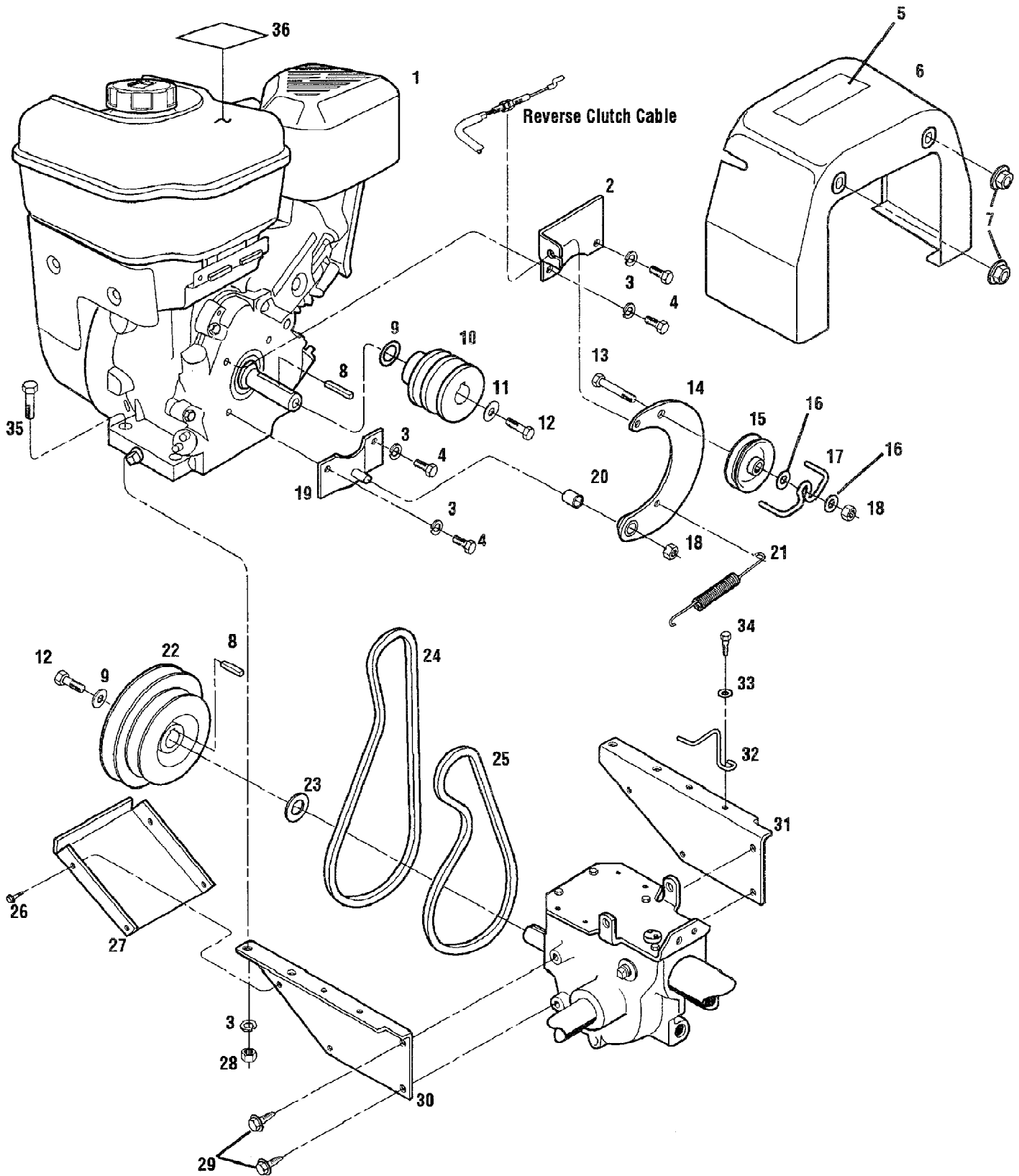
Ref #	Part Number	Qty	S/P/F	Description
1	1714	1	S	Bearing-tapered roller with race
2	20718	1	S	Gear-spur, main drive shaft
3	9301	1	S	Key-3/16 sq. x 1
4	11603	1		Drive Shaft Main drive shaft is one-piece with integral, single-lead work-hardened worm at front to drive the wheel worm gear, and integral six-lead work-hardened worm at rear to drive the tiller gear (also includes pressed-on #1714 rear roller bearing, race for bearing and #9301 key)
5	1224-1	A/R	S	Shim-rear bearing cap, .010 thick Shim between drive shaft rear bearing and rear bearing cap to achieve 5-to-10 thousandths of an inch (.005-.010) end play on drive shaft.
5	1224-2	A/R	S	Shim-same as above, but .030 thick Shim between drive shaft rear bearing and rear bearing cap to achieve 5-to-10 thousandths of an inch (.005-.010) end play on drive shaft.
5	1224-3	A/R	S	Shim-same as above, but .005 thick Shim between drive shaft rear bearing and rear bearing cap to achieve 5-to-10 thousandths of an inch (.005-.010) end play on drive shaft.
	1325C	A/R	S	Shim Set- Includes the following shims: two 1224-1; two 1224-2; one #1224-3
6	9572	1	S/F	Screw-hex hd., 5/16-24 x 1-1/8
7	9944	1	S	Washer-disc spring (concave surface faces pulley)
8	1108841	1	S	Key-3/16 sq. x 1-1/2
9	20880	1		Pulley-transmission drive
10	1440	1	S	Washer-support
11	85030	1		Oil Seal-input pinion shaft, front.
12	9500	1	S	Ring-retaining (snap ring), external
13	9953	2	S	Washer-thrust
14	9428	1	S	Bushing
15	9677	1	S/F	Set Screw-5/16-18 x 3/8
16	20791	1	S	Input Pinion-steel shaft
17	20792	1	S	Gear-input pinion
18	9093	1	S	Retainer-snap ring, external
19	20799	A/R	S	Pinion Assy- (Incl. one each of Ref. No.'s 16, 17 and 18)
20	9517	1	S	Retainer-snap ring, internal

12182 Pony OPC 6HP (S/N 121821100101-121821199999)
Electric Start Assembly



Ref #	Part Number	Qty	S/P/F	Description
1	96512	1		Battery-12 volt, 9 ampere (Incl. Ref. No. 7)
2	9462	A/R		Cap-battery, yellow replacement cap,
2A	9248	A/R		Cap-battery, white replacement cap
3	9009	1	S	Vent Tube-battery
4	1475	1		Shield-vent tube (hard plastic)
5	9224	1		Clamp-vent tube shield
6	9552	3	S/F	Screw-flanged hex hd., self-threading, 1/4-20 x 1/2
7	11361	1		Battery Hdwr Kit- Consists of two M6 x 11 mm bolts and two M6 nuts (metric bolts and nuts)
8	1908112	1	S	Switch, ignition- Includes two ignition keys (Ref. No. 11), one lockwasher and one nut (lockwasher and nut not available separately)
9	1904570	1		Battery Hold-Down Clamp-with attached ignition switch mounting plate (Incl. decal, Ref. No. 10)
10	1904548	1	S	Decal-ignition switch instructions
11	96520	1	S	Key-ignition, one pair
12	96509	2		Cable-battery
13	96510	1	S	Cable-solenoid to starter motor
14	1908118	1	S/F	Wire Harness & Connecting Terminal Assy (Available as complete assembly only).
15	97020	2	S	Boot-terminal insulating
16	96514	1	S	Solenoid- Includes nuts and washers for cables and wires
17	20837	1	S	Bracket-battery
18	1186023	2		Screw-round hd., square neck, 1/4-20 x 1-1/4
19	1186331	2	S/F	Screw-flanged hex hd., 5/16-18x1
20	1177548	2	S	Lockwasher, external tooth
21	1186389	2	/P	Locknut-hex, 1/4-20
22	1100242	2	S	Lockwasher-5/16
23	1186211	2	/P	Nut-hex, 5/16-24
24	9853	1	S	Locknut-hex, #10-32
25		1		Lockwasher-#10 (not available from factory)
26		1		Nut-hex, #10-24 (not available from factory)
27	1901894	1	/P	Wire Assembly-recharging
28	9218	1	S	Clip-holds recharging line
29	9265	1	S	Tie- plastic, wire retaining
30	9202	1	S	Tie- plastic, wire retaining
31	1901202	1	/P	Cable- ground wire to starter motor bracket

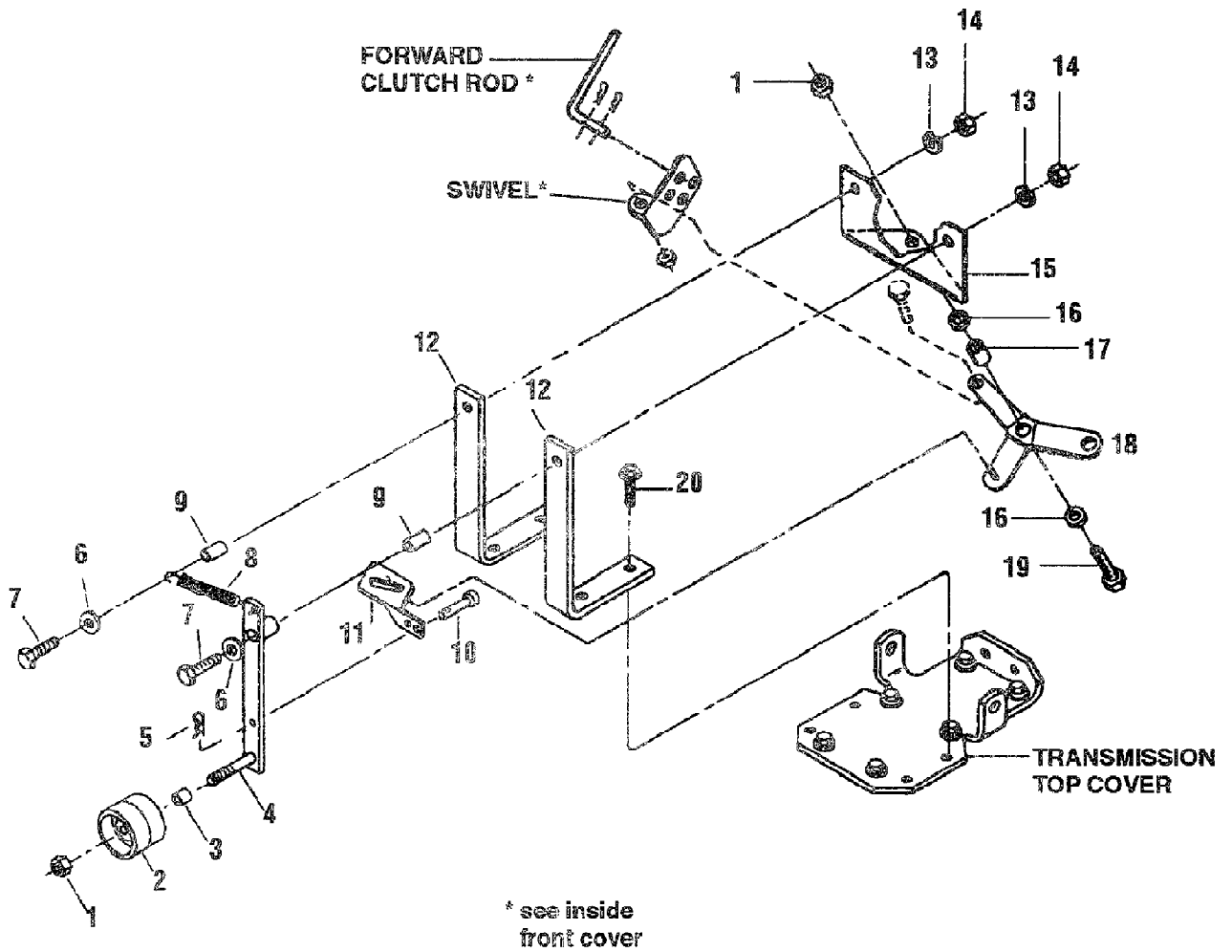
12182 Pony OPC 6HP (S/N 121821100101-121821199999)
Engine, Support Brackets, Pulleys, Belts & Belt Cover



12182 Pony OPC 6HP (S/N 121821100101-121821199999)
Engine, Support Brackets, Pulleys, Belts & Belt Cover

Page 12 of 26

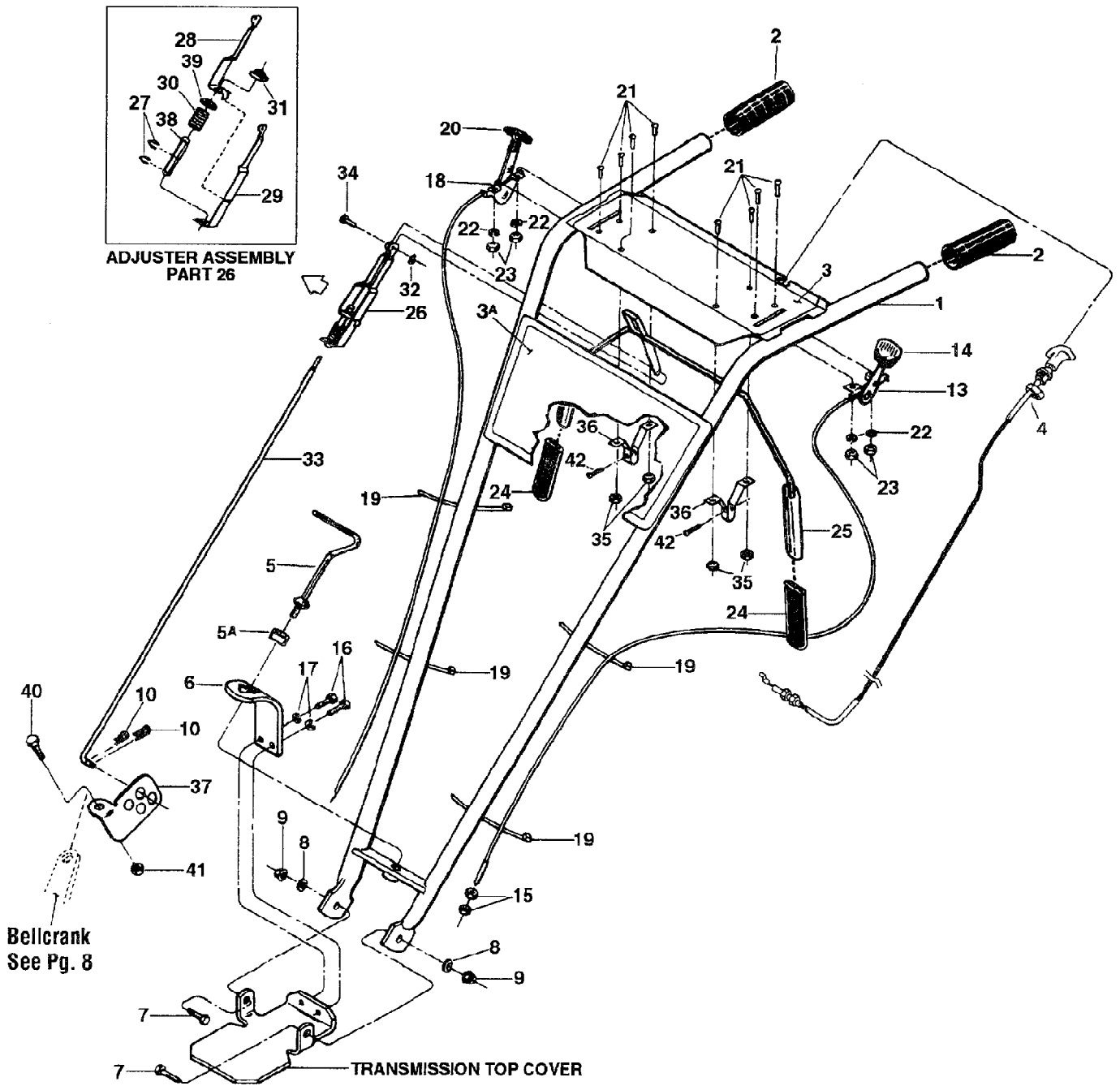
Ref #	Part Number	Qty	S/P/F	Description
1		1		Engine - 6HP, standard recoil start See your local authorized engine service dealer for engine parts of service. Refer to engine nameplate for engine type and code information.
		1		Engine - 6HP, electric start See your local authorized engine service dealer for engine parts of service. Refer to engine nameplate for engine type and code information.
2	1916633001	1		Bracket, Clutch Cable
3	1100242	8	S	Lockwasher-5/16
4	1111696	4		Screw-hex hd., 5/16-24 x 1/2
5	1904557	1		Decal-Hot surfaces/belt warning
6	1917139	1	S	Cover- (Incl. Ref. No. 5)
7	1186391	2	S	Nut 5/16-18, Flange Lock
8	1108841	2	S	Key-3/16 x 1-1 /2
9	9944	1	S	Washer-Disc Spring
10	1916520	1	S	Pulley, Engine Drive
11	9944	2	S	Washer, Belleville
12	9572	2	S	Screw-hex hd., 5/16-24 x 1-1/8
13	1111606	1		Screw-hex hd., 5/16-18 x 2
14	1916578001	1		Reverse Idler Arm
15	1916535	1	/P	Pulley, Reverse Idler
16	1107382	2	/P	Washer, Flat, 5/16
17	1916725	1	S	Belt Guide
18	1110107	1	S	Locknut, 5/16-18
19	1916559001	1		Bracket, Reverse Idler
20	1916536	1		Bushing
21	1916724	1	/P	Spring, Reverse Return
22	1916522	1	S	Pulley, Transmission
23	1440	1	S	Support Washer
24	1916753	1	S	Reverse Drive Belt
25	1909404	1	/P	Forward Drive Belt
26	1900396	4	/P	Screw-hex hd., #10-32 x 1/2, self-tapping
27	1916189001	1	S	Guard, Belts/Pulleys
28	1186230	4	S	Hex Nut, 5/16-18
29	1186329	4	S/F	Screw-flanged hex hd., 5/16-18 x 3/4
30	1916797001	1	/P	Support Bracket-engine, left side
31	1916796001	1	S	Support Bracket-engine, right side
32	1916736	1	S	Belt Guide
33	1107381	1	S	Washer-flat, 1/4
34	9573	1	S/F	Screw-hex hd., self-tapping, 1 /4-20 x 3/4
35	1100799	4	S	Screw-hex hd., 5/16-18 x 1-1/2
36	1915810	1		Decal-Stabilization



12182 Pony OPC 6HP (S/N 121821100101-121821199999)
Forward Idler Assembly

Page 14 of 26

Ref #	Part Number	Qty	S/P/F	Description
1	1110108	2	S	Locknut-hex, 3/8-16
2	9090	1	S	Pulley-idler, forward tiller
3	20532	1	S	Spacer
4	20899	1	S	Idler Arm-left, forward tiller direction
5	9338	1	S	Hairpin Cotter
6	20545	1	S	Washer-plain, 5/16
7	1111607	2	S/F	Screw-hex hd., 5/16-18 x 2-1/4
8	1492	1	S	Spring
9	9479	2	S	Pivot Bushing
10	9340	1		Pin
11	20517-01	1		Forward Link
12	20751	2		Mounting Bar
13	1100242	2	S	Lockwasher-5/16
14	1186230	2	S	Nut-hex, 5/16-18
15	20842	1	S	Shifting Base
16	20553	2	S	Spacer-Bushing
17	20532	1	S	Bushing-bellcrank
18	20838	1	S	Bellcrank
19	1100043	1	S/F	Screw-hex hd., 3/8-16 x 1-1/4
20	1186331	1	S	Screw-flanged hex hd., 5/16-18 x 1



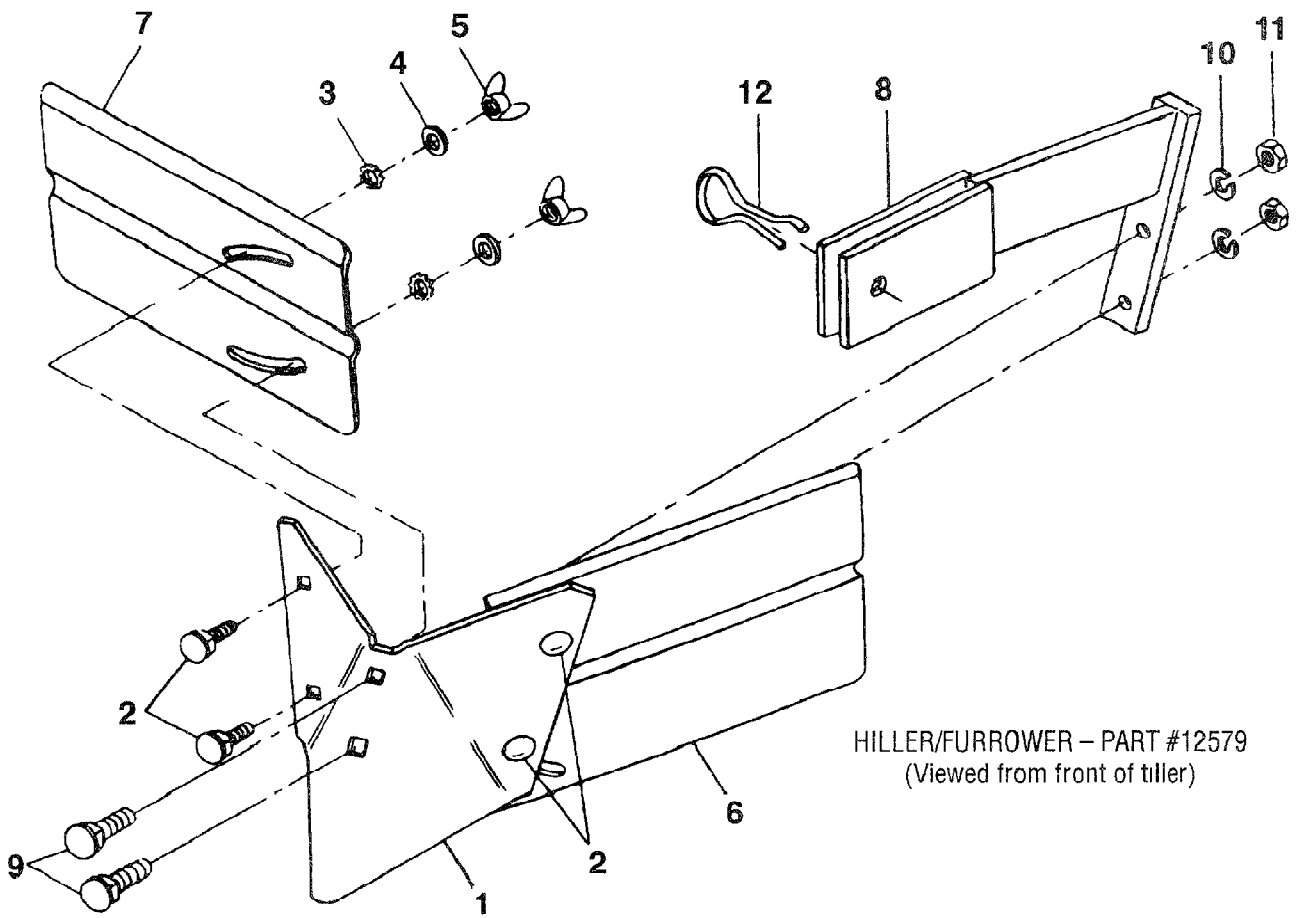
12182 Pony OPC 6HP (S/N 121821100101-121821199999)
Handlebar Assembly & Control Levers

Page 16 of 26

Ref #	Part Number	Qty	S/P/F	Description
1	1917140	1		Handlebars- (Incl. Ref. No.'s 2, 3 and 3A)
2	9126	2	S	Grip-handlebars
3	1916933	1		Decal-for operator control panel
3A	20924	1	S	Decal-Troy-Bilt Pony (model name, logo)
4	1916784	1	S	Reverse Clutch Control Cable
5	20703	1		Handle, Height Adjustment
5A	9955	1	S	Washer-keyed
6	1900475001	1	S	Bracket-handlebar height adjust
7	1100046	2	S/F	Screw-hex hd., 3/8-16 x 1
8	9904	2	S	Washer-plain (flat) 3/8, S.A.E
9	9837	2	S	Locknut-hex, 3/8-16
10	9338	2	S	Hair Pin Cotter
13	9442	1	S	Wheel Gear Control & Cable Assy. (Incl. Ref. No.'s 14, 15, 19, 21, 22, and 23)
14	9057	1	S	Knob-wheel gear control lever
15	1186211	2	/P	Nut-hex, 5/16-24, wheel gear cable adjustment
16	1100068	2	S/F	Screw-hex hd., 3/8-16 x 3/4
17	1100243	2	S	Lockwasher-3/8
18	1916900	2		Engine Throttle Control & Cable
19	1735531	4	S	Ties-plastic
20	9212	1	S	Knob-throttle control lever
21	1114748	8	/P	Screw-round hd, No. 10-32 x 1/2
22	1100240	4	/P	Lockwasher-No.10
23	1186208	4	/P	Nut-hex, No. 10-32
24	9390	2	S	Grip-paddle
25	20863	1	S	Bail-forward clutch control (Incl. two Grips, Ref. No. 24)
26	20862	1	S	Adjuster Assembly (Incl. Ref. No.'s 27, 28, 29, 30, 38 and 39)
27	9532	2	S	Klip Ring
28	20808	1	S	Adjuster, Right Side
29	20809	1	S	Adjuster, Left Side
30	9059	1	S	Spring-Adjuster
31	9522	1		Nut-rectangular
32	9386	1		Klip Ring
33	20831	1	S	Rod-forward clutch
34	97083	1		Pin-Clevis
35	9853	4	S	Sems Nut
36	20806	2	S	Bracket-bail support
37	20888	1	S	Swivel
38	9432	1		Bushing
39	9973	1		Washer
40	1100805	1	S/F	Screw-hex hd., 1/4-20 x 3/4
41	9811	1		Nut-1/4-20
42	9552	2	S/F	Screw-flanged hex hd, self-tapping, 1/4-20 x 1/2

12182 Pony OPC 6HP (S/N 121821100101-121821199999)
Hiller/Furrower Attachment

Page 17 of 26



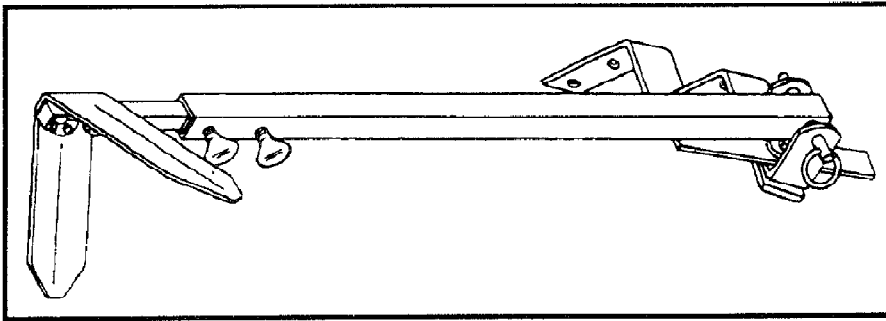
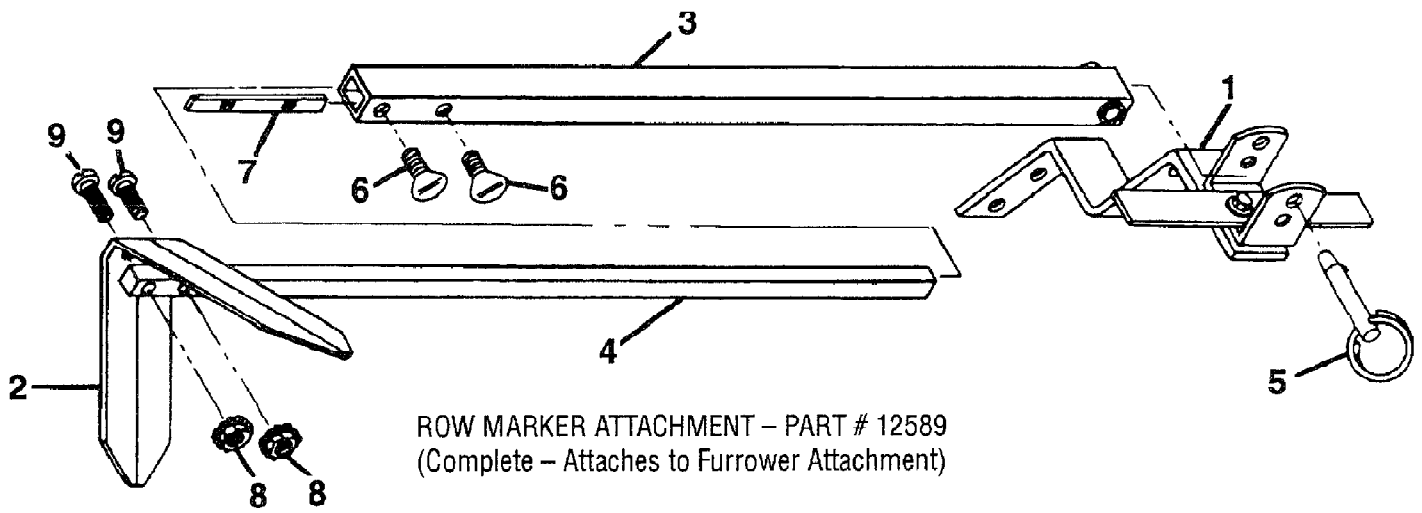
HILLER/FURROWER - PART #12579
(Viewed from front of tiller)

12182 Pony OPC 6HP (S/N 121821100101-121821199999)
Hiller/Furrower Attachment

Page 18 of 26

Ref #	Part Number	Qty	S/P/F	Description
1	1900771001	1	/P	Furrower-blade only
2	1186098	4	/P	Carriage Bolt-5/16-18 x 3/4
3	1177548	4	S	Star Washer-external tooth, 5/16
4	9902	4		Plain Washer-5/16 S.A.E
5	9824	4	S	Wing Nut-5/16-18
6	1900773001	1	/P	Hiller Wing-left
7	1900774001	1	/P	Hiller Wing-right
8	1900772001	1	S	Bracket-blade mounting
9	9725	2	S	Carriage Bolt-blade mounting, 3/8-16 x 1-1 /2
10	1100243	2	S	Lockwasher-3/8, plated
11	1186231	2	S	Nut hex, 3/8-16, plated
12	9318	1	S	Pin-clinch
12579	12579	1		Hiller/Furrower- Complete attachment (owner must bolt blade to mounting bracket, and wings to blade). Instructions included

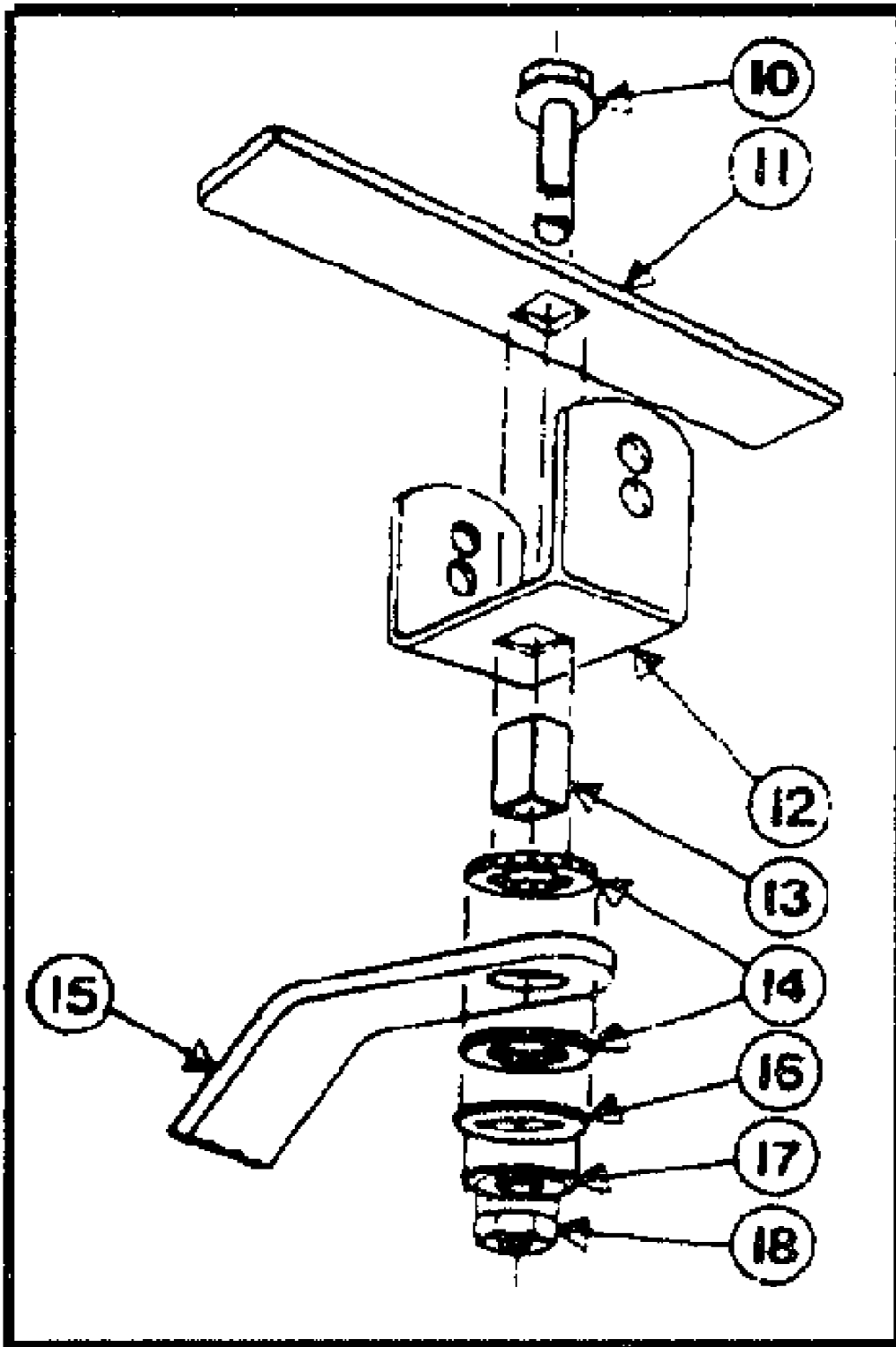
12182 Pony OPC 6HP (S/N 121821100101-121821199999)
Row Marker Attachment



12182 Pony OPC 6HP (S/N 121821100101-121821199999)
Row Marker Attachment

Page 20 of 26

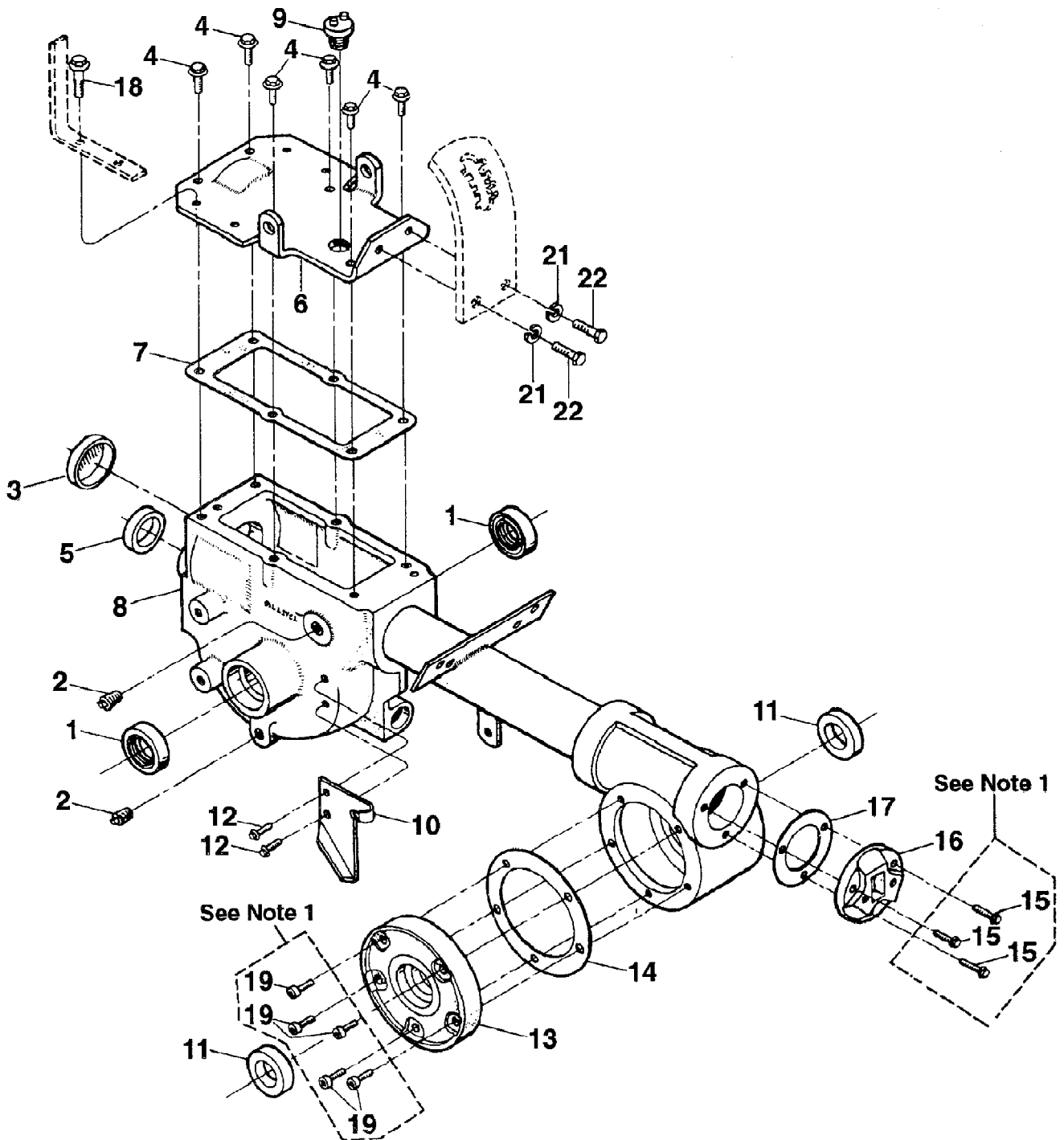
Ref #	Part Number	Qty	S/P/F	Description
1	1904522001	1		Main Support & Yoke Assy-complete Incl. Ref. No.'s 10,11,12,13,14,15,16,17 & 18 "Row Marker Main Support & Yoke Assembly - P/N 1904522001" ill. and parts list
2	1594	1	S	Marker Blade-blade only
3	1904524001	1		Marker Arm-main arm
4	1904523001	1		Marker Arm-extension arm with stop pin
5	9347	1	S	Hitch Pin- (Incl. in Hardware Pkg #1837)
6	9786	2		Thumbscrew-1/4-20 x 1/2, not avail. sep. (See hardware pkg. #1837)
7	1596	1	S	Nut Bar- (Incl. in hardware pkg #1837)
8	9828	2		Nut-hex, 10-24 w/attached start washers, not avail. sep. (See hardware pkg #1837)
9	1100135	2	/P	Screw-round hd.,10-24 x 1, not avail. sep. (See hardware pkg #1837)
	1837	1	S	Hardware Package- Includes: one #9347 hitch pin (Ref. 5), two #9786 thumbscrews (Ref. 6), one #1596 nut bar (Ref. 7), two #9828 hex nuts (Ref. 8), two 1100135 screws (Ref. 9)
	12582	1		Row Marker Attachment & Pony Hiller/Furrower Attachment Complete: incl. #12579 Pony Hiller/Furrower and #12589 Row Marker
12589	12589	1		Row Marker Attachment- Complete: attaches to furrower attachment #12579, includes #1904522001 Main Support & Yoke Assy



**MAIN SUPPORT & YOKE
ASSEMBLY
PART # 1904522001**

12182 Pony OPC 6HP (S/N 121821100101-121821199999)
 Row Marker Main Support & Yoke Assembly - PN 1904522001

Ref #	Part Number	Qty	S/P/F	Description
10	1186349	1	/P	Screw-hex flanged locking, 3/8-16 x 1-1 /2 Specify GRADE 5 if ordering part locally.
11	1593	1	S	Stop Bar
12	1592	1	S	Yoke
13	1591	1	S	Tube Key-square
14	1590	2	S	Washer-friction
15	1588	1	S	Main Support
16	1589	1	S	Washer-square hole
17	9925	1		Washer-disc spring
18	1186231	1	S	Nut hex 3/8-16
1904522001	1904522001	1		Row Marker Main Support & Yoke Assembly



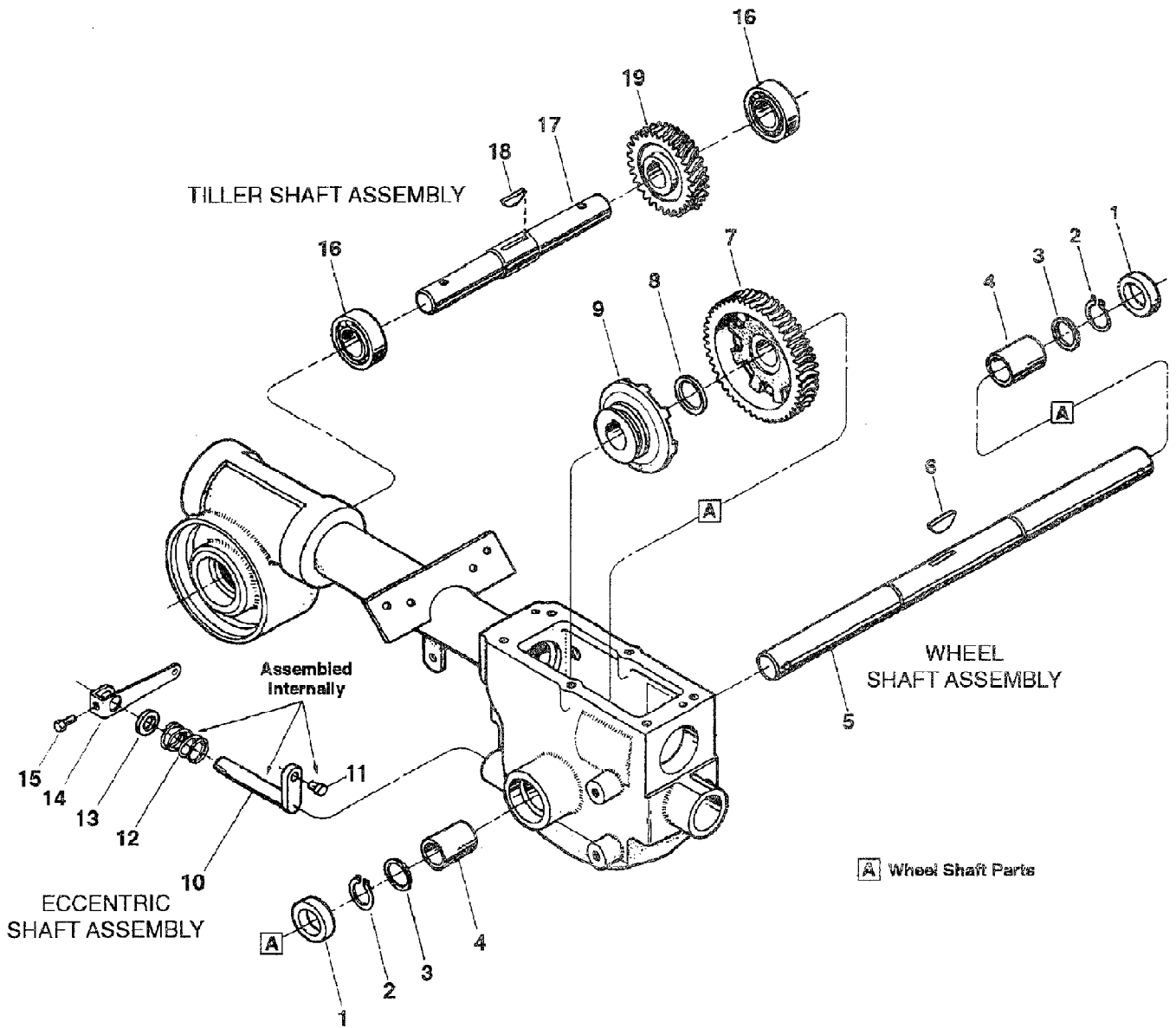
NOTE 1: THESE SCREWS ARE A SPECIAL SEALING SCREW THAT CAN NOT BE REUSED WITHOUT RISKING THE LOSS OF TRANSMISSION OIL. IF THESE SCREWS ARE LOOSENED OR REMOVED, THEY MUST BE REPLACED WITH NEW HARDWARE.

12182 Pony OPC 6HP (S/N 121821100101-121821199999)
Transmission Housing, Covers, Seals, Gaskets & Plugs

Page 24 of 26

Ref #	Part Number	Qty	S/P/F	Description
1	9621	2	S	Oil Seal-double lip, wheel shaft, right and left sides
2	9726	2	S	Plug-pipe, 1/4, oil level hole and gear oil drain hole
3	97076	1	S	Seal-transmission bore
4	1186329	6	S/F	Screw-flanged hex hd., 5/16-18 x 3/4
5	85030	1		Oil Seal-input pinion shaft
6	11513	1		Cover-top of transmission (Incl. four of Ref. No. 18 and two of each of Ref. No.'s 21 and 22)
7	20694	1	S	Gasket-transmission top cover
8	1916197001	1	S	Transmission case, tube and rear housing assembly
9	9467	1	S	Plug-gear oil fill hole
10	1916198001	1	/P	Plate-wheel drive cable mounting
11	97073	2	S	Oil Seal-tiller shaft, left and right sides
12	90038	2	F	Screw-flanged hex hd., 5/16-18 x 5/8
13	1916273001	1	S	Cover-tiller housing, left side
14	1129-1	A/R	S	Gasket-tiller housing cover, .010 (fits all covers)
15	1915089	A/R	/P	Screw Kit: Includes three (3) 1/4-20 x 7/8 self-sealing screws
16	1115	1		Cap-rear bearing
17	1124-2	A/R	S	Gasket rear bearing cap, .010 thick
18	1186331	4	S/F	Screw-flanged hex hd., 5/16-18 x 1
19	1915087	A/R	/P	Screw Kit: Includes five (5) 1/4-20 x 5/8 self-sealing screws
21	1100243	2	S	Lockwasher-3/8
22	1100068	2	S/F	Screw-hex hd., 3/8-16 x 3/4

12182 Pony OPC 6HP (S/N 121821100101-121821199999)
Wheel Shaft, Eccentric Shaft & Tiller Shaft Assemblies



12182 Pony OPC 6HP (S/N 121821100101-121821199999)
Wheel Shaft, Eccentric Shaft & Tiller Shaft Assemblies

Page 26 of 26

Ref #	Part Number	Qty	S/P/F	Description
1	9621	2	S	Oil Seal-left and right sides
2	9511	2	S	Ring-retaining, heavy-duty, external
3	1166-1	A/R	S	Shim-1-1/64 I.D., .062 thick
	1166-2	A/R	S	Shim-as above, but .030 thick
	1166-3	A/R	S	Shim-as above, but .015 thick
	1166-4	A/R	S	Shim-as above, but .010 thick
4	1086	2	S	Bushing
5	2494	1	S	Wheel Shaft (axle)- Incl. Ref. No. 6
6	9373	1	S	Key-hi-pro (1/4 x 1-5/16), clutch to wheel shaft
7	20914	1	S	Gear-wheel drive (worm gear), cast iron
8	9935	1	S	Shim-between key and gear (1.016 I.D. x 1.468 O.D. x .062 thick)
9	20712	1	S	Clutch-wheel drive, cast iron
10	20879	1	S	Eccentric Shaft wheel clutch shifting
11	1442	1	S	Pin-eccentric shaft
12	9055	1	S	Spring
13	9622	1	S	Oil Seal-eccentric shaft
14	20757	1		Lever-eccentric shaft
15	11000804	1	F	Screw-hex hd., 1/4-20 x 1/2
16	97074	2	S	Ball Bearing- For tiller shaft
17	20896	1	S	Tiller Shaft- Incl. Ref No. 18
18	1104	1	S	Key-woodruff, 1/4 x 1-1/4, For tiller shaft/worm gear
19	20913	1	S	Worm Gear-bronze, tiller drive