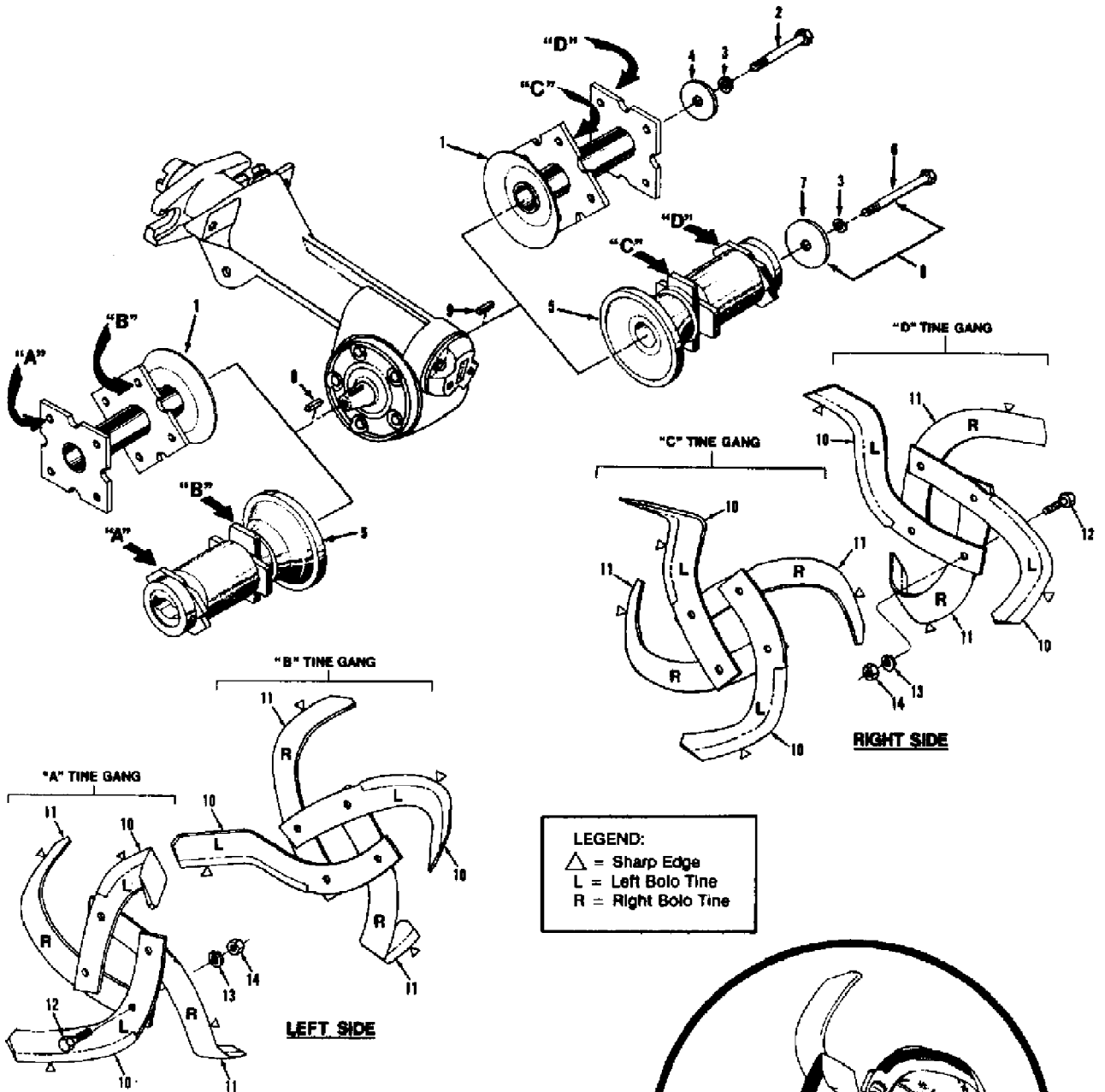


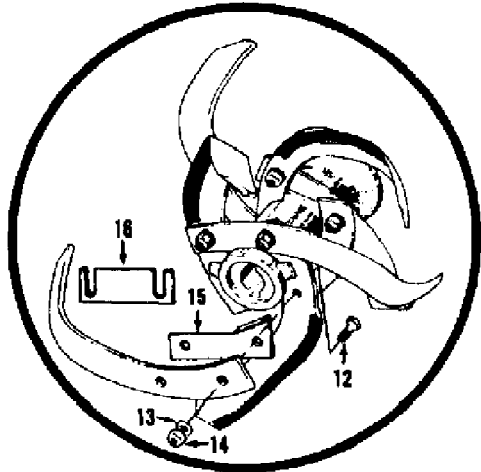
HORSE III 6HP ROTO TILLER (S/N 640000-855638)
Bolo Tine Assemblies



LEGEND:
 △ = Sharp Edge
 L = Left Bolo Tine
 R = Right Bolo Tine

NOTE: Make sure Sharp Edge △ of tines faces FORWARD to enter soil first

LEFT HAND TINE RIGHT HAND TINE
 (As viewed with blunt edge facing you.)



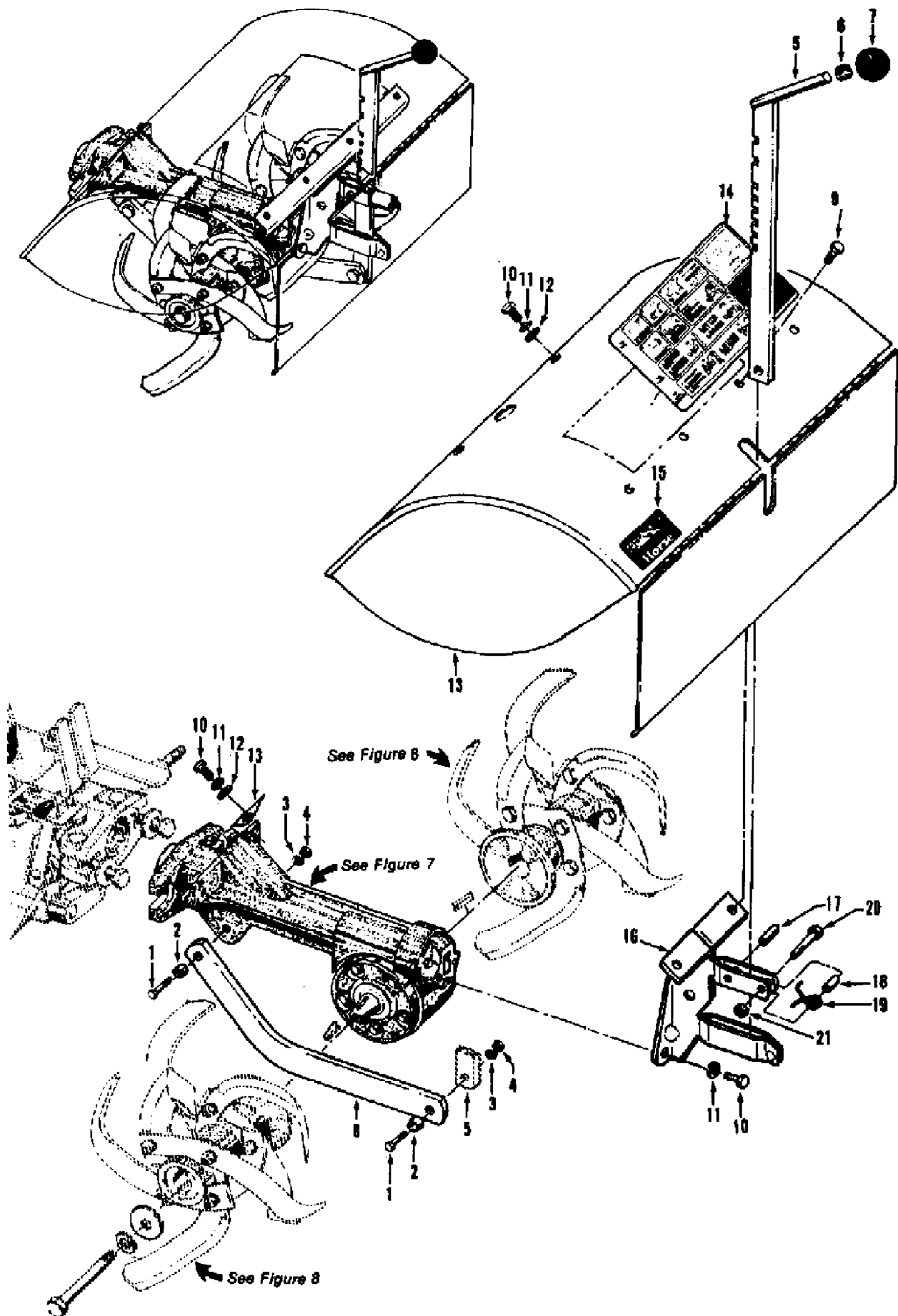
SHIMS SHOWN ABOVE USED FOR TINES MOUNTED ON CAST IRON TINE HOLDERS

HORSE III 6HP ROTO TILLER (S/N 640000-855638)
Bolo Tine Assemblies

Page 2 of 25

Ref #	Part Number	Qty	S/P/F	Description
1	GW-2415	2	S/F	TINE HOLDER- welded steel. For left or right side of tiller.
2	GW-9669	2		BOLT - hex hd., 1/2"-20 x 4-3/4" long. Mounts Part #2415 welded steel tine holder on tine shaft
3	GW-9914	2	S	LOCKWASHER-1/2", holder mounting
4	GW-9952	2		WASHER - flat. Outer dia. 1.500", inner dia. .516",thickness .182". Use with Part 119669 bolt only
5	GW-1205	2	F	TINE HOLDER - cast iron. For left or right side of tiller.
6	GW-1463	2		BOLT - hex hd.,1/2"-20 x 5-3/4" long. Mounts Part #1205 cast iron tine holder on tine shaft
7	GW-1461	2		WASHER - flat. Outer dia. 1-3/4", inner dia. 17/32". Use with Part #1463 bolt only
8	GW-1735	1		BOLT 8 WASHER SET - Includes one each Part #1483 bolt, #9914 lockwasher and #1461 washer. Use with Part 81205 tine holder only
9	GW-9301	2	S	KEY - tine shaft 3/16" square x 1" long
10	GW-1270-1A	8	S	BOLO TINE - single, Left Hand. Used on left and right side tine assemblies. Tine is stamped either "F1" or "AL"
11	GW-1270-2A	8	S	BOLO TINE- single, Right Hand. Used on left and right side tine assemblies. Tine is stamped either "ER" or "AR"
12	GW-9711	16	S	BOLT - hex hd., 3/8"-16 x 1", tine mounting
13	GW-9913	16	S	LOCKWASHER-3/8" tine mounting
14	GW-9802	16	S	NUT- hex, 3/8"-16, tine mounting
15	GW-2253	1		TINE SHIM - used as needed to correct loose-fitting tines mounted on cast iron tine holders only
16	GW-2254	1		TINE SHIM - used as needed to correct loose-fitting tines mounted on cast iron tine holders only
	GW-1245K	1	S/F	TINE REPLACEMENT KIT- unassembled.
	GW-10355	1	F	WELDED STEEL TINE HOLDER REPLACEMENT KIT - Includes one each of Part #2415 welded steel tine holder, #9669 bolt, #9914 lockwasher and #9952 washer. Order two kits if replacing both holders.

HORSE III 6HP ROTO TILLER (S/N 640000-855638)
Depth Regulator & Tine Hood Assemblies

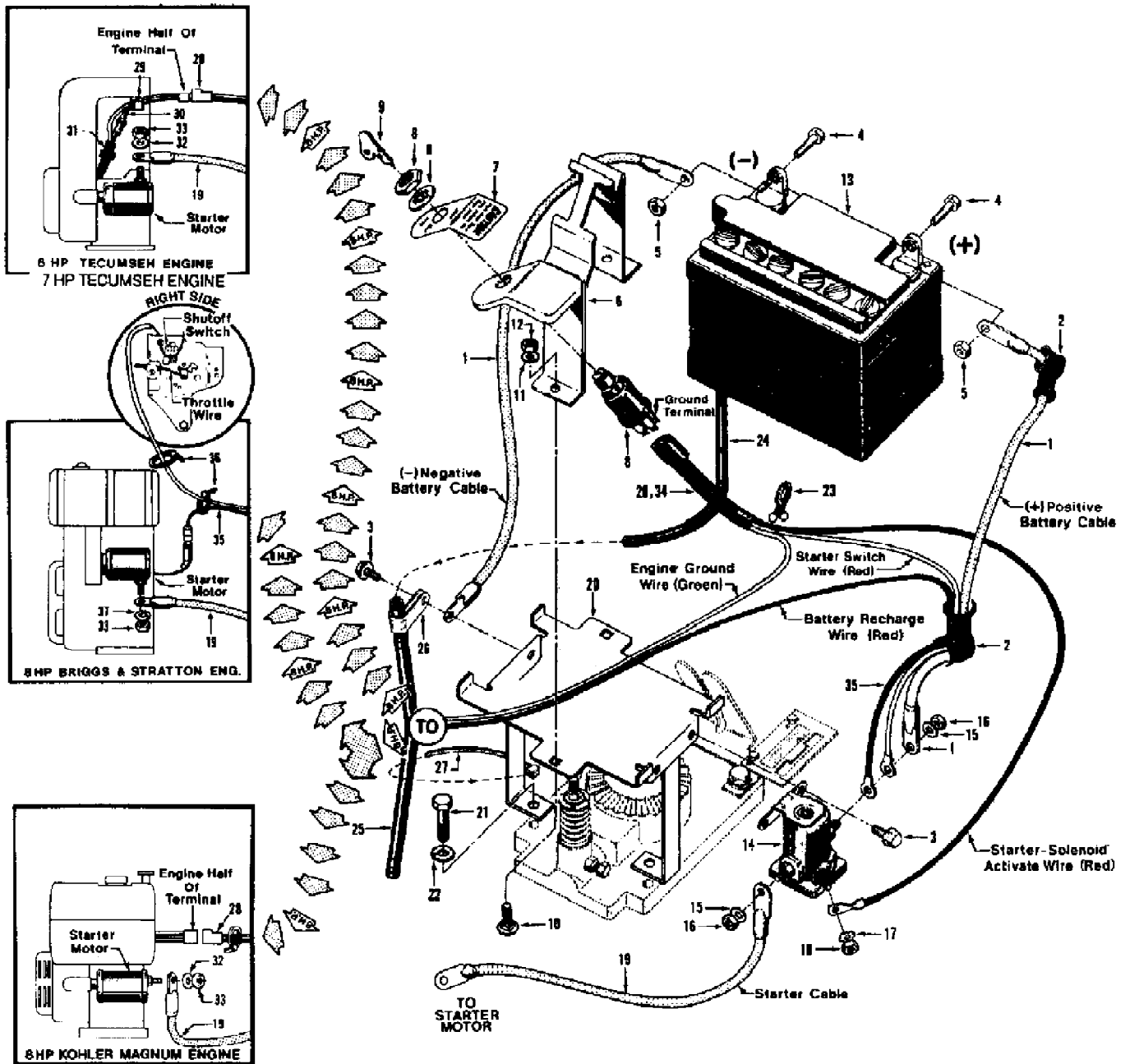


HORSE III 6HP ROTO TILLER (S/N 640000-855638)
Depth Regulator & Tine Hood Assemblies

Page 4 of 25

Ref #	Part Number	Qty	S/P/F	Description
1	GW-9712	2	S	BOLT- hex. hd., 3/8"-16 x 1-1/4", drag bar mounting
2	GW-1113-1	2	S	BUSHING - 19/64" (.300") long, drag bar
3	GW-9913	2	S	LOCKWASHER - spring lock 3/8"
4	GW-9802	2	S	NUT - hex., 3/8"-16
5	GW-1117A	1	S	BAR - depth regulator Includes #9119 knob (Ref. 07) and M20 retaining ring (Ref. M6)
6	GW-9120	1	/P	RING - retaining (tolerance ring)
7	GW-9119	1	/P	KNOB- depth regulator
8	GW-2121	1	S	BAR - drag, depth regulator
9	GW-9552	4	S	SCREW - thread forming, 1/4"-20 x 1/2", (lockwasher and nut not required). Mounts hood to bracket; Replaces 9723
10	GW-9703	4	S	BOLT - hex. hd., 5/16"-18 x 3/4" hood to tiller housing and hood bracket to rear bearing cap
11	GW-9912	4	S	LOCKWASHER - spring lock, 5/16"
12	GW-9929	2	/P	WASHER - flat, 5/16"
13	GW-2470	1	/P	HOOD tine cover with hinged flap Includes hood decals (Ref. #14 and 15)
14	GW-2413	1	S	DECAL - hood, operating Instructions
15	GW-1238	1	S	DECAL- model name (HORSE)
16	GW-2527	1	/P	BRACKET- tine hood and depth regulator Replaces 2255
17	GW-9308	1	S	PIN - roll (spiral), 1/4" x 1" long
18	GW-9438	1	S	SPACER
19	GW-9384	1	S	SPRING
20	GW-9734	1	S	BOLT - hexhd., 1/4"-20 x 1"
21	GW-9811	1	S	LOCKNUT - 1/4"-20

HORSE III 6HP ROTO TILLER (S/N 640000-855638)
Electric Start System - 6HP, 7HP, & 8HP Tillers



HORSE III 6HP ROTO TILLER (S/N 640000-855638)
Electric Start System - 6HP, 7HP, & 8HP Tillers

Page 6 of 25

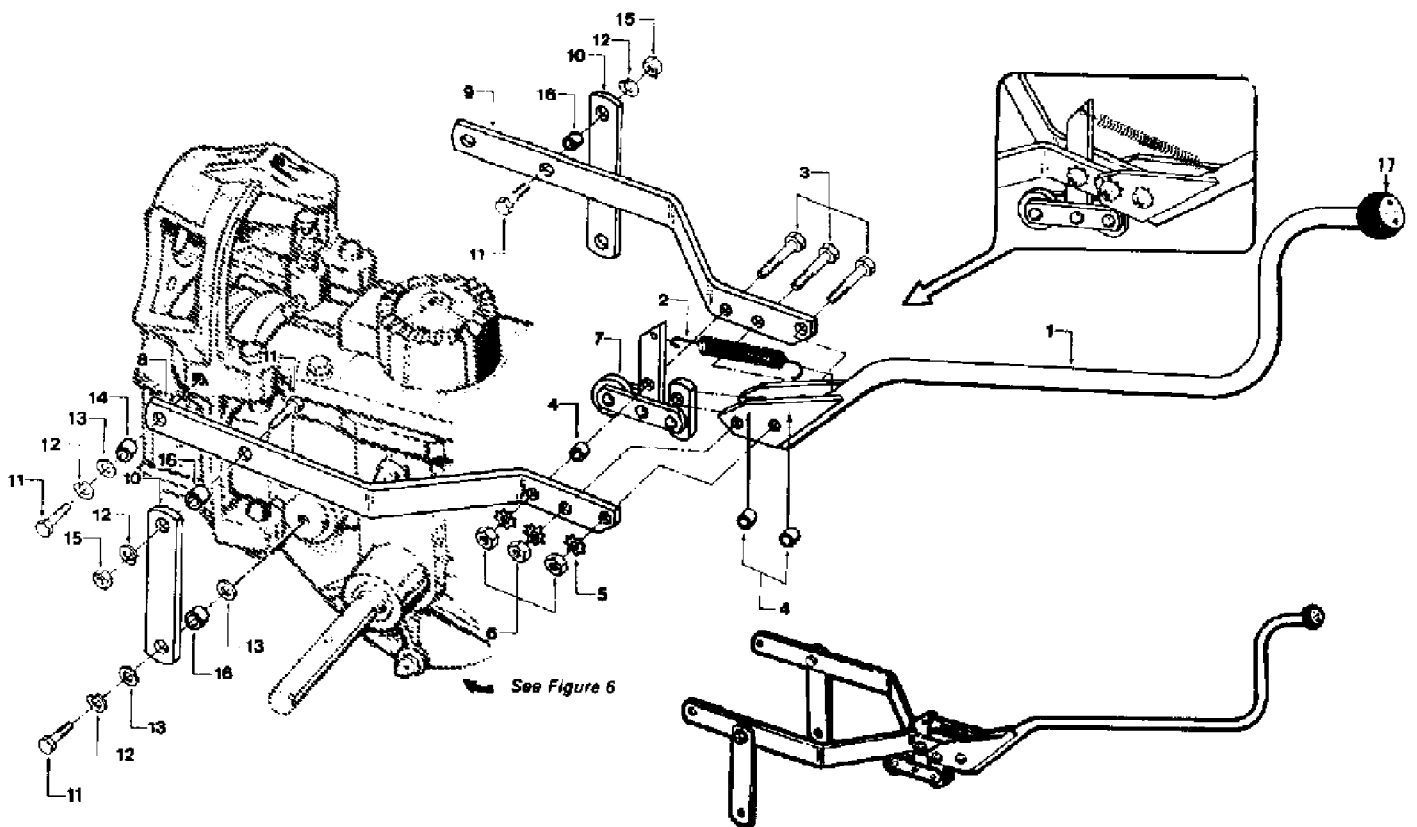
Ref #	Part Number	Qty	S/P/F	Description
1	GW-9295	2	S	CABLE-battery, positive and negative terminals
2	GW-9255	2		RUBBER BOOT- terminal insulating
3	GW-9552	3	S	SCREW -self threading, 1/4"-20 x 1/2", one for grounding negative cable and two for mounting solenoid to bracket
4	GW-9703	2	S	BOLT- hex. hd., 5/16"-18 x 3/4", battery terminals
5	GW-9801	2	S	NUT -hex., 5/16"-18, battery terminals
6	GW-2241	1	S	BATTERY HOLD-DOWN CLAMP- with attached Key Switch Plate (includes #20418 decal). Introduced on Tiller Serial #648406. Use with #2182 battery bracket; Replaces 1468
7	GW-20418	1	S	DECAL - key switch instructions
8	GW-9230	1		KEY SWITCH - includes two 89243 keys, one lockwasher and one mounting nut (hardware not available separately from Garden Way)
9	GW-9243	1	S	KEY -ignition, one pair
10	GW-9565	2		BOLT - carriage, 1/4"-20 x 1-1/2", hold-down clamp to bracket
11	GW-9910	2	S	LOCKWASHER - spring lock 1/4"
12	GW-9800	2	S	NUT - hex., 1/4"-20
13	GW-9092B	1	S	BATTERY - 12 volt, 30 amperes, side-vented. Comes with Part #9009 vent tube. IMPORTANT: For Tiller Serial Nos. 685484 & Below, contact Technical Service 9123, Department regarding special battery replacement kit before ordering battery; Replaces 94878
14	GW-1959	1	/P	SOLENOID - starter, includes all washers and nuts (Ref. No's. 15, 16, 17 & 18) for cables and wires; Replaces 9127
15	GW-9912	2	S	LOCKWASHER-springlock, 5/16", solenoid left and right posts
16	GW-9826	2	S	NUT - hex., 5/16"-24, solenoid left and right posts
17	GW-9921	1	S	LOCKWASHER-external tooth, #10, solenoid center post
18	GW-9809	1	S	NUT - hex., 10-32, center post on solenoid
19	GW-9223	1		CABLE - solenoid to starter motor
20	GW-2182	1		BATTERY BRACKET- introduced on Tiller Serial #648406. Use with 52241 clamp; Replaces 1169
21	GW-9558	2		BOLT - hex. hd., 3/8"-16 x 1-1/2", bracket to transmission cover Replaces 9713

HORSE III 6HP ROTO TILLER (S/N 640000-855638)
Electric Start System - 6HP, 7HP, & 8HP Tillers

Page 7 of 25

Ref #	Part Number	Qty	S/P/F	Description
22	GW-9913	2	S	LOCKWASHER - springlock, 3/8"
23	GW-9265	1	/P	TIE- twist, red plastic, wire retaining
24	GW-9009	1	/P	VENT TUBE - 5/16" dia.
25	GW-1475	1		SHIELD - vent tube, 1/2" dia.
26	GW-9224	1		CLAMP- vent tube shield
27	GW-9202	1	S	TIE -red plastic
28	GW-1552	1		WIRE HARNESS - for Tecumseh and Kohler engines; Includes two receptacles; three red wires (solenoid activate, battery recharge, and starter switch); one green (shutoff) wire; plastic harness tube
29	GW-9218	1	/P	CLIP-metal, supports recharging wire on Tecumseh engine
30		1		FUSE - 6 Amperes, 3 AGC, for Tecumseh engine (earlier models only). Available locally or from Garden Way (Tecumseh x 29561)
31		1		DIODE - battery recharging for Tecumseh engine. For authorized service dealer replacement (Tecumseh #610935)
32	GW-9910	1	S	LOCKWASHER-springlock, 1/4", for Tecumseh and Kohler engines
33	GW-9800	1	S	NUT - hex., 1/4"-20 For all engines
34	GW-20424	1		WIRE HARNESS - for Briggs and Stratton engine. Complete assembly only.; Includes key switch receptacle with two red wires (with eyelets), one green wire, plastic harness tube. Order red recharging wire (Ref. No. 35) separately, if needed
35	GW-1554	1	S	WIRE-recharge (red), for Briggs & Stratton engine. Includes terminal and eyelet
36	GW-9266	A/R	S	TIE - plastic, reusable
37		1		LOCKWASHER - internal tooth, 1/4" Comes with engine-not avail. from Garden Way

HORSE III 6HP ROTO TILLER (S/N 640000-855638)
Forward/Neutral/Reverse Lever & Yoke Assembly

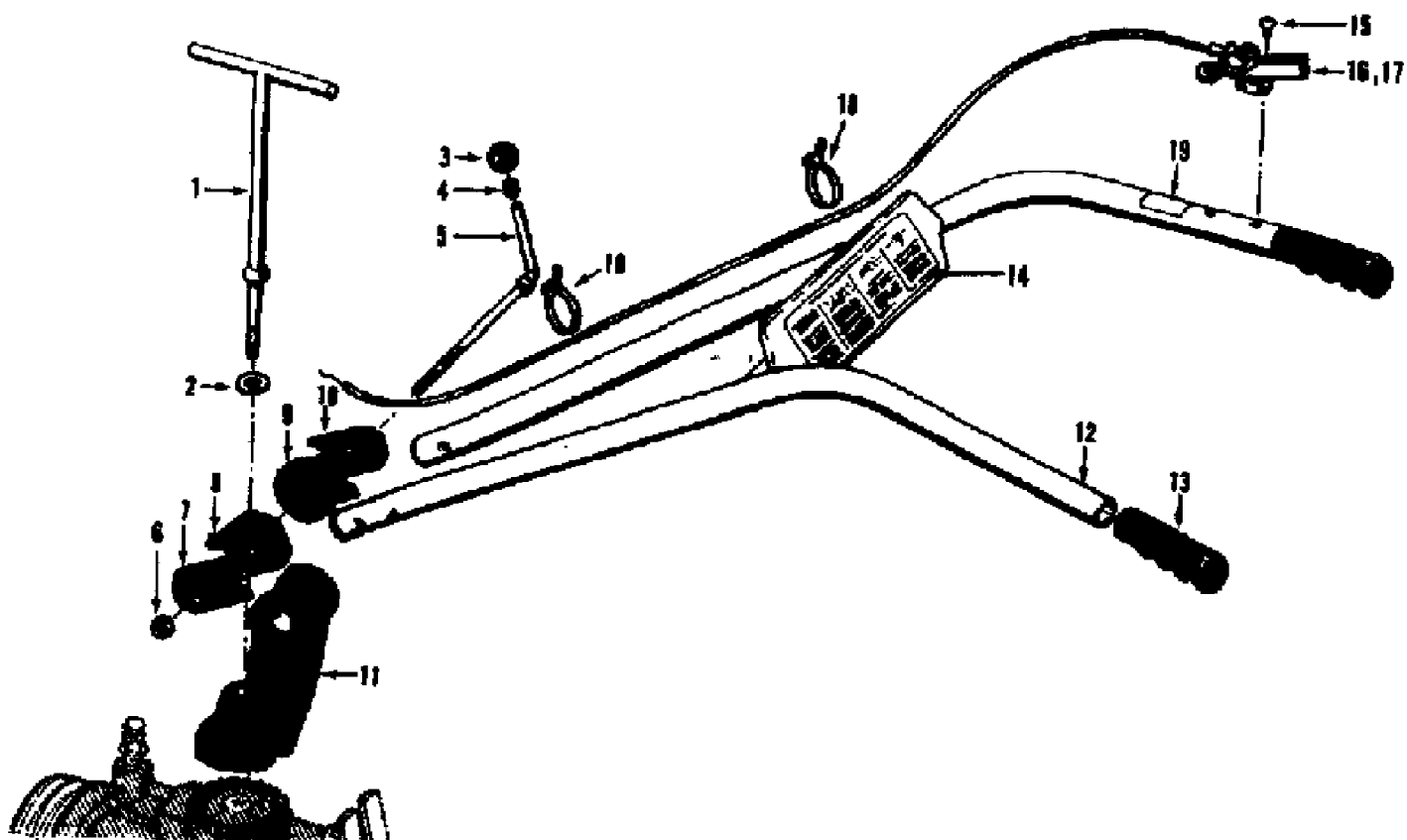


HORSE III 6HP ROTO TILLER (S/N 640000-855638)
Forward/Neutral/Reverse Lever & Yoke Assembly

Page 9 of 25

Ref #	Part Number	Qty	S/P/F	Description
1	GW-2176	1	S	LEVER - forward/neutral/reverse Includes plastic knob with plastic decal inlay. Lever and knob available as complete assembly only
2	GW-2163	1	S	SPRING - clutch pawl
3	GW-9466	3	S	BOLT - hex. hd., 5/16"-18 x 1-1/2"
4	GW-2447	3	/P	BUSHING - 3/8" long Replaces 2160
5	GW-9931	3	S	LOCKWASHER - external tooth, 5/16"
6	GW-9801	3	S	NUT - hex., 5/16"-18
7	GW-2162	1	S	ROLLER ASSEMBLY -forward/neutral/reverse shift lever
8	GW-2165-1	1	S	YOKE - left side
9	GW-2165-2	1	S	YOKE - right side
10	GW-2164	2	S	LINK- yoke pivot, left and right, & 7/8" long
11	GW-9710	6	S	BOLT - hex. hd., 3/8"-18 x 1"
12	GW-9913	6	S	LOCKWASHER - spring lock, 3/8"
13	GW-9904	6	S	WASHER - flat, 3/8", S.A.E
14	GW-2146	2	/P	BUSHING - spacer, 21/64"(.325") long, yoke to engine mount
15	GW-9802	2	S	NUT - hex., 3/8"-16
16	GW-1113-1	4	S	BUSHING - spacer, 19/64" (.300") long, yoke link
17		1		KNOB - plastic knob not available separately due to special procedure required to attach knob to lever

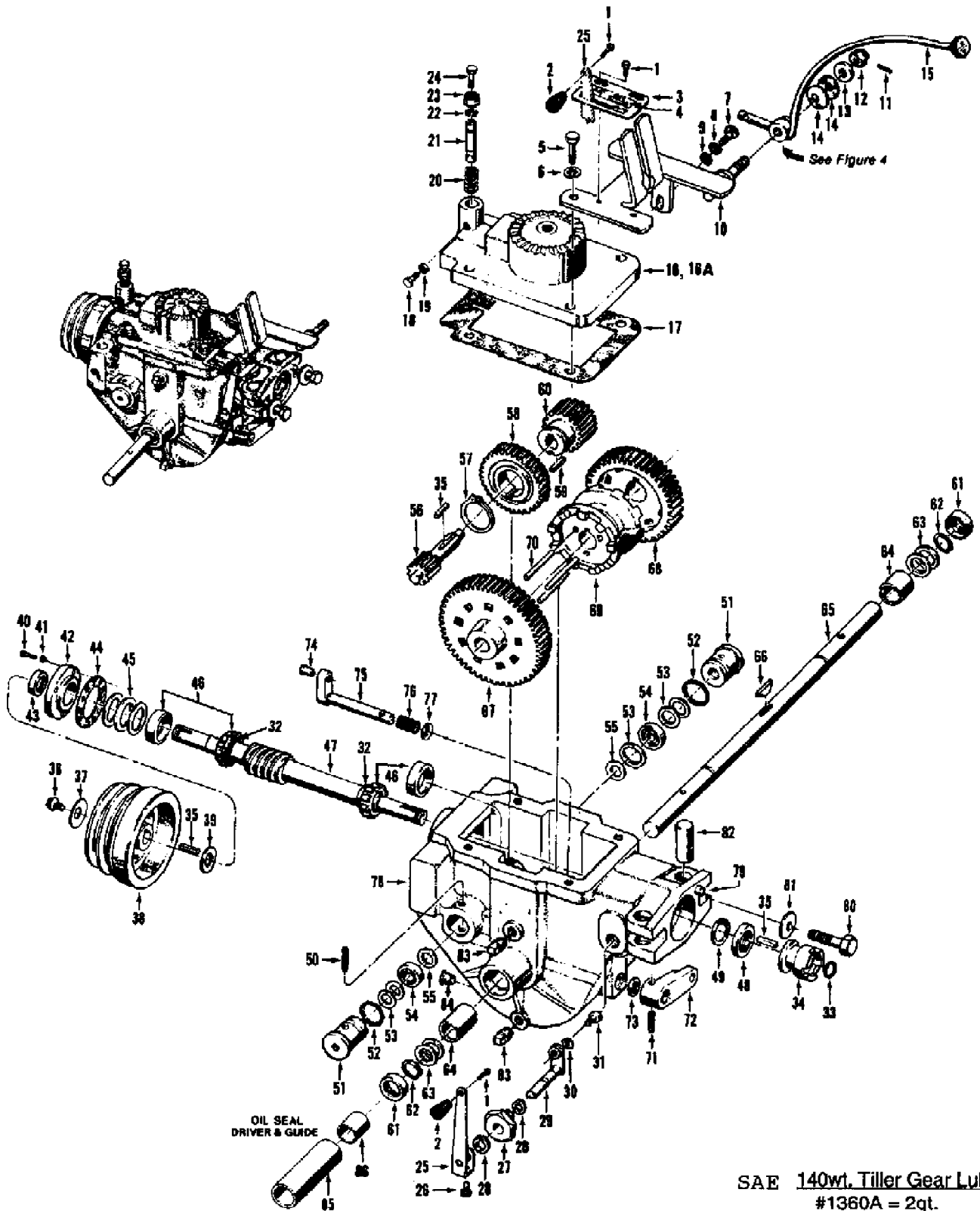
HORSE III 6HP ROTO TILLER (S/N 640000-855638)
Handlebar Assembly



HORSE III 6HP ROTO TILLER (S/N 640000-855638)
Handlebar Assembly

Page 11 of 25

Ref #	Part Number	Qty	S/P/F	Description
1	GW-1167	1		CLAMP-T-bar, handlebar mounting For recoil or electric start models
2	GW-9915	1	S	LOCKWASHER-spring lock 5/8"
3	GW-9119	1	/P	KNOB -handlebar height adjustment
4	GW-9120	1	/P	RING- retaining (tolerance ring)
5	GW-1881	1	/P	STUD - handlebar height adjustment Includes #9119 knob (Ref. #3) and #9803 nut (Ref. #6)
6	GW-9803	1	S	NUT- hex., 1/2"-13
7	GW-1021-1	1	S	CLAMP- handlebar height adjustment, left
8	GW-1020-1	1	S	RATCHET- handlebar height adjustment, left
9	GW-1020-2	1	S	RATCHET- handlebar height adjustment, right
10	GW-1021-2	1	S	CLAMP - handlebar height adjustment, right
11	GW-1019	1		BASE- handlebar mounting
12	GW-2214	1		HANDLEBAR AND PANEL ASSEMBLY (Includes Ref. No. 14, #2230 Decal, and two Ref. No. 13, #9118 Grip)
13	GW-9118	2	S	GRIP-handlebar
14	GW-2412	2	/P	DECAL- power unit operating instructions
15	GW-9733	2	/P	SCREW - pan hot., #10-32 x 1/2", self-tapping
16	GW-9015	1		THROTTLE LEVER AND CABLE ASSEMBLY - for 6 HP Tecumseh, 7 HP Kohler and 8 HP Briggs & Stratton engines. Does not include Ref. No. 15, #9733 Screw or Ref. No.18, 89116 Clip; Replaces 9240
	GW-9967	1		THROTTLE LEVER AND CABLE ASSEMBLY - For use with the 7 HP Tecumseh engine only
17	GW-9033	1		THROTTLE LEVER AND CABLE ASSEMBLY - for 8 HP Kohler engine. Does not include Ref. No. 15, #97333 screw or Ref. No. 18, #9116 Clip
18	GW-9202	2	S	TIE - plastic Secures throttle cable Replaces 9116
19	GW-2449	1		DECAL- throttle operation For Tecumseh and Kohler model engines only



HORSE III 6HP ROTO TILLER (S/N 640000-855638)
Power Unit Transmission Assemblies

Page 13 of 25

Ref #	Part Number	Qty	S/P/F	Description
1	GW-9782	3	S	BOLT - hex. hd., #10-32 x 3/8", self locking flange TRANSMISSION COVER & SHIFT LEVER BRACKET ASSEMBLIES
2	GW-9463	1	/P	KNOB - tines/P.T.O. clutch lever, tapered, plastic TRANSMISSION COVER & SHIFT LEVER BRACKET ASSEMBLIES
3	GW-2263	1	/P	DETENT PLATE - tines/P.T.O. clutch lever Includes #2139 operating decal (Ref. #4); TRANSMISSION COVER & SHIFT LEVER BRACKET ASSEMBLIES
4	GW-2139	1	S	DECAL - operating instructions, detent plate TRANSMISSION COVER & SHIFT LEVER BRACKET ASSEMBLIES
5	GW-9558	4		BOLT - hex hd., 3/8"-16 x 1-1/2", transmission cover Replaces 9713; TRANSMISSION COVER & SHIFT LEVER BRACKET ASSEMBLIES
6	GW-9913	4	S	LOCKWASHER-springlock, 3/8" TRANSMISSION COVER & SHIFT LEVER BRACKET ASSEMBLIES
7	GW-9575	1	S	BOLT- hex. hd., 5/16"-18 x 3/4", Grade 5, lever bracket to housing TRANSMISSION COVER & SHIFT LEVER BRACKET ASSEMBLIES
8	GW-9912	1	S	LOCKWASHER - spring lock, 5/16" TRANSMISSION COVER & SHIFT LEVER BRACKET ASSEMBLIES
9	GW-9902	1	S	WASHER - flat, 5/16", S.A.E TRANSMISSION COVER & SHIFT LEVER BRACKET ASSEMBLIES
10	GW-2149	1	S	BRACKET- shift levers TRANSMISSION COVER & SHIFT LEVER BRACKET ASSEMBLIES
11	GW-9362	1	/P	PIN - spring, 1/8" diameter TRANSMISSION COVER & SHIFT LEVER BRACKET ASSEMBLIES
12	GW-9838	1		NUT-castle (slotted), 1/2"-20 Call Technical Service Department for tightening Instructions; TRANSMISSION COVER & SHIFT LEVER BRACKET ASSEMBLIES
13	GW-9934	1	/P	WASHER - shoulder, 1/2" (shoulder faces disc washers) TRANSMISSION COVER & SHIFT LEVER BRACKET ASSEMBLIES
14	GW-9932	2	/P	WASHER - disc spring (concave surfaces face each other) TRANSMISSION COVER & SHIFT LEVER BRACKET ASSEMBLIES

HORSE III 6HP ROTO TILLER (S/N 640000-855638)
Power Unit Transmission Assemblies

Page 14 of 25

Ref #	Part Number	Qty	S/P/F	Description
15		1		LEVER - wheel speed shift Shown for reference only; TRANSMISSION COVER & SHIFT LEVER BRACKET ASSEMBLIES
16	GW-1103	1		COVER- power unit transmission housing TRANSMISSION COVER & SHIFT LEVER BRACKET ASSEMBLIES
16A	GW-1508	1	S	COVER - power unit transmission housing Completely assembled with neutral spring assembly parts (Ref. #'s 18,19,20, 21,22, 23 and 24); TRANSMISSION COVER & SHIFT LEVER BRACKET ASSEMBLIES
17	GW-1123	1	/P	GASKET- transmission cover TRANSMISSION COVER & SHIFT LEVER BRACKET ASSEMBLIES
18	GW-9751	1	S	BOLT - hex. hd., 5/16"-18 x 1", Grade 5 Retains neutral plunger (REMOVE WITH CARE). See Ref. #'s 20 & 21; TRANSMISSION COVER & SHIFT LEVER BRACKET ASSEMBLIES
19	GW-9801	1	S	NUT- hex., 5/16"-18 TRANSMISSION COVER & SHIFT LEVER BRACKET ASSEMBLIES
20	GW-1496	1	S	SPRING- neutral plunger (REMOVE WITH CARE) TRANSMISSION COVER & SHIFT LEVER BRACKET ASSEMBLIES
21	GW-1035	1	/P	PLUNGER -neutral (REMOVE WITH CARE) Includes #9504 clip ring (Ref. #22); TRANSMISSION COVER & SHIFT LEVER BRACKET ASSEMBLIES
22	GW-9504	1	S	CUP RING - retains neutral plunger TRANSMISSION COVER & SHIFT LEVER BRACKET ASSEMBLIES
23	GW-9831	1	S	NUT- hex., flange locknut, 3/8"-16 TRANSMISSION COVER & SHIFT LEVER BRACKET ASSEMBLIES
24	GW-9558	1		BOLT- hex. hd., 3/8"-16 x 1-1/2", threaded full length TRANSMISSION COVER & SHIFT LEVER BRACKET ASSEMBLIES
25	GW-2122	1	S	LEVER - eccentric, tines/P.T.O. clutch TINES/P.T.O. CLUTCH LEVER ASSEMBLY; (Also see Ref. #'s 1, 2, 3 and 4 listed above.)
26	GW-9743	1	S	BOLT - hex. hd., 1/4"-20 x 1/2" TINES/P.T.O. CLUTCH LEVER ASSEMBLY
27	GW-2123	1	S	BUSHING -tines/P.T.O. clutch lever eccentric shaft TINES/P.T.O. CLUTCH LEVER ASSEMBLY

HORSE III 6HP ROTO TILLER (S/N 640000-855638)
Power Unit Transmission Assemblies

Page 15 of 25

Ref #	Part Number	Qty	S/P/F	Description
28	GW-9516	2	/P	RETAINING RING - (snap ring), external TINES/P.T.O. CLUTCH LEVER ASSEMBLY
29	GW-2130	1	S	ECCENTRIC - shaft, tines/P.T.O. clutch lever TINES/P.T.O. CLUTCH LEVER ASSEMBLY
30	GW-9911	1	/P	LOCKWASHER- Hi-collar, 1/4" TINES/P.T.O. CLUTCH LEVER ASSEMBLY
31	GW-9672	1	S	SCREW - socket hd., 1/4"-20 x 3/8" For use with Tiller Serial Nos. 771566 & Above.; TINES/P.T.O. CLUTCH LEVER ASSEMBLY
32	GW-50043	2	S	WASHER- shoulder (drive shaft) DRIVE SHAFT ASSEMBLY
33	GW-9500	1	S	RETAINING RING -(snap ring), external Retains dog clutch to drive shaft; DRIVE SHAFT ASSEMBLY
34	GW-21203	1		DOG CLUTCH - power unit Replaces 2120-2; For use with Tiller Serial Nos. 771566 & Above. For Serial Nos. 771565 & Below order #2120-2 dog clutch; DRIVE SHAFT ASSEMBLY
35	GW-9301	3	S	KEY - 3/16" square x 1" (used on drive shaft and pinion shaft); DRIVE SHAFT ASSEMBLY
36	GW-9655	1	S	BOLT - hex. hd., 5/16"-24 x 3/4", self-locking flange, Grade 5 Replaces 9799; DRIVE SHAFT ASSEMBLY
37	GW-9944	1	S	WASHER - disc spring (concave). Domed side of washer faces bolt head DRIVE SHAFT ASSEMBLY
38	GW-2107	1	/P	PULLEY - transmission drive, cast iron DRIVE SHAFT ASSEMBLY
39	GW-50027	1	/P	WASHER-flat, hardened shoulder, 1-1/4" DRIVE SHAFT ASSEMBLY
40	GW-9701	3	S	BOLT- hex. hd., 1/4"-20 x 3/4", front bearing cap DRIVE SHAFT ASSEMBLY
41	GW-9910	3	S	LOCKWASHER-springlock, 1/4" DRIVE SHAFT ASSEMBLY
42	GW-2424	1	S	CAP - front bearing Replaces 1114; DRIVE SHAFT ASSEMBLY
43	GW-9600	1	S	SEAL-oil front bearing cap DRIVE SHAFT ASSEMBLY
44	GW-1124-2	1	S	GASKET- front bearing cap DRIVE SHAFT ASSEMBLY
45	GW-1224-1	A/R	S	SHIM - front bearing cap, .010" thick DRIVE SHAFT ASSEMBLY

HORSE III 6HP ROTO TILLER (S/N 640000-855638)
Power Unit Transmission Assemblies

Page 16 of 25

Ref #	Part Number	Qty	S/P/F	Description
45	GW-1224-2	A/R	S	SHIM - same as above, .030" thick DRIVE SHAFT ASSEMBLY
45	GW-1224-3	A/R	S	SHIM - same as above, .005" thick DRIVE SHAFT ASSEMBLY
45	GW-1224-4	A/R	S	SHIM- same as above, .062" thick DRIVE SHAFT ASSEMBLY
46	GW-1714	2	S	BEARING & CUP - tapered cone roller bearing with cup (race). Cone and cup sold as set only DRIVE SHAFT ASSEMBLY
47	GW-1985	1		SHAFT - main drive, power unit Includes welded-on worm, two pressed-on cone roller bearings, two bearing cups, and two shoulder washers; DRIVE SHAFT ASSEMBLY
48	GW-9617	1	S	SEAL - oil, drive shaft, rear DRIVE SHAFT ASSEMBLY
49	GW-9517	1	S	RETAINING RING -(snap ring), internal. Retains rear bearing cup DRIVE SHAFT ASSEMBLY
50	GW-9309	2	S	PIN-roll (spirol, 1/4" x 2", retains #1060A plug (Ref.#51) PINION SHAFT ASSEMBLY
51	GW-1060A	2	/P	PLUG-retaining, pinion bearing Includes #98040 - Ring (Ref. #52); PINION SHAFT ASSEMBLY
52	GW-9604	2	/P	O-RING - retaining plug PINION SHAFT ASSEMBLY
53	GW-1132-1	A/R	/P	SHIM - retaining plug, 1-1/64" inner dia., .033" thick. Note: On right side only, one #1132-1 shim is also used between bearing and washer (Ref #'s 54 & 55); PINION SHAFT ASSEMBLY
53	GW-1132-2	A/R	/P	SHIM- same as above, .062" thick PINION SHAFT ASSEMBLY
53	GW-1132-3	A/R	/P	SHIM - same as above, .010" thick PINION SHAFT ASSEMBLY
54	GW-9404	2	/P	BEARING - ball, pinion shaft PINION SHAFT ASSEMBLY
55	GW-1126	2	/P	WASHER - pinion shaft One used on left and right sides.; PINION SHAFT ASSEMBLY
56	GW-1222	1	/P	STEM PINION - slow speed gear and shaft (drives slow speed wheel gear) PINION SHAFT ASSEMBLY
57	GW-9502	1	/P	RETAINING RING - (snap ring), external. Retains high speed pinion gear to bronze worm gear PINION SHAFT ASSEMBLY

HORSE III 6HP ROTO TILLER (S/N 640000-855638)
Power Unit Transmission Assemblies

Page 17 of 25

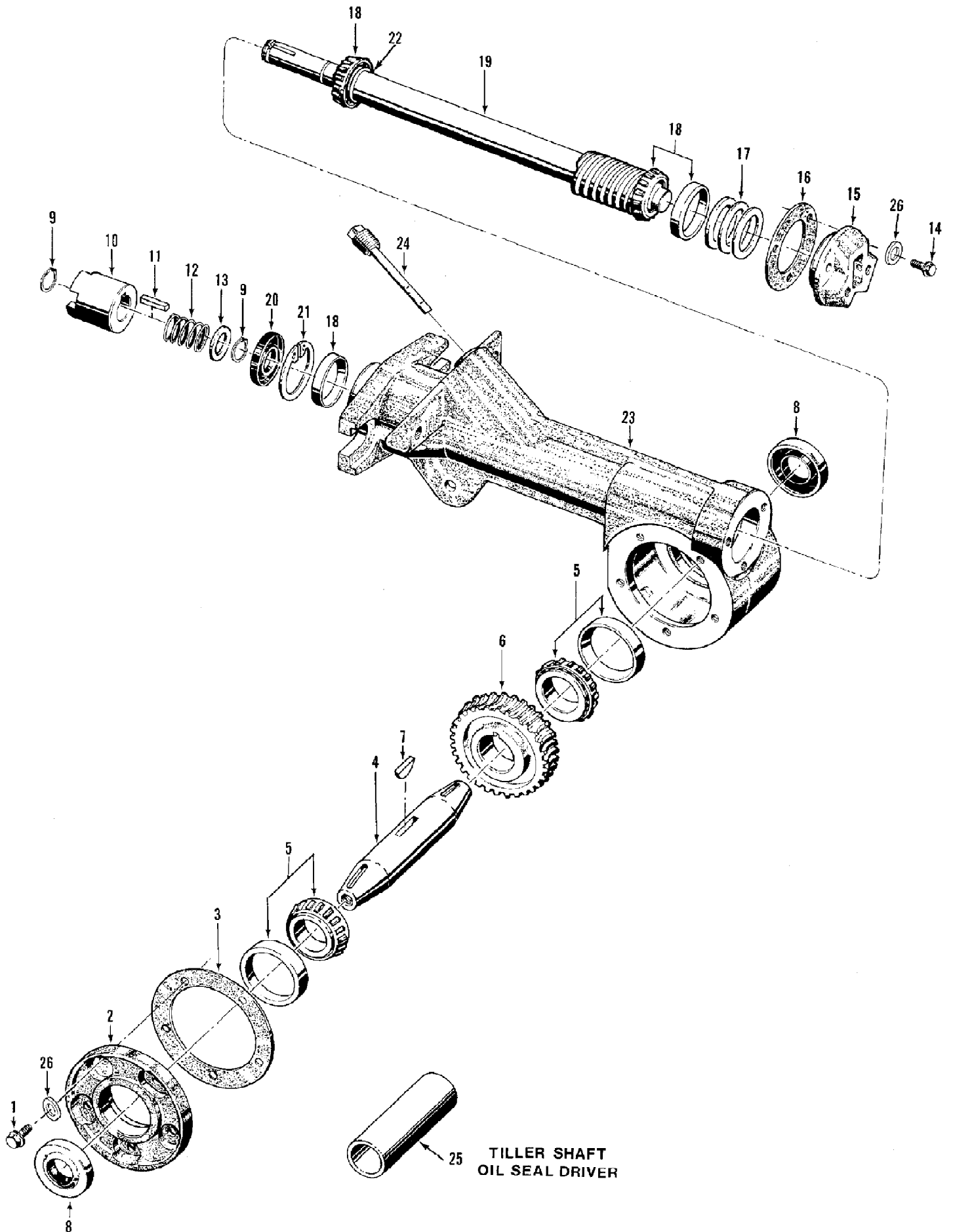
Ref #	Part Number	Qty	S/P/F	Description
58	GW-1221	1		WORM GEAR - bronze, wheel drive. Driven by worm on drive shaft PINION SHAFT ASSEMBLY
59	GW-9300	1	/P	KEY-3/16" square x 5/8" Connects fast speed pinion gear to bronze worn gear PINION SHAFT ASSEMBLY
60	GW-1233	1	/P	GEAR- fast speed pinion (drives fast speed wheel gear) PINION SHAFT ASSEMBLY
61	GW-9609	2	S	SEAL-oil, wheel shaft WHEEL SHAFT ASSEMBLY
62	GW-9511	2	S	RETAINING RING-(snapping), external. Retains wheel shaft inside bore WHEEL SHAFT ASSEMBLY
63	GW-1166-1	A/R	S	SHIM- wheel shaft, 1-1/64" inner dia, .062" thick WHEEL SHAFT ASSEMBLY
63	GW-1166-2	A/R	/P	SHIM - same as above, .030" thick WHEEL SHAFT ASSEMBLY
63	GW-1166-3	A/R	/P	SHIM - same as above, .015" thick WHEEL SHAFT ASSEMBLY
63	GW-1166-4	A/R	S	SHIM - same as above, .010" thick WHEEL SHAFT ASSEMBLY
63	GW-1166-5	A/R	S	SHIM -same as above, .005" thick WHEEL SHAFT ASSEMBLY
64	GW-1086	2	S	BUSHING-bronze, wheel shaft bearing WHEEL SHAFT ASSEMBLY
65	GW-1878	1	/P	SHAFT - wheel, 15-5/8" Includes #9357 key (Ref. #66) and two #9511 retaining rings (Ref. #62); WHEEL SHAFT ASSEMBLY
66	GW-9357	1	S	KEY- Hi Pro, 1/4" x 1 3/4" Connects wheel shaft to clutch WHEEL SHAFT ASSEMBLY
67	GW-1223	1	/P	GEAR- slow speed, wheel drive WHEEL SHAFT ASSEMBLY
68	GW-1232	1	/P	GEAR- fast speed, wheel drive WHEEL SHAFT ASSEMBLY
69	GW-1237	1	/P	DOG CLUTCH - wheel drive. Clutch drives either slow or fast wheel drive gears according to wheel speed shift lever gear selection WHEEL SHAFT ASSEMBLY
70	GW-1112	3	/P	PIN - clutch guide, 1/4" diameter WHEEL SHAFT ASSEMBLY
71	GW-9307	1	S	PIN-roll (spiral), 3/16" x 1-1/4". Retains eccentric lever to eccentric shaft ECCENTRIC SHAFT ASSEMBLY

HORSE III 6HP ROTO TILLER (S/N 640000-855638)
Power Unit Transmission Assemblies

Page 18 of 25

Ref #	Part Number	Qty	S/P/F	Description
72	GW-1029	1	S	LEVER- eccentric, wheel speed shifting ECCENTRIC SHAFT ASSEMBLY
73	GW-9622	1	S	SEAL -oil, eccentric shaft Replaces 9611; ECCENTRIC SHAFT ASSEMBLY
74	GW-1442	1	S	PIN - eccentric shaft, wheel speed shifting ECCENTRIC SHAFT ASSEMBLY
75	GW-1568	1	S	ECCENTRIC SHAFT- wheel speed shifting ECCENTRIC SHAFT ASSEMBLY
76	GW-1441	1	/P	SPRING - eccentric shaft ECCENTRIC SHAFT ASSEMBLY
77	GW-1440	1	S	WASHER- eccentric shaft ECCENTRIC SHAFT ASSEMBLY
78	GW-2260	1	S	HOUSING - power unit transmission Includes #9359 alignment pin (Ref. #79); TRANSMISSION HOUSING; Empty housing without covers, shafts, gears, seals, etc. Call Factory Technical Service Dept before ordering; TRANSMISSION HOUSING
79	GW-9359	1	/P	PIN -alignment (aligns power unit housing with tiller attachment housing) TRANSMISSION HOUSING
80	GW-9660	2		BOLT-hex. hd., 1/2"-13 x 2", Grade 5. Connects power unit and tiller attachment housings MISCELLANEOUS PARTS
81	GW-9928	2	/P	WASHER-disc spring (concave). Dome side of washer faces bolt head MISCELLANEOUS PARTS
82	GW-2126	2		POST- with threaded hole for #9560 bolt (Ref. #60); MISCELLANEOUS PARTS
83	GW-9726	2	S	PLUG - pipe, 1/4". Oil level check plug and oil drain plug MISCELLANEOUS PARTS
84	GW-9122	1	/P	PLUG - red plastic, thread protector MISCELLANEOUS PARTS
85	GW-4921-1	1		OIL SEAL DRIVER - for wheel shaft oil seals (use with Part #4921-2 Driver Guide); MISCELLANEOUS PARTS
86	GW-4921-2	1		OIL SEAL DRIVER GUIDE - for wheel shaft oil seals (use with Part #4921-1 Seal Driver); MISCELLANEOUS PARTS

HORSE III 6HP ROTO TILLER (S/N 640000-855638)
Tiller Attachment Transmission Assemblies



HORSE III 6HP ROTO TILLER (S/N 640000-855638)
Tiller Attachment Transmission Assemblies

Page 20 of 25

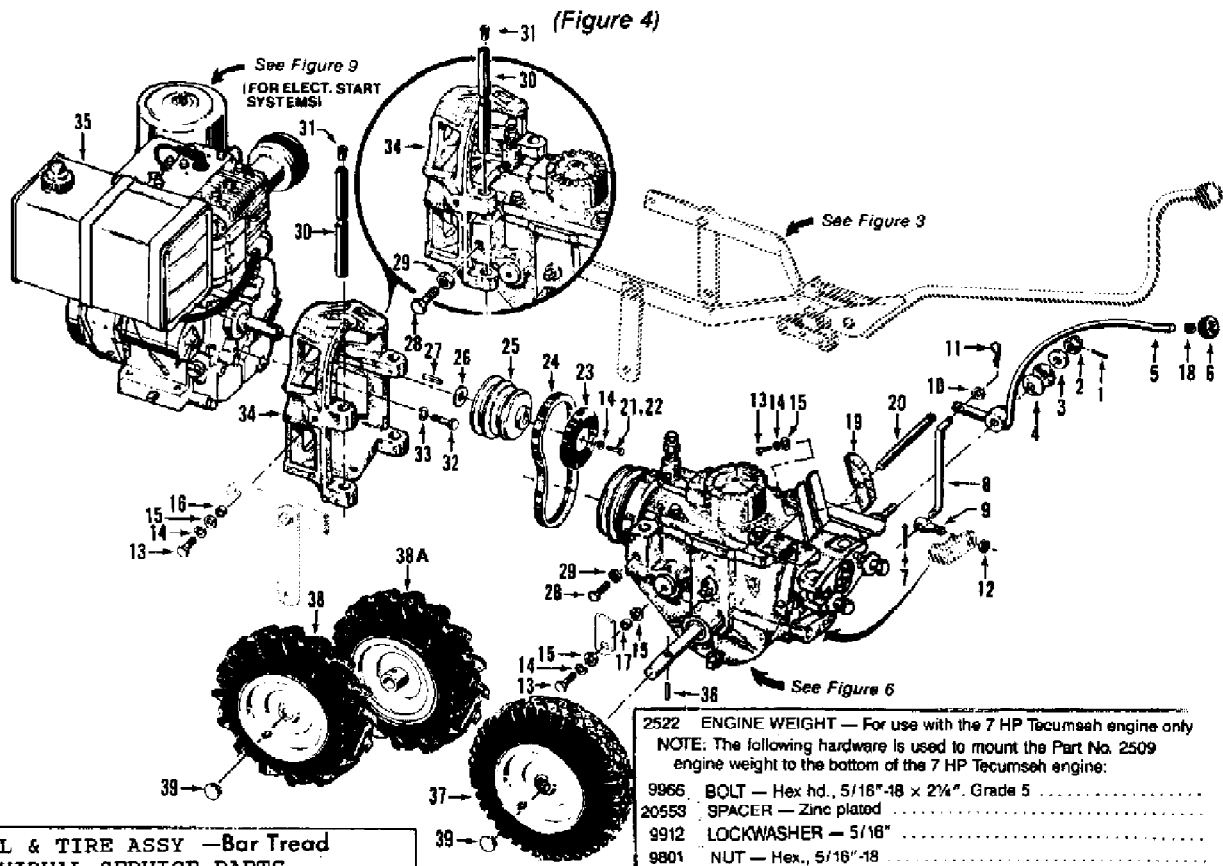
Ref #	Part Number	Qty	S/P/F	Description
1	GW-9780	5	S	BOLT - hex. hd., 1/4"-20 x 5/8", self-locking flange TILLER TINE SHAFT ASSEMBLY
2	GW-2451	1	S	COVER- tiller housing Includes five #9780 bolts (Ref.No.1); TILLER TINE SHAFT ASSEMBLY
3	GW-1129-1	1	S	GASKET- tiller housing cover, .010" thick TILLER TINE SHAFT ASSEMBLY A/R
3	GW-1129-2	1	S	GASKET- same as above, .030" thick TILLER TINE SHAFT ASSEMBLY A/R
4	GW-1026A	1	/P	SHAFT-tiller tine Includes #1104 key(Ref. #7); TILLER TINE SHAFT ASSEMBLY
5	GW-11522	2		BEARING & CUP - tapered cone roller bearing with cup (race). Cone and cup sold as set only TILLER TINE SHAFT ASSEMBLY includes 741-3050 cup and 741-3051 cone. Use with GW-11527
6	GW-1064	1	S	WORM GEAR-bronze, tiller tine shaft. Driven by worm on tiller driven shaft TILLER TINE SHAFT ASSEMBLY Use GW-11527
6	GW-11527	1	/P	Kit-Tiller Gear, Cones & Cups. TILLER TINE SHAFT ASSEMBLY includes two 741-3050 cups and two 741-3051 cones. Use with GW-11522
7	GW-1104	1	/P	KEY - tiller tine shaft. Woodruff key with ends ground TILLER TINE SHAFT ASSEMBLY
8	GW-9618	2	S	SEAL-oil, tiller tine shaft Replaces 9616; TILLER TINE SHAFT ASSEMBLY
9	GW-9500	2	S	RETAINING RING -(snapping),external. Retains dog clutch to shaft TILLER DRIVE SHAFT ASSEMBLY
10	GW-2120-1	1	S	DOG CLUTCH - tiller drive shaft TILLER DRIVE SHAFT ASSEMBLY
11	GW-9301	1	S	KEY-3/16" square X 1",dog clutch to tiller driveshaft TILLER DRIVE SHAFT ASSEMBLY
12	GW-2127	1	/P	SPRING - dog clutch TILLER DRIVE SHAFT ASSEMBLY
13	GW-1138-1	1	S	SHIM - dog clutch, 1/16" (.062") thick TILLER DRIVE SHAFT ASSEMBLY
14	GW-9773	3	S	BOLT - hex. hd., 1/4"-20 x 7/8", self locking flange TILLER DRIVE SHAFT ASSEMBLY
15	GW-1115	1	S	CAP -rear bearing TILLER DRIVE SHAFT ASSEMBLY

HORSE III 6HP ROTO TILLER (S/N 640000-855638)
Tiller Attachment Transmission Assemblies

Page 21 of 25

Ref #	Part Number	Qty	S/P/F	Description
16	GW-1124-2	1	S	GASKET -rear bearing cap TILLER DRIVE SHAFT ASSEMBLY
17	GW-1224-1	1	S	SHIM - front bearing cap, .010" thick TILLER DRIVE SHAFT ASSEMBLY A/R
17	GW-1224-2	1	S	SHIM - same as above, .030" thick TILLER DRIVE SHAFT ASSEMBLY A/R
17	GW-1224-3	1	S	SHIM - same as above, .005" thick TILLER DRIVE SHAFT ASSEMBLY A/R
17	GW-1224-4	1	S	SHIM - same as above, .062" thick TILLER DRIVE SHAFT ASSEMBLY A/R
18	GW-1714	2	S	BEARING & CUP - tapered cone roller bearing with cup (race). Cone and cup sold as set only TILLER DRIVE SHAFT ASSEMBLY
19	GW-1986	1		SHAFT- main tiller drive ; TILLER DRIVE SHAFT ASSEMBLY Includes welded-on worm gear, two pressed-on cone roller bearings, two bearing cups (Ref.#18) and one shoulder washer .766 X 1.0
20	GW-9617	1	S	SEAL- oil, drive shaft, front TILLER DRIVE SHAFT ASSEMBLY
21	GW-9517	1	S	RETAINING RING -(snapping),internal. Retains front bearing cup TILLER DRIVE SHAFT ASSEMBLY
22	GW-50043	1	S	WASHER - shoulder (drive shaft) TILLER DRIVE SHAFT ASSEMBLY
23	GW-2206	1		HOUSING - tiller attachment TRANSMISSION HOUSING AND DIPSTICK Includes pressed-on sleeve in front of housing and one tine shaft bearing cone 741-3051 & cup 741-3050 mounted in right side of housing.
24	GW-2136	1		DIPSTICK- oil level, tiller attachment TRANSMISSION HOUSING AND DIPSTICK
25	N/A	1		OIL SEAL DRIVER - for tiller shaft oil seals Purchase locally
26	GW-9945	8		WASHER-1/4",plastic MISCELLANEOUS PARTS
	737-04040	1	/P	Transmission Oil, Gear. Quart

HORSE III 6HP ROTO TILLER (S/N 640000-855638)
 Wheel Speed Lever, Belt Drive System, Engines, Wheels



WHEEL & TIRE ASSY -Bar Tread
INDIVIDUAL SERVICE PARTS
 # 1234-1 - TIRE ONLY
 # 2708 - WHEEL RIM ONLY (GREY)

2522	ENGINE WEIGHT — For use with the 7 HP Tecumseh engine only	1
NOTE: The following hardware is used to mount the Part No. 2509 engine weight to the bottom of the 7 HP Tecumseh engine:		
9966	BOLT — Hex hd., 5/16" x 2 1/4", Grade 5	2
20553	SPACER — Zinc plated	2
9912	LOCKWASHER — 5/16"	2
9801	NUT — Hex., 5/16" x 18	2

HORSE III 6HP ROTO TILLER (S/N 640000-855638)
Wheel Speed Lever, Belt Drive System, Engines, Wheels

Page 23 of 25

Ref #	Part Number	Qty	S/P/F	Description
1	GW-9362	1	/P	PIN - spring, 1/8" dia., retains castle nut to threaded stud
2	GW-9838	1		NUT-castle (slotted), 1/2"-20.
3	GW-9934	1	/P	WASHER- shoulder, 1/2" (shoulder faces disc washers)
4	GW-9932	2	/P	WASHER- disc spring (concave surfaces face each other)
5	GW-2261	1	S	LEVER - wheel speed shift Includes #2244 knob (Ref. #8) and 199120 retaining ring (Ref. #18)
6	GW-2244	1	S	KNOB - wheel speed shift lever Includes #9120 retaining ring (Ref. 1118) and plastic decal inlay
7	GW-9317	1	/P	PIN - cotter, 3/32" x 1"
8	GW-1231	1	/P	ROD - connecting rod, wheel speed shift lever
9	GW-1033	1	/P	SWIVEL - connecting rod
10	GW-9902	1	S	WASHER - flat, 5/16", S.A.E.
11	GW-9338	1	S	PIN - hair cotter
12	GW-9608	1		LOCKNUT-hex. hd., 5/16"-18, retains swivel to eccentric lever
13	GW-9710	5	S	BOLT - hex. hd., 3/8"-16 x 1"
14	GW-9913	6	S	LOCKWASHER - springlock, 3/8"
15	GW-9904	7	S	WASHER - flat, 3/8", S.A.E. 9903
16	GW-2146	2	/P	BUSHING - spacer, 21/64" (.325") long, yoke to engine mount
17	GW-1113-1	2	S	BUSHING - spacer, 19/64" (.300") long, yoke link to retaining plug
18	GW-9120	1	/P	RING - retaining (tolerance ring)
19	GW-1920	1	/P	BLOCK - belt adjustment, 3-7/8" long Includes mounting hardware and belt adjustment rod (Ref. #'s 13,14,15, & 20)
20	GW-2100	1	/P	ROD - belt adjustment, 7" long, with measuring gauge
21	GW-9738	1	S	BOLT - hex. hd., 3/8"-24 x 1-3/4", engine pulley
22	GW-9715	1	S	BOLT - hex. hd., 3/8"-24 x 1-1/2", engine pulley For Kohler and Briggs & Stratton Engines
23	GW-1919	1	/P	DISC-reverse, rubber rimmed Includes #1920 belt adjustment block (Ref.#19)
	GW-2111	1	S	DISC ONLY-reverse, rubber rimmed
24	GW-9245	1	/P	BELT -forward drive
25	GW-1483	1	S	PULLEY- engine P.T.O. (Power Take Off)
26	GW-1138-1	A/R	S	SHIM - engine pulley, 1/16" thick
26	GW-1138-2	A/R	S	SHIM - same as above, 1/32" thick
27	GW-9303	1	/P	KEY - engine pulley, 3/16" square x 2-1/2"

HORSE III 6HP ROTO TILLER (S/N 640000-855638)
Wheel Speed Lever, Belt Drive System, Engines, Wheels

Page 24 of 25

Ref #	Part Number	Qty	S/P/F	Description
28	GW-9751	2	S	BOLT -hex. hd., 5/16"-18 x 1", Grades. Retains engine mounting bar ENGINES AND ENGINE MOUNT
29	GW-9801	2	S	NUT -hex., 5/16"-18 (jam nut) ENGINES AND ENGINE MOUNT
30	GW-1034	2	S	BAR- engine mounting ENGINES AND ENGINE MOUNT
31	GW-9147	2	/P	PLUG - thread protector, red plastic ENGINES AND ENGINE MOUNT
32	GW-9572	4	S	BOLT- hex. hd., 5/16"-24 x 1-1/8", engine mounting ENGINES AND ENGINE MOUNT
33	GW-9912	4	S	LOCKWASHER-springlock, 5/16" ENGINES AND ENGINE MOUNT
34	GW-1960	1		MOUNT- engine to tiller Includes four #9572 mounting bolts (Ref.#32); ; ENGINES AND ENGINE MOUNT
35		1		TECUMSEH ENGINE - 6 HP, recoil start, Model HH60, Specification 105126J, solid state electronic ignition, horizontal crankshaft is turned down to 3/4" at PTO end to accept engine pulley; ENGINES AND ENGINE MOUNT
		1		TECUMSEH ENGINE - 6 HP, electric start, Model HH-60, Specification 105127J Same as Part No. 10226 engine, but with electric start.; ENGINES AND ENGINE MOUNT
		1		7 HP TECUMSEH ENGINE-Recoil start Model #HMXL700.132501; ENGINES AND ENGINE MOUNT
		1		7 HP TECUMSEH ENGINE-Electric start Model #HMXL70-132502; ENGINES AND ENGINE MOUNT
		1		KOHLER ENGINE-8 HP Magnum, recoil start Model M8T, Specification P5.301512, solid state electronic ignition, horizontal crankshaft is turned down to 3/4" at PTO end to accept engine pulley; ENGINES AND ENGINE MOUNT
		1		KOHLER ENGINE - 8 HP Magnum, electric start Model MBS, Specification PS-301513. Same as Part No. 10203 engine, but with electric start. For use with tillers already equipped with Key Switch Starting System (GRID D-13); ENGINES AND ENGINE MOUNT

HORSE III 6HP ROTO TILLER (S/N 640000-855638)
 Wheel Speed Lever, Belt Drive System, Engines, Wheels

Page 25 of 25

Ref #	Part Number	Qty	S/P/F	Description
36	GW-9322	2	S	PIN -roll (spirol, 5/16" x 1-1/2" long, wheel hub to shaft WHEEL & TIRE ASSEMBLIES
37	GW-9142	2		WHEEL & TIRE ASSEMBLY - standard tread, LEFT SIDE 4:00/4:80 x 8" tubeless tire with valve stem, mounted on single-piece steel wheel. WHEEL & TIRE ASSEMBLIES
38	GW-9143	1	S/F	WHEEL & TIRE ASSEMBLY - bar tread, LEFT SIDE 4:80 x 8" tubeless tire with valve stem, mounted on single-piece steel wheel. WHEEL & TIRE ASSEMBLIES
38A	GW-9144	1	S/F	WHEEL & TIRE ASSEMBLY - bar tread, RIGHT SIDE. Same as #9143 but for right side of tiller; WHEEL & TIRE ASSEMBLIES
39	GW-9145	2	S	CAP - wheel hub WHEEL & TIRE ASSEMBLIES