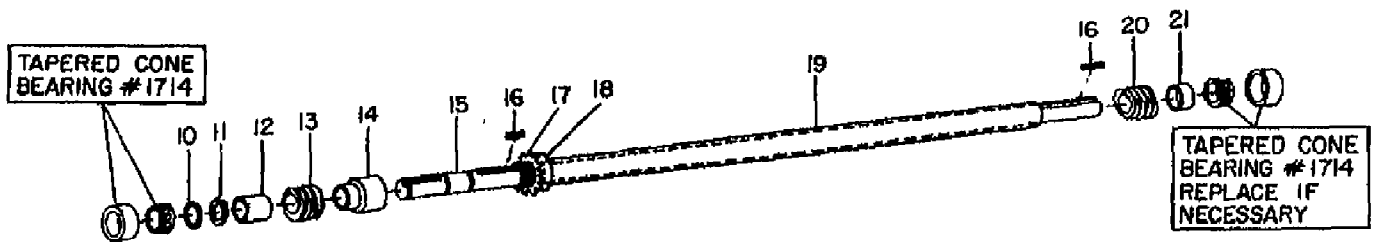
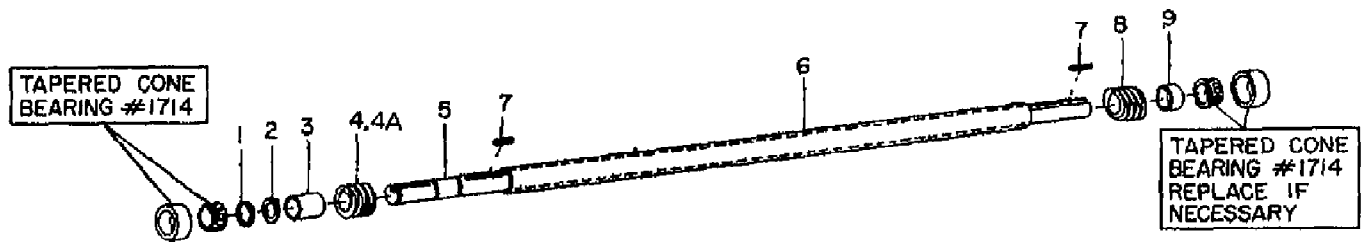


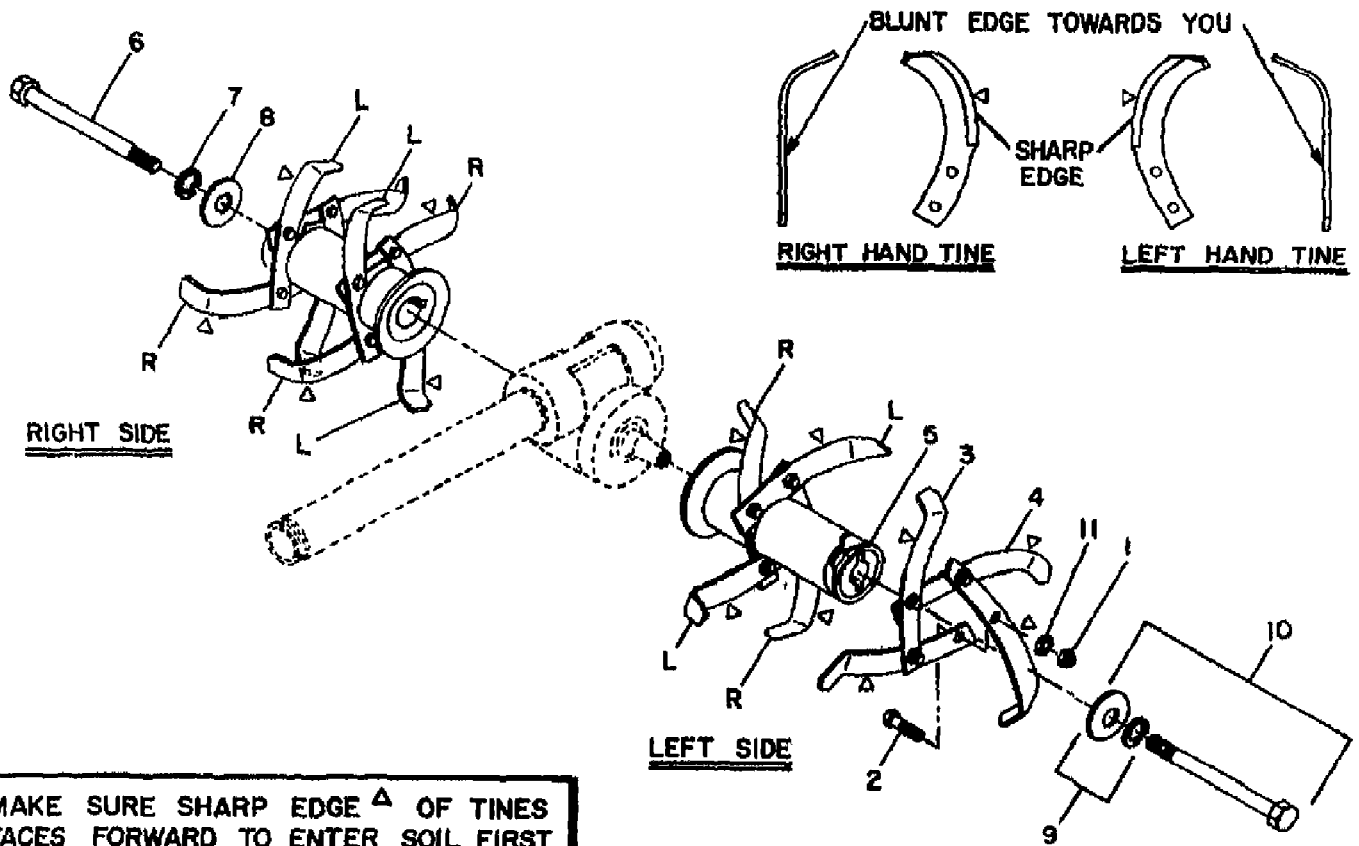
HORSE II 7HP ROTO TILLER (S/N 1001-639999)
ASSEMBLED DRIVE SHAFTS



HORSE II 7HP ROTO TILLER (S/N 1001-639999)
ASSEMBLED DRIVE SHAFTS

Page 2 of 26

Ref #	Part Number	Qty	S/P/F	Description
	1714	0	S	KIT-BRG CONE&RACE-DRIVESHAFT
1	1138-1	0	S	SHIM-1.0X.7656X.062
2	9500	0	S	RING-RETAIN EXT .707 ID
3	1065	0		SPACER-1X.76X1.25
4	1220	0		WORM-1.25 PD .26 LEAD
4A	1058	0		GEAR-WORM 1.25 PD .62 LEAD
5	1024	0		DRIVESHAFT-MACH
6	1219	0		SLEEVE-WORM SPACER
7	9301	0	S	KEY-.188 SQX1.0
8	1063	0		WORM-1.25 PD .62 LEAD
9	1066	0		SPACER-1X.76X.54
10	1138-1	0	S/F	SHIM-1.0X.7656X.062
11	9500	0	S/F	RING-RETAIN EXT .707 ID
12	1065	0	F	SPACER-1X.76X1.25
13	1058	0	F	GEAR-WORM 1.25 PD .62 LEAD
14	1070	0	F	SPACER-1.25X(VAR)X1.5
15	1024	0	F	DRIVESHAFT-MACH
16	9301	0	S/F	KEY-.188 SQX1.0
17	1069	0	F	SPACER SLEEVE
18	1068	0	F	NUT 1.0-14 ADJ
19	1067	0	F	TUBING-MACH
20	1063	0	F	WORM-1.25 PD .62 LEAD
21	1066	0	F	SPACER-1X.76X.54

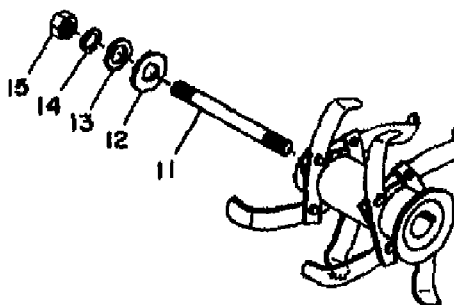


OLD-STYLE TINE HOLDER MOUNTING ARRANGEMENT

Beginning with Tiller Serial No. 308889, all tillers have been equipped with the new-style Bolo Tine holder mounting bolt and washer set shown at Index No. 10, above. This mounting arrangement makes it much easier to remove and replace the holders, if necessary.

As a result, we no longer stock the old-style, Part #1206 mounting stud (threaded on both ends), that is shown at Index No. 11, below. If you ever need to replace a #1206 stud, or if you simply want to update your tiller, you should order the Part #1735 bolt and washer set shown at Index No. 10, above (order two #1735's if you're replacing both studs).

We do, however, still stock the washers and nut that are used with the #1206 stud. Those items are shown below at Index No's. 12, 13, 14 & 15.

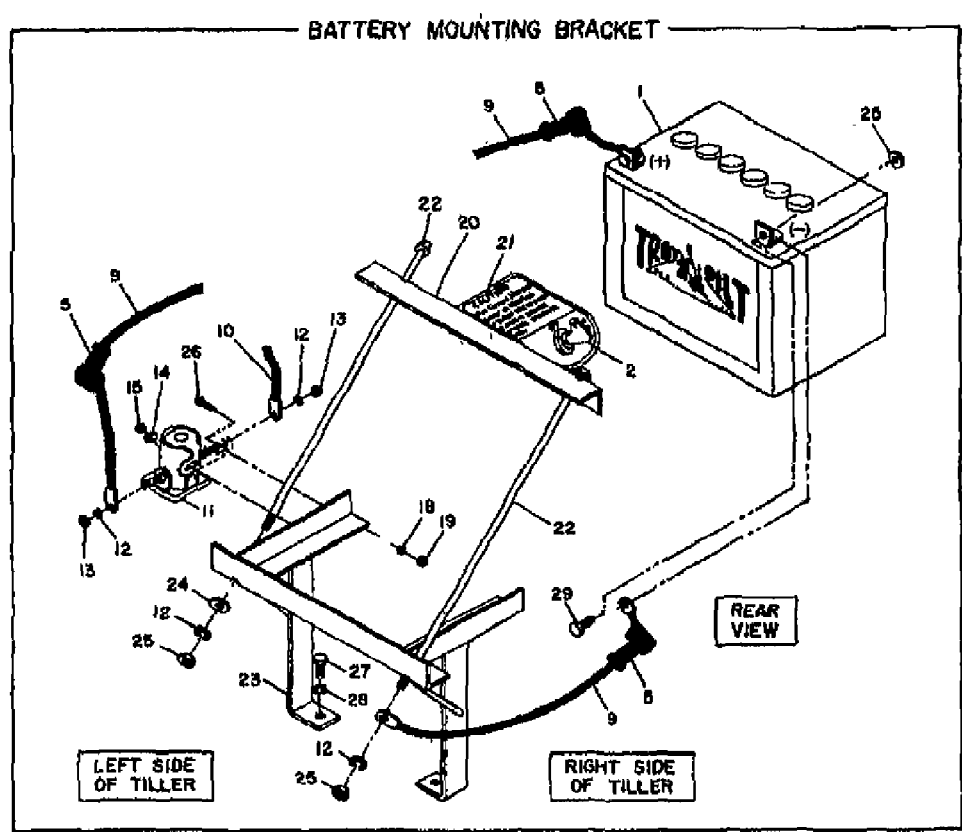
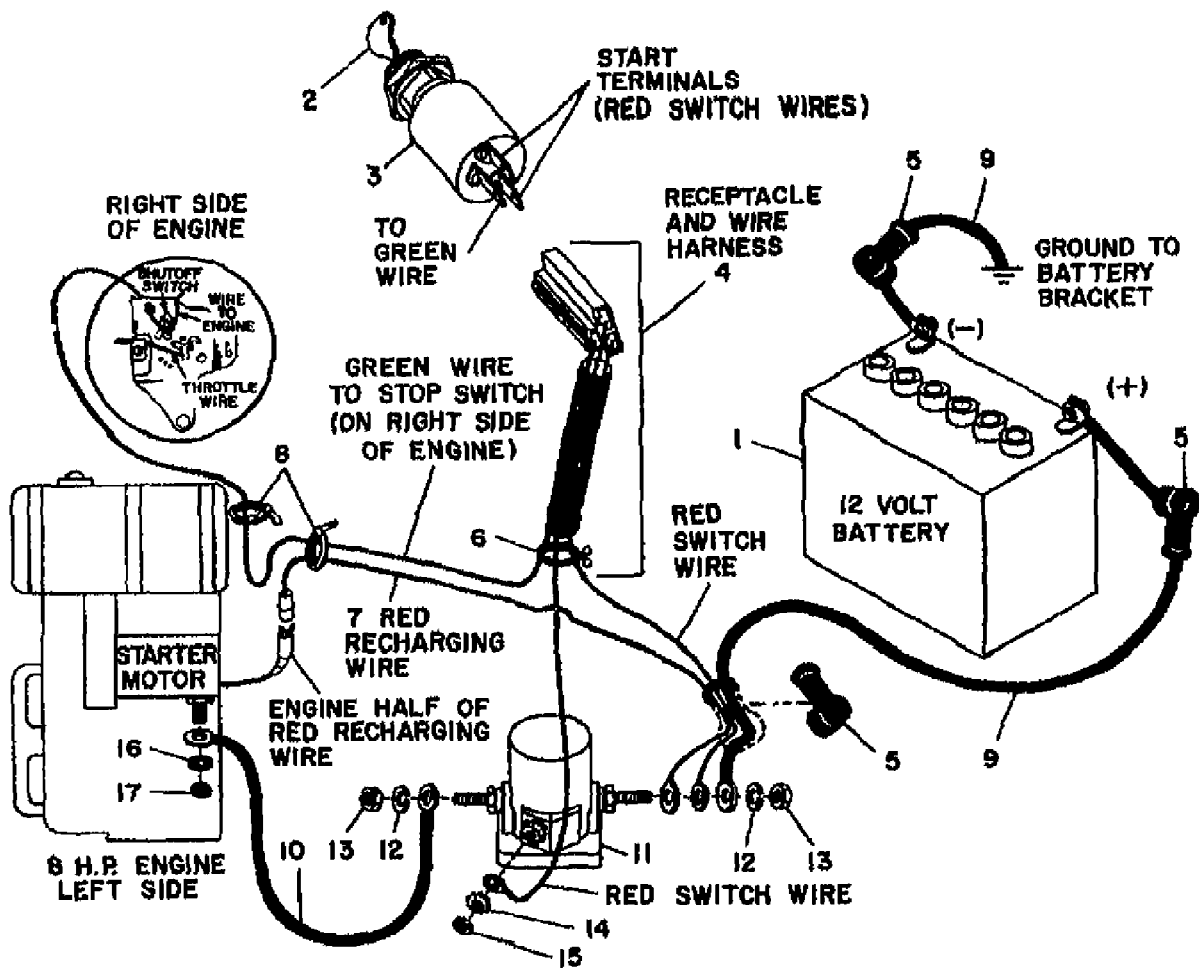


HORSE II 7HP ROTO TILLER (S/N 1001-639999)
BOLO TINES ASSEMBLIES

Page 4 of 26

Ref #	Part Number	Qty	S/P/F	Description
1	9802	0		NUT-HEX 3/8-16 ZP
2	9711	0		SCR-HH 3/8-16X1.0 G5 ZP
3	1270-2A	0	S	TINE-BOLO RT W/HDW
4	1270-1A	0	S	TINE-BOLO LT W/HDW
5	1205	0		HOLDER-TINE W/SHIELD
6	1463	0		BOLT-HH 1/2-20 X 5.75 ZP
7	9914	0		WASHER-LK .5
8	1461	0		WASHER-#1.75X.531X.187 ZP
9	1207A	0		WASHER-SET BOLO
10	1735	0		KIT-TINE BOLT & WASHER
11	9913	0		WASHER-LK .375 @ DEPL
	1246	0		BOLO HOLDERS & TINES
	1245K	0		TINES-BOLO HORSE/PONY/ECONO
11	1206	0		KIT-TINE BOLT & WASHER
12	9908	0		WASHER-1.75X.625X.11
13	9905	0		WASHER-PLAIN 1/2 ZP
14	9914	0		WASHER-LK .5
15	9805	0		NUT-HEX 1/2-20

HORSE II 7HP ROTO TILLER (S/N 1001-639999)
ELECTRIC START SYSTEMS (B&S)

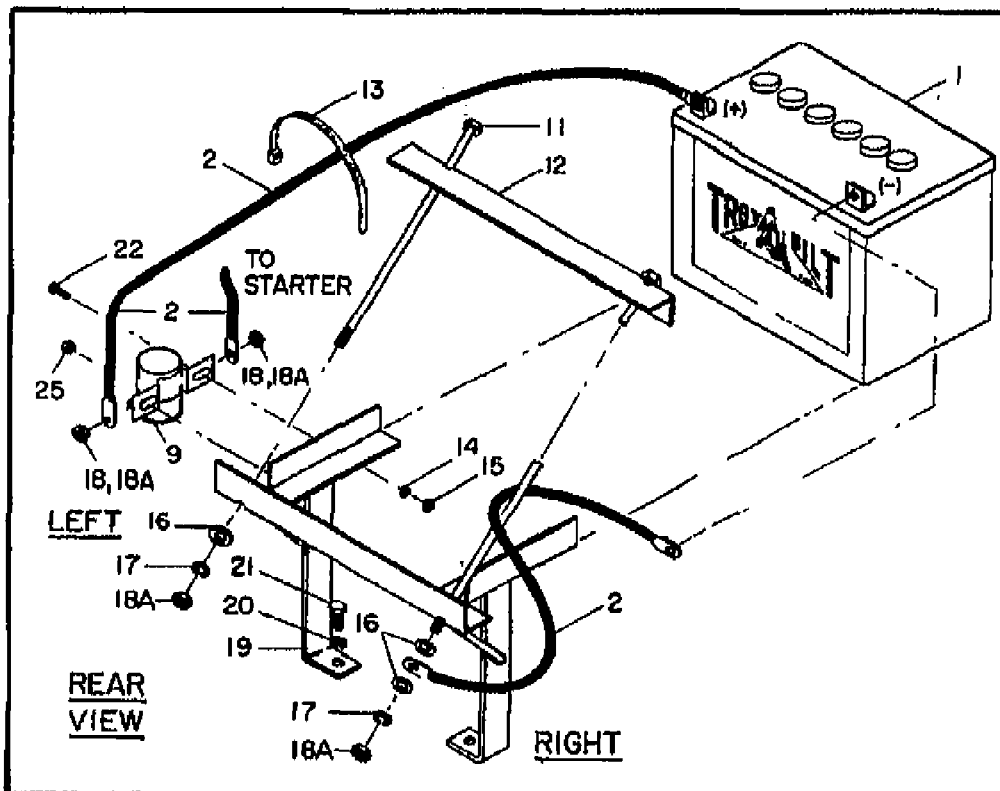
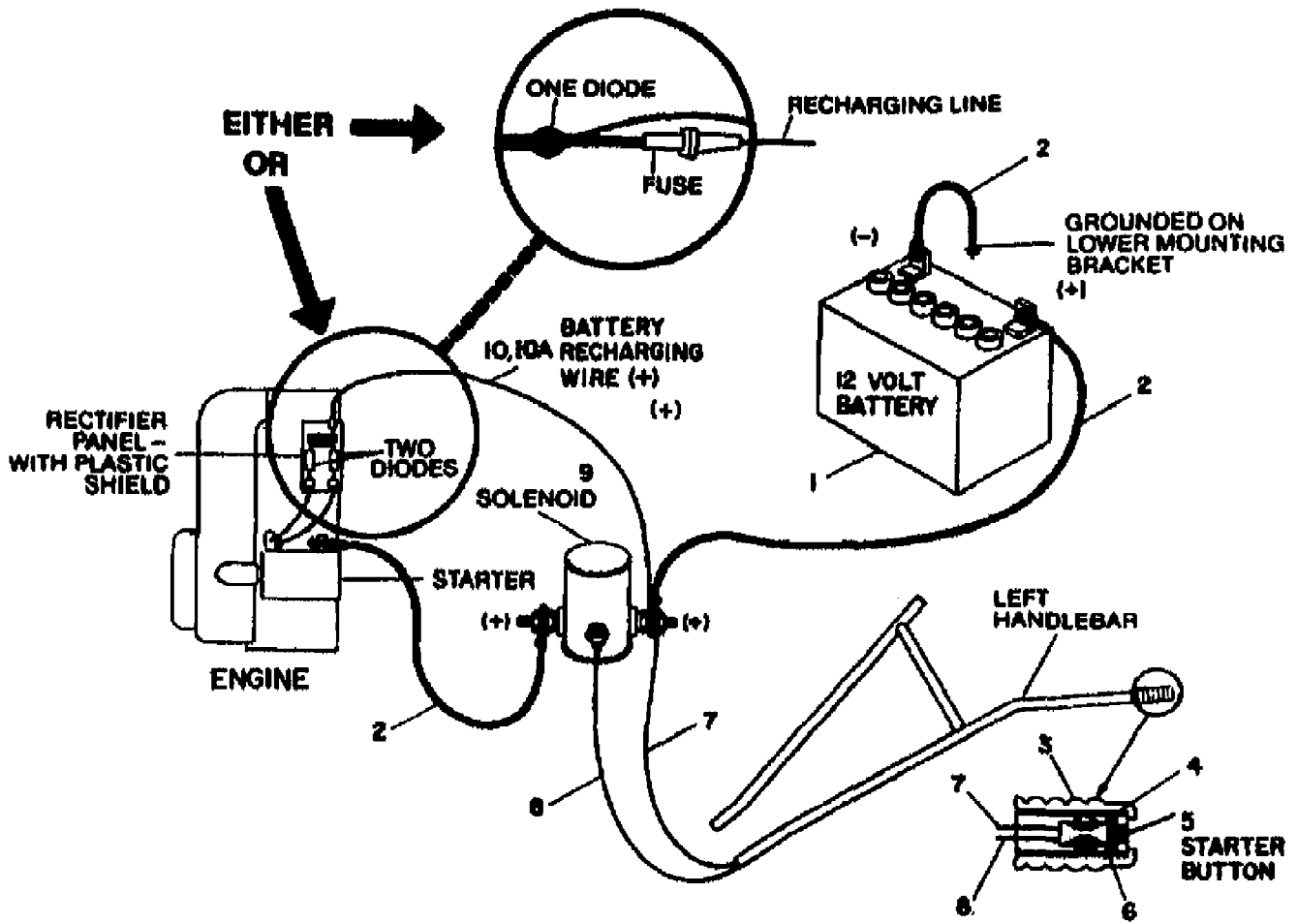


HORSE II 7HP ROTO TILLER (S/N 1001-639999)
ELECTRIC START SYSTEMS (B&S)

Page 6 of 26

Ref #	Part Number	Qty	S/P/F	Description
1	9123	0		KIT-VENTED BATTERY
2	9243	0		KEYS(1 PAIR) FOR SWITCH
3	9230	0		KEYSWITCH W/KEYS
4	20424	0		ASSM-HARNESS 2647/20857
5	9255	0		BOOT
6	9265	0	S	TIE-TWIST LOCK
7	1554	0		WIRE-RECHARGE 5&7 BRIGGS
8	9266	0		TIE-CABLE NYLON BLACK
9	9295	0		CABLE-BATTERY
10	9223	0		CABLE-BATTERY
11	9127	0		KIT-SOL W/HDW
12	9912	0		WASHER-LK .312 ZP
13	9826	0		NUT-HEX 5/16-24
14	9921	0	S	WASHER-EXTERNAL TOOTH 1
15	9809	0		NUT-HH M10-32X.125
16	0	0		LOCKWASHER 1/4"
17	0	0		NUT HEX 1/4"-20
18	9910	0		WASHER-LK .25 ZP
19	9800	0		NUT-HEX 1/4-20 ZP
20	1468	0		KEYSWITCH PLATE/CLAMP-WELD
21	20418	0		DECAL-KEYSWITCH TILLER
22	9706	0		SCR-HH 5/16-18 X 9
23	1169	0		KIT-BATTERY BRKT HORSE
24	9902	0		WASHER-FLAT 5/16 SAE
25	9801	0		NUT-HEX 5/16-18 ZP
26	9723	0		SCR-RH 1/4-20 X .75 ZP
27	9713	0		BOLT-HH 3/8-16X1.5 FTH ZP
28	9913	0		WASHER-LK .375 @ DEPL
29	9703	0		SCR-HHC 5/16-18X.75 GR 5 ZP

HORSE II 7HP ROTO TILLER (S/N 1001-639999)
 ELECTRIC START SYSTEMS (TEC.)(S/N 291332 & BELOW)

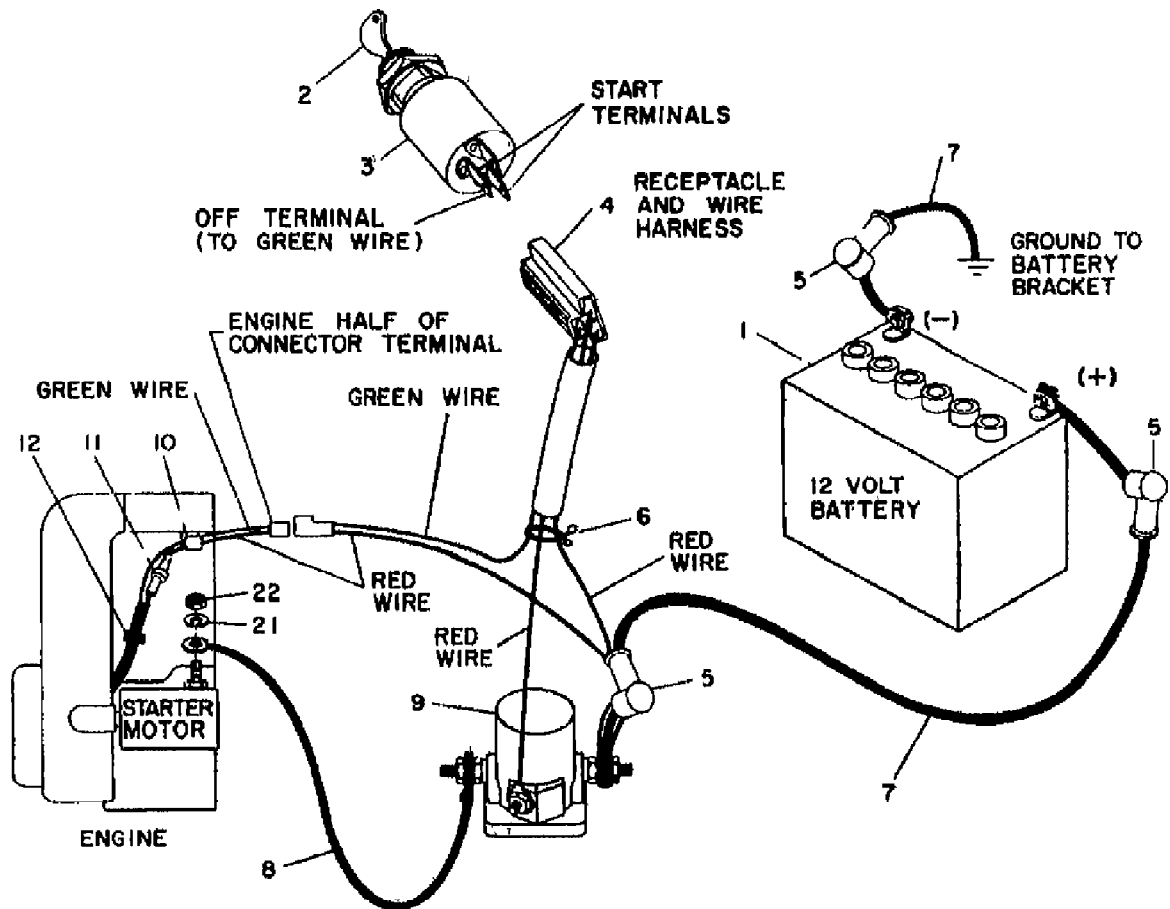


HORSE II 7HP ROTO TILLER (S/N 1001-639999)
ELECTRIC START SYSTEMS (TEC.)(S/N 291332 & BELOW)

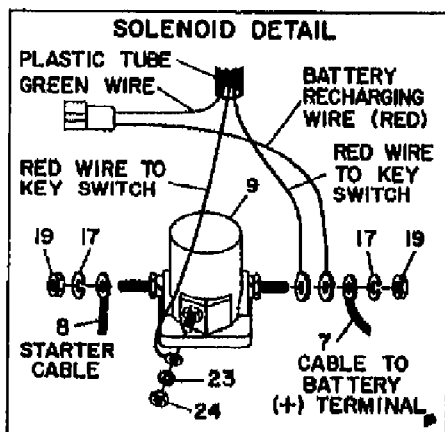
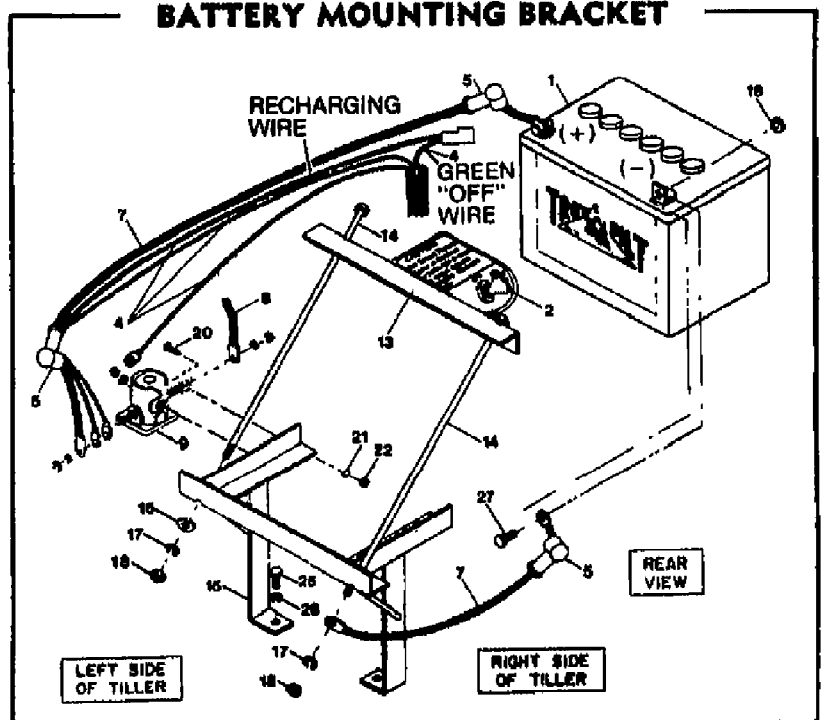
Page 8 of 26

Ref #	Part Number	Qty	S/P/F	Description
1	9123	0		KIT-VENTED BATTERY
2	9124	0		CABLE-BATTERY
3	9141	0		GRIP-HANDLEBAR
4	1180	0		SPACER-1.25X1X1.375
5	9128	0		SWITCH-STARTER
6	1229	0		WASHER-#1.25X.938X.062
7	1225	0		ASSM-WIRE LG
8	1226	0		ASSM-WIRE SM
9	9127	0		KIT-SOL W/HDW
10	1424	0		ASSEMBLY-CONNECTOR
10A	1227	0		ASSM-WIRE SOL/RECTIFIER
	29561	0		FUSE, 6AMPS (TEC. PART NUMBER)
11	9706	0		SCR-HH 5/16-18 X 9
12	1168	0		CLAMP-BATTERY BRKT
13	9202	0	S	TIE-RED
14	9910	0		WASHER-LK .25 ZP
15	9800	0		NUT-HEX 1/4-20 ZP
16	9902	0		WASHER-FLAT 5/16 SAE
17	9912	0		WASHER-LK .312 ZP
18	9826	0		NUT-HEX 5/16-24
18A	9801	0		NUT-HEX 5/16-18 ZP
19	1169	0		KIT-BATTERY BRKT HORSE
20	9913	0		WASHER-LK .375 @ DEPL
21	9713	0		BOLT-HH 3/8-16X1.5 FTH ZP
22	9723	0		SCR-RH 1/4-20 X .75 ZP
?23	9218	0	S	CLIP-SPECIAL
25	9809	0		NUT-HH M10-32X.125

HORSE II 7HP ROTO TILLER (S/N 1001-639999)
 ELECTRIC START SYSTEMS (TEC.)(S/N 291333 & ABOVE)



BATTERY MOUNTING BRACKET

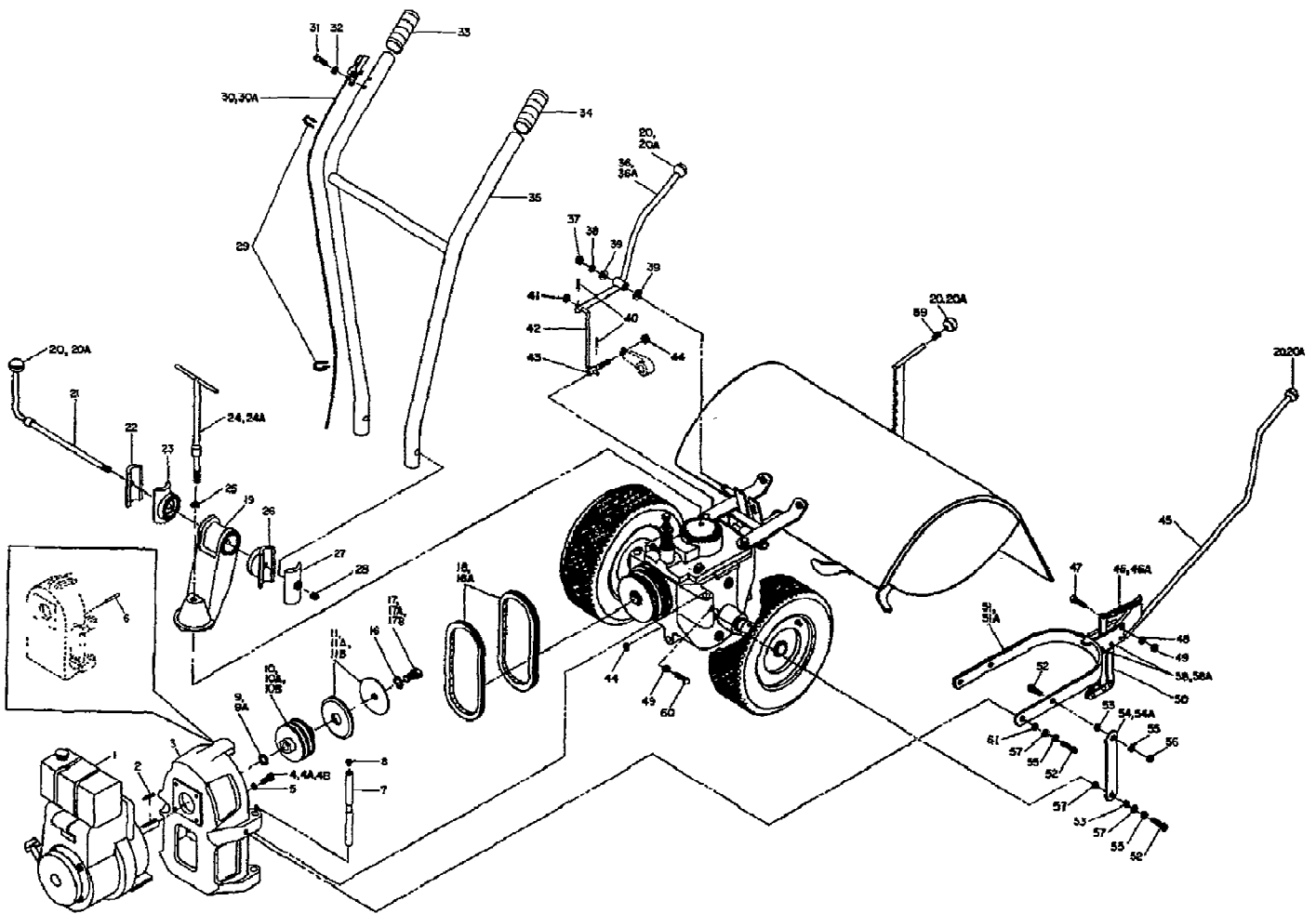


HORSE II 7HP ROTO TILLER (S/N 1001-639999)
ELECTRIC START SYSTEMS (TEC.)(S/N 291333 & ABOVE)

Page 10 of 26

Ref #	Part Number	Qty	S/P/F	Description
1	9123	0		KIT-VENTED BATTERY
2	9243	0		KEYS(1 PAIR) FOR SWITCH
3	9230	0		KEYSWITCH W/KEYS
4	1552	0		HARNESS-WIRE 6HP
5	9255	0		BOOT
6	9265	0	S	TIE-TWIST LOCK
7	9295	0		CABLE-BATTERY
8	9223	0		CABLE-BATTERY
9	9127	0		KIT-SOL W/HDW
10	9218	0	S	CLIP-SPECIAL
11	0	0		FUSE- 6AM, 3AGC
12	0	0		DIODE - BATTERY DISCHARGING
13	1468	0		KEYSWITCH PLATE/CLAMP-WELD
14	9706	0		SCR-HH 5/16-18 X 9
15	1169	0		KIT-BATTERY BRKT HORSE
16	9902	0		WASHER-FLAT 5/16 SAE
17	9912	0		WASHER-LK .312 ZP
18	9801	0		NUT-HEX 5/16-18 ZP
19	9826	0		NUT-HEX 5/16-24
20	9723	0		SCR-RH 1/4-20 X .75 ZP
21	9910	0		WASHER-LK .25 ZP
22	9800	0		NUT-HEX 1/4-20 ZP
23	9921	0	S	WASHER-EXTERNAL TOOTH 1
24	9809	0		NUT-HH M10-32X.125
25	9713	0		BOLT-HH 3/8-16X1.5 FTH ZP
26	9913	0		WASHER-LK .375 @ DEPL
27	9703	0		SCR-HHC 5/16-18X.75 GR 5 ZP
	20418	0		DECAL-KEYSWITCH TILLER

HORSE II 7HP ROTO TILLER (S/N 1001-639999)
ENGINE, PULLEYS, BELTS, HANDLES & SHIFTS



HORSE II 7HP ROTO TILLER (S/N 1001-639999)
ENGINE, PULLEYS, BELTS, HANDLES & SHIFTS

Page 12 of 26

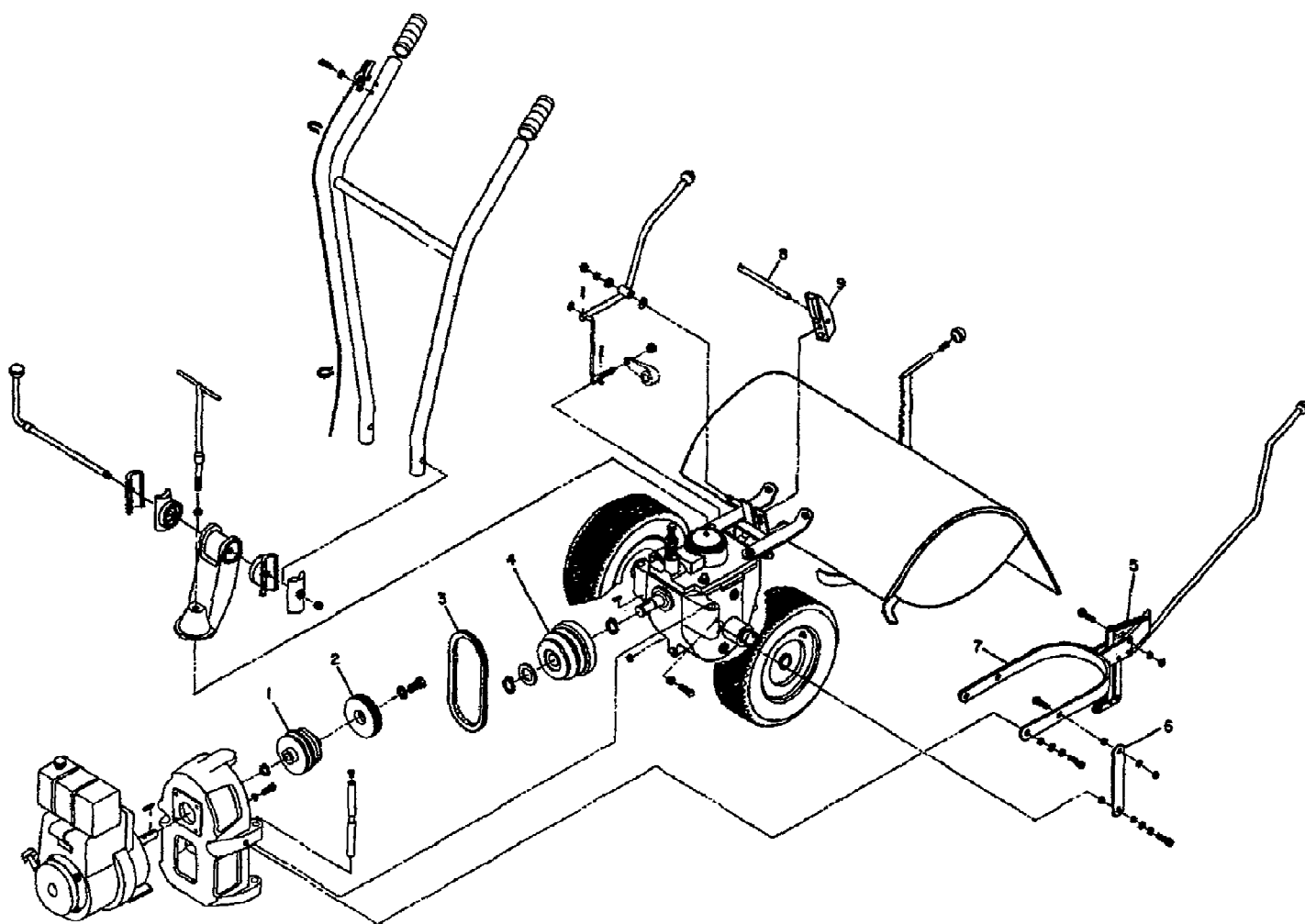
Ref #	Part Number	Qty	S/P/F	Description
1	0	0		ENGINE
2	9303	0	S	KEY-.188 SQ X 2.33
3	1698	0		MOUNT-MOTOR ENG.HSE I,II,III
4	9707	0		SCR 5/16-24 X 1
4A	9704	0		SCR-HH 5/16-18X1.0 G5 ZP
4B	9732	0		SCR 5/16-24 X 1
5	9912	0		WASHER-LK .312 ZP
6	9310	0		PIN-SPIROL .25 X 2.5
7	1034	0		BAR-ENG MTG W/CAP PLUG
8	9147	0	S	PLUG-CAP (RED)
9	1138-1	0	S	SHIM-1.0X.7656X.062
9	1138-2	0	S	SHIM-1.0X.7656X.031
9A	1213	0		SHIM-1.0X.7656X.062
10	1483	0	S	PULLEY-ENG MACH
10A	1007-1	0		PULLEY-ENG MACH D/BELT
10B	1007	0		KIT-PULLEY CONVERSION
11	1919	0	S	KIT-ADJ BLOCK/REV DISC
11A	1072A	0		KIT-REV DISC 2 SPEED
11B	1072K	0		KIT-REV DISC 2 SPEED
16	9913	0		WASHER-LK .375 @ DEPL
17	9738	0		SCR-HH 3/8-24X1.75 ZP
17A	9715	0		SCR-HH 3/8-24X1.5 G5
17B	9708	0		BOLT-HH 5/16-24 X 1.5 ZP
18	9245	0	S	BELT-V
18A	1128	0		KIT-V BELT
19	1019	0		KIT-BASE ASSM
20	9119	0	S	KNOB-CONTROL
20A	9136	0		KNOB-THREADED
21	1881	0	S	STUD-H/BAR W/NUT & RING
22	1021-2	0		CLAMP-RH HORSE 1021-2
23	1020-2	0		RATCHET-RT H/BAR CAST
24	1043	0		T-CLAMP WELD
24A	1167	0		SCR-5/8 (2373/1043)
25	9915	0		WASHER-LK .625 ZP
26	1020-1	0		RATCHET-LT H/BAR CAST
27	1021-1	0		CLAMP-LH HORSE 1021-1
28	9803	0		NUT-HEX JAM 1/2-13
29	9116	0		TIE-RED
30	9240	0		CABLE-THROTTLE
30A	9115	0		CABLE-THROTTLE
31	9733	0	S	SCR-PHS M10-32X.5 STH ZP
32	9909	0		WASHER-LK M10
33	9118	0		GRIP-H/BAR SMOOTH
34	9141	0		GRIP-HANDLEBAR
35	1046A	0		ASSM-HANDLEBAR
36	1843	0		LEVER-SPD SHIFT W/KNOB
36A	1230A	0	F	LEVER-WHL SPEED W/KNOB
37	9806	0		NUT-H/LK 1/2-20 ZP
38	9914	0		WASHER-LK .5
39	9907	0		WASHER-PLAIN 1/2 ZP
40	9317	0	S	PIN-COTTER .094X1.0
41	9902	0		WASHER-FLAT 5/16 SAE
42	1231	0	S	ROD-CONNECTING

HORSE II 7HP ROTO TILLER (S/N 1001-639999)
ENGINE, PULLEYS, BELTS, HANDLES & SHIFTS

Page 13 of 26

Ref #	Part Number	Qty	S/P/F	Description
43	1033	0	S	SWIVEL
44	9808	0		NUT-H/LK 5/16-18
45	1134A	0		TRAC-RER
46	1492	0	S	SPRING-.436 X 3.25
46A	1122	0		SPRING-.406 X 3.125
47	9705	0		SCR-HH 5/16-18X1.25 G5ZP
48	9912	0		WASHER-LK .312 ZP
49	9801	0		NUT-HEX 5/16-18 ZP
50	1042	0		KIT-ROLLER HORSE 1 & 2
	1051A	0		KIT-ROLLER REPAIR
51	1921	0		KIT-LEVER FWD/REV-HORSE 2
51A	1037	0		YOKE-2SP WELD PNT
52	9710	0		SCR-HH 3/8-16X1.0 G5 ZP
53	1113-1	0	S	BUSHING-.5X.375X.3
54	1488	0		BAR-CLUTCH YOKE
54A	1098	0		LINK-CLUTCH YOKE
55	9913	0		WASHER-LK .375 @ DEPL
56	9802	0		NUT-HEX 3/8-16 ZP
57	9904	0	S	WASHER-FLAT 3/8 SAE
58	9323	0		PIN-SPIROL .313 X 1.0
58A	1136	0		TRACTOR-R.E.R. 11HP 36"
59	9120	0	S	RING-TOLERANCE .5325 ID
60	9704	0		SCR-HH 5/16-18X1.0 G5 ZP
61	2146	0	S	BUSHING-.5X.375X.325

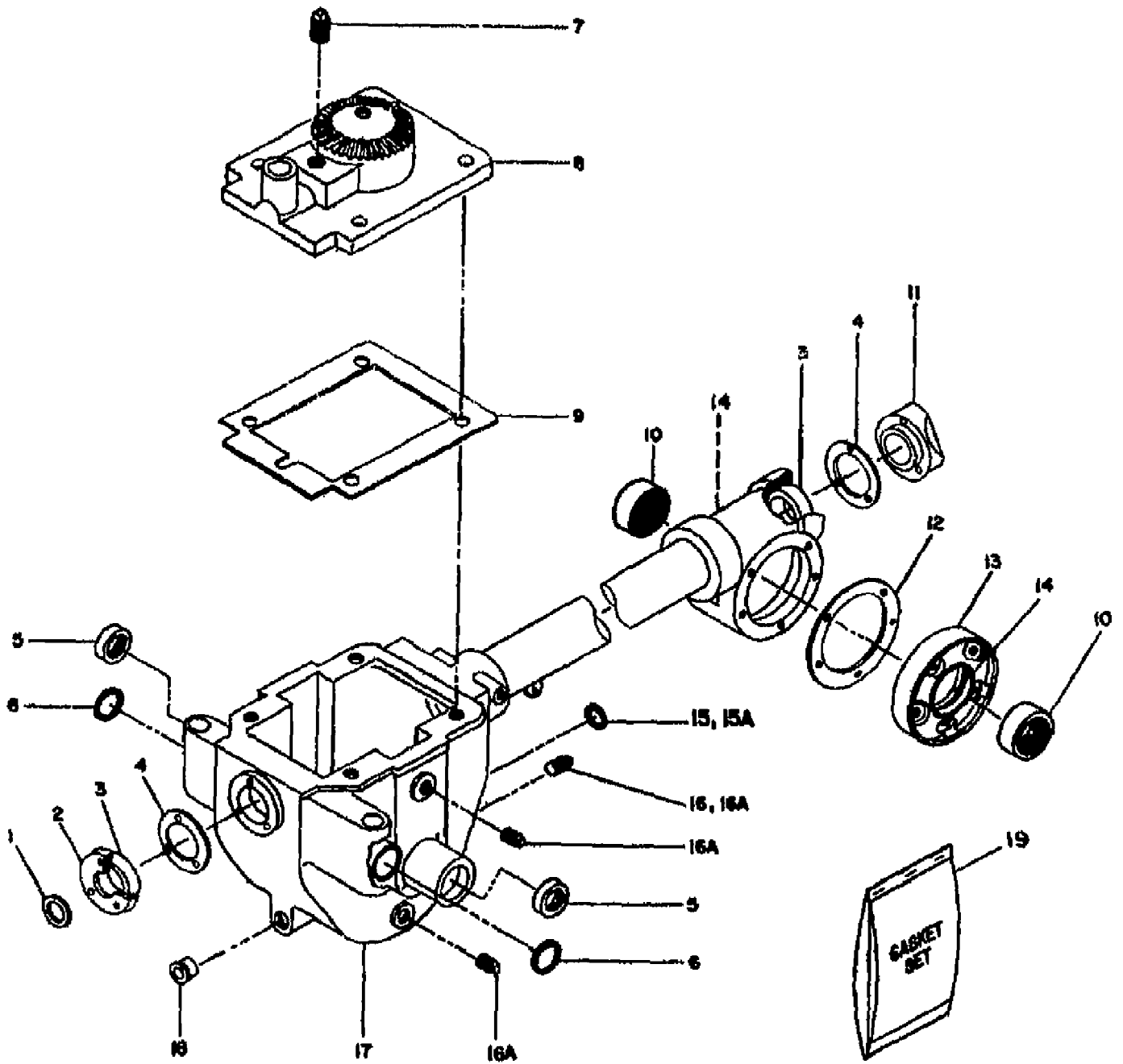
HORSE II 7HP ROTO TILLER (S/N 1001-639999)
PULLEY, BELT, CLUTCH CONTROL FOR 4-SPEED MODELS



HORSE II 7HP ROTO TILLER (S/N 1001-639999)
 PULLEY, BELT, CLUTCH CONTROL FOR 4-SPEED MODELS

Ref #	Part Number	Qty	S/P/F	Description
1	1483	0	S	PULLEY-ENG MACH
2	1919	0	S	KIT-ADJ BLOCK/REV DISC
3	9245	0	S	BELT-V
4	1484	0		PULLEY-TRANS-MACH
5	1492	0	S	SPRING-.436 X 3.25
6	1488	0		BAR-CLUTCH YOKE
7	1921	0		KIT-LEVER FWD/REV-HORSE 2
8	2100	0	S	BAR-ADJUST
9	1920	0	S	KIT-ADJ BLOCK 4 SP

HORSE II 7HP ROTO TILLER (S/N 1001-639999)
SEALS, COVERS, GASKETS, AND PIPE PLUGS

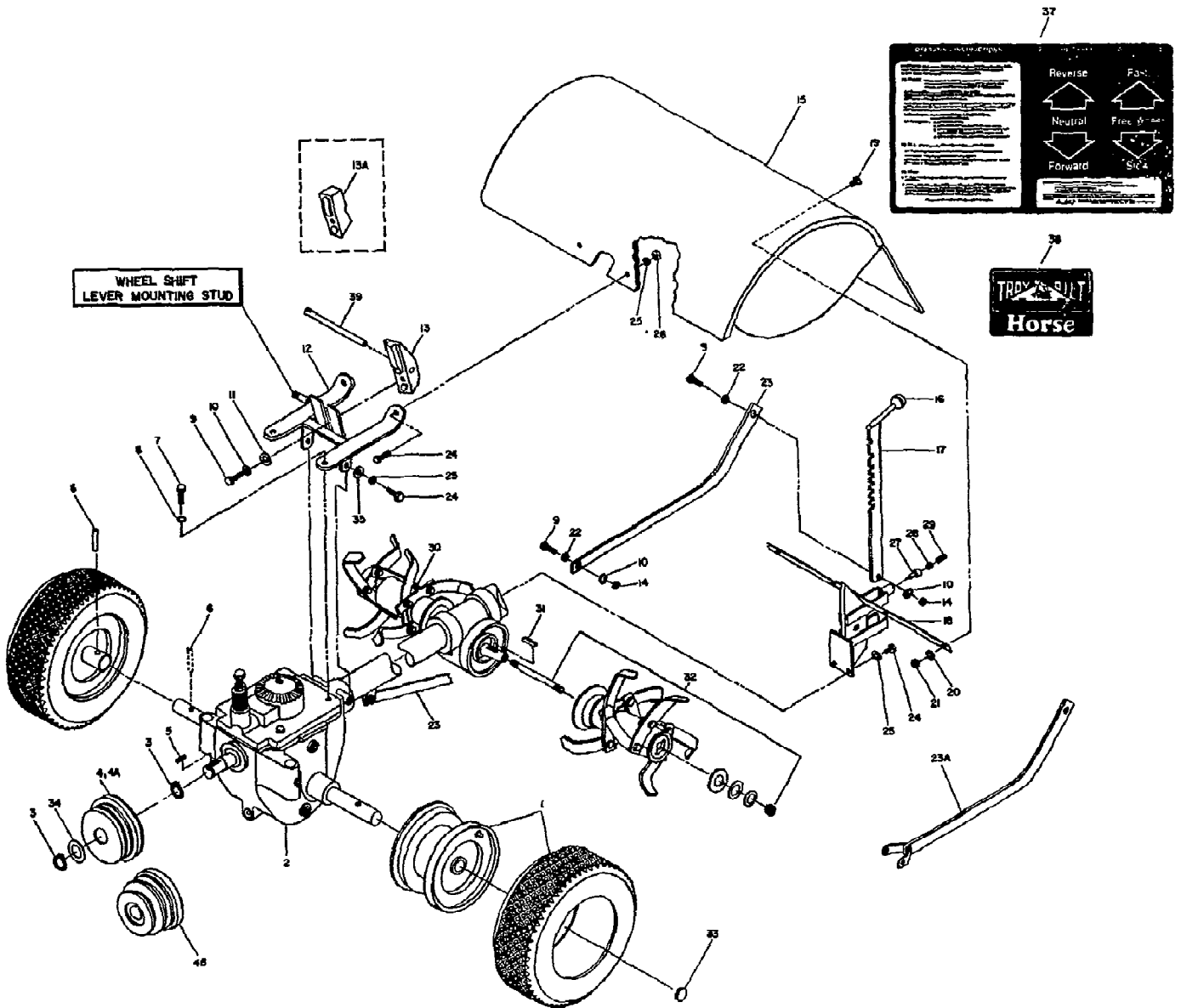


HORSE II 7HP ROTO TILLER (S/N 1001-639999)
SEALS, COVERS, GASKETS, AND PIPE PLUGS

Page 17 of 26

Ref #	Part Number	Qty	S/P/F	Description
	1360A	0		OIL (1901964)
	1901964	0		OIL-GEAR 1 QT 140WT
1	9600	0		SEAL-PINION SHAFT PT/85030/00
2	1114	0		COVER-FRONT
3	1714	0	S	KIT-BRG CONE&RACE-DRIVESHAFT
4	1124-2	0	S	GASKET-BRG COVER
5	9609	0		SEAL-OIL WHEELSHAFT
6	9604	0	S	RING-O 1 ID
7	9727	0	S	PLUG-PIPE 3/8 NPT
8	1003	0		ASSM-COVER W/BOLT-HORSE
9	1123	0	S	GASKET-TRANS COVER
10	9616	0		SEAL-OIL TILLERSHAFT
11	1115	0		CAP-REAR #1115
12	1129-1	0	S	GASKET-TILLER COVER
12	1129-2	0	S	GASKET-TILLER COVER
13	1872	0		COVER-W/SCRS(TLR) (9780)
14	11527	0		KIT-TILLER GEAR & BRGS
15	9611	0		SEAL-OIL ECCENTRIC
15A	9603	0		RING-O .625 X .438
16	9727	0	S	PLUG-PIPE 3/8 NPT
16A	9726	0	S	PLUG-PIPE 1/4 NPT
17	0	0		CASE
18	9122	0	S	PLUG-CAP (RED)
19	1121A	0		TRANS GASKET SET

HORSE II 7HP ROTO TILLER (S/N 1001-639999)
TINES, HOOD, WHEELS & DEPTH REGULATOR



HORSE II 7HP ROTO TILLER (S/N 1001-639999)
TINES, HOOD, WHEELS & DEPTH REGULATOR

Page 19 of 26

Ref #	Part Number	Qty	S/P/F	Description
1	9142	0	F	ASSM-STD TIRE
2	0	0		CASE
3	9500	0	S	RING-RETAIN EXT .707 ID
4	1008-1	0		PULLEY-TRANS MACH 2 BELT
4A	1008	0		KIT-PULLEY CONVERSION
4B	1484	0		PULLEY-TRANS-MACH
5	9301	0	S	KEY-.188 SQX1.0
6	9322	0	S	PIN-SPIROL .313 X 1.5
7	9713	0		BOLT-HH 3/8-16X1.5 FTH ZP
8	9913	0		WASHER-LK .375 @ DEPL
9	9710	0		SCR-HH 3/8-16X1.0 G5 ZP
10	9913	0		WASHER-LK .375 @ DEPL
11	9903	0		WASHER-1.0X.438X.104 ZP
12	1077	0		BRKT-FRONT HOOD WELD
13	1920	0	S	KIT-ADJ BLOCK 4 SP
13A	1133-1A	0		BLOCK-BELT ADJUST MACH
14	9802	0		NUT-HEX 3/8-16 ZP
15	1519	0		HOOD W/DECALS HI&II
16	9119	0	S	KNOB-CONTROL
17	1117A	0	S	DEPTH REGULATOR W/KNOB
18	1076	0		KIT-REAR HOOD BRKT
19	9723	0		SCR-RH 1/4-20 X .75 ZP
20	9910	0		WASHER-LK .25 ZP
21	9800	0		NUT-HEX 1/4-20 ZP
22	1113-1	0	S	BUSHING-.5X.375X.3
23	4763	0		BAR-DRAG PNT RED
23A	1116	0	F	ASSM-WELD DRAG BAR PNT
24	9703	0		SCR-HHC 5/16-18X.75 GR 5 ZP
25	9912	0		WASHER-LK .312 ZP
26	9801	0		NUT-HEX 5/16-18 ZP
27	1119	0		PLUNGER
28	1120	0		SPRING .406 X 1.25
29	9726	0	S	PLUG-PIPE 1/4 NPT
30	0	0		BOLO TINE ASSEMBLY, RIGHT
31	9301	0	S	KEY-.188 SQX1.0
32	0	0		SEE TINE ASSEMBLIES, PAGES 18 & 19
33	9145	0		CAP-HUB BLK PLASTIC
34	1138-1	0	S	SHIM-1.0X.7656X.062
35	9902	0		WASHER-FLAT 5/16 SAE
?36	9712	0		SCR-HH 3/8-16X1.25
37	1239	0		DECAL-HOOD
38	1238	0		DECAL-HORSE LOGO OPC
39	2100	0	S	BAR-ADJUST

HORSE II 7HP ROTO TILLER (S/N 1001-639999)
TRANSMISSION ASSEMBLIES

Page 21 of 26

Ref #	Part Number	Qty	S/P/F	Description
	1360A	0		OIL (1901964)
	1901964	0		OIL-GEAR 1 QT 140WT
1	9600	0		SEAL-PINION SHAFT PT/85030/00
2	1114	0		COVER-FRONT
3	9701	0		SCR-HH 1/4-20X.75 G5 ZP
4	9910	0		WASHER-LK .25 ZP
5	1124-2	0	S	GASKET-BRG COVER
6	1714	0	S	KIT-BRG CONE&RACE-DRIVESHAFT
7	9780	0		SCR-HH 1/4-20X.625
8	1902	0		KIT-DRIVESHAFT HORSE
9	1224-1	0	S	SHIM-1.75X1.5X.01
9	1224-2	0	S	SHIM-1.75X1.5X.03
9	1224-3	0	S	SHIM-1.75X1.5X.005
10	1115	0		CAP-REAR #1115
11	9911	0	S	WASHER-LK .25 HI-COLLAR
12	9773	0		SCR-HFLK 1/4-20X.875
12A	9719	0	S	SCR-HXSKT 1/4-20X1.0
14	1442	0	S	PIN-.375 X .72
15	1568	0		SHAFT-ECCENTRIC HORSE TLR
16	1441	0	S	SPRING .845 X 1.25
17	1440	0	S	WASHER # .875 X .65 X .06
18	9611	0		SEAL-OIL ECCENTRIC
21	9609	0		SEAL-OIL WHEELSHAFT
22	1166-1	0	S	SHIM-1.375X1.015X.062
22	1166-2	0	S	SHIM-1.375X1.015X.03
22	1166-3	0	S	SHIM-1.375X1.015X.015
22	1166-4	0	S	SHIM-1.375X1.015X.01
22	1166-5	0	S	SHIM-1.375X1.015X.005
23	9511	0	S	RING-HEAVY EXT .906 ID
23A	9501	0		RING-RETAINING 5100-100
24	1086	0	S	BUSHING-1.25X1.005X1.5
25	1878	0	S	KIT-WHEELSHAFT
25A	1235A	0		KIT-WHEELSHAFT
25B	1879	0		KIT-WHEELSHAFT
25C	1025	0		KIT-WHEELSHAFT
26	1232	0	S	GEAR-SPUR 46 TEETH MACH
26A	1005	0		GEAR-SPUR-50 TEETH-MACH
27	1237	0	S	CLUTCH-MACH
28	1112	0	S	PIN-CLUTCH .25 2.65
29	1223	0	S	GEAR-SPUR 56 TEETH MACH
29A	1004	0		GEAR-SPUR 60 TEETH-MACH
30	9357	0	S	KEY-HI PRO .25X1.812
30A	9305	0	S	KEY-HI PRO .25X1.062
31	1094	0		PIN-.375 X .72
32	1016	0		CLUTCH FORK
33	1027A	0		SHAFT-ECC WITH O RING
34	1041	0		PIN-.5X4.0 FORK #
35	9603	0		RING-O .625 X .438
36	1029	0		LEVER-ECC. #1029
13	9301	0	S	KEY-.188 SQX1.0
37	1060A	0	S	PLUG-PINION BRG W/RING
38	9309	0	S	PIN-SPIROL .25 X 2.0
39	9604	0	S	RING-O 1 ID

HORSE II 7HP ROTO TILLER (S/N 1001-639999)
TRANSMISSION ASSEMBLIES

Page 22 of 26

Ref #	Part Number	Qty	S/P/F	Description
40	1132-1	0	S	SHIM-1.234X1.015X.033
40	1132-2	0	S	SHIM-1.234X1.015X.062
40	1132-3	0	S	SHIM-1.234X1.015X.01
41	9404	0	S	BRG-BALL (7 BALLS)
42	1126	0	S	WASHER-# 1X.484X.06
43	1233	0	S	GEAR-SPUR 20 TEETH MACH
43A	1056	0		GEAR-SPLINE-16 TEETH-MACH
44	1221	0		GEAR-WORM 36 TEETH MACH
44A	1057	0		GEAR-WORM-30 TEETH-MACH
45	9502	0	S	RING-RETAINING 5100-150
46	1222	0	S	GEAR-SPLINE 10 TEETH MACH
46A	1055	0		GEAR-SPLINE 6 TEETH MACHINE
55	9300	0	S	KEY
13	9301	0	S	KEY-.188 SQX1.0
19	9911	0	S	WASHER-LK .25 HI-COLLAR
47	9616	0		SEAL-OIL TILLERSHAFT
48	0	0		TAPERED, BEARING & CUP
50	0	0		WORM GEAR
50A	11527	0		KIT-TILLER GEAR & BRGS
51	1026A	0		SHAFT-TILLER W/KEY
52	1104	0	S	KEY-WOODRUFF .25X1.12
53	1129-1	0	S	GASKET-TILLER COVER
53	1129-2	0	S	GASKET-TILLER COVER
54	1872	0		COVER-W/SCRS(TLR) (9780)
56	9718	0		SCR-HXSKT 1/4-20X.625
57	1123	0	S	GASKET-TRANS COVER
58	1003	0		ASSM-COVER W/BOLT-HORSE
59	1251	0		SPRING .78 X 2.125
59A	1496	0		SPRING-REV PLUNGER ZP
60	1035	0	S	ASSM-NEUTRAL PLUNGER
61	9831	0		NUT-HFLK 3/8-16 ZP
62	9558	0		BOLT-HH 3/8-16X1.5 FTH ZP
63	9751	0		SCR-HH 5/16-18X1.0 G5 ZP
64	9801	0		NUT-HEX 5/16-18 ZP
65	9727	0	S	PLUG-PIPE 3/8 NPT
66	9713	0		BOLT-HH 3/8-16X1.5 FTH ZP
67	9913	0		WASHER-LK .375 @ DEPL
68	9727	0	S	PLUG-PIPE 3/8 NPT
68A	9726	0	S	PLUG-PIPE 1/4 NPT
69	9307	0	S	PIN-SPIROL .188 X 1.25
70	9122	0	S	PLUG-CAP (RED)
71	0	0		TRANSMISSION CASE, HOUSING & TUBE ASSEMBLY
72	9504	0		RING-KLIP EXT .594 ID ZP

No
Diagram
Available

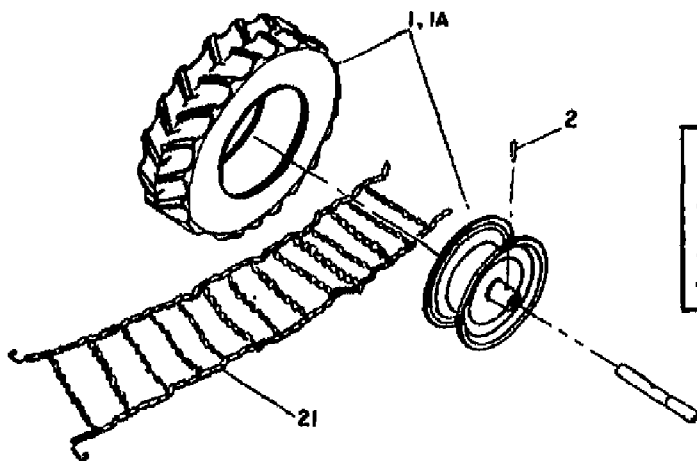
Parts List
Only

HORSE II 7HP ROTO TILLER (S/N 1001-639999)
WHEEL GEAR COMBINATIONS & WHEEL-TO-TINE RATIOS

Page 24 of 26

Ref #	Part Number	Qty	S/P/F	Description
4	1220	0	F	WORM-1.25 PD .26 LEAD
44	1221	0	F	GEAR-WORM 36 TEETH MACH
46	1222	0	S/F	GEAR-SPLINE 10 TEETH MACH
29	1223	0	S/F	GEAR-SPUR 56 TEETH MACH
26	1232	0	S/F	GEAR-SPUR 46 TEETH MACH
43	1233	0	S/F	GEAR-SPUR 20 TEETH MACH
13	1058	0		GEAR-WORM 1.25 PD .62 LEAD
44A	1057	0		GEAR-WORM-30 TEETH-MACH
46A	1055	0		GEAR-SPLINE 6 TEETH MACHINE
29A	1004	0		GEAR-SPUR 60 TEETH-MACH
26A	1005	0		GEAR-SPUR-50 TEETH-MACH
43A	1056	0		GEAR-SPLINE-16 TEETH-MACH

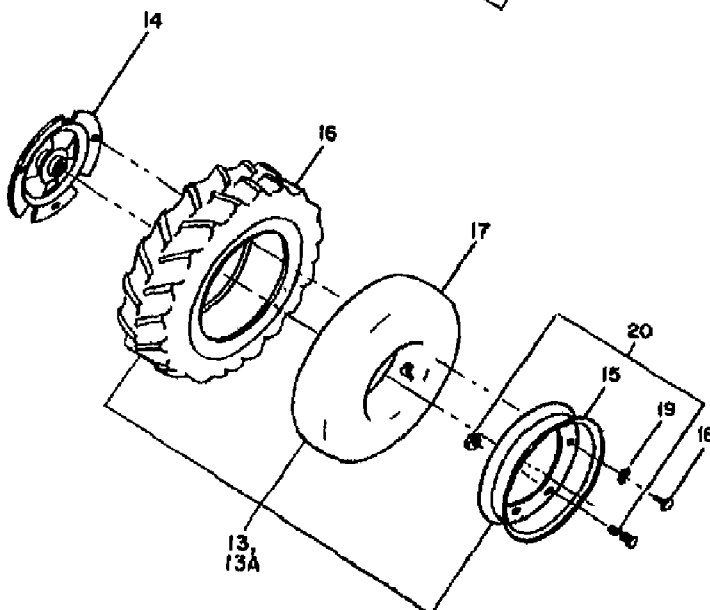
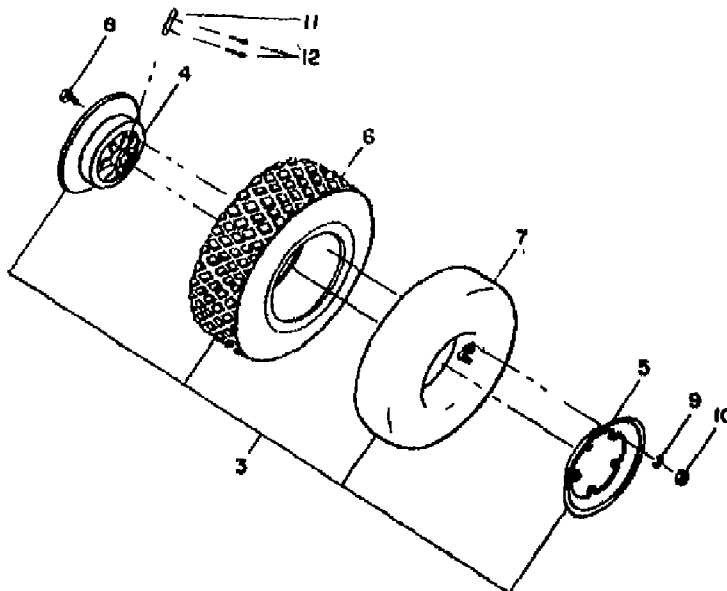
HORSE II 7HP ROTO TILLER (S/N 1001-639999)
WHEELS AND TIRES



PLEASE NOTE: Part #'s 9143 & 9144 (tubeless Bar Treads) must be a matched pair. When ordering a replacement wheel & tire, please specify the manufacturer's name on the tire you're keeping (such as Goodyear, or McCreary, etc.). Thank you.

**WHEEL & TIRE ASSY —Bar Tread
INDIVIDUAL SERVICE PARTS**

- # 1234-1 - TIRE ONLY
- # 2708 - WHEEL RIM ONLY (GREY)



HORSE II 7HP ROTO TILLER (S/N 1001-639999)
WHEELS AND TIRES

Page 26 of 26

Ref #	Part Number	Qty	S/P/F	Description
	1234-1	0	F	TIRE-BTT 4.80/4.00X8.00
	2708	0	F	RIM-WHEEL 8" GRAY
1	9144	0	F	TIRE-RT BT GARDEN TRAC
1A	9143	0	F	TIRE-LT BT GARDEN TRAC
2	9322	0	S	PIN-SPIROL .313 X 1.5
3	9148	0		4X7TIRE/TUBE
4	1018	0		HUB-4X7
5	1017	0		WHEEL RIM
6	9109	0		TIRE 4X7
7	9110	0		TUBE-4X7
8	9712	0		SCR-HH 3/8-16X1.25
9	9913	0		WASHER-LK .375 @ DEPL
10	9802	0		NUT-HEX 3/8-16 ZP
11	1097	0		KIT-NUT/BOLT PIN WHL/SHAFT
12	9317	0	S	PIN-COTTER .094X1.0
13	9149	0	F	ASSM-WHEEL 4X8 BTT
13A	9150	0	F	ASSM-RT WHL BTT
14	1163	0		HUB-WHEEL MACH
15	9113	0		RIMS W/HDW (1648)
16	9111	0		TIRE-BTT 4.80/4.00X8.00
17	9112	0		TUBE-INNER BT (4 X 8)
18	9709	0		SCR-HH 3/8-16X.75 G5 ZP
19	9913	0		WASHER-LK .375 @ DEPL
20	0	0		STUD & NUT
21	9146	0		CHAINS-HORSE TILLER