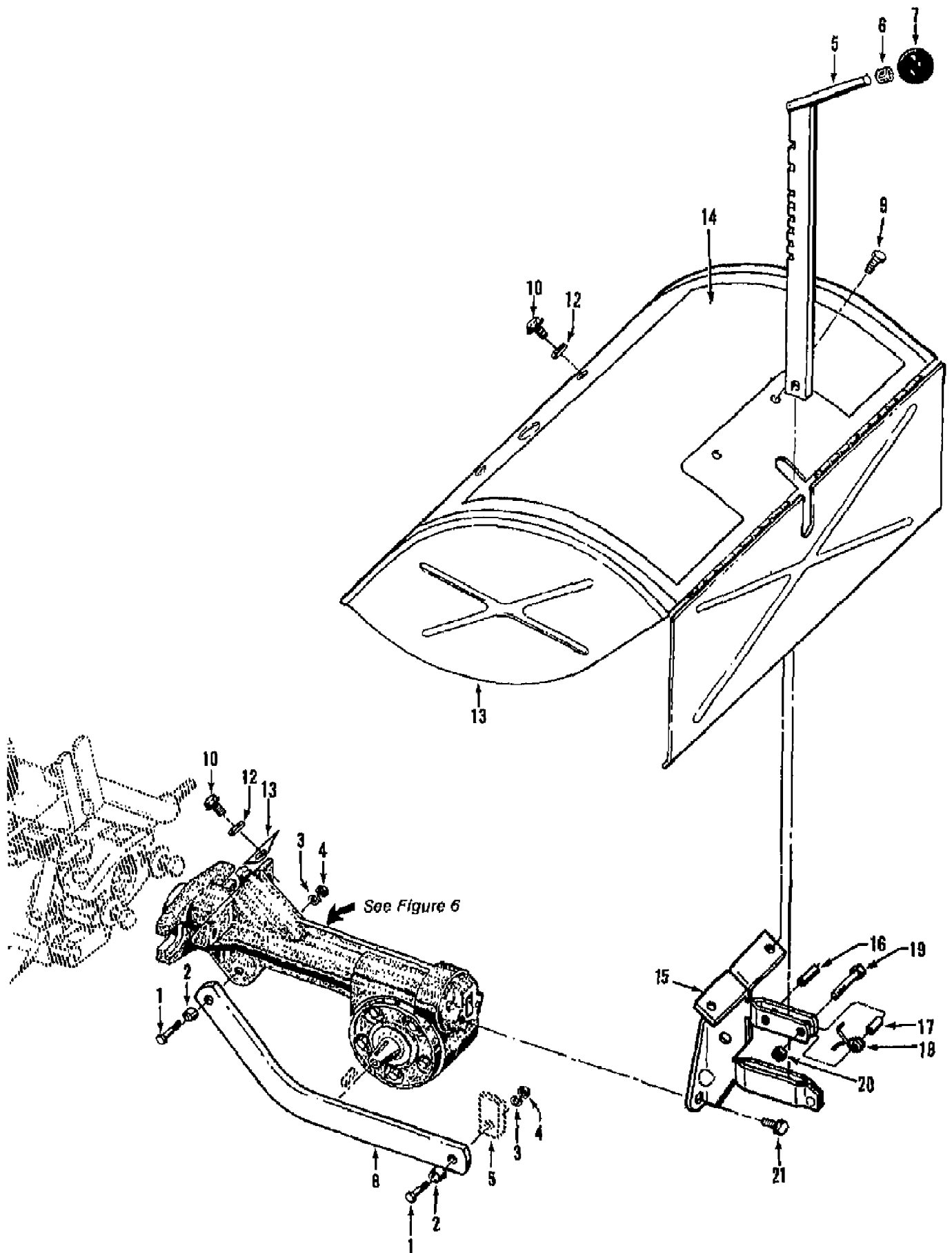


HORSE-OPC (7&8HP) (S/N 00940750-UP)  
DEPTH REGULATOR & TINE HOOD ASSEMBLIES

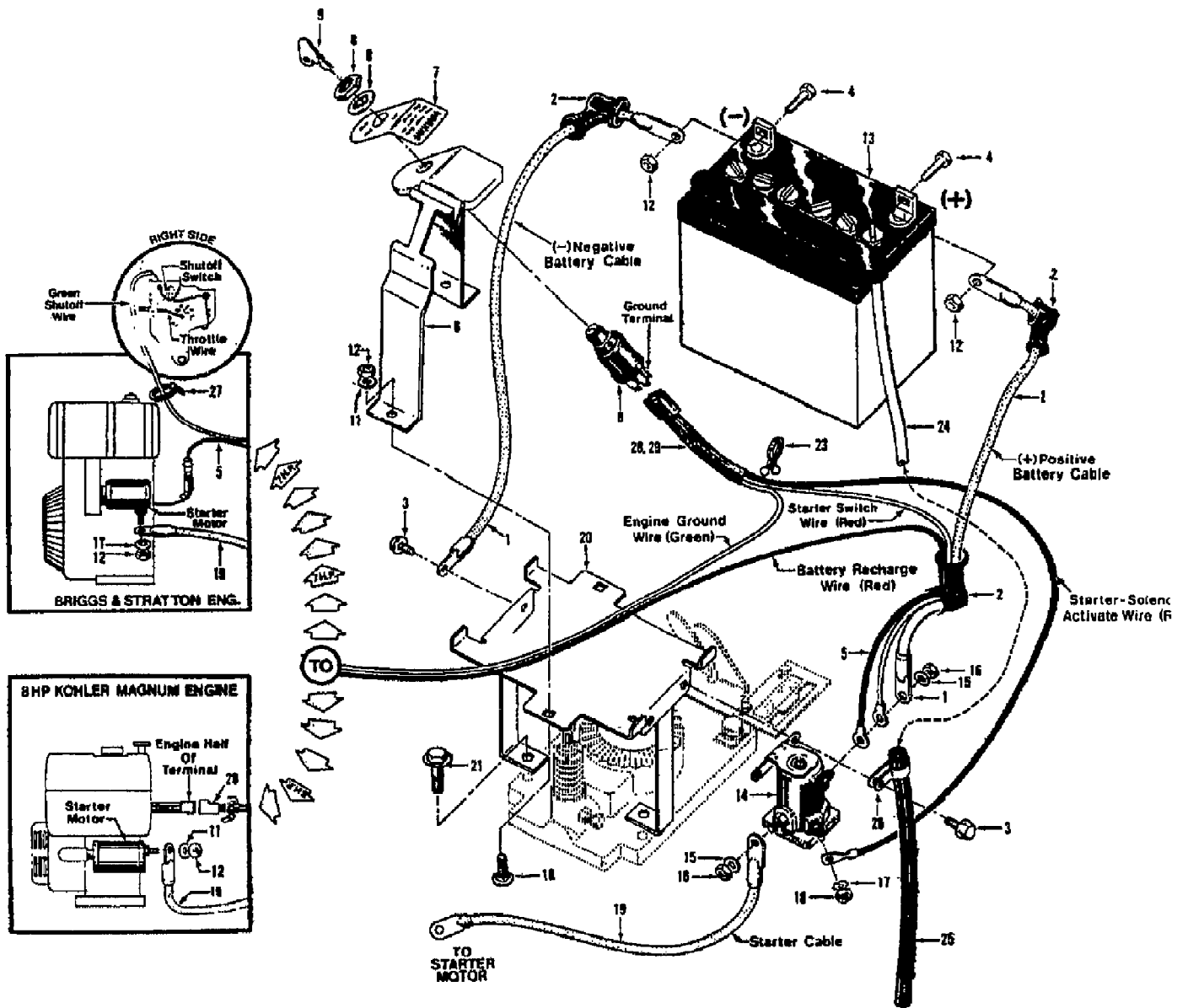


HORSE-OPC (7&8HP) (S/N 00940750-UP)  
DEPTH REGULATOR & TINE HOOD ASSEMBLIES

Page 2 of 23

Ref #	Part Number	Qty	S/P/F	Description
1	GW-9712	1	S	SCR-HH 3/8-16X1.25
2	GW-1113-1	1	S	BUSHING-.5X.375X.3
3	GW-9913	1	S	WASHER-LK .375
4	GW-9802	1	S	NUT-HEX 3/8-16 ZP
5	GW-1117A	1	S	DEPTH REGULATOR W/KNOB (INCLUDES #9119 KNOB - REF.#7 AND #9120 RETAINING RING - REF.#6)
6	GW-9120	1	/P	RING-TOLERANCE .5325 ID
7	GW-9119	1	/P	KNOB-CONTROL
8	GW-1900867010	1	S	BAR-DRAG RED
9	GW-9552	1	S	SCR-HWH 1/4-20 X .5 STH (LOCKWASHER AND NUT NOT REQUIRED)
10	GW-90038	1	S	SCR-HFLK 5/16-18X.62 G5ZP
10	GW-90044	1	S	SCR-HFLK 5/16-18X.75 ZP
12	GW-9929	1	/P	WASHER-#1.125X.344 ZP
13	GW-2629	1		HOOD W/DECALS OPC SERVICE
14	GW-2719	1		DECAL-HOOD INST
15	GW-2527	1	/P	BRKT W/ROLL PIN (9308)
16	GW-9308	1	S	PIN-ROLL .25 X 1
17	GW-9534	1	/P	SPACER-.250X.343X.375
18	GW-9384	1	S	SPRING-TORSION
19	GW-9734	1	S	SCR-HH 1/4-20X1.0
20	GW-9811	1	S	NUT-LK 1/4-20
21	GW-90038	1	S	SCR-HFLK 5/16-18X.62 G5ZP

HORSE-OPC (7&8HP) (S/N 00940750-UP)  
ELECTRIC START SYSTEM (3 PRONG)

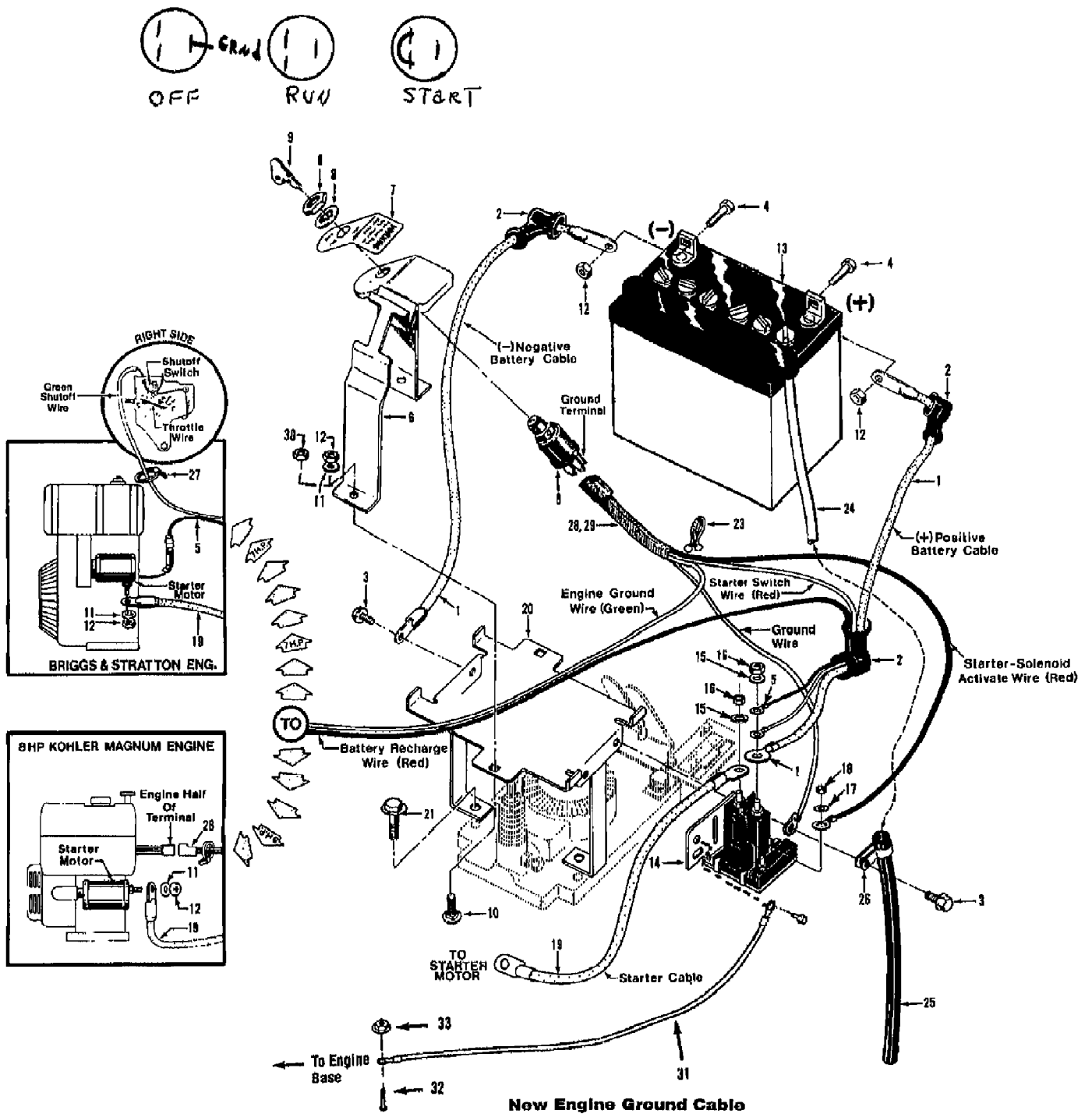


HORSE-OPC (7&8HP) (S/N 00940750-UP)  
ELECTRIC START SYSTEM (3 PRONG)

Page 4 of 23

Ref #	Part Number	Qty	S/P/F	Description
1	GW-96515	0	/P	CABLE-BATTERY 10"
2	GW-97020	0	/P	BOOT-BATTERY CABLE
3	GW-9552	0	S	SCR-HWH 1/4-20 X .5 STH
4	GW-9780	0	S	SCR-HH 1/4-20X.625
5	GW-2648	0	S	WIRE-RECHARGE 5&7 BRIGGS
6	GW-2616	0	S	CLAMP-KEYSWITCH W/DECAL OPC (INCL. #97127)
7	GW-97127	0		DECAL-KEYSWITCH
8	GW-9230	0		KEYSWITCH W/KEYS (INC. (2) 9, 1 LOCKWASHER & 1 MOUNTING NUT. N/A SEPARATELY)
9	GW-9243	0	S	KEYS(1 PAIR) FOR SWITCH
10	GW-9566	0	S	SCR-CARR 1/4-20X1.25
11	GW-9910	0	S	WASHER-LK .25 ZP
12	GW-9800	0	S	NUT-HEX 1/4-20 ZP
13	GW-9092B	0	S	BATTERY-12 VOLT HORSE
14	GW-1959	0	/P/F	KIT-SOL W/HDW
15	GW-9912	0	S	WASHER-LK .312 ZP
16	GW-9826	0	S	NUT-HEX 5/16-24
17	GW-9921	0	S	WASHER-EXTERNAL TOOTH 1
18	GW-9809	0	S	NUT-HH M10-32X.125
19	GW-96510	0	/P	CABLE-BATTERY 12"
20	GW-2571	0	/P	BRKT-BATTERY OPC PNT
21	GW-90047	0	S	SCR-HFLK 3/8-16X1.50
23	GW-9265	0	/P	TIE-TWIST LOCK
24	GW-9009	0	/P	TUBE-VENT BATTERY/HSE
25	GW-1475	0		TUBING-RUBBER
26	GW-9224	0		CLAMP
27	GW-9202	0	S	TIE-RED
28	GW-2647	0	F	ASSM-HARNESS 2647/20857
29	GW-2613	0	F	HARNESS-WIRE 3.5

HORSE-OPC (7&8HP) (S/N 00940750-UP)  
ELECTRIC START SYSTEM (5 PRONG)

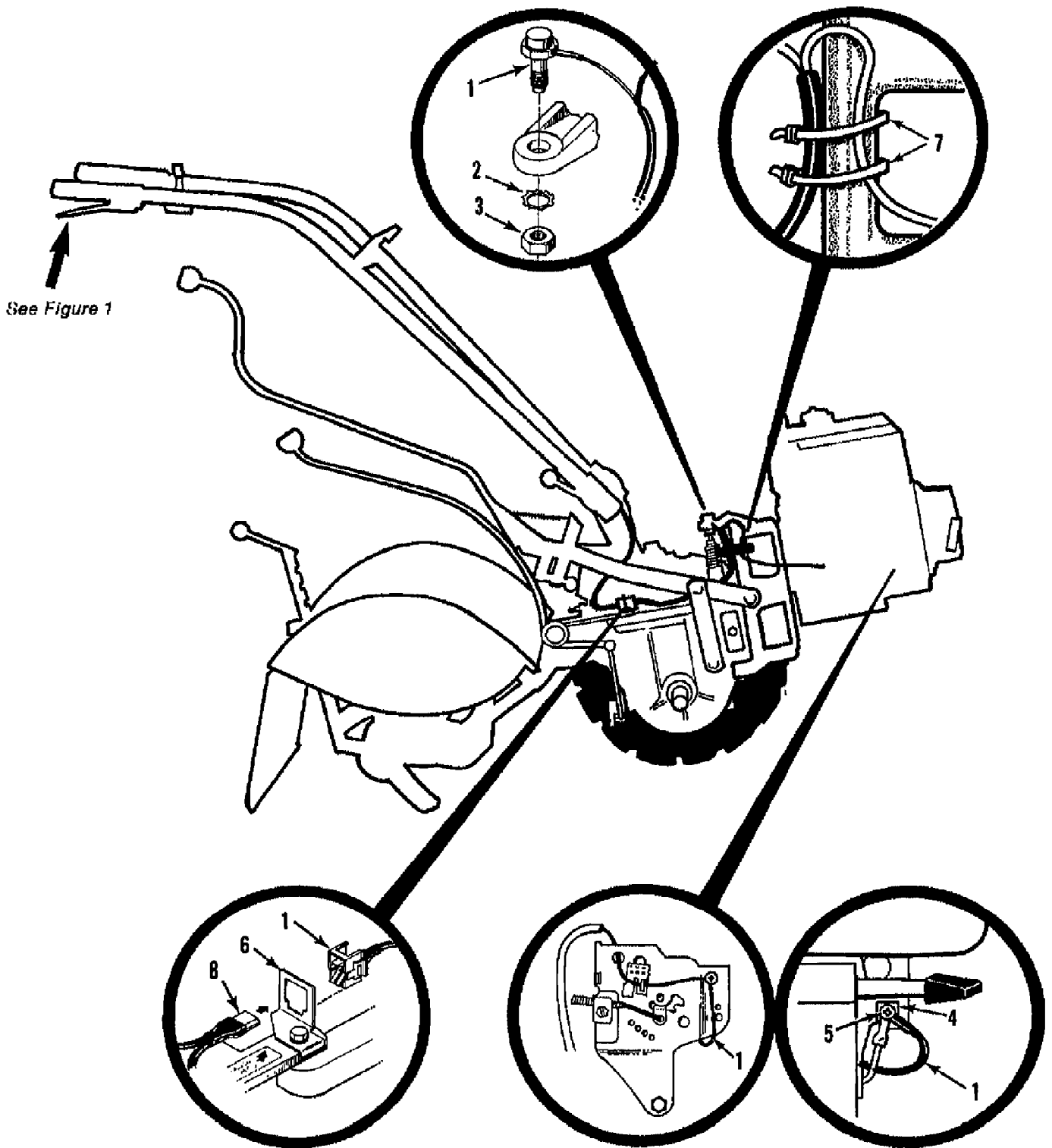


HORSE-OPC (7&8HP) (S/N 00940750-UP)  
ELECTRIC START SYSTEM (5 PRONG)

Page 6 of 23

Ref #	Part Number	Qty	S/P/F	Description
1	GW-96515	0	/P	CABLE-BATTERY 10"
2	GW-97020	0	/P	BOOT-BATTERY CABLE
3	GW-9552	0	S	SCR-HWH 1/4-20 X .5 STH
4	GW-9780	0	S	SCR-HH 1/4-20X.625
5	GW-1554	0	S	WIRE-RECHARGE 5&7 BRIGGS (INCL. TERMINAL & EYELET)
6	GW-2616	0	S	CLAMP-KEYSWITCH W/DECAL OPC
7	GW-1900944	0	S	DECAL-KEYSWITCH TILLER
8	GW-1908112	0	S/F	ASSM-KEYSWITCH ELEC TLR
9	GW-96520	0	S	KEYS-IGN T/BLAZER 1 PAIR
10	GW-9566	0	S	SCR-CARR 1/4-20X1.25
11	GW-9910	0	S	WASHER-LK .25 ZP
12	GW-9800	0	S	NUT-HEX 1/4-20 ZP
13	GW-9092B	0	S	BATTERY-12 VOLT HORSE (INCL. #9009 VENT TUBE)
14	GW-96514	0	S	SOLENOID (INCL. NUTS & WASHERS FOR CABLES & WIRES)
15	GW-9912	0	S	WASHER-LK .312 ZP
16	GW-9826	0	S	NUT-HEX 5/16-24
17	GW-9921	0	S	WASHER-EXTERNAL TOOTH 1
18	GW-9809	0	S	NUT-HH M10-32X.125
19	GW-96510	0	/P	CABLE-BATTERY 12"
20	GW-2571	0	/P	BRKT-BATTERY OPC PNT
21	GW-90047	0	S	SCR-HFLK 3/8-16X1.50
23	GW-9265	0	/P	TIE-TWIST LOCK
24	GW-9009	0	/P	TUBE-VENT BATTERY/HSE
25	GW-1475	0		TUBING-RUBBER
26	GW-9224	0		CLAMP
27	GW-9202	0	S	TIE-RED
28	GW-1908118	0	S/F	KIT-WIRE HARNESS ASSM
29	GW-1908117	0	F	ASSM-WIRE HARNESS
30	GW-9844	0	S	NUT-HF/LK 1/4-20 ZP
31	GW-1901202	0	S/F	CABLE-BATTERY 15"
32	GW-90045	0	S	SCR-HFLK 5/16-18X1.00 ZP (FOR KOHLER ENGINE ONLY)
33	GW-9848	0	S	NUT-HFLK 5/16-18 ZP (FOR KOHLER ENGINE ONLY)

HORSE-OPC (7&8HP) (S/N 00940750-UP)  
FORWARD INTERLOCK SYSTEM



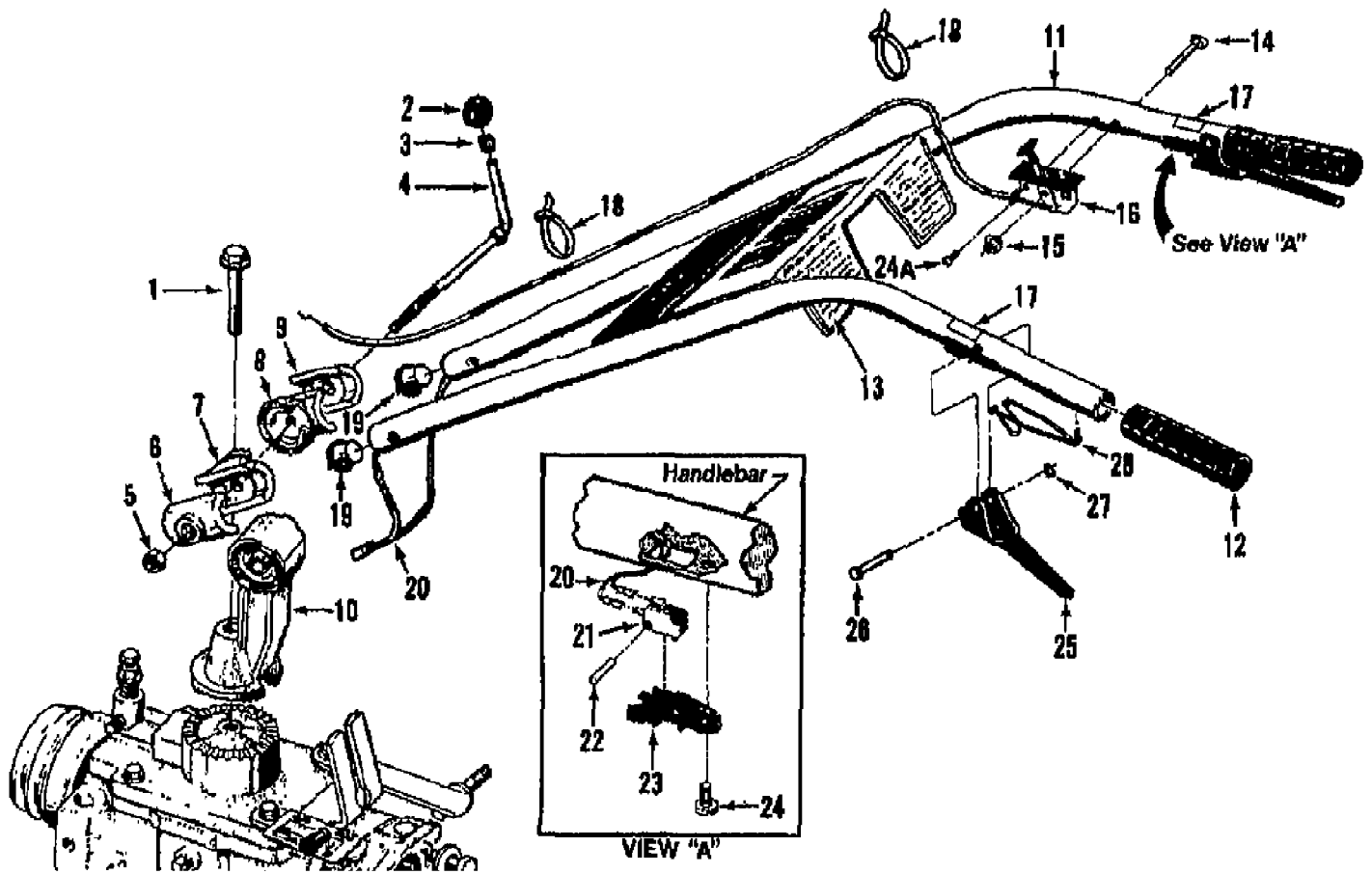
HORSE-OPC (7&8HP) (S/N 00940750-UP)  
 FORWARD INTERLOCK SYSTEM

Page 8 of 23

Ref #	Part Number	Qty	S/P/F	Description
1	GW-2552	0	/P/F	HARNESS-WIRE ENG OPC
2	GW-9971	0	/P	WASHER-LK .438 EXT TOOTH
3	GW-9851	0	S	NUT-HEX/JAM 7/16-20
4	N/A	0	F	GROMMET-7 T/L & 8 KOH OPC
5	N/A	0	F	SCR #8-18 SELF TAP
6	GW-9205	0	/P	CLIP-CONNECTOR
7	GW-9202	0	S	TIE-RED
8	GW-2551	0	/P	HARNESS-WIRE OPC HORSE



HORSE-OPC (7&8HP) (S/N 00940750-UP)  
HANDLE BAR ASSEMBLY

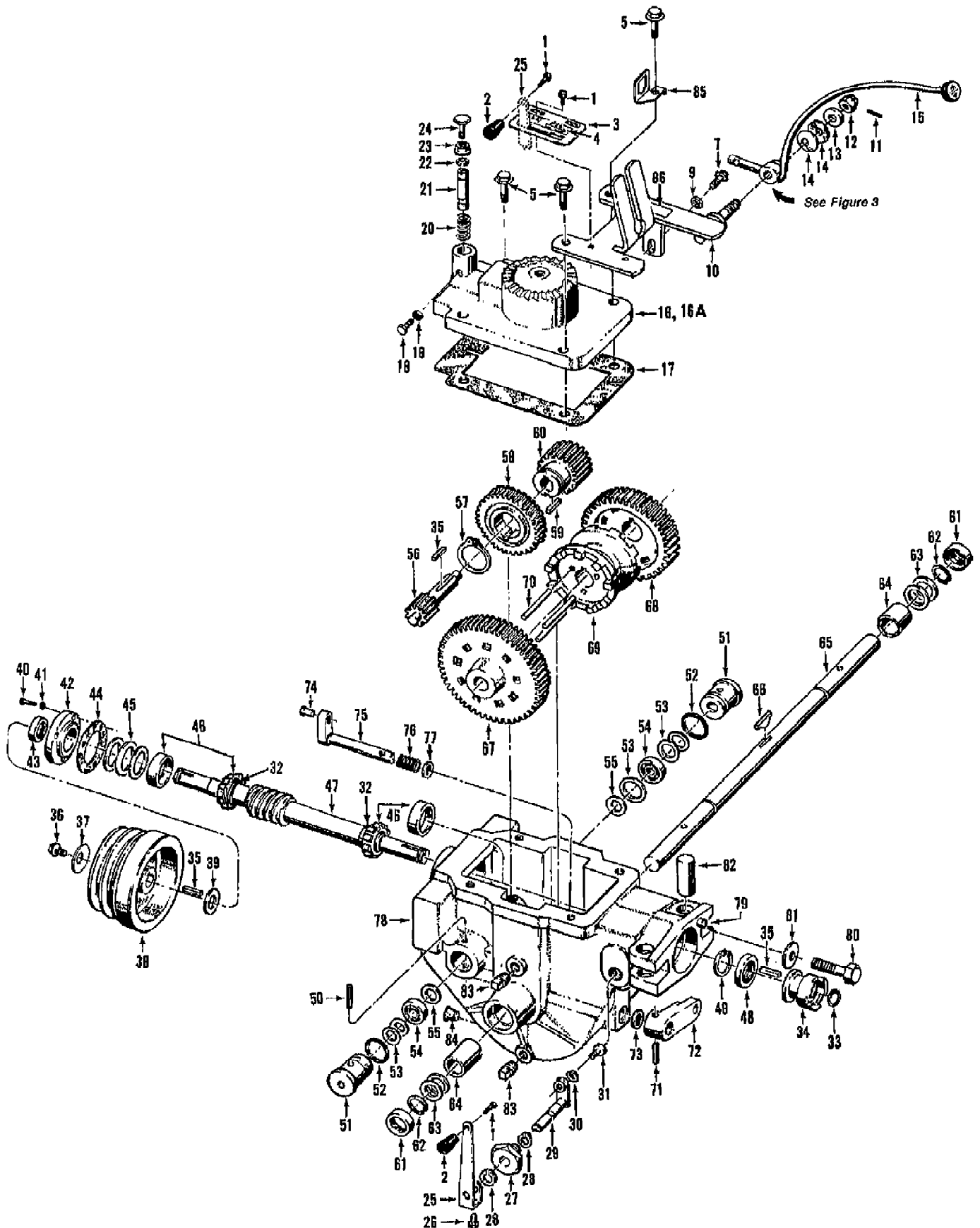


HORSE-OPC (7&8HP) (S/N 00940750-UP)  
HANDLE BAR ASSEMBLY

Page 10 of 23

Ref #	Part Number	Qty	S/P/F	Description
1	GW-9548	1	/P	BOLT 1/2-13X3.5 FH GR5
2	GW-9119	1	/P	KNOB-CONTROL
3	GW-9120	1	/P	RING-TOLERANCE .5325 ID
4	GW-1881	1	/P	STUD-H/BAR W/NUT & RING (Inc. #'s 2,3,13)
5	GW-9803	1	S	NUT-HEX JAM 1/2-13
6	GW-1900854010	1	S	CLAMP-LH HORSE 1021-1
7	GW-1900856010	1	S	RATCHET-H/BAR RED 2542-1
8	GW-1900857010	1	S	RATCHET-RH RED HORSE 2542-2
9	GW-1900855010	1	S	CLAMP-RH HORSE 1021-2
10	GW-1900858010	1	S	BASE-H/BAR RED 2534A
11	GW-2704	1	/P	ASSM-HANDLEBAR W/GRIPS (Inc. 2 ea. 12 & 17, 1 #13)
12	GW-9125	1	S	GRIP-H/BAR SMOOTH
13	GW-2715	1	/P	DECAL-CONTROL PANEL HORSE
14	GW-9547	1	/P	BOLT-CH 1/4-20X2.00 ZP
15	GW-9844	1	S	NUT-HF/LK 1/4-20 ZP
16	GW-9649	1		CABLE-THROTTLE 7HP TECUMSEH ENGINE ONLY
16	GW-9444	1	S	CABLE-THROTTLE BRIGGS & STRATTON ENGINE ONLY
16	GW-9650	1		CABLE-THROTTLE 8HP KOHLER ENGINE ONLY
17	GW-1900763	1		DECAL-FWD INTERLOCK
18	GW-9202	1	S	TIE-RED
19	GW-9219	1	/P	RETAINER-HARNESS H/B OPC
20	GW-2551	1	/P	HARNESS-WIRE OPC HORSE
21	GW-9250	1	S	SWITCH-H/B OPC
22	GW-9385	1	/P	PIN-LK .11X.58 HORSE OPC
23	GW-2543	1	S	HOUSING-SWITCH OPC
24	GW-90039	1		SCR-HW M10-24X.5 STH ZP
24	GW-9733	1	/P	SCR-PHS M10-32X.5 STH ZP
25	GW-2546	1	S	LEVER-HORSE OPC
26	GW-9199	1	/P	PIN-PIVOT OPC LEVER
27	GW-9514	1	/P	RING-KLIP 5304-25
28	GW-9387	1	/P	SPRING-H/B LEVER

HORSE-OPC (7&8HP) (S/N 00940750-UP)  
POWER UNIT TRANSMISSION ASSEMBLIES



HORSE-OPC (7&8HP) (S/N 00940750-UP)  
POWER UNIT TRANSMISSION ASSEMBLIES

Page 12 of 23

Ref #	Part Number	Qty	S/P/F	Description
	GW-1360A	0	S	OIL
1	GW-9782	0	S	SCR 10-32
2	GW-9463	0	/P	KNOB-TAPERED
3	GW-2263	0	/P	PLATE-TINE ENGAGE W/DECAL
4	GW-1900758	0	S	DECAL-TINE ENGAGE
5	GW-90047	0	S	SCR-HFLK 3/8-16X1.50
7	GW-90044	0	S	SCR-HFLK 5/16-18X.75 ZP
9	GW-9902	0	S	WASHER-FLAT 5/16 SAE
10	GW-1900870010	0	S	BRKT-H HOOD 2149
11	GW-9362	0	/P	PIN-SPRING .125 X 1
12	GW-9838	0		NUT-HEX 1/2-20 (CALL TECHNICAL SERVICE DEPARTMENT FOR TIGHTENING INSTRUCTIONS)
13	GW-9934	0	/P	WASHER-# SHOULDER ZP (SHOULDER FACES DISC WASHERS)
14	GW-9932	0	/P	WASHER-# 1.97X1X.118 (CONCAVE SURFACES FACE EACH OTHER)
15	0	0		LEVER (FOR REFERENCE ONLY)
16	GW-1900869010	0	S	COVER-TRANS RED 2523
16A	GW-2566	0	/P	ASSM-TRANS COVER OPC
17	GW-1123	0	/P	GASKET-TRANS COVER
18	GW-90008	0	S	SCR-HH 5/16-18X1.0 G5 ZP (REMOVE WITH CARE)
?19	GW-9801	0	S	NUT-HEX 5/16-18 ZP
20	GW-1901439	0	S	SPRING-REV PLUNGER ZP (REMOVE WITH CARE)
21	GW-1035	0	/P	ASSM-NEUTRAL PLUNGER (REMOVE WITH CARE)
22	GW-1901440	0	S	RING-KLIP EXT .594 ID ZP
23	GW-9831	0	S	NUT-HFLK 3/8-16 ZP
24	GW-9545	0	S	SCR 3/8-16X1.5 UNC-2AG
25	GW-1900878010	0	S	LEVER-ECCENTRIC RED
26	GW-9743	0	S	SCR-HH 1/4-20X.5 GR5 YEL
27	GW-2123	0	S	BUSHING-.87X.5X.62 ECC
28	GW-9516	0	/P	RING-RETAINING 5100-50
29	GW-2461	0	/P	SHAFT-WELD ECCENTRIC
30	GW-9911	0	/P	WASHER-LK .25 HI-COLLAR
31	GW-9672	0	S	SCR-HXSKT 1/4-20X.38 G8
32	GW-1138-1	0	S	SHIM-1.0X.7656X.062
33	GW-9500	0	S	RING-RETAIN EXT .707 ID
34	GW-2120-3	0	S	KIT-CLUTCH DOGS TILLER
35	GW-9301	0	S	KEY-.188 SQX1.0
36	GW-9655	0	S	SCR-HH 5/16-24X.75 G5 ZP
37	GW-9944	0	S	WASHER-.827X.331X.098
38	GW-2107	0	/P	PULLEY-TRANS MACH
39	GW-50027	0	/P	WASHER-SHLDR HARDENED
40	GW-9701	0	S	SCR-HH 1/4-20X.75 G5 ZP
41	GW-9910	0	S	WASHER-LK .25 ZP
42	GW-1900879010	0		COVER-FRONT
43	GW-85030	0	S	SEAL-PINION SHAFT PT/85030/00

HORSE-OPC (7&8HP) (S/N 00940750-UP)  
POWER UNIT TRANSMISSION ASSEMBLIES

Page 13 of 23

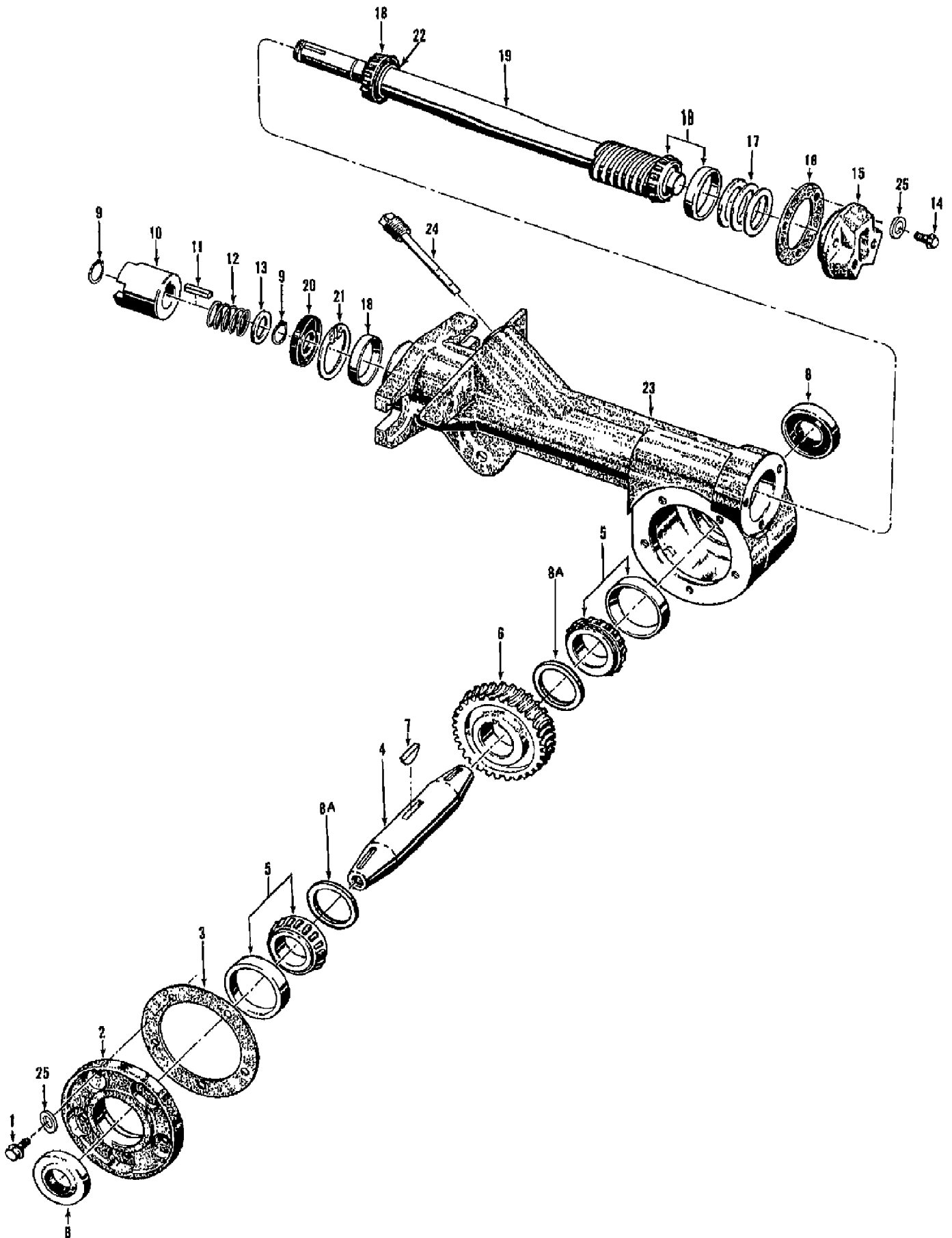
Ref #	Part Number	Qty	S/P/F	Description
44	GW-1124-2	0	S	GASKET-BRG COVER
45	GW-1224-1	0	S	SHIM-1.75X1.5X.01
45	GW-1224-2	0	S	SHIM-1.75X1.5X.03
45	GW-1224-3	0	S	SHIM-1.75X1.5X.005
45	GW-1224-4	0	S	SHIM-1.75X1.5X.062
46	GW-1714	0	S	KIT-BRG CONE&RACE-DRIVESHAFT
47	GW-11601	0		KIT-WHEELDRIVE ROLL/WORM
48	GW-9617	0	S	SEAL-OIL DRIVESHAFT
49	GW-9517	0	S	RING-RETAINING 5000-181
50	GW-9309	0	S	PIN-SPIROL .25 X 2.0
51	GW-1060A	0	/P	PLUG-PINION BRG W/RING
52	GW-9604	0	/P	RING-O 1 ID
53	GW-1132-1	0	/P	SHIM-1.234X1.015X.033
53	GW-1132-2	0	/P	SHIM-1.234X1.015X.062 (RIGHT SIDE ONLY,1132- 1 SHIM ALSO USED BETWEEN BEARING & WASHER)
53	GW-1132-3	0	/P	SHIM-1.234X1.015X.01
54	GW-9404	0	/P	BRG-BALL (7 BALLS)
55	GW-1126	0	/P	WASHER-# 1X.484X.06
56	GW-1222	0	/P	GEAR-SPLINE 10 TEETH MACH
57	GW-9502	0	/P	RING-RETAINING 5100-150
58	GW-2656	0	/P	GEAR-WORM MACH
59	GW-9300	0	/P	KEY
60	GW-1233	0	/P	GEAR-SPUR 20 TEETH MACH
61	GW-9621	0	S	SEAL-OIL WHEELSHAFT
62	GW-9511	0	S	RING-HEAVY EXT .906 ID
63	GW-1166-1	0	S	SHIM-1.375X1.015X.062
63	GW-1166-2	0	/P	SHIM-1.375X1.015X.03
63	GW-1166-3	0	/P	SHIM-1.375X1.015X.015
63	GW-1166-4	0	S	SHIM-1.375X1.015X.01
63	GW-1166-5	0	S	SHIM-1.375X1.015X.005
64	GW-1086	0	S	BUSHING-1.25X1.005X1.5
65	GW-1878	0	/P	KIT-WHEELSHAFT
66	GW-9357	0	S	KEY-HI PRO .25X1.812
67	GW-1223	0	/P	GEAR-SPUR 56 TEETH MACH
68	GW-1232	0	/P	GEAR-SPUR 46 TEETH MACH
69	GW-1237	0	/P	CLUTCH-MACH
70	GW-1112	0	/P	PIN-CLUTCH .25 2.65
71	GW-9307	0	S	PIN-SPIROL .188 X 1.25
72	GW-1900880010	0	S	LEVER-ECC. #1029
73	GW-9622	0	S	SEAL-OIL ECCENTRIC
74	GW-1442	0	S	PIN-.375 X .72
75	GW-2712	0	S	SHAFT-ECCENTRIC HORSE TLR
76	GW-1441	0	/P	SPRING .845 X 1.25
77	GW-1440	0	S	WASHER # .875 X .65 X .06
78	GW-2260	0	S	CASE-TRANS W/PIN (CALL FACTORY TECHNICAL SERVICE DEPARTMENT BEFORE ORDERING)
79	GW-9359	0	/P	PIN-DRIVE .375X.75 ZP
80	GW-9560	0	S	SCR-HH 1/2-13X2.0 G5 ZP
81	GW-9928	0	/P	WASHER-DISC SPRING
82	GW-2126	0		POST (TC)

HORSE-OPC (7&8HP) (S/N 00940750-UP)  
POWER UNIT TRANSMISSION ASSEMBLIES

Page 14 of 23

Ref #	Part Number	Qty	S/P/F	Description
83	GW-9726	0	S	PLUG-PIPE 1/4 NPT
84	GW-9122	0	/P	PLUG-CAP (RED)
85	GW-9205	0	/P	CLIP-CONNECTOR
86	GW-1900759	0	S	DECAL-FWD INTERLOCK WIRE

HORSE-OPC (7&8HP) (S/N 00940750-UP)  
TILLER ATTACHMENT TRANSMISSION ASSEMBLIES



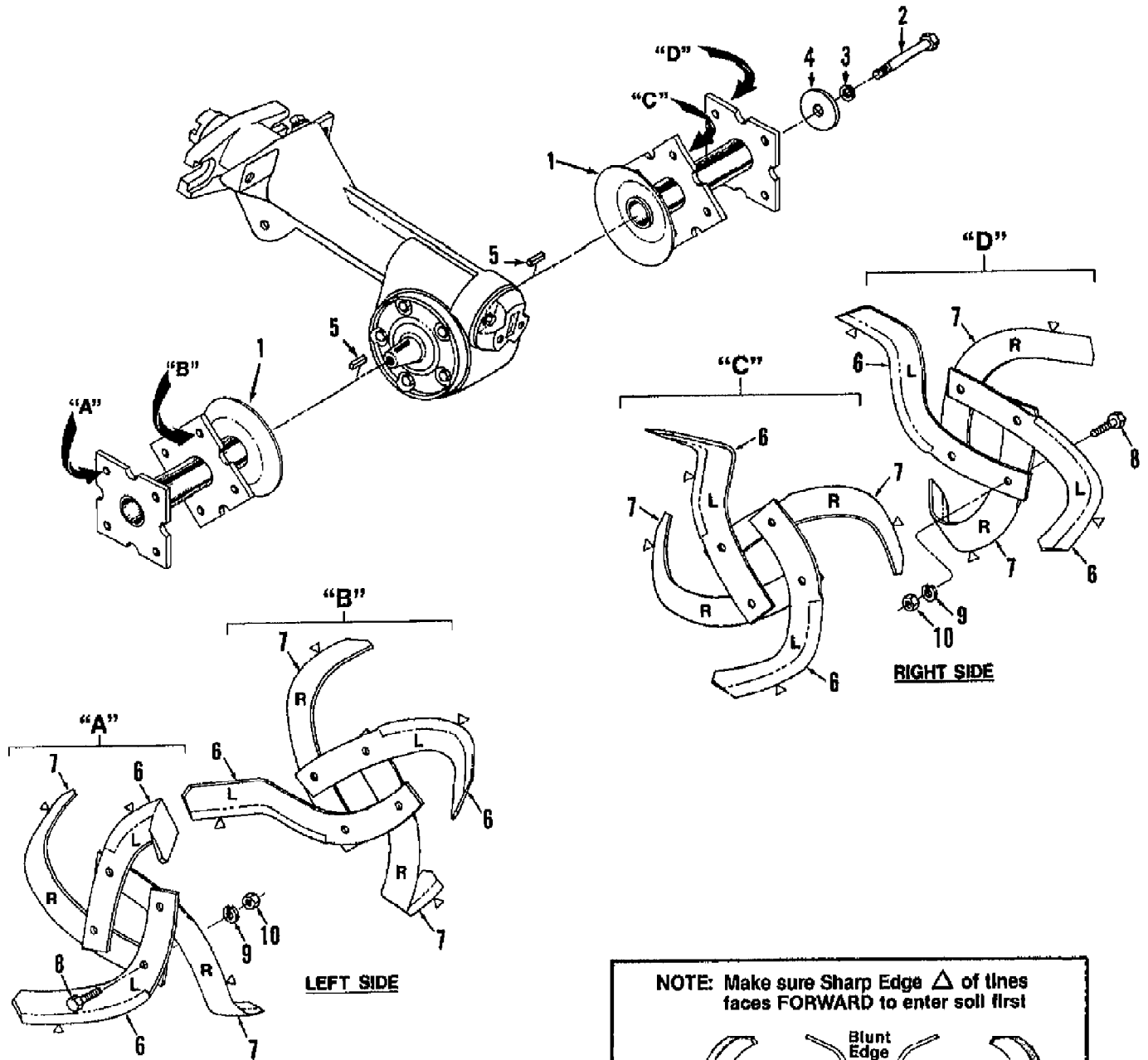
HORSE-OPC (7&8HP) (S/N 00940750-UP)  
TILLER ATTACHMENT TRANSMISSION ASSEMBLIES

Page 16 of 23

Ref #	Part Number	Qty	S/P/F	Description
	GW-1360A	0	S	OIL
1	GW-1908211	0		SCR-HXSKT 1/4-20X.625
2	GW-2451	0	S	COVER-W/SCRS(TLR) (9780)
3	GW-1129-1	0	S	GASKET-TILLER COVER
3	GW-1129-2	0	S	GASKET-TILLER COVER
4	GW-1026	0	S	SHAFT-TILLER
5	GW-11522	0		KIT-BEARING CUP & CONE
6	GW-2654	0		GEAR-WORM MACH
7	GW-97067	0		KEY-WOODRUFF .250X1.01
8	GW-9618	0	S	SEAL-OIL TILLERSHAFT
8A	GW-94017	0		WASHER-1.75X1.260X.054
9	GW-9500	0	S	RING-RETAIN EXT .707 ID
10	GW-2120-1	0	S	KIT-CLUTCH DOGS TILLER
11	GW-9301	0	S	KEY-.188 SQX1.0
12	GW-2127	0	/P	SPRING (TC)
13	GW-1138-1	0	S	SHIM-1.0X.7656X.062
14	GW-1908212	0	S	SCR-HFLK 1/4-20X.87
15	GW-1900881010	0	S	CAP-REAR #1115
16	GW-1124-2	0	S	GASKET-BRG COVER
17	GW-1224-1	0	S	SHIM-1.75X1.5X.01
17	GW-1224-2	0	S	SHIM-1.75X1.5X.03
17	GW-1224-3	0	S	SHIM-1.75X1.5X.005
17	GW-1224-4	0	S	SHIM-1.75X1.5X.062
18	GW-1714	0	S	KIT-BRG CONE&RACE-DRIVESHAFT
19	GW-11602	0	/P	KIT-TILLER DR SHAFT (INCL. 18)
20	GW-9617	0	S	SEAL-OIL DRIVESHAFT
21	GW-9517	0	S	RING-RETAINING 5000-181
22	GW-1138-1	0	S	SHIM-1.0X.7656X.062
23	GW-2206	0		HSG-TLR ATT W/SLEEVE/RACEH3 (INCL. 5)
24	GW-2136	0		ASSM-OIL DIPSTICK
25	N/A	0	F	WASHER, NYLON 1/4". NOT REUSABLE.



HORSE-OPC (7&8HP) (S/N 00940750-UP)  
TINE ASSEMBLIES



**NOTE: Make sure Sharp Edge  $\Delta$  of tines faces FORWARD to enter soil first**

**LEFT HAND TINE      RIGHT HAND TINE**  
(As viewed with blunt edge facing you.)

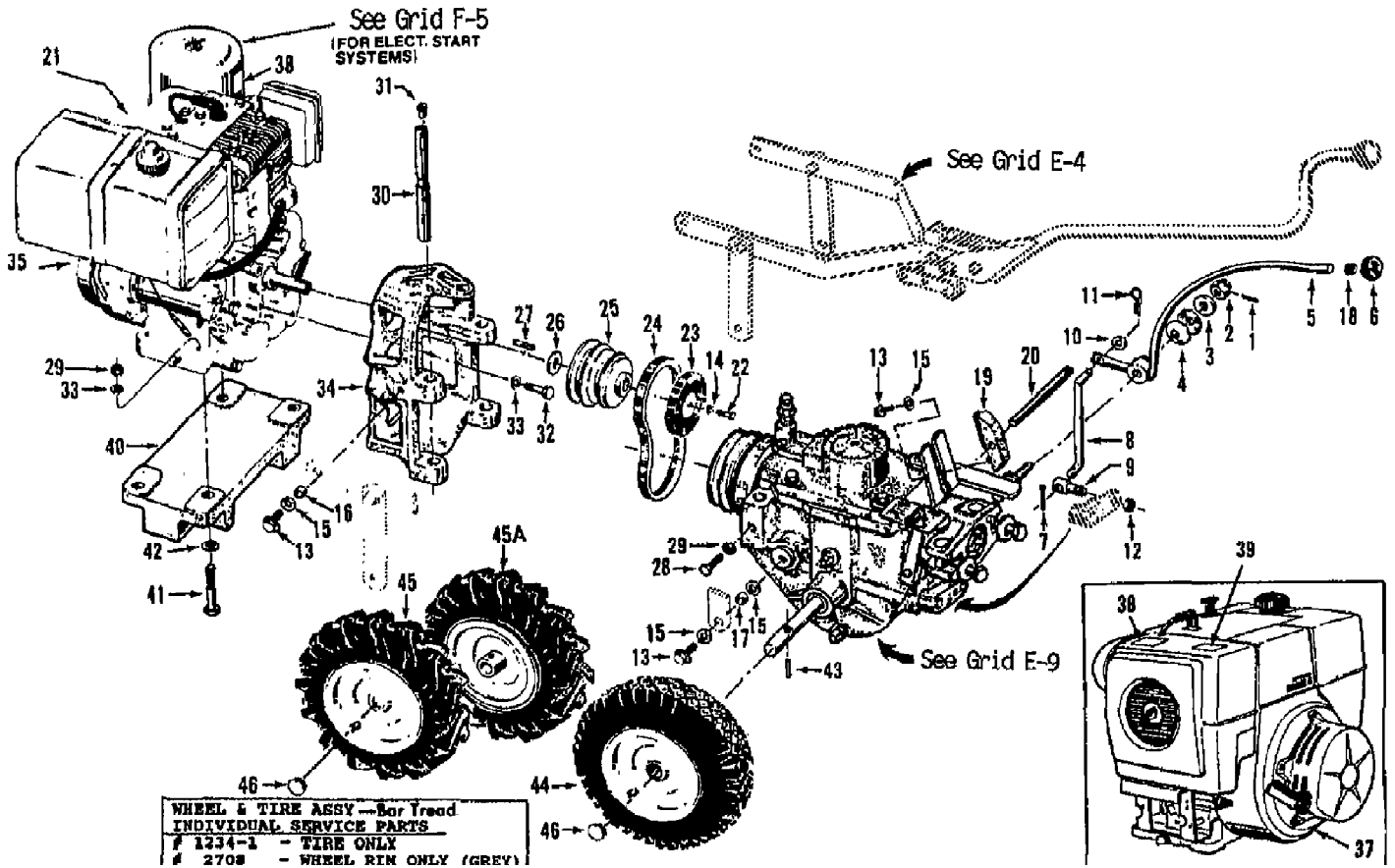
HORSE-OPC (7&8HP) (S/N 00940750-UP)  
TINE ASSEMBLIES

Page 18 of 23

Ref #	Part Number	Qty	S/P/F	Description
1	GW-1900871010	0		HOLDER-TINE RED
2	GW-9669	0		SCR-HH 1/2-20X4.75 GR5
3	GW-9914	0	S	WASHER-LK .5
4	GW-9952	0		WASHER-1.5X.531X.187
5	GW-9301	0	S	KEY-.188 SQX1.0
6	GW-1270-1A	0	S	TINE-BOLO LT W/HDW
7	GW-1270-2A	0	S	TINE-BOLO RT W/HDW
8	GW-9711	0	S	SCR-HH 3/8-16X1.0 G5 ZP
9	GW-9913	0	S	WASHER-LK .375 @ DEPL
10	GW-9802	0	S	NUT-HEX 3/8-16 ZP
	GW-1901118	0	F	TINES-BOLO HORSE/PONY/ECONO
	GW-1245K	0	S	TINES-BOLO HORSE/PONY/ECONO
	GW-10355	0	F	KIT-TINE HOLDER W/HDW
	GW-10802	0	/P/F	TINES-CUSTOM TILLING
	GW-2475-1	0	S/F	TINE-HARD FACED LT
	GW-2475-2	0	S/F	TINE-HARD FACED RT
	GW-9807	0	S	NUT-H/LK 3/8-16

HORSE-OPC (7&8HP) (S/N 00940750-UP)  
 WHEEL SPEED LEVER, BELT DRIVE, ENGINE & WHEELS

(Figure 3)



HORSE-OPC (7&8HP) (S/N 00940750-UP)  
WHEEL SPEED LEVER, BELT DRIVE, ENGINE & WHEELS

Page 20 of 23

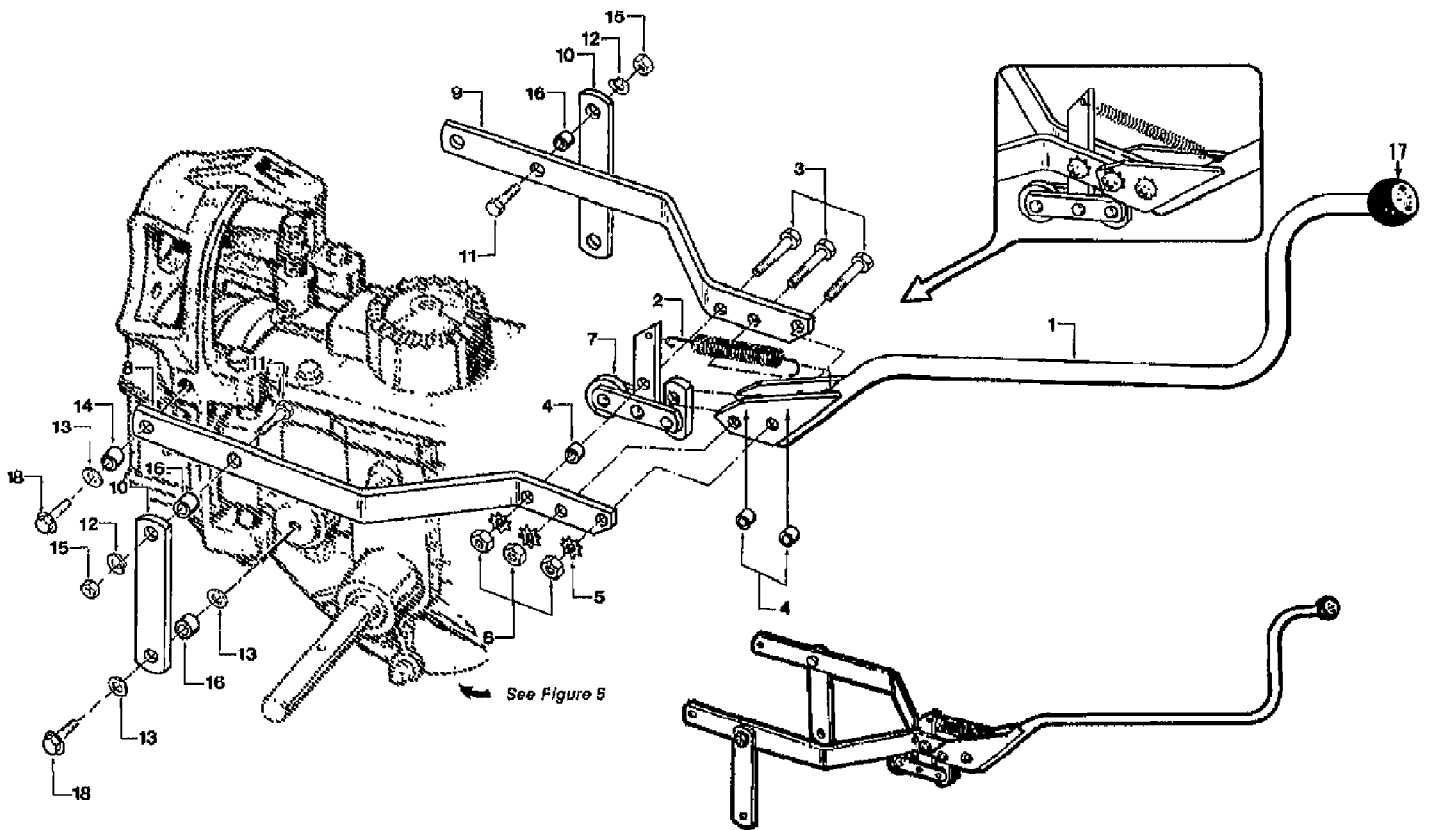
Ref #	Part Number	Qty	S/P/F	Description
	GW-1234-1	0	S	TIRE-BTT 4.80/4.00X8.00
	GW-2708	0		RIM-WHEEL 8" GRAY
1	GW-9362	0	/P	PIN-SPRING .125 X 1
2	GW-9838	0		NUT-HEX 1/2-20 (CALL TECHNICAL SERVICE DEPARTMENT FOR TIGHTENING INSTRUCTIONS)
3	GW-9934	0	/P	WASHER-# SHOULDER ZP (SHOULDER FACES DISC WASHERS)
4	GW-9932	0	/P	WASHER-# 1.97X1X.118 (CONCAVE SURFACES FACE EACH OTHER)
5	GW-2628	0	/P/F	LVR-W/KNOB - WHEEL SPEED (INCLUDES REF.#6&18)
6	GW-2596	0	S	KNOB-WHEEL SPEED HORSE
7	GW-9317	0	/P	PIN-COTTER .094X1.0
8	GW-1231	0	/P	ROD-CONNECTING
9	GW-1033	0	/P	SWIVEL
10	GW-9902	0	S	WASHER-FLAT 5/16 SAE
11	GW-9338	0	S	PIN-CLIP .08
12	GW-9808	0	S	NUT-H/LK 5/16-18
13	GW-90046	0	S	SCR-HFLK 3/8-16X1.00 ZP
14	GW-9913	0	S	WASHER-LK .375 @ DEPL
15	GW-9904	0	S	WASHER-FLAT 3/8 SAE
16	GW-2146	0	/P	BUSHING-.5X.375X.325
17	GW-1113-1	0	S	BUSHING-.5X.375X.3
18	GW-9120	0	/P	RING-TOLERANCE .5325 ID
19	GW-1920	0	/P	KIT-ADJ BLOCK 4 SP (INCL. 13,15,20)
20	GW-2100	0	/P	BAR-ADJUST
21	GW-1900766	0		DECAL-STARTING STABIL (FOR B & S ENGINE)
22	GW-9715	0	S	SCR-HH 3/8-24X1.5 G5
23	GW-1919	0	/P	KIT-ADJ BLOCK/REV DISC (INCLUDES #1920 BELT ADJUSTMENT BLOCK REF.#19)
23	GW-2111	0	S	DISC-REV
24	GW-9245	0	/P	BELT-V (MADE FOR YOUR TILLER, NO SUBSTITUTE RECOMMENDED DUE TO EXTRA STRENGTH REQUIRED)
25	GW-1483	0	S	PULLEY-ENG MACH
26	GW-1138-1	0	S	SHIM-1.0X.7656X.062
26	GW-1138-2	0	S	SHIM-1.0X.7656X.031
27	GW-9303	0	/P	KEY-.188 SQ X 2.33
28	GW-90008	0	S	SCR-HH 5/16-18X1.0 G5 ZP
29	GW-9801	0	S	NUT-HEX 5/16-18 ZP
30	GW-1034	0	S	BAR-ENG MTG W/CAP PLUG
31	GW-9147	0	/P	PLUG-CAP (RED)
32	GW-9572	0	S	BOLT-HH 5/16-24X1.125 G5 ZP
33	GW-9912	0	S	WASHER-LK .312 ZP
34	GW-2565	0	S	MOUNT-MOTOR HSE OPC PNT

HORSE-OPC (7&8HP) (S/N 00940750-UP)  
WHEEL SPEED LEVER, BELT DRIVE, ENGINE & WHEELS

Page 21 of 23

Ref #	Part Number	Qty	S/P/F	Description
35	0	0	F	7 HP BRIGGS & STRATTON ENGINE - RECOIL START
35	0	0	F	7 HP BRIGGS & STRATTON ENGINE - ELECTRIC START
?36	0	0	F	8 HP BRIGGS & STRATTON ENGINE - RECOIL START
?36	0	0	F	8 HP BRIGGS & STRATTON ENGINE - ELECTRIC START
37	0	0	F	8 HP KOHLER MAGNUM ENGINE - RECOIL START
37	0	0	F	8 HP KOHLER MAGNUM ENGINE - ELECTRIC START
38	GW-55053	0		DECAL-HOT SURFACE
39	GW-1900767	0		DECAL-STABIL STARTING
40	GW-2522	0	/P	WEIGHT-ENG ECONO PNT
41	GW-9966	0	S	SCR-HH 5/16-18X2.25 G5ZP
42	GW-20553	0	/P	SPACER-.88X.385X.09 ZP
43	GW-9322	0	S	PIN-SPIROL .313 X 1.5
44	GW-9142	0	F	ASSM-STD TIRE
45	GW-9143	0	S	TIRE-LT BT GARDEN TRAC (WHITE)
45A	GW-9144	0	S	TIRE-RT BT GARDEN TRAC (WHITE)
45	GW-2709-01	0	S	ASSM-TIRE&WHEEL LH GRAY
45A	GW-2709-02	0	S	ASSM-TIRE&WHEEL RH GRAY
46	GW-9145	0	S	CAP-HUB BLK PLASTIC

HORSE-OPC (7&8HP) (S/N 00940750-UP)  
WHEELS/TIRES/PTO DRIVE LEVER ASSEMBLY



HORSE-OPC (7&8HP) (S/N 00940750-UP)  
WHEELS/TIRES/PTO DRIVE LEVER ASSEMBLY

Page 23 of 23

Ref #	Part Number	Qty	S/P/F	Description
1	GW-2574	0	S	ASSM-FOR/REV LEVER
2	GW-2163	0	S	SPRING-.436 X 3.25
3	GW-9466	0	S	SCR-HH 5/16-18X1.5 G5 ZP
4	GW-2447	0	/P	BUSHING-.5X.316X.375 PM
5	GW-9931	0	S	WASHER-LK .312 EXT TOOTH
6	GW-9801	0	S	NUT-HEX 5/16-18 ZP
7	GW-2232	0	S	ASSM-ROLLER PAINT
8	GW-1900468010	0	S	YOKE-LH RED
9	GW-1900469010	0	S	YOKE-RH RED
10	GW-1900860010	0	S	YOKE-RED 2164
11	GW-9710	0	S	SCR-HH 3/8-16X1.0 G5 ZP
12	GW-9913	0	S	WASHER-LK .375 @ DEPL
13	GW-9904	0	S	WASHER-FLAT 3/8 SAE
14	GW-2146	0	/P	BUSHING-.5X.375X.325
15	GW-9802	0	S	NUT-HEX 3/8-16 ZP
16	GW-1113-1	0	S	BUSHING-.5X.375X.3
17	N/A	0		KNOB (N/A SEPARATELY DUE TO SPECIAL PROCEDURE REQUIRED TO ATTACH KNOB TO LEVER)
18	GW-90046	0	S	SCR-HFLK 3/8-16X1.00 ZP