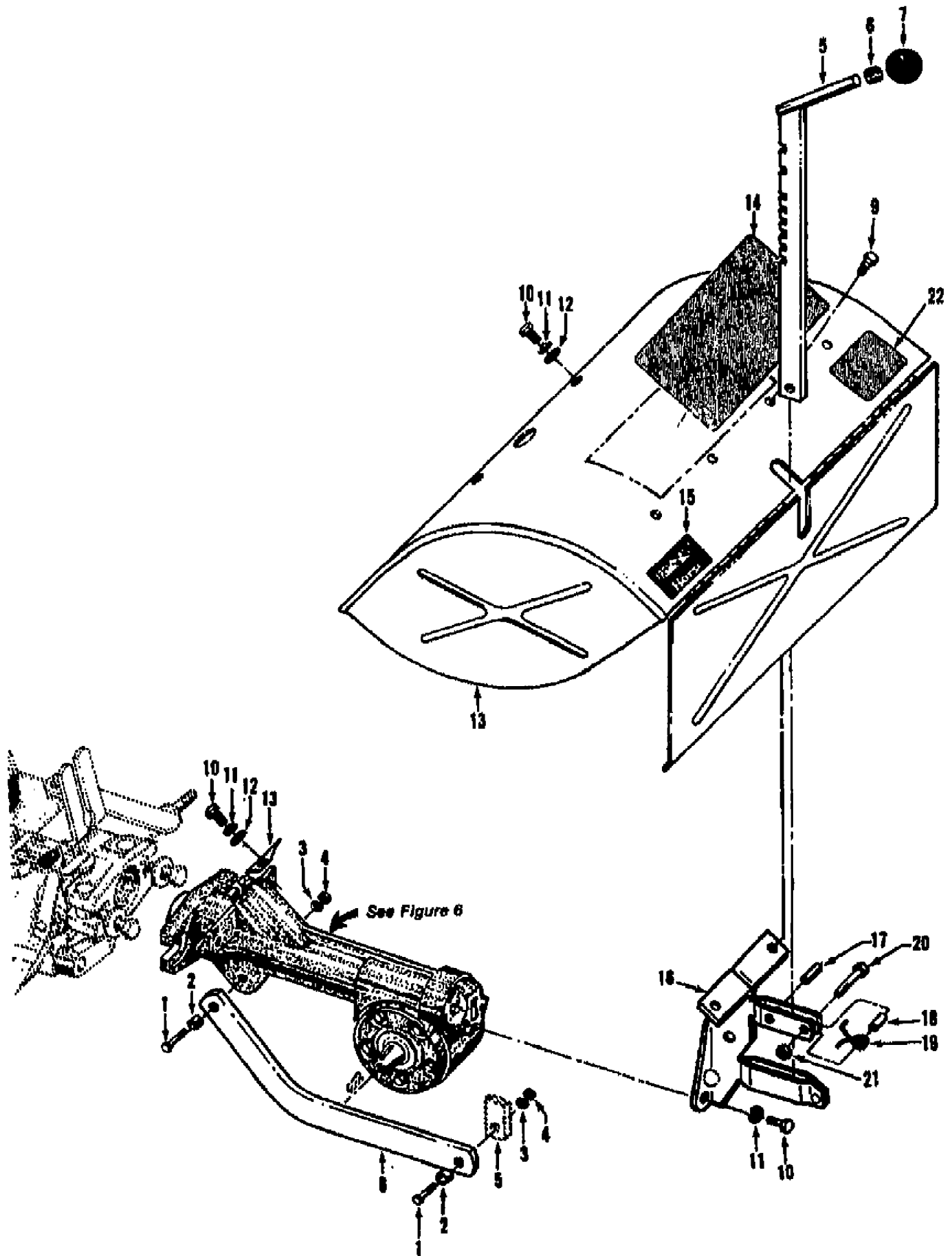


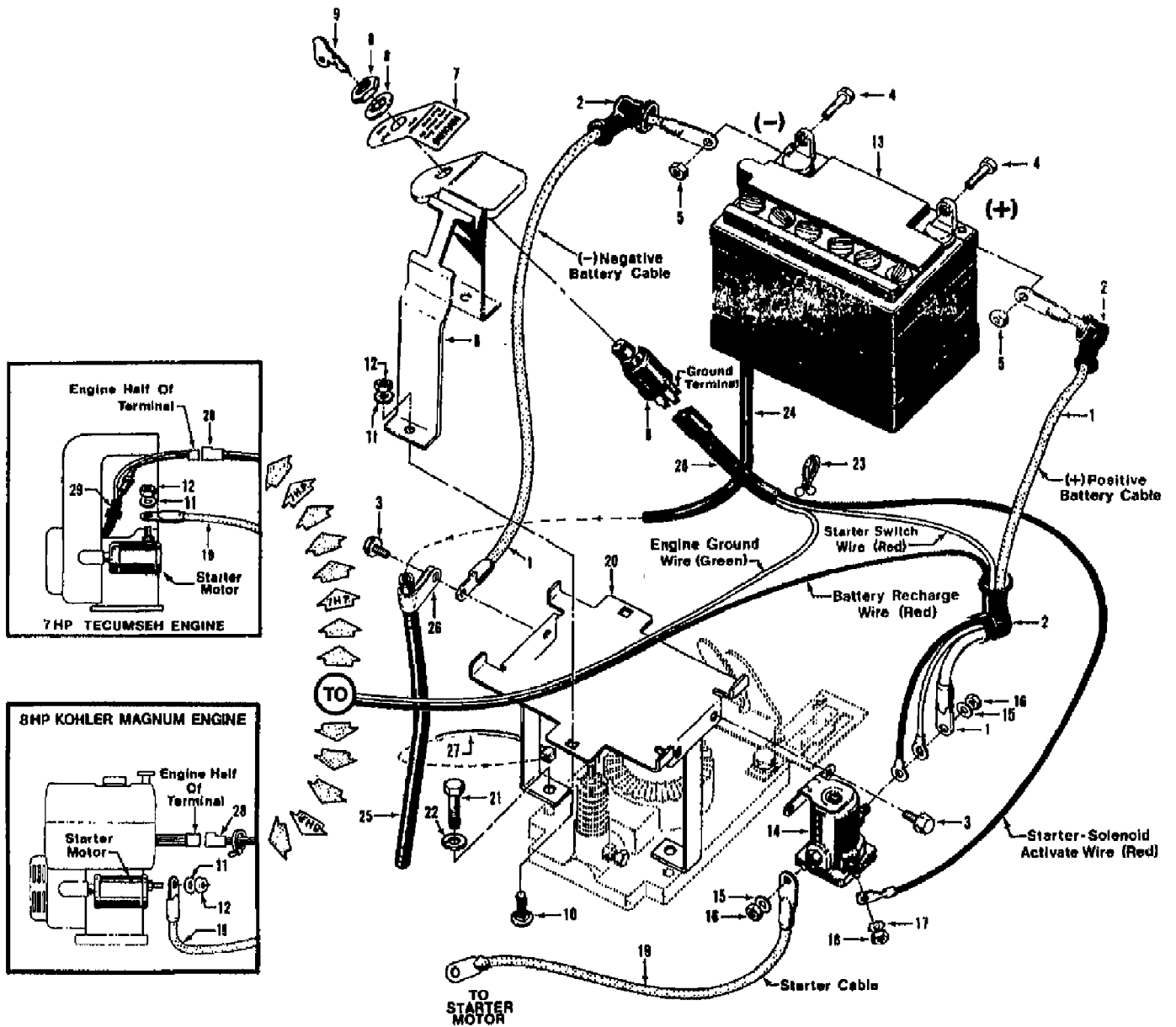
HORSE-OPC (7&8HP) (S/N 00855639-00864076)
DEPTH REGULATOR & TINE HOOD ASSEMBLIES



HORSE-OPC (7&8HP) (S/N 00855639-00864076)
DEPTH REGULATOR & TINE HOOD ASSEMBLIES

Page 2 of 21

Ref #	Part Number	Qty	S/P/F	Description
1	GW-9712	1	S	SCR-HH 3/8-16X1.25
2	GW-1113-1	1	S	BUSHING-.5X.375X.3
3	GW-9913	1	S	WASHER-LK .375 @ DEPL
4	GW-9802	1	S	NUT-HEX 3/8-16 ZP
5	GW-1117A	1	S	DEPTH REGULATOR W/KNOB (INCL., 7 & 6)
6	GW-9120	1	/P	RING-TOLERANCE .5325 ID
7	GW-9119	1	/P	KNOB-CONTROL
8	GW-2121	1	S	BAR-DRAG RED
9	GW-9552	1	S	SCR-HWH 1/4-20 X .5 STH (LOCKWASHER & NUT NOT REQUIRED)
10	GW-9703	1	S	SCR-HHC 5/16-18X.75 GR 5 ZP
11	GW-9912	1	S	WASHER-LK .312 ZP
12	GW-9929	1	/P	WASHER-#1.125X.344 ZP
13	GW-2629	1		HOOD W/DECALS OPC SERVICE (INCL. 14,15 & 22)
14	GW-2586	1	/P	DECAL-HOOD INST OPC
15	GW-2610	1	/P	DECAL-HORSE LOGO OPC (HORSE)
16	GW-2527	1	/P	BRKT W/ROLL PIN (9308) (INCL. 17)
17	GW-9308	1	S	PIN-ROLL .25 X 1
18	GW-9438	1	S	SPACER-.250X.343X.375
19	GW-9384	1	S	SPRING-TORSION
20	GW-9734	1	S	SCR-HH 1/4-20X1.0
21	GW-9811	1	S	NUT-LK 1/4-20
22	GW-20814	1		DECAL-TINE WARN SM FRAME

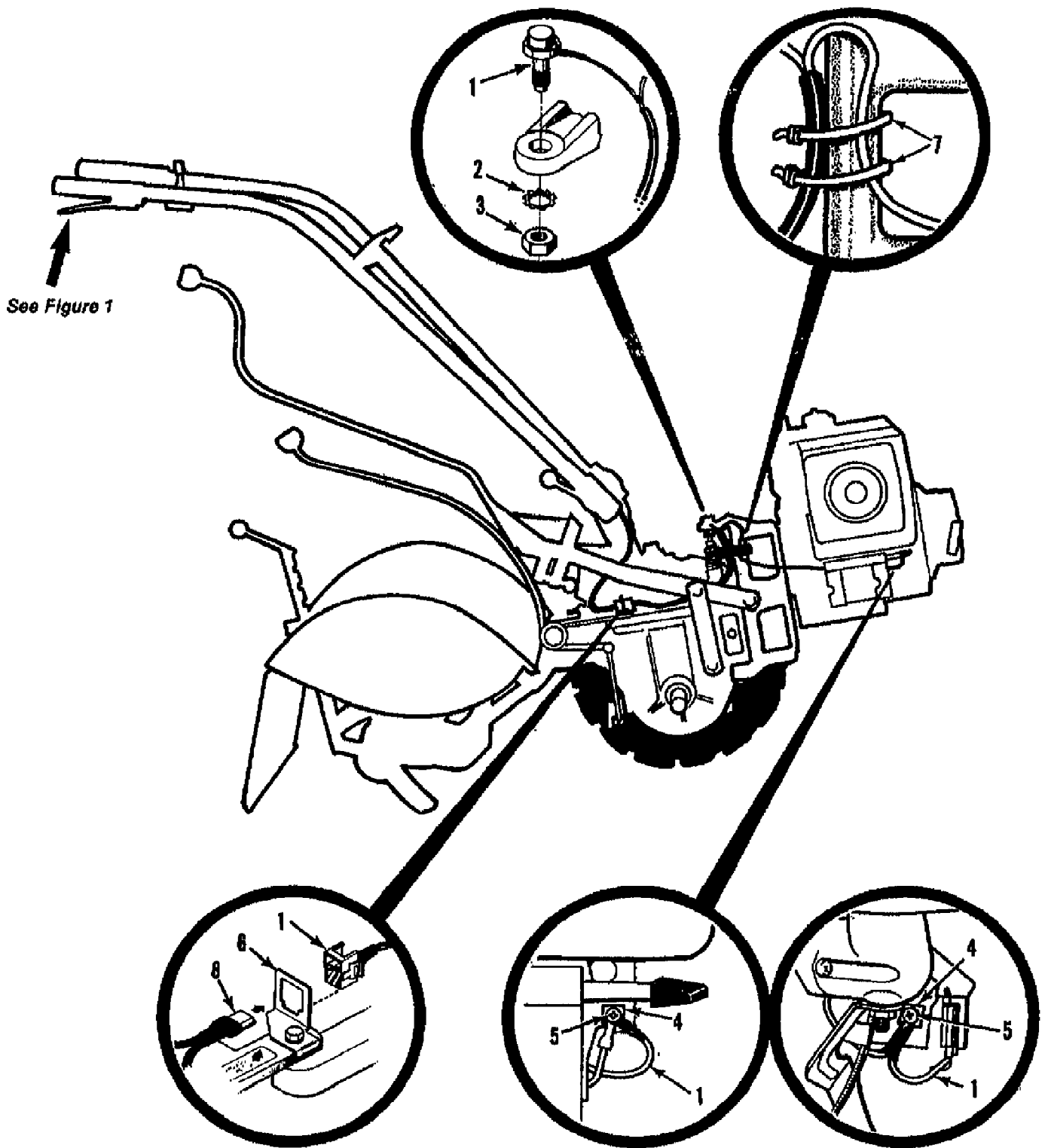


HORSE-OPC (7&8HP) (S/N 00855639-00864076)
ELECTRIC START SYSTEM

Page 4 of 21

Ref #	Part Number	Qty	S/P/F	Description
1	GW-9295	0	S	CABLE-BATTERY
2	GW-9255	0		BOOT
3	GW-9552	0	S	SCR-HWH 1/4-20 X .5 STH
4	GW-9703	0	S	SCR-HHC 5/16-18X.75 GR 5 ZP
5	GW-9801	0	S	NUT-HEX 5/16-18 ZP
6	GW-2616	0	S	CLAMP-KEYSWITCH W/DECAL OPC
7	GW-20820	0		DECAL-KEYSWITCH
8	GW-9230	0		KEYSWITCH W/KEYS
9	GW-9243	0	S	KEYS(1 PAIR) FOR SWITCH
10	GW-9565	0		SCR-CARR 1/4-20X1.5
11	GW-9910	0	S	WASHER-LK .25 ZP
12	GW-9800	0	S	NUT-HEX 1/4-20 ZP
13	GW-9092B	0	S	BATTERY-12 VOLT HORSE
14	GW-1959	0	/P	KIT-SOL W/HDW
15	GW-9912	0	S	WASHER-LK .312 ZP
16	GW-9826	0	S	NUT-HEX 5/16-24
17	GW-9921	0	S	WASHER-EXTERNAL TOOTH 1
18	GW-9809	0	S	NUT-HH M10-32X.125
19	GW-9223	0		CABLE-BATTERY
20	GW-2571	0	/P	BRKT-BATTERY OPC PNT
21	GW-9558	0		BOLT-HH 3/8-16X1.5 FTH ZP
22	GW-9913	0	S	WASHER-LK .375 @ DEPL
23	GW-9265	0	/P	TIE-TWIST LOCK
24	GW-9009	0	/P	TUBE-VENT BATTERY/HSE
25	GW-1475	0		TUBING-RUBBER
26	GW-9224	0		CLAMP
27	GW-9202	0	S	TIE-RED
28	GW-2613	0		HARNESS-WIRE 3.5
29	N/A	0		DIODE BATTERY RECHARGIN FOR TEC. ENGINE.

HORSE-OPC (7&8HP) (S/N 00855639-00864076)
FORWARD INTERLOCK SYSTEM

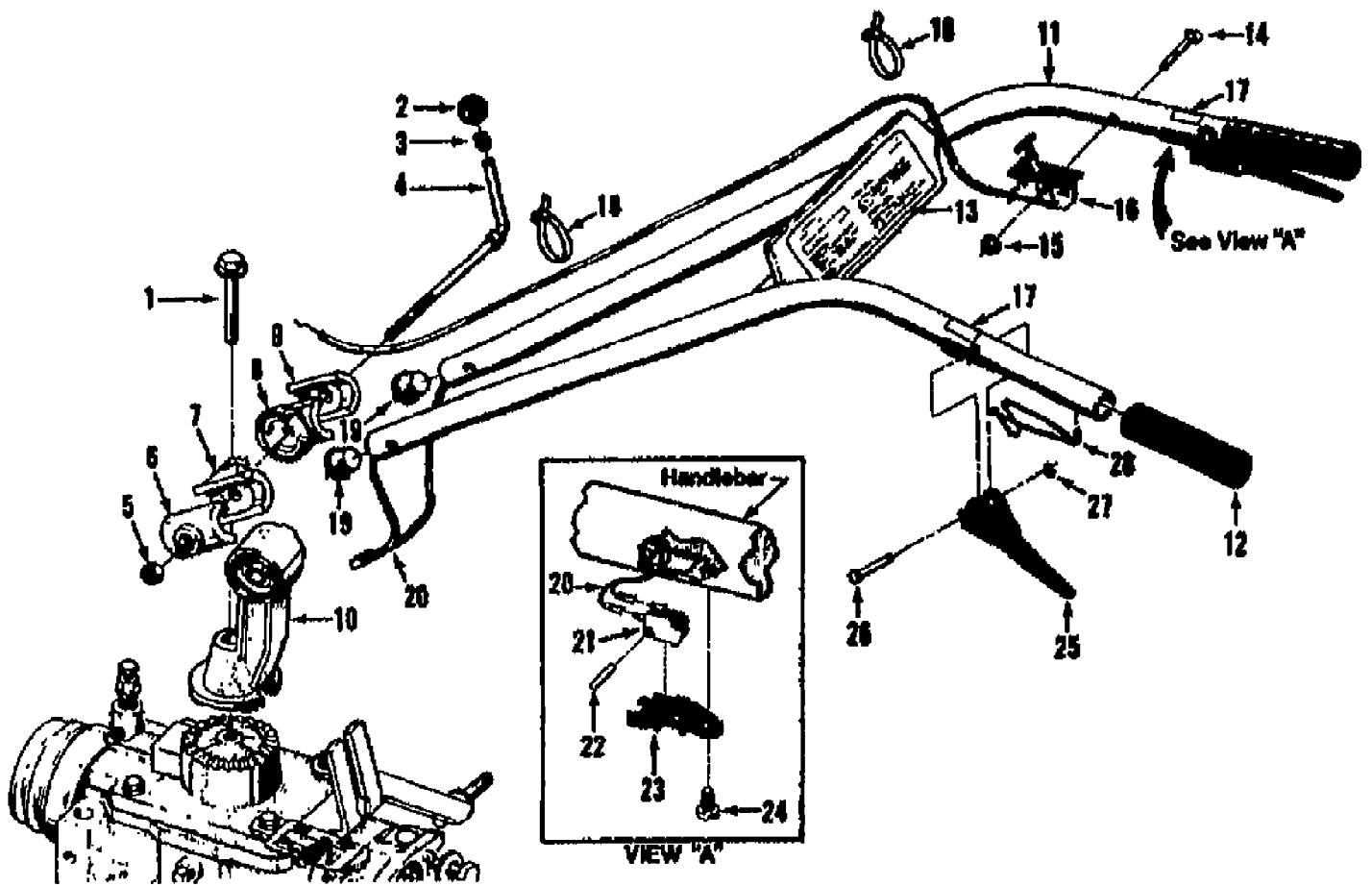


HORSE-OPC (7&8HP) (S/N 00855639-00864076)
 FORWARD INTERLOCK SYSTEM

Page 6 of 21

Ref #	Part Number	Qty	S/P/F	Description
1	GW-2552	0	/P	HARNESS-WIRE ENG OPC
2	GW-9971	0	/P	WASHER-LK .438 EXT TOOTH
3	GW-9851	0	S	NUT-HEX/JAM 7/16-20
4	N/A	0		GROMMET-7 T/L & 8 KOH OPC
5	N/A	0		SCREW
6	GW-9205	0	/P	CLIP-CONNECTOR
7	GW-9202	0	S	TIE-RED
8	GW-2551	0	/P	HARNESS-WIRE OPC HORSE

HORSE-OPC (7&8HP) (S/N 00855639-00864076)
HANDLE BAR ASSEMBLY

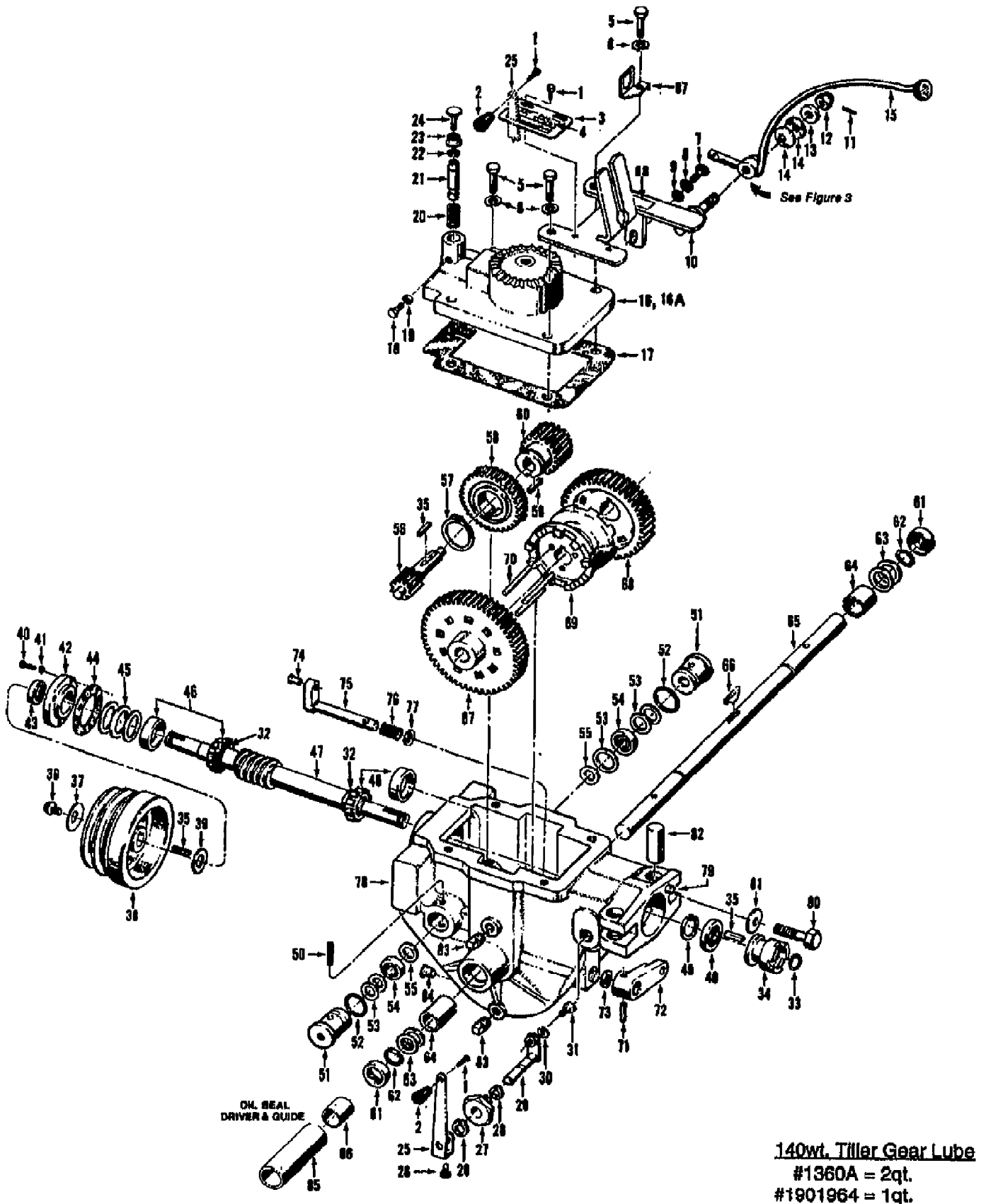


HORSE-OPC (7&8HP) (S/N 00855639-00864076)
HANDLE BAR ASSEMBLY

Page 8 of 21

Ref #	Part Number	Qty	S/P/F	Description
1	GW-9548	1	/P	BOLT 1/2-13X3.5 FH GR5
2	GW-9119	1	/P	KNOB-CONTROL
3	GW-9120	1	/P	RING-TOLERANCE .5325 ID
4	GW-1881	1	/P	STUD-H/BAR W/NUT & RING (INCL. 2,3,5)
5	GW-9803	1	S	NUT-HEX JAM 1/2-13
6	GW-1021-1	1	S	CLAMP-LH HORSE 1021-1, HEIGHT ADJ.
7	GW-2542-1	1	S	RATCHET-H/BAR RED 2542-1, HEIGHT ADJ.
8	GW-2542-2	1	S	RATCHET-RH RED HORSE 2542-2, HEIGHT ADJ.
9	GW-1021-2	1	S	CLAMP-RH HORSE 1021-2, HEIGHT ADJ.
10	GW-2534	1	S	BASE-H/BAR RED 2534A, MOUNTING
11	GW-26224	1		HANDLEBARS - INCL. TWO EA. 12 & 17, ONE 13)
12	GW-9125	1	S	GRIP-H/BAR SMOOTH
13	GW-2588	1		DECAL-CONTROL PANEL OPC
14	GW-9547	1	/P	BOLT-CH 1/4-20X2.00 ZP GR 5
15	GW-9844	1	S	NUT-HF/LK 1/4-20 ZP (WHIZ-LOCK)
16	GW-9649	1		CABLE-THROTTLE 7HP TEC. ENGINE ONLY
16	GW-9650	1		CABLE-THROTTLE 8HP KOHLER ENGINE ONLY
17	GW-2589	1		DECAL-FWD INTERLOCK
18	GW-9202	1	S	TIE-RED (PLASTIC)
19	GW-9219	1	/P	RETAINER-HARNESS H/B OPC
20	GW-2551	1	/P	HANDLEBAR HARNESS-WIRE OPC HORSE FORWARD INTERLOCK SYSTEM
21	GW-9250	1	S	SWITCH-H/B OPC - FORWARD INTERLOCK SYSTEM
22	GW-9385	1	/P	PIN-LK .11X.58 HORSE OPC, HANDLEBAR SWITCH
23	GW-2543	1	S	HOUSING-SWITCH OPC, HANDLEBAR SWITCH
24	GW-9533	1		SCR-HW M10-24X.5 STH ZP
25	GW-2546	1	S	LEVER-HORSE OPC, FORWARD INTERLOCK
26	GW-9199	1	/P	PIN-PIVOT OPC, FORWARD INTERLOCK LEVER
27	GW-9514	1	/P	RING-KLIP 5304-25, FORWARD INTERLOCK
28	GW-9387	1	/P	SPRING-H/B FORWARD INTERLOCK LEVER

HORSE-OPC (7&8HP) (S/N 00855639-00864076)
POWER UNIT TRANSMISSION ASSEMBLIES



HORSE-OPC (7&8HP) (S/N 00855639-00864076)
POWER UNIT TRANSMISSION ASSEMBLIES

Page 10 of 21

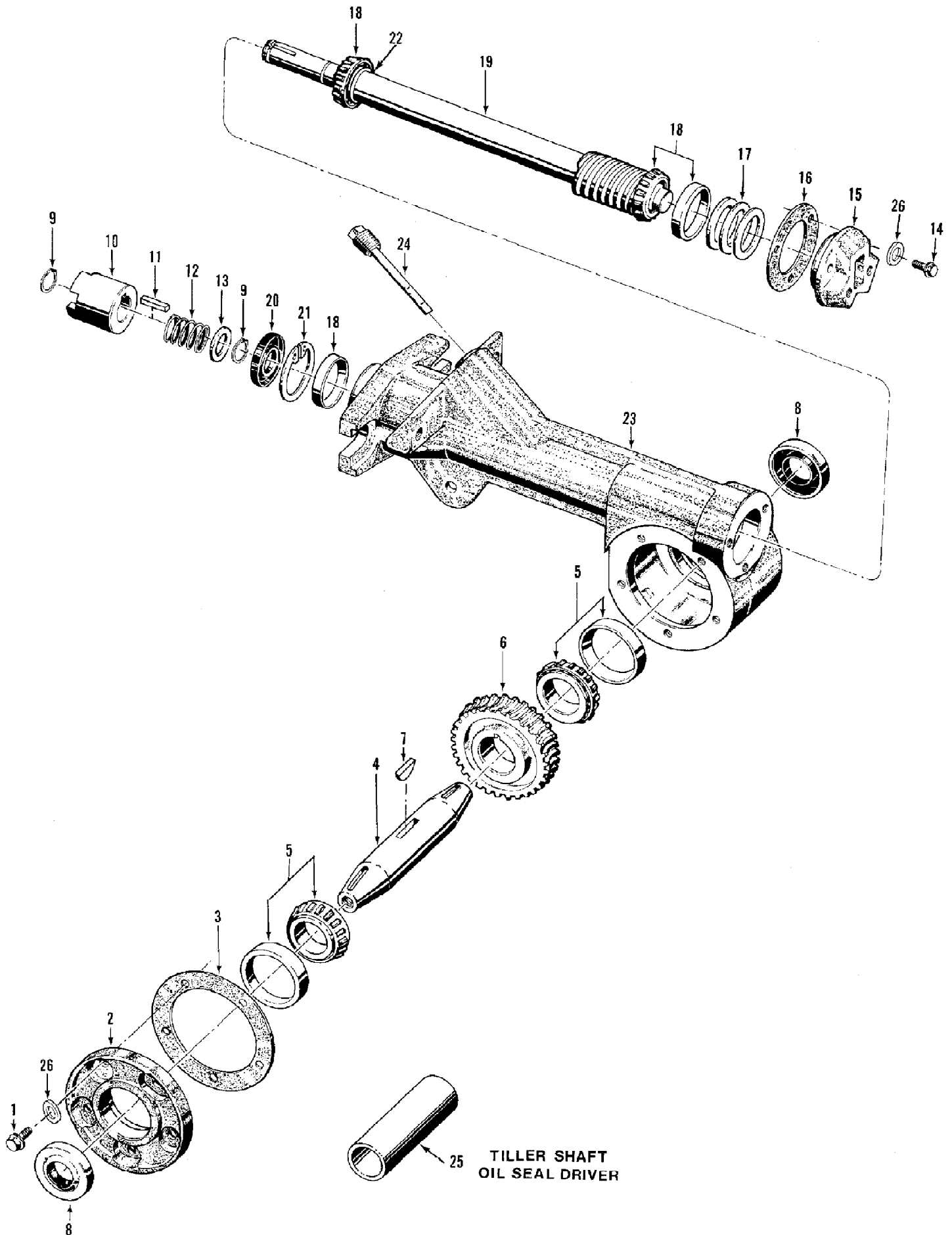
Ref #	Part Number	Qty	S/P/F	Description
	GW-1360A	0	S	OIL GEAR LUBE
1	GW-9782	0	S	SCR 10-32
2	GW-9463	0	/P	KNOB-TAPERED
3	GW-2263	0	/P	PLATE-TINE ENGAGE W/DECAL INCLUDES #2599 OPER- ATING DECAL (REF. #4)
4	GW-2599	0	S	DECAL-TINE ENGAGE
5	GW-9558	0		BOLT-HH 3/8-16X1.5 FTH ZP
6	GW-9913	0	S	WASHER-LK .375
7	GW-9575	0	S	SCR-HFLK 5/16-18X.75 ZP
8	GW-9912	0	S	WASHER-LK .312 ZP
9	GW-9902	0	S	WASHER-FLAT 5/16 SAE
10	GW-2149	0	S	BRKT-H HOOD 2149
11	GW-9362	0	/P	PIN-SPRING .125 X 1
12	GW-9838	0		NUT-HEX 1/2-20
13	GW-9934	0	/P	WASHER-# SHOULDER ZP
14	GW-9932	0	/P	WASHER-# 1.97X1X.118
15	0	0		LEVER-WHEEL SPEED SHIFT
16	GW-2523	0	S	COVER-TRANS RED 2523
16A	GW-2566	0	/P	ASSM-TRANS COVER OPC
17	GW-1123	0	/P	GASKET-TRANS COVER
18	GW-9751	0	S	SCR-HH 5/16-18X1.0 G5 ZP
19	GW-9801	0	S	NUT-HEX 5/16-18 ZP
20	GW-1496	0	S	SPRING-REV PLUNGER ZP
21	GW-1035	0	/P	ASSM-NEUTRAL PLUNGER
22	GW-9504	0	S	RING-KLIP EXT .594 ID ZP
23	GW-9831	0	S	NUT-HFLK 3/8-16 ZP
24	GW-9545	0	S	SCR 3/8-16X1.5 UNC-2AG
25	GW-2122	0	S	LEVER-ECCENTRIC RED
26	GW-9743	0	S	SCR-HH 1/4-20X.5 GR5 YEL
27	GW-2123	0	S	BUSHING-.87X.5X.62 ECC
28	GW-9516	0	/P	RING-RETAINING 5100-50
29	GW-2130	0	S	ECCENTRIC-SHAFT,TINES/PTO CLUTCH LEVER
30	GW-9911	0	/P	WASHER-LK .25 HI-COLLAR
31	GW-9672	0	S	SCR-HXSKT 1/4-20X.38 G8
32	GW-50043	0	S	WASHER-#1.25X.75X.06
33	GW-9500	0	S	RING-RETAIN EXT .707 ID
34	GW-2120-3	0	S	KIT-CLUTCH DOGS TILLER
35	GW-9301	0	S	KEY-.188 SQX1.0
36	GW-9655	0	S	SCR-HH 5/16-24X.75 G5 ZP
37	GW-9944	0	S	WASHER-.827X.331X.098
38	GW-2107	0	/P	PULLEY-TRANS MACH
39	GW-50027	0	/P	WASHER-SHLDR HARDENED
40	GW-9701	0	S	SCR-HH 1/4-20X.75 G5 ZP
41	GW-9910	0	S	WASHER-LK .25 ZP
42	GW-2424	0	S	COVER-FRONT
43	GW-9600	0	S	SEAL-PINION SHAFT PT/85030/00
44	GW-1124-2	0	S	GASKET-BRG COVER
45	GW-1224-1	0	S	SHIM-1.75X1.5X.01
45	GW-1224-2	0	S	SHIM-1.75X1.5X.03
45	GW-1224-3	0	S	SHIM-1.75X1.5X.005

HORSE-OPC (7&8HP) (S/N 00855639-00864076)
POWER UNIT TRANSMISSION ASSEMBLIES

Page 11 of 21

Ref #	Part Number	Qty	S/P/F	Description
45	GW-1224-4	0	S	SHIM-1.75X1.5X.062
46	GW-1714	0	S	KIT-BRG CONE&RACE-DRIVESHAFT
47	GW-1985	0		KIT-TRANS DRSHAFT HORSE
48	GW-9617	0	S	SEAL-OIL DRIVESHAFT
49	GW-9517	0	S	RING-RETAINING 5000-181
50	GW-9309	0	S	PIN-SPIROL .25 X 2.0
51	GW-1060A	0	/P	PLUG-PINION BRG W/RING
52	GW-9604	0	/P	RING-O 1 ID
53	GW-1132-1	0	/P	SHIM-1.234X1.015X.033
53	GW-1132-2	0	/P	SHIM-1.234X1.015X.062
53	GW-1132-3	0	/P	SHIM-1.234X1.015X.01
54	GW-9404	0	/P	BRG-BALL (7 BALLS)
55	GW-1126	0	/P	WASHER-# 1X.484X.06
56	GW-1222	0	/P	GEAR-SPLINE 10 TEETH MACH
57	GW-9502	0	/P	RING-RETAINING 5100-150
58	GW-1221	0		GEAR-WORM 36 TEETH MACH
59	GW-9300	0	/P	KEY
60	GW-1233	0	/P	GEAR-SPUR 20 TEETH MACH
61	GW-9609	0	S	SEAL-OIL WHEELSHAFT
62	GW-9511	0	S	RING-HEAVY EXT .906 ID
63	GW-1166-1	0	S	SHIM-1.375X1.015X.062
63	GW-1166-2	0	/P	SHIM-1.375X1.015X.03
63	GW-1166-3	0	/P	SHIM-1.375X1.015X.015
63	GW-1166-4	0	S	SHIM-1.375X1.015X.01
63	GW-1166-5	0	S	SHIM-1.375X1.015X.005
64	GW-1086	0	S	BUSHING-1.25X1.005X1.5
65	GW-1878	0	/P	KIT-WHEELSHAFT
66	GW-9357	0	S	KEY-HI PRO .25X1.812
67	GW-1223	0	/P	GEAR-SPUR 56 TEETH MACH
68	GW-1232	0	/P	GEAR-SPUR 46 TEETH MACH
69	GW-1237	0	/P	CLUTCH-MACH
70	GW-1112	0	/P	PIN-CLUTCH .25 2.65
71	GW-9307	0	S	PIN-SPIROL .188 X 1.25
72	GW-1029	0	S	LEVER-ECC. #1029
73	GW-9622	0	S	SEAL-OIL ECCENTRIC
74	GW-1442	0	S	PIN-.375 X .72
75	GW-1568	0	S	SHAFT-ECCENTRIC HORSE TLR
76	GW-1441	0	/P	SPRING .845 X 1.25
77	GW-1440	0	S	WASHER # .875 X .65 X .06
78	GW-2260	0	S	CASE-TRANS W/PIN
79	GW-9359	0	/P	PIN-DRIVE .375X.75 ZP
80	GW-9560	0	S	SCR-HH 1/2-13X2.0 G5 ZP
81	GW-9928	0	/P	WASHER-DISC SPRING
82	GW-2126	0		POST (TC)
83	GW-9726	0	S	PLUG-PIPE 1/4 NPT
84	GW-9122	0	/P	PLUG-CAP (RED)
85	GW-4921-1	0		DRIVER-PLASTIC
86	GW-4921-2	0		SEAL-DRIVER PILOT
87	GW-9205	0	/P	CLIP-CONNECTOR
88	GW-2590	0	S	DECAL-FWD INTERLOCK WIRE

HORSE-OPC (7&8HP) (S/N 00855639-00864076)
TILLER ATTACHMENT TRANSMISSION ASSEMBLIES



HORSE-OPC (7&8HP) (S/N 00855639-00864076)
TILLER ATTACHMENT TRANSMISSION ASSEMBLIES

Page 13 of 21

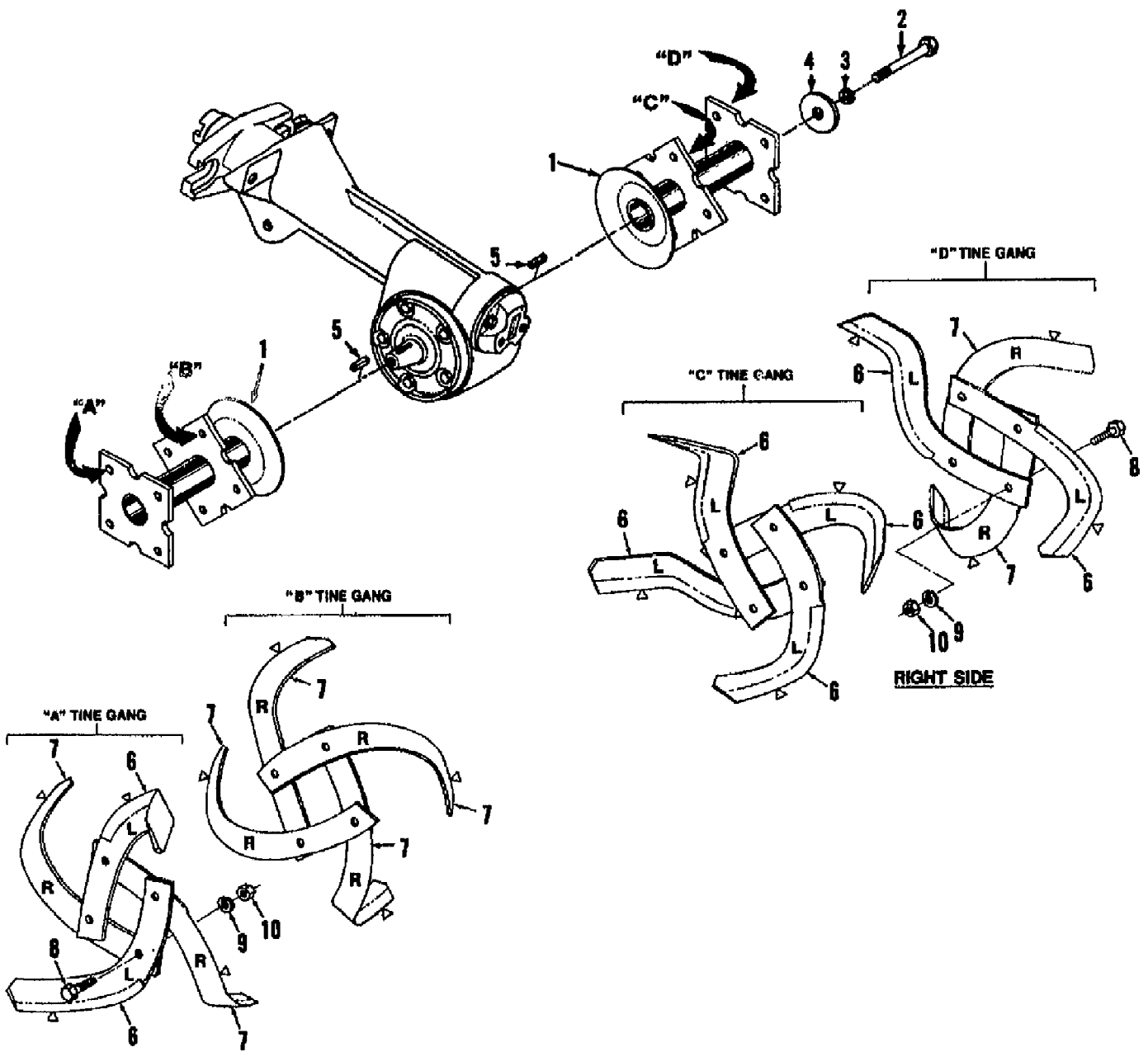
Ref #	Part Number	Qty	S/P/F	Description
1	GW-9780	5	S	BOLT - hex. hd., 1/4"-20 x 5/8", self-locking flange TILLER TINE SHAFT ASSEMBLY
2	GW-2451	1	S	COVER- tiller housing Includes five #9780 bolts (Ref.No.1); TILLER TINE SHAFT ASSEMBLY
3	GW-1129-1	1	S	GASKET- tiller housing cover, .010" thick TILLER TINE SHAFT ASSEMBLY A/R
3	GW-1129-2	1	S	GASKET- same as above, .030" thick TILLER TINE SHAFT ASSEMBLY A/R
4	GW-1026A	1	/P	SHAFT-tiller tine Includes #1104 key(Ref. #7); TILLER TINE SHAFT ASSEMBLY
5	GW-11522	2		BEARING & CUP - tapered cone roller bearing with cup (race). Cone and cup sold as set only TILLER TINE SHAFT ASSEMBLY includes 741-3050 cup and 741-3051 cone. Use with GW-11527
6	GW-1064	1	S	WORM GEAR-bronze, tiller tine shaft. Driven by worm on tiller driven shaft TILLER TINE SHAFT ASSEMBLY Use GW-11527
6	GW-11527	1	/P	Kit-Tiller Gear, Cones & Cups. TILLER TINE SHAFT ASSEMBLY includes two 741-3050 cups and two 741-3051 cones. Use with GW-11522
7	GW-1104	1	/P	KEY - tiller tine shaft. Woodruff key with ends ground TILLER TINE SHAFT ASSEMBLY
8	GW-9618	2	S	SEAL-oil, tiller tine shaft Replaces 9616; TILLER TINE SHAFT ASSEMBLY
9	GW-9500	2	S	RETAINING RING -(snapping),external. Retains dog clutch to shaft TILLER DRIVE SHAFT ASSEMBLY
10	GW-2120-1	1	S	DOG CLUTCH - tiller drive shaft TILLER DRIVE SHAFT ASSEMBLY
11	GW-9301	1	S	KEY-3/16" square X 1",dog clutch to tiller driveshaft TILLER DRIVE SHAFT ASSEMBLY
12	GW-2127	1	/P	SPRING - dog clutch TILLER DRIVE SHAFT ASSEMBLY
13	GW-1138-1	1	S	SHIM - dog clutch, 1/16" (.062") thick TILLER DRIVE SHAFT ASSEMBLY
14	GW-9773	3	S	BOLT - hex. hd., 1/4"-20 x 7/8", self locking flange TILLER DRIVE SHAFT ASSEMBLY
15	GW-1115	1	S	CAP -rear bearing TILLER DRIVE SHAFT ASSEMBLY

HORSE-OPC (7&8HP) (S/N 00855639-00864076)
TILLER ATTACHMENT TRANSMISSION ASSEMBLIES

Page 14 of 21

Ref #	Part Number	Qty	S/P/F	Description
16	GW-1124-2	1	S	GASKET -rear bearing cap TILLER DRIVE SHAFT ASSEMBLY
17	GW-1224-1	1	S	SHIM - front bearing cap, .010" thick TILLER DRIVE SHAFT ASSEMBLY A/R
17	GW-1224-2	1	S	SHIM - same as above, .030" thick TILLER DRIVE SHAFT ASSEMBLY A/R
17	GW-1224-3	1	S	SHIM - same as above, .005" thick TILLER DRIVE SHAFT ASSEMBLY A/R
17	GW-1224-4	1	S	SHIM - same as above, .062" thick TILLER DRIVE SHAFT ASSEMBLY A/R
18	GW-1714	2	S	BEARING & CUP - tapered cone roller bearing with cup (race). Cone and cup sold as set only TILLER DRIVE SHAFT ASSEMBLY
19	GW-1986	1		SHAFT- main tiller drive ; TILLER DRIVE SHAFT ASSEMBLY Includes welded-on worm gear, two pressed-on cone roller bearings, two bearing cups (Ref.#18) and one shoulder washer .766 X 1.0
20	GW-9617	1	S	SEAL- oil, drive shaft, front TILLER DRIVE SHAFT ASSEMBLY
21	GW-9517	1	S	RETAINING RING -(snapping),internal. Retains front bearing cup TILLER DRIVE SHAFT ASSEMBLY
22	GW-50043	1	S	WASHER - shoulder (drive shaft) TILLER DRIVE SHAFT ASSEMBLY
23	GW-2206	1		HOUSING - tiller attachment TRANSMISSION HOUSING AND DIPSTICK Includes pressed-on sleeve in front of housing and one tine shaft bearing cone 741-3051 & cup 741-3050 mounted in right side of housing.
24	GW-2136	1		DIPSTICK- oil level, tiller attachment TRANSMISSION HOUSING AND DIPSTICK
25	N/A	1		OIL SEAL DRIVER - for tiller shaft oil seals Purchase locally
26	GW-9945	8		WASHER-1/4",plastic MISCELLANEOUS PARTS
	737-04040	1	/P	Transmission Oil, Gear. Quart

HORSE-OPC (7&8HP) (S/N 00855639-00864076)
TINE ASSEMBLIES

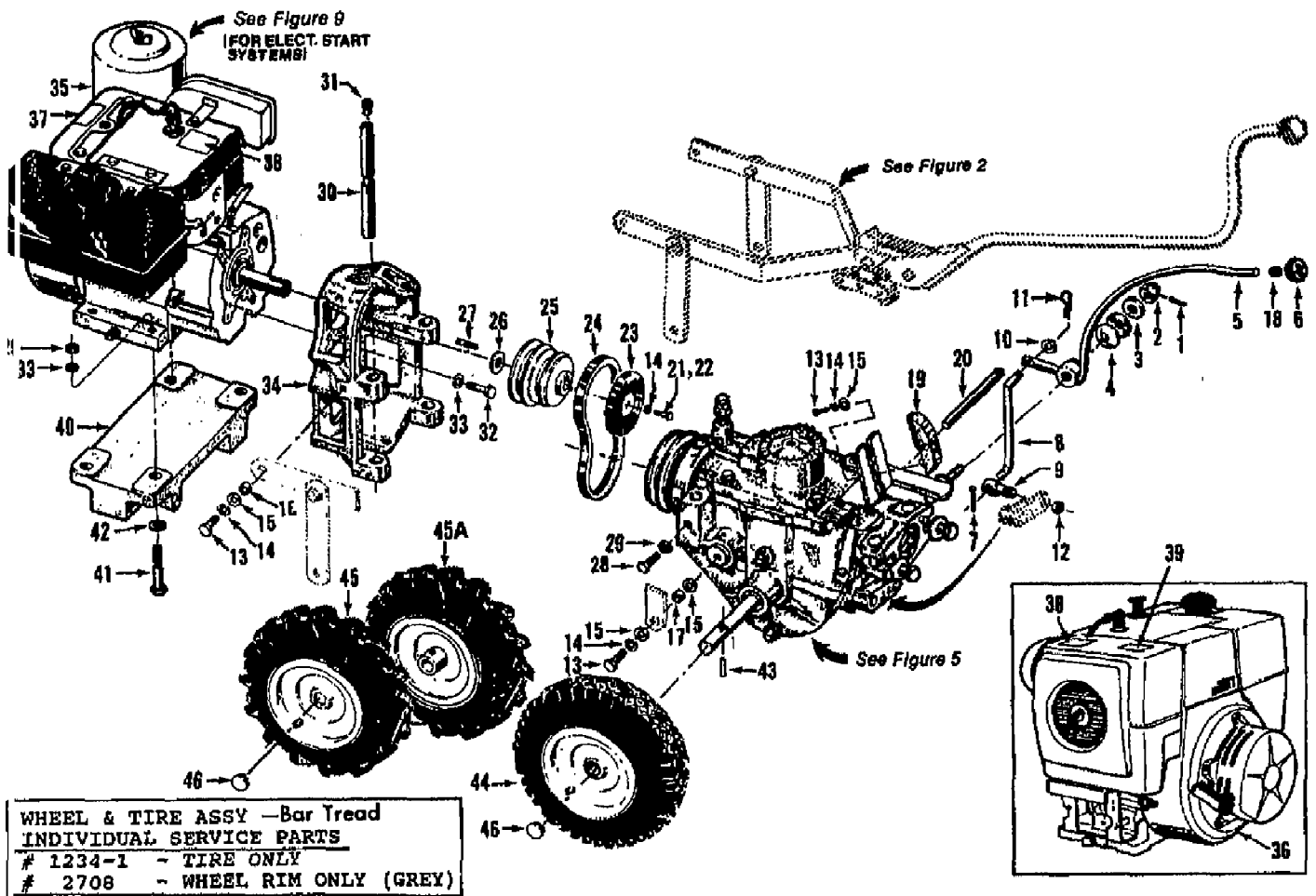


HORSE-OPC (7&8HP) (S/N 00855639-00864076)
TINE ASSEMBLIES

Page 16 of 21

Ref #	Part Number	Qty	S/P/F	Description
1	GW-2415	0	S	HOLDER-TINE RED
2	GW-9669	0		SCR-HH 1/2-20X4.75 GR5
3	GW-9914	0	S	WASHER-LK .5
4	GW-9952	0		WASHER-1.5X.531X.187
5	GW-9301	0	S	KEY-.188 SQX1.0
6	GW-1270-1A	0	S/F	TINE-BOLO LT W/HDW
7	GW-1270-2A	0	S/F	TINE-BOLO RT W/HDW
8	GW-9711	0	S	SCR-HH 3/8-16X1.0 G5 ZP
9	GW-9913	0	S	WASHER-LK .375 @ DEPL
10	GW-9802	0	S	NUT-HEX 3/8-16 ZP
	GW-1245K	0	S	TINES-BOLO HORSE/PONY/ECONO
	GW-10355	0		KIT-TINE HOLDER W/HDW
	GW-10802	0	/P	TINES-CUSTOM TILLING
	GW-2475-1	0	S	TINE-HARD FACED LT
	GW-2475-2	0	S	TINE-HARD FACED RT
	GW-9807	0	S	NUT-H/LK 3/8-16

HORSE-OPC (7&8HP) (S/N 00855639-00864076)
 WHEEL SPEED LEVER, BELT DRIVE, ENGINE & WHEELS



HORSE-OPC (7&8HP) (S/N 00855639-00864076)
WHEEL SPEED LEVER, BELT DRIVE, ENGINE & WHEELS

Page 18 of 21

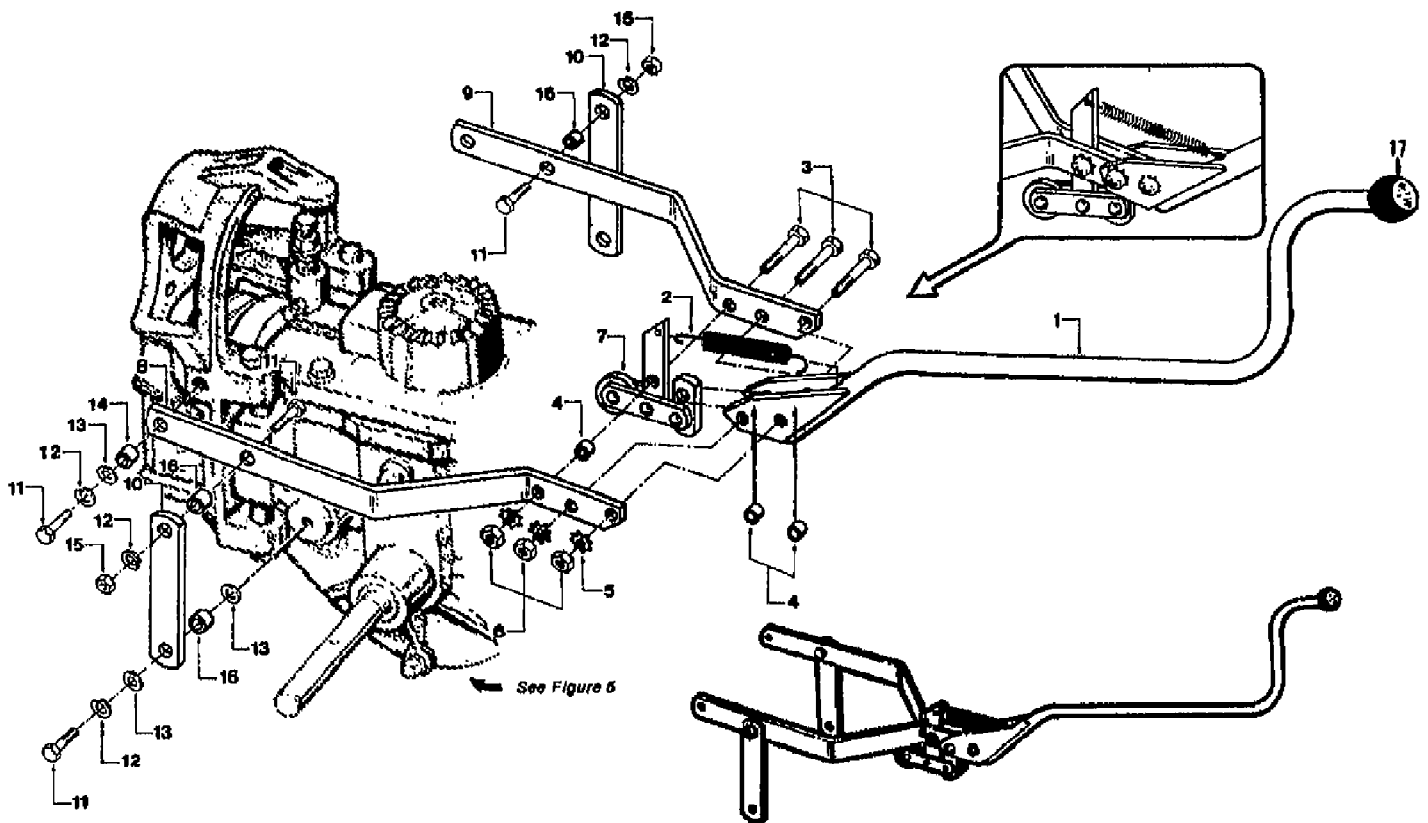
Ref #	Part Number	Qty	S/P/F	Description
	GW-1234-1	0	S	TIRE-BTT 4.80/4.00X8.00 (TIRE ONLY)
	GW-2708	0		RIM-WHEEL 8" GRAY (WHEEL RIM ONLY)
1	GW-9362	0	/P	PIN-SPRING .125 X 1
2	GW-9838	0	F	NUT-HEX 1/2-20
3	GW-9934	0	/P	WASHER-# SHOULDER ZP (SHOULDER FACES DISC WASHERS)
4	GW-9932	0	/P	WASHER-# 1.97X1X.118 (CONCAVE SURFACES FACE EACH OTHER)
5	GW-2628	0	/P	LVR-W/KNOB (WHEEL SPEED)(INCL. 6 & 18)
6	GW-2596	0	S	KNOB-WHEEL SPEED HORSE (INCL. 18 & PLASTIC DECAL INLAY)
7	GW-9317	0	/P	PIN-COTTER .094X1.0
8	GW-1231	0	/P	ROD-CONNECTING
9	GW-1033	0	/P	SWIVEL
10	GW-9902	0	S	WASHER-FLAT 5/16 SAE
11	GW-9338	0	S	PIN-CLIP .08
12	GW-9808	0	S	NUT-H/LK 5/16-18
13	GW-9710	0	S	SCR-HH 3/8-16X1.0 G5 ZP
14	GW-9913	0	S	WASHER-LK .375
15	GW-9904	0	S	WASHER-FLAT 3/8 SAE
16	GW-2146	0	/P	BUSHING-.5X.375X.325
17	GW-1113-1	0	S	BUSHING-.5X.375X.3
18	GW-9120	0	/P	RING-TOLERANCE .5325 ID
19	GW-1920	0	/P	KIT-ADJ BLOCK 4 SP (INCL. 13-15, & 20)
20	GW-2100	0	/P	BAR-ADJUST
21	GW-9738	0	S	SCR-HH 3/8-24X1.75 ZP (FOR 7HP TEC. ENGINE ONLY)
22	GW-9715	0	S	SCR-HH 3/8-24X1.5 G5 (FOR KOHLER ENG. ONLY)
23	GW-1919	0	/P	KIT-ADJ BLOCK/REV DISC (INCL. 19)
23	GW-2111	0	S	DISC-REV
24	GW-9245	0	/P/F	BELT-V
25	GW-1483	0	S	PULLEY-ENG MACH (POWER TAKE OFF)
26	GW-1138-1	0	S	SHIM-1.0X.7656X.062
26	GW-1138-2	0	S	SHIM-1.0X.7656X.031
27	GW-9303	0	/P	KEY-.188 SQ X 2.33
28	GW-9751	0	S	SCR-HH 5/16-18X1.0 G5 ZP
29	GW-9801	0	S	NUT-HEX 5/16-18 ZP
30	GW-1034	0	S	BAR-ENG MTG W/CAP PLUG
31	GW-9147	0	/P	PLUG-CAP (RED)
32	GW-9572	0	S	BOLT-HH 5/16-24X1.125 G5 ZP
33	GW-9912	0	S	WASHER-LK .312 ZP
34	GW-2565	0	S	MOUNT-MOTOR HSE OPC PNT
35	0	0	F	ENGINE, 7HP TEC. - RECOIL START. MODEL NO. HMXL-70, SPEC NO. 132503.
35	0	0	F	ENGINE, 7HP TEC. - ELEC. START. MODEL NO. HMXL-70, SPEC NO. 132504.

HORSE-OPC (7&8HP) (S/N 00855639-00864076)
 WHEEL SPEED LEVER, BELT DRIVE, ENGINE & WHEELS

Page 19 of 21

Ref #	Part Number	Qty	S/P/F	Description
36	0	0	F	ENGINE, 8HP KOHLER MAGNUM, RECOIL START, MODEL M8T, SPEC NO. PS-301548.
36	0	0	F	ENGINE, 8HP KOHLER MAGNUM, ELEC. START, MODEL M8T, SPEC NO. PS-301549.
37	GW-2572	0		DECAL-STABI 7HP OPC TRL
38	GW-2591	0		DECAL-HOT SURFACE
39	GW-2573	0		DECAL-STABIL STARTING
40	GW-2522	0	/P	WEIGHT-ENG ECONO PNT
41	GW-9966	0	S	SCR-HH 5/16-18X2.25 G5ZP
42	GW-20553	0	/P	SPACER-.88X.385X.09 ZP
43	GW-9322	0	S	PIN-SPIROL .313 X 1.5
44	GW-9142	0		ASSM-STD TIRE
45	GW-9143	0	S/F	TIRE-LT BT GARDEN TRAC
45A	GW-9144	0	S/F	TIRE-RT BT GARDEN TRAC
46	GW-9145	0	S	CAP-HUB BLK PLASTIC

HORSE-OPC (7&8HP) (S/N 00855639-00864076)
WHEELS/TIRES/PTO DRIVE LEVER ASSEMBLY



HORSE-OPC (7&8HP) (S/N 00855639-00864076)
WHEELS/TIRES/PTO DRIVE LEVER ASSEMBLY

Page 21 of 21

Ref #	Part Number	Qty	S/P/F	Description
1	GW-2574	0	S/F	ASSM-FOR/REV LEVER
2	GW-2163	0	S	SPRING-.436 X 3.25
3	GW-9466	0	S	SCR-HH 5/16-18X1.5 G5 ZP
4	GW-2447	0	/P	BUSHING-.5X.316X.375 PM
5	GW-9931	0	S	WASHER-LK .312 EXT TOOTH
6	GW-9801	0	S	NUT-HEX 5/16-18 ZP
7	GW-2162	0	S	ASSM-ROLLER PAINT
8	GW-2165-1	0	S	YOKE-LH RED
9	GW-2165-2	0	S	YOKE-RH RED
10	GW-2164	0	S	YOKE-RED 2164
11	GW-9710	0	S	SCR-HH 3/8-16X1.0 G5 ZP
12	GW-9913	0	S	WASHER-LK .375 @ DEPL
13	GW-9904	0	S	WASHER-FLAT 3/8 SAE
14	GW-2146	0	/P	BUSHING-.5X.375X.325
15	GW-9802	0	S	NUT-HEX 3/8-16 ZP
16	GW-1113-1	0	S	BUSHING-.5X.375X.3
17	N/A	0	F	KNOB