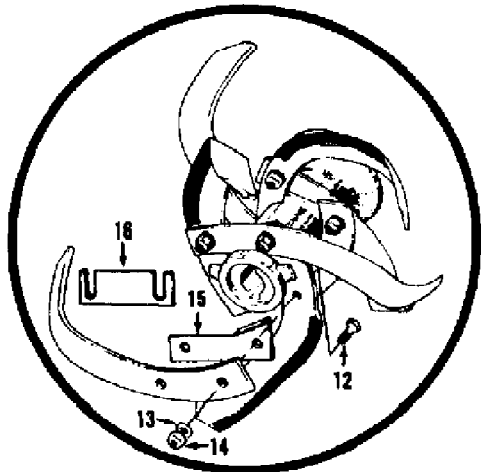


**LEGEND:**  
 Δ = Sharp Edge  
 L = Left Bolo Tine  
 R = Right Bolo Tine

**NOTE: Make sure Sharp Edge Δ of tines faces FORWARD to enter soil first**

Sharp Δ      Blunt Edge

**LEFT HAND TINE      RIGHT HAND TINE**  
 (As viewed with blunt edge facing you.)



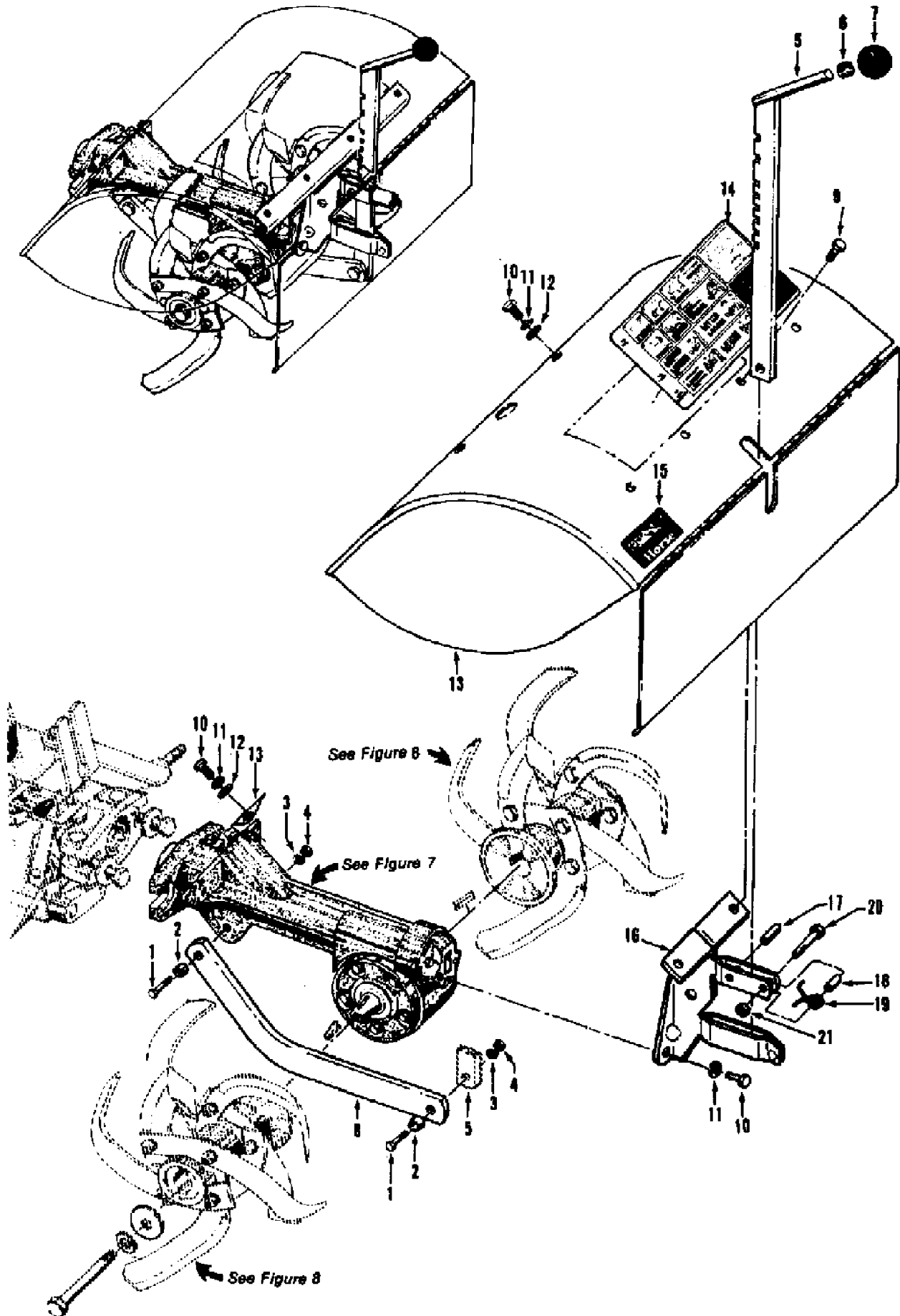
**SHIMS SHOWN ABOVE USED FOR TINES MOUNTED ON CAST IRON TINE HOLDERS**

2308 Horse III  
Bolo Tine Assemblies

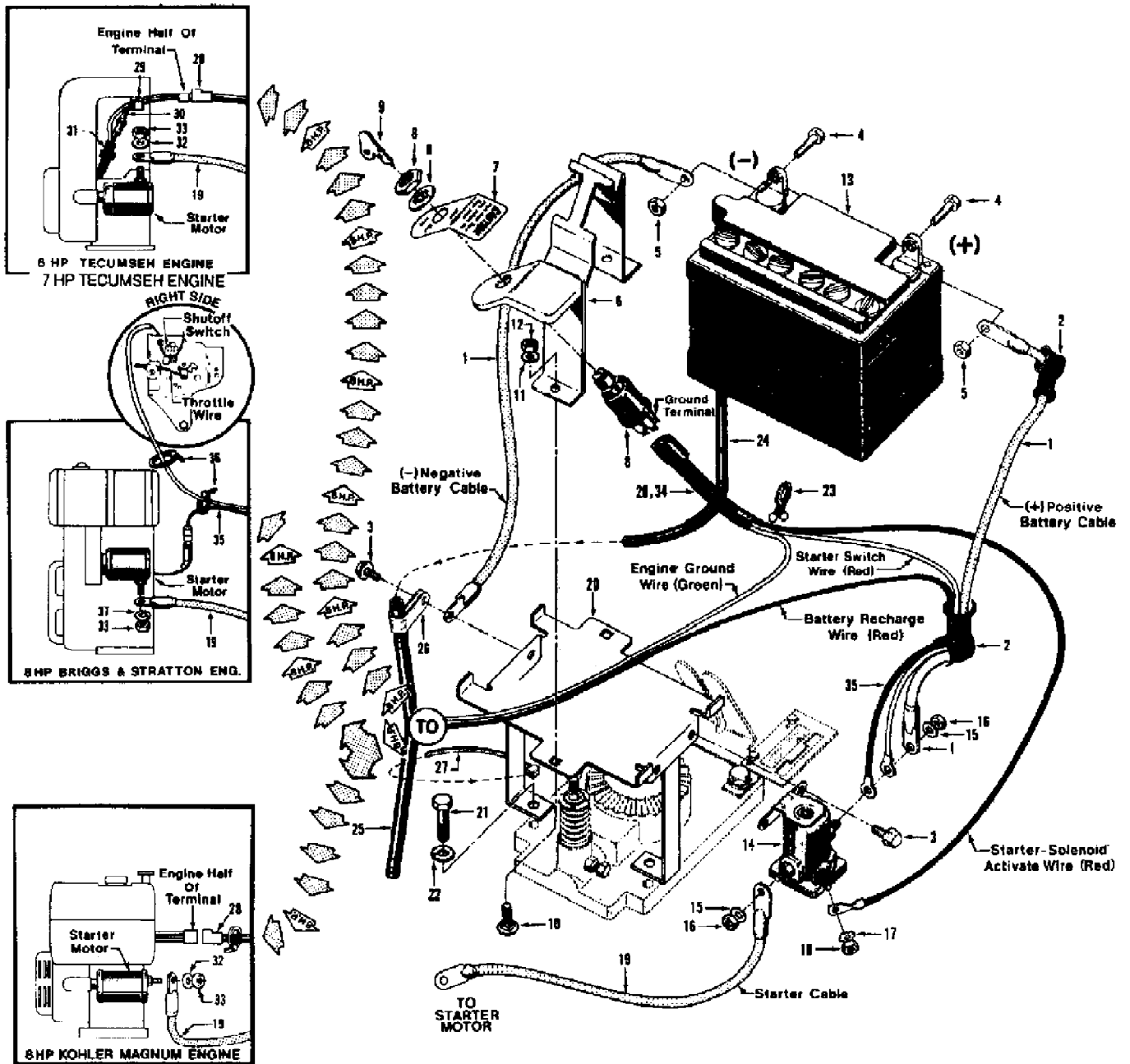
Page 2 of 25

| Ref # | Part Number | Qty | S/P/F | Description   |
|-------|-------------|-----|-------|---|
| 1     | GW-2415     | 2   | S/F   | TINE HOLDER- welded steel. For left or right side of tiller.  |
| 2     | GW-9669     | 2   |       | BOLT - hex hd., 1/2"-20 x 4-3/4" long. Mounts Part #2415 welded steel tine holder on tine shaft   |
| 3     | GW-9914     | 2   | S     | LOCKWASHER-1/2", holder mounting  |
| 4     | GW-9952     | 2   |       | WASHER - flat. Outer dia. 1.500", inner dia. .516",thickness .182". Use with Part 119669 bolt only  |
| 5     | GW-1205     | 2   | F     | TINE HOLDER - cast iron. For left or right side of tiller.  |
| 6     | GW-1463     | 2   |       | BOLT - hex hd.,1/2"-20 x 5-3/4" long. Mounts Part #1205 cast iron tine holder on tine shaft   |
| 7     | GW-1461     | 2   |       | WASHER - flat. Outer dia. 1-3/4", inner dia. 17/32". Use with Part #1463 bolt only  |
| 8     | GW-1735     | 1   |       | BOLT 8 WASHER SET - Includes one each Part #1483 bolt, #9914 lockwasher and #1461 washer. Use with Part 81205 tine holder only  |
| 9     | GW-9301     | 2   | S     | KEY - tine shaft 3/16" square x 1" long   |
| 10    | GW-1270-1A  | 8   | S     | BOLO TINE - single, Left Hand. Used on left and right side tine assemblies. Tine is stamped either "F1" or "AL"   |
| 11    | GW-1270-2A  | 8   | S     | BOLO TINE- single, Right Hand. Used on left and right side tine assemblies. Tine is stamped either "ER" or "AR"   |
| 12    | GW-9711     | 16  | S     | BOLT - hex hd., 3/8"-16 x 1", tine mounting   |
| 13    | GW-9913     | 16  | S     | LOCKWASHER-3/8" tine mounting   |
| 14    | GW-9802     | 16  | S     | NUT- hex, 3/8"-16, tine mounting  |
| 15    | GW-2253     | 1   |       | TINE SHIM - used as needed to correct loose-fitting tines mounted on cast iron tine holders only  |
| 16    | GW-2254     | 1   |       | TINE SHIM - used as needed to correct loose-fitting tines mounted on cast iron tine holders only  |
|       | GW-1245K    | 1   | S/F   | TINE REPLACEMENT KIT- unassembled.  |
|       | GW-10355    | 1   | F     | WELDED STEEL TINE HOLDER REPLACEMENT KIT - Includes one each of Part #2415 welded steel tine holder, #9669 bolt, #9914 lockwasher and #9952 washer. Order two kits if replacing both holders. |

2308 Horse III  
Depth Regulator & Tine Hood Assemblies



| Ref # | Part Number | Qty | S/P/F | Description  |
|-------|-------------|-----|-------|--|
| 1     | GW-9712     | 2   | S     | BOLT- hex. hd., 3/8"-16 x 1-1/4", drag bar mounting  |
| 2     | GW-1113-1   | 2   | S     | BUSHING - 19/64" (.300") long, drag bar  |
| 3     | GW-9913     | 2   | S     | LOCKWASHER - spring lock 3/8"  |
| 4     | GW-9802     | 2   | S     | NUT - hex., 3/8"-16  |
| 5     | GW-1117A    | 1   | S     | BAR - depth regulator Includes #9119 knob (Ref. 07) and M20 retaining ring (Ref. M6)                             |
| 6     | GW-9120     | 1   | /P    | RING - retaining (tolerance ring)  |
| 7     | GW-9119     | 1   | /P    | KNOB- depth regulator  |
| 8     | GW-2121     | 1   | S     | BAR - drag, depth regulator  |
| 9     | GW-9552     | 4   | S     | SCREW - thread forming, 1/4"-20 x 1/2", (lockwasher and nut not required). Mounts hood to bracket; Replaces 9723 |
| 10    | GW-9703     | 4   | S     | BOLT - hex. hd., 5/16"-18 x 3/4" hood to tiller housing and hood bracket to rear bearing cap                     |
| 11    | GW-9912     | 4   | S     | LOCKWASHER - spring lock, 5/16"  |
| 12    | GW-9929     | 2   | /P    | WASHER - flat, 5/16"   |
| 13    | GW-2470     | 1   | /P    | HOOD tine cover with hinged flap Includes hood decals (Ref. #14 and 15)  |
| 14    | GW-2413     | 1   | S     | DECAL - hood, operating Instructions   |
| 15    | GW-1238     | 1   | S     | DECAL- model name (HORSE)  |
| 16    | GW-2527     | 1   | /P    | BRACKET- tine hood and depth regulator Replaces 2255   |
| 17    | GW-9308     | 1   | S     | PIN - roll (spiral), 1/4" x 1" long  |
| 18    | GW-9438     | 1   | S     | SPACER   |
| 19    | GW-9384     | 1   | S     | SPRING   |
| 20    | GW-9734     | 1   | S     | BOLT - hexhd., 1/4"-20 x 1"  |
| 21    | GW-9811     | 1   | S     | LOCKNUT - 1/4"-20  |



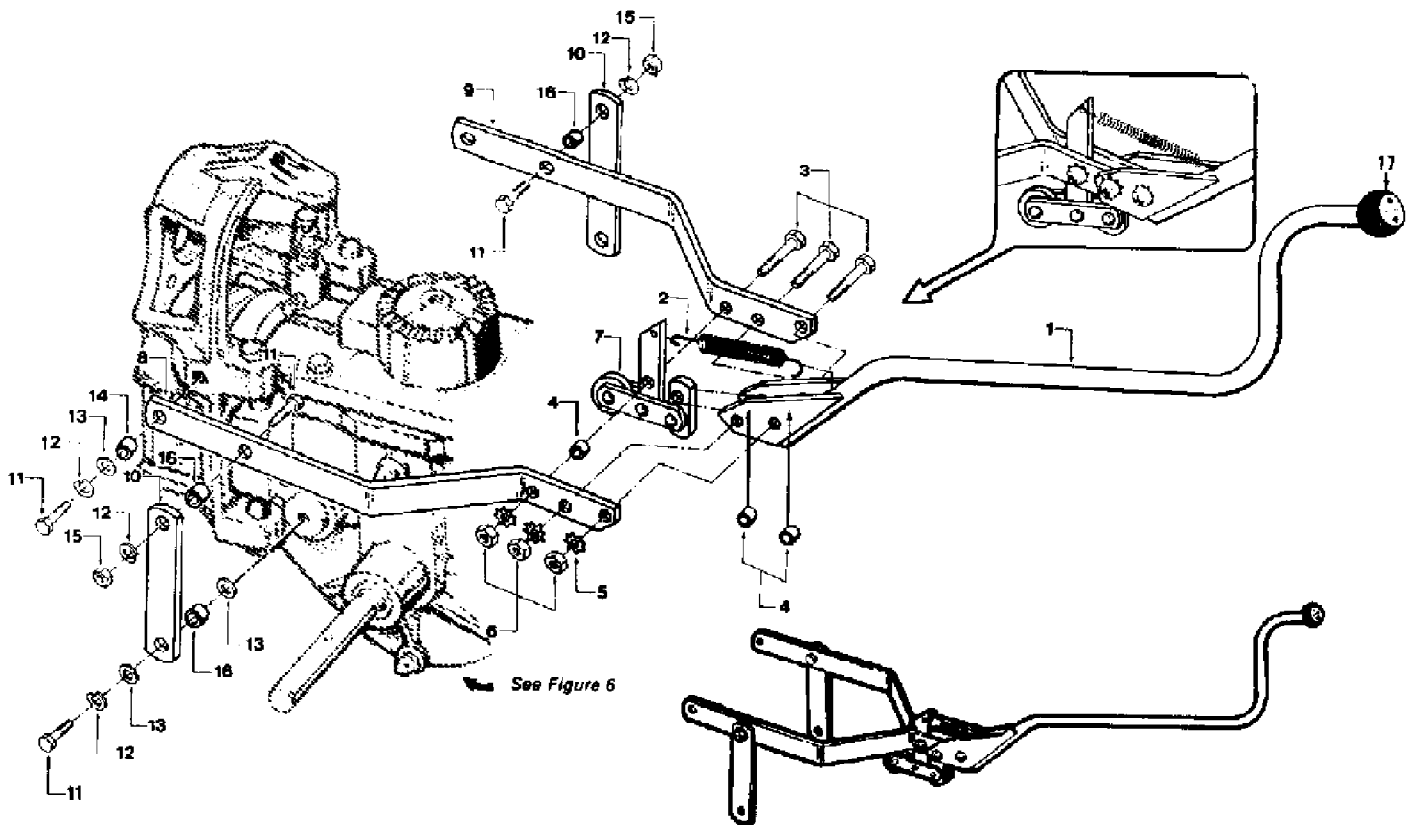
| Ref # | Part Number | Qty | S/P/F | Description   |
|-------|-------------|-----|-------|---|
| 1     | GW-9295     | 2   | S     | CABLE-battery, positive and negative terminals  |
| 2     | GW-9255     | 2   |       | RUBBER BOOT- terminal insulating  |
| 3     | GW-9552     | 3   | S     | SCREW -self threading, 1/4"-20 x 1/2", one for grounding negative cable and two for mounting solenoid to bracket  |
| 4     | GW-9703     | 2   | S     | BOLT- hex. hd., 5/16"-18 x 3/4", battery terminals  |
| 5     | GW-9801     | 2   | S     | NUT -hex., 5/16"-18, battery terminals  |
| 6     | GW-2241     | 1   | S     | BATTERY HOLD-DOWN CLAMP- with attached Key Switch Plate (includes #20418 decal). Introduced on Tiller Serial #648406. Use with #2182 battery bracket; Replaces 1468   |
| 7     | GW-20418    | 1   | S     | DECAL - key switch instructions   |
| 8     | GW-9230     | 1   |       | KEY SWITCH - includes two 89243 keys, one lockwasher and one mounting nut (hardware not available separately from Garden Way)   |
| 9     | GW-9243     | 1   | S     | KEY -ignition, one pair   |
| 10    | GW-9565     | 2   |       | BOLT - carriage, 1/4"-20 x 1-1/2", hold-down clamp to bracket   |
| 11    | GW-9910     | 2   | S     | LOCKWASHER - spring lock 1/4"   |
| 12    | GW-9800     | 2   | S     | NUT - hex., 1/4"-20   |
| 13    | GW-9092B    | 1   | S     | BATTERY - 12 volt, 30 amperes, side-vented. Comes with Part #9009 vent tube. IMPORTANT: For Tiller Serial Nos. 685484 & Below, contact Technical Service 9123, Department regarding special battery replacement kit before ordering battery; Replaces 94878 |
| 14    | GW-1959     | 1   | /P    | SOLENOID - starter, includes all washers and nuts (Ref. No's. 15, 16, 17 & 18) for cables and wires; Replaces 9127  |
| 15    | GW-9912     | 2   | S     | LOCKWASHER-springlock, 5/16", solenoid left and right posts   |
| 16    | GW-9826     | 2   | S     | NUT - hex., 5/16"-24, solenoid left and right posts   |
| 17    | GW-9921     | 1   | S     | LOCKWASHER-external tooth, #10, solenoid center post  |
| 18    | GW-9809     | 1   | S     | NUT - hex., 10-32, center post on solenoid  |
| 19    | GW-9223     | 1   |       | CABLE - solenoid to starter motor   |
| 20    | GW-2182     | 1   |       | BATTERY BRACKET- introduced on Tiller Serial #648406. Use with 52241 clamp; Replaces 1169   |
| 21    | GW-9558     | 2   |       | BOLT - hex. hd., 3/8"-16 x 1-1/2", bracket to transmission cover Replaces 9713  |

2308 Horse III  
Electric Start System - 6HP, 7HP, & 8HP Tillers

Page 7 of 25

| Ref # | Part Number | Qty | S/P/F | Description   |
|-------|-------------|-----|-------|---|
| 22    | GW-9913     | 2   | S     | LOCKWASHER - springlock, 3/8"   |
| 23    | GW-9265     | 1   | /P    | TIE- twist, red plastic, wire retaining   |
| 24    | GW-9009     | 1   | /P    | VENT TUBE - 5/16" dia.  |
| 25    | GW-1475     | 1   |       | SHIELD - vent tube, 1/2" dia.   |
| 26    | GW-9224     | 1   |       | CLAMP- vent tube shield   |
| 27    | GW-9202     | 1   | S     | TIE -red plastic  |
| 28    | GW-1552     | 1   |       | WIRE HARNESS - for Tecumseh and Kohler engines; Includes two receptacles; three red wires (solenoid activate, battery recharge, and starter switch); one green (shutoff) wire; plastic harness tube   |
| 29    | GW-9218     | 1   | /P    | CLIP-metal, supports recharging wire on Tecumseh engine   |
| 30    |             | 1   |       | FUSE - 6 Amperes, 3 AGC, for Tecumseh engine (earlier models only). Available locally or from Garden Way (Tecumseh x 29561)   |
| 31    |             | 1   |       | DIODE - battery recharging for Tecumseh engine. For authorized service dealer replacement (Tecumseh #610935)  |
| 32    | GW-9910     | 1   | S     | LOCKWASHER-springlock, 1/4", for Tecumseh and Kohler engines  |
| 33    | GW-9800     | 1   | S     | NUT - hex., 1/4"-20 For all engines   |
| 34    | GW-20424    | 1   |       | WIRE HARNESS - for Briggs and Stratton engine. Complete assembly only.; Includes key switch receptacle with two red wires (with eyelets), one green wire, plastic harness tube. Order red recharging wire (Ref. No. 35) separately, if needed |
| 35    | GW-1554     | 1   | S     | WIRE-recharge (red), for Briggs & Stratton engine. Includes terminal and eyelet   |
| 36    | GW-9266     | A/R | S     | TIE - plastic, reusable   |
| 37    |             | 1   |       | LOCKWASHER - internal tooth, 1/4" Comes with engine-not avail. from Garden Way  |

2308 Horse III  
Forward/Neutral/Reverse Lever & Yoke Assembly

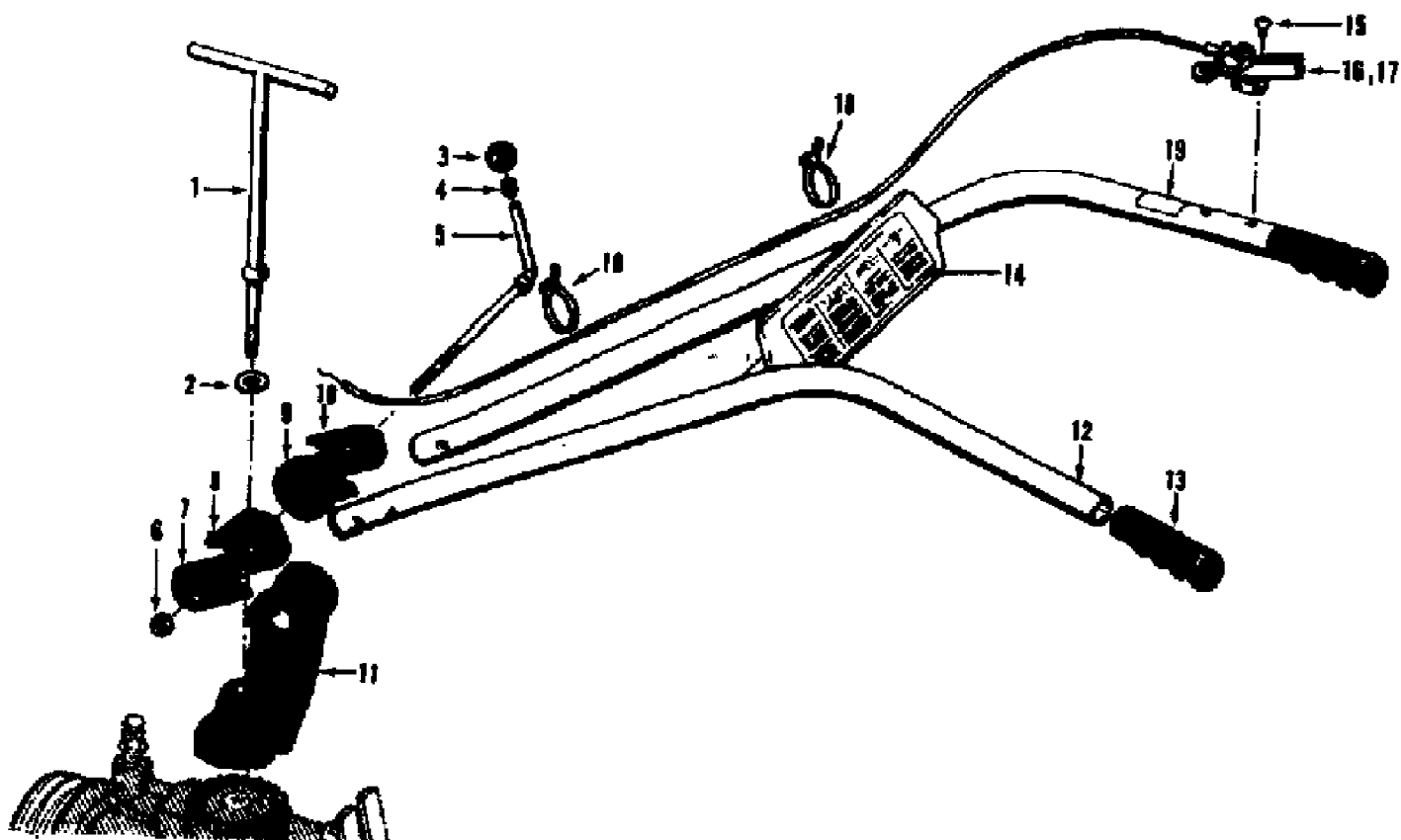




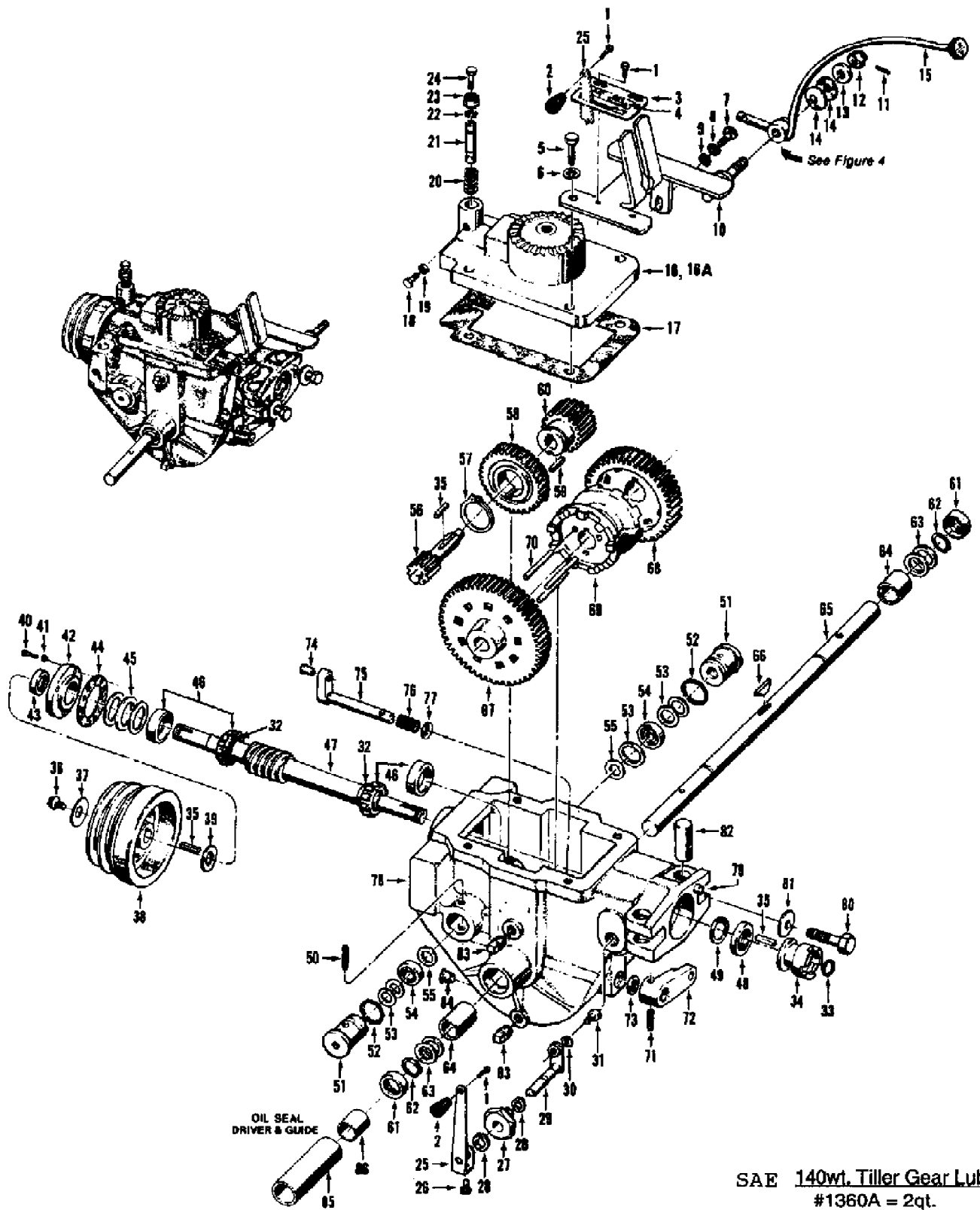
2308 Horse III  
Forward/Neutral/Reverse Lever & Yoke Assembly

Page 9 of 25

| Ref # | Part Number | Qty | S/P/F | Description  |
|-------|-------------|-----|-------|--|
| 1     | GW-2176     | 1   | S     | LEVER - forward/neutral/reverse Includes plastic knob with plastic decal inlay. Lever and knob available as complete assembly only |
| 2     | GW-2163     | 1   | S     | SPRING - clutch pawl   |
| 3     | GW-9466     | 3   | S     | BOLT - hex. hd., 5/16"-18 x 1-1/2"   |
| 4     | GW-2447     | 3   | /P    | BUSHING - 3/8" long Replaces 2160  |
| 5     | GW-9931     | 3   | S     | LOCKWASHER - external tooth, 5/16"   |
| 6     | GW-9801     | 3   | S     | NUT - hex., 5/16"-18   |
| 7     | GW-2162     | 1   | S     | ROLLER ASSEMBLY<br>-forward/neutral/reverse shift lever  |
| 8     | GW-2165-1   | 1   | S     | YOKE - left side   |
| 9     | GW-2165-2   | 1   | S     | YOKE - right side  |
| 10    | GW-2164     | 2   | S     | LINK- yoke pivot, left and right, & 7/8" long  |
| 11    | GW-9710     | 6   | S     | BOLT - hex. hd., 3/8"-18 x 1"  |
| 12    | GW-9913     | 6   | S     | LOCKWASHER - spring lock, 3/8"   |
| 13    | GW-9904     | 6   | S     | WASHER - flat, 3/8", S.A.E   |
| 14    | GW-2146     | 2   | /P    | BUSHING - spacer, 21/64"(.325") long, yoke to engine mount   |
| 15    | GW-9802     | 2   | S     | NUT - hex., 3/8"-16  |
| 16    | GW-1113-1   | 4   | S     | BUSHING - spacer, 19/64" (.300") long, yoke link   |
| 17    |             | 1   |       | KNOB - plastic knob not available separately due to special procedure required to attach knob to lever                             |



| Ref # | Part Number | Qty | S/P/F | Description  |
|-------|-------------|-----|-------|--|
| 1     | GW-1167     | 1   |       | CLAMP-T-bar, handlebar mounting For recoil or electric start models  |
| 2     | GW-9915     | 1   | S     | LOCKWASHER-spring lock 5/8"  |
| 3     | GW-9119     | 1   | /P    | KNOB -handlebar height adjustment  |
| 4     | GW-9120     | 1   | /P    | RING- retaining (tolerance ring)   |
| 5     | GW-1881     | 1   | /P    | STUD - handlebar height adjustment<br>Includes #9119 knob (Ref. #3) and #9803 nut (Ref. #6)  |
| 6     | GW-9803     | 1   | S     | NUT- hex., 1/2"-13   |
| 7     | GW-1021-1   | 1   | S     | CLAMP- handlebar height adjustment, left   |
| 8     | GW-1020-1   | 1   | S     | RATCHET- handlebar height adjustment, left   |
| 9     | GW-1020-2   | 1   | S     | RATCHET- handlebar height adjustment, right  |
| 10    | GW-1021-2   | 1   | S     | CLAMP - handlebar height adjustment, right   |
| 11    | GW-1019     | 1   |       | BASE- handlebar mounting   |
| 12    | GW-2214     | 1   |       | HANDLEBAR AND PANEL ASSEMBLY<br>(Includes Ref. No. 14, #2230 Decal, and two Ref. No. 13, #9118 Grip)   |
| 13    | GW-9118     | 2   | S     | GRIP-handlebar   |
| 14    | GW-2412     | 2   | /P    | DECAL- power unit operating instructions   |
| 15    | GW-9733     | 2   | /P    | SCREW - pan hot., #10-32 x 1/2", self-tapping  |
| 16    | GW-9015     | 1   |       | THROTTLE LEVER AND CABLE ASSEMBLY<br>- for 6 HP Tecumseh, 7 HP Kohler and 8 HP Briggs & Stratton engines. Does not include Ref. No. 15, #9733 Screw or Ref. No.18, 89116 Clip; Replaces 9240 |
|       | GW-9967     | 1   |       | THROTTLE LEVER AND CABLE ASSEMBLY<br>- For use with the 7 HP Tecumseh engine only  |
| 17    | GW-9033     | 1   |       | THROTTLE LEVER AND CABLE ASSEMBLY<br>- for 8 HP Kohler engine. Does not include Ref. No. 15, #97333 screw or Ref. No. 18, #9116 Clip   |
| 18    | GW-9202     | 2   | S     | TIE - plastic Secures throttle cable Replaces 9116   |
| 19    | GW-2449     | 1   |       | DECAL- throttle operation For Tecumseh and Kohler model engines only   |



| Ref # | Part Number | Qty | S/P/F | Description  |
|-------|-------------|-----|-------|--|
| 1     | GW-9782     | 3   | S     | BOLT - hex. hd., #10-32 x 3/8", self locking flange TRANSMISSION COVER & SHIFT LEVER BRACKET ASSEMBLIES  |
| 2     | GW-9463     | 1   | /P    | KNOB - tines/P.T.O. clutch lever, tapered, plastic TRANSMISSION COVER & SHIFT LEVER BRACKET ASSEMBLIES   |
| 3     | GW-2263     | 1   | /P    | DETENT PLATE - tines/P.T.O. clutch lever Includes #2139 operating decal (Ref. #4); TRANSMISSION COVER & SHIFT LEVER BRACKET ASSEMBLIES           |
| 4     | GW-2139     | 1   | S     | DECAL - operating instructions, detent plate TRANSMISSION COVER & SHIFT LEVER BRACKET ASSEMBLIES   |
| 5     | GW-9558     | 4   |       | BOLT - hex hd., 3/8"-16 x 1-1/2", transmission cover Replaces 9713; TRANSMISSION COVER & SHIFT LEVER BRACKET ASSEMBLIES                          |
| 6     | GW-9913     | 4   | S     | LOCKWASHER-springlock, 3/8" TRANSMISSION COVER & SHIFT LEVER BRACKET ASSEMBLIES  |
| 7     | GW-9575     | 1   | S     | BOLT- hex. hd., 5/16"-18 x 3/4", Grade 5, lever bracket to housing TRANSMISSION COVER & SHIFT LEVER BRACKET ASSEMBLIES                           |
| 8     | GW-9912     | 1   | S     | LOCKWASHER - spring lock, 5/16" TRANSMISSION COVER & SHIFT LEVER BRACKET ASSEMBLIES  |
| 9     | GW-9902     | 1   | S     | WASHER - flat, 5/16", S.A.E TRANSMISSION COVER & SHIFT LEVER BRACKET ASSEMBLIES  |
| 10    | GW-2149     | 1   | S     | BRACKET- shift levers TRANSMISSION COVER & SHIFT LEVER BRACKET ASSEMBLIES  |
| 11    | GW-9362     | 1   | /P    | PIN - spring, 1/8" diameter TRANSMISSION COVER & SHIFT LEVER BRACKET ASSEMBLIES  |
| 12    | GW-9838     | 1   |       | NUT-castle (slotted), 1/2"-20 Call Technical Service Department for tightening Instructions; TRANSMISSION COVER & SHIFT LEVER BRACKET ASSEMBLIES |
| 13    | GW-9934     | 1   | /P    | WASHER - shoulder, 1/2" (shoulder faces disc washers) TRANSMISSION COVER & SHIFT LEVER BRACKET ASSEMBLIES  |
| 14    | GW-9932     | 2   | /P    | WASHER - disc spring (concave surfaces face each other) TRANSMISSION COVER & SHIFT LEVER BRACKET ASSEMBLIES                                      |

| Ref # | Part Number | Qty | S/P/F | Description   |
|-------|-------------|-----|-------|---|
| 15    |             | 1   |       | LEVER - wheel speed shift Shown for reference only; TRANSMISSION COVER & SHIFT LEVER BRACKET ASSEMBLIES   |
| 16    | GW-1103     | 1   |       | COVER- power unit transmission housing<br>TRANSMISSION COVER & SHIFT LEVER BRACKET ASSEMBLIES   |
| 16A   | GW-1508     | 1   | S     | COVER - power unit transmission housing<br>Completely assembled with neutral spring assembly parts (Ref. #'s 18,19,20, 21,22, 23 and 24); TRANSMISSION COVER & SHIFT LEVER BRACKET ASSEMBLIES |
| 17    | GW-1123     | 1   | /P    | GASKET- transmission cover<br>TRANSMISSION COVER & SHIFT LEVER BRACKET ASSEMBLIES   |
| 18    | GW-9751     | 1   | S     | BOLT - hex. hd., 5/16"-18 x 1", Grade 5<br>Retains neutral plunger (REMOVE WITH CARE). See Ref. #'s 20 & 21;<br>TRANSMISSION COVER & SHIFT LEVER BRACKET ASSEMBLIES                           |
| 19    | GW-9801     | 1   | S     | NUT- hex., 5/16"-18 TRANSMISSION COVER & SHIFT LEVER BRACKET ASSEMBLIES   |
| 20    | GW-1496     | 1   | S     | SPRING- neutral plunger (REMOVE WITH CARE) TRANSMISSION COVER & SHIFT LEVER BRACKET ASSEMBLIES  |
| 21    | GW-1035     | 1   | /P    | PLUNGER -neutral (REMOVE WITH CARE)<br>Includes #9504 clip ring (Ref. #22);<br>TRANSMISSION COVER & SHIFT LEVER BRACKET ASSEMBLIES  |
| 22    | GW-9504     | 1   | S     | CUP RING - retains neutral plunger<br>TRANSMISSION COVER & SHIFT LEVER BRACKET ASSEMBLIES   |
| 23    | GW-9831     | 1   | S     | NUT- hex., flange locknut, 3/8"-16<br>TRANSMISSION COVER & SHIFT LEVER BRACKET ASSEMBLIES   |
| 24    | GW-9558     | 1   |       | BOLT- hex. hd., 3/8"-16 x 1-1/2", threaded full length TRANSMISSION COVER & SHIFT LEVER BRACKET ASSEMBLIES  |
| 25    | GW-2122     | 1   | S     | LEVER - eccentric, tines/P.T.O. clutch<br>TINES/P.T.O. CLUTCH LEVER ASSEMBLY;<br>(Also see Ref. #'s 1, 2, 3 and 4 listed above.)  |
| 26    | GW-9743     | 1   | S     | BOLT - hex. hd., 1/4"-20 x 1/2" TINES/P.T.O.<br>CLUTCH LEVER ASSEMBLY   |
| 27    | GW-2123     | 1   | S     | BUSHING -tines/P.T.O. clutch lever eccentric shaft<br>TINES/P.T.O. CLUTCH LEVER ASSEMBLY  |

| Ref # | Part Number | Qty | S/P/F | Description  |
|-------|-------------|-----|-------|--|
| 28    | GW-9516     | 2   | /P    | RETAINING RING - (snap ring), external<br>TINES/P.T.O. CLUTCH LEVER ASSEMBLY   |
| 29    | GW-2130     | 1   | S     | ECCENTRIC - shaft, tines/P.T.O. clutch lever<br>TINES/P.T.O. CLUTCH LEVER ASSEMBLY   |
| 30    | GW-9911     | 1   | /P    | LOCKWASHER- Hi-collar, 1/4" TINES/P.T.O.<br>CLUTCH LEVER ASSEMBLY  |
| 31    | GW-9672     | 1   | S     | SCREW - socket hd., 1/4"-20 x 3/8" For use<br>with Tiller Serial Nos. 771566 & Above.;<br>TINES/P.T.O. CLUTCH LEVER ASSEMBLY   |
| 32    | GW-50043    | 2   | S     | WASHER- shoulder (drive shaft) DRIVE<br>SHAFT ASSEMBLY   |
| 33    | GW-9500     | 1   | S     | RETAINING RING -(snap ring), external<br>Retains dog clutch to drive shaft; DRIVE<br>SHAFT ASSEMBLY  |
| 34    | GW-21203    | 1   |       | DOG CLUTCH - power unit Replaces<br>2120-2; For use with Tiller Serial Nos. 771566<br>& Above. For Serial Nos. 771565 & Below<br>order #2120-2 dog clutch; DRIVE SHAFT<br>ASSEMBLY |
| 35    | GW-9301     | 3   | S     | KEY - 3/16" square x 1" (used on drive shaft<br>and pinion shaft); DRIVE SHAFT ASSEMBLY  |
| 36    | GW-9655     | 1   | S     | BOLT - hex. hd., 5/16"-24 x 3/4", self-locking<br>flange, Grade 5 Replaces 9799; DRIVE<br>SHAFT ASSEMBLY   |
| 37    | GW-9944     | 1   | S     | WASHER - disc spring (concave). Domed<br>side of washer faces bolt head DRIVE<br>SHAFT ASSEMBLY  |
| 38    | GW-2107     | 1   | /P    | PULLEY - transmission drive, cast iron<br>DRIVE SHAFT ASSEMBLY   |
| 39    | GW-50027    | 1   | /P    | WASHER-flat, hardened shoulder, 1-1/4"<br>DRIVE SHAFT ASSEMBLY   |
| 40    | GW-9701     | 3   | S     | BOLT- hex. hd., 1/4"-20 x 3/4", front bearing<br>cap DRIVE SHAFT ASSEMBLY  |
| 41    | GW-9910     | 3   | S     | LOCKWASHER-springlock, 1/4" DRIVE<br>SHAFT ASSEMBLY  |
| 42    | GW-2424     | 1   | S     | CAP - front bearing Replaces 1114; DRIVE<br>SHAFT ASSEMBLY   |
| 43    | GW-9600     | 1   | S     | SEAL-oil front bearing cap DRIVE SHAFT<br>ASSEMBLY   |
| 44    | GW-1124-2   | 1   | S     | GASKET- front bearing cap DRIVE SHAFT<br>ASSEMBLY  |
| 45    | GW-1224-1   | A/R | S     | SHIM - front bearing cap, .010" thick DRIVE<br>SHAFT ASSEMBLY  |

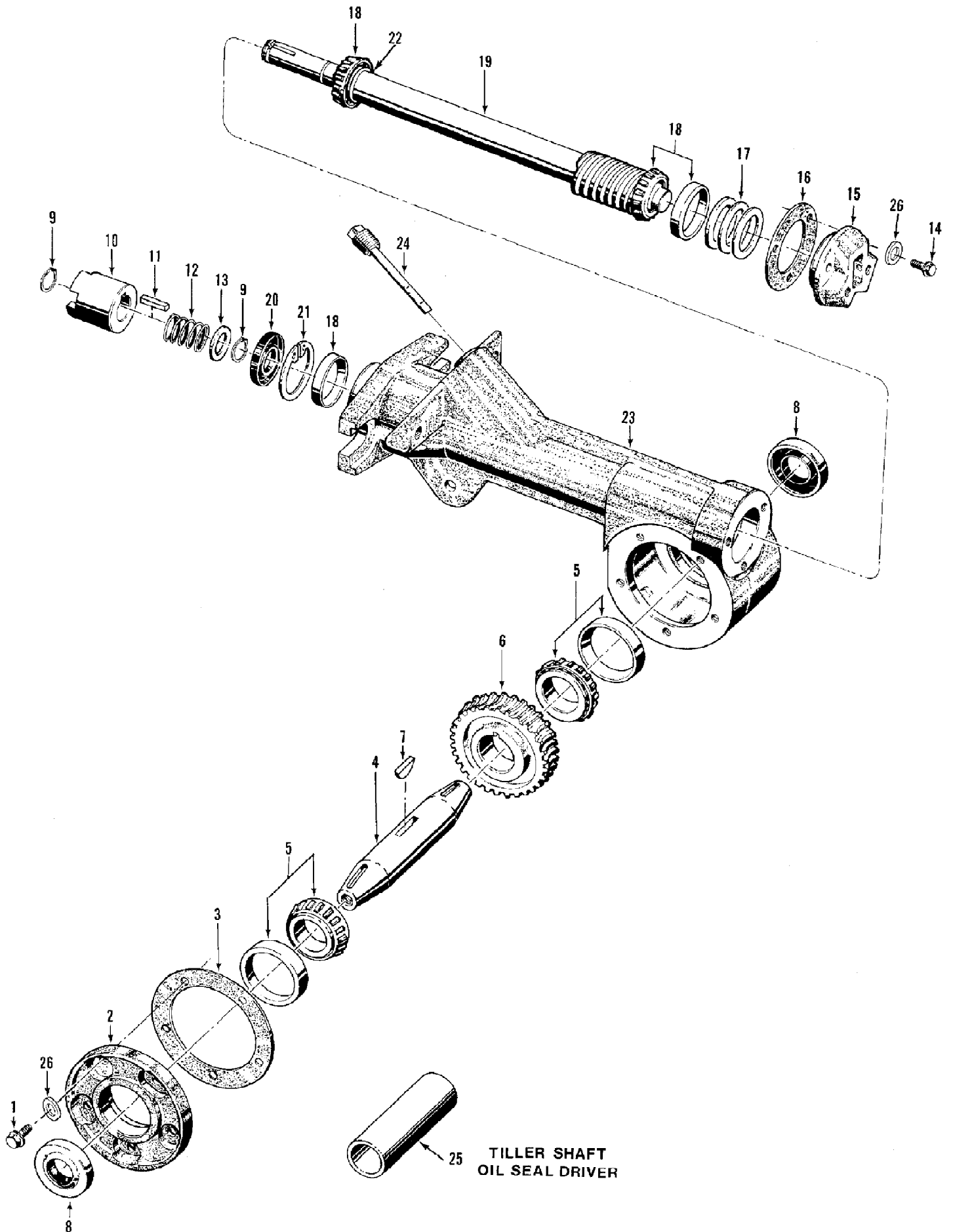
| Ref # | Part Number | Qty | S/P/F | Description   |
|-------|-------------|-----|-------|---|
| 45    | GW-1224-2   | A/R | S     | SHIM - same as above, .030" thick DRIVE SHAFT ASSEMBLY  |
| 45    | GW-1224-3   | A/R | S     | SHIM - same as above, .005" thick DRIVE SHAFT ASSEMBLY  |
| 45    | GW-1224-4   | A/R | S     | SHIM- same as above, .062" thick DRIVE SHAFT ASSEMBLY   |
| 46    | GW-1714     | 2   | S     | BEARING & CUP - tapered cone roller bearing with cup (race). Cone and cup sold as set only DRIVE SHAFT ASSEMBLY   |
| 47    | GW-1985     | 1   |       | SHAFT - main drive, power unit Includes welded-on worm, two pressed-on cone roller bearings, two bearing cups, and two shoulder washers; DRIVE SHAFT ASSEMBLY                       |
| 48    | GW-9617     | 1   | S     | SEAL - oil, drive shaft, rear DRIVE SHAFT ASSEMBLY  |
| 49    | GW-9517     | 1   | S     | RETAINING RING -(snap ring), internal. Retains rear bearing cup DRIVE SHAFT ASSEMBLY  |
| 50    | GW-9309     | 2   | S     | PIN-roll (spirol, 1/4" x 2", retains #1060A plug (Ref.#51) PINION SHAFT ASSEMBLY  |
| 51    | GW-1060A    | 2   | /P    | PLUG-retaining, pinion bearing Includes #98040 - Ring (Ref. #52); PINION SHAFT ASSEMBLY   |
| 52    | GW-9604     | 2   | /P    | O-RING - retaining plug PINION SHAFT ASSEMBLY   |
| 53    | GW-1132-1   | A/R | /P    | SHIM - retaining plug, 1-1/64" inner dia., .033" thick. Note: On right side only, one #1132-1 shim is also used between bearing and washer (Ref #'s 54 & 55); PINION SHAFT ASSEMBLY |
| 53    | GW-1132-2   | A/R | /P    | SHIM- same as above, .062" thick PINION SHAFT ASSEMBLY  |
| 53    | GW-1132-3   | A/R | /P    | SHIM - same as above, .010" thick PINION SHAFT ASSEMBLY   |
| 54    | GW-9404     | 2   | /P    | BEARING - ball, pinion shaft PINION SHAFT ASSEMBLY  |
| 55    | GW-1126     | 2   | /P    | WASHER - pinion shaft One used on left and right sides.; PINION SHAFT ASSEMBLY  |
| 56    | GW-1222     | 1   | /P    | STEM PINION - slow speed gear and shaft (drives slow speed wheel gear) PINION SHAFT ASSEMBLY  |
| 57    | GW-9502     | 1   | /P    | RETAINING RING - (snap ring), external. Retains high speed pinion gear to bronze worm gear PINION SHAFT ASSEMBLY  |



| Ref # | Part Number | Qty | S/P/F | Description  |
|-------|-------------|-----|-------|--|
| 58    | GW-1221     | 1   |       | WORM GEAR - bronze, wheel drive. Driven by worm on drive shaft PINION SHAFT ASSEMBLY   |
| 59    | GW-9300     | 1   | /P    | KEY-3/16" square x 5/8" Connects fast speed pinion gear to bronze worn gear PINION SHAFT ASSEMBLY  |
| 60    | GW-1233     | 1   | /P    | GEAR- fast speed pinion (drives fast speed wheel gear) PINION SHAFT ASSEMBLY   |
| 61    | GW-9609     | 2   | S     | SEAL-oil, wheel shaft WHEEL SHAFT ASSEMBLY   |
| 62    | GW-9511     | 2   | S     | RETAINING RING-(snapping), external. Retains wheel shaft inside bore WHEEL SHAFT ASSEMBLY  |
| 63    | GW-1166-1   | A/R | S     | SHIM- wheel shaft, 1-1/64" inner dia, .062" thick WHEEL SHAFT ASSEMBLY   |
| 63    | GW-1166-2   | A/R | /P    | SHIM - same as above, .030" thick WHEEL SHAFT ASSEMBLY   |
| 63    | GW-1166-3   | A/R | /P    | SHIM - same as above, .015" thick WHEEL SHAFT ASSEMBLY   |
| 63    | GW-1166-4   | A/R | S     | SHIM - same as above, .010" thick WHEEL SHAFT ASSEMBLY   |
| 63    | GW-1166-5   | A/R | S     | SHIM -same as above, .005" thick WHEEL SHAFT ASSEMBLY  |
| 64    | GW-1086     | 2   | S     | BUSHING-bronze, wheel shaft bearing WHEEL SHAFT ASSEMBLY   |
| 65    | GW-1878     | 1   | /P    | SHAFT - wheel, 15-5/8" Includes #9357 key (Ref. #66) and two #9511 retaining rings (Ref. #62); WHEEL SHAFT ASSEMBLY                                    |
| 66    | GW-9357     | 1   | S     | KEY- Hi Pro, 1/4" x 1 3/4" Connects wheel shaft to clutch WHEEL SHAFT ASSEMBLY   |
| 67    | GW-1223     | 1   | /P    | GEAR- slow speed, wheel drive WHEEL SHAFT ASSEMBLY   |
| 68    | GW-1232     | 1   | /P    | GEAR- fast speed, wheel drive WHEEL SHAFT ASSEMBLY   |
| 69    | GW-1237     | 1   | /P    | DOG CLUTCH - wheel drive. Clutch drives either slow or fast wheel drive gears according to wheel speed shift lever gear selection WHEEL SHAFT ASSEMBLY |
| 70    | GW-1112     | 3   | /P    | PIN - clutch guide, 1/4" diameter WHEEL SHAFT ASSEMBLY   |
| 71    | GW-9307     | 1   | S     | PIN-roll (spiral), 3/16" x 1-1/4". Retains eccentric lever to eccentric shaft ECCENTRIC SHAFT ASSEMBLY   |

| Ref # | Part Number | Qty | S/P/F | Description  |
|-------|-------------|-----|-------|--|
| 72    | GW-1029     | 1   | S     | LEVER- eccentric, wheel speed shifting<br>ECCENTRIC SHAFT ASSEMBLY   |
| 73    | GW-9622     | 1   | S     | SEAL -oil, eccentric shaft Replaces 9611;<br>ECCENTRIC SHAFT ASSEMBLY  |
| 74    | GW-1442     | 1   | S     | PIN - eccentric shaft, wheel speed shifting<br>ECCENTRIC SHAFT ASSEMBLY  |
| 75    | GW-1568     | 1   | S     | ECCENTRIC SHAFT- wheel speed shifting<br>ECCENTRIC SHAFT ASSEMBLY  |
| 76    | GW-1441     | 1   | /P    | SPRING - eccentric shaft ECCENTRIC<br>SHAFT ASSEMBLY   |
| 77    | GW-1440     | 1   | S     | WASHER- eccentric shaft ECCENTRIC<br>SHAFT ASSEMBLY  |
| 78    | GW-2260     | 1   | S     | HOUSING - power unit transmission Includes<br>#9359 alignment pin (Ref. #79);<br>TRANSMISSION HOUSING; Empty housing<br>without covers, shafts, gears, seals, etc. Call<br>Factory Technical Service Dept before<br>ordering; TRANSMISSION HOUSING |
| 79    | GW-9359     | 1   | /P    | PIN -alignment (aligns power unit housing<br>with tiller attachment housing)<br>TRANSMISSION HOUSING   |
| 80    | GW-9660     | 2   |       | BOLT-hex. hd., 1/2"-13 x 2", Grade 5.<br>Connects power unit and tiller attachment<br>housings MISCELLANEOUS PARTS   |
| 81    | GW-9928     | 2   | /P    | WASHER-disc spring (concave). Dome side<br>of washer faces bolt head<br>MISCELLANEOUS PARTS  |
| 82    | GW-2126     | 2   |       | POST- with threaded hole for #9560 bolt<br>(Ref. #60); MISCELLANEOUS PARTS   |
| 83    | GW-9726     | 2   | S     | PLUG - pipe, 1/4". Oil level check plug and oil<br>drain plug MISCELLANEOUS PARTS  |
| 84    | GW-9122     | 1   | /P    | PLUG - red plastic, thread protector<br>MISCELLANEOUS PARTS  |
| 85    | GW-4921-1   | 1   |       | OIL SEAL DRIVER - for wheel shaft oil seals<br>(use with Part #4921-2 Driver Guide);<br>MISCELLANEOUS PARTS  |
| 86    | GW-4921-2   | 1   |       | OIL SEAL DRIVER GUIDE - for wheel shaft<br>oil seals (use with Part #4921-1 Seal Driver);<br>MISCELLANEOUS PARTS   |

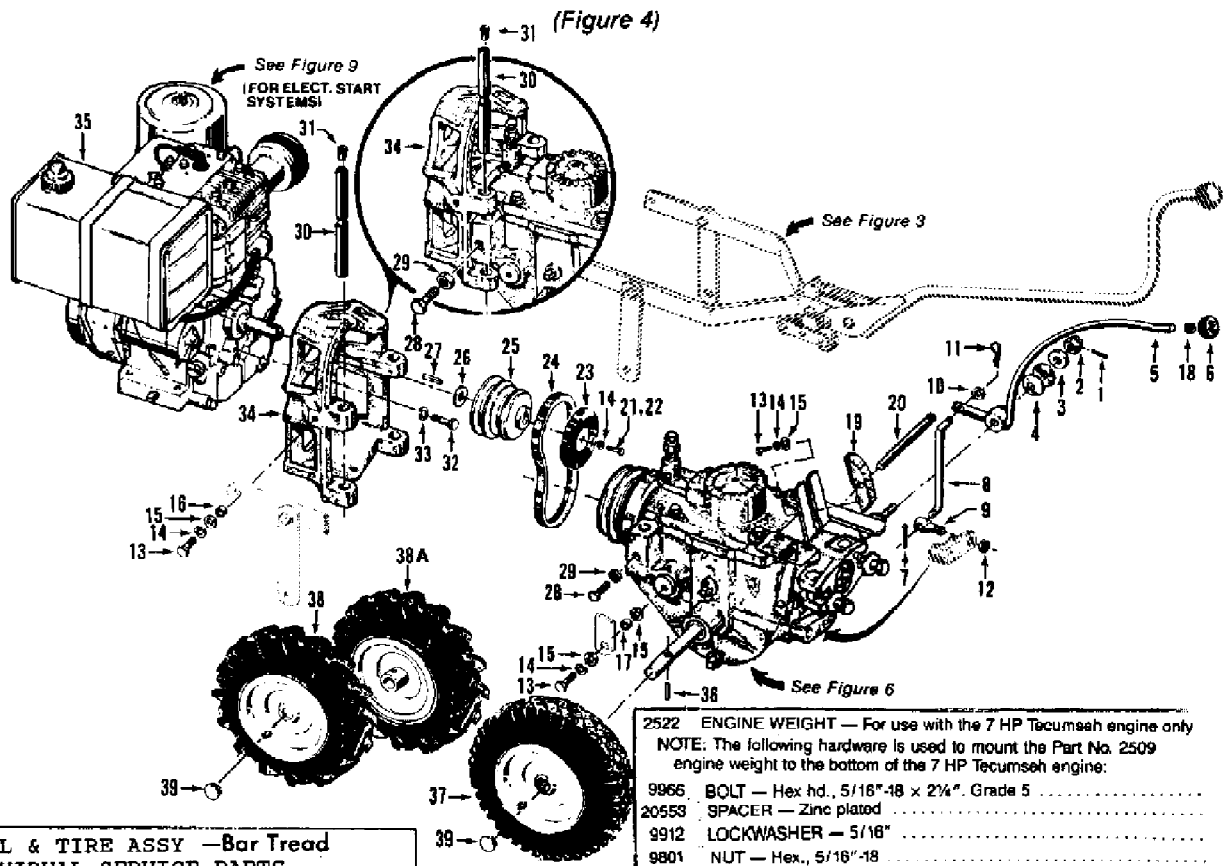
2308 Horse III  
Tiller Attachment Transmission Assemblies



| Ref # | Part Number | Qty | S/P/F | Description  |
|-------|-------------|-----|-------|--|
| 1     | GW-9780     | 5   | S     | BOLT - hex. hd., 1/4"-20 x 5/8", self-locking flange TILLER TINE SHAFT ASSEMBLY  |
| 2     | GW-2451     | 1   | S     | COVER- tiller housing Includes five #9780 bolts (Ref.No.1); TILLER TINE SHAFT ASSEMBLY   |
| 3     | GW-1129-1   | 1   | S     | GASKET- tiller housing cover, .010" thick TILLER TINE SHAFT ASSEMBLY A/R   |
| 3     | GW-1129-2   | 1   | S     | GASKET- same as above, .030" thick TILLER TINE SHAFT ASSEMBLY A/R  |
| 4     | GW-1026A    | 1   | /P    | SHAFT-tiller tine Includes #1104 key(Ref. #7); TILLER TINE SHAFT ASSEMBLY  |
| 5     | GW-11522    | 2   |       | BEARING & CUP - tapered cone roller bearing with cup (race). Cone and cup sold as set only TILLER TINE SHAFT ASSEMBLY includes 741-3050 cup and 741-3051 cone. Use with GW-11527 |
| 6     | GW-1064     | 1   | S     | WORM GEAR-bronze, tiller tine shaft. Driven by worm on tiller driven shaft TILLER TINE SHAFT ASSEMBLY Use GW-11527   |
| 6     | GW-11527    | 1   | /P    | Kit-Tiller Gear, Cones & Cups. TILLER TINE SHAFT ASSEMBLY includes two 741-3050 cups and two 741-3051 cones. Use with GW-11522   |
| 7     | GW-1104     | 1   | /P    | KEY - tiller tine shaft. Woodruff key with ends ground TILLER TINE SHAFT ASSEMBLY  |
| 8     | GW-9618     | 2   | S     | SEAL-oil, tiller tine shaft Replaces 9616; TILLER TINE SHAFT ASSEMBLY  |
| 9     | GW-9500     | 2   | S     | RETAINING RING -(snapping),external. Retains dog clutch to shaft TILLER DRIVE SHAFT ASSEMBLY   |
| 10    | GW-2120-1   | 1   | S     | DOG CLUTCH - tiller drive shaft TILLER DRIVE SHAFT ASSEMBLY  |
| 11    | GW-9301     | 1   | S     | KEY-3/16" square X 1",dog clutch to tiller driveshaft TILLER DRIVE SHAFT ASSEMBLY  |
| 12    | GW-2127     | 1   | /P    | SPRING - dog clutch TILLER DRIVE SHAFT ASSEMBLY  |
| 13    | GW-1138-1   | 1   | S     | SHIM - dog clutch, 1/16" (.062") thick TILLER DRIVE SHAFT ASSEMBLY   |
| 14    | GW-9773     | 3   | S     | BOLT - hex. hd., 1/4"-20 x 7/8", self locking flange TILLER DRIVE SHAFT ASSEMBLY   |
| 15    | GW-1115     | 1   | S     | CAP -rear bearing TILLER DRIVE SHAFT ASSEMBLY  |

| Ref # | Part Number | Qty | S/P/F | Description  |
|-------|-------------|-----|-------|--|
| 16    | GW-1124-2   | 1   | S     | GASKET -rear bearing cap TILLER DRIVE SHAFT ASSEMBLY   |
| 17    | GW-1224-1   | 1   | S     | SHIM - front bearing cap, .010" thick TILLER DRIVE SHAFT ASSEMBLY A/R  |
| 17    | GW-1224-2   | 1   | S     | SHIM - same as above, .030" thick TILLER DRIVE SHAFT ASSEMBLY A/R  |
| 17    | GW-1224-3   | 1   | S     | SHIM - same as above, .005" thick TILLER DRIVE SHAFT ASSEMBLY A/R  |
| 17    | GW-1224-4   | 1   | S     | SHIM - same as above, .062" thick TILLER DRIVE SHAFT ASSEMBLY A/R  |
| 18    | GW-1714     | 2   | S     | BEARING & CUP - tapered cone roller bearing with cup (race). Cone and cup sold as set only TILLER DRIVE SHAFT ASSEMBLY   |
| 19    | GW-1986     | 1   |       | SHAFT- main tiller drive ; TILLER DRIVE SHAFT ASSEMBLY Includes welded-on worm gear, two pressed-on cone roller bearings, two bearing cups (Ref.#18) and one shoulder washer .766 X 1.0                |
| 20    | GW-9617     | 1   | S     | SEAL- oil, drive shaft, front TILLER DRIVE SHAFT ASSEMBLY  |
| 21    | GW-9517     | 1   | S     | RETAINING RING -(snapping),internal. Retains front bearing cup TILLER DRIVE SHAFT ASSEMBLY   |
| 22    | GW-50043    | 1   | S     | WASHER - shoulder (drive shaft) TILLER DRIVE SHAFT ASSEMBLY  |
| 23    | GW-2206     | 1   |       | HOUSING - tiller attachment TRANSMISSION HOUSING AND DIPSTICK Includes pressed-on sleeve in front of housing and one tine shaft bearing cone 741-3051 & cup 741-3050 mounted in right side of housing. |
| 24    | GW-2136     | 1   |       | DIPSTICK- oil level, tiller attachment TRANSMISSION HOUSING AND DIPSTICK   |
| 25    | N/A         | 1   |       | OIL SEAL DRIVER - for tiller shaft oil seals Purchase locally  |
| 26    | GW-9945     | 8   |       | WASHER-1/4",plastic MISCELLANEOUS PARTS  |
|       | 737-04040   | 1   | /P    | Transmission Oil, Gear. Quart  |

Wheel Speed Lever, Belt Drive System, Engines, Wheels



WHEEL & TIRE ASSY - Bar Tread  
 INDIVIDUAL SERVICE PARTS  
 # 1234-1 - TIRE ONLY  
 # 2708 - WHEEL RIM ONLY (GREY)

|  |  |   |
|--|--|---|
| 2522   | ENGINE WEIGHT — For use with the 7 HP Tecumseh engine only | 1 |
| NOTE: The following hardware is used to mount the Part No. 2509 engine weight to the bottom of the 7 HP Tecumseh engine: |  |   |
| 9966   | BOLT — Hex hd., 5/16" x 2 1/4", Grade 5                    | 2 |
| 20553  | SPACER — Zinc plated                                       | 2 |
| 9912   | LOCKWASHER — 5/16"   | 2 |
| 9801   | NUT — Hex., 5/16" x 18                                     | 2 |

## Wheel Speed Lever, Belt Drive System, Engines, Wheels

| Ref # | Part Number | Qty | S/P/F | Description   |
|-------|-------------|-----|-------|---|
| 1     | GW-9362     | 1   | /P    | PIN - spring, 1/8" dia., retains castle nut to threaded stud  |
| 2     | GW-9838     | 1   |       | NUT-castle (slotted), 1/2"-20.  |
| 3     | GW-9934     | 1   | /P    | WASHER- shoulder, 1/2" (shoulder faces disc washers)  |
| 4     | GW-9932     | 2   | /P    | WASHER- disc spring (concave surfaces face each other)  |
| 5     | GW-2261     | 1   | S     | LEVER - wheel speed shift Includes #2244 knob (Ref. #8) and 199120 retaining ring (Ref. #18)                      |
| 6     | GW-2244     | 1   | S     | KNOB - wheel speed shift lever Includes #9120 retaining ring (Ref. 1118) and plastic decal inlay                  |
| 7     | GW-9317     | 1   | /P    | PIN - cotter, 3/32" x 1"  |
| 8     | GW-1231     | 1   | /P    | ROD - connecting rod, wheel speed shift lever   |
| 9     | GW-1033     | 1   | /P    | SWIVEL - connecting rod   |
| 10    | GW-9902     | 1   | S     | WASHER - flat, 5/16", S.A.E.  |
| 11    | GW-9338     | 1   | S     | PIN - hair cotter   |
| 12    | GW-9608     | 1   |       | LOCKNUT-hex. hd., 5/16"-18, retains swivel to eccentric lever   |
| 13    | GW-9710     | 5   | S     | BOLT - hex. hd., 3/8"-16 x 1"   |
| 14    | GW-9913     | 6   | S     | LOCKWASHER - springlock, 3/8"   |
| 15    | GW-9904     | 7   | S     | WASHER - flat, 3/8", S.A.E. 9903  |
| 16    | GW-2146     | 2   | /P    | BUSHING - spacer, 21/64" (.325") long, yoke to engine mount   |
| 17    | GW-1113-1   | 2   | S     | BUSHING - spacer, 19/64" (.300") long, yoke link to retaining plug  |
| 18    | GW-9120     | 1   | /P    | RING - retaining (tolerance ring)   |
| 19    | GW-1920     | 1   | /P    | BLOCK - belt adjustment, 3-7/8" long Includes mounting hardware and belt adjustment rod (Ref. #'s 13,14,15, & 20) |
| 20    | GW-2100     | 1   | /P    | ROD - belt adjustment, 7" long, with measuring gauge  |
| 21    | GW-9738     | 1   | S     | BOLT - hex. hd., 3/8"-24 x 1-3/4", engine pulley  |
| 22    | GW-9715     | 1   | S     | BOLT - hex. hd., 3/8"-24 x 1-1/2", engine pulley For Kohler and Briggs & Stratton Engines                         |
| 23    | GW-1919     | 1   | /P    | DISC-reverse, rubber rimmed Includes #1920 belt adjustment block (Ref.#19)  |
|       | GW-2111     | 1   | S     | DISC ONLY-reverse, rubber rimmed  |
| 24    | GW-9245     | 1   | /P    | BELT -forward drive   |
| 25    | GW-1483     | 1   | S     | PULLEY- engine P.T.O. (Power Take Off)  |
| 26    | GW-1138-1   | A/R | S     | SHIM - engine pulley, 1/16" thick   |
| 26    | GW-1138-2   | A/R | S     | SHIM - same as above, 1/32" thick   |
| 27    | GW-9303     | 1   | /P    | KEY - engine pulley, 3/16" square x 2-1/2"  |

| Ref # | Part Number | Qty | S/P/F | Description   |
|-------|-------------|-----|-------|---|
| 28    | GW-9751     | 2   | S     | BOLT -hex. hd., 5/16"-18 x 1", Grades. Retains engine mounting bar ENGINES AND ENGINE MOUNT   |
| 29    | GW-9801     | 2   | S     | NUT -hex., 5/16"-18 (jam nut) ENGINES AND ENGINE MOUNT  |
| 30    | GW-1034     | 2   | S     | BAR- engine mounting ENGINES AND ENGINE MOUNT   |
| 31    | GW-9147     | 2   | /P    | PLUG - thread protector, red plastic ENGINES AND ENGINE MOUNT   |
| 32    | GW-9572     | 4   | S     | BOLT- hex. hd., 5/16"-24 x 1-1/8", engine mounting ENGINES AND ENGINE MOUNT   |
| 33    | GW-9912     | 4   | S     | LOCKWASHER-springlock, 5/16" ENGINES AND ENGINE MOUNT   |
| 34    | GW-1960     | 1   |       | MOUNT- engine to tiller Includes four #9572 mounting bolts (Ref.#32); ; ENGINES AND ENGINE MOUNT  |
| 35    |             | 1   |       | TECUMSEH ENGINE - 6 HP, recoil start, Model HH60, Specification 105126J, solid state electronic ignition, horizontal crankshaft is turned down to 3/4" at PTO end to accept engine pulley; ENGINES AND ENGINE MOUNT                                 |
|       |             | 1   |       | TECUMSEH ENGINE - 6 HP, electric start, Model HH-60, Specification 105127J Same as Part No. 10226 engine, but with electric start.; ENGINES AND ENGINE MOUNT  |
|       |             | 1   |       | 7 HP TECUMSEH ENGINE-Recoil start Model #HMXL700.132501; ENGINES AND ENGINE MOUNT   |
|       |             | 1   |       | 7 HP TECUMSEH ENGINE-Electric start Model #HMXL70-132502; ENGINES AND ENGINE MOUNT  |
|       |             | 1   |       | KOHLER ENGINE-8 HP Magnum, recoil start Model M8T, Specification P5.301512, solid state electronic ignition, horizontal crankshaft is turned down to 3/4" at PTO end to accept engine pulley; ENGINES AND ENGINE MOUNT                              |
|       |             | 1   |       | KOHLER ENGINE - 8 HP Magnum, electric start Model MBS, Specification PS-301513. Same as Part No. 10203 engine, but with electric start. For use with tillers already equipped with Key Switch Starting System (GRID D-13); ENGINES AND ENGINE MOUNT |



| Ref # | Part Number | Qty | S/P/F | Description  |
|-------|-------------|-----|-------|--|
| 36    | GW-9322     | 2   | S     | PIN -roll (spirol, 5/16" x 1-1/2" long, wheel hub to shaft WHEEL & TIRE ASSEMBLIES   |
| 37    | GW-9142     | 2   |       | WHEEL & TIRE ASSEMBLY - standard tread, LEFT SIDE 4:00/4:80 x 8" tubeless tire with valve stem, mounted on single-piece steel wheel. WHEEL & TIRE ASSEMBLIES |
| 38    | GW-9143     | 1   | S/F   | WHEEL & TIRE ASSEMBLY - bar tread, LEFT SIDE 4:80 x 8" tubeless tire with valve stem, mounted on single-piece steel wheel. WHEEL & TIRE ASSEMBLIES           |
| 38A   | GW-9144     | 1   | S/F   | WHEEL & TIRE ASSEMBLY - bar tread, RIGHT SIDE. Same as #9143 but for right side of tiller; WHEEL & TIRE ASSEMBLIES   |
| 39    | GW-9145     | 2   | S     | CAP - wheel hub WHEEL & TIRE ASSEMBLIES  |