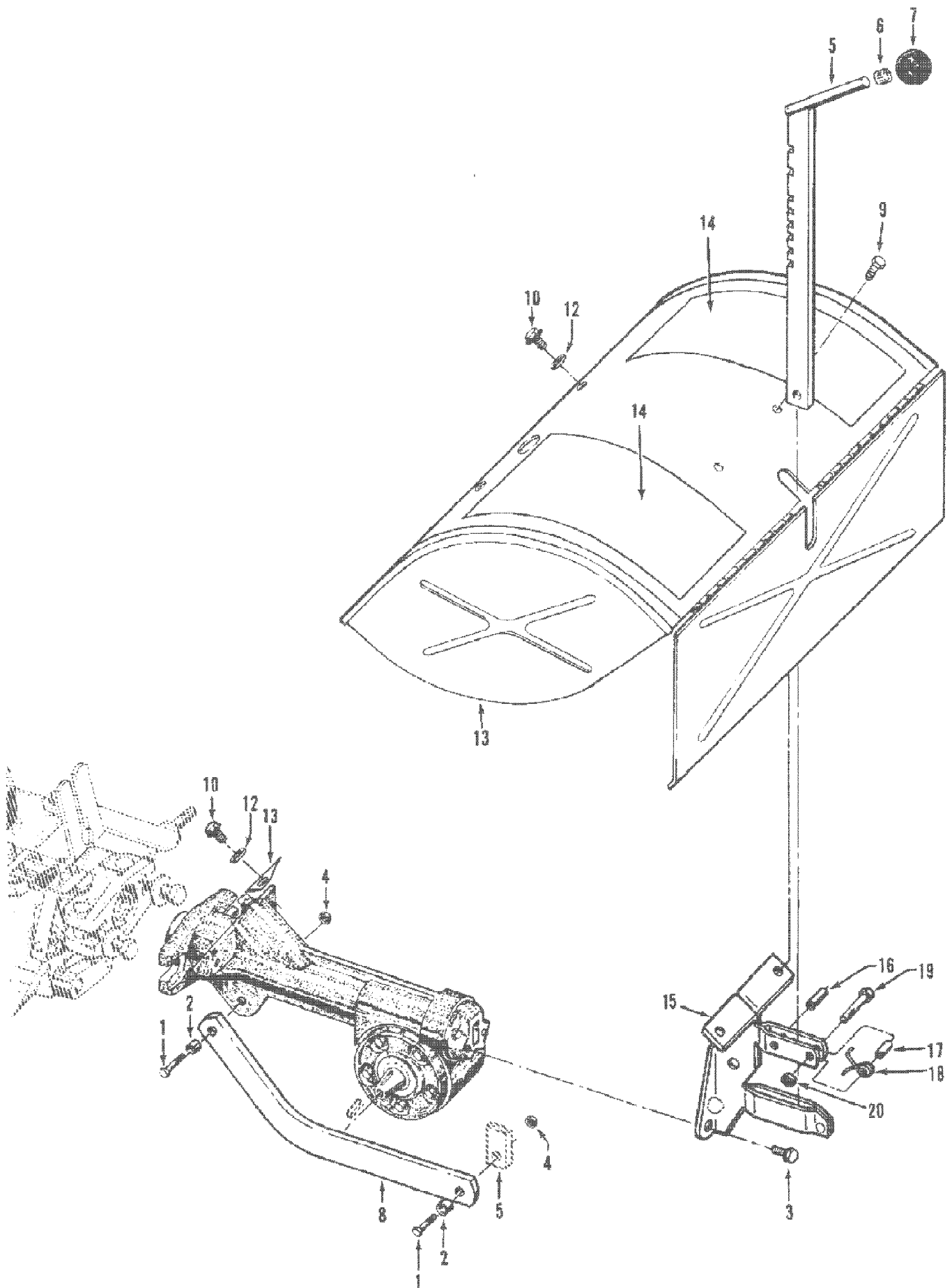


21AE683F766 8HP Elec Roto-Tiller (2006)
Bolo Tines Assemblies

Page 2 of 20

Ref #	Part Number	Qty	S/P/F	Description
1	1901975	2	S	Tine Holder-welded steel, fits left or right sides (Standard Tilling Tines)
2	710-3096	4	/P	Bolt-hex hd., 3/8-16 x 2"
3	712-3000	1	S	Locknut-hex, 3/8"-16
6	GW-1270-1	20	S	Bolo Tine-single, left hand. Tine is stamped either "EL" or AL"
7	GW-1270-2	8	S	Bolo Tine-single, right hand. Tine is stamped either "EL" or AL"
8	710-3005	16	/P	Bolt-hex hd., 3/8-16 x 1"
	GW-10802	1	/P/F	Custom Tilling Tine Kit (Incl. eight each of Part GW-2475-1 and GW-2475-2 tines and sixteen each of Ref. No.'s 8 and 10's
	GW-2475-1	8	S	Bolo Tine, Custom Tilling-single, left hand
	GW-2475-2	8	S	Bolo Tine, Custom Tilling-single, right hand

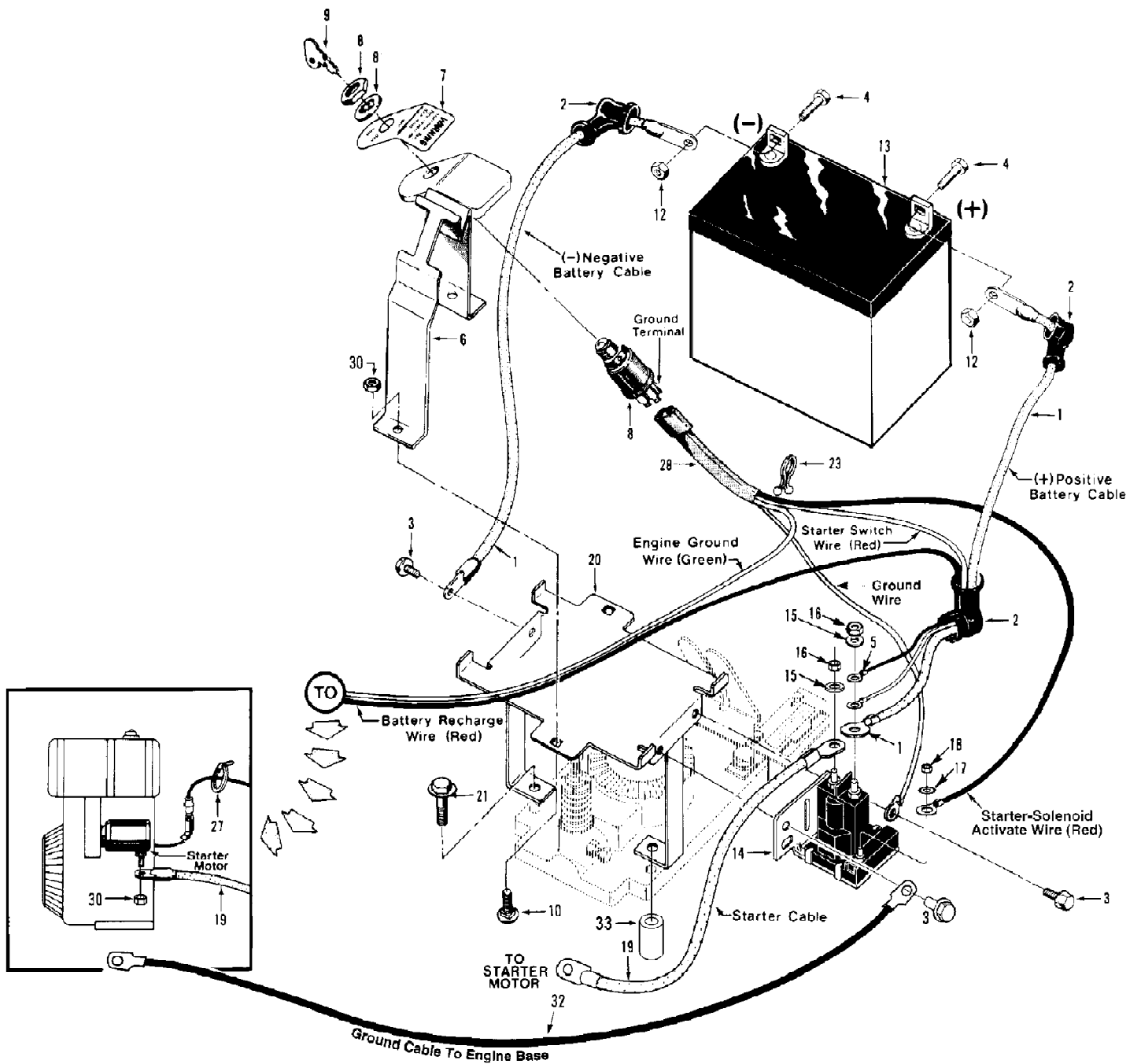
21AE683F766 8HP Elec Roto-Tiller (2006)
Depth Regulator and Tine Hood Assemblies



21AE683F766 8HP Elec Roto-Tiller (2006)
Depth Regulator and Tine Hood Assemblies

Page 4 of 20

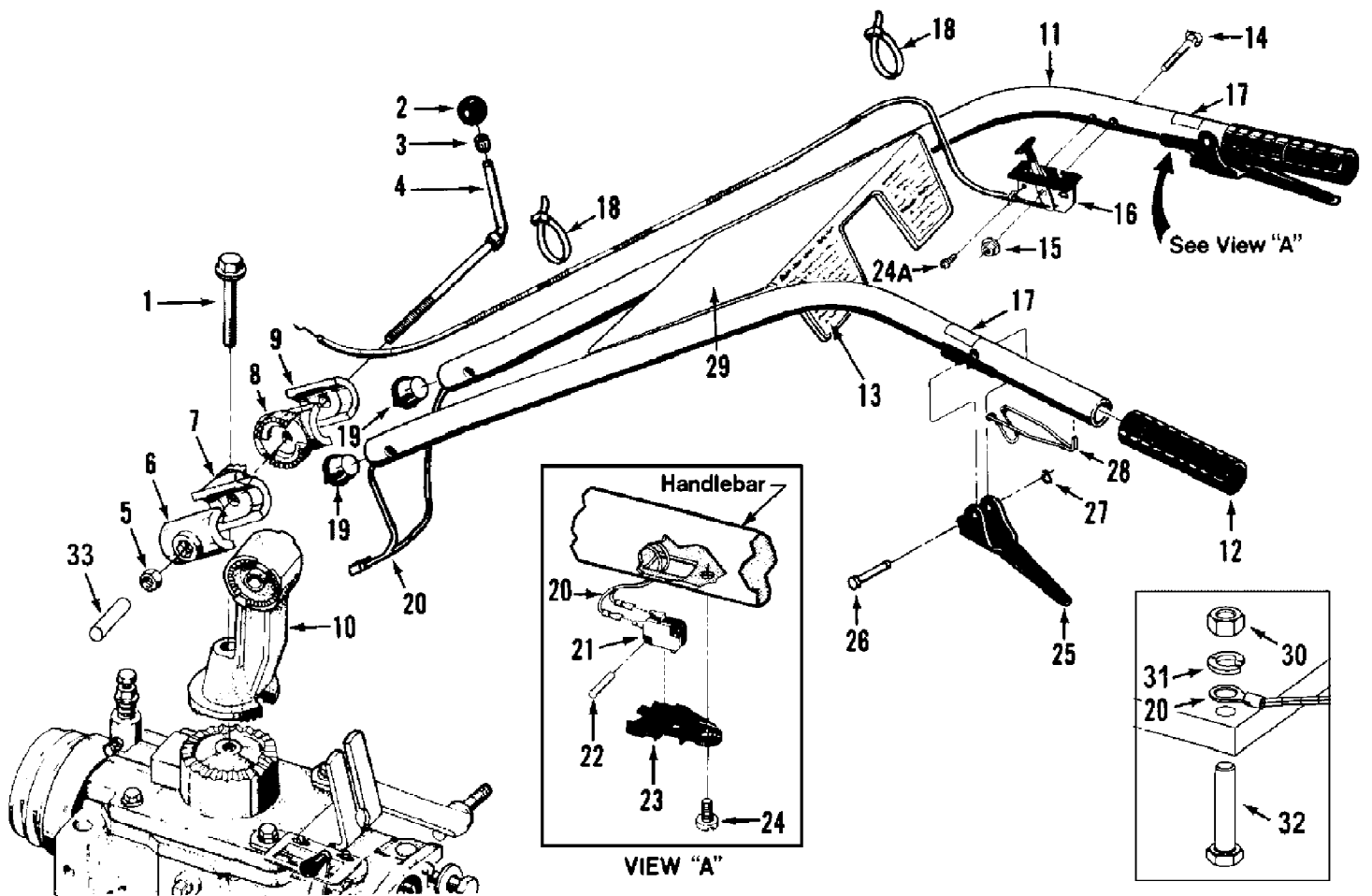
Ref #	Part Number	Qty	S/P/F	Description
1	710-3005	1	/P	Bolt-hex hd., 3/8-16 x 1-1/4"
2	GW-1113-1	1	S	Bushing-19/64" (.300" lg)
3	710-04049	1	/P	Bolt-flanged hex, 5/16-18 x 5/8"
4	712-04065	1	/P	Nut-hex, 3/8"-16
5	1900864	1	/P	Bar-depth regulator
6	GW-9120	1	/P	Ring-retaining
7	GW-9119	1	/P	Knob-depth regulator
8	GW-2121	1	S	Bar-drag, depth
9	710-0599	1	/P	Screw-thread-forming, 1/4-20 x 1/2"
10	710-04043	1	/P	Bolt-flanged hex hd., 5/16-18 x 3/4"
12	GW-9929	1	/P	Washer-flat, 5/16"
13	1904563	1	/P	Hood
14	777I22027	1		Decal-hood, operating instructions (LH)
14	777S32049	1		Decal-hood, operating instructions (RH)
15	GW-2525	1		Bracket
16	715-04034	1	/P	Pin-roll (spirol) 1/4" x 1"
17	750-04556	1		Spacer, Split
18	732-04320	1	/P	Spring
19	710-0597	1	/P	Bolt-hex hd., 1/4- 20 x 1
20	712-04064	1	/P	Locknut-1/4"-20



21AE683F766 8HP Elec Roto-Tiller (2006)
Electric Start System

Page 6 of 20

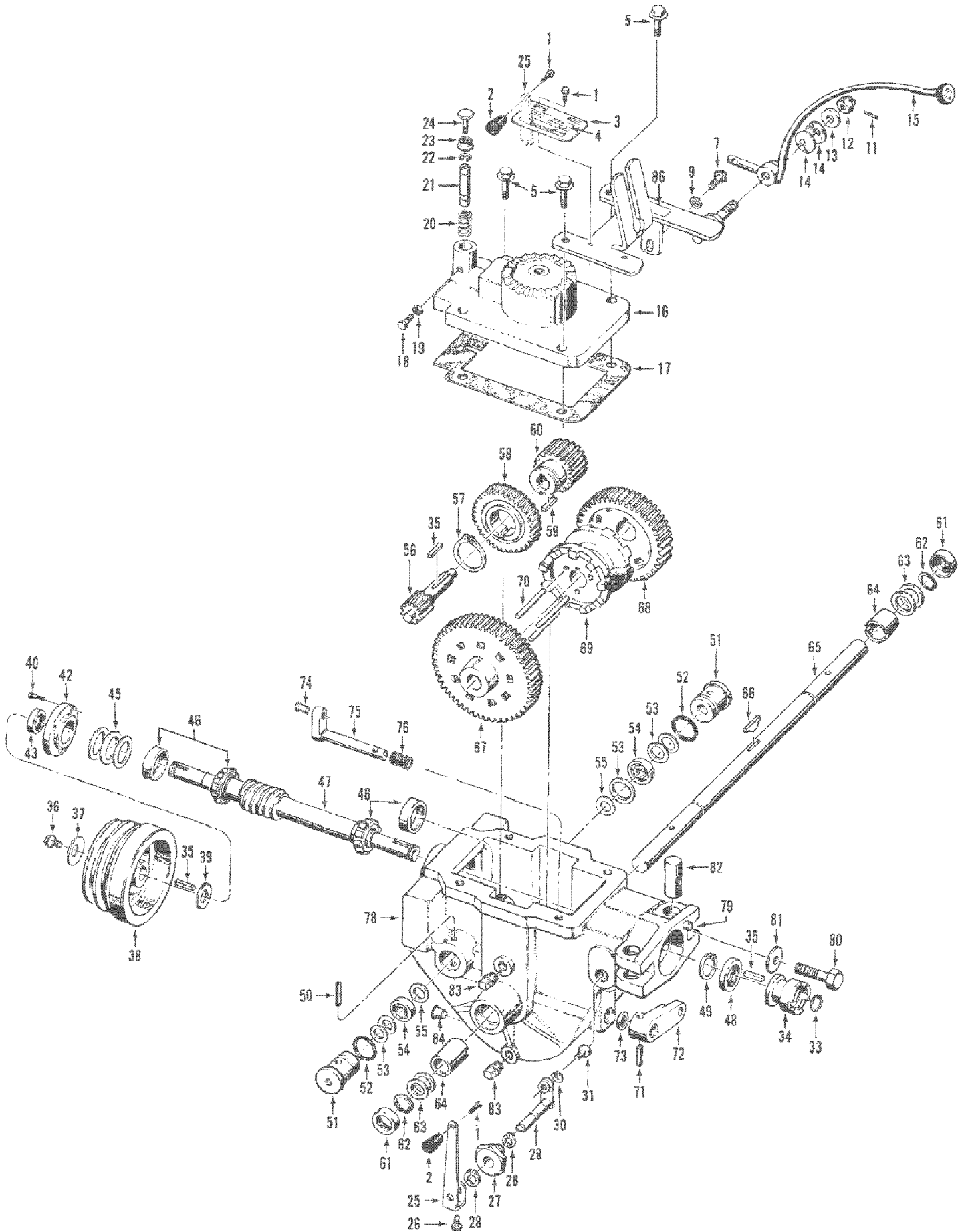
Ref #	Part Number	Qty	S/P/F	Description
1	GW-96515	2	/P	Cable-battery, positive and negative terminals
2	GW-97020	3	/P	Boot-terminal insulating
3	710-0599	3	/P	Screw-TT, 1/4-2 x 2
4	1186309	2	/P	Bolt-hex hd., 1/4-20
5	1901894	1	/P	Wire-recharge (red)
6	GW-2614	1	S	Battery Hold Down Clamp - with attached Key Switch Plate
7	777S30648	1	/P	Decal-ignition switch instructions
8	725-0267B	1	S	Key Switch-includes 2 ignition keys (Ref. No.9) one lockwasher, and one mounting nut (lock-washer and nut not available separately)
9	725-0201	1	S	Key-ignition, one pair
10	1186073	1	/P	Bolt-carriage, 1/4-20 x 1-1/4"
11	936-0329	2	/P	Lockwasher-spring lock, 1/4"
12	712-3006	2	/P	Nut-hex, 1/4"-20
13	725-1706A	1	S	Battery-12 volt,
14	GW-96514	1	S	Solenoid-starter, includes nuts and washers for cables and wires
15	736-0119	3	S	Lockwasher-5/16"
16	1186211	2	/P	Nut-hex, 5/16"-24
17	736-0147	1	S	Lockwasher-external tooth, #10
18	GW-9853	1	/P	Nut-hex, #10-32,
19	GW-96510	1	/P	Cable-solenoid to starter motor
20	GW-2557	1	S	Battery Bracket
21	710-3022	2	/P	HH Cap Screw, 3/8-16 x 2.75"
23	GW-9265	1	/P	Tie-plastic, wire
27	725-0157	2	/P	Tie-plastic
28	725-04346	1		Wire Harness & Connecting Terminal Assembly
30	1186389	3	/P	Locknut-hex, 1/4-20
32	1901202	1	/P	Cable-ground, solenoid to engine block
33	750-0748	2		Spacer



21AE683F766 8HP Elec Roto-Tiller (2006)
Handlebar Assembly

Page 8 of 20

Ref #	Part Number	Qty	S/P/F	Description
1	GW-9548	1	/P	Bolt-Hex hd., flanged self-locking Grade 5, 1/2-13 x 3-1/2"
2	GW-9119	1	/P	Knob-handlebar height adjustment
3	GW-9120	1	/P	Ring-retaining (tolerance right)
4	GW-1881	1	/P	Stud-handlebar height adjustment
5	1186233	1	S	Nut-hex, 1/2"-13
6	GW-1021-1	1	S	Clamp-left, handlebar height adjustment
7	GW-2542-1	1	S	Ratchet-left, handlebar height adjustment
8	GW-2542-2	1	S	Ratchet-right, handlebar height adjustment
9	1900855010	1	/P	Clamp-right, handlebar height adjustment
10	GW-2534A	1	S	Base-handlebar mounting
11	649-04020	1	S	Handlebars
12	720-04083	2	/P	Grip-handlebars
13	777I22026	1		Decal-Control panel
14	1918111	1		Bolt-curved hd, GR5, 1/4-20 x 2"
15	1186389	1	/P	Nut-hex, flanged self-locking, whiz lock, 1/4"-20
16	1909286	1	S	Throttle Control & Cable, 66"
17	777I20946	2		Decal-Forward Interlock Lever
18	725-0157	2	/P	Tie-Plastic
19	GW-9219	2	/P	Plug-wire harness retainer
20	725-04367	1		Handlebar Wire Harness Ass'y.-forward interlock system
21	GW-9250	2	S	Handlebar Switch-forward interlock system
22	GW-9385	2	/P	Lock Pin-handlebar switch
23	GW-2543	2	S	Switch Housing-handlebar switch
23	GW-2563	1	S	Switch Assembly (Incl. Refs. 21-23)
24	710-0779A	2	/P	Screw-pan head, #10-16 x 1/2", thread-forming
24A	GW-9733	1	/P	Screw-philips head, 10-32 x 1/2", thread-forming
25	786-04003	2	S	Lever-Operator Presence Control
26	GW-9199	2	/P	Pivot Pin-forward interlock lever
27	GW-9514	2	/P	Retaining Ring-kilp ring-forward interlock lever
28	GW-9387	2	/P	Return Spring- fwd interlock lever
29	777D7724	1		Label-Troy-Bilt Horse
29	777D06527	1		Label-Troy-Bilt Horse "Big Red"
30	712-3010	1	S	Nut-hex 5/16-18
31	736-0119	1	S	Washer 5/16
32	710-0805	1	/P	HH Cap Screw 5/16-18 x 1.5
33	1901835	1		Plug Cap



21AE683F766 8HP Elec Roto-Tiller (2006)
Power Unit Transmission Assemblies

Page 10 of 20

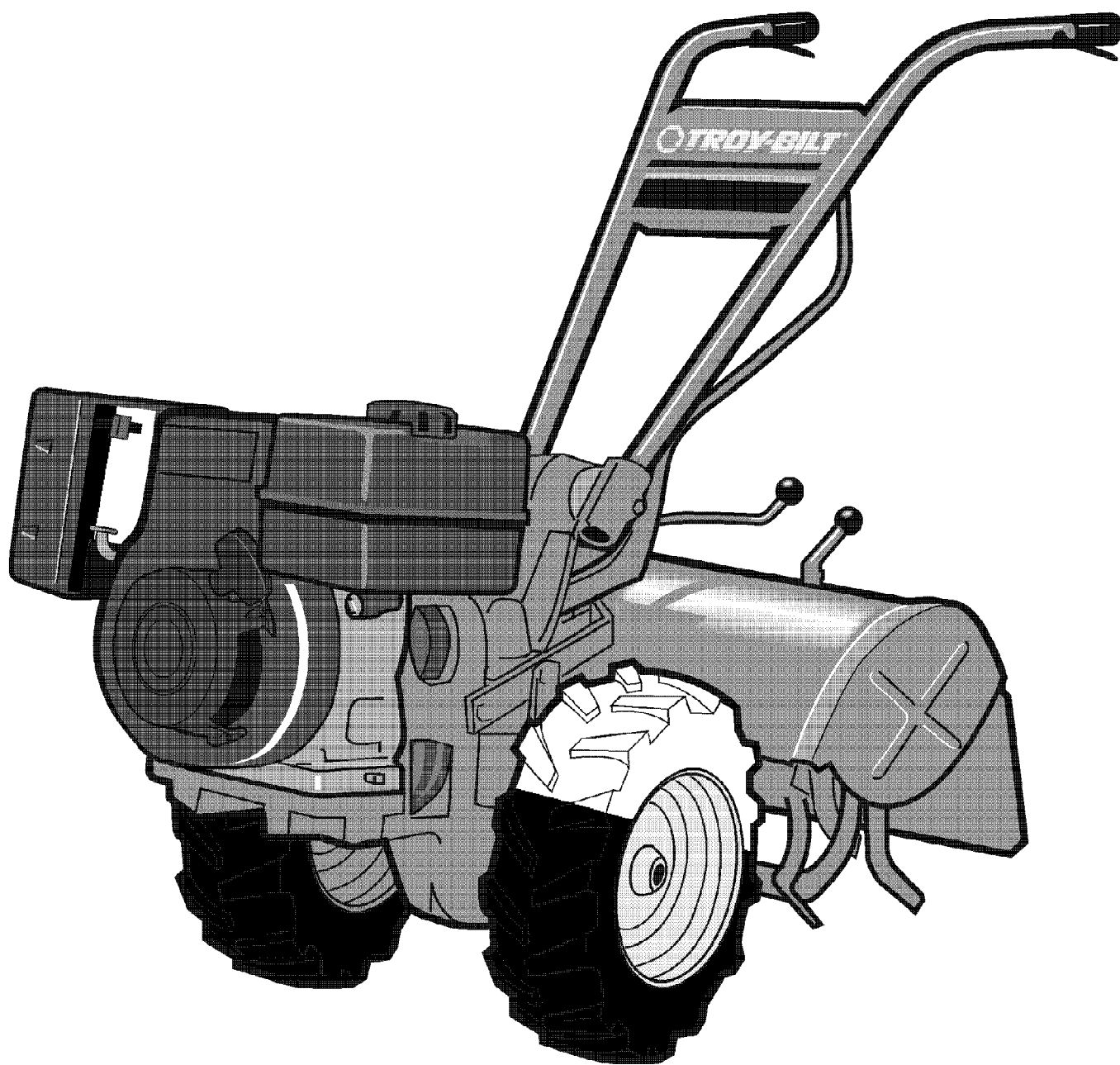
Ref #	Part Number	Qty	S/P/F	Description
1	1186299	3	S	Bolt-hex hd., #10-32 x 3/8", self-locking flange (Transmission cover & Shift lever Bracket Assemblies (item 1-24)
2	GW-9463	1	/P	Knob-tines/PTO clutch lever, tapered, plastic
3	GW-2263	1	/P	Detent Plate-tines/PTO clutch lever
4	777I20945	1	/P	Decal-operating instructions, detent plate
5	1186349	4	/P	Bolt-flanged hex hd., 3/8-16 x 1-1/2"
7	1186329	1	S	Bolt-flanged hex hd., 5/16-18 x 3/4", Grade 5
9	736-0275	1	S	Washer-flat, 5/16", SAE.
11	GW-9362	1	/P	Pin-spring, 1/8"
12	GW-9838	1		Nut-castle (Slotted) 1/2"-20 Call Tech Service for tightening instructions
13	GW-9934	1	/P	Washer-shoulder, 1/2"
14	GW-9932	2	/P	Washer-disc spring
15	GW-2178	1	S	Lever-wheel speed shift
16	GW-2523	1	S	Cover-power unit transmission
17	GW-1123	1	/P	Gasket-transmission cover
18	710-0376	1	/P	Bolt-hex hd., 5/16-18 x 1", Grade 5 (remove with care)
19	712-3010	1	S	Nut-hex, 5/16"-18
20	1901439	1	/P	Spring-neutral plunger (remove with care)
21	GW-1035	1	/P	Plunger-neutral (remove with care)
22	1901440	1	/P	Clip Ring-retains neutral plunger
23	1186393	1	/P	Nut-hex, flange locknut, 3/8"-16
24	1902004	1	/P	Bolt-hex hd., 3/8-16x1-1/2", threaded full length
25	786-04002	1	/P	Lever-eccentric, tines/PTO clutch (Tines/PTO Clutch Lever Assembly 25-31)
26	710-3013	1	/P	Bolt-hex hd., 1/4-20 x 1/2"
27	741-04008	1	/P	Bushing-tines/PTO clutch lever eccentric shaft
28	GW-9516	2	/P	Retaining Ring-(snap ring) external
29	GW-2461	1	/P	Eccentric-shaft, tines/PTO clutch lever
30	GW-9911	1	/P	Lockwasher-hi-collar, 1/4"
31	GW-9672	1	S	Screw-socket hd., 1/4-20 x 3/8"
33	716-0101	1	S	Retaining Ring-external (Drive Shaft Assembly 33-49)
34	1909139	1	S	Dog Clutch-power unit
35	GW-9301	3	S	Key-3/16 sq x 1"
36	910-0157	1	S	Bolt-hex hd., 5/16-24 x 3/4", self-locking flange, Grade 5
37	GW-9944	1	S	Washer-disc spring (concave)
38	GW-2107	1	/P	Pulley-transmission drive, cast iron
39	GW-50027	1	/P	Washer-flat, hardened shoulder 1-1/4
40	1186310	1	/P	Bolt-hex hd., 1/4-20 x 3/4 front bearing cap
42	718-04007	1	/P	Cap-front bearing
43	721-04044	1	S	Seal-oil, front bearing cap
45	GW-1224-1	A/R	S	Shim-front bearing cap, 010" thick
45	GW-1224-2	A/R	S	Shim-as above, 030"

Ref #	Part Number	Qty	S/P/F	Description
45	GW-1224-3	A/R	S	Shim-as above, .005"
45	GW-1224-4	A/R	S	Shim-as above, .062"
46	GW-1714	2	S	Bearing & Race (incl. one bearing GW-9400 and one cup (race) GW-9401
47	GW-2655	1		Shaft-main drive, power unit
48	721-04030	1	S	Seal-oil, drive shaft, rear
49	GW-9517	1	S	Retaining Ring-(snap ring), internal
50	715-0121	2	/P	Pin-roll (spirol), 1/4 x 2" (Pinion Shaft Assembly 50-60)
51	718-04006	2		Plug-retaining, pinion bearing
52	GW-9604	2	/P	O-Ring-retaining plug
53	GW-1132-1	A/R	/P	Shim-retaining plug, 1-1/64" inner diamter, .033" thick (on right side only one GW-1132-1 shim is also used between bearing and washer, Reference #'54 & 55
53	GW-1132-2	A/R	/P	Shim-same as GW-1132-1, .062"
53	GW-1132-3	A/R	/P	Shim-same as GW-1132-1, .010"
54	GW-9404	2	/P	Bearing-ball, pinion shaft
55	GW-1126	2	/P	Washer-pinion shaft
56	GW-1222	1	/P	Stem Pinion-slow speed gear & shaft
57	GW-9502	1	/P	Ring-retaining, external
58	GW-2656	1	/P	Worm Gear-bronze, wheel drive
59	GW-9300	1	/P	Key-3/16" x 5/8"
60	GW-1233	1	/P	Gear-fast speed pinion
61	721-04031	2	S	Seal-oil, wheel shaft (Wheel Shaft Assembly (61-70)
62	1909950	2	S	Retaining ring-external
63	GW-1166-1	A/R	S	Shim-wheel shaft, 1-1/64" inner dia., .062" thick
63	GW-1166-2	A/R	/P	Shim-as above, .030"
63	GW-1166-3	A/R	/P	Shim-as above, .015"
63	GW-1166-4	A/R	S	Shim-as above, .010"
63	GW-1166-5	A/R	S	Shim-same as above, .005" thick
64	GW-1086	2	S	Bushing-bronze, wheel shaft bearing
65	911-04025	1	S	Shaft-wheel, 15-5/8" w/key
66	714-04014	1	/P	Key-Hi Pro, 1/4" x 1-3/4"
67	GW-1223	1	/P	Gear-slow speed, wheel drive
68	GW-1232	1	/P	Gear-fast speed, wheel drive
69	GW-1237	1	/P	Dog Clutch-wheel drive
70	GW-1112	3	/P	Pin-clutch guide, 1/4" diameter
71	1911372	1	/P	Pin-roll, 3/16" x 1-1/4" (spirol) (Eccentric Shaft Assembly 71-76)
72	619-04000	1	S	Lever-eccentric, wheel speed shifting
73	721-04034	1	S	Seal-oil, eccentric shaft
74	GW-1442	1	S	Pin-eccentric shaft, shifting
75	611-04003	1	/P	Eccentric Shaft-wheel speed shifting
76	GW-1441	1	/P	Spring-eccentric shaft
78	GW-2109	1	S	Housing-power unit transmission (Empty housing without covers, shafts, gears, seals, etc.) (Transmission Housing 78-79)

21AE683F766 8HP Elec Roto-Tiller (2006)
Power Unit Transmission Assemblies

Page 12 of 20

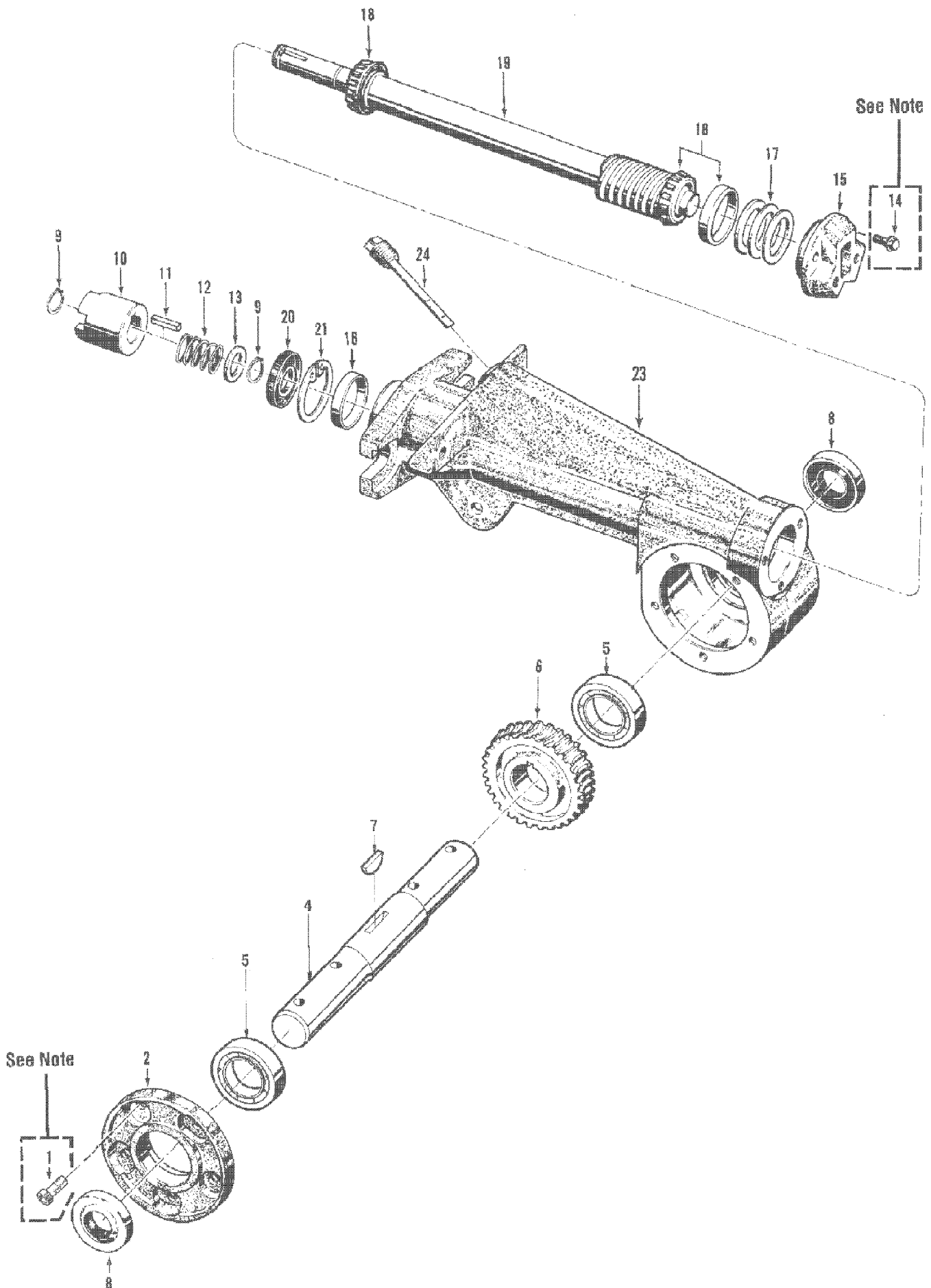
Ref #	Part Number	Qty	S/P/F	Description
79	GW-9359	1	/P	Pin-alignment
80	1100067	2	/P	Bolt-hex hd., 1/2-13 x .2"2 Grade 5 (Miscellaneous Parts)
81	GW-9928	2	/P	Washer-disc spring (concave), domed side faces bolt head
82	GW-2126	2		Post-with threaded hole for Ref. No. 80
83	1105620	2	/P	Plug-pipe, 1/4"
84	GW-9122	1	/P	Plug-red plastic, thread protector
86	777I20944	1	/P	Decal-forward interlock wire harness
	618-04372	1	S	Transmission-power unit (Does NOT include Ref. 35-39. Does NOT include Shift Lever and Braket Assemblies, Ref. 3, 4, 10, 15, 85, 96 etc.)
		1		WHEEL-4.80/4.00



21AE683F766 8HP Elec Roto-Tiller (2006)
Quick Reference

Page 14 of 20

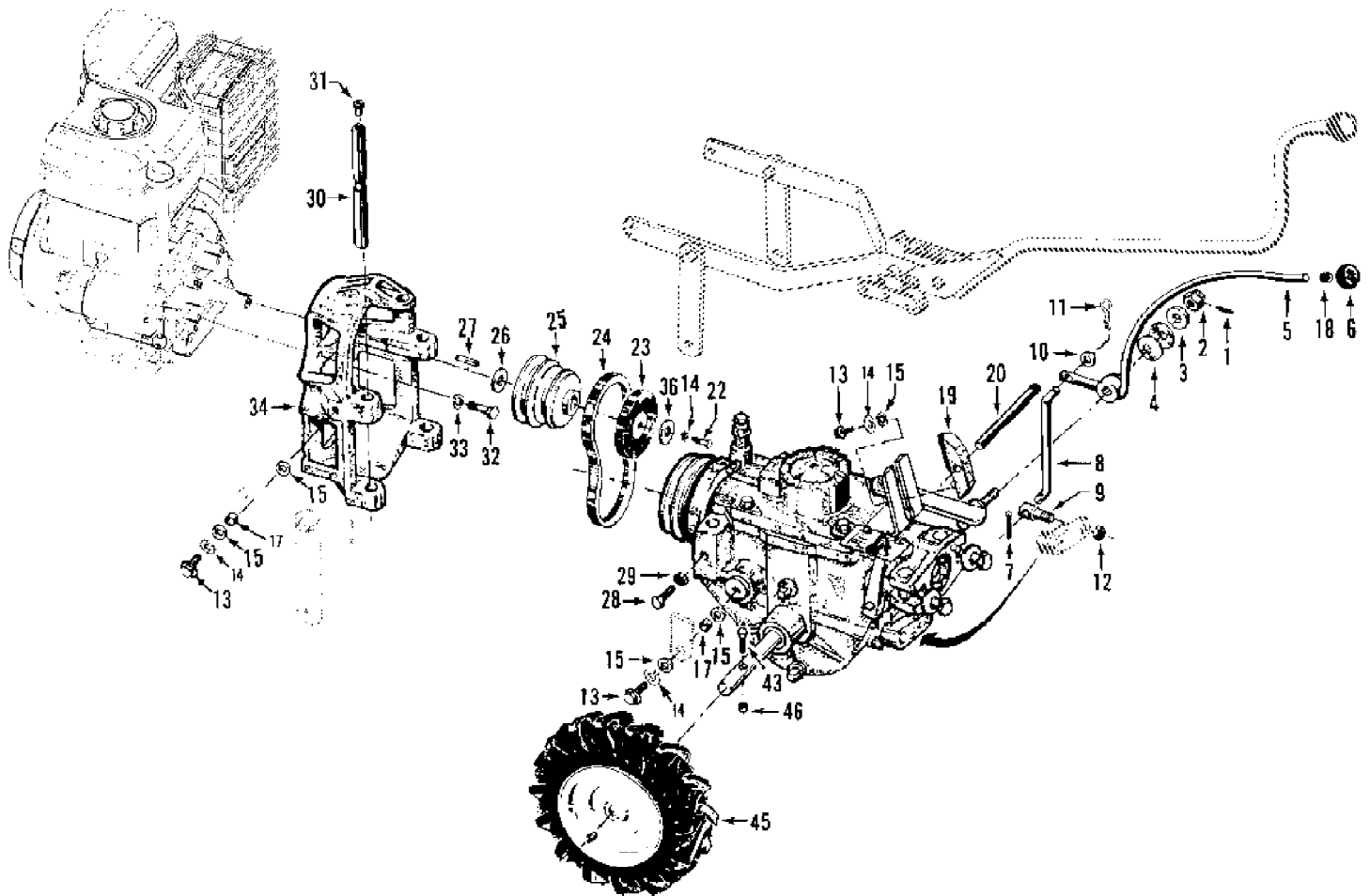
Ref #	Part Number	Qty	S/P/F	Description
	TC-34645	1	/P	Spark Plug
	N/A	1		Pre Filter 36727 - Purchase locally
	N/A	1		Air Filter 37452 - Purchase locally
	N/A	1		Fuel Filter
	GW-9245	1	/P	Drive Belt - FWD
	N/A	1		Drive Belt - REV
	GW-2107	1	/P	Idler Pulley
	1909286	1	S	Clutch Cable - FWD
	N/A	1		Clutch Cable - REV
	GW-1270-1	1	S	Tines - LH
	GW-1270-2	1	S	Tines - RH
	1901975	1	S	Tine Holder
	N/A	1		Rim
	N/A	1		Tire
	634-04231	1	S	Wheel Assembly
	720-04083	1	/P	Foam Grip
	1902240	1	/P	Shift Control Knob
	GW-2595	1	S	Handle Knob
	1901118	1	S	Complete Bolo Tine Kit Incl. All Hardware
	GW-10802	1	/P	Complete Custom Tine Kit Incl. All Hardware



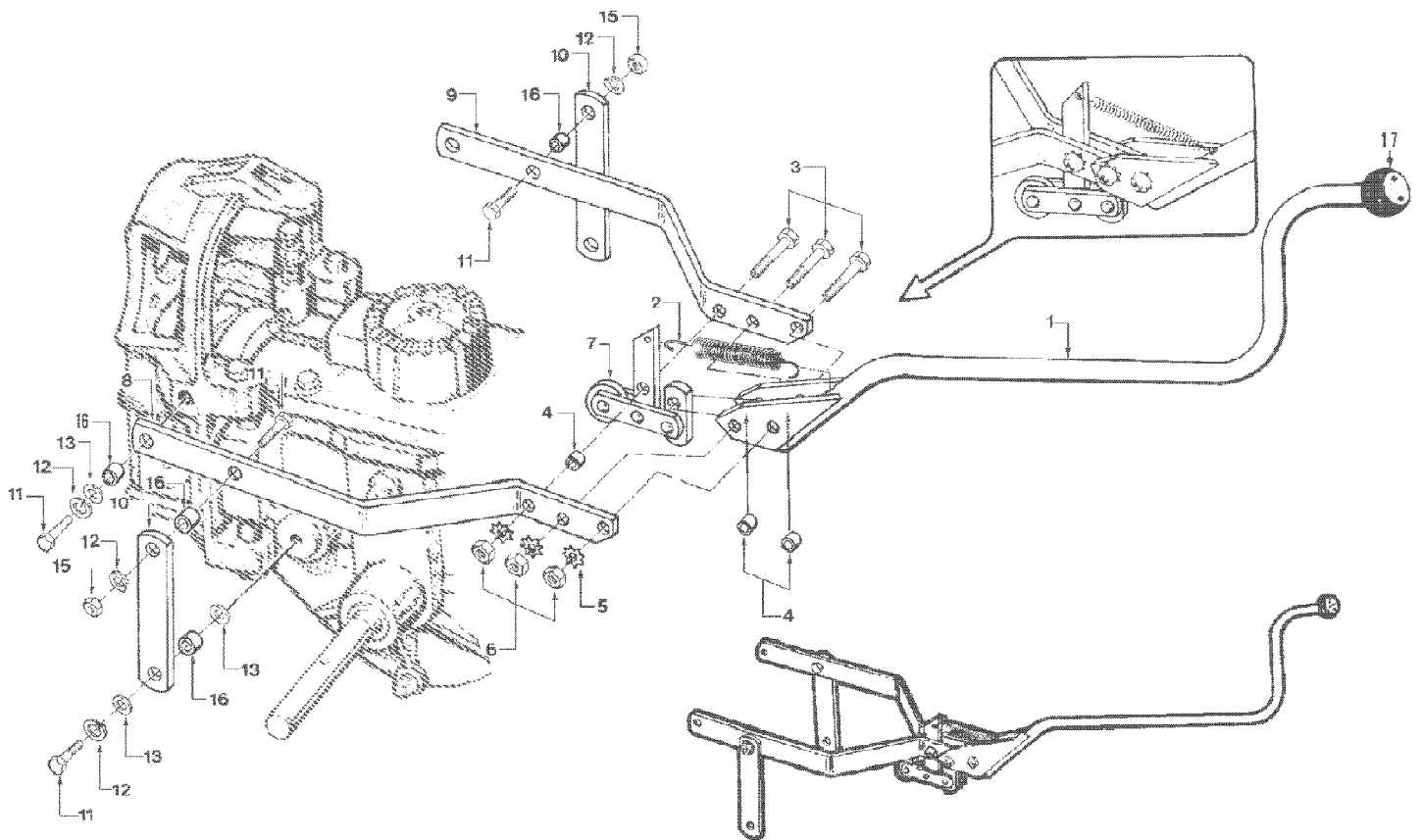
21AE683F766 8HP Elec Roto-Tiller (2006)
Tiller Attachment Transmission Assemblies

Page 16 of 20

Ref #	Part Number	Qty	S/P/F	Description
1	1915068	5	/P	Screw-self-sealing, 1/4"-20
2	GW-20873	1	/P	Cover-tiller housing
4	711-04082	1	S	Shaft-tiller tine
5	741-3037	2	S	Ball Bearing
6	1901976	1	/P	Worm Gear-bronze, tiller tine shaft
7	GW-1104	1	/P	Key-tiller tine shaft, woodruff key
8	721-04035	2	S	Seal-oil, tiller tine shaft
9	716-0101	2	S	Retaining Ring-external (Tiller Drive Shaft Assembly 9-21)
10	1909138	1	S	Dog Clutch-tiller drive shaft
11	GW-9301	1	S	Key-3/16" x 1"
12	GW-2127	1	/P	Spring-dog clutch]
13	GW-1138-1	1	S	Shim-dog clutch, 1/16"(.62")
14	1915069	3	/P	Screw-self-sealing, 1/4"-20 x 7/8
15	GW-1115	1	S	Cap-rear bearing
17	GW-1224-1	1	S	Shim-front bearing cap, .010" thick A/R
17	GW-1224-2	1	S	Shim-same as above, .030" thick A/R
17	GW-1224-3	1	S	Shim-same as above, .005" thick A/R
17	GW-1224-4	1	S	Shim-same as above, .062 thick A/R
18	GW-1714	2	S	Bearing & Race incl one bearing GW-9400 & onecup (race) GW-9401
19	GW-2653	1	S	Shaft-main tiller drive
20	721-04030	1	S	Seal-oil, drive shaft,
21	GW-9517	1	S	Retaining Ring-internal
23	1901971	1	S	Housing-tiller attachment (Empty housing without shafts, gears, seals, dipsticks, etc.) (Transmission Housing and Dipstick 23-24)
24	1909157	1		Dipstick-oil, tiller attachment
	618-04003	1	S	Transmission Assembly (Transmission Housing and Dipstick 23-24)



Ref #	Part Number	Qty	S/P/F	Description
1	GW-9362	1	/P	Pin-spring, 1/8" (Wheel Speed Lever 1-18)
2	GW-9838	1		Nut-castle (slotted), 1/2" - 20
3	GW-9934	1	/P	Washer-shoulder, 1/2"
4	GW-9932	2	/P	Washer-disc spring
5	GW-2628	1	/P	Lever-wheel speed shift
6	1902240	1	/P	Knob-wheel speed shift lever
7	GW-9317	1	/P	Pin-cotter, 3/32" x 1"
8	GW-1515	1		Connecting rod, wheel speed shift lever (Incl Ref.7 & Ref. 9)
9	GW-1033	1	/P	Swivel-connecting rod
10	736-0275	1	S	Washer-flat, 5/16", SAE
11	714-04048	1	/P	Pin-hair cotter
12	712-0158	1	S	Locknut-hex hd., 5/16"-18
13	710-0514	5	/P	Bolt-flanged hex hd, 3/8-16, x 1"
14	736-0169	5	S	Lockwasher-spring lock, 3/8"
15	736-3050	8	/P	Washer-flat, 3/8", SAE
17	GW-1113-1	4	S	Bushing-spacer, 19/64" (300"lg)
18	GW-9120	1	/P	Ring-retaining (tolerance ring)
19	GW-2102	1		Block- belt adjustment, 3-7/8" (Belt Drive System 19-27)
20	GW-2100	1	/P	Rod- belt adjust., 7" with measuring gauge
21	777I20942	1		Decal- engine stabilization
22	710-0459A	1	/P	Bolt-hex hd., 3/8-24 x 1-1/2"
23	756-04171	1	/P	Disc-reverse
24	GW-9245	1	/P	Belt-forward drive (no substitute due to extra strength required)
25	619-04124	1	/P	Pulley-engine power take off
26	736-04192	1	/P	Shim-engine pulley, 1/16" As Req'd
26	736-04187	1	/P	Shim-as above, 1/32" As Req'd
27	GW-9303	1	/P	Key-engine pulley, 3 /16" sq. x 2-1/2"
28	710-0376	2	/P	Bolt-hexhd., 5/16-18 x 1", Grade 5 (Engines and Engine Mount 27-36)
29	712-3010	1	S	Nut, 5/16-18 hex,
30	GW-1034	2	S	Bar-engine mounting
31	GW-9147	2	/P	Plug-thread protector, red plastic
32	710-04458	4	S	Bolt-hex hd., 5/16-24 x 1-1/8"
33	736-0119	4	S	Lockwasher-spring lock, 5/16"
34	1916274001	1	S	Mount- engine to tiller
36	736-3052	1	/P	Washer, flat, .406 x 1.0 x .105
36	777S30647	1		Decal-hot surface warning
43	710-0606	2	/P	Screw, Hex, 1/4-20 x 1-1/2" J (Wheel Assemblies 43-46)
45	634-04231	2	S	Wheel & Tire Assy - 16 x 4:6 x 8" tubeless tire w\valve stem, on one-piece steel rim. (For correct traction and directional control, Bar Tread Tires should be mounted on the closed end of the "V" in the tire tread on top of the tire faces forward)
46	712-04064	2	/P	Nut, Hex Flange, 1/4-20



21AE683F766 8HP Elec Roto-Tiller (2006)
Wheels, Tines, Drive Lever & Yoke Assembly

Page 20 of 20

Ref #	Part Number	Qty	S/P/F	Description
1	647-04006	1	/P	Lever Assembly-Wheels/Tines/PTO Drive (Includes Ref 17)
2	1908156	1	/P	Spring-clutch pawl
3	710-0805	3	/P	Bolt-hex hd., 5/16-18 x 1- 1/2"
4	GW-2447	3	/P	Bushing-3/8"
5	1177548	3	S	Lockwasher-external tooth, 5/16"
6	712-3010	3	S	Nut-hex, 5/16"-18
7	686-04006	1	S	Roller Assembly
8	GW-2165-1	1	S	Yoke-left side
9	GW-2165-2	1	S	Yoke-right side
10	GW-2164	2	S	Link-yoke pivot, left & right, 6-7/8" long
11	710-0514	6	/P	Bolt-hex hd., 3/8-16
12	736-0169	6	S	Lockwasher-spring lock 3/8"
13	736-3050	6	/P	Washer-flat, 3/8", S.A.E.
15	712-3017	2	S	Nut-hex, 3/8"-16
16	GW-1113-1	6	S	Bushing-spacer, 19/64" (.300")
17	GW-2595	1	S	Knob