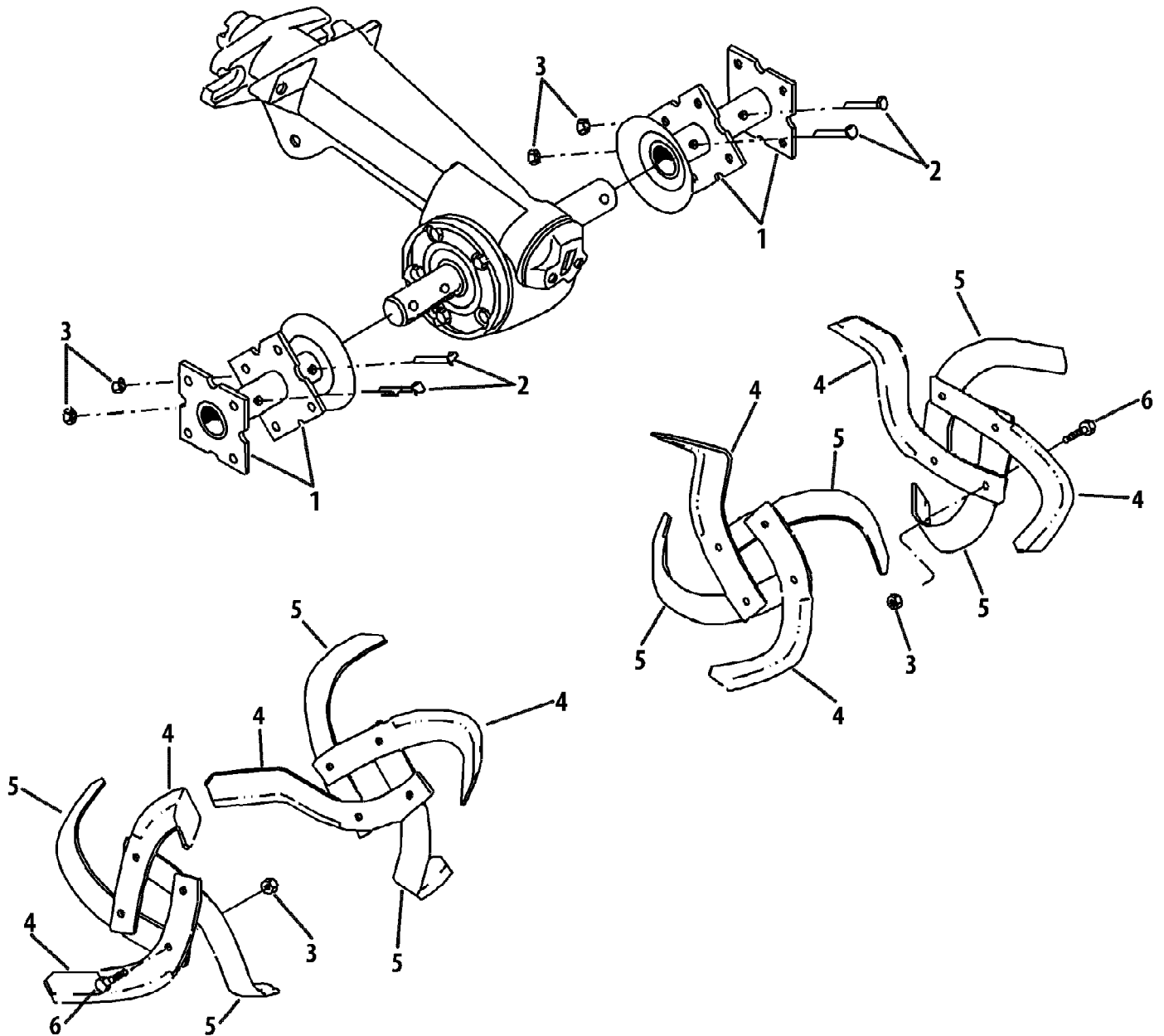


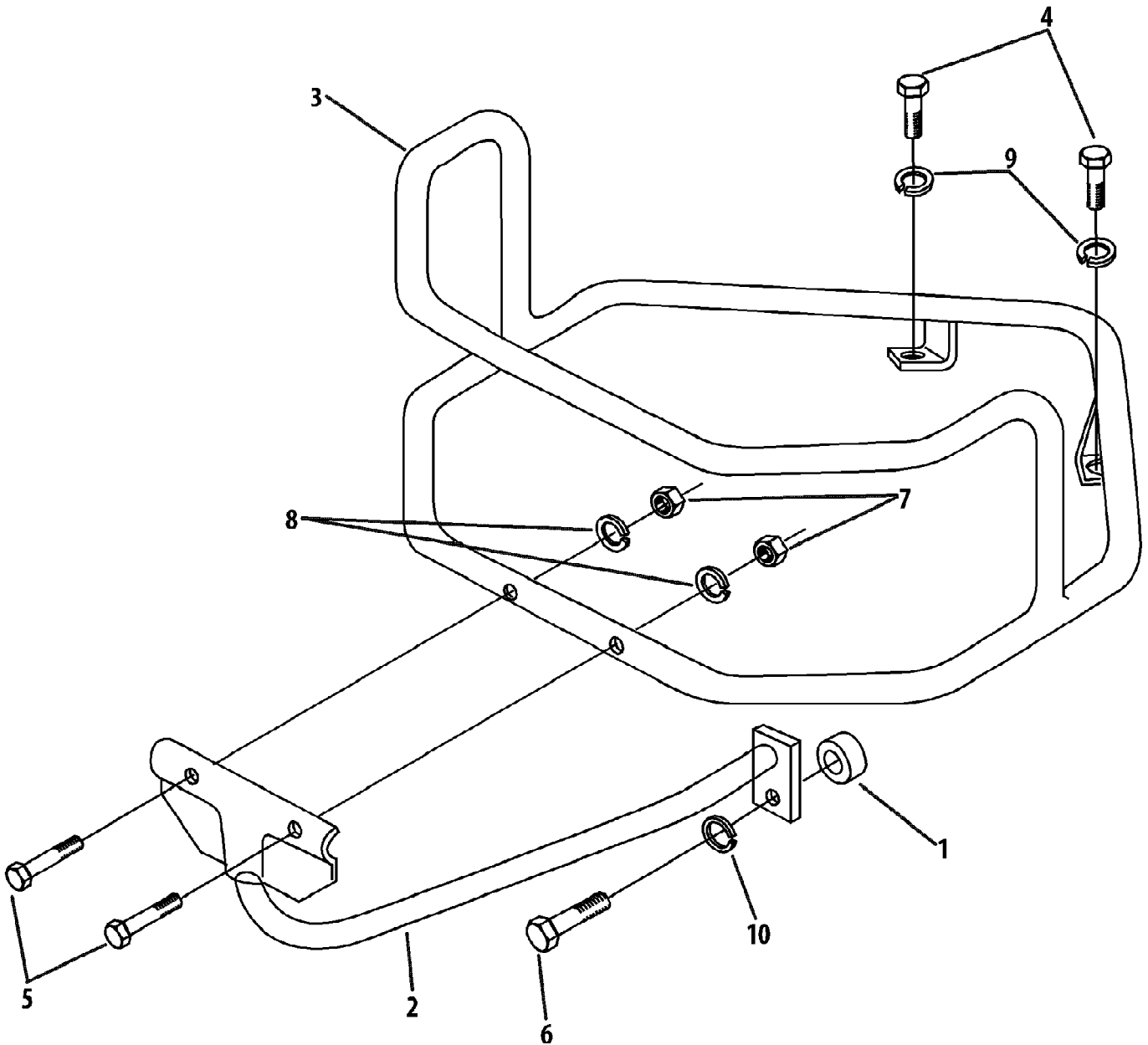
21A-682J066 305cc Roto-Tiller (2008)
Bolo Tine Assembly



21A-682J066 305cc Roto-Tiller (2008)
Bolo Tine Assembly

Page 2 of 23

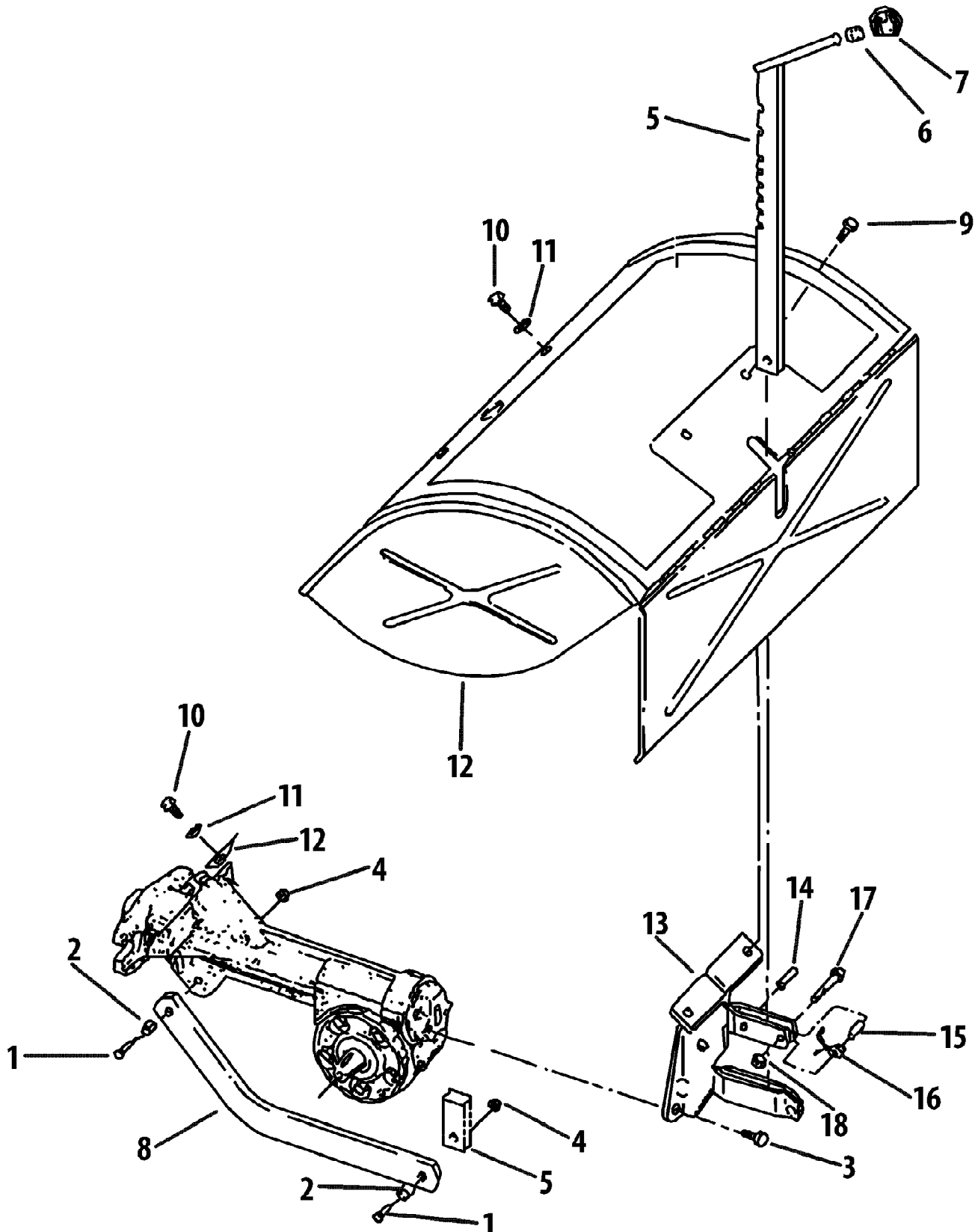
Ref #	Part Number	Qty	S/P/F	Description
1	686-04068	1	S	Tine Holder
2	710-3096	1	/P	Hex Bolt, 3/8-16 x 2"
3	712-3000	1	S	Hex Locknut, 3/8 "-16
4	742-04118	1	S	Bolo Tine Left
5	742-04119	1	S	Bolo Tine Right
6	710-3005	1	/P	Hex Bolt, 3/8 -16 x 1"



21A-682J066 305cc Roto-Tiller (2008)
Bumper Attachment Assembly

Page 4 of 23

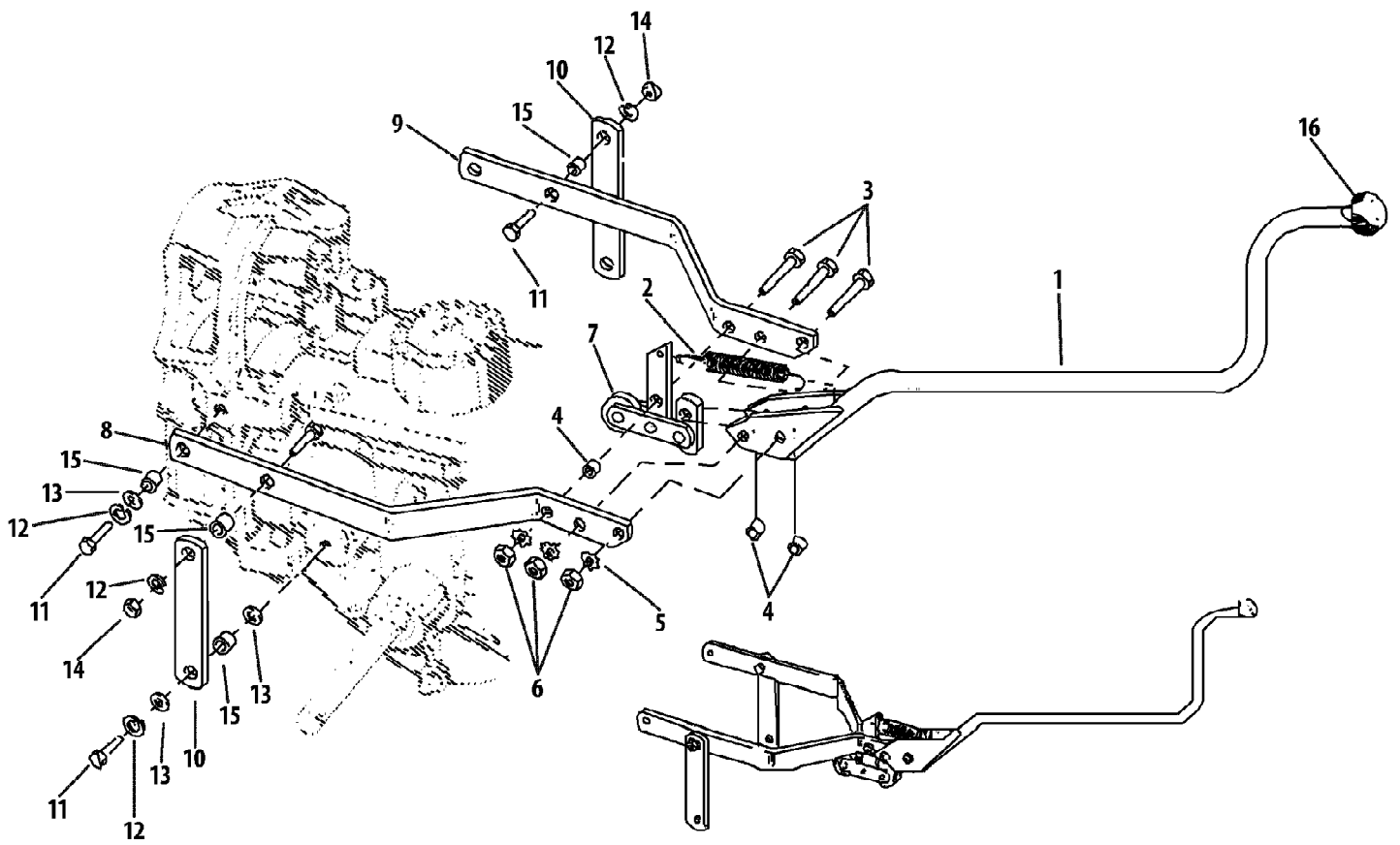
Ref #	Part Number	Qty	S/P/F	Description
1	1909748	1	/P	Spacer, 1.0 x .546 x .5
2	1910730	1	S	Bottom Bumper Brace
3	1910731	1	S	Bumper Guard
4	710-0514	1	/P	Hex Screw, 3/8 -16 x 1.00
5	710-0805	1	/P	Hex Screw, 5/16-18 x 1.50
6	710-3181	1	/P	Hex Screw, 1/2-13 x 1.50
7	712-3010	1	S	Hex Nut, 5/16-18
8	736-0119	1	S	Lock Washer, 5/16
9	736-0169	1	S	Lock Washer, 3/8
10	736-0921	1	S	Lock Washer, 1/2



21A-682J066 305cc Roto-Tiller (2008)
Depth Regulator & Tine Shield Assembly

Page 6 of 23

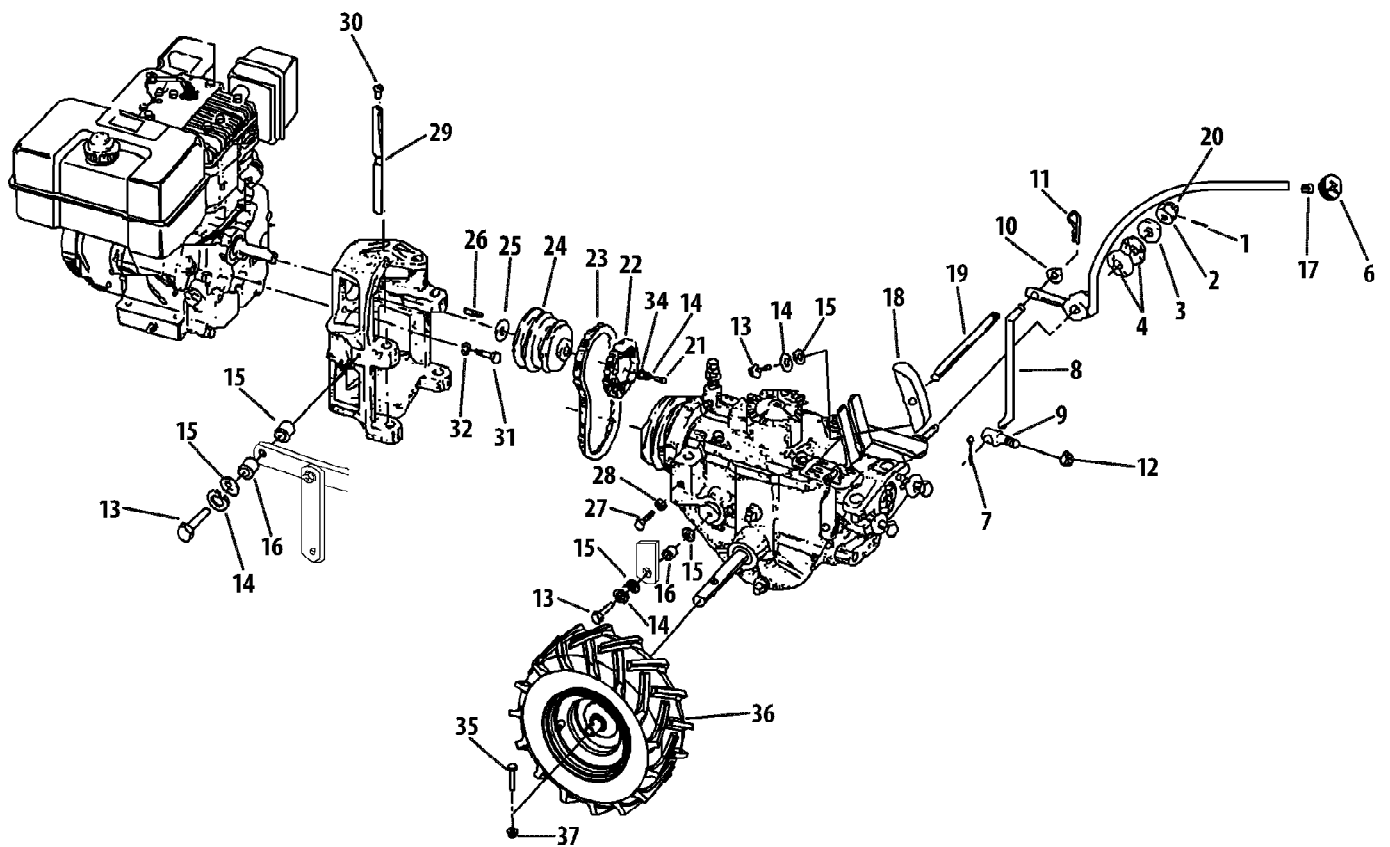
Ref #	Part Number	Qty	S/P/F	Description
1	710-3005	1	/P	Hex Bolt, 3/8 -16 x 1-1/4"
2	GW-1113-1	1	S	Bushing, 19/64"
3	710-04049	1	/P	Hex Flange Bolt, 5/16-18 x 5/8 "
4	712-04065	1	/P	Hex Nut, 3/8 "-16
5	GW-20795	1	S	Depth Regulator
6	GW-9120	1	/P	Retaining Ring
7	GW-9119	1	/P	Depth Regulator Knob
8	GW-2121	1	S	Depth Regulator Bar Drag
9	710-0599	1	/P	Thread-forming Screw,1/4-20 x 1/2"
10	710-04043	1	/P	Hex Flange Bolt, 5/16-18 x 3/4"
11	GW-9929	1	/P	Flat Washer, 5/16"
12	1904563	1	/P	Hood
13	GW-2525	1		Bracket
14	715-04034	1	/P	Roll Pin (Spirol), 1/4" x 1"
15	750-04556	1		Split Spacer
16	732-04320	1	/P	Spring
17	710-0597	1	/P	Hex Bolt, 1/4-20 x 1"
18	712-04064	1	/P	Locknut, 1/4"-20



21A-682J066 305cc Roto-Tiller (2008)
Drive Lever & Yoke Assembly

Page 8 of 23

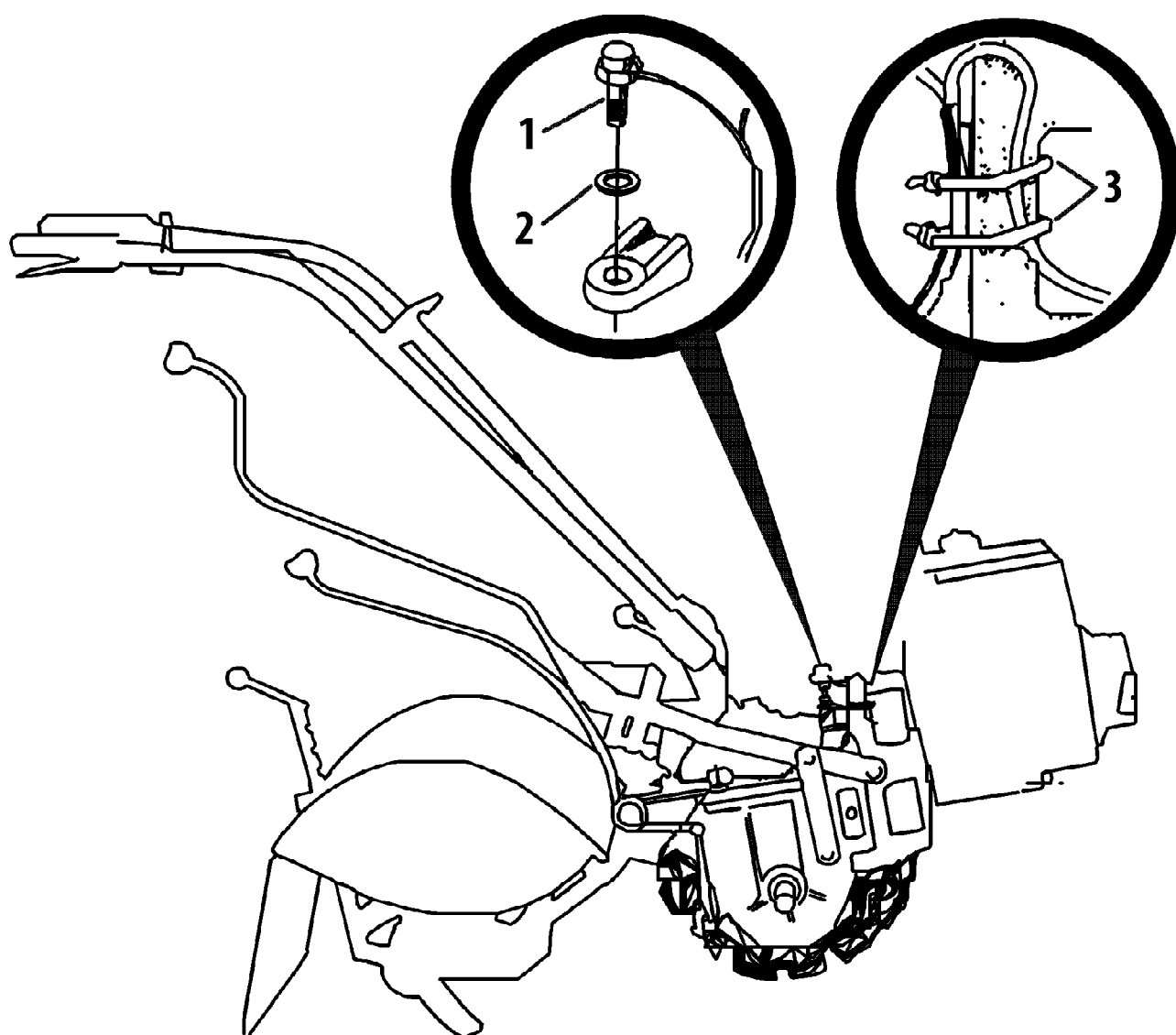
Ref #	Part Number	Qty	S/P/F	Description
1	GW-2595	1	S	Forward/Reverse Lever
2	1908156	1	/P	Clutch Pawl Spring
3	710-0805	1	/P	Hex Bolt, 5/16-18 x 1-1/2"
4	GW-2447	1	/P	Bushing, 3/8 "
5	1177548	1	S	External Tooth Lockwasher, 5/16"
6	712-3010	1	S	Hex Nut, 5/16"-18
7	686-04006	1	S	Roller Assembly
8	GW-2165-1	1	S	Yoke (Left)
9	GW-2165-2	1	S	Yoke (Right)
10	GW-2164	1	S	Yoke Pivot Link, 6- / "
11	710-0514	1	/P	Hex Bolt, 3/8 -16 x 1"
12	736-0169	1	S	Spring Lockwasher, 3/8 "
13	736-3050	1	/P	Flat Washer, 3/8 "
14	712-3017	1	S	Hex Nut, 3/8"-16
15	GW-1113-1	1	S	Bushing Spacer, 19/64"
16	GW-2595	1	S	Knob



21A-682J066 305cc Roto-Tiller (2008)
Drive System

Page 10 of 23

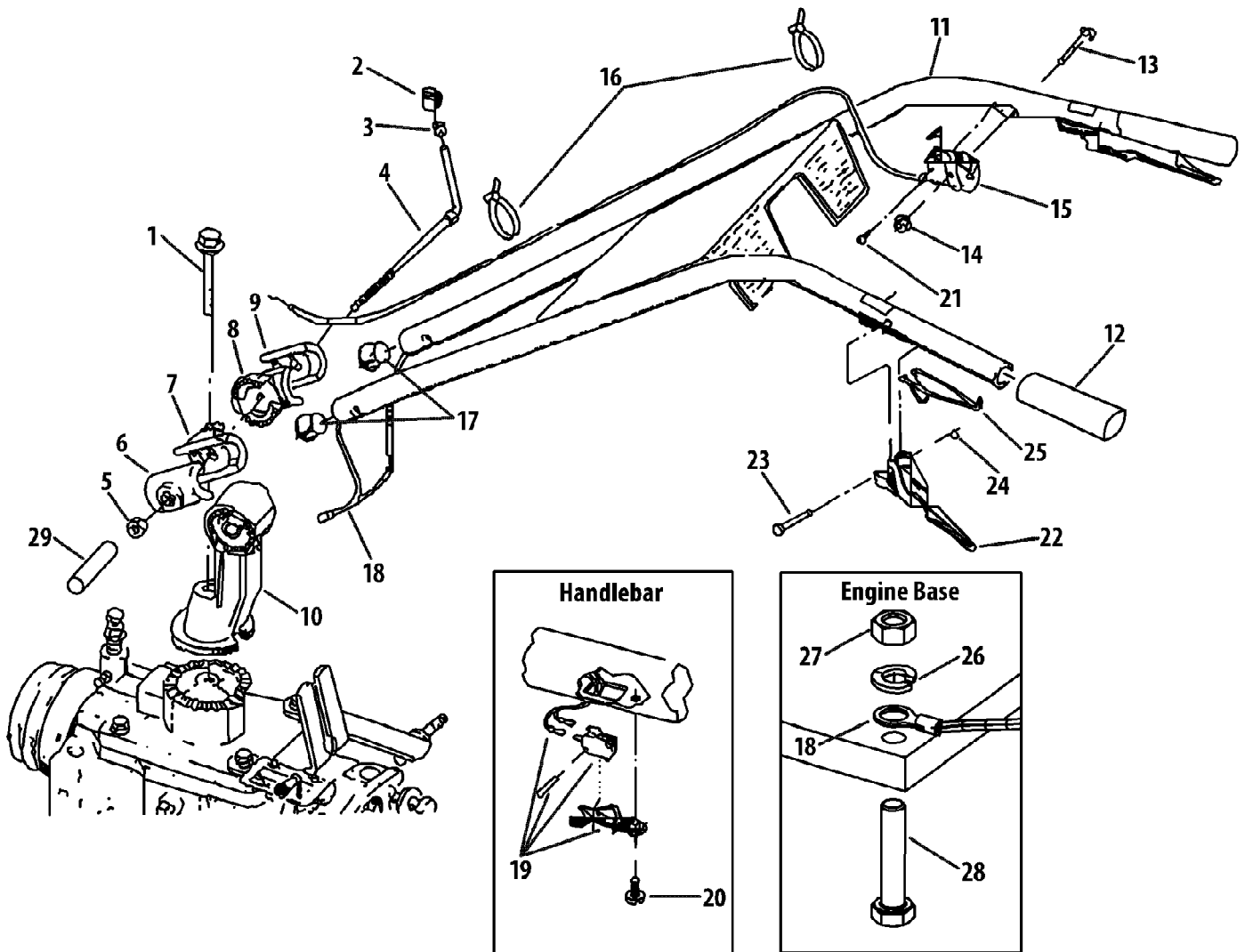
Ref #	Part Number	Qty	S/P/F	Description
1	GW-9362	1	/P	Spring Pin, 1/8"
2	736-0326	1	S	Flat Washer, .510 x 1.0 x .125
3	GW-9934	1	/P	Shoulder Washer, 1/2"
4	GW-9932	1	/P	Disc Spring Washer
5	GW-2178	1	S	Wheel Speed Shift Lever
6	1902240	1	/P	Knob
7	GW-9317	1	/P	Cotter Pin, 3/32" x 1"
8	N/A	1		Connecting rod
9	GW-1033	1	/P	Swivel
10	736-0275	1	S	Flat Washer, 5/16"
11	714-04048	1	/P	Hair Pin Cotter
12	712-0158	1	S	Hex Locknut, 5/16"-18
13	710-0514	1	/P	Hex Bolt, 3/8 -16 x 1"
14	736-0169	1	S	Spring Lockwasher, 3/8 "
15	736-3050	1	/P	Flat Washer, 3/8 "
16	GW-1113-1	1	S	Spacer Bushing, 19/64"
17	GW-9120	1	/P	Retaining Ring
18	GW-2102	1		Belt Adjustment, 3- 7/8"
19	GW-2100	1	/P	Belt Adjustment Rod
20	712-3012	1	S	Hex Nut, 1/2-20
21	710-0539	1	/P	Hex Bolt, 3/8 -24 x 1.75
22	756-04171	1	/P	Reverse Disc
23	GW-9245	1	/P	Forward Drive Belt
24	619-04124	1	/P	Engine Power Take-off Pulley
25	736-04192	1	/P	Flat Washer, .766 x 1.0 x .031
25	736-04187	1	/P	Flat Washer, .766 x 1.0 x .062 Not Shown
26	GW-9303	1	/P	Engine Pulley Key, 3/16"x 2-1/2"
27	710-0376	1	/P	Hex Bolt, 5/16-18 x 1"
28	712-3010	1	S	Hex Nut, 5/16-18
29	GW-1034	1	S	Engine Mounting Bar
30	GW-9147	1	/P	Thread Protector Plug
31	710-04458	1	S	Hex Bolt, 5/16-24 x 1-1/8 "
32	736-0119	1	S	Spring Lockwasher, 5/16"
33	719-04222	1	S	Motor Mount
34	736-3052	1	/P	Flat Washer, .406 x 1.0 x .105
35	710-0606	1	/P	Hex Screw, 1/4-20 x 1-1/2"
36	634-04231	1	S	Wheel Assembly, 16 x 4.6 x 8"
36	634-04230	1		Rim Assembly Not Shown
36	734-0808	1	S	Tire, 16.2 x 4.6 Not Shown
37	712-04064	1	/P	Hex Flange Nut, 1/4-20



21A-682J066 305cc Roto-Tiller (2008)
Forward Interlock System

Page 12 of 23

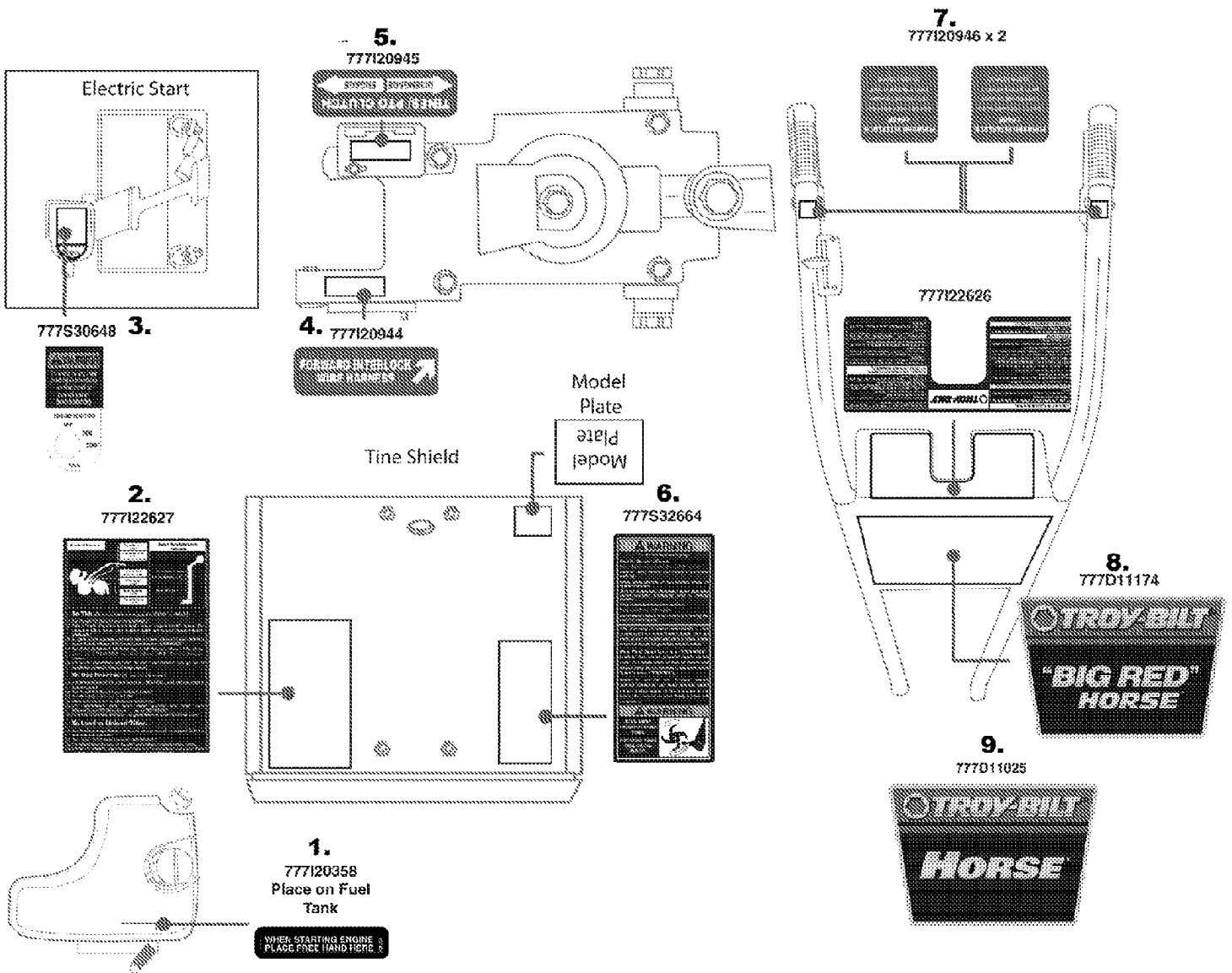
Ref #	Part Number	Qty	S/P/F	Description
1	725-04368	1		Forward Engine Wire Harness Ass.
2	736-0508	1		Internal L-Washer, 9/16"
3	725-0157	1	/P	Plastic Tie



21A-682J066 305cc Roto-Tiller (2008)
Handle Assembly

Page 14 of 23

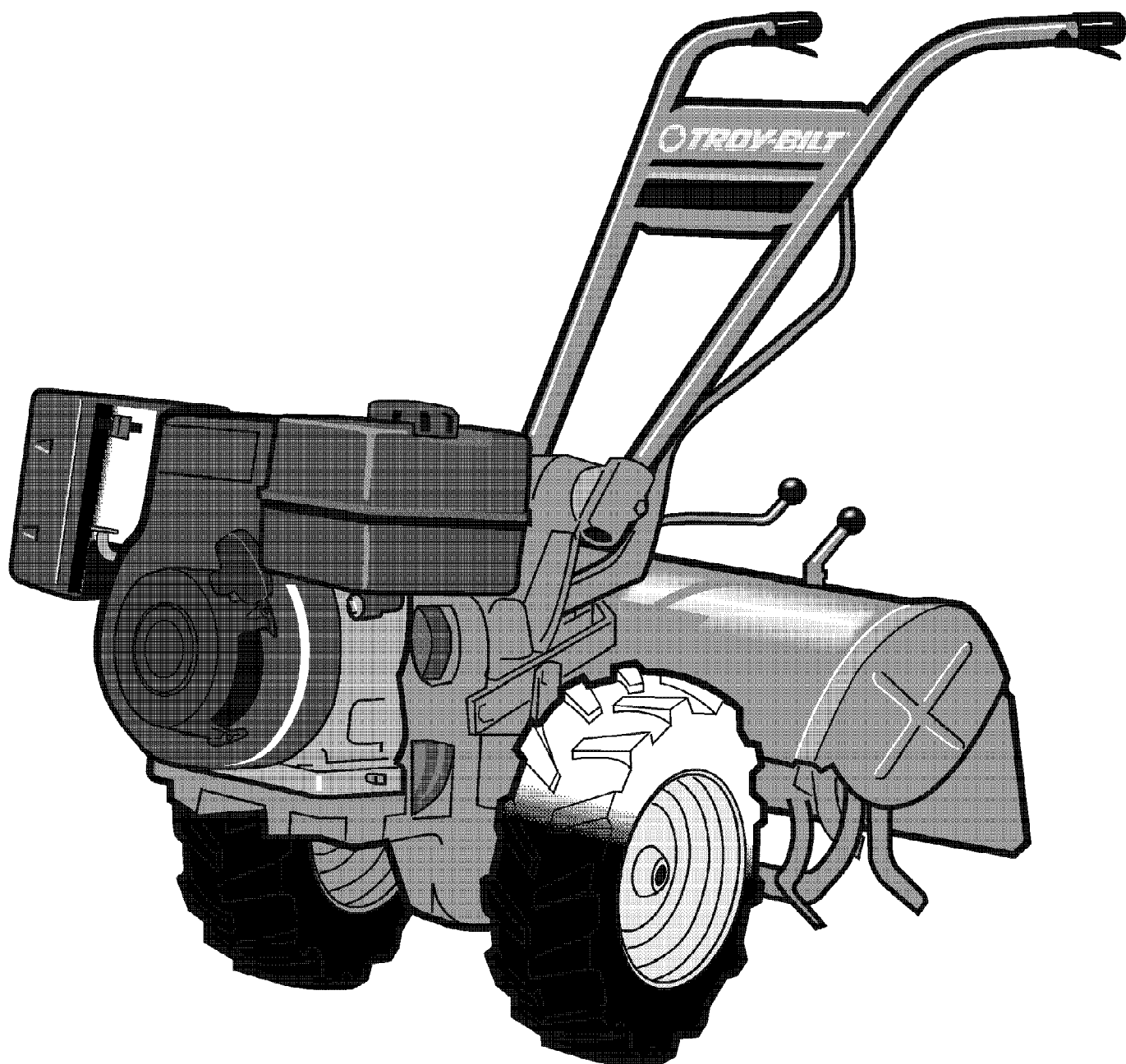
Ref #	Part Number	Qty	S/P/F	Description
1	GW-9548	1	/P	Hex Bolt, 1/2-13 x 3-1/2"
2	GW-9119	1	/P	Handlebar Height Adjustment Knob
3	GW-9120	1	/P	Retaining Ring
4	GW-2657	1	S	Handlebar Height Adjustment Stud
5	1186233	1	S	Hex Nut, 1/2"-13
6	GW-1021-1	1	S	Handlebar Hgt, Adj. Clamp (LT)
7	GW-2542-1	1	S	Handlebar Hgt. Adj. Ratchet (LT)
8	GW-2542-2	1	S	Handlebar Hgt. Adj. Ratchet (RT)
9	1901784	1	S	Handlebar Hgt. Adj. Clamp (RT)
10	GW-2534A	1	S	Handlebar Mounting Base
11	649-04020	1	S	Handlebars
12	720-04083	1	/P	Handlebars Grip
13	1918111	1		Curved Head Bolt, 1/4-20 x 2"
14	1186389	1	/P	Hex Nut, 1/4"-20
15	1909286	1	S	Throttle Control & Cable, 66"
16	725-0157	1	/P	Plastic Tie
17	GW-9219	1	/P	Wire Harness Retainer Plug
18	725-04367	1		Handlebar Wire Harness Assembly
19	GW-2563	1	S	Switch Assembly
20	710-0779A	1	/P	Pan Head Screw, #10-16 x 1/2"
21	GW-9733	1	/P	Phillips Head Screw, 10-32 x 1/2"
22	786-04003	1	S	Operator Presence Control Lever
23	GW-9199	1	/P	Pivot Pin
24	GW-9514	1	/P	Retaining Ring
25	GW-9387	1	/P	Return Spring
26	712-3010	1	S	Hex Nut, 5/16-18
27	736-0119	1	S	Washer, 5/16
28	710-0805	1	/P	Cap Screw, 5/16-18 x 1.5
29	1901835	1		Plug Cap



21A-682J066 305cc Roto-Tiller (2008)
Label Map

Page 16 of 23

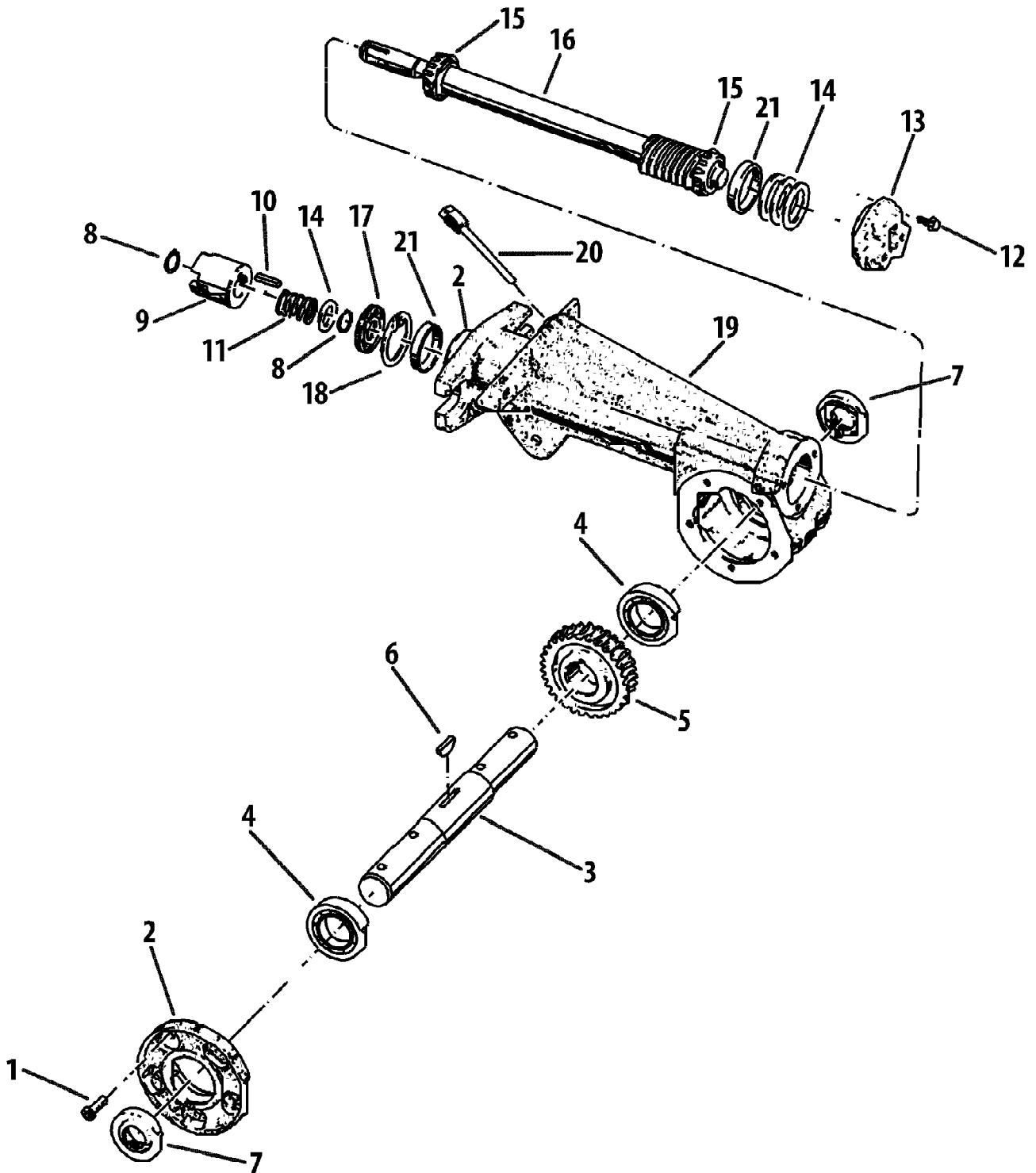
Ref #	Part Number	Qty	S/P/F	Description
1	777I20358	1		LABEL-PLACE HAND HERE
2	777I22627	1		LABEL:TILLER SHIELD 680
3	777S30648	1	/P	LABEL-ENGINE IGNIT Big Red Horse Only
4	777I20944	1	/P	LABEL-FORWARD INTR
5	777I20945	1	/P	LABEL-TINES/PTO CLUTCH
6	777S32664	1		LABEL:TILLER/680 TINE SHIELD
7	777I20946	1		LABEL-FORWARD INTRLK
8	777D11174	1		LABEL-TILLER HANDLE BIG RED
9	777D11025	1		LABEL-TILLER HANDLE PANEL:HORSE



21A-682J066 305cc Roto-Tiller (2008)
Quick Reference

Page 18 of 23

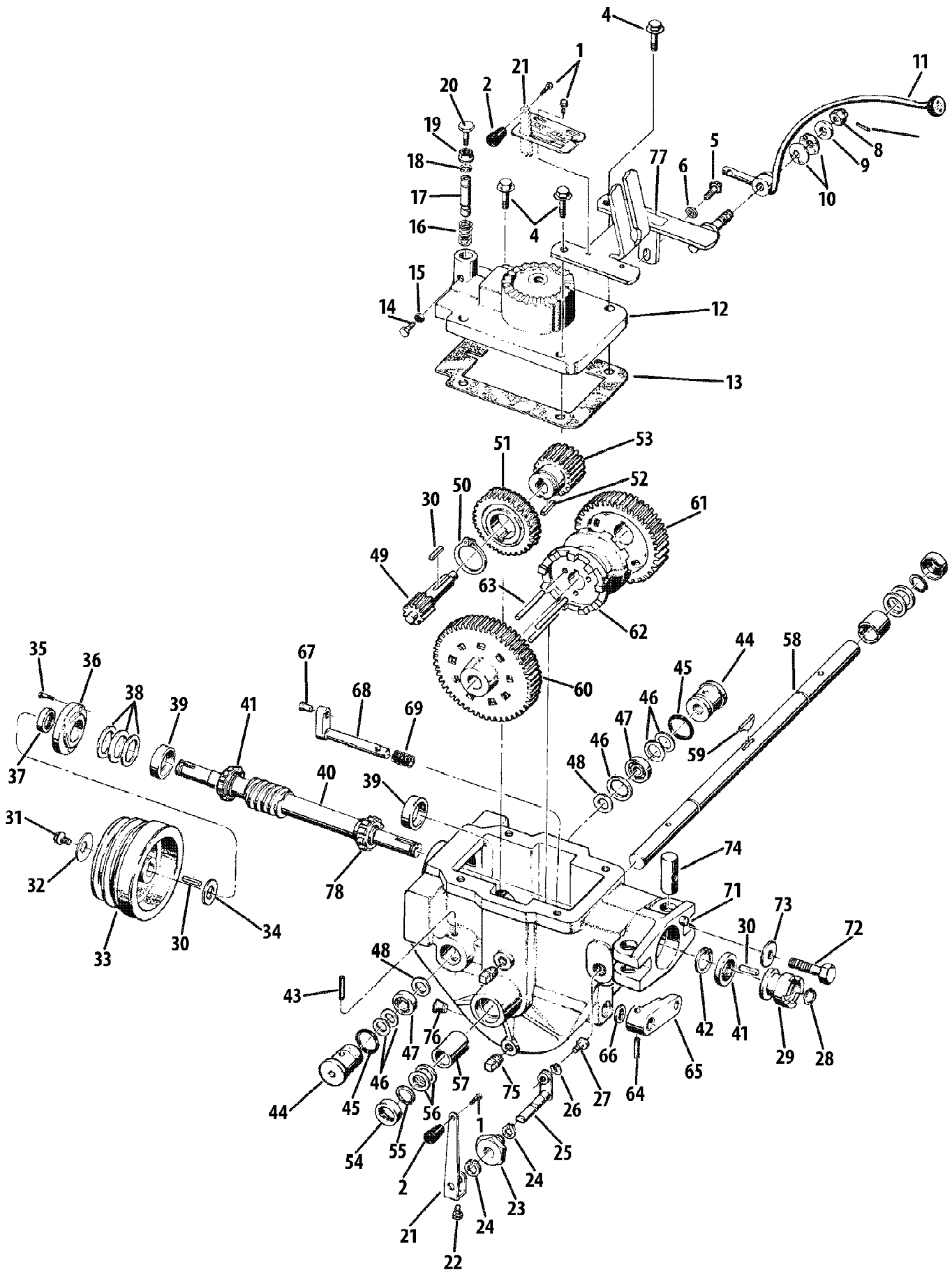
Ref #	Part Number	Qty	S/P/F	Description
	759-3336	1	/P	Spark Plug
	BS-491435S	1	/P	Pre Filter
	BS-491588S	1	/P	Air Filter
	BS-298090S	1	/P	Fuel Filter Big Red Horse Only
	GW-9245	1	/P	Drive Belt (FWD)
	N/A	1		Drive Belt (REV)
	756-04171	1	/P	Reverse Disc
	N/A	1		Idler Pulley
	1909286	1	S	Throttle Control & Cable
	742-04118	1	S	Tines (LH)
	742-04119	1	S	Tines (RH)
	634-04230	1		Rim
	734-0808	1	S	Tire
	634-04231	1	S	Wheel Assembly
	720-04083	1	/P	Foam Grip
	GW-2595	1	S	Shift Control Knob
	GW-9119	1	/P	Handle Knob



21A-682J066 305cc Roto-Tiller (2008)
Tiller Shaft Assembly

Page 20 of 23

Ref #	Part Number	Qty	S/P/F	Description
1	1915068	1	/P	Self-Sealing Screw, 1/4"-20 x 5/8 "
2	GW-20873	1	/P	Tiller Housing Cover
3	711-04082	1	S	Tine Shaft
4	741-3037	1	S	Ball Bearing
5	1901976	1	/P	Worm Gear
6	GW-1104	1	/P	Woodruff Key
7	721-04035	1	S	Oil Seal
8	716-0101	1	S	External Retaining Ring
9	1909138	1	S	Dog Clutch
10	GW-9301	1	S	Key, 3/16" x 1"
11	GW-2127	1	/P	Spring
12	1915069	1	/P	Self-Sealing Screw, 1/4"-20 x 7/8"
13	GW-1115	1	S	Cap
14	736-04305	1	/P	Flat Washer, 1.75 x 1.5 x .062
14	736-04306	1	/P	Flat Washer, 1.75 x 1.5 x .005 Not Shown
14	736-04307	1	/P	Flat Washer, 1.75 x 1.5 x .03 Not Shown
14	736-04308	1	/P	Flat Washer, 1.75 x 1.5 x .01 Not Shown
15	741-04299	1	S	Cup Bearing
16	GW-2653	1	S	Shaft
17	721-04030	1	S	Oil Seal
18	716-04102	1	/P	Retaining Ring
19	1901971	1	S	Attachment Housing
20	1909157	1		Oil Dipstick
21	741-04298	1	S	Cone Bearing



21A-682J066 305cc Roto-Tiller (2008)
Wheel Shaft Assembly

Page 22 of 23

Ref #	Part Number	Qty	S/P/F	Description
1	1186299	1	S	Hex Bolt, #10-32 x 3/8 "
2	GW-9463	1	/P	Knob
3	GW-2124	1	S	Plate
4	1186349	1	/P	Hex Flange Bolt, 3/8-16 x 1-1/2"
5	1186329	1	S	Hex Flange Bolt, 5/16-18 x 3/4"
6	736-0275	1	S	Flat Washer, 5/16"
7	GW-9362	1	/P	Spring Pin, 1/8 "
8	712-3012	1	S	Hex Nut, 1/2-20
8	736-0326	1	S	Flat Washer, .510 x 1.0 x .125 Not shown
9	GW-9934	1	/P	Shoulder Washer, 1/2"
10	GW-9932	1	/P	Disc Spring Washer
11	GW-2178	1	S	Wheel Speed Shift Lever
12	GW-2523	1	S	Power Unit Transmission Cover
13	GW-1123	1	/P	Transmission Cover Gasket
14	710-0376	1	/P	Hex Bolt, 5/16-18 x 1"
15	712-3010	1	S	Hex Nut, 5/16"-18
16	1901439	1	/P	Plunger Spring
17	GW-1035-1	1	S	Plunger
18	1901440	1	/P	Clip Ring
19	712-04065	1	/P	Flange Lock Nut
20	1902004	1	/P	Hex Bolt, 3/8 -16x1-1/2"
21	786-04002	1	/P	Tines/PTO Clutch Lever
22	710-3013	1	/P	Hex Bolt, 1/4-20 x 1/2"
23	741-04008	1	/P	Tines/PTO Clutch Bushing
24	GW-9516	1	/P	External Retaining Ring
25	GW-2461	1	/P	Tines/PTO Clutch Shaft
26	GW-9911	1	/P	Hi-Collar Lockwasher, 1/4"
27	GW-9672	1	S	Socket Head Screw, 1/4-20 x 3/8"
28	716-0101	1	S	External Retaining Ring
29	1909139	1	S	Dog Clutch
30	GW-9301	1	S	Key, 3/16 x 1"
31	1100004	1	S	Hex Bolt, 5/16-24 x 3/4"
32	GW-9944	1	S	Spring Washer, .827 x .331 x .098
33	GW-2107	1	/P	Transmission Drive Pulley
34	GW-50027	1	/P	Flat Washer, 1-1/4"
35	710-04466	1	S	Flange Nut, 1/4-20 x .75
36	718-04007	1	/P	Front Bearing Cap
37	721-04044	1	S	Oil Seal
38	736-04305	1	/P	Flat Washer, 1.175 x 1.5 x .062
38	736-04306	1	/P	Flat Washer, 1.175 x 1.5 x .005
38	736-04307	1	/P	Flat Washer, 1.175 x 1.5 x .03
38	736-04308	1	/P	Flat Washer, 1.175 x 1.5 x .01
39	741-04299	1	S	Cup Bearing
40	GW-2655	1		Main Drive Shaft
41	721-04030	1	S	Oil Seal
42	716-04102	1	/P	Retaining Ring
43	715-0121	1	/P	Roll Pin (Spirol), 1/4 x 2
44	718-04006	1		Pinion Bearing
45	GW-9604	1	/P	O-Ring
46	736-04310	1		Flat Washer, 1.234 x 1.015 x .062
46	GW-1132-1	1	/P	Flat Washer, 1.234 x 1.015 x .033
46	GW-1132-3	1	/P	Flat Washer, 1.234 x 1.015 x .01
47	GW-9404	1	/P	Pinion Shaft

21A-682J066 305cc Roto-Tiller (2008)
Wheel Shaft Assembly

Page 23 of 23

Ref #	Part Number	Qty	S/P/F	Description
48	GW-1126	1	/P	Washer
49	GW-1222	1	/P	Pinion Stem
50	GW-9502	1	/P	External Retaining Ring
51	GW-2656	1	/P	Worm Gear
52	GW-9300	1	/P	Key, 3/16" x 5/8 "
53	GW-1233	1	/P	Fast Speed Pinion Gear
54	721-04031	1	S	Oil Seal
55	716-04104	1	/P	External Retaining Ring
56	736-04257	1	/P	Flat Washer, 1.375 x 1.015 x .005
56	736-04258	1	/P	Flat Washer, 1.375 x 1.015 x .01
56	736-04259	1		Flat Washer, 1.375 x 1.015 x .015
56	736-04260	1		Flat Washer, 1.375 x 1.015 x .03
56	736-04309	1	/P	Flat Washer, 1.375 x 1.015 x .062
57	741-04300	1	S	Bushing, 1.25 x 1.005 x 1.5
58	611-04077	1	S	Wheel Shaft
59	714-04014	1	/P	Hi-Pro Key, .250 x 1.8125
60	GW-1223	1	/P	Slow Speed Gear
61	GW-1232	1	/P	Faste Gear Speed
62	GW-1237	1	/P	Dog Clutch
63	GW-1112	1	/P	Clutch Guide Pin, 1/4"
64	1911372	1	/P	Roll Pin, 3/16" x 1-1/4"
65	619-04000	1	S	Wheel Speed Shifting Lever
66	721-04034	1	S	Oil Seal
67	GW-1442	1	S	Wheel Speed Shifting Pin
68	611-04003	1	/P	Wheel Speed Shifting Shaft
69	GW-1441	1	/P	Spring
70	GW-2109	1	S	Transmission Housing
71	GW-9359	1	/P	Alignment Pin
72	1100067	1	/P	Hex Bolt, 1/2-13 x 2"
73	GW-9928	1	/P	Disc Spring Washer
74	GW-2126	1		Post
75	1105620	1	/P	Pipe Plug, 1/4"
76	GW-9122	1	/P	Plug-Red Plastic
77	GW-2149	1	S	Clutch Bracket
78	741-04298	1	S	Cone Bearing