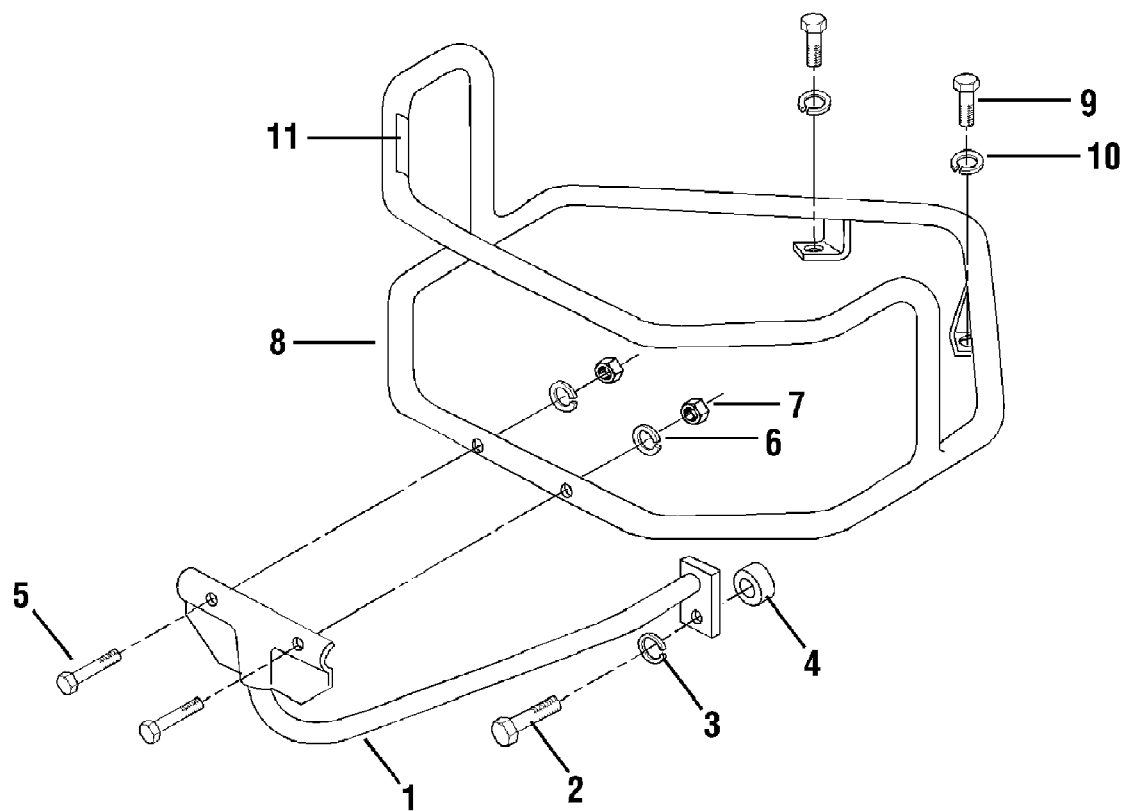


21A-682J063 8HP Roto-Tiller (2002)
Bolo Tine Assemblies

Page 2 of 26

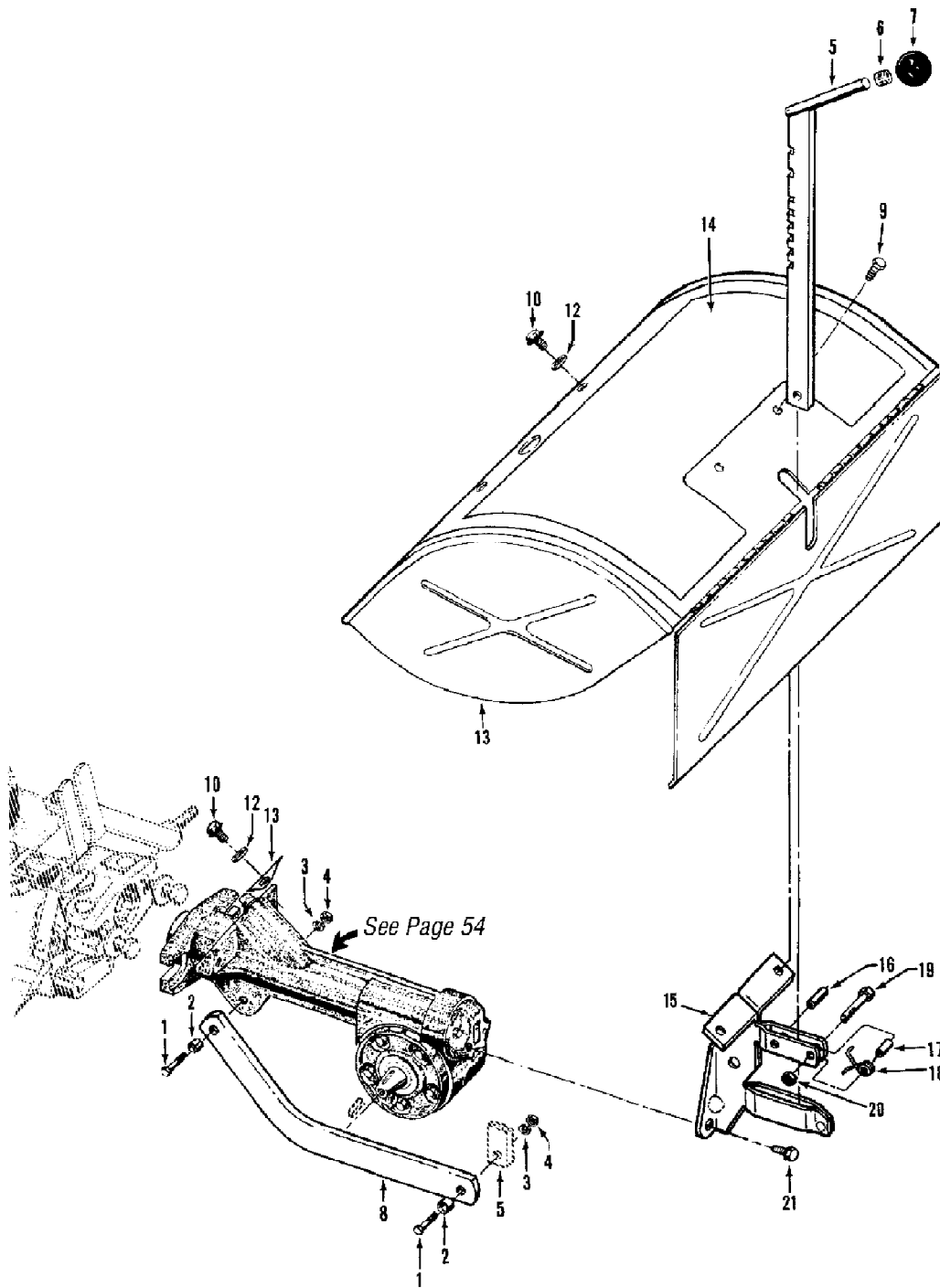
Ref #	Part Number	Qty	S/P/F	Description
1	1901975001	2	S	Tine Holder-welded steel, fits left or right sides STANDARD TILLING TINES
2	1982612	4	S	Bolt-hex hd., 3/8-16 x 2" STANDARD TILLING TINES
3		1		UNKNOWN
6	GW-1270-1A	8	S	Bolo Tine-single, left hand. Used on left and right side tine assy. Tine is stamped either "EL" or "AL"; STANDARD TILLING TINES
7	GW-1270-2A	8	S	Bolo Tine-single, right hand. Used on left and right side tine assy. Tine is stamped either "ER" or "AR"; STANDARD TILLING TINES
8	710-3005	16	/P	Bolt-hex hd., 3/8-16 x 1" STANDARD TILLING TINES
10	712-0375	20	/P	Locknut-hex, 3/8"-16 STANDARD TILLING TINES
	290-253-081	1		Tine Replacement Kit-unassembled (Incl. eight each of Ref. No.'s 6, and 7, sixteen each of Ref. No.'s 8 and 10). Includes easy-to- follow installation instruction. DOES NOT INCLUDE tine holders, holder mounting hardware, or tine shaft keys; STANDARD TILLING TINES
	GW-10802	1	/P	Custom Tilling Tine Kit (Incl. eight each of Part GW-2475-1 and GW-2475-2 tines and sixteen each of Ref. No.'s 8 and 10; Custom Tilling Tines
	GW-2475-1	8	S	Bolo Tine, Custom Tilling-single, left hand Custom Tilling Tines
	GW-2475-2	8	S	Bolo Tine, Custom Tilling-single, right hand Custom Tilling Tines



21A-682J063 8HP Roto-Tiller (2002)
Bumper Attachment

Page 4 of 26

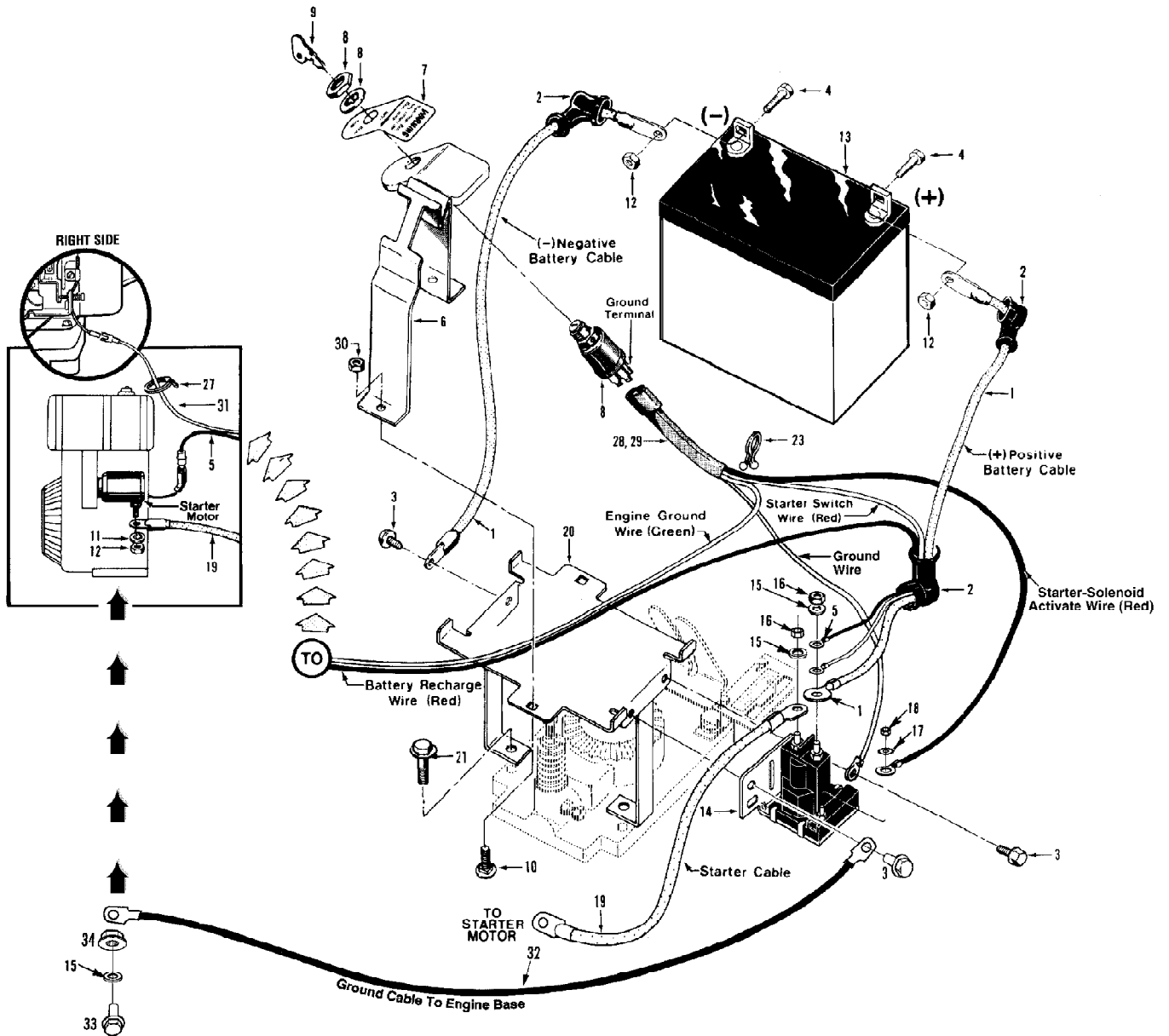
Ref #	Part Number	Qty	S/P/F	Description
	290-255-081	1		Bumper Attachment Includes Ref. Nos. 1 through 11)
1	1910730001	1	/P	Brace - bumper bottom
2	710-3181	1	/P	Bolt - hex hd., 1/2-13 x 1-1/2"
3	736-0921	1	S	Lockwasher - spring lock, 1/2"
4	1909748	1	/P	Spacer, 1/2"
5	710-0805	2	/P	Bolt - hex hd., 5/16-18 x 1-1/2"
6	736-0119	2	S	Lockwasher - spring lock, 5/16"
7	712-0267	2	S	Nut - hex, 5/16"-18
8	1910731001	1	/P	Bumper wraparound
9	710-0514	2	/P	Bolt - hex hd., 3/8-16 x 1"
10	736-0169	2	S	Lockwasher - spring lock, 3/8"
11	777S30653	1		Decal For bumper



21A-682J063 8HP Roto-Tiller (2002)
Depth Regulator & Tine Hood Assemblies

Page 6 of 26

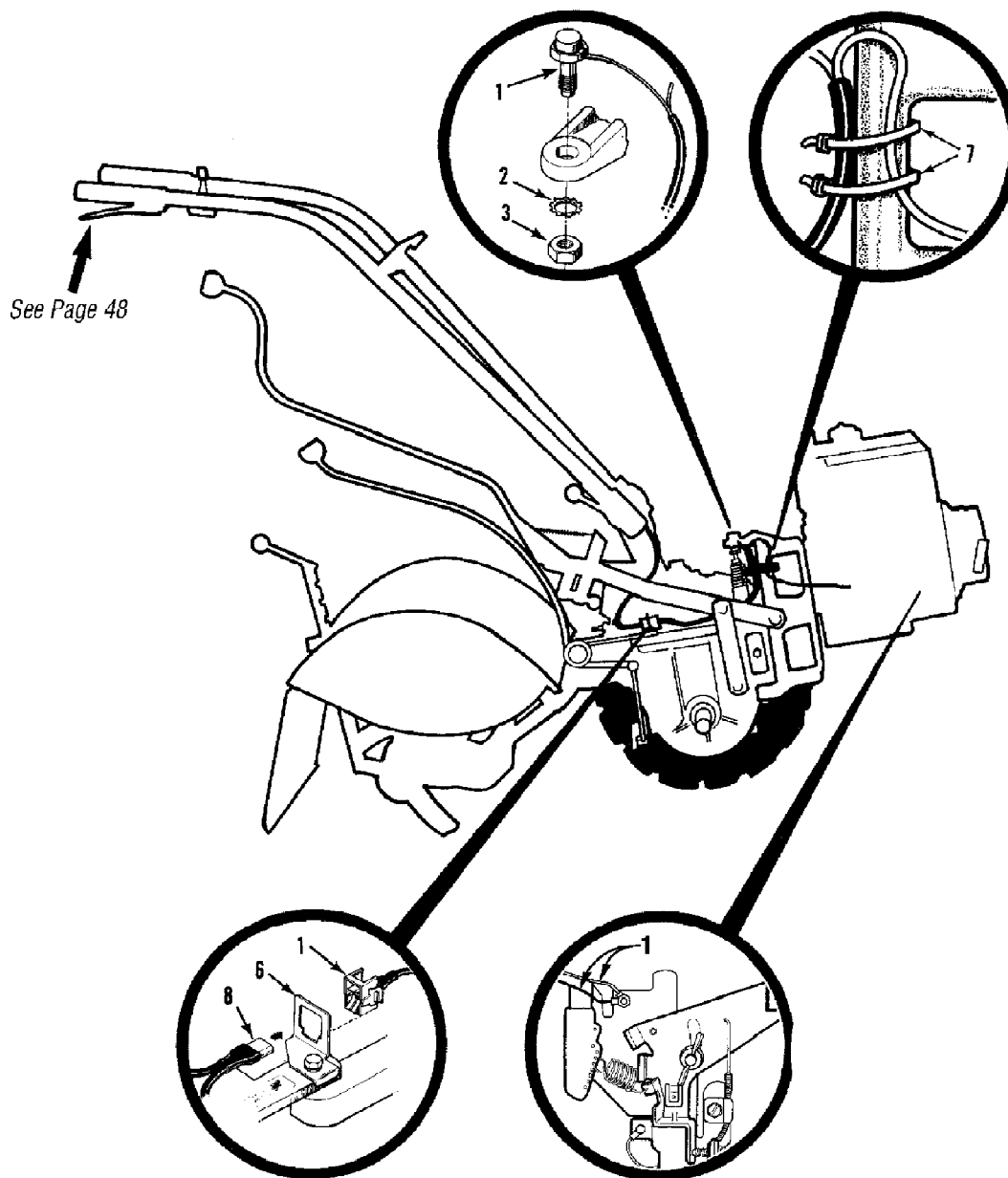
Ref #	Part Number	Qty	S/P/F	Description
1	710-3005	2	/P	Bolt-hex hd., 3/8-16 x 1-1/4"
2	GW-1113-1	2	S	Bushing-19/64" (.300" lg.)
3	736-0169	2	S	Lockwasher-spring lock, 3/8"
4	712-0798	2	/P	Nut-hex, 3/8"-16
5	GW-1117A	1	S	Bar-depth regulator
6	GW-9120	1	/P	Ring-retaining
7	GW-9119	1	/P	Knob-depth regulator
8	GW-2121	1	S	Bar-drag, depth regulator
9	GW-9552	2	S	Screw-thread-forming, 1/4-20 x 1/2"
10	1186329	2	S	Bolt-flanged hex hd., 5/16-18 x 3/4"
12	GW-9929	2	/P	Washer-flat, 5/16"
13	1904563	1	/P	Hood
14	1904543	1	/P	Decal-hood, operating instructions
15	GW-2527	1	/P	Bracket
16	1185469	1	S	Pin-roll (spirol) 1/4" x 1"
17	GW-9534	1	/P	Spacer
18	GW-9384	1	S	Spring
19	710-0597	1	/P	Bolt-hex hd., 1/4-20x1"
20	1110106	1	/P	Locknut-1/4"-20
21	1186328	2	S	Bolt-flanged hex hd., 5/16-18 x 5/8"



21A-682J063 8HP Roto-Tiller (2002)
Electric Start System

Page 8 of 26

Ref #	Part Number	Qty	S/P/F	Description
1	GW-96515	2	/P	Cable-battery, positive and negative terminals
2	GW-97020	3	/P	Boot-terminal insulating
3	GW-9552	3	S	Screw-self-threading, 1/4-20 x 1/2"
4	1186309	2	/P	Bolt-hex hd., 1/4-20 x 5/8"
5	1901894	1	/P	Wire-recharge (red)
6	GW-2614	1	S	Battery Hold-down Clamp-with attached Key Switch Plate
7	777S30648	1	/P	Decal-ignition switch instruc.
8	725-0267A	1	S	Key Switch Includes two ignition keys (Ref. No. 9), one lockwasher, and one mounting nut (lock-washer and nut not available separately)
9	725-0201	1	S	Key-ignition, one pair
10	1180673	2		Bolt-carriage, 1/4-20 x 1-1/4"
11	1100241	2	S	Lockwasher-spring lock, 1/4"
12	712-0287	2	S	Nut-hex, 1/4"-20
13	725-1706	1	S	Battery-12 volt, 270 CCA.
14	GW-96514	1	S	Solenoid-starter Includes nuts and washers for cables and wires
15	736-0119	3	S	Lockwasher-5/16"
16	1186211	2	/P	Nut-hex, 5/16"-24
17	736-0147	1	S	Lockwasher-external tooth, #10
18	GW-9853	1	/P	Nut-hex, #10-32,
19	GW-96510	1	/P	Cable-solenoid to starter motor
20	GW-2571	1	/P	Battery Bracket
21	1186349	2	/P	Bolt-flanged hex hd., 3/8-16 x 1-1/2"
23	GW-9265	1	/P	Tie-plastic, wire retaining
27	725-0157	2	/P	Tie-plastic
28	1908118	1	S	Wire Harness & Connecting Terminal Assembly
29		1		UNKNOWN
30	1186389	3	/P	Locknut-hex, 1/4"-20
31	GW-20421	1	/P	Ground Wire Assembly
32	1901202	1	/P	Cable-ground, solenoid to engine block
33	710-3180	1	/P	Bolt-flange lock, 5/16-18 x 1"
34	712-3010	1	S	Nut-flange lock, 5/16"-18

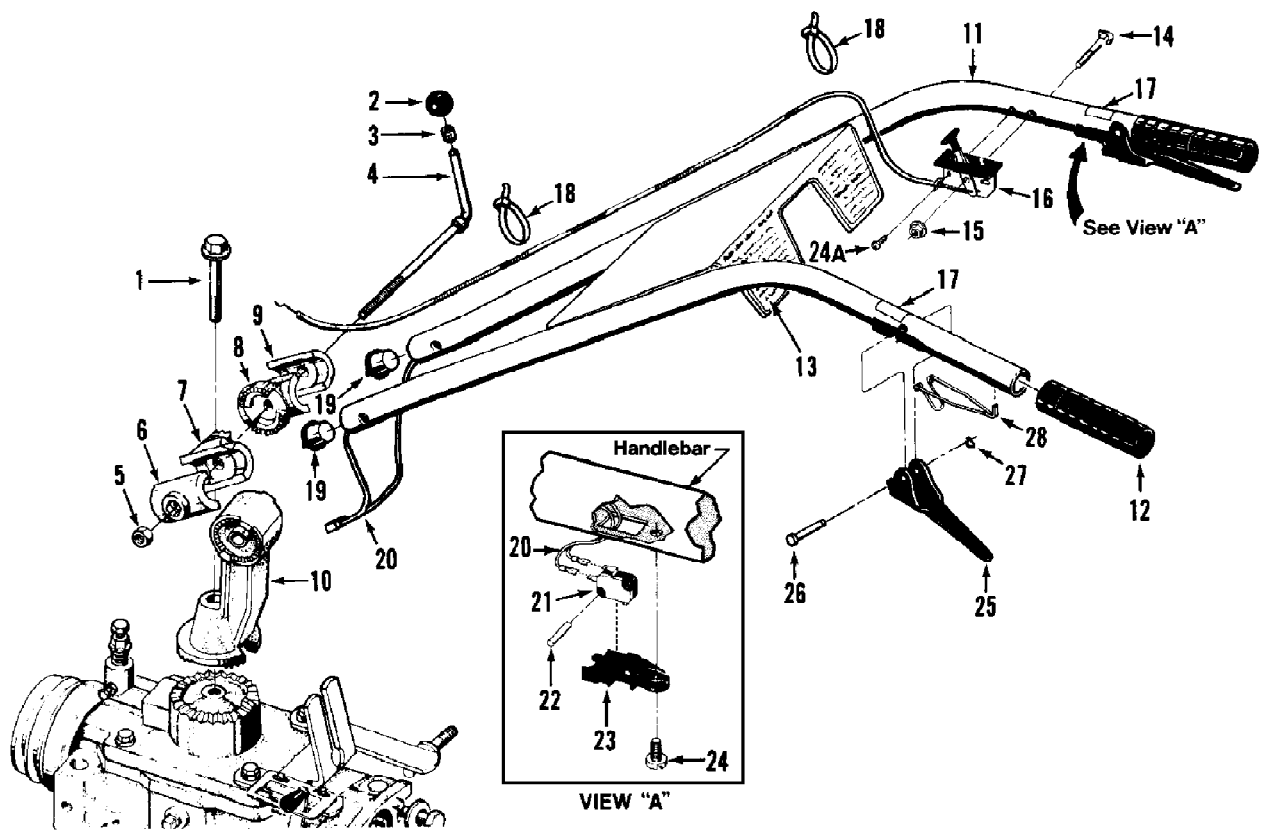


BRIGGS & STRATTON

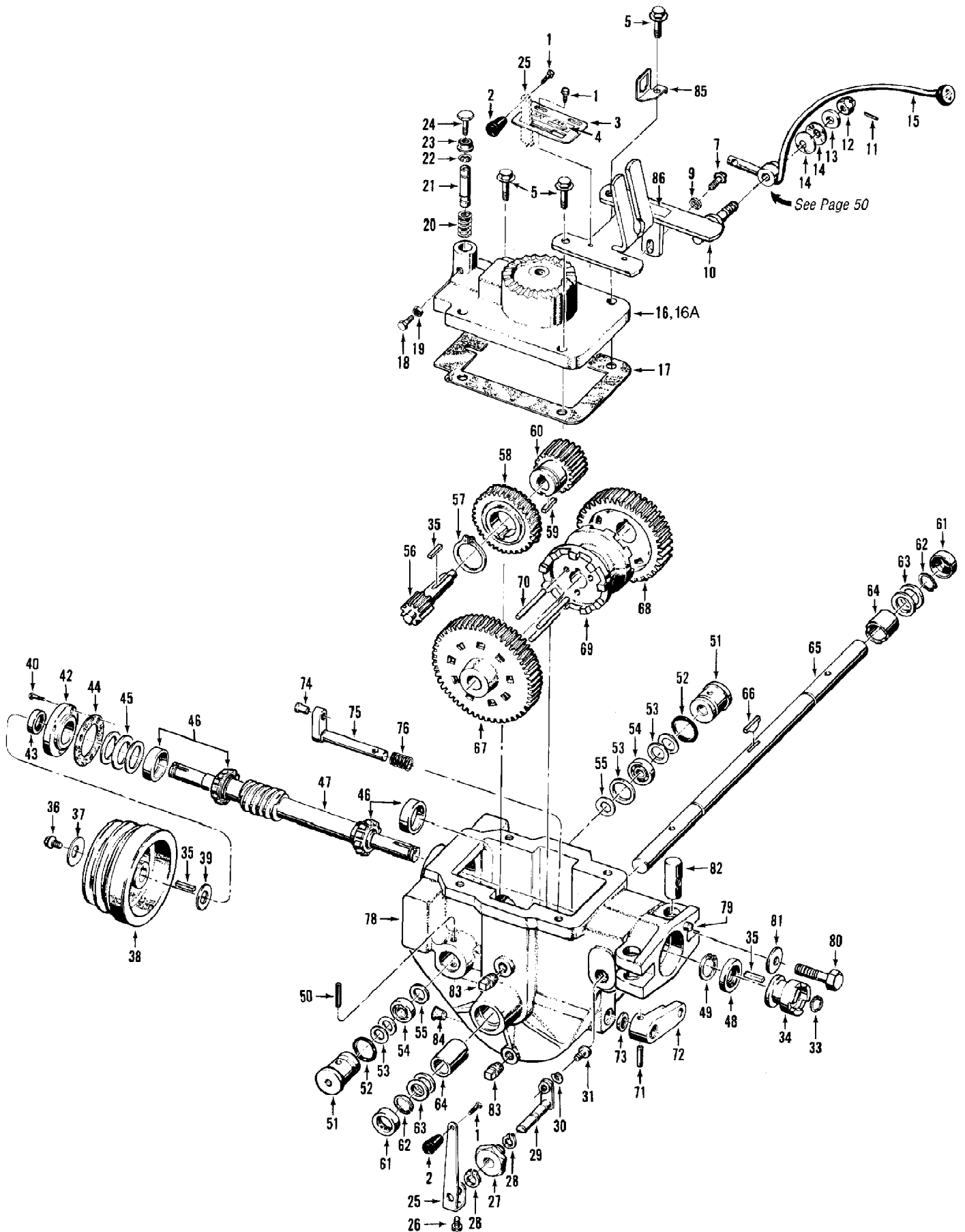
21A-682J063 8HP Roto-Tiller (2002)
Forward Interlock System

Page 10 of 26

Ref #	Part Number	Qty	S/P/F	Description
1	GW-2552	1	/P	Engine Wire Harness Assy-forward interlock system (Incl. one red and one black wire, plug connector, neutral switch and PVC tubing. Parts not available separately.
2	GW-9971	1	/P	Lockwasher-external tooth, 7/16"
3	1186246	1	/P	Nut-hex, 7/16"-20
6	GW-9205	1	/P	Clip-for plug connector
7	725-0157	2	/P	Tie-plastic
8	GW-2551	1	/P	Handlebar Wire Harness Assy (See "Handlebar Assembly" illustration & parts list, Ref. No. 20)



Ref #	Part Number	Qty	S/P/F	Description
1	GW-9548	1	/P	Bolt-Hex hd., flanged self-locking Grade 5, 1/2-13 x 3-1/2"
2	GW-9119	1	/P	Knob-handlebar height adjustment
3	GW-9120	1	/P	Ring-retaining (tolerance ring)
4	GW-1881	1	/P	Stud-handlebar height adjustment
5	1186233	1	S	Nut-hex, 1/2"-13
6	GW-1021-1	1	S	Clamp-left, handlebar height adjustment
7	GW-2542-1	1	S	Ratchet-left, handlebar height adjustment
8	GW-2542-2	1	S	Ratchet-right, handlebar height adjustment
9	1900855010	1	/P	Clamp-right, handlebar height adjustment
10	GW-2534A	1	S	Base-handlebar mounting
11	GW-2717010P	1	S	Handlebars
12	GW-9125	2	S	Grip-handlebars
13	777I20947	1		Decal-Control panel
	777I22000	1		Decal-Control panel ("Big Red")
14	GW-9547	1	/P	Bolt-curved hd, GR5, 1/4-20 x 2"
15	1186389	1	/P	Nut-hex, flanged self-locking, whiz lock, 1/4"-20
16	1909286	1	S	Throttle Control & Cable
17	777I20946	2		Decal-Forward Interlock Lever
18	725-0157	2	/P	Tie-plastic
19	GW-9219	2	/P	Plug-wire harness retainer
20	GW-2551	1	/P	Handlebar Wire Harness Assy-forward interlock system
21	GW-9250	2	S	Handlebar Switch-forward interlock system
22	GW-9385	2	/P	Lock Pin-handlebar switch
23	GW-2543	2	S	Switch Housing-handlebar switch
		1		Switch Assembly (Includes Ref. 21-23); N/S
24	1186009	2	/P	Screw-pan head, 10-24 x 1/2", thread-forming
24A	GW-9733	1	/P	Screw-phillips head, 10-32 x 1/2", thread-forming
25	GW-2546	2	S	Lever-forward interlock
26	GW-9199	2	/P	Pivot Pin-forward interlock lever
27	GW-9514	2	/P	Retaining Ring-klip ring-forward interlock lever
28	GW-9387	2	/P	Return Spring-fwd interlock lever



21A-682J063 8HP Roto-Tiller (2002)
Power Unit Transmission Assemblies

Page 14 of 26

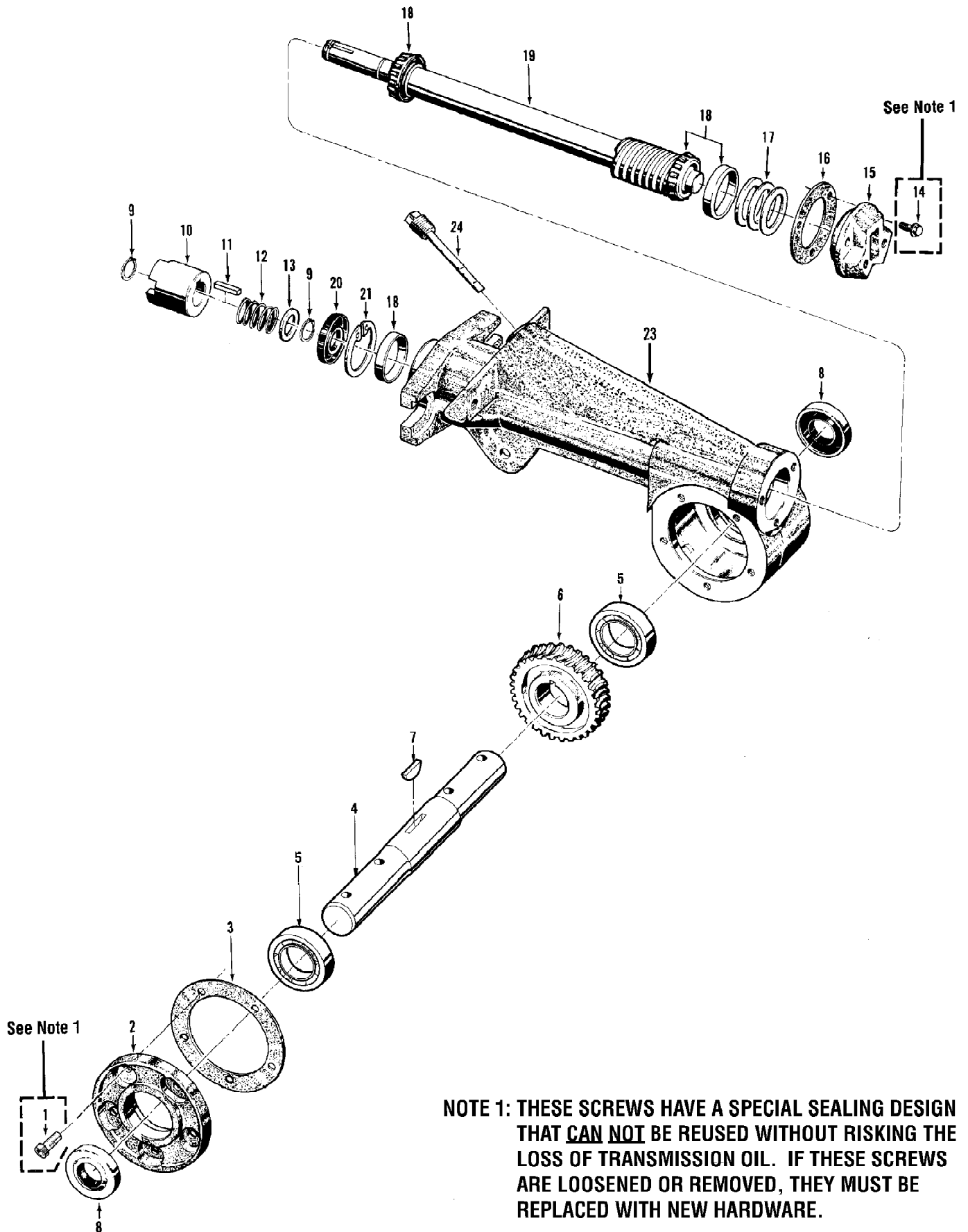
Ref #	Part Number	Qty	S/P/F	Description
1	1186299	3	S	Bolt-hex hd., #10-32 x 3/8", self-locking flange TRANSMISSION COVER & SHIFT LEVER BRACKET ASSEMBLIES
2	GW-9463	1	/P	Knob-tines/PTO clutch lever, tapered, plastic TRANSMISSION COVER & SHIFT LEVER BRACKET ASSEMBLIES
3	GW-2263	1	/P	Detent Plate-tines/PTO clutch lever TRANSMISSION COVER & SHIFT LEVER BRACKET ASSEMBLIES
4	777I20945	1	/P	Decal-operating instructions, detent plate TRANSMISSION COVER & SHIFT LEVER BRACKET ASSEMBLIES
5	1186349	4	/P	Bolt-flanged hex hd., 3/8-16 x 1-1/2" TRANSMISSION COVER & SHIFT LEVER BRACKET ASSEMBLIES
7	1186329	1	S	Bolt-flanged hex hd., 5/16-18 x 3/4", Grade 5 TRANSMISSION COVER & SHIFT LEVER BRACKET ASSEMBLIES
9	736-0275	1	S	Washer-flat, 5/16", S.A.E. TRANSMISSION COVER & SHIFT LEVER BRACKET ASSEMBLIES
10	GW-2149	1	S	Bracket-shift levers TRANSMISSION COVER & SHIFT LEVER BRACKET ASSEMBLIES
11	GW-9362	1	/P	Pin-spring, 1/8" TRANSMISSION COVER & SHIFT LEVER BRACKET ASSEMBLIES
12	GW-9838	1		Nut-castle (slotted), 1/2"-20, call Tech Service for tightening instructions TRANSMISSION COVER & SHIFT LEVER BRACKET ASSEMBLIES
13	GW-9934	1	/P	Washer-shoulder, 1/2" TRANSMISSION COVER & SHIFT LEVER BRACKET ASSEMBLIES
14	GW-9932	2	/P	Washer-disc spring TRANSMISSION COVER & SHIFT LEVER BRACKET ASSEMBLIES
15	GW-2628	1	/P	Lever-wheel speed shift TRANSMISSION COVER & SHIFT LEVER BRACKET ASSEMBLIES
16	GW-2523	1	S	Cover-power unit transmission TRANSMISSION COVER & SHIFT LEVER BRACKET ASSEMBLIES
16A		1		UNKNOWN
17	GW-1123	1	/P	Gasket-transmission cover TRANSMISSION COVER & SHIFT LEVER BRACKET ASSEMBLIES

Ref #	Part Number	Qty	S/P/F	Description
18	710-0376	1	/P	Bolt-hex hd., 5/16-18 x 1", Grade 5, (remove with care) TRANSMISSION COVER & SHIFT LEVER BRACKET ASSEMBLIES
19	712-0267	1	S	Nut-hex, 5/16"-18 TRANSMISSION COVER & SHIFT LEVER BRACKET ASSEMBLIES
20	1901439	1	/P	Spring-neutral plunger (remove with care) TRANSMISSION COVER & SHIFT LEVER BRACKET ASSEMBLIES
21	GW-1035	1	/P	Plunger-neutral (remove with care) TRANSMISSION COVER & SHIFT LEVER BRACKET ASSEMBLIES
22	1901440	1	/P	Clip Ring-retains neutral plunger TRANSMISSION COVER & SHIFT LEVER BRACKET ASSEMBLIES
23	1186393	1	/P	Nut-hex, flange locknut, 3/8"-16 TRANSMISSION COVER & SHIFT LEVER BRACKET ASSEMBLIES
24	1902004	1	/P	Bolt-hex hd., 3/8-16x1-1/2", threaded full length TRANSMISSION COVER & SHIFT LEVER BRACKET ASSEMBLIES
25	1900878001	1	S	Lever-eccentric, tines/PTO clutch TINES/PTO CLUTCH LEVER ASSEMBLY
26	1100804	1	S	Bolt-hex hd., 1/4-20 x 1/2" TINES/PTO CLUTCH LEVER ASSEMBLY
27	GW-2123	1	S	Bushing-tines/PTO clutch lever eccentric shaft TINES/PTO CLUTCH LEVER ASSEMBLY
28	GW-9516	2	/P	Retaining Ring-(snap ring), external TINES/PTO CLUTCH LEVER ASSEMBLY
29	GW-2461	1	/P	Eccentric-shaft, tines/PTO clutch lever TINES/PTO CLUTCH LEVER ASSEMBLY
30	GW-9911	1	/P	Lockwasher-hi-collar, 1/4" TINES/PTO CLUTCH LEVER ASSEMBLY
31	GW-9672	1	S	Screw-socket hd., 1/4-20 x 3/8" TINES/PTO CLUTCH LEVER ASSEMBLY
33	716-0101	1	S	Retaining Ring-external DRIVE SHAFT ASSEMBLY
34	1909139	1	S	Dog Clutch-power unit DRIVE SHAFT ASSEMBLY
35	GW-9301	3	S	Key-3/16 sq. x 1" DRIVE SHAFT ASSEMBLY
36	1100004	1	S	Bolt-hex hd., 5/16-24 x 3/4", self-locking flange, Grade 5 DRIVE SHAFT ASSEMBLY
37	GW-9944	1	S	Washer-disc spring (concave) DRIVE SHAFT ASSEMBLY

Ref #	Part Number	Qty	S/P/F	Description
38	GW-2107	1	/P	Pulley-transmission drive, cast iron DRIVE SHAFT ASSEMBLY
39	GW-50027	1	/P	Washer-flat, hardened shoulder 1-1/4" DRIVE SHAFT ASSEMBLY
40	1186310	3	/P	Bolt-hex hd., 1/4-20 x 3/4", front bearing cap DRIVE SHAFT ASSEMBLY
42	GW-2424	1	S	Cap-front bearing DRIVE SHAFT ASSEMBLY
43	1983632	1	S	Seal-oil, front bearing cap DRIVE SHAFT ASSEMBLY
44	GW-1124-2	1	S	Gasket-front bearing cap DRIVE SHAFT ASSEMBLY
45	GW-1224-1	A/R	S	Shim-front bearing cap, .010" thick DRIVE SHAFT ASSEMBLY
45	GW-1224-2	A/R	S	Shim-as above, .030" DRIVE SHAFT ASSEMBLY
45	GW-1224-3	A/R	S	Shim-as above, .005" DRIVE SHAFT ASSEMBLY
45	GW-1224-4	A/R	S	Shim-as above, .062" DRIVE SHAFT ASSEMBLY
46	GW-1714	2	S	Bearing & Race (Incl. one bearing GW-9400 and one cup (race) GW-9401); DRIVE SHAFT ASSEMBLY
47	GW-2655	1		Shaft-main drive, power unit DRIVE SHAFT ASSEMBLY
48	GW-9617	1	S	Seal-oil, drive shaft, rear DRIVE SHAFT ASSEMBLY
49	GW-9517	1	S	Retaining Ring-(snap ring), internal DRIVE SHAFT ASSEMBLY
50	715-0121	2	/P	Pin-roll (spirol), 1/4 x 2" PINION SHAFT ASSEMBLY
51	GW-1060A	2	/P	Plug-retaining, pinion bearing PINION SHAFT ASSEMBLY
52	GW-9604	2	/P	O-Ring-retaining plug PINION SHAFT ASSEMBLY
53	GW-1132-1	A/R	/P	Shim-retaining plug, 1-1/64" inner dia., .033" thick (On right side only one GW-1132-1 shim is also used between bearing and washer, Ref. No.'s 54 & 55); PINION SHAFT ASSEMBLY
53	GW-1132-2	A/R	/P	Shim-same as GW-1132-1, .062" PINION SHAFT ASSEMBLY

Ref #	Part Number	Qty	S/P/F	Description
53	GW-1132-3	A/R	/P	Shim-same as GW-1132-1, .010" PINION SHAFT ASSEMBLY
54	GW-9404	2	/P	Bearing-ball, pinion shaft PINION SHAFT ASSEMBLY
55	GW-1126	2	/P	Washer-pinion shaft PINION SHAFT ASSEMBLY
56	GW-1222	1	/P	Stem Pinion-slow speed gear & shaft PINION SHAFT ASSEMBLY
57	GW-9502	1	/P	Ring-retaining, external PINION SHAFT ASSEMBLY
58	GW-2656	1	/P	Worm Gear-bronze, wheel drive PINION SHAFT ASSEMBLY
59	GW-9300	1	/P	Key-3/16" x 5/8" PINION SHAFT ASSEMBLY
60	GW-1233	1	/P	Gear-fast speed pinion PINION SHAFT ASSEMBLY
61	GW-9621	2	S	Seal-oil, wheel shaft WHEEL SHAFT ASSEMBLY
62	1909950	2	S	Retaining ring-external WHEEL SHAFT ASSEMBLY
63	GW-1166-1	A/R	S	Shim-wheel shaft, 1-1/64" inner dia., .062" thick WHEEL SHAFT ASSEMBLY
63	GW-1166-2	A/R	/P	Shim-as above, .030" thick WHEEL SHAFT ASSEMBLY
63	GW-1166-3	A/R	/P	Shim-as above, .015" thick WHEEL SHAFT ASSEMBLY
63	GW-1166-4	A/R	S	Shim-as above, .010" thick WHEEL SHAFT ASSEMBLY
63	GW-1166-5	A/R	S	Shim-same as above, .005" thick WHEEL SHAFT ASSEMBLY
64	GW-1086	2	S	Bushing-bronze, wheel shaft bearing WHEEL SHAFT ASSEMBLY
65	GW-1878	1	/P	Shaft-wheel, 15-5/8" WHEEL SHAFT ASSEMBLY
66	GW-9357	1	S	Key-Hi Pro, 1/4" x 1-3/4" WHEEL SHAFT ASSEMBLY
67	GW-1223	1	/P	Gear-slow speed, wheel drive WHEEL SHAFT ASSEMBLY
68	GW-1232	1	/P	Gear-fast speed, wheel drive WHEEL SHAFT ASSEMBLY
69	GW-1237	1	/P	Dog Clutch-wheel drive WHEEL SHAFT ASSEMBLY
70	GW-1112	3	/P	Pin-clutch guide, 1/4" diameter WHEEL SHAFT ASSEMBLY

Ref #	Part Number	Qty	S/P/F	Description
71	1911372	1	/P	Pin-roll, 3/16" x 1-1/4" (spirol) ECCENTRIC SHAFT ASSEMBLY
72	1900880010	1	S	Lever-eccentric, wheel speed shifting ECCENTRIC SHAFT ASSEMBLY
73	GW-9622	1	S	Seal-oil, eccentric shaft ECCENTRIC SHAFT ASSEMBLY
74	GW-1442	1	S	Pin-eccentric shaft, wheel speed shifting ECCENTRIC SHAFT ASSEMBLY
75	GW-2712	1	S	Eccentric Shaft-wheel speed shifting ECCENTRIC SHAFT ASSEMBLY
76	GW-1441	1	/P	Spring-eccentric shaft ECCENTRIC SHAFT ASSEMBLY
78	GW-2260	1	S	Housing-power unit transmission (Empty housing without covers, shafts, gears, seals, etc.) TRANSMISSION HOUSING
79	GW-9359	1	/P	Pin-alignment TRANSMISSION HOUSING
80	1100067	2	/P	Bolt-hex hd., 1/2-13 x 2" Grade 5 MISCELLANEOUS PARTS
81	GW-9928	2	/P	Washer-disc spring (concave), domed side faces bolt head MISCELLANEOUS PARTS
82	GW-2126	2		Post-with threaded hole for Ref. No. 80 MISCELLANEOUS PARTS
83	1105620	2	/P	Plug-pipe, 1/4" MISCELLANEOUS PARTS
84	GW-9122	1	/P	Plug-red plastic, thread protector. MISCELLANEOUS PARTS
85	GW-9205	1	/P	Clip-forward interlock system plug connector (see page 47) MISCELLANEOUS PARTS
86	777I20944	1	/P	Decal-forward interlock wire harness MISCELLANEOUS PARTS
	618-04004	1	S	Transmission-power unit (Does NOT include Ref. 35-39. Does NOT include Shift Lever and Bracket Assemblies, Ref. 3, 4, 10, 15, 85, 86, etc.); TRANSMISSION ASSEMBLY



NOTE 1: THESE SCREWS HAVE A SPECIAL SEALING DESIGN THAT CAN NOT BE REUSED WITHOUT RISKING THE LOSS OF TRANSMISSION OIL. IF THESE SCREWS ARE LOOSENED OR REMOVED, THEY MUST BE REPLACED WITH NEW HARDWARE.

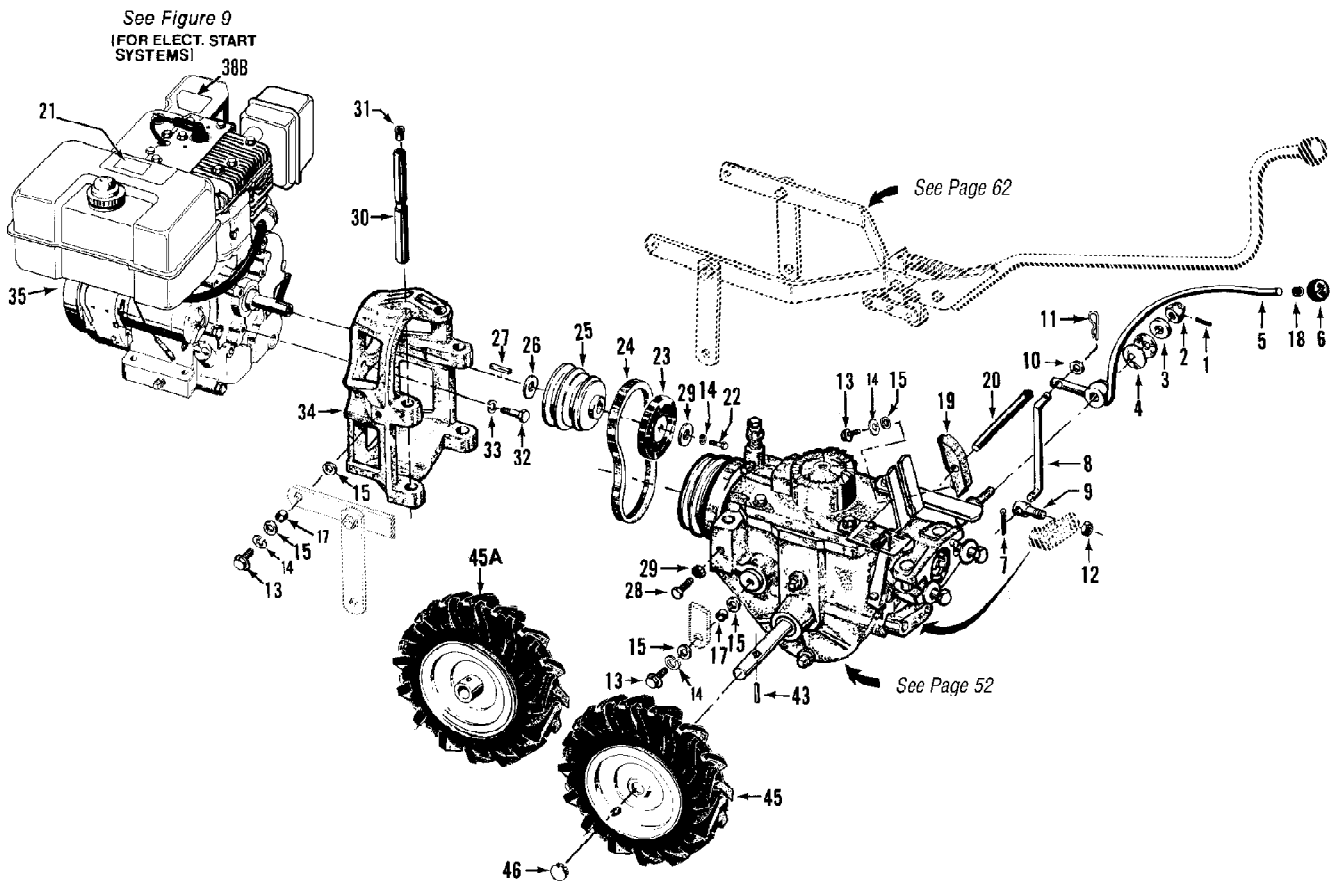
Ref #	Part Number	Qty	S/P/F	Description
1	1915068	5	/P	Screw-self-sealing, 1/4"-20 x 5/8"
2	GW-20873	1	/P	Cover-tiller housing
3	GW-1129-1	A/R	S	Gasket-tiller housing cover, .010" thick
3	GW-1129-2	A/R	S	Gasket-same as above, .030" thick
4	1901972	1	S	Shaft-tiller tine
5	741-3037	2	S	Ball Bearing
6	1901976	1	/P	Worm Gear-bronze, tiller tine shaft
7	GW-1104	1	/P	Key-tiller tine shaft, woodruff key
8	GW-97073	2	S	Seal-oil, tiller tine shaft
9	716-0101	2	S	Retaining Ring-external TILLER DRIVE SHAFT ASSEMBLY
10	1909138	1	S	Dog Clutch-tiller drive shaft TILLER DRIVE SHAFT ASSEMBLY
11	GW-9301	1	S	Key-3/16" x 1" TILLER DRIVE SHAFT ASSEMBLY
12	GW-2127	1	/P	Spring-dog clutch TILLER DRIVE SHAFT ASSEMBLY
13	GW-1138-1	1	S	Shim-dog clutch, 1/16"(.62") thick TILLER DRIVE SHAFT ASSEMBLY
14	1915069	3	/P	Screw-self-sealing, 1/4"-20 x 7/8" TILLER DRIVE SHAFT ASSEMBLY
15	GW-1115	1	S	Cap-rear bearing TILLER DRIVE SHAFT ASSEMBLY
16	GW-1124-2	1	S	Gasket-rear bearing cap TILLER DRIVE SHAFT ASSEMBLY
17	GW-1224-1	A/R	S	Shim-front bearing cap, .010" thick TILLER DRIVE SHAFT ASSEMBLY
17	GW-1224-2	A/R	S	Shim-same as above, .030" thick TILLER DRIVE SHAFT ASSEMBLY
17	GW-1224-3	A/R	S	Shim-same as above, .005" thick TILLER DRIVE SHAFT ASSEMBLY
17	GW-1224-4	A/R	S	Shim-same as above, .062" thick TILLER DRIVE SHAFT ASSEMBLY
18	GW-1714	2	S/F	Bearing & Race (Incl. one bearing GW-9400 and one cup (race) GW-9401);
19	GW-2653	1	S	Shaft-main tiller drive TILLER DRIVE SHAFT ASSEMBLY
20	GW-9617	1	S	Seal-oil, drive shaft, front TILLER DRIVE SHAFT ASSEMBLY
21	GW-9517	1	S	Retaining Ring-internal TILLER DRIVE SHAFT ASSEMBLY
23	1902000	1	/P	Housing-tiller attachment (Empty housing without shafts, gears, seals, dipstick, etc.) TRANSMISSION HOUSING AND DIPSTICK

21A-682J063 8HP Roto-Tiller (2002)
Tiller Attachment Transmission Assemblies

Page 21 of 26

Ref #	Part Number	Qty	S/P/F	Description
24	1909157	1		Dipstick-oil, tiller attachment TRANSMISSION HOUSING AND DIPSTICK
	618-04003	1	S	Transmission-Tiller (Includes Ref. 1-24); TRANSMISSION ASSEMBLY

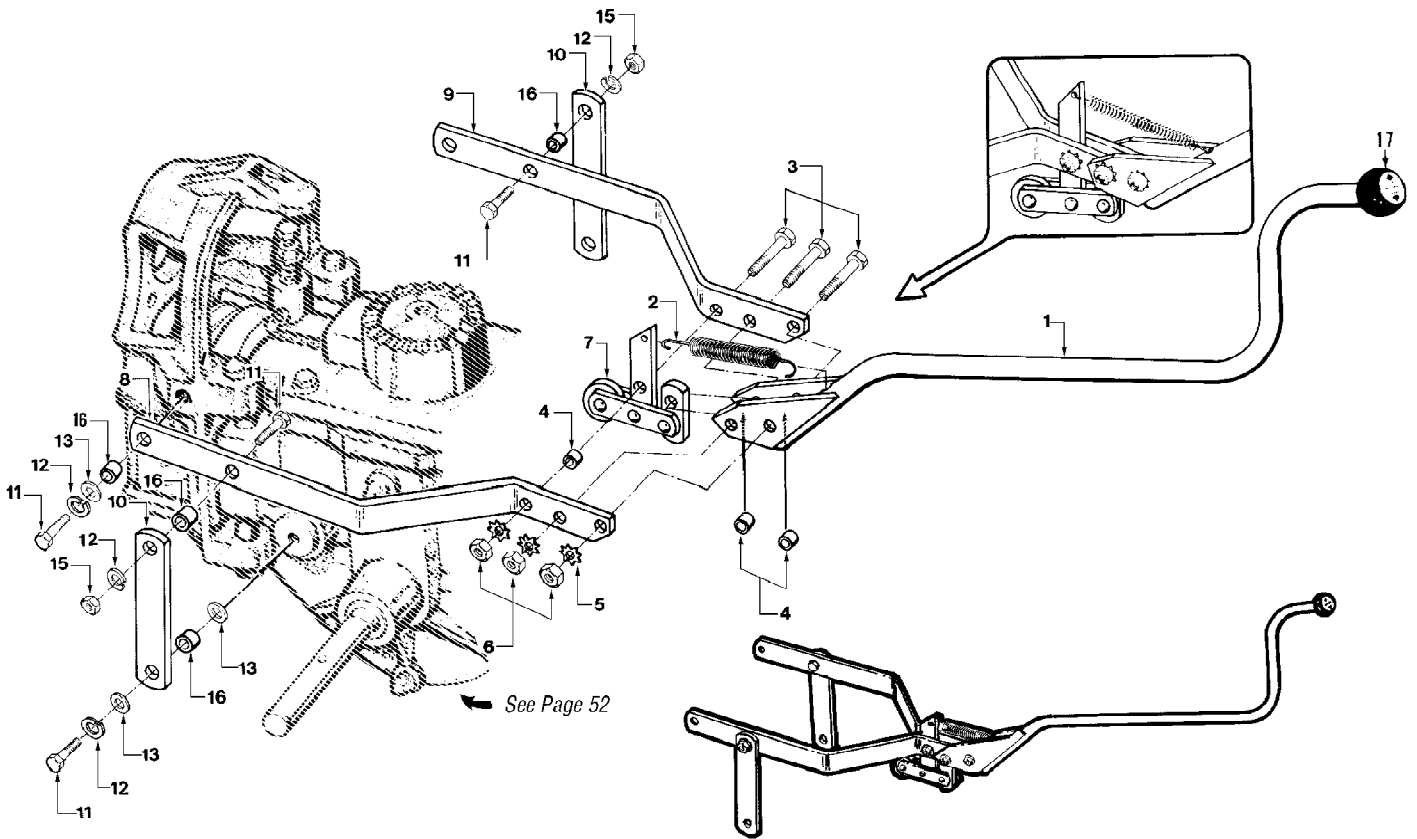
Wheel Speed Lever, Belt Drive System, Engines, Wheels



Ref #	Part Number	Qty	S/P/F	Description
1	GW-9362	1	/P	Pin-spring, 1/8" WHEEL SPEED LEVER
2	GW-9838	1		Nut-castle (slotted), 1/2"-20 WHEEL SPEED LEVER
3	GW-9934	1	/P	Washer-shoulder, 1/2" WHEEL SPEED LEVER
4	GW-9932	2	/P	Washer-disc spring WHEEL SPEED LEVER
5	GW-2628	1	/P	Lever-wheel speed shift WHEEL SPEED LEVER
6	1902240	1	/P	Knob-wheel speed shift lever WHEEL SPEED LEVER
7	GW-9317	1	/P	Pin-cotter, 3/32" x 1" WHEEL SPEED LEVER
8	GW-1231	1	/P	Rod-connecting rod, wheel speed shift lever WHEEL SPEED LEVER
9	GW-1033	1	/P	Swivel-connecting rod WHEEL SPEED LEVER
10	736-0275	1	S	Washer-flat, 5/16", S.A.E WHEEL SPEED LEVER
11	GW-9338	1	S	Pin-hair cotter. WHEEL SPEED LEVER
12	712-0158	1	S	Locknut-hex hd., 5/16"-18 WHEEL SPEED LEVER
13	710-0514	5	/P	Bolt-flanged hex hd., 3/8-16 x 1" WHEEL SPEED LEVER
14	736-0169	5	S	Lockwasher-spring lock, 3/8" WHEEL SPEED LEVER
15	736-3050	8	/P	Washer-flat, 3/8", S.A.E. WHEEL SPEED LEVER
17	GW-1113-1	4	S	Bushing-spacer, 19/64" (.300"lg.) WHEEL SPEED LEVER
18	GW-9120	1	/P	Ring-retaining (tolerance ring) WHEEL SPEED LEVER
19	GW-1920	1	/P	Block-belt adjustment, 3-7/8" BELT DRIVE SYSTEM
20	GW-2100	1	/P	Rod-belt adjust., 7" with measuring gauge BELT DRIVE SYSTEM
21	777I20942	1		Decal-engine stabilization BELT DRIVE SYSTEM
22	1100012	1	/P	Bolt-hex hd., 3/8-24 x 1-1/2" BELT DRIVE SYSTEM
23	GW-2111	1	S	Disc-reverse BELT DRIVE SYSTEM
24	GW-9245	1	/P	Belt-forward drive (no substitute due to extra strength required) BELT DRIVE SYSTEM

Ref #	Part Number	Qty	S/P/F	Description
25	GW-1483	1	S	Pulley-engine power take off BELT DRIVE SYSTEM
26	GW-1138-1	A/R	S	Shim-engine pulley, 1/16" BELT DRIVE SYSTEM
26	GW-1138-2	A/R	S	Shim-as above, 1/32" BELT DRIVE SYSTEM
27	GW-9303	1	/P	Key-engine pulley, 3/16"sq. x 2-1/2" BELT DRIVE SYSTEM
28	710-0376	2	/P	Bolt-hex hd., 5/16-18 x 1", Grade 5 ENGINES AND ENGINE MOUNT
29	712-0267	1	S	Nut, hex, 5/16-18 ENGINES AND ENGINE MOUNT
30	GW-1034A	2	/P	Bar-engine mounting ENGINES AND ENGINE MOUNT
31	GW-9147	2	/P	Plug-thread protector, red plastic ENGINES AND ENGINE MOUNT
32	GW-9572	4	S	Bolt-hex hd., 5/16-24 x 1-1/8" ENGINES AND ENGINE MOUNT
33	736-0119	4	S	Lockwasher-spring lock, 5/16" ENGINES AND ENGINE MOUNT
34	1916274001	1	S	Mount-engine to tiller ENGINES AND ENGINE MOUNT
35		1	F	Briggs & Stratton Engine-Recoil or electric start. (Electric start requires key switch starting system.) ENGINES AND ENGINE MOUNT
?36	736-3052	1	/P	Washer, flat, .406 x 1.0 x .105 ENGINES AND ENGINE MOUNT
38B	777S30647	1		Decal-hot surface warning (E682L) ENGINES AND ENGINE MOUNT
	777S30650	1		Decal-hot surface warning (682J) ENGINES AND ENGINE MOUNT
43	1915072	2	/P	Pin-roll, 5/16" x 1-1/2" WHEEL & TIRE ASSEMBLIES
45	1915056	1	/P/F	Wheel & Tire Assy-bar tread, left side, 4:80 x 8" tubeless tire with valve stem, on one-piece steel wheel WHEEL & TIRE ASSEMBLIES
45A	1915057	1	/P/F	Wheel & Tire Assy-bar tread, right side. Same as above but for right side of tiller WHEEL & TIRE ASSEMBLIES
46	1902020	2	/P	Cap-wheel hub WHEEL & TIRE ASSEMBLIES

21A-682J063 8HP Roto-Tiller (2002)
Wheels/Tines/PTO Drive Lever & Yoke Assembly



21A-682J063 8HP Roto-Tiller (2002)
Wheels/Tines/PTO Drive Lever & Yoke Assembly

Page 26 of 26

Ref #	Part Number	Qty	S/P/F	Description
1	647-04006	1	/P	Lever-Wheels/Tines/PTO Drive With Knob
2	1908156	1	/P	Spring-clutch pawl
3	710-0805	3	/P	Bolt-hex hd., 5/16-18 x 1-1/2"
4	GW-2447	3	/P	Bushing-3/8"
5	1177548	3	S	Lockwasher-external tooth, 5/16"
6	712-0267	3	S	Nut-hex, 5/16"-18
7	1916265001	1	S	Roller Assembly
8	1900468010	1	/P	Yoke-left side
9	1900469010	1	S	Yoke-right side
10	1900860010	2	S	Link-yoke pivot, left & right, 6-7/8" long
11	710-0514	6	/P	Bolt-hex hd., 3/8-16 x 1"
12	736-0169	6	S	Lockwasher-spring lock, 3/8"
13	736-3050	6	/P	Washer-flat, 3/8", S.A.E
15	712-0798	2	/P	Nut-hex, 3/8"-16.
16	GW-1113-1	6	S	Bushing-spacer, 19/64" (.300")
17	GW-2595	1	S	Knob