

LEGEND:
 △ = Sharp Edge
 L = Left Bolo Tine
 R = Right Bolo Tine

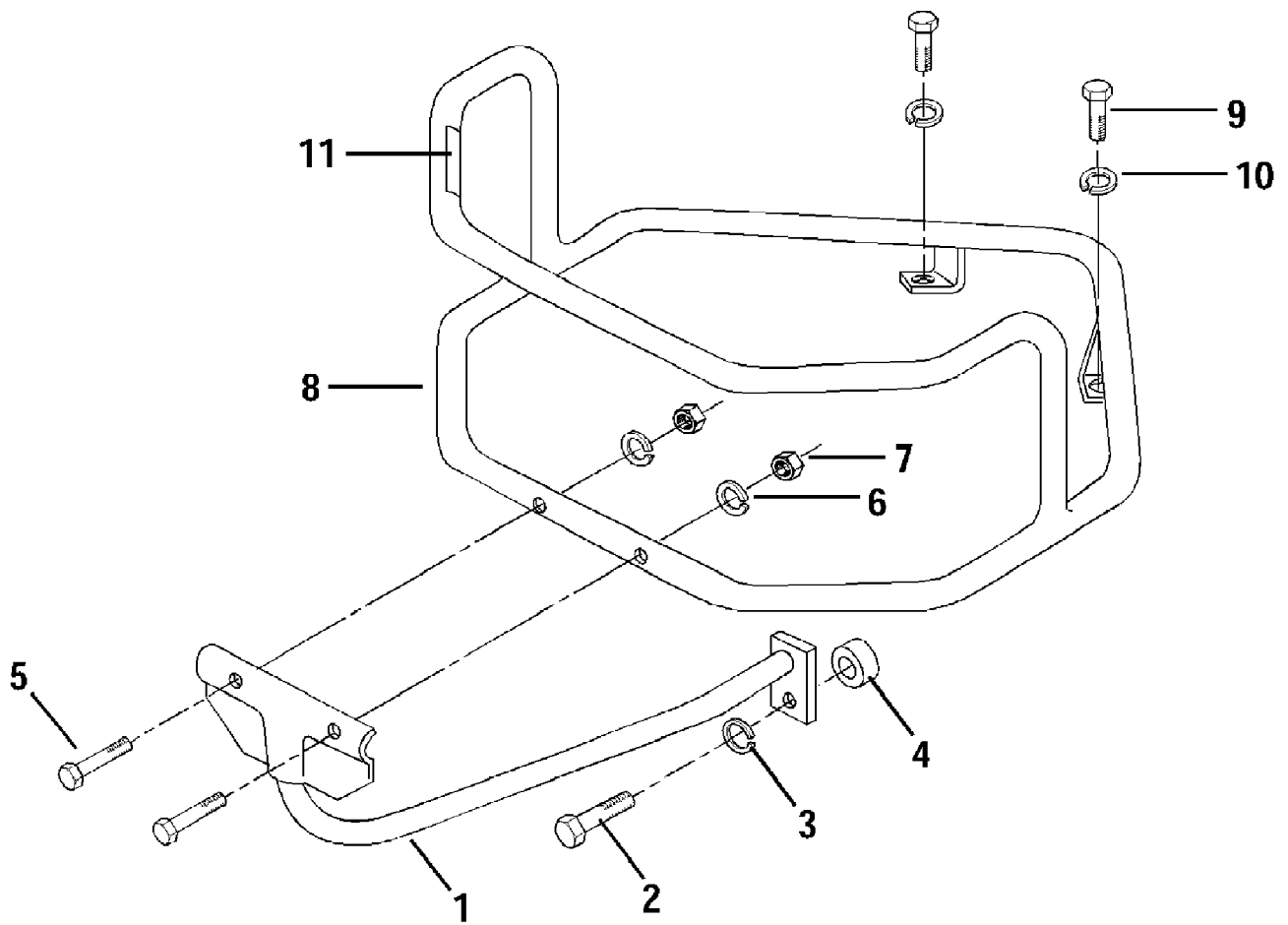
NOTE: Make sure Sharp Edge △ of tines faces FORWARD to enter soil first

LEFT HAND TINE RIGHT HAND TINE
 (As viewed with blunt edge facing you.)

12204 - 10HP Electric PTO Horse Tiller
Bolo Tine Assemblies

Page 2 of 23

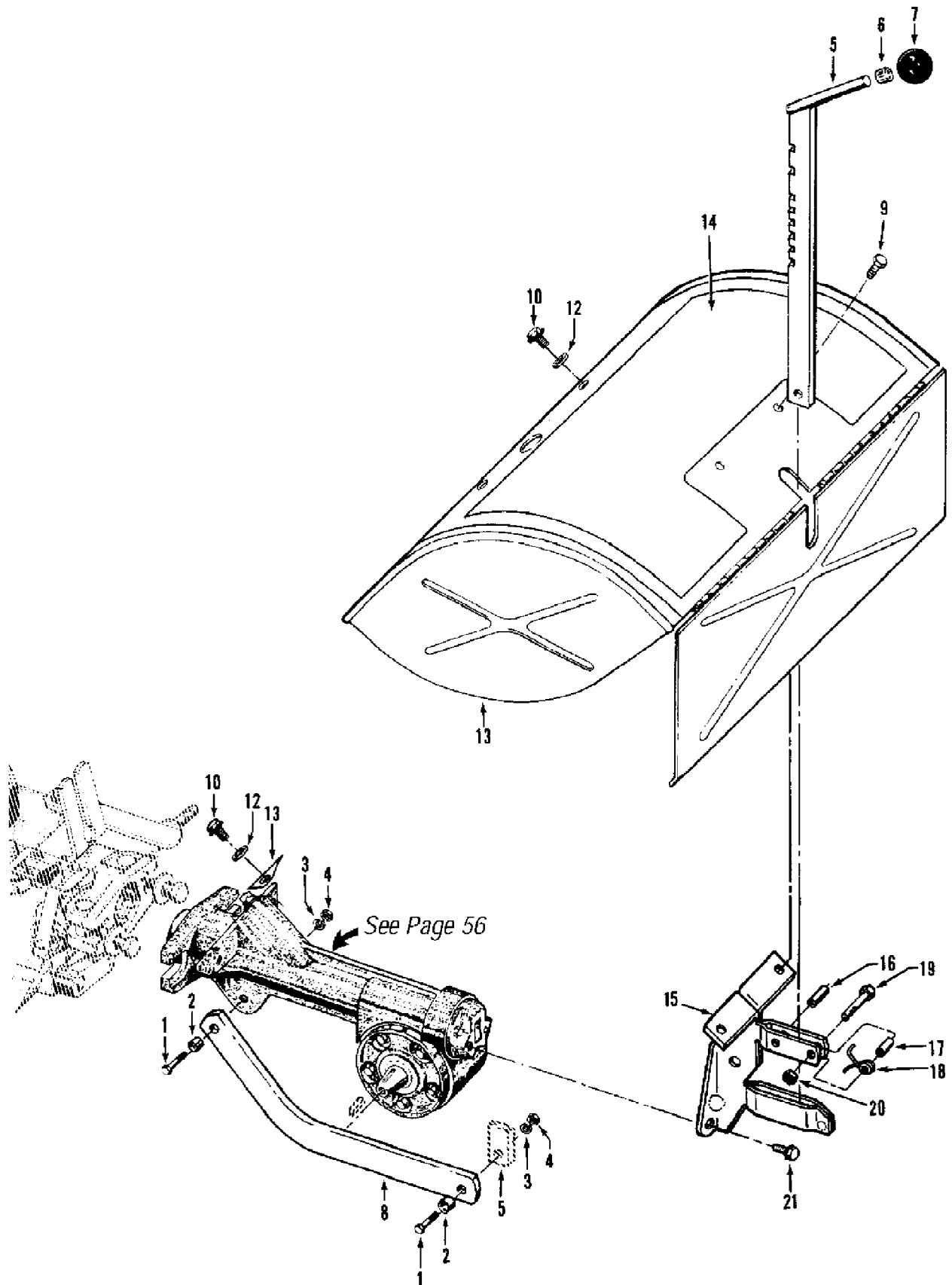
| Ref # | Part Number | Qty | S/P/F | Description |
|-------|-------------|-----|-------|--|
| 1 | 1901975001 | 2 | S | Tine Holder-welded steel, fits left or right sides |
| 2 | 1982612 | 4 | S | Bolt-hex hd., 3/8-16 x 2" |
| 3 | | 1 | | UNKNOWN |
| 6 | 1270-1A | 8 | S | Bolo Tine-single, left hand Used on left and right side tine assy. Tine is stamped either "EL" or "AL". ; (Incl. two each of Ref. No.'s 8 and 10) |
| 7 | 1270-2A | 8 | S | Bolo Tine-single, right hand Used on left and right side tine assy. Tine is stamped either "ER" or "AR".; Incl. same hardware as Ref. No. 6) |
| 8 | 1100046 | 16 | S | Bolt-hex hd., 3/8-16 x 1" |
| 10 | 1110108 | 20 | S | Locknut-hex, 3/8"-16 |
| | 1901118 | 1 | S/F | Tine Replacement Kit-unassembled (Incl. eight each of Ref. No.'s 6, and 7, sixteen each of Ref. No.'s 8 and 10). Includes easy-to-follow installation instruction. |
| | 10802 | 1 | S | Custom Tilling Tine Kit (Incl. eight each of Part #2475-1 and #2475-2 tines and sixteen each of Ref. No.'s 8 and 10 |
| | 2475-1 | 8 | S | Bolo Tine, Custom Tilling-single, left hand |
| | 2475-2 | 8 | S | Bolo Tine, Custom Tilling-single, right hand |



12204 - 10HP Electric PTO Horse Tiller
Bumper Attachment

Page 4 of 23

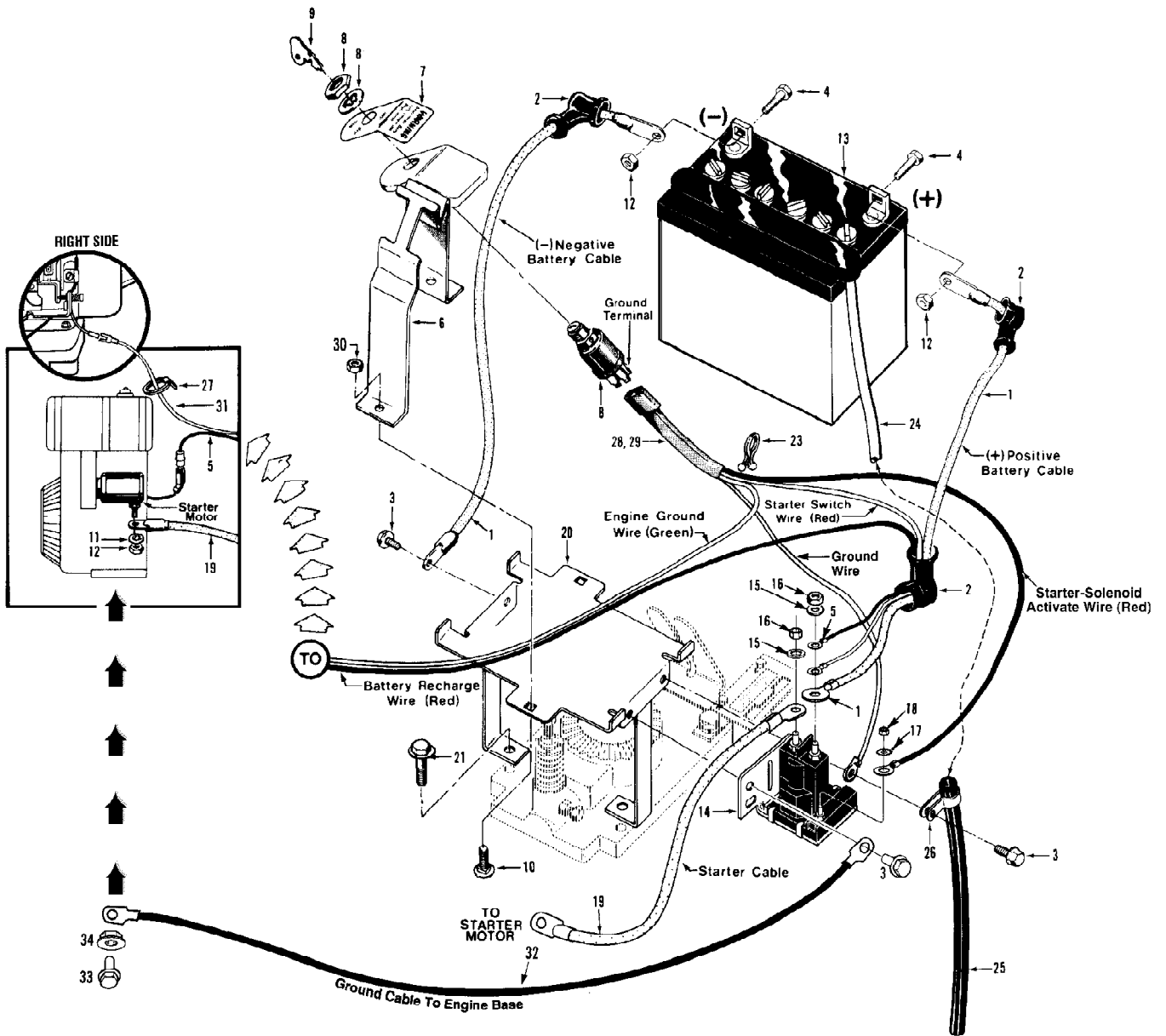
| Ref # | Part Number | Qty | S/P/F | Description |
|-------|-------------|-----|-------|---|
| | GW-12588 | 1 | | Bumper Attachment. Includes Ref. Nos. 1 through 11) |
| 1 | 1910730001 | 1 | /P | Brace - bumper bottom |
| 2 | 1909765 | 1 | S | Bolt - hex hd., 1/2-13 x 1-1/2" |
| 3 | 1100245 | 1 | S | Lockwasher - spring lock, 1/2" |
| 4 | 1909748 | 1 | /P | Spacer, 1/2" |
| 5 | 1100799 | 2 | S | Bolt - hex hd., 5/16-18 x 1-1/2" |
| 6 | 1100242 | 2 | S | Lockwasher - spring lock, 5/16" |
| 7 | 1186230 | 2 | S | Nut - hex, 5/16"-18 |
| 8 | 1910731001 | 1 | /P | Bumper wraparound |
| 9 | 1100046 | 2 | S | Bolt - hex hd., 3/8-16 x 1" |
| 10 | 1100243 | 2 | S | Lockwasher - spring lock, 3/8" |
| 11 | 1448 | 1 | S | Decal - for bumper |



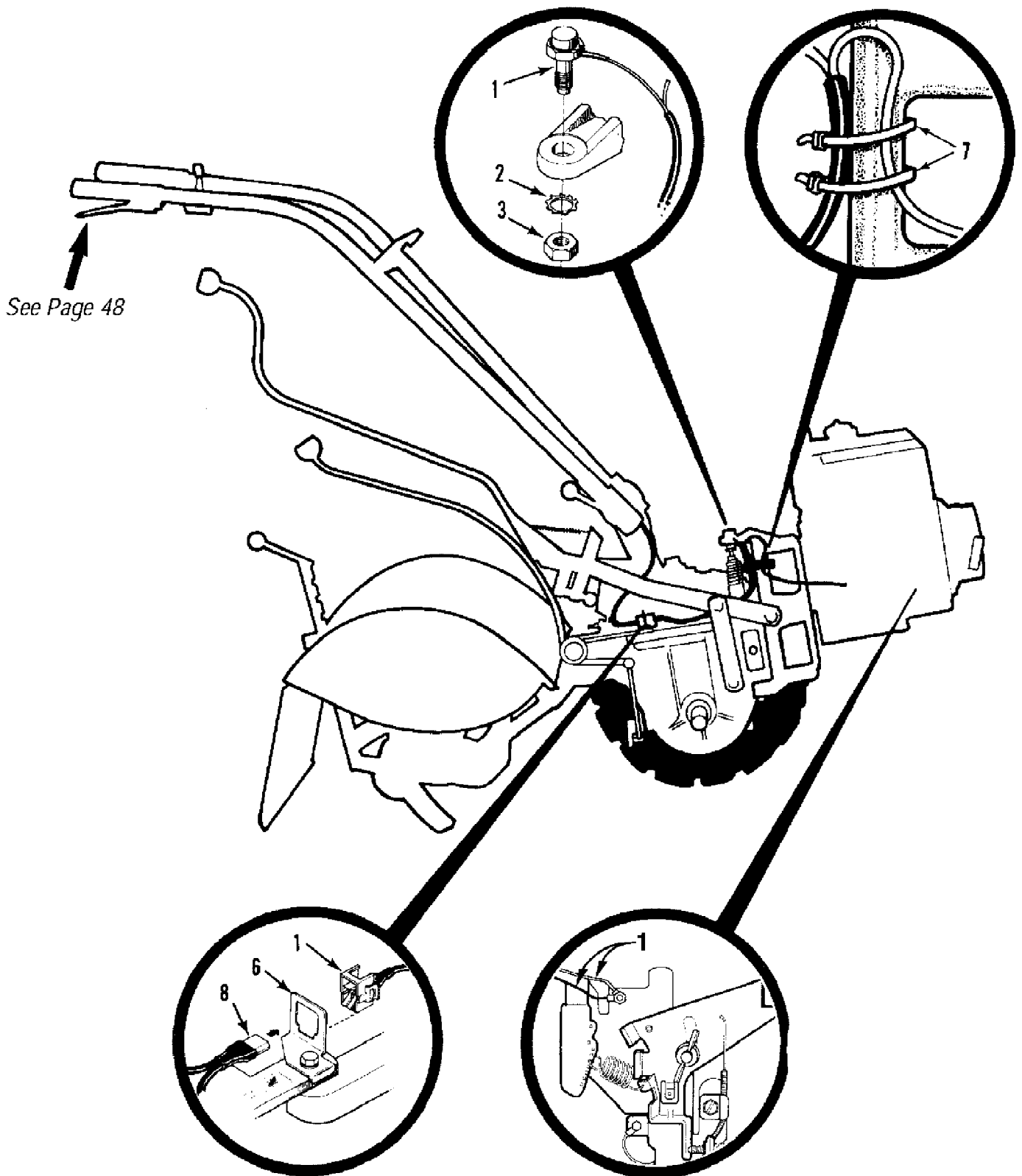
12204 - 10HP Electric PTO Horse Tiller
Depth Regulator & Tine Hood Assemblies

Page 6 of 23

| Ref # | Part Number | Qty | S/P/F | Description |
|-------|-------------|-----|-------|--|
| 1 | 1100043 | 2 | S | Bolt-hex hd., 3/8-16 x 1-1/4" |
| 2 | 1113-1 | 2 | S | Bushing-19/64" (.300" lg.) |
| 3 | 1100243 | 2 | S | Lockwasher-spring lock, 3/8" |
| 4 | 1186231 | 2 | S | Nut-hex, 3/8"-16 |
| 5 | 1117A | 1 | S | Bar-depth regulator (Incl. Ref. No.'s 6 and 7) |
| 6 | 9120 | 1 | S | Ring-retaining |
| 7 | 9119 | 1 | S | Knob-depth regulator (Incl. Ref. No. 6) |
| 8 | 1900867001 | 1 | /P | Bar-drag, depth regulator |
| 9 | 9552 | 2 | S | Screw-thread-forming, 1/4-20 x 1/2" |
| 10 | 1186329 | 2 | S | Bolt-flanged hex hd., 5/16-18 x 3/4" |
| 12 | 9929 | 2 | S | Washer-flat, 5/16" |
| 13 | 1904563 | 1 | /P | Hood (Incl. Ref. No. 14) |
| 14 | 1904543 | 1 | /P | Decal-hood, operating instructions |
| 15 | 2527 | 1 | S | Bracket (Incl. Ref. No. 16) |
| 16 | 9308 | 1 | S | Pin-roll (spirol) 1/4" x 1" |
| 17 | 9534 | 1 | S | Spacer |
| 18 | 9384 | 1 | S | Spring |
| 19 | 1100069 | 1 | S | Bolt-hex hd., 1/4-20x1" |
| 20 | GW-9811 | 1 | S | Locknut-1/4"-20 |
| 21 | 1186328 | 2 | S | Bolt-flanged hex hd., 5/16-18 x 5/8" |



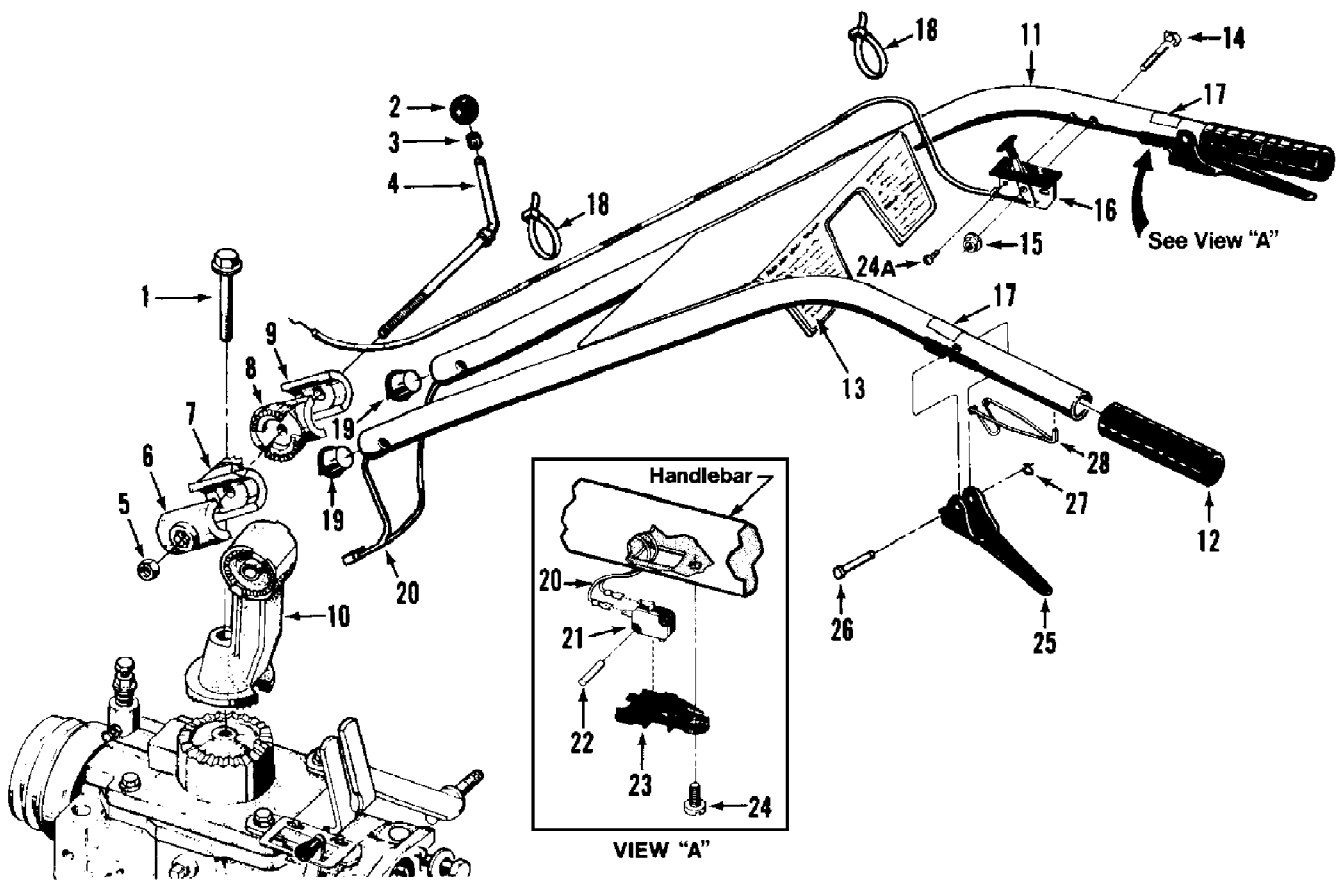
| Ref # | Part Number | Qty | S/P/F | Description |
|-------|-------------|-----|-------|---|
| 1 | 96515 | 2 | S | Cable-battery, positive and negative terminals |
| 2 | 97020 | 3 | S | Boot-terminal insulating |
| 3 | 9552 | 3 | S | Screw-self-threading, 1/4-20 x 1/2" |
| 4 | 1186309 | 2 | /P | Bolt-hex hd., 1/4-20 x 5/8" |
| 5 | 1901894 | 1 | /P | Wire-recharge (red) for Briggs and Stratton engine (Incl. terminal and eyelet) |
| 6 | 1904564 | 1 | S | Battery Hold-down Clamp-with attached Key Switch Plate (Incl. Ref. No. 7) |
| 7 | 1904548 | 1 | S | Decal-ignition switch instruc |
| 8 | 1908112 | 1 | S | Key Switch Includes two ignition keys (Ref. No. 9), one lockwasher, and one mounting nut (lock-washer and nut not available separately) |
| 9 | 96520 | 1 | S | Key-ignition, one pair |
| 10 | GW-9566 | 2 | S | Bolt-carriage, 1/4-20 x 1-1/4" |
| 11 | 1100241 | 2 | S | Lockwasher-spring lock, 1/4" |
| 12 | 1186229 | 4 | S | Nut-hex, 1/4"-20 |
| 13 | GW-9092B | 1 | S | Battery-12 volt, 30 amps., side-vented. (Incl. Ref. No. 24, 4, 12) |
| 14 | 96514 | 1 | S | Solenoid-starter Includes nuts and washers for cables and wires |
| 15 | 1100242 | 2 | S | Lockwasher-5/16" |
| 16 | 1186211 | 2 | /P | Nut-hex, 5/16"-24 |
| 17 | 1187559 | 1 | | Lockwasher-external tooth, #10 |
| 18 | 1186208 | 1 | /P | Nut-hex, #10-32 |
| 19 | 96510 | 1 | S | Cable-solenoid to starter motor |
| 20 | 2571 | 1 | S | Battery Bracket |
| 21 | 1186349 | 2 | /P | Bolt-flanged hex hd., 3/8-16 x 1-1/2" |
| 23 | 9265 | 1 | S | Tie-plastic, wire retaining |
| 24 | 9009 | 1 | S | Vent Tube-5/16" diameter |
| 25 | 1475 | 1 | | Shield-vent tube, 1/2" diameter |
| 26 | 9224 | 1 | | Clamp-vent tube shield |
| 27 | 9202 | 2 | S | Tie-plastic |
| 28 | 1908118 | 1 | S/F | Wire Harness & Connecting Terminal Assy-for Briggs & Stratton engines (Available as complete assembly only) |
| 29 | 1908117 | 1 | | Wire Harness-for Kohler engine. Incl. two receptacles; three red wires (solenoid activate, battery recharge, and starter switch); two green (ground)(shutoff) wires; plastic harness tube |
| 30 | 1186389 | 2 | /P | Locknut-hex, 1/4"-20 |
| 31 | | 1 | | UNKNOWN |
| 32 | 1901202 | 1 | /P | Cable-ground, solenoid to engine block |
| 33 | 1186331 | 1 | S | Bolt-flange lock, 5/16-18 x 1" |
| 34 | 1186391 | 1 | S | Nut-flange lock, 5/16"-18 |
| ?35 | 1917269 | 1 | | Ground Wire Assembly |



12204 - 10HP Electric PTO Horse Tiller
Forward Interlock System

Page 10 of 23

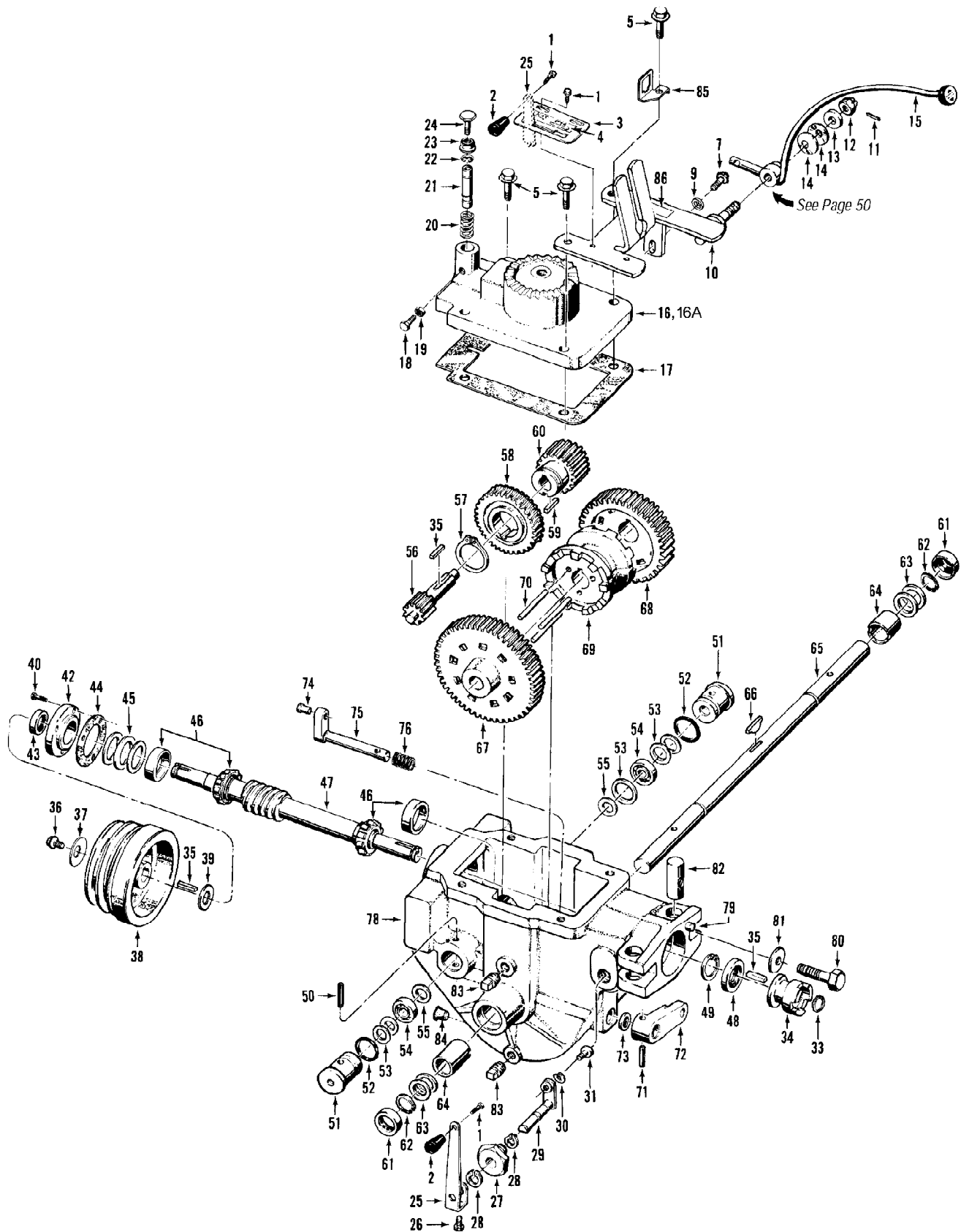
| Ref # | Part Number | Qty | S/P/F | Description |
|-------|-------------|-----|-------|---|
| 1 | 2552 | 1 | S | Engine Wire Harness Assy-forward interlock system (Incl. one red and one black wire, plug connector, neutral switch and PVC tubing. Parts not available separately) |
| 2 | 9971 | 1 | S | Lockwasher-external tooth, 7/16" |
| 3 | 1186246 | 1 | /P | Nut-hex, 7/16"-20 |
| 6 | 9205 | 1 | S | Clip-for plug connector |
| 7 | 9202 | 1 | S | Tie-plastic |
| 8 | 2551 | 1 | S | Handlebar Wire Harness Assy (See "Handlebar Assembly" Ref. No. 20 illustration and parts list) |



12204 - 10HP Electric PTO Horse Tiller
Handlebar Assembly

Page 12 of 23

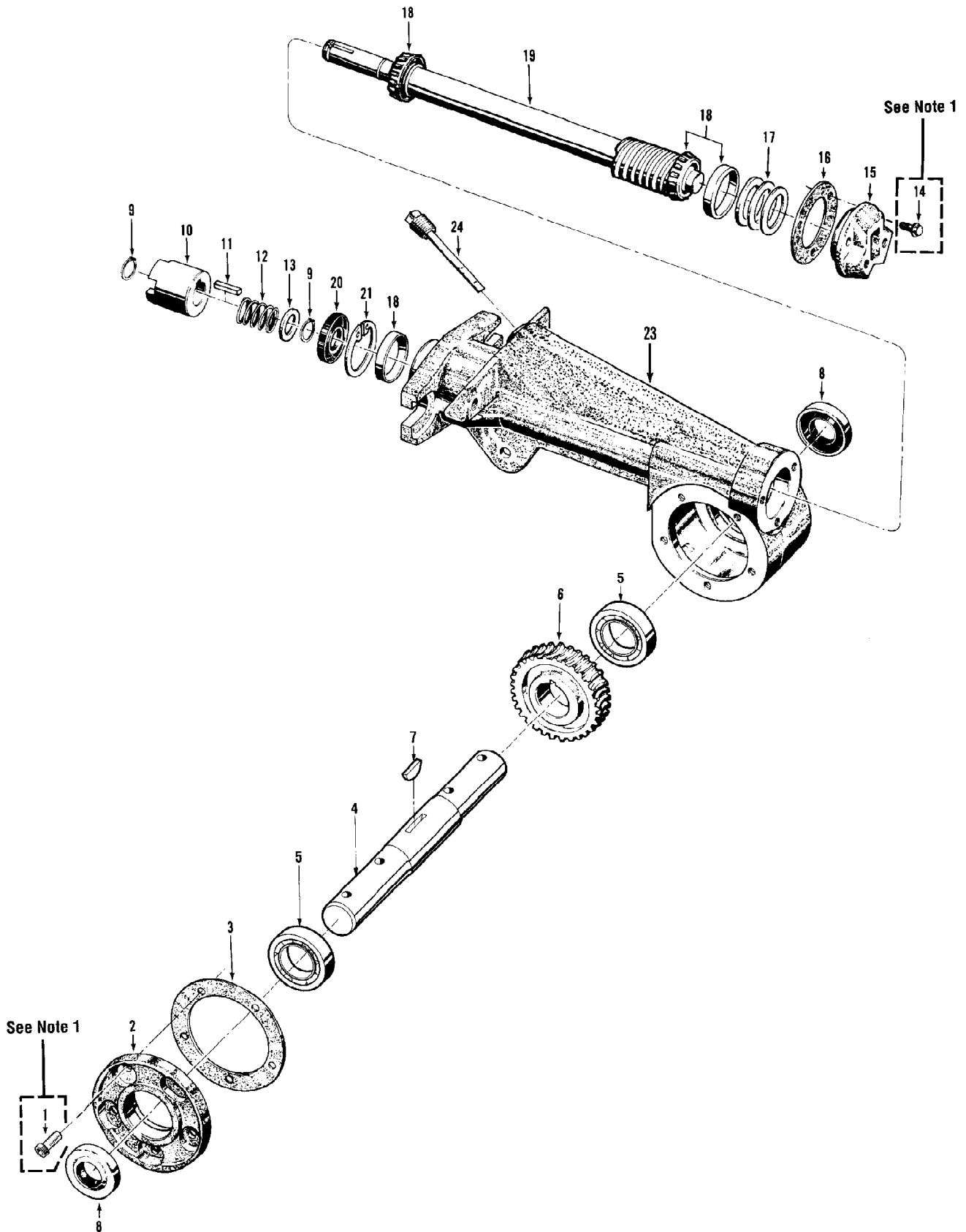
| Ref # | Part Number | Qty | S/P/F | Description |
|-------|---------------|-----|-------|--|
| 1 | 9548 | 1 | S | Bolt-Hex hd., flanged self-locking Grade 5, 1/2-13 x 3-1/2" |
| 2 | 9119 | 1 | S | Knob-handlebar height adjustment (Incl. Ref. No. 3) |
| 3 | 9120 | 1 | S | Ring-retaining (tolerance ring) |
| 4 | 1881 | 1 | S | Stud-handlebar height adjustment (Incl. Ref. No.'s 2, 3 and 5) |
| 5 | 1186233 | 1 | S | Nut-hex, 1/2"-13 |
| 6 | GW-1900854001 | 1 | | Clamp-left, handlebar height adjustment |
| 7 | 1900856001 | 1 | | Ratchet-left, handlebar height adjustment |
| 8 | 1900857001 | 1 | /P | Ratchet-right, handlebar height adjustment |
| 9 | 1900855001 | 1 | | Clamp-right, handlebar height adjustment |
| 10 | 1900858001 | 1 | S | Base-handlebar mounting |
| 11 | 2704 | 1 | S | Handlebars (Includes two of each Ref. Nos. 12, 17 and 28 and one Ref. No. 13) |
| 12 | 9125 | 2 | S | Grip-handlebars |
| 13 | 2715 | 1 | S | Decal-operator control panel |
| 14 | 9547 | 1 | S | Bolt-curved hd, GR5, 1/4-20 x 2" |
| 15 | 1186389 | 1 | /P | Nut-hex, flanged self-locking, whiz lock, 1/4"-20 |
| 16 | | 1 | | UNKNOWN |
| ?16A | 1909286 | 1 | S | Throttle Control & Cable-8HP Briggs & Stratton engine only (also see Ref. No. 24A) |
| ?16B | 9650 | 1 | | Throttle Control & Cable-8HP Kohler engine only |
| 17 | 1900763 | 2 | | Decal-Forward Interlock Lever |
| 18 | 9202 | 2 | S | Tie-plastic |
| 19 | 9219 | 2 | S | Plug-wire harness retainer |
| 20 | 2551 | 1 | S | Handlebar Wire Harness Assy-forward interlock system |
| 21 | 9250 | 2 | S | Handlebar Switch-forward interlock system |
| 22 | 9385 | 2 | S | Lock Pin-handlebar switch |
| 23 | 2543 | 2 | S | Switch Housing-handlebar switch |
| 24 | 1186009 | 2 | /P | Screw-pan head, 10-24 x 1/2", thread-forming |
| 24A | 9733 | 1 | S | Screw-phillips head, 10-32 x 1/2", thread-forming |
| 25 | 2546 | 2 | S | Lever-forward interlock |
| 26 | 9199 | 2 | S | Pivot Pin-forward interlock lever |
| 27 | 9514 | 2 | S | Retaining Ring-clip ring-forward interlock lever |
| 28 | 9387 | 2 | S | Return Spring-fwd interlock lever |



| Ref # | Part Number | Qty | S/P/F | Description |
|-------|-------------|-----|-------|---|
| 1 | 1186299 | 3 | S | Bolt-hex hd., #10-32 x 3/8", self-locking flange |
| 2 | 9463 | 1 | S | Knob-tines/PTO clutch lever, tapered, plastic |
| 3 | 2263 | 1 | S | Detent Plate-tines/PTO clutch lever (Incl. Ref. No. 4) |
| 4 | 1900758 | 1 | S | Decal-operating instructions, detent plate |
| 5 | 1186347 | 4 | S | Bolt-flanged hex hd., 3/8-16 x 1-1/2" |
| 7 | 1186329 | 1 | S | Bolt-flanged hex hd., 5/16-18 x 3/4", Grade 5 |
| 9 | 1107382 | 1 | /P | Washer-flat, 5/16", S.A.E. |
| 10 | 1900870001 | 1 | /P | Bracket-shift levers (Incl. Ref. No. 86) |
| 11 | 9362 | 1 | S | Pin-spring, 1/8" |
| 12 | 9838 | 1 | F | Nut-castle (slotted), 1/2"-20, |
| 13 | 9934 | 1 | S | Washer-shoulder, 1/2" |
| 14 | 9932 | 2 | S | Washer-disc spring |
| 15 | | 1 | | Lever-wheel speed shift (See "Wheel Speed Lever, Belt Drive System, Engines, Wheels", Ref. No. 5 for part number illustration and parts list) |
| 16 | 1900869001 | 1 | /P | Cover-power unit transmission |
| 16A | 2566 | 1 | S | Cover-power unit transmission (Incl. Ref. No.'s 18, 19, 20, 21, 22, 23 and 24) |
| 17 | 1123 | 1 | S | Gasket-transmission cover |
| 18 | 1100045 | 1 | S | Bolt-hex hd., 5/16-18 x 1", Grade 5, (Remove with care) |
| 19 | 1186230 | 1 | S | Nut-hex, 5/16"-18 |
| 20 | 1901439 | 1 | /P | Spring-neutral plunger (Remove with care) |
| 21 | 1035 | 1 | S | Plunger-neutral (Remove with care); (Incl. Ref. No. 22) |
| 22 | 1901440 | 1 | /P | Clip Ring-retains neutral plunger |
| 23 | 1186393 | 1 | /P | Nut-hex, flange locknut, 3/8"-16 |
| 24 | 1902004 | 1 | /P | Bolt-hex hd., 3/8-16x1-1/2", threaded full length |
| 25 | 1900878001 | 1 | S | Lever-eccentric, tines/PTO clutch. (Also see Ref. No.'s 1, 2, 3 and 4 listed above) |
| 26 | 1100804 | 1 | S | Bolt-hex hd., 1/4-20 x 1/2" |
| 27 | 2123 | 1 | S | Bushing-tines/PTO clutch lever eccentric shaft |
| 28 | 9516 | 2 | S | Retaining Ring-(snap ring), external |
| 29 | 2461 | 1 | S | Eccentric-shaft, tines/PTO clutch lever |
| 30 | 9911 | 1 | S | Lockwasher-hi-collar, 1/4" |
| 31 | 9672 | 1 | S | Screw-socket hd., 1/4-20 x 3/8" |
| 33 | 9500 | 1 | S | Retaining Ring-external |
| 34 | 1909139 | 1 | S | Dog Clutch-power unit |
| 35 | 9301 | 3 | S | Key-3/16 sq. x 1" |
| 36 | 1100004 | 1 | S | Bolt-hex hd., 5/16-24 x 3/4", self-locking flange, Grade 5 |
| 37 | 9944 | 1 | S | Washer-disc spring (concave) |
| 38 | 2107 | 1 | S | Pulley-transmission drive, cast iron |
| 39 | 50027 | 1 | S | Washer-flat, hardened shoulder 1-1/4" |
| 40 | 1186310 | 3 | /P | Bolt-hex hd., 1/4-20 x 3/4", front bearing cap |

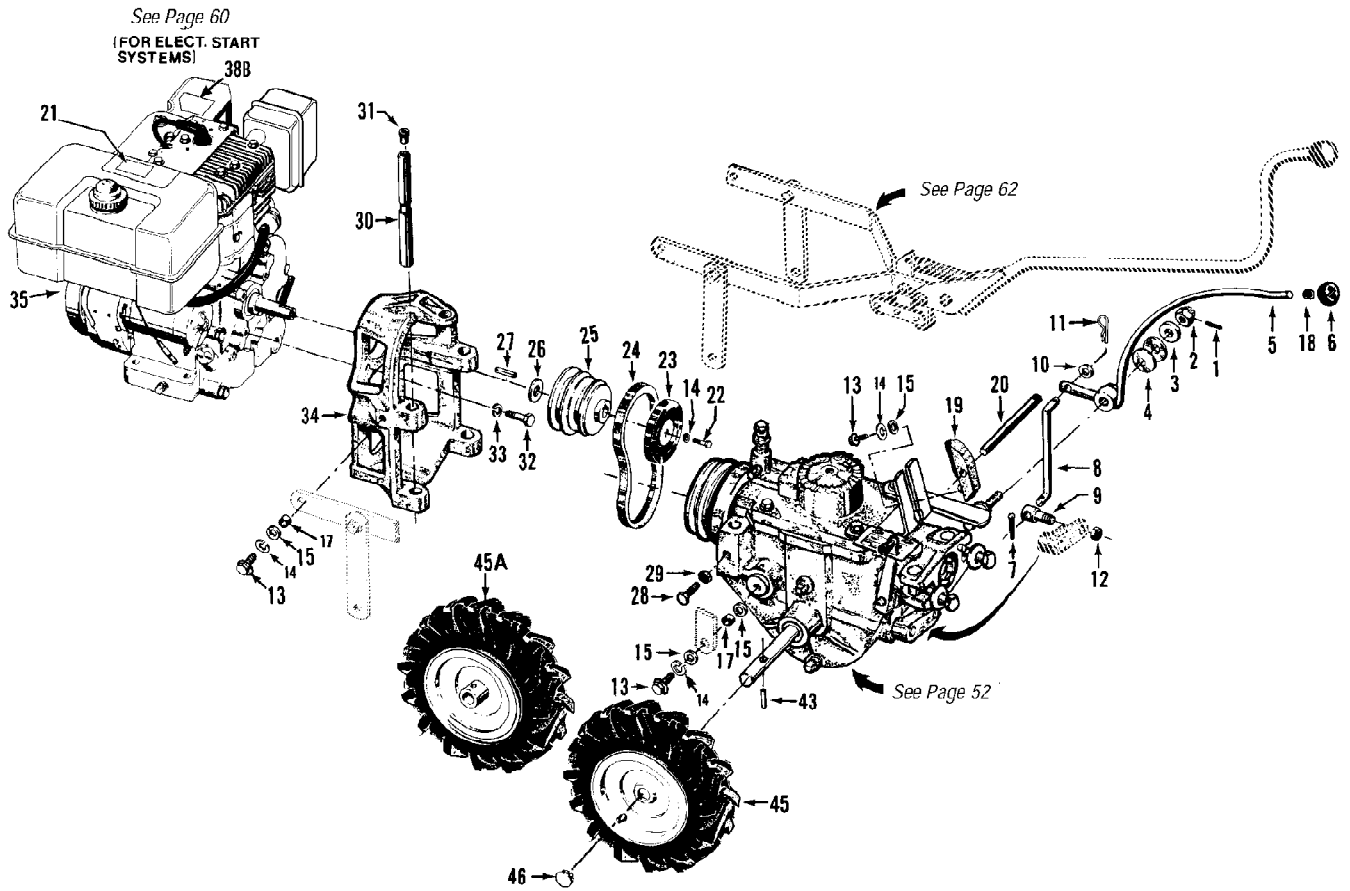
| Ref # | Part Number | Qty | S/P/F | Description |
|-------|---------------|-----|-------|--|
| 42 | GW-1900879001 | 1 | | Cap-front bearing |
| 43 | 1983632 | 1 | S | Seal-oil, front bearing cap |
| 44 | 1124-2 | 1 | S | Gasket-front bearing cap |
| 45 | 1224-1 | A/R | S | Shim-front bearing cap, .010" thick |
| 45 | 1224-2 | A/R | S | Shim-as above, .030" |
| 45 | 1224-3 | A/R | S | Shim-as above, .005" |
| 45 | 1224-4 | A/R | S | Shim-as above, .062" |
| 46 | 1714 | 2 | S | Bearing & Cup-tapered cone roller bearing with cup (race). Cone and cup sold as set only |
| 47 | 11601 | 1 | | Shaft-main drive, power unit. Incl. integral worm, plus two pressed-on cone roller bearings, two bearing cups and two shoulder washers |
| 48 | 9617 | 1 | S | Seal-oil, drive shaft, rear |
| 49 | 9517 | 1 | S | Retaining Ring-(snap ring), internal |
| 50 | 9309 | 2 | S | Pin-roll (spirol), 1/4 x 2" |
| 51 | 1060A | 2 | S | Plug-retaining, pinion bearing (Incl. Ref. No. 52) |
| 52 | 9604 | 2 | S | O-Ring-retaining plug |
| 53 | 1132-1 | A/R | S | Shim-retaining plug, 1-1/64" inner dia., .033" thick (On right side only one #1132-1 shim is also used between bearing and washer, Ref. No.'s 54 & 55) |
| 53 | 1132-2 | A/R | S | Shim-same as 1132-1, .062" |
| 53 | 1132-3 | A/R | S | Shim-same as 1132-1, .010" |
| 54 | 9404 | 2 | S | Bearing-ball, pinion shaft |
| 55 | 1126 | 2 | S | Washer-pinion shaft |
| 56 | 1222 | 1 | S | Stem Pinion-slow speed gear & shaft |
| 57 | 9502 | 1 | S | Ring-retaining, external |
| 58 | 2656 | 1 | S | Worm Gear-bronze, wheel drive |
| 59 | 9300 | 1 | S | Key-3/16" x 5/8" |
| 60 | 1233 | 1 | S | Gear-fast speed pinion |
| 61 | 9621 | 2 | S | Seal-oil, wheel shaft |
| 62 | 9511 | 2 | S | Retaining ring-external |
| 63 | 1166-1 | A/R | S | Shim-wheel shaft, 1-1/64" inner dia., .062" thick |
| 63 | 1166-2 | A/R | S | Shim-as above, .030" thick |
| 63 | 1166-3 | A/R | S | Shim-as above, .015" thick |
| 63 | 1166-4 | A/R | S | Shim-as above, .010" thick |
| 63 | 1166-5 | A/R | S | Shim-same as above, .005" thick |
| 64 | 1086 | 2 | S | Bushing-bronze, wheel shaft bearing |
| 65 | 1878 | 1 | S | Shaft-wheel, 15-5/8", (Incl. two of Ref. No. 62 and one Ref. No. 66) |
| 66 | 9357 | 1 | S | Key-Hi Pro, 1/4" x 1-3/4" |
| 67 | 1223 | 1 | S | Gear-slow speed, wheel drive |
| 68 | 1232 | 1 | S | Gear-fast speed, wheel drive |
| 69 | 1237 | 1 | S | Dog Clutch-wheel drive |
| 70 | 1112 | 3 | S | Pin-clutch guide, 1/4" diameter |
| 71 | 9307 | 1 | S | Pin-roll, 3/16" x 1-1/4" (spirol) |

| Ref # | Part Number | Qty | S/P/F | Description |
|-------|-------------|-----|-------|--|
| 72 | 1900880001 | 1 | S | Lever-eccentric, wheel speed shifting |
| 73 | 9622 | 1 | S | Seal-oil, eccentric shaft |
| 74 | 1442 | 1 | S | Pin-eccentric shaft, wheel speed shifting |
| 75 | 2712 | 1 | S | Eccentric Shaft-wheel speed shifting |
| 76 | 1441 | 1 | S | Spring-eccentric shaft |
| 78 | 2260 | 1 | S | Housing-power unit transmission (Incl. Ref. No. 79). Empty housing without covers, shafts, gears, seals, etc. (Call Factory before ordering) |
| 79 | 9359 | 1 | S | Pin-alignment |
| 80 | GW-9560 | 2 | S | Bolt-hex hd., 1/2-13 x 2" Grade 5 |
| 81 | 9928 | 2 | S | Washer-disc spring (concave), Domed side faces bolt head |
| 82 | 2126 | 2 | | Post-with threaded hole For Ref. No. 80 |
| 83 | 1105620 | 2 | /P | Plug-pipe, 1/4" |
| 84 | 9122 | 1 | S | Plug-red plastic, thread protector |
| 85 | 9205 | 1 | S | Clip-forward interlock system plug connector (See "Forward Interlock System" illustration and parts list) |
| 86 | 1900759 | 1 | S | Decal-forward interlock wire harness |



| Ref # | Part Number | Qty | S/P/F | Description |
|-------|-------------|-----|-------|--|
| 1 | 1915087 | A/R | /P | Screw Kit Includes five (5) 1/4"-20 x 5/8" self-sealing screws |
| 2 | 20873 | 1 | S | Cover-tiller housing |
| 3 | 1129-1 | A/R | S | Gasket-tiller housing cover, .010" thick |
| 3 | 1129-2 | A/R | S | Gasket-same as above, .030" thick |
| 4 | 1901972 | 1 | S | Shaft-tiller tine |
| 5 | 97074 | 2 | S | Ball Bearing |
| 6 | 1901976 | 1 | /P | Worm Gear-bronze, tiller tine shaft |
| 7 | 1104 | 1 | S | Key-tiller tine shaft, woodruff key |
| 8 | 97073 | 2 | S | Seal-oil, tiller tine shaft |
| 9 | 9500 | 2 | S | Retaining Ring-external |
| 10 | 1909138 | 1 | S | Dog Clutch-tiller drive shaft |
| 11 | 9301 | 1 | S | Key-3/16" x 1" |
| 12 | 2127 | 1 | S | Spring-dog clutch |
| 13 | 1138-1 | 1 | S | Shim-dog clutch, 1/16" (.62") thick |
| 14 | 1915089 | A/R | /P | Screw Kit Includes three (3) 1/4"-20 x 7/8" self-sealing screws |
| 15 | 1900881001 | 1 | S | Cap-rear bearing |
| 16 | 1124-2 | 1 | S | Gasket-rear bearing cap |
| 17 | 1224-1 | A/R | S | Shim-front bearing cap, .010" thick |
| 17 | 1224-2 | A/R | S | Shim-same as above, .030" thick |
| 17 | 1224-3 | A/R | S | Shim-same as above, .005" thick |
| 17 | 1224-4 | A/R | S | Shim-same as above, .062" thick |
| 18 | 1714 | 2 | S | Bearing & Cup-sold as set only |
| 19 | 11602 | 1 | S/F | Shaft-main tiller drive (Incl. an integral worm gear) |
| 20 | 9617 | 1 | S | Seal-oil, drive shaft, front |
| 21 | 9517 | 1 | S | Retaining Ring-internal |
| 23 | 1902000 | 1 | /P/F | Housing-tiller attachment (Incl. pressed-on sleeve in front of housing). |
| 24 | 1909157 | 1 | | Dipstick-oil, tiller attachment |

12204 - 10HP Electric PTO Horse Tiller
Wheel Speed Lever, Belt Drive System, Engines, Wheels



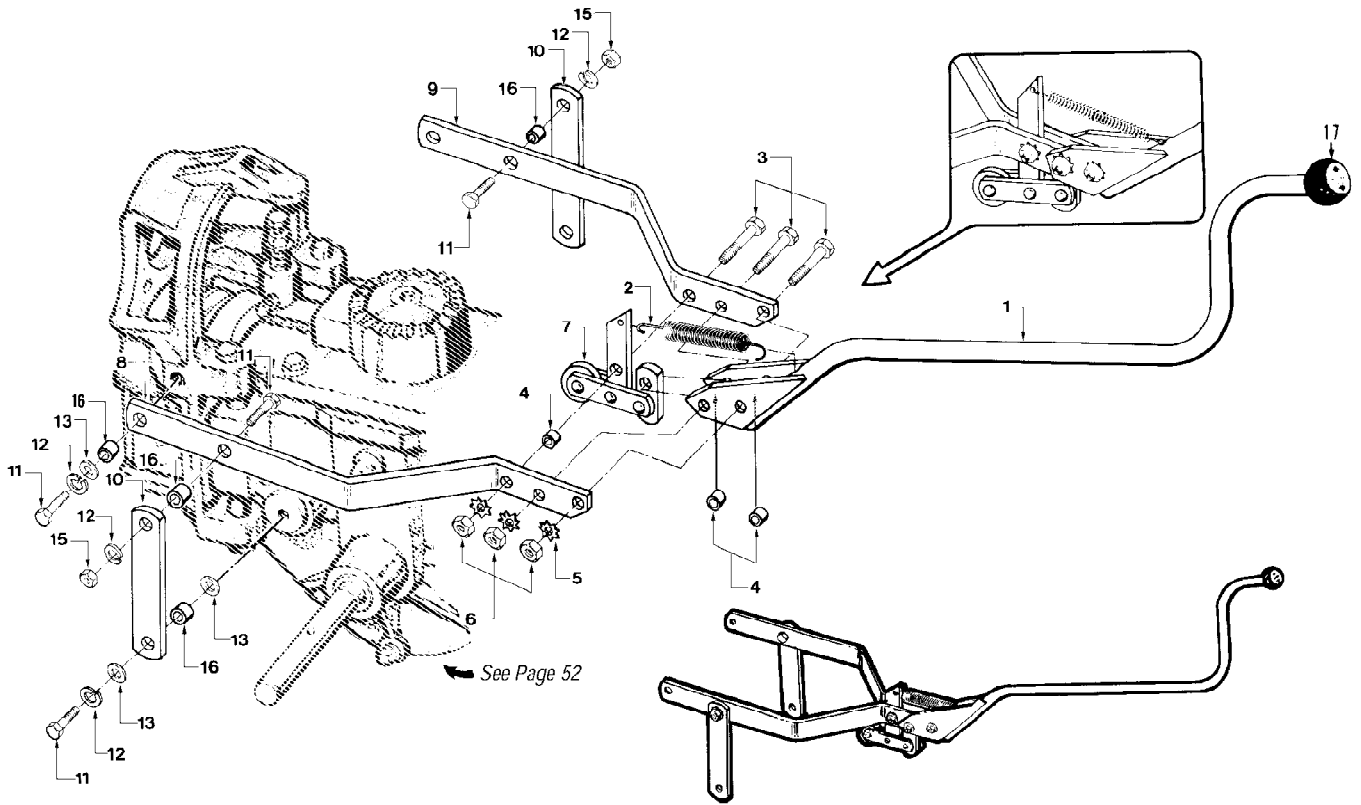
| Ref # | Part Number | Qty | S/P/F | Description |
|-------|-------------|-----|-------|---|
| 1 | 9362 | 1 | S | Pin-spring, 1/8" |
| 2 | 9838 | 1 | | Nut-castle (slotted), 1/2"-20 |
| 3 | 9934 | 1 | S | Washer-shoulder, 1/2" |
| 4 | 9932 | 2 | S | Washer-disc spring |
| 5 | 2628 | 1 | S | Lever-wheel speed shift (Incl. Ref No.'s 6 and 18) |
| 6 | 1902240 | 1 | /P | Knob-wheel speed shift lever |
| 7 | 9317 | 1 | S | Pin-cotter, 3/32" x 1" |
| 8 | 1231 | 1 | S | Rod-connecting rod, wheel speed shift lever |
| 9 | 1033 | 1 | S | Swivel-connecting rod |
| 10 | 1107382 | 1 | /P | Washer-flat, 5/16", S.A.E. |
| 11 | 9338 | 1 | S | Pin-hair cotter |
| 12 | 1110107 | 1 | S | Locknut-hex hd., 5/16"-18 |
| 13 | 1100046 | 5 | S | Bolt-flanged hex hd., 3/8-16 x 1" |
| 14 | 1100243 | 5 | S | Lockwasher-spring lock, 3/8" |
| 15 | 1107383 | 7 | S | Washer-flat, 3/8", S.A.E. |
| 17 | 1113-1 | 4 | S | Bushing-spacer, 19/64" (.300"lg.) |
| 18 | 9120 | 1 | S | Ring-retaining (tolerance ring) |
| 19 | 1920 | 1 | S | Block- belt adjustment, 3-7/8" (Incl. Ref. No.'s 13,15, and 20) |
| 20 | 2100 | 1 | S | Rod- belt adjust., 7" with measuring gauge |
| 21 | 1915810 | 1 | | Decal- engine stabilization For Briggs & Stratton engines |
| 22 | 1100011 | 1 | S | Bolt-hex hd., 3/8-24 x 1-1/2" |
| 23 | 1919 | 1 | S | Disc-reverse (Incl. Ref. No. 19) |
| 24 | 9245 | 1 | S | Belt-forward drive (No substitute due to extra strength required) |
| 25 | 1483 | 1 | S | Pulley-engine power take off |
| 26 | 1138-1 | A/R | S | Shim-engine pulley, 1/16" |
| 26 | 1138-2 | A/R | S | Shim-as above, 1/32" |
| 27 | 9303 | 1 | S | Key-engine pulley, 3/16"sq. x 2-1/2" |
| 28 | 1100045 | 2 | S | Bolt-hex hd., 5/16-18 x 1", Grade 5 |
| 29 | | 1 | | UNKNOWN |
| 30 | GW-1034 | 2 | S | Bar-engine mounting |
| 31 | 9147 | 2 | S | Plug-thread protector, red plastic |
| 32 | 9572 | 4 | S | Bolt-hex hd., 5/16-24 x 1-1/8" |
| 33 | 1100242 | 4 | S | Lockwasher-spring lock, 5/16" |
| 34 | 1916274001 | 1 | S | Mount- engine to tiller |
| 35 | | 1 | | 8HP Briggs & Stratton Engine-Recoil or electric start. (Electric start requires key switch starting system.); Contact an authorized engine dealer, Troy-Bilt dealer or the Factory for replacement engine information. Contact an authorized engine dealer for engine service or parts. Refer to the engine nameplate for engine model and type information |

12204 - 10HP Electric PTO Horse Tiller
 Wheel Speed Lever, Belt Drive System, Engines, Wheels

Page 21 of 23

| Ref # | Part Number | Qty | S/P/F | Description |
|-------|-------------|-----|-------|---|
| 35 | | 1 | | 10HP Briggs & Stratton Engine-Electric start (Has key switch starting system) ;Contact an authorized engine dealer, Troy-Bilt dealer or the Factory for replacement engine information. Contact an authorized engine dealer for engine service or parts. Refer to the engine nameplate for engine model and type information. |
| 38B | 1904565 | 1 | | Decal-hot surface safety warning |
| 43 | 9322 | 2 | S | Pin- roll, 5/16" x 1-1/2" |
| 45 | 2709-01 | 1 | S/F | Wheel & Tire Assy-bar tread, left side, 4:80 x 8" tubeless tire With valve stem, on one-piece steel wheel |
| 45A | 2709-02 | 1 | S/F | Wheel & Tire Assy-bar tread, right side. Same as above but for right side of tiller |
| 46 | 1902020 | 2 | /P | Cap-wheel hub |

12204 - 10HP Electric PTO Horse Tiller
Wheels/Tines/PTO Drive Lever & Yoke Assembly



12204 - 10HP Electric PTO Horse Tiller
Wheels/Tines/PTO Drive Lever & Yoke Assembly

Page 23 of 23

| Ref # | Part Number | Qty | S/P/F | Description |
|-------|-------------|-----|-------|---|
| 1 | 2574 | 1 | S | Lever-Wheels/Tines/PTO Drive (Incl. knob w/decal) |
| 2 | 1908156 | 1 | /P | Spring-clutch pawl |
| 3 | 1100799 | 3 | S | Bolt-hex hd., 5/16-18 x 1-1/2" |
| 4 | 2447 | 3 | S | Bushing-3/8" |
| 5 | 1177548 | 3 | S | Lockwasher-external tooth, 5/16" |
| 6 | 1186230 | 3 | S | Nut-hex, 5/16"-18 |
| 7 | 1916265001 | 1 | S | Roller Assembly |
| 8 | 1900468001 | 1 | S | Yoke-left side |
| 9 | 1900469001 | 1 | /P | Yoke-right side |
| 10 | 1900860001 | 2 | /P | Link-Yoke pivot, left & Right 6-7/8" long |
| 11 | 1100046 | 6 | S | Bolt-hex hd., 3/8-16 x 1" |
| 12 | 1100243 | 6 | S | Lockwasher-spring lock, 3/8" |
| 13 | 1107383 | 6 | S | Washer-flat, 3/8", S.A.E. |
| 15 | 1186231 | 2 | S | Nut-hex, 3/8"-16 |
| 16 | 1113-1 | 6 | S | Bushing-spacer, 19/64" (.300") |
| 17 | | 1 | | Knob-not avail. separately. See Ref No. 1 |