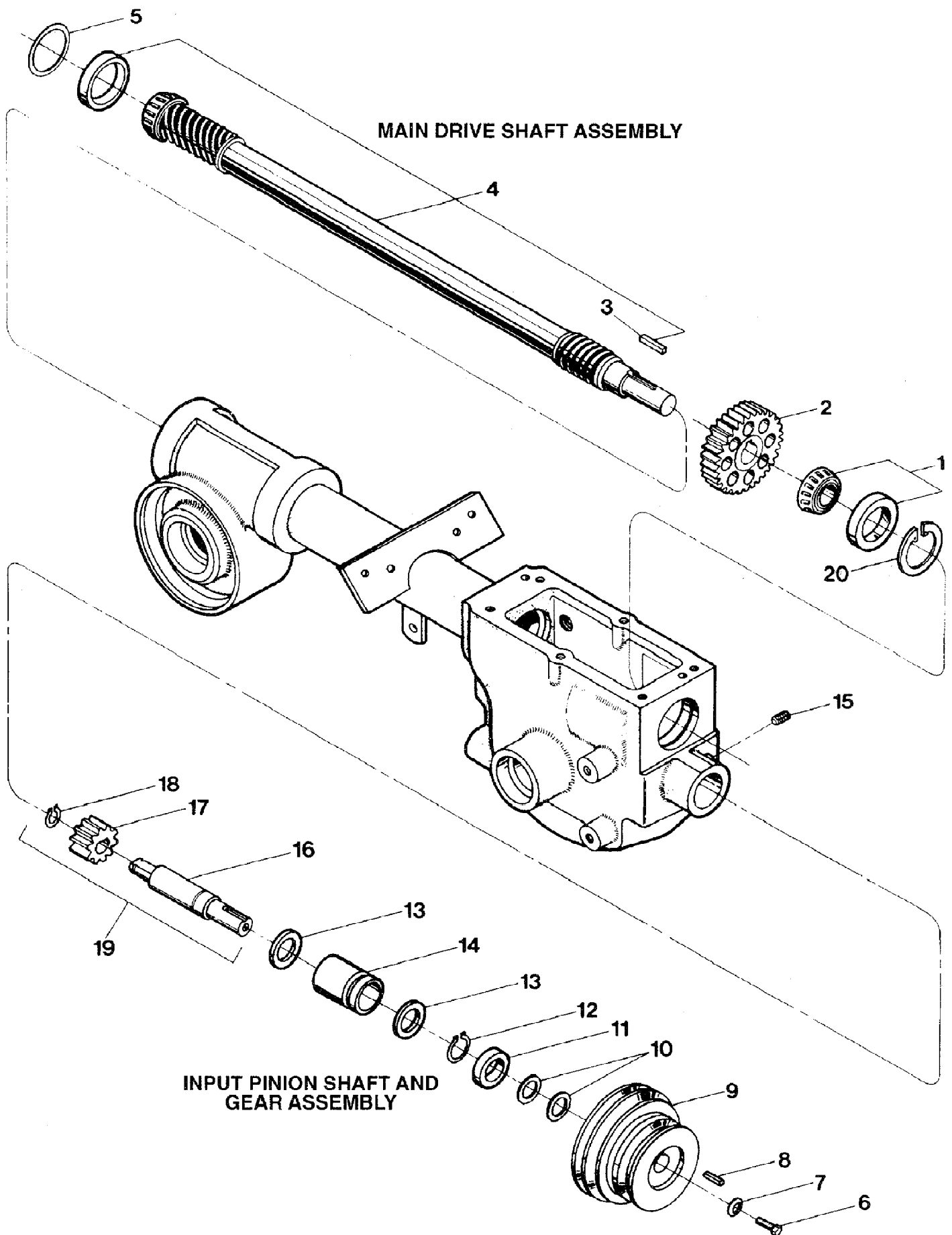


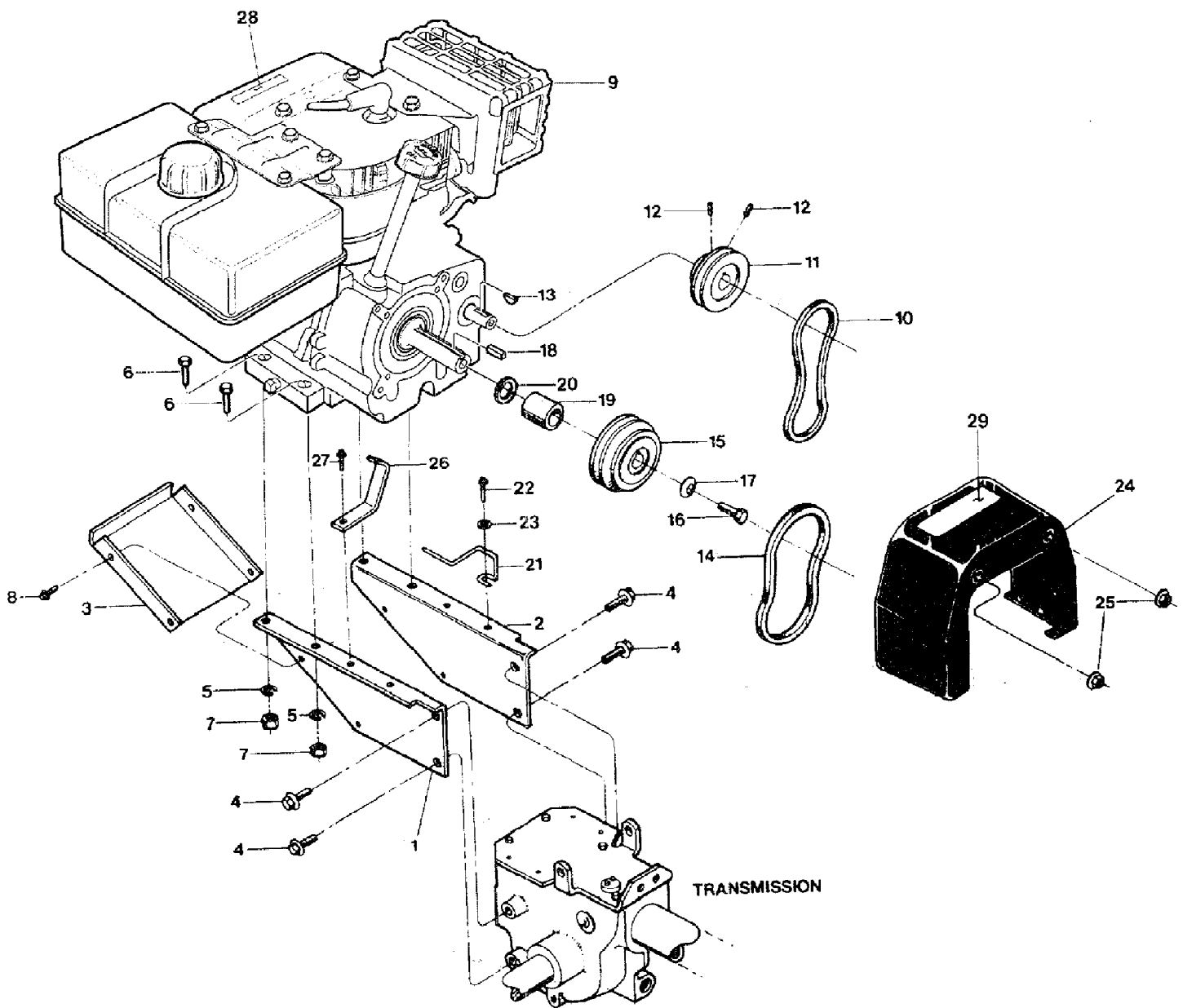
12194 Horse-OPC 8HP ROTOTILLER (S/N 121941100101-121941199999) Page 2 of 21
Bumper Assembly

Ref #	Part Number	Qty	S/P/F	Description
1	1916714001	1	/P	Bumper-top section
2	1904758001	1	S	Bumper-bottom section
3	1731025	2	/P	Bolt-curved head, 5/16-18 x 2 (special bolt); Also see #1915811 hardware kit
4	1111608	4		Bolt-hex hd., 5/16-18 x 2-1/2, Not avail. separately (order #1915811 hardware kit
5	1100242	6	S	Lockwasher-5/16, Not avail. separately (order #1915811 hardware kit
6	1186230	6	S	Nut-hex, 5/16-18, Not avail. separately (order #1915811 hardware kit
	1915811	1	/P	Hardware Kit: Two #1731025 curved head bolts; four #1111608 hex hd. bolts; six #1100242 lock washers: six #1186230 hex nuts



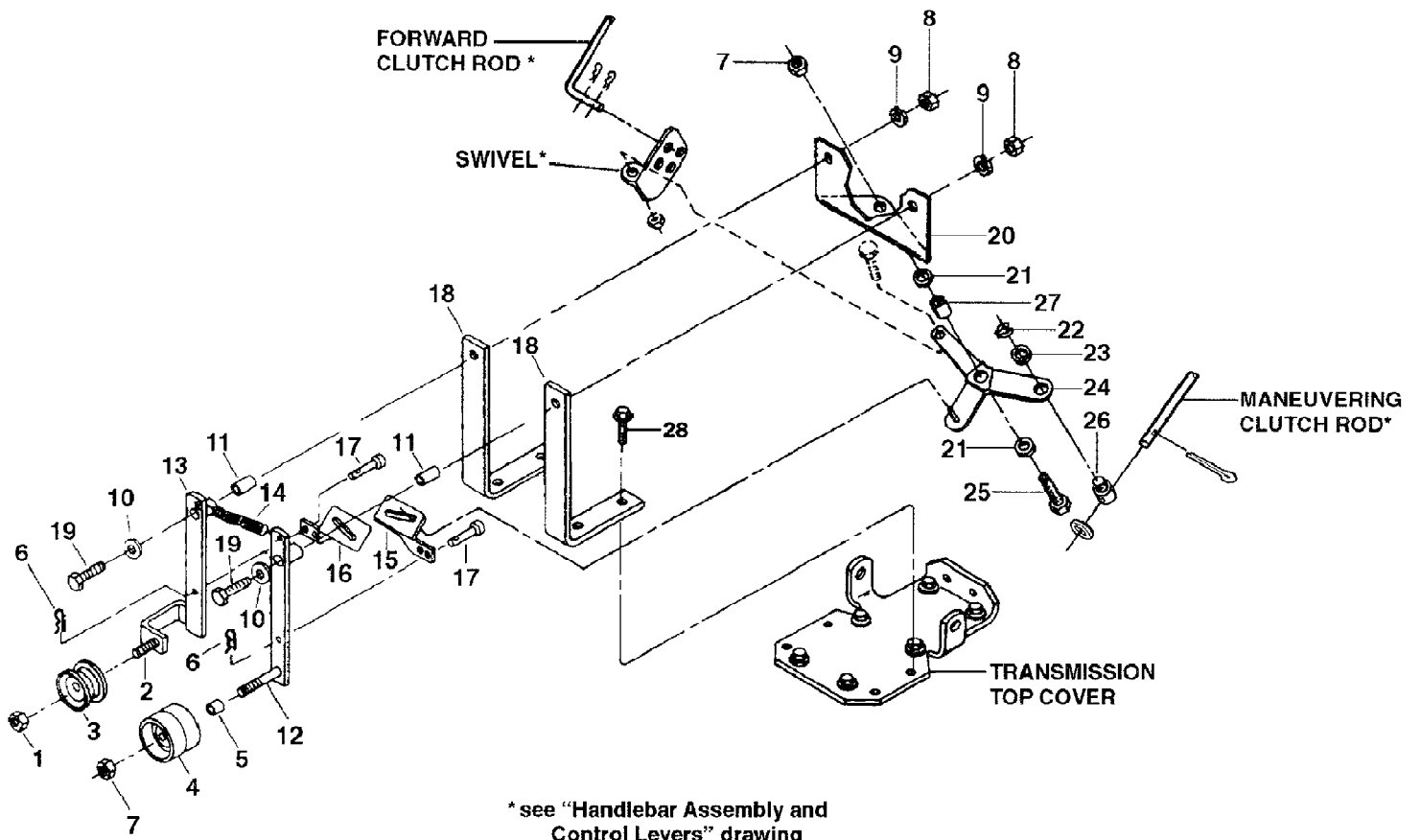
12194 Horse-OPC 8HP ROTOTILLER (S/N 121941100101-121941199999) Page 4 of 21
 Drive Shaft, Input Pinion Shaft And Gear Assemblies

Ref #	Part Number	Qty	S/P/F	Description
1	1714	1	S	Bearing-tapered roller with race
2	20718	1	S	Gear-spur, main drive shaft
3	9301	1	S	Key-3116 sq. x 1
4	1916765	1	/P/F	Drive Shaft
5	1224-1	A/R	S/F	Shim-rear bearing cap, .010 thick
5	1224-2	A/R	S/F	Shim-same as above, but .030 thick
5	1224-3	A/R	S/F	Shim-same as above, but .005 thick
	1325C	A/R	S	Shim Set Includes the following shims: two 1224-1; two 1224-2; one #1224-3
6	1100004	1	S/F	Screw-hex hd., 5/16-24 x 3/4
7	9944	1	S	Washer-disc spring (concave surface faces pulley)
8	9301	1	S	Key-3/16 sq. x 1
9	GW-20507	1		Pulley-transmission drive
10	1440	2	S	Washer-support
11	GW-85030	1	S	Oil Seal-input pinion shaft, front.
12	9500	1	S	Ring-retaining (snap ring), external
13	9953	2	S	Washer-thrust
14	9428	1	S	Bushing
15	9677	1	S/F	Set Screw-5/16-18 x 3/8
16	20791	1	S	Input Pinion-steel shaft
17	20792	1	S	Gear-input pinion
18	9093	1	S	Retainer-snap ring, external
19	20799	A/R	S	Pinion Assy (Incl. one each of Ref. No.'s 16, 17 and 18)
20	9517	1	S	Retainer-snap ring, internal
?21	94018	1	S	Washer-sheave shoulder



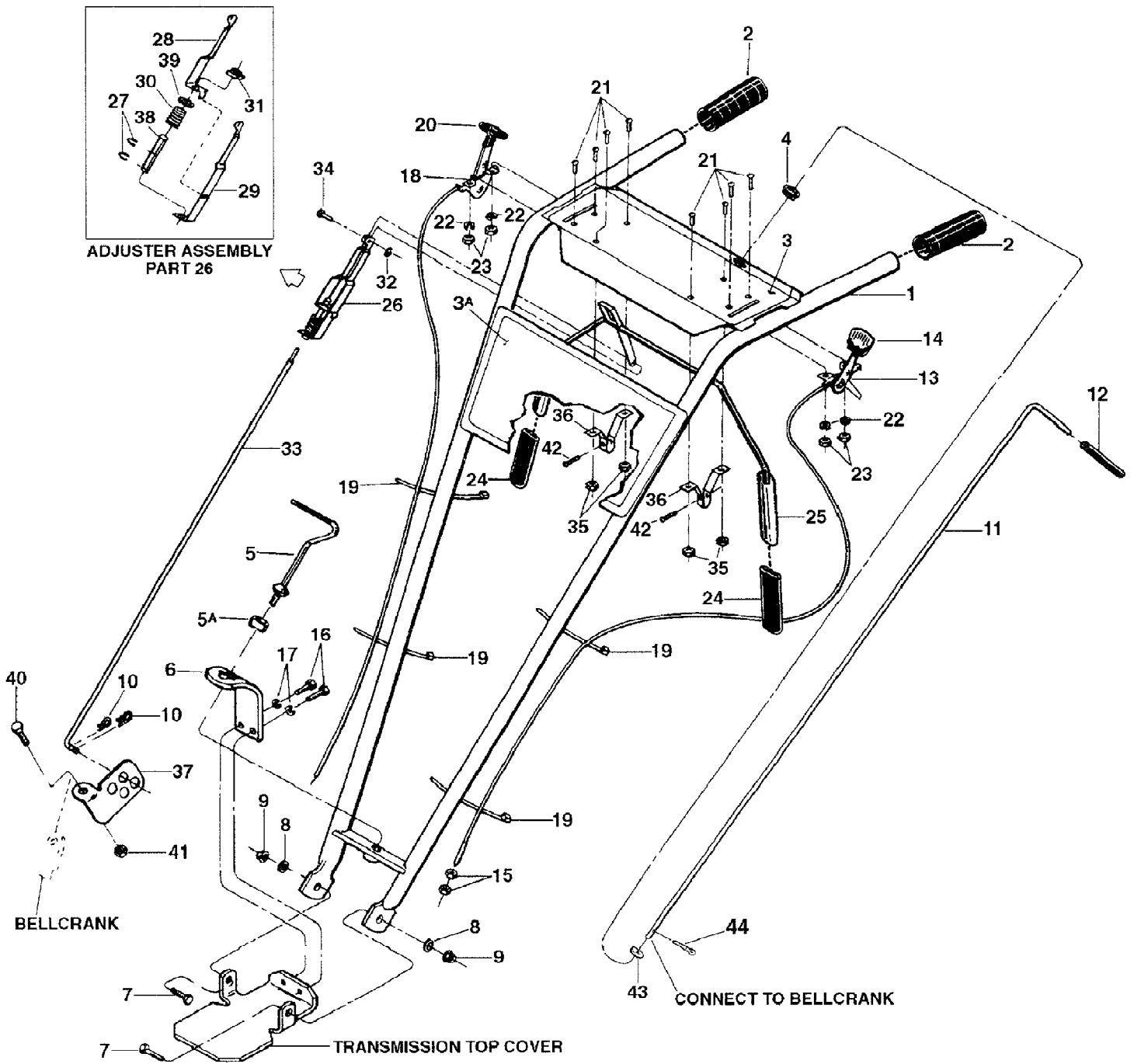
12194 Horse-OPC 8HP ROTOTILLER (S/N 121941100101-121941199999) Page 6 of 21
Engine, Support Brackets, Pulleys, Belts And Belt Cover

Ref #	Part Number	Qty	S/P/F	Description
1	1916604001	1		Support Bracket-engine, left side
2	1916602001	1		Support Bracket-engine, right side
3	1916189001	1	S	Support Bracket (Pan)-engine, front
4	GW-1186329	4	S	Screw-flanged hex hd., 5/16-18 x 3/4
5	1100242	4	S	Lockwasher-5/16
6	1100799	4	S/F	Screw-hex hd , 5/16-18 x 1-1/2
7	1186321	4		Nut-hex, 5/16-18
8	1900396	4	/P	Screw-hex hd., 10-32 x 1/2, self-tapping
9		1		Engine Contact the factory or an authorized dealer for replacement engine information. See an authorized engine service dealer for engine parts or service. Refer to engine nameplate for engine type and code.
10	GW-9022	1		Flat Belt-reverse drive
11	GW-2477	1		Reverse Pulley-engine driven, for flat belt (Ref No 10)
12	9561	2	S/F	Set Screw-Socket Head, 1/4-20 x 1/4
13	9361	1	S	Key-Woodruff (size #5)
14	1909404	1	/P	V-Belt-forward drive
15	GW-2476	1		Forward Pulley-engine drive, for V-Belt (Ref. No. 14)
16	1100004	1	S/F	Screw-hex hd., 5/16-24 x 3/4
17	9944	1	S	Washer-disc spring (concave surface faces forward pulley)
18	9301	1	S	Key-3/16 sq. x 1
19	GW-50141	1		Spacer
20	1138-2	A/R	S	Shim
21	1916190001	1		Belt Guide-forward drive belt
22	9573	1	S/F	Screw-hex hd., self-tapping, 1/4-20 x 3/4
23	GW-9900	1	S	Washer-plain (flat), 1/4, S.A.E.
24	1904569	1	S	Cover (Incl. Ref. No. 29)
25	1186391	2	S	Nut-5/16-18, locking, whiz-style
26	1916191001	1		Belt Guide-reverse drive belt
27	9552	1	S/F	Screw-flanged hex hd., self-tapping, 1/4-20 x 1/2
28	1900766	1		Decal-Stabilization
29	1904557	1		Decal-Hot surfaces/belt warning



12194 Horse-OPC 8HP ROTOTILLER (S/N 121941100101-121941199999) Page 8 of 21
 Forward / Reverse Idler Assembly

Ref #	Part Number	Qty	S/P/F	Description
1	1185506	1	S	Locknut-hex, 3/8-16
2	1110043	1	S/F	Screw-hex hd, 3/8-16 x 1-1/4
3	1909266	1	S	Pulley-idler, reverse tiller direction
4	GW-9193	1		Pulley-idler, forward tiller direction
5	1113-1	1	S	Spacer
6	9338	2	S	Hairpin Cotter
7	1110108	2	S	Locknut-hex, 3/8-16
8	1186230	2	S	Nut-hex, 5/16-18
9	1100242	2	S	Lockwasher-5/16
10	20545	2	S	Washer-plain, 5/16
11	9479	2	S	Pivot Bushing
12	1916192001	1	/P	Idler Arm-left, forward tiller direction
13	1909682001	1		Idler Arm-right, reverse tiller direction
14	1492	1	S	Spring
15	20517-01	1		Forward Link
16	20517-02	1		Reverse Link
17	9340	2		Pin
18	1916194001	2		Mounting Bar
19	1111607	2	S/F	Screw-hex hd., 5/16-18 x 2-1/4
20	1916195001	1		Shifting Base
21	20553	2	S	Spacer-Bushing
22	9532	1	S	Klip Ring
23	20546	1	S	Washer-pivot
24	1916196001	1	/P	Bellcrank
25	1100043	1	S/F	Screw-hex hd., 3/8-16 x 1-1/4
26	1916897	1	/P	Pivot-for Reverse Clutch lever
27	20532	1	S	Bushing-bellcrank
28	1186331	4	S	Screw-flanged hex hd., 5/16-18 x 1

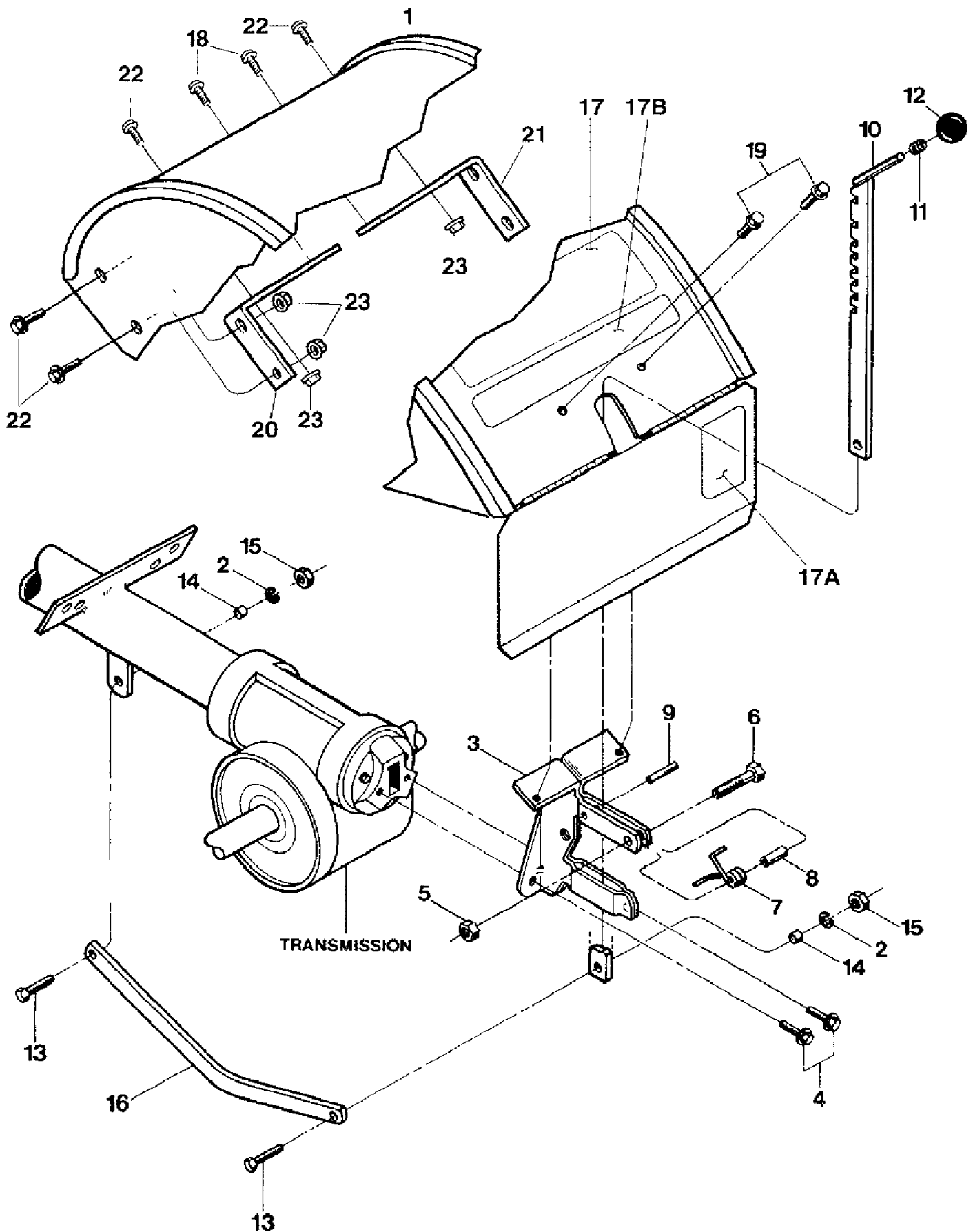


12194 Horse-OPC 8HP ROTOTILLER (S/N 121941100101-121941199999) Page 10 of 21
Handlebar Assembly And Control Levers

Ref #	Part Number	Qty	S/P/F	Description
1	1917117	1	/P	Handlebars (Incl. Ref. No.'s 2, 3, 3A and 4)
2	9126	2	S	Grip-handlebars
3	1916927	1		Decal-for operator control panel
3A	GW-1916926	1		Decal- Logo
4	9251	1		Grommet-plastic (part of operator control panel)
5	1186347	1	S	Handle, height adjustment
5A	9955	1	S	Washer-keyed
6	1900475001	1	S	Bracket-handlebar height adjust
7	1100046	2	S/F	Screw-hex hd., 3/8-16 x 1
8	9904	2	S	Washer-plain (flat) 3/8, S.A.E.
9	9837	2	S	Locknut-hex, 3/8-16
10	9338	2	S	Hair Pin Cotter
11	1916896	1		Reverse Clutch Lever-complete (Incl. grip, #9198)
12	9198	1		Grip-reverse clutch lever
13	1916639	1	S	Wheel Gear Control & Cable Assy.
14	9057	1	S	Knob-wheel gear control lever
15	1186211	2	/P	Nut-hex, 5/16-24, wheel gear cable adjustment
16	1100068	2	S/F	Screw-hex hd., 3/8-16 x 3/4
17	1100243	2	S	Lockwasher-3/8
18	GW-9445	2		Engine Throttle Control & Cable
19	9202	4	S	Ties-plastic
20	9212	1	S	Knob-throttle control lever
21	1114748	8	/P	Screw-round hd, No. 10-32 x 1/2
22	1100240	4	/P	Lockwasher-No. 10
23	1186208	4	/P	Nut-hex, No. 10-32
24	9390	2	S	Grip-paddle
25	20863	1	S	Bail-forward clutch control (Incl. two Grips, Ref. No. 24)
26	20862	1	S	Adjuster Assembly (Incl. Ref. No.'s 27, 28, 29, 30, 38 and 39)
27	9532	2	S	Klip Ring
28	20808	1	S	Adjuster, Right Side
29	20809	1	S	Adjuster, Left Side
30	9059	1	S	Spring-Adjuster
31	9522	1		Nut-rectangular
32	9386	1		Klip Ring
33	20831	1	S	Rod-forward clutch
34	GW-97083	1	S	Pin-Clevis
35	9853	4	S	Sems Nut
36	20806	2	S	Bracket-bail support
37	20888	1	S	Swivel
38	9432	1		Bushing
39	9973	1		Washer
40	1100805	1	S/F	Screw-hex hd., 1/4-20 x 3/4
41	GW-9811	1	S	Nut-1/4-20
42	9552	2	S/F	Screw-flanged hex hd, self-tapping, 1/4-20 x 1/2

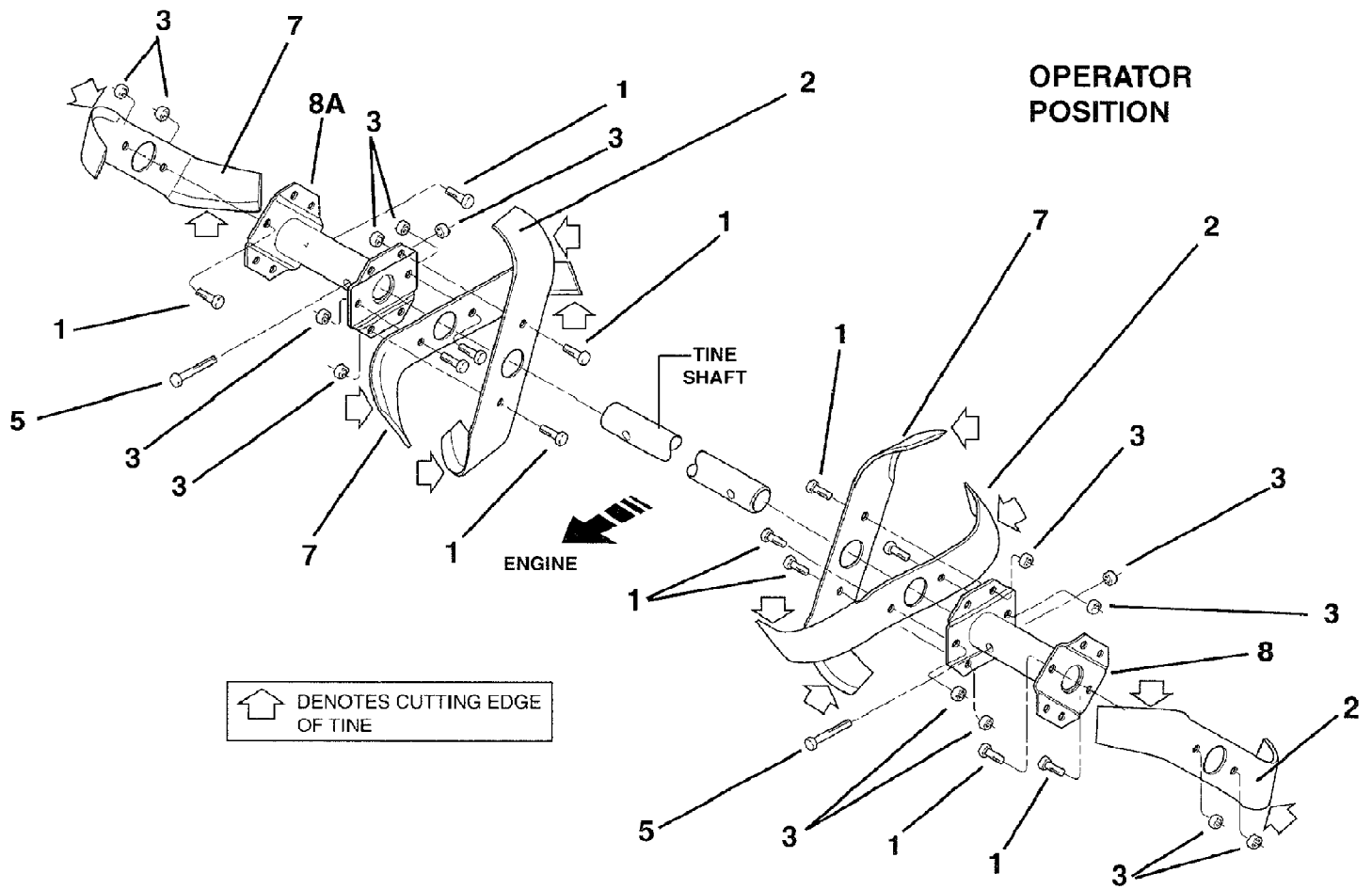
12194 Horse-OPC 8HP ROTOTILLER (S/N 121941100101-121941199999) Page 11 of 21
Handlebar Assembly And Control Levers

Ref #	Part Number	Qty	S/P/F	Description
43	20545	1	S	Washer-flat, 5/16"
44	1185147	1	S	Pin - cotter

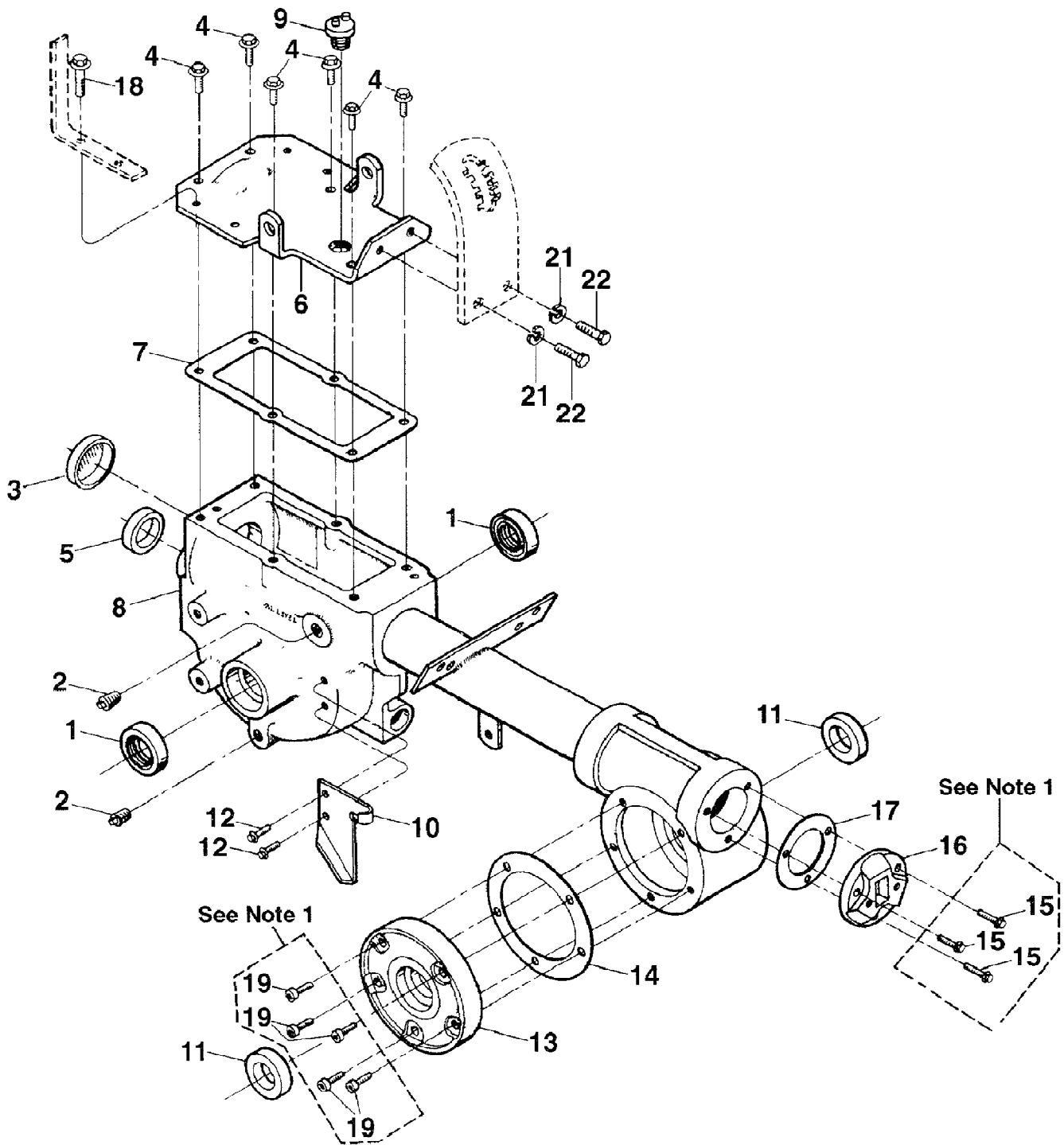


12194 Horse-OPC 8HP ROTOTILLER (S/N 121941100101-121941199999) Page 13 of 21
Hood, Bracket And Depth Regulator

Ref #	Part Number	Qty	S/P/F	Description
1	1917118	1	S	Hood-tine cover, with hinged flap (Incl Ref No 17, 17A and 17B)
2	1100243	2	S	Lockwasher-3/8
3	1916184001	1		Bracket-hood & depth regulator
4	GW-90038	2	S/F	Screw-flanged hex hd, 5/16-18 x 5/8
5	GW-9811	1	S	Locknut-hex, 1/4-20
6	1100069	1	S/F	Screw-hex hd , 1/4-20 x 1
7	9384	1	S	Spring-depth regulator plunger
8	GW-9438	1	S	Spacer
9	9308	1	S	Roll Pin-1/4 x 1 (spiral)
10	1916186001	1		Bar Assembly-depth adjustment
11	9120	1	S	Ring-retaining, tolerance ring
12	9119	1	S	Knob-depth regulator (Incl. Ref. No 11)
13	1100043	2	S/F	Screw-hex hd, 3/8-16 x 1-1/4
14	1113-1	2	S	Bushing-spacer, drag bar
15	1186231	2	S	Nut-hex, 3/8-16
16	1916185001	1	/P	Drag Bar-depth regulator
17	1916805	1		Decal-tiller operating instructions
17A	1911361	1		Decal- Warning
17B	1916919	1	/P	Decal- Logo
18	1766984	2	/P/F	Screw-hex hd, self-tapping, 5/16-18 x 1/2
19	9552	2	S	Screw-flanged hex hd, self-tapping, 1/4-20 x 1/2
20	1916700001	2		Bracket- support, left
21	1916701001	1		Bracket- support, right
22	1186328	6	S	Bolt- hex hd , 5/16"-18 x 5/8"
23	1186391	6	S	Nut- hex, 5/16"-18



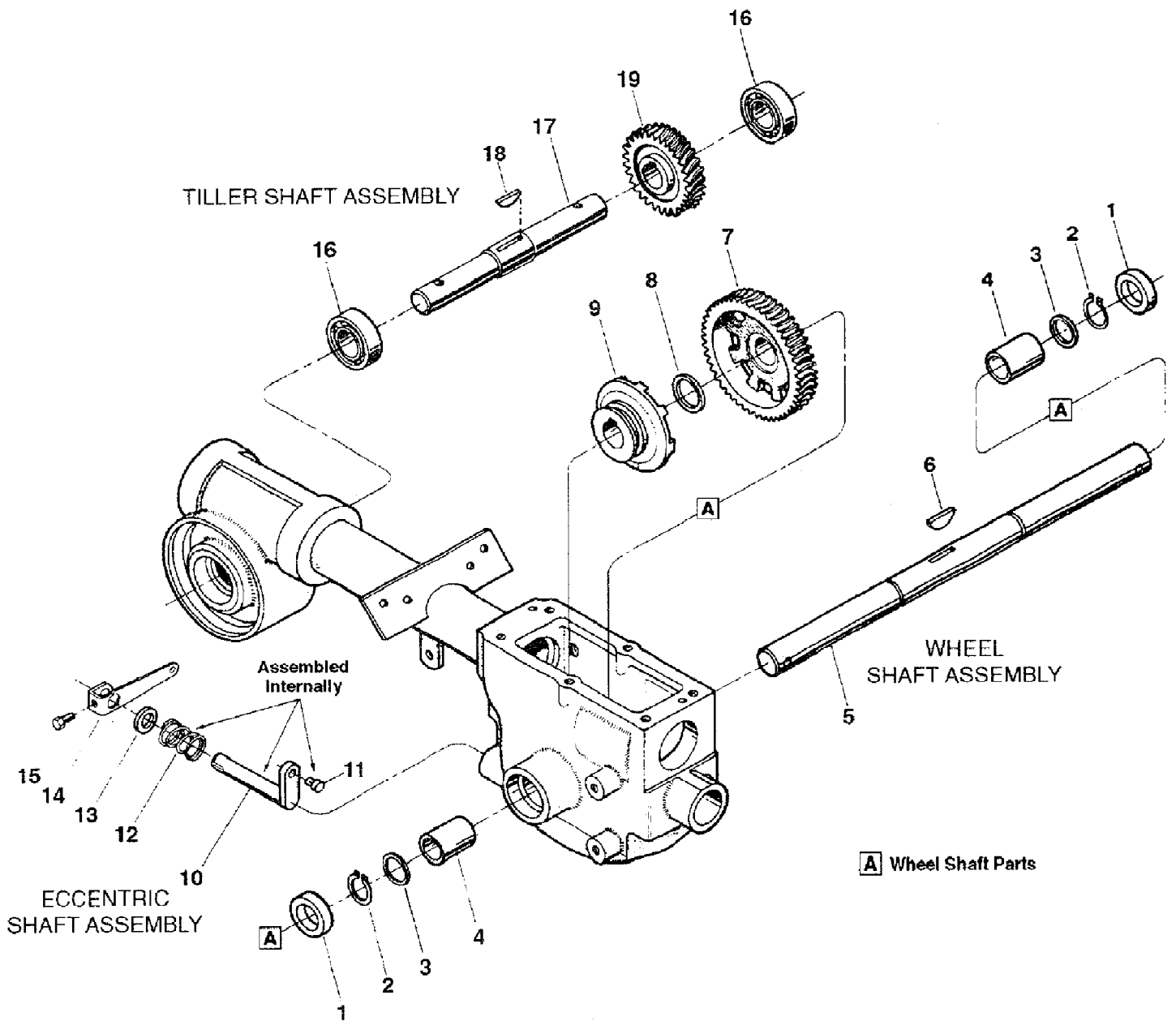
Ref #	Part Number	Qty	S/P/F	Description
1	1100068	12	S	Screw-hex hd., 3/8-16 x 3/4
2	1985101	3		Tine-twin-edged, right facing
3	1733398	14	S	Hex Locknut, 3/8-16
5	1982612	2	S	Screw-hex hd., 3/8-16 x 2, GRADE 8
7	1985100	3	/P	Tine- twin-edged, left facing
8	1916693001	1	/P	Tine Holder- left side
8A	1916694001	1	/P	Tine Holder- right side



NOTE 1: THESE SCREWS ARE A SPECIAL SEALING SCREW THAT CAN NOT BE REUSED WITHOUT RISKING THE LOSS OF TRANSMISSION OIL. IF THESE SCREWS ARE LOOSENED OR REMOVED, THEY MUST BE REPLACED WITH NEW HARDWARE.

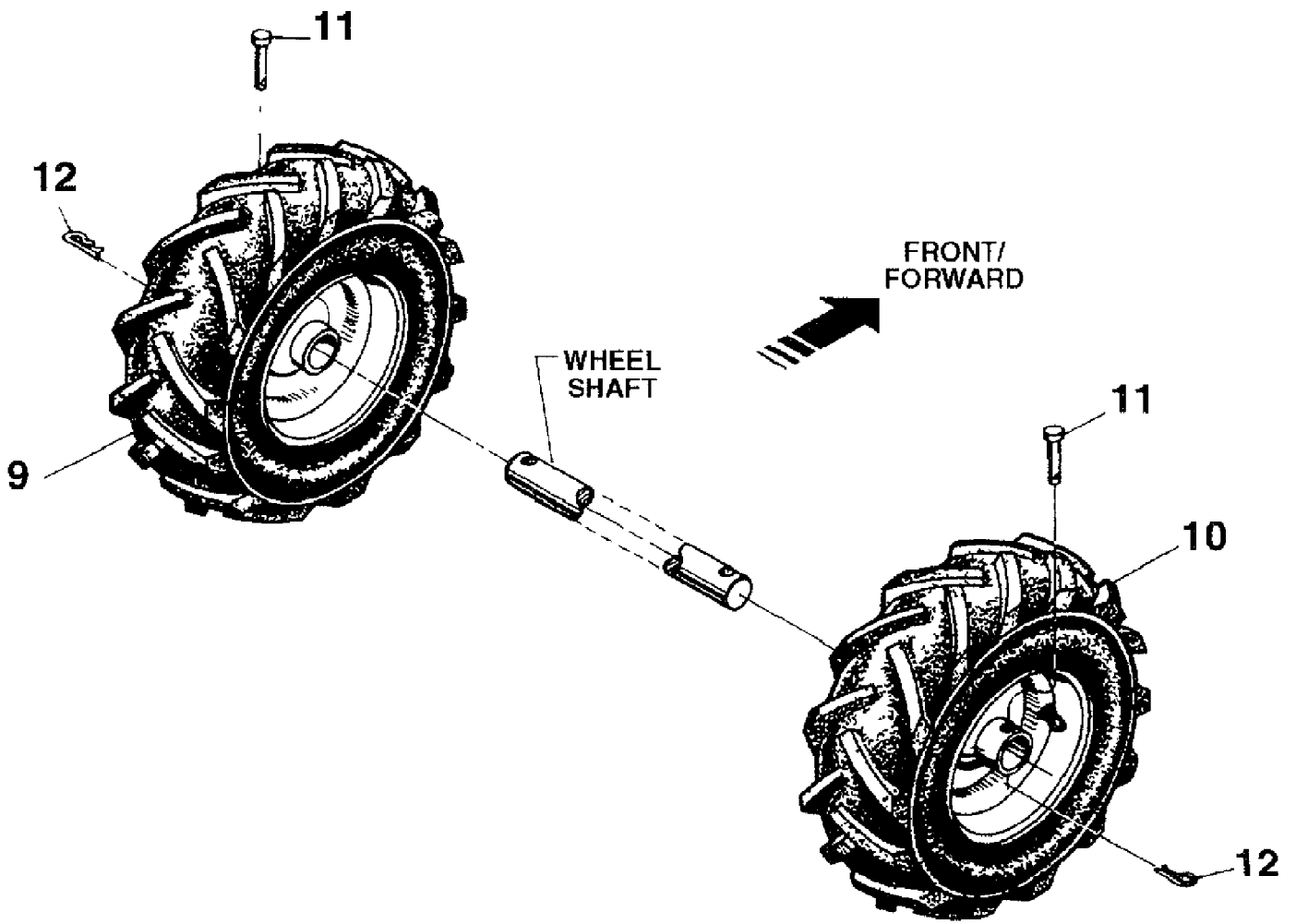
12194 Horse-OPC 8HP ROTOTILLER (S/N 121941100101-121941199999) Page 17 of 21
Transmission Housing, Covers, Seals, Gaskets And Plugs

Ref #	Part Number	Qty	S/P/F	Description
1	9621	2	S	Oil Seal-double lip, wheel shaft, right and left sides
2	9726	2	S	Plug-pipe, 1/4, oil level hole and gear oil drain hole
3	97076	1	S	Seal-transmission bore
4	1186329	6	S/F	Screw-flanged hex hd., 5/16-18 x 3/4
5	GW-85030	1	S	Oil Seal-input pinion shaft
6	1916193001	1	/P	Cover-top of transmission
7	20694	1	S	Gasket-transmission top cover
8	20893	1	S	Transmission case, tube and rear housing assembly
9	9467	1	S	Plug-gear oil fill hole
10	1917101001	1	/P	Plate-wheel drive cable mounting
11	97073	2	S	Oil Seal-tiller shaft, left and right sides
12	GW-90038	2	S/F	Screw-flanged hex hd., 5/16-18 x 5/8
13	1916199001	1	S	Cover-tiller housing, left side
14	1129-1	A/R	S	Gasket-tiller housing cover, .010 (fits all covers)
15	1915089	A/R	/P	Screw Kit: Includes three (3) 1/4-20 x 7/8" self-sealing screws
16	1900881001	1	S	Cap-rear bearing
17	1124-2	A/R	S	Gasket-rear bearing cap, .010 thick
18	1186331	4	S/F	Screw-flanged hex hd., 5/16-18 x 1
19	1915087	A/R	/P	Screw Kit: Includes five (5) 1/4"-20 x 5/8" self-sealing screws
21	1100243	2	S	Lockwasher-3/8
22	1100068	2	S	Screw-hex hd., 3/8-16 x 3/4



12194 Horse-OPC 8HP ROTOTILLER (S/N 121941100101-121941199999) Page 19 of 21
 Wheel Shaft, Eccentric Shaft And Tiller Shaft Assemblies

Ref #	Part Number	Qty	S/P/F	Description
1	9621	2	S	Oil Seal-left and right sides
2	9511	2	S	Ring-retaining, heavy-duty, external
3	1166-1	A/R	S	Shim-1-1/64 I.D., .062 thick
	1166-2	A/R	S	Shim-as above, but .030 thick
	1166-3	A/R	S	Shim-as above, but .015 thick
	1166-4	A/R	S	Shim-as above, but .010 thick
4	1086	2	S	Bushing
5	1916711	1		Wheel Shaft (axle)
6	9373	1	S	Key-hi-pro (1/4 x 1-5/16), clutch to wheel shaft
7	20914	1	S	Gear-wheel drive (worm gear), cast iron
8	9935	1	S	Shim-between key and gear (1.016 I.D. x 1.468 O.D. x .062 thick)
9	20712	1	S	Clutch-wheel drive, cast iron
10	GW-20699	1	S	Eccentric Shaft-wheel clutch shifting
11	1442	1	S	Pin-eccentric shaft
12	9055	1	S	Spring
13	9622	1	S	Oil Seal-eccentric shaft
14	20757	1		Lever-eccentric shaft
15	1100804	1	S/F	Screw-hex hd., 1/4-20 x 1/2
16	97074	2	S	Ball Bearing-for tiller shaft
17	1916709	1	S	Tiller Shaft
18	1104	1	S	Key-woodruff, 1/4 x 1-1/4, for tiller shaft/worm gear
19	1904279	1	S	Worm Gear-bronze, tiller drive
	737-04040	1 Qt.	/P	Transmission Gear Oil



Ref #	Part Number	Qty	S/P/F	Description
9	1915056	1	/P	Wheel & Tire Assy-left side
10	1915057	1	/P	Wheel & Tire Assy-right side
11	9380	2	S	Clevis Pin-.312 x 1-3/4 long
12	9338	2	S	Hitch Pin