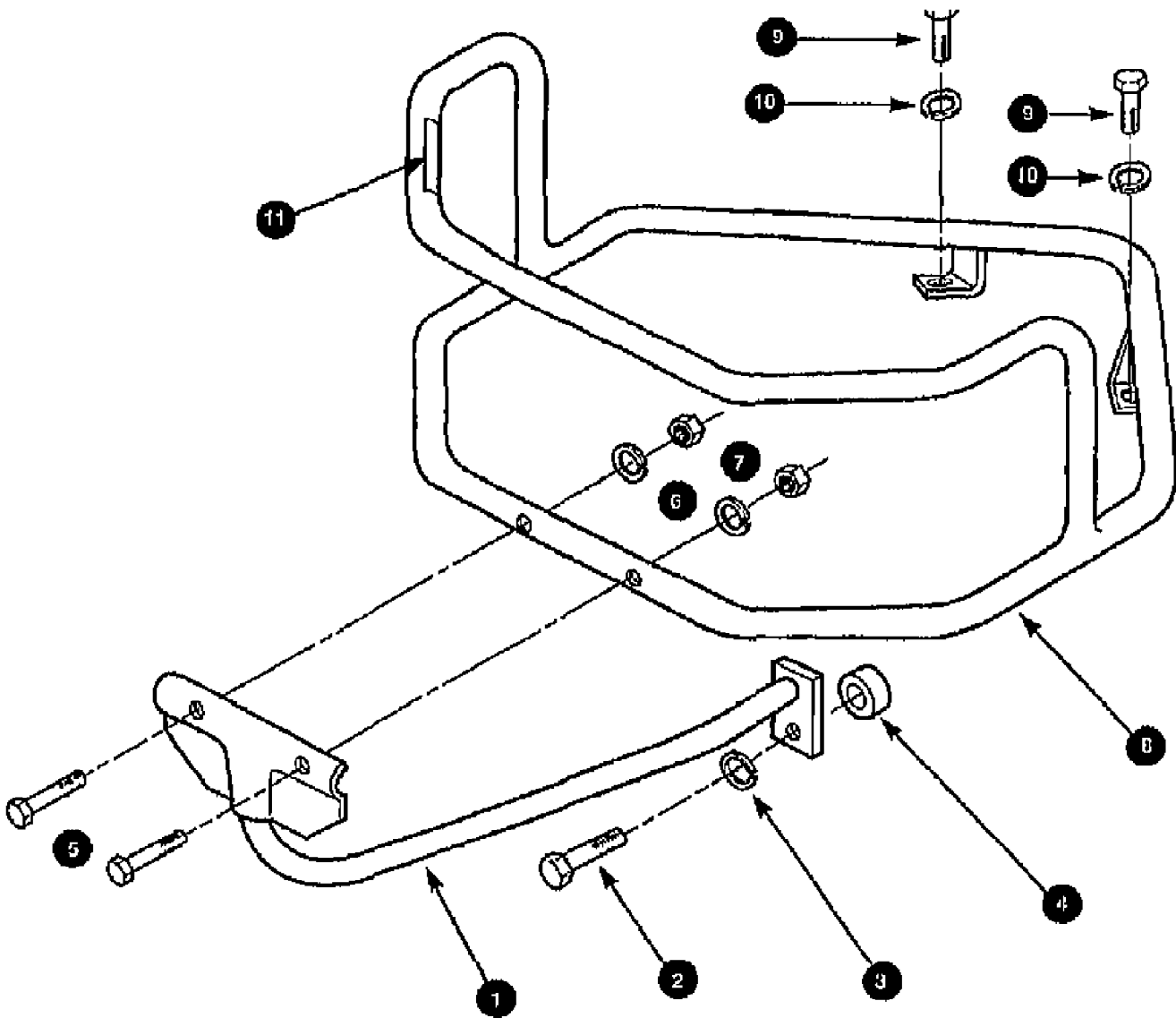


12153 HORSE-OPC (11HP) ROTOTILLER  
ADDITIONAL STANDARD EQUIPMENT - BUMPER

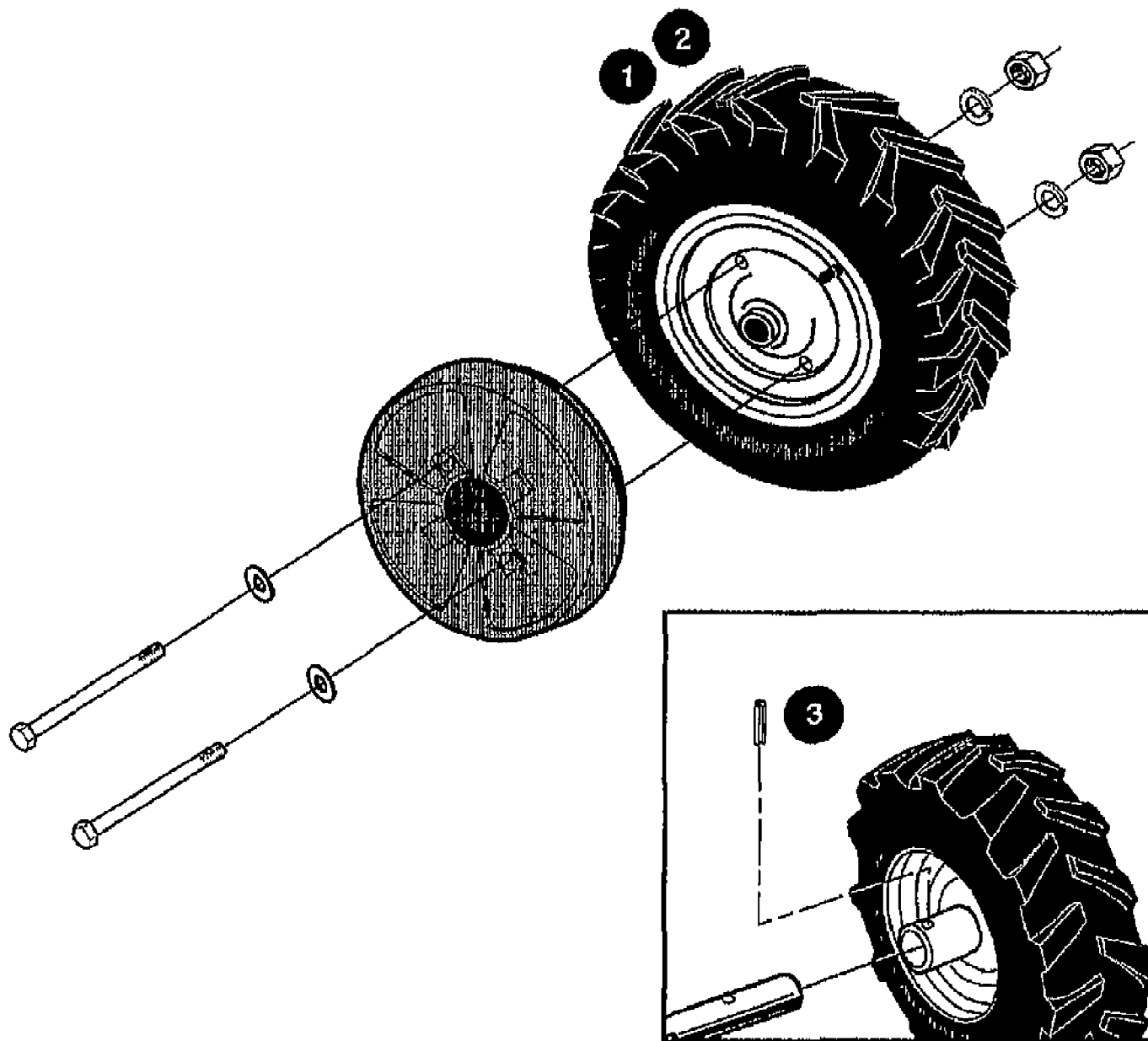


12153 HORSE-OPC (11HP) ROTOTILLER  
ADDITIONAL STANDARD EQUIPMENT - BUMPER

Page 2 of 23

| Ref # | Part Number | Qty | S/P/F | Description              |
|-------|-------------|-----|-------|--------------------------|
| 1     | 1910730010  | 0   | S     | WELD-BRACE BOTTOM RED    |
| 2     | 1100064     | 0   | S     | SCR-HH 1/2-13X1.5 G5 ZP  |
| 3     | 1100245     | 0   | S     | WASHER-LK .5             |
| 4     | 1909748     | 0   | /P    | SPACER-1.0X.546X.5       |
| 5     | 1100799     | 0   | S     | SCR-HH 5/16-18X1.5 G5 ZP |
| 6     | 1100242     | 0   | S     | WASHER-LK .312 ZP        |
| 7     | 1186230     | 0   | S     | NUT-HEX 5/16-18 ZP       |
| 8     | 1904168     | 0   | S     | ASSM-GUARD W/DECALS PNT  |
| 9     | 1100046     | 0   | S     | SCR-HH 3/8-16X1.0 G5 ZP  |
| 10    | 1100243     | 0   | S     | WASHER-LK .375 @ DEPL    |
| 11    | 1448        | 0   | S     | DECAL-BUMPER             |

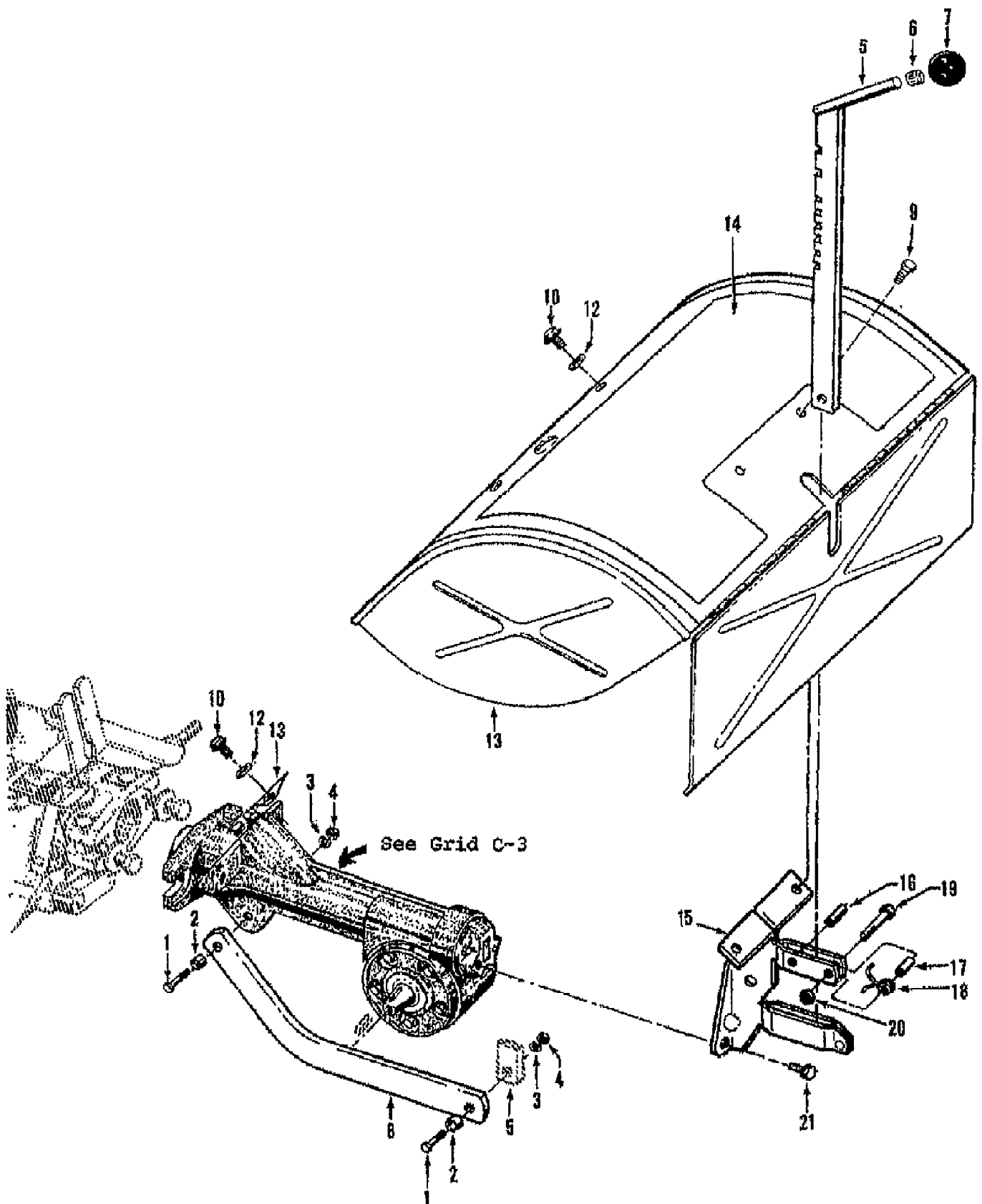
12153 HORSE-OPC (11HP) ROTOTILLER  
ADDITIONAL STANDARD EQUIPMENT - WHEELS



12153 HORSE-OPC (11HP) ROTOTILLER  
ADDITIONAL STANDARD EQUIPMENT - WHEELS

| Ref # | Part Number | Qty | S/P/F | Description             |
|-------|-------------|-----|-------|-------------------------|
| 1     | 1915056     | 0   | /P    | ASSM-TIRE/WHL LT W/HOLE |
| 2     | 1915057     | 0   | /P    | ASSM-TIRE/WHL RT W/HOLE |
| 3     | 1915072     | 0   | /P    | PIN-SPRING .312X1.5     |

12153 HORSE-OPC (11HP) ROTOTILLER  
DEPTH REGULATOR & TIME HOOD ASSEMBLIES

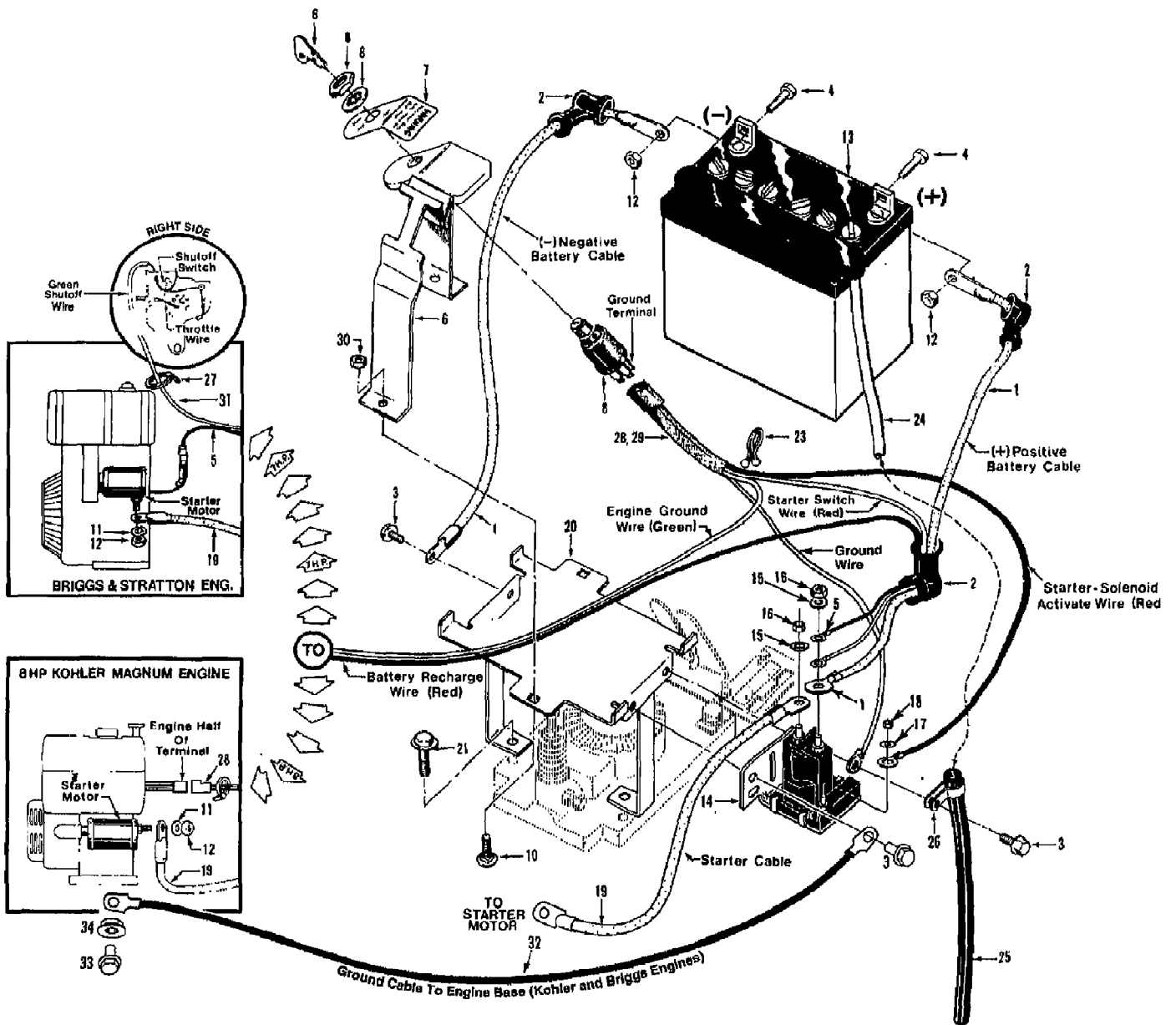


12153 HORSE-OPC (11HP) ROTOTILLER  
DEPTH REGULATOR & TIME HOOD ASSEMBLIES

Page 6 of 23

| Ref # | Part Number | Qty | S/P/F | Description               |
|-------|-------------|-----|-------|---------------------------|
| 1     | GW-9712     | 0   | S     | SCR-HH 3/8-16X1.25        |
| 2     | 1113-1      | 0   | S     | BUSHING-.5X.375X.3        |
| 3     | GW-9913     | 0   | S     | WASHER-LK .375 @ DEPL     |
| 4     | GW-9802     | 0   | S     | NUT-HEX 3/8-16 ZP         |
| 5     | 1117A       | 0   | S     | DEPTH REGULATOR W/KNOB    |
| 6     | 9120        | 0   | S     | RING-TOLERANCE .5325 ID   |
| 7     | 9119        | 0   | S     | KNOB-CONTROL              |
| 8     | 1900867010  | 0   | S     | BAR-DRAG RED              |
| 9     | 9552        | 0   | S     | SCR-HWH 1/4-20 X .5 STH   |
| 10    | GW-90044    | 0   | S     | SCR-HFLK 5/16-18X.75 ZP   |
| 11    | 0           | 0   |       | THIS REF. NO. NOT USED    |
| 12    | 9929        | 0   | S     | WASHER-#1.125X.344 ZP     |
| 13    | 2629        | 0   |       | HOOD W/DECALS OPC SERVICE |
| 14    | 2719        | 0   |       | DECAL-HOOD INST           |
| 15    | 2527        | 0   | S     | BRKT W/ROLL PIN (9308)    |
| 16    | 9308        | 0   | S     | PIN-ROLL .25 X 1          |
| 17    | 9534        | 0   | S     | SPACER-.250X.343X.375     |
| 18    | 9384        | 0   | S     | SPRING-TORSION            |
| 19    | GW-9734     | 0   | S     | SCR-HH 1/4-20X1.0         |
| 20    | GW-9811     | 0   | S     | NUT-LK 1/4-20             |
| 21    | GW-90038    | 0   | S     | SCR-HFLK 5/16-18X.62 G5ZP |

12153 HORSE-OPC (11HP) ROTOTILLER  
ELECTRIC START SYSTEM



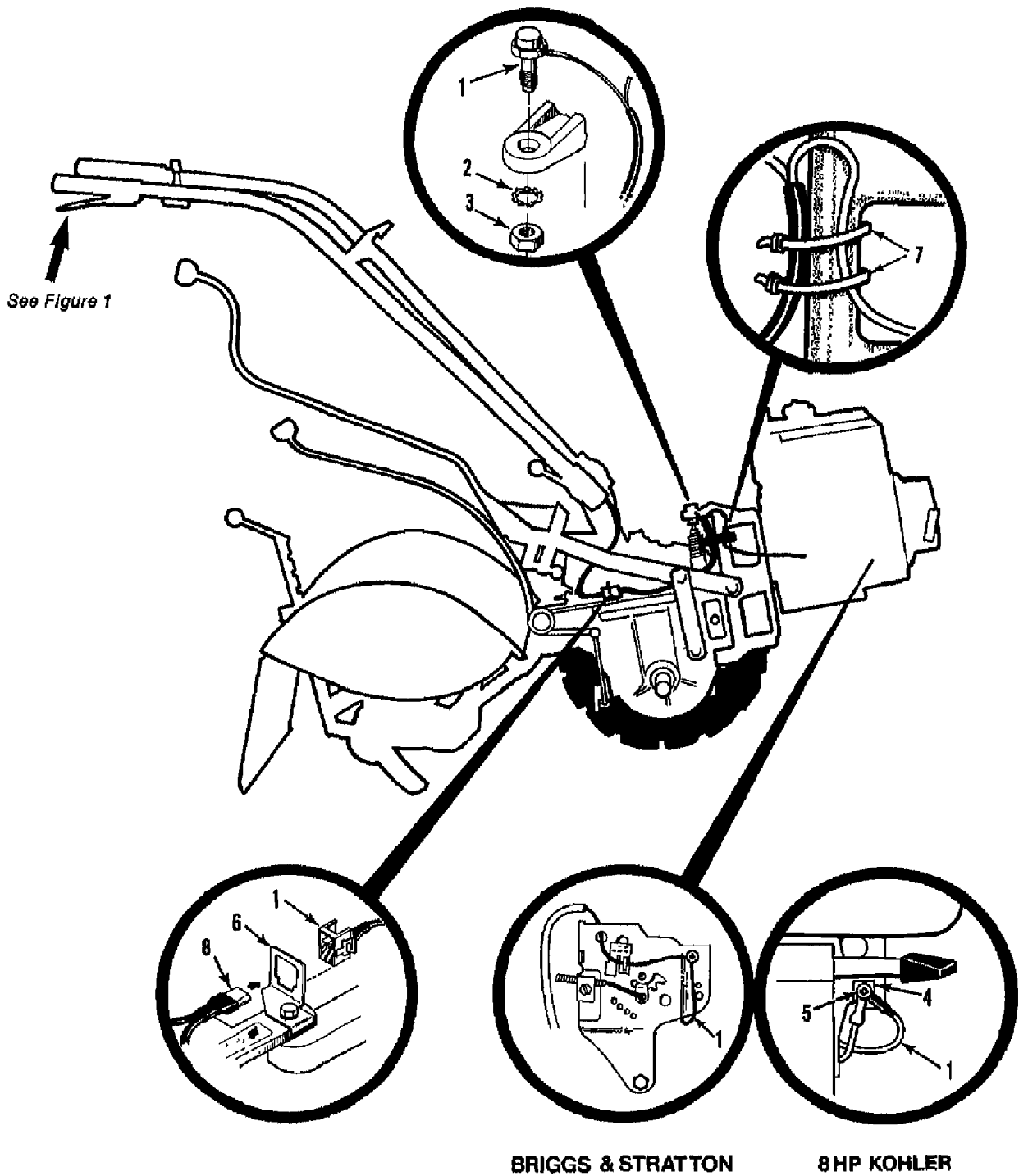
12153 HORSE-OPC (11HP) ROTOTILLER  
ELECTRIC START SYSTEM

Page 8 of 23

| Ref # | Part Number | Qty | S/P/F | Description              |
|-------|-------------|-----|-------|--------------------------|
| 1     | 96515       | 0   | S     | CABLE-BATTERY 10"        |
| 2     | 97020       | 0   | S     | BOOT-BATTERY CABLE       |
| 3     | 9552        | 0   | S     | SCR-HWH 1/4-20 X .5 STH  |
| 4     | GW-9780     | 0   | S     | SCR-HH 1/4-20X.625       |
| 5     | GW-1554     | 0   | S     | WIRE-RECHARGE 5&7 BRIGGS |
| 6     | 1904564     | 0   | S     | KEYSWITCH W/DECAL HORSE  |
| 7     | 1904548     | 0   | S     | DECAL-IGNITION TILLERS   |
| 8     | 1908112     | 0   | S     | ASSM-KEYSWITCH ELEC TLR  |
| 9     | 96520       | 0   | S     | KEYS-IGN T/BLAZER 1 PAIR |
| 10    | GW-9566     | 0   | S     | SCR-CARR 1/4-20X1.25     |
| 11    | GW-9910     | 0   | S     | WASHER-LK .25 ZP         |
| 12    | GW-9800     | 0   | S     | NUT-HEX 1/4-20 ZP        |
| 13    | GW-9092B    | 0   | S     | BATTERY-12 VOLT HORSE    |
| 14    | 96514       | 0   | S     | SOLENOID                 |
| 15    | GW-9912     | 0   | S     | WASHER-LK .312 ZP        |
| 16    | GW-9826     | 0   | S     | NUT-HEX 5/16-24          |
| 17    | 9921        | 0   | S     | WASHER-EXTERNAL TOOTH 1  |
| 18    | GW-9809     | 0   | S     | NUT-HH M10-32X.125       |
| 19    | 96510       | 0   | S     | CABLE-BATTERY 12"        |
| 20    | 2571        | 0   | S     | BRKT-BATTERY OPC PNT     |
| 21    | GW-90047    | 0   | S     | SCR-HFLK 3/8-16X1.50     |
| 22    | 0           | 0   |       | THIS REF. NO. NOT USED   |
| 23    | 9265        | 0   | S     | TIE-TWIST LOCK           |
| 24    | 9009        | 0   | S     | TUBE-VENT BATTERY/HSE    |
| 25    | 1475        | 0   |       | TUBING-RUBBER            |
| 26    | 9224        | 0   |       | CLAMP                    |
| 27    | 9202        | 0   | S     | TIE-RED                  |
| 28    | 1908118     | 0   | S     | KIT-WIRE HARNESS ASSM    |
| 29    | 1908117     | 0   |       | ASSM-WIRE HARNESS        |
| 30    | GW-9844     | 0   | S     | NUT-HF/LK 1/4-20 ZP      |
| 31    | 20421       | 0   | S     | ASSM-WIRE SWITCH/GROUND  |
| 31    | 1901202     | 0   | /P    | CABLE-BATTERY 15"        |
| 32    | 1901202     | 0   | /P    | CABLE-BATTERY 15"        |
| 33    | GW-90045    | 0   | S     | SCR-HFLK 5/16-18X1.00 ZP |
| 34    | GW-9848     | 0   | S     | NUT-HFLK 5/16-18 ZP      |



12153 HORSE-OPC (11HP) ROTOTILLER  
FORWARD INTERLOCK SYSTEM

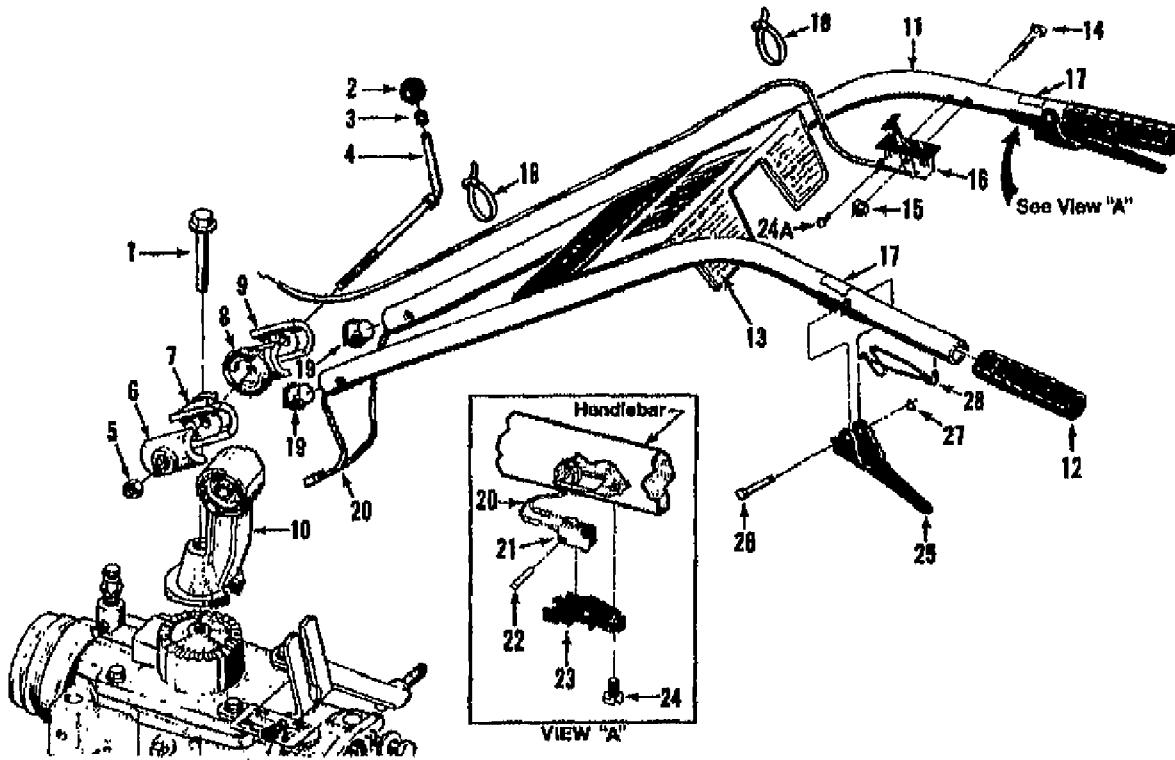


12153 HORSE-OPC (11HP) ROTOTILLER  
FORWARD INTERLOCK SYSTEM

Page 10 of 23

| Ref # | Part Number | Qty | S/P/F | Description               |
|-------|-------------|-----|-------|---------------------------|
| 1     | 2552        | 0   | S     | HARNESS-WIRE ENG OPC      |
| 2     | 9971        | 0   | S     | WASHER-LK .438 EXT TOOTH  |
| 3     | GW-9851     | 0   | S     | NUT-HEX/JAM 7/16-20       |
| 4     | GW-ET69-12  | 0   | F     | GROMMET-7 T/L & 8 KOH OPC |
| 5     | GW-ET42-447 | 0   | F     | SCR #8-18 SELF TAP        |
| 6     | 9205        | 0   | S     | CLIP-CONNECTOR            |
| 7     | 9202        | 0   | S     | TIE-RED                   |
| 8     | 2551        | 0   | S     | HARNESS-WIRE OPC HORSE    |

12153 HORSE-OPC (11HP) ROTOTILLER  
HANDLE BAR ASSEMBLY

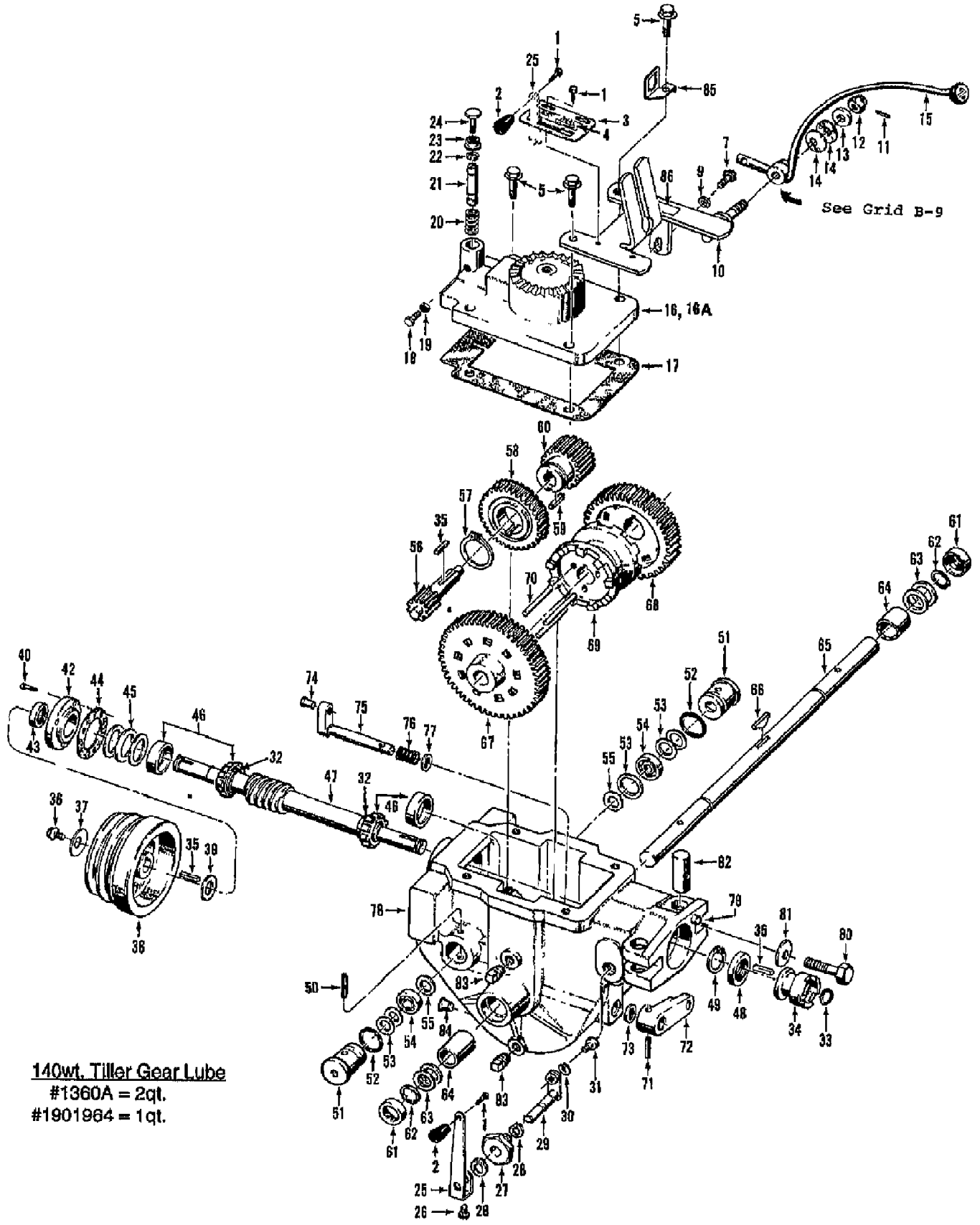


12153 HORSE-OPC (11HP) ROTOTILLER  
HANDLE BAR ASSEMBLY

Page 12 of 23

| Ref # | Part Number | Qty | S/P/F | Description                                                       |
|-------|-------------|-----|-------|-------------------------------------------------------------------|
| 1     | 9548        | 0   | S     | BOLT 1/2-13X3.5 FH GR5                                            |
| 2     | 9119        | 0   | S     | KNOB-CONTROL (INCL. 3)                                            |
| 3     | 9120        | 0   | S     | RING-TOLERANCE .5325 ID                                           |
| 4     | 1881        | 0   | S     | STUD-H/BAR W/NUT & RING (INCL. 2,3 & 5)                           |
| 5     | GW-9803     | 0   | S     | NUT-HEX JAM 1/2-13                                                |
| 6     | 1900854010  | 0   | /P    | CLAMP-LH HORSE 1021-1                                             |
| 7     | 1900856010  | 0   | /P    | RATCHET-H/BAR RED 2542-1                                          |
| 8     | 1900857010  | 0   | /P    | RATCHET-RH RED HORSE 2542-2                                       |
| 9     | 1900855010  | 0   | /P    | CLAMP-RH HORSE 1021-2                                             |
| 10    | 1900858010  | 0   | /P    | BASE-H/BAR RED 2534A                                              |
| 11    | 2704        | 0   | S     | ASSM-HANDLEBAR W/GRIPS (INCL. 2 OF<br>EA. 12, 17 & 28 AND ONE 13) |
| 12    | 9125        | 0   | S     | GRIP-H/BAR SMOOTH                                                 |
| 13    | 2715        | 0   | S     | DECAL-CONTROL PANEL HORSE                                         |
| 13    | 1904146     | 0   |       | DECAL-CONTROL PANEL (11HP)                                        |
| 14    | 9547        | 0   | S     | BOLT-CH 1/4-20X2.00 ZP                                            |
| 15    | GW-9844     | 0   | S     | NUT-HF/LK 1/4-20 ZP                                               |
| 16    | 9444        | 0   | S     | CABLE-THROTTLE 7 I/C B&S<br>{12068/069/080/081/087}               |
| 16    | 1909286     | 0   | S     | CABLE-THROTTLE 7&8 B&S<br>{12074/075/088/089/090}                 |
| 16    | 9650        | 0   |       | CABLE-THROTTLE 8HP OPC<br>{12070/071/082/083}                     |
| 17    | 1900763     | 0   |       | DECAL-FWD INTERLOCK                                               |
| 18    | 9202        | 0   | S     | TIE-RED                                                           |
| 19    | 9219        | 0   | S     | RETAINER-HARNESS H/B OPC                                          |
| 20    | 2551        | 0   | S     | HARNESS-WIRE OPC HORSE                                            |
| 21    | 9250        | 0   | S     | SWITCH-H/B OPC                                                    |
| 22    | 9385        | 0   | S     | PIN-LK .11X.58 HORSE OPC                                          |
| 23    | 2543        | 0   | S     | HOUSING-SWITCH OPC                                                |
| 24    | 90039       | 0   |       | SCR-HW M10-24X.5 STH ZP                                           |
| 24A   | 9733        | 0   | S     | SCR-PHS M10-32X.5 STH ZP                                          |
| 25    | 2546        | 0   | S     | LEVER-HORSE OPC                                                   |
| 26    | 9199        | 0   | S     | PIN-PIVOT OPC LEVER                                               |
| 27    | 9514        | 0   | S     | RING-KLIP 5304-25                                                 |
| 28    | 9387        | 0   | S     | SPRING-H/B LEVER                                                  |

12153 HORSE-OPC (11HP) ROTOTILLER  
POWER UNIT TRANSMISSION ASSEMBLIES



140wt. Tiller Gear Lube  
#1360A = 2qt.  
#1901964 = 1qt.

12153 HORSE-OPC (11HP) ROTOTILLER  
POWER UNIT TRANSMISSION ASSEMBLIES

Page 14 of 23

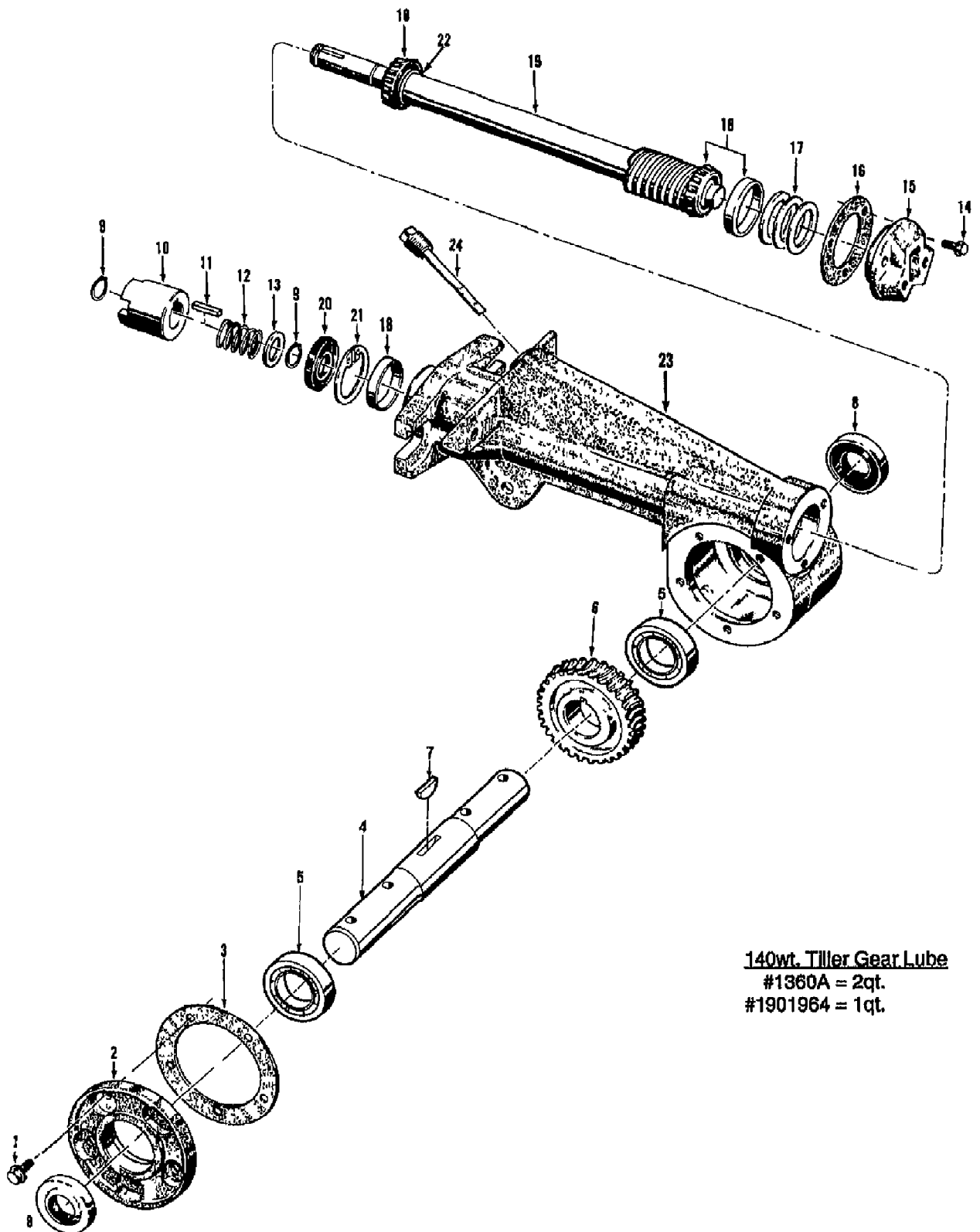
| Ref # | Part Number | Qty | S/P/F | Description                   |
|-------|-------------|-----|-------|-------------------------------|
| 1     | GW-9782     | 0   | S     | SCR 10-32                     |
| 2     | 9463        | 0   | S     | KNOB-TAPERED                  |
| 3     | 2263        | 0   | S     | PLATE-TINE ENGAGE W/DECAL     |
| 4     | 1900758     | 0   | S     | DECAL-TINE ENGAGE             |
| 5     | GW-90047    | 0   | S     | SCR-HFLK 3/8-16X1.50          |
| 6     | 0           | 0   |       | THIS REF. NO. NOT USED        |
| 7     | GW-90044    | 0   | S     | SCR-HFLK 5/16-18X.75 ZP       |
| 8     | 0           | 0   |       | THIS REF. NO. NOT USED        |
| 9     | GW-9902     | 0   | S     | WASHER-FLAT 5/16 SAE          |
| 10    | 1900870010  | 0   | S     | BRKT-H HOOD 2149              |
| 11    | 9362        | 0   | S     | PIN-SPRING .125 X 1           |
| 12    | 9838        | 0   |       | NUT-HEX 1/2-20                |
| 13    | 9934        | 0   | S     | WASHER-# SHOULDER ZP          |
| 14    | 9932        | 0   | S     | WASHER-# 1.97X1X.118          |
| 15    | 0           | 0   |       | THIS REF. NO. NOT USED        |
| 16    | 1900869010  | 0   | S     | COVER-TRANS RED 2523          |
| 16A   | 2566        | 0   | S     | ASSM-TRANS COVER OPC          |
| 17    | 1123        | 0   | S     | GASKET-TRANS COVER            |
| 18    | GW-90008    | 0   | S     | SCR-HH 5/16-18X1.0 G5 ZP      |
| 19    | GW-9801     | 0   | S     | NUT-HEX 5/16-18 ZP            |
| 20    | 1901439     | 0   | /P    | SPRING-REV PLUNGER ZP         |
| 21    | 1035        | 0   | S     | ASSM-NEUTRAL PLUNGER          |
| 22    | 1901440     | 0   | /P    | RING-KLIP EXT .594 ID ZP      |
| 23    | GW-9831     | 0   | S     | NUT-HFLK 3/8-16 ZP            |
| 24    | 1902004     | 0   | /P    | SCR 3/8-16X1.5 UNC-2AG        |
| 25    | 1900878010  | 0   | S     | LEVER-ECCENTRIC RED           |
| 26    | GW-9743     | 0   | S     | SCR-HH 1/4-20X.5 GR5 YEL      |
| 27    | 2123        | 0   | S     | BUSHING-.87X.5X.62 ECC        |
| 28    | 9516        | 0   | S     | RING-RETAINING 5100-50        |
| 29    | 2461        | 0   | S     | SHAFT-WELD ECCENTRIC          |
| 30    | 9911        | 0   | S     | WASHER-LK .25 HI-COLLAR       |
| 31    | 9672        | 0   | S     | SCR-HXSKT 1/4-20X.38 G8       |
| 32    | 1138-1      | 0   | S     | SHIM-1.0X.7656X.062           |
| 33    | 9500        | 0   | S     | RING-RETAIN EXT .707 ID       |
| 34    | GW-2120-3   | 0   | S     | KIT-CLUTCH DOGS TILLER        |
| 34    | 1909139     | 0   | S     | CLUTCH-DOG HORSE TRANS        |
| 35    | 9301        | 0   | S     | KEY-.188 SQX1.0               |
| 36    | 9655        | 0   | S     | SCR-HH 5/16-24X.75 G5 ZP      |
| 37    | 9944        | 0   | S     | WASHER-.827X.331X.098         |
| 38    | 2107        | 0   | S     | PULLEY-TRANS MACH             |
| 39    | 50027       | 0   | S     | WASHER-SHLDR HARDENED         |
| 40    | GW-9579     | 0   | S     | SCR-HFLK 1/4-20X.75 G5 ZP     |
| 41    | 0           | 0   |       | THIS REF. NO. NOT USED        |
| 42    | 1900879010  | 0   | S     | COVER-FRONT                   |
| 43    | GW-85030    | 0   | S     | SEAL-PINION SHAFT PT/85030/00 |
| 44    | 1124-2      | 0   | S     | GASKET-BRG COVER              |
| 45    | 1224-1      | 0   | S     | SHIM-1.75X1.5X.01             |
| 45    | 1224-2      | 0   | S     | SHIM-1.75X1.5X.03             |
| 45    | 1224-3      | 0   | S     | SHIM-1.75X1.5X.005            |
| 45    | 1224-4      | 0   | S     | SHIM-1.75X1.5X.062            |
| 46    | 1714        | 0   | S     | KIT-BRG CONE&RACE-DRIVESHAFT  |
| 47    | 11601       | 0   |       | KIT-WHEELDRIVE ROLL/WORM      |
| 48    | 9617        | 0   | S     | SEAL-OIL DRIVESHAFT           |

12153 HORSE-OPC (11HP) ROTOTILLER  
POWER UNIT TRANSMISSION ASSEMBLIES

Page 15 of 23

| Ref # | Part Number | Qty | S/P/F | Description               |
|-------|-------------|-----|-------|---------------------------|
| 49    | 9517        | 0   | S     | RING-RETAINING 5000-181   |
| 50    | 9309        | 0   | S     | PIN-SPIROL .25 X 2.0      |
| 51    | 1060A       | 0   | S     | PLUG-PINION BRG W/RING    |
| 52    | 9604        | 0   | S     | RING-O 1 ID               |
| 53    | 1132-1      | 0   | S     | SHIM-1.234X1.015X.033     |
| 53    | 1132-2      | 0   | S     | SHIM-1.234X1.015X.062     |
| 53    | 1132-3      | 0   | S     | SHIM-1.234X1.015X.01      |
| 54    | 9404        | 0   | S     | BRG-BALL (7 BALLS)        |
| 55    | 1126        | 0   | S     | WASHER-# 1X.484X.06       |
| 56    | 1222        | 0   | S     | GEAR-SPLINE 10 TEETH MACH |
| 57    | 9502        | 0   | S     | RING-RETAINING 5100-150   |
| 58    | 2656        | 0   | S     | GEAR-WORM MACH            |
| 59    | 9300        | 0   | S     | KEY                       |
| 60    | 1233        | 0   | S     | GEAR-SPUR 20 TEETH MACH   |
| 61    | 9621        | 0   | S     | SEAL-OIL WHEELSHAFT       |
| 62    | 9511        | 0   | S     | RING-HEAVY EXT .906 ID    |
| 63    | 1166-1      | 0   | S     | SHIM-1.375X1.015X.062     |
| 63    | 1166-2      | 0   | S     | SHIM-1.375X1.015X.03      |
| 63    | 1166-3      | 0   | S     | SHIM-1.375X1.015X.015     |
| 63    | 1166-4      | 0   | S     | SHIM-1.375X1.015X.01      |
| 63    | 1166-5      | 0   | S     | SHIM-1.375X1.015X.005     |
| 64    | 1086        | 0   | S     | BUSHING-1.25X1.005X1.5    |
| 65    | 1878        | 0   | S     | KIT-WHEELSHAFT            |
| 66    | 9357        | 0   | S     | KEY-HI PRO .25X1.812      |
| 67    | 1223        | 0   | S     | GEAR-SPUR 56 TEETH MACH   |
| 68    | 1232        | 0   | S     | GEAR-SPUR 46 TEETH MACH   |
| 69    | 1237        | 0   | S     | CLUTCH-MACH               |
| 70    | 1112        | 0   | S     | PIN-CLUTCH .25 2.65       |
| 71    | 9307        | 0   | S     | PIN-SPIROL .188 X 1.25    |
| 72    | 1900880010  | 0   | S     | LEVER-ECC. #1029          |
| 73    | 9622        | 0   | S     | SEAL-OIL ECCENTRIC        |
| 74    | 1442        | 0   | S     | PIN-.375 X .72            |
| 75    | 2712        | 0   | S     | SHAFT-ECCENTRIC HORSE TLR |
| 76    | 1441        | 0   | S     | SPRING .845 X 1.25        |
| 77    | 1440        | 0   | S     | WASHER # .875 X .65 X .06 |
| 78    | 2260        | 0   | S     | CASE-TRANS W/PIN          |
| 79    | 9359        | 0   | S     | PIN-DRIVE .375X.75 ZP     |
| 80    | GW-9560     | 0   | S     | SCR-HH 1/2-13X2.0 G5 ZP   |
| 81    | 9928        | 0   | S     | WASHER-DISC SPRING        |
| 82    | 2126        | 0   |       | POST (TC)                 |
| 83    | 9726        | 0   | S     | PLUG-PIPE 1/4 NPT         |
| 84    | 9122        | 0   | S     | PLUG-CAP (RED)            |
| 85    | 9205        | 0   | S     | CLIP-CONNECTOR            |
| 86    | 1900759     | 0   | S     | DECAL-FWD INTERLOCK WIRE  |
|       | GW-1360A    | 0   | S     | OIL (1901964)             |
|       | GW-1901964  | 0   |       | OIL-GEAR 1 QT 140WT       |

12153 HORSE-OPC (11HP) ROTOTILLER  
TILLER ATTACHMENT TRANSMISSION ASSEMBLIES



140wt. Tiller Gear Lube  
#1360A = 2qt.  
#1901964 = 1qt.

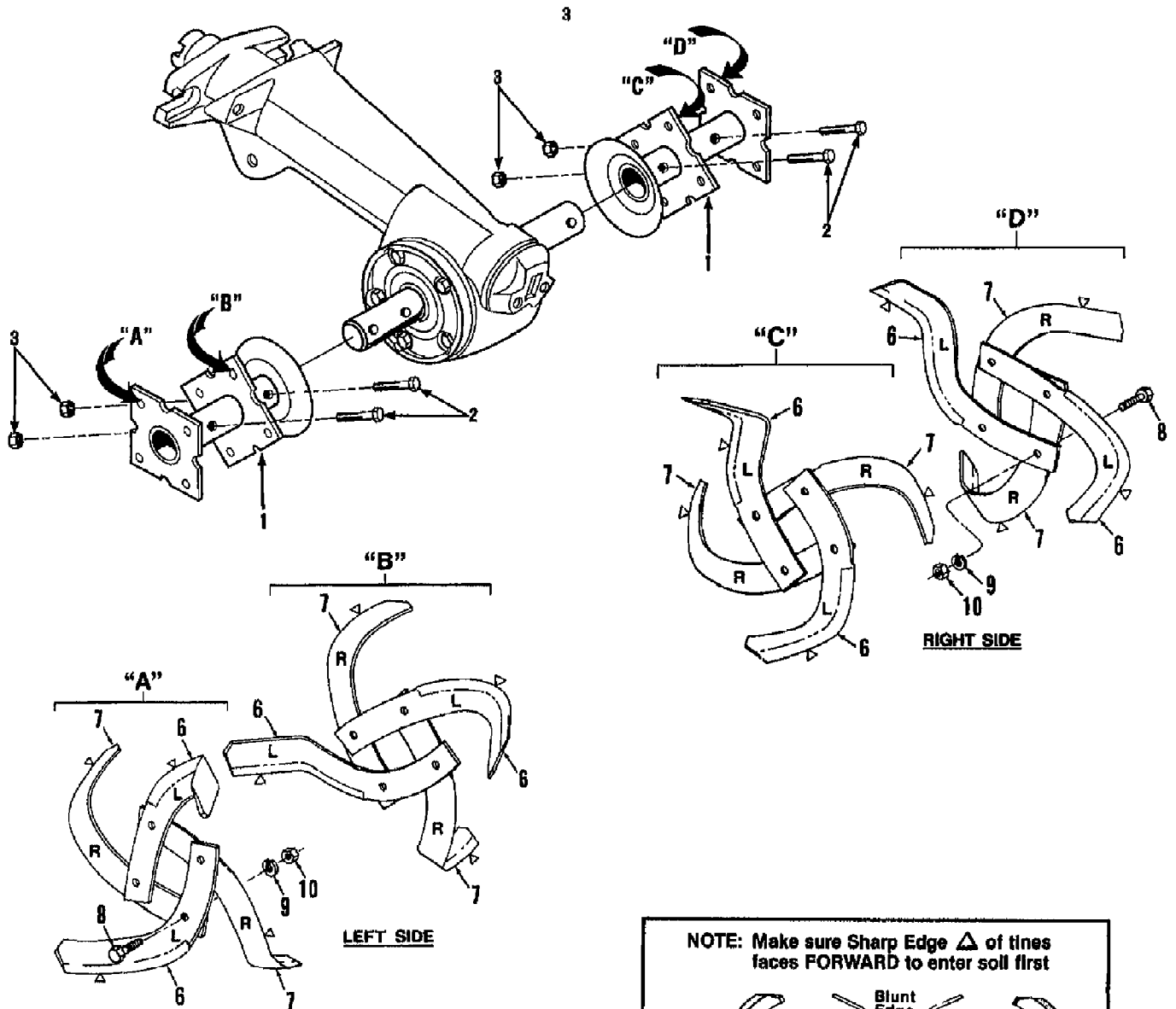


12153 HORSE-OPC (11HP) ROTOTILLER  
TILLER ATTACHMENT TRANSMISSION ASSEMBLIES

Page 17 of 23

| Ref # | Part Number | Qty | S/P/F | Description                  |
|-------|-------------|-----|-------|------------------------------|
| 1     | 1915087     | 0   | /P    | KIT-SEALING SCRS (5)W/LIT    |
| 2     | 20873       | 0   | S     | COVER-TILLER HSG MACH        |
| 3     | 1129-1      | 0   | S     | GASKET-TILLER COVER          |
| 3     | 1129-2      | 0   | S     | GASKET-TILLER COVER          |
| 4     | 1901972     | 0   | S     | SHAFT-TILLER MACH HORSE      |
| 5     | 97074       | 0   | S     | BEARING-BALL                 |
| 6     | 1901976     | 0   | /P    | GEAR-WORM MACH RTH HORSE     |
| 7     | 1104        | 0   | S     | KEY-WOODRUFF .25X1.12        |
| 8     | 97073       | 0   | S     | SEAL-TILLER SHAFT            |
| 9     | 9500        | 0   | S     | RING-RETAIN EXT .707 ID      |
| 10    | GW-2120-1   | 0   | S     | KIT-CLUTCH DOGS TILLER       |
| 10    | 1909138     | 0   | S     | CLUTCH-DOG HORSE TRANS       |
| 11    | 9301        | 0   | S     | KEY-.188 SQX1.0              |
| 12    | 2127        | 0   | S     | SPRING (TC)                  |
| 13    | 1138-1      | 0   | S     | SHIM-1.0X.7656X.062          |
| 14    | 1915089     | 0   | /P    | KIT-SEALING SCRS (3)         |
| 15    | 1900881010  | 0   | S     | CAP-REAR #1115               |
| 16    | 1124-2      | 0   | S     | GASKET-BRG COVER             |
| 17    | 1224-1      | 0   | S     | SHIM-1.75X1.5X.01            |
| 17    | 1224-2      | 0   | S     | SHIM-1.75X1.5X.03            |
| 17    | 1224-3      | 0   | S     | SHIM-1.75X1.5X.005           |
| 17    | 1224-4      | 0   | S     | SHIM-1.75X1.5X.062           |
| 18    | 1714        | 0   | S     | KIT-BRG CONE&RACE-DRIVESHAFT |
| 19    | 11602       | 0   | S     | KIT-TILLER DR SHAFT          |
| 20    | 9617        | 0   | S     | SEAL-OIL DRIVESHAFT          |
| 21    | 9517        | 0   | S     | RING-RETAINING 5000-181      |
| 22    | 1138-1      | 0   | S     | SHIM-1.0X.7656X.062          |
| 23    | 1902000     | 0   | /P    | HOUSING-TILLER W/SLEEVE      |
| 24    | 1909157     | 0   |       | ASSM-DIPSTICK HORSE TRANS    |
|       | GW-1360A    | 0   | S     | OIL (1901964)                |
|       | GW-1901964  | 0   |       | OIL-GEAR 1 QT 140WT          |

12153 HORSE-OPC (11HP) ROTOTILLER  
TINE ASSEMBLIES



**LEGEND**  
 △ = Sharp Edge  
 L = Left Bolo Tine  
 R = Right Bolo Tine

**NOTE: Make sure Sharp Edge △ of tines faces FORWARD to enter soil first**

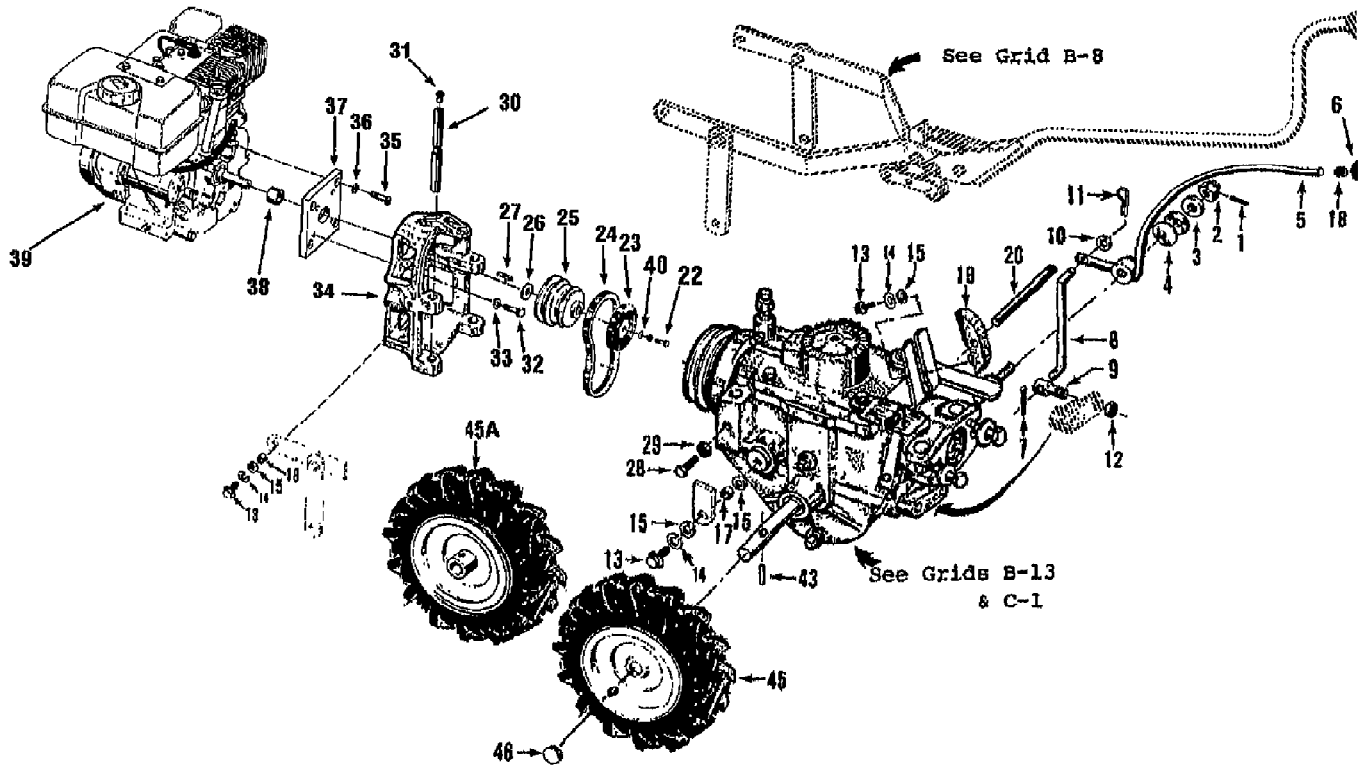
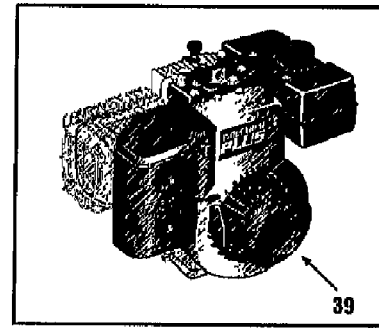
**LEFT HAND TINE      RIGHT HAND TINE**  
 (As viewed with blunt edge facing you.)

12153 HORSE-OPC (11HP) ROTOTILLER  
TINE ASSEMBLIES

Page 19 of 23

| Ref # | Part Number | Qty | S/P/F | Description                                                 |
|-------|-------------|-----|-------|-------------------------------------------------------------|
| 1     | 1901975010  | 0   | S     | HOLDER-TINE HORSE (RED)                                     |
| 2     | GW-9761     | 0   | S     | SCR-HH 3/8-16X2.00 G8                                       |
| 3     | GW-9807     | 0   | S     | NUT-H/LK 3/8-16                                             |
| 4     | 0           | 0   |       | THIS REF. NO. NOT USED                                      |
| 5     | 0           | 0   |       | THIS REF. NO. NOT USED                                      |
| 6     | 1270-1A     | 0   | S     | TINE-BOLO LT W/HDW(INCL. TWO EACH OF REF. NO.'S 8,9 AND 10) |
| 7     | 1270-2A     | 0   | S     | TINE-BOLO RT W/HDW(INCL. SAME HARDWARE AS REF. NO.6)        |
| 8     | GW-9711     | 0   | S     | SCR-HH 3/8-16X1.0 G5 ZP                                     |
| 9     | GW-9913     | 0   | S     | WASHER-LK .375 @ DEPL                                       |
| 10    | GW-9802     | 0   | S     | NUT-HEX 3/8-16 ZP                                           |
|       | 1901118     | 0   | S/F   | TINES-BOLO HORSE/PONY/ECONO                                 |
|       | 10802       | 0   | S/F   | TINES-CUSTOM TILLING                                        |
|       | 2475-1      | 0   | S     | TINE-HARD FACED LT                                          |
|       | 2475-2      | 0   | S     | TINE-HARD FACED RT                                          |
|       | GW-9807     | 0   | S/F   | NUT-H/LK 3/8-16                                             |

12153 HORSE-OPC (11HP) ROTOTILLER  
WHEEL SPEED LEVER, BELT DRIVE, ENGINE & WHEELS



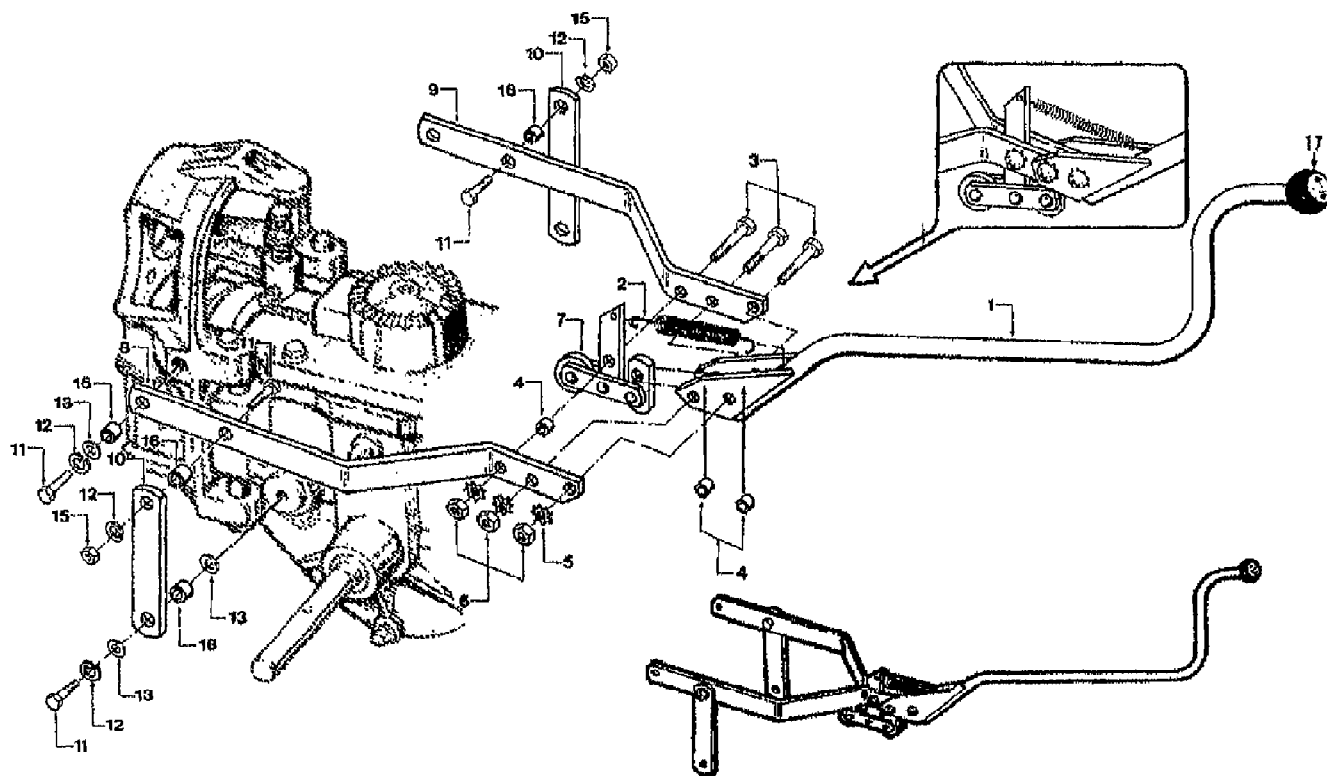
**WHEEL & TIRE ASSY -- Bar Tread**  
**INDIVIDUAL SERVICE PARTS**  
# 1234-1 - TIRE ONLY  
# 2708 - WHEEL RIM ONLY (GREY)

12153 HORSE-OPC (11HP) ROTOTILLER  
WHEEL SPEED LEVER, BELT DRIVE, ENGINE & WHEELS

Page 21 of 23

| Ref # | Part Number | Qty | S/P/F | Description                         |
|-------|-------------|-----|-------|-------------------------------------|
| 1     | 9362        | 0   | S     | PIN-SPRING .125 X 1                 |
| 2     | 9838        | 0   |       | NUT-HEX 1/2-20                      |
| 3     | 9934        | 0   | S     | WASHER-# SHOULDER ZP                |
| 4     | 9932        | 0   | S     | WASHER-# 1.97X1X.118                |
| 5     | 2628        | 0   | S     | LVR-W/KNOB (WHEEL SPEED)            |
| 6     | 1902240     | 0   | /P    | KNOB-WHEEL SPEED HORSE              |
| 7     | 9317        | 0   | S     | PIN-COTTER .094X1.0                 |
| 8     | 1231        | 0   | S     | ROD-CONNECTING                      |
| 9     | 1033        | 0   | S     | SWIVEL                              |
| 10    | GW-9902     | 0   | S     | WASHER-FLAT 5/16 SAE                |
| 11    | 9338        | 0   | S     | PIN-CLIP .08                        |
| 12    | GW-9808     | 0   | S     | NUT-H/LK 5/16-18                    |
| 13    | GW-9710     | 0   | S     | SCR-HH 3/8-16X1.0 G5 ZP             |
| 14    | GW-9913     | 0   | S     | WASHER-LK .375 @ DEPL               |
| 15    | 9904        | 0   | S     | WASHER-FLAT 3/8 SAE                 |
| 16    | 2146        | 0   | S     | BUSHING-.5X.375X.325                |
| 17    | 1113-1      | 0   | S     | BUSHING-.5X.375X.3                  |
| 18    | 9120        | 0   | S     | RING-TOLERANCE .5325 ID             |
| 19    | 1920        | 0   | S     | KIT-ADJ BLOCK 4 SP                  |
| 20    | 2100        | 0   | S     | BAR-ADJUST                          |
| 21    | 1900766     | 0   |       | DECAL-STARTING STABIL               |
| 22    | 1100012     | 0   | /P    | SCR-HH 3/8-24X1.75 ZP               |
| 40    | GW-9903     | 0   | S     | WASHER-1.0X.438X.104 ZP             |
| 23    | 1919        | 0   | S     | KIT-ADJ BLOCK/REV DISC              |
| 23    | GW-2111     | 0   | S     | DISC-REV                            |
| 24    | 9245        | 0   | S     | BELT-V                              |
| 25    | GW-2357     | 0   |       | PULLEY-ENG MACH U-HAUL              |
| 26    | 1166-1      | 0   | S     | SHIM-1.375X1.015X.062               |
| 26    | 1166-2      | 0   | S     | SHIM-1.375X1.015X.03                |
| 27    | GW-9326     | 0   | /P    | KEY-.25 SQ X 1.25                   |
| 28    | GW-90008    | 0   | S     | SCR-HH 5/16-18X1.0 G5 ZP            |
| 29    | GW-9801     | 0   | S     | NUT-HEX 5/16-18 ZP                  |
| 30    | 1900836     | 0   | S     | PIN-MOTOR MOUNT STAINLESS           |
| 31    | 9147        | 0   | S     | PLUG-CAP (RED)                      |
| 32    | 9572        | 0   | S     | BOLT-HH 5/16-24X1.125 G5 ZP         |
| 33    | GW-9912     | 0   | S     | WASHER-LK .312 ZP                   |
| 34    | 2565        | 0   | S     | MOUNT-MOTOR HSE OPC PNT             |
| 35    | 1100004     | 0   | S     | SCR-HH 5/16-24X.75 G5 ZP            |
| 36    | 1177548     | 0   | S     | WASHER-LK .312 EXT TOOTH            |
| 37    | GW-2677     | 0   |       | PLATE-ADAPTER 11HP PNT              |
| 38    | GW-2660     | 0   |       | SPACER-1.25X1.001X.75               |
| 39    | 12153       | 0   |       | TILLER-11 EL-BMP,H/F&WHL WTS        |
| 39    | GW-1904192  | 0   |       | KIT-ENG 11HP EL B&S                 |
| 39    | 12153       | 0   |       | TILLER-11 EL-BMP,H/F&WHL WTS        |
| 39    | GW-1915356  | 0   |       | ENG-11HP B&S ELC                    |
| 43    | 9322        | 0   | S     | PIN-SPIROL .313 X 1.5               |
| 45    | 2709-01     | 0   | S     | ASSM-TIRE&WHEEL LH GRAY             |
| 45A   | 2709-02     | 0   | S     | ASSM-TIRE&WHEEL RH GRAY             |
| 46    | 1902020     | 0   | /P    | CAP-HUB BLK PLASTIC                 |
|       | GW-1234-1   | 0   | S     | TIRE-BTT 4.80/4.00X8.00 (TIRE ONLY) |
|       | GW-2708     | 0   |       | RIM-WHEEL 8" GRAY (WHEEL RIM ONLY)  |

12153 HORSE-OPC (11HP) ROTOTILLER  
WHEELS/TINES/PTO DRIVE LEVER ASSEMBLY



12153 HORSE-OPC (11HP) ROTOTILLER  
WHEELS/TINES/PTO DRIVE LEVER ASSEMBLY

Page 23 of 23

| Ref # | Part Number | Qty | S/P/F | Description                                  |
|-------|-------------|-----|-------|----------------------------------------------|
| 1     | 2574        | 0   | S     | ASSM-FOR/REV LEVER (INCL. KNOB W/DECAL)      |
| 2     | 1908156     | 0   | /P    | SPRING-.436 X 3.25                           |
| 3     | GW-9466     | 0   | S     | SCR-HH 5/16-18X1.5 G5 ZP                     |
| 4     | 2447        | 0   | S     | BUSHING-.5X.316X.375 PM                      |
| 5     | GW-9919     | 0   | S     | WASHER-LK .312 EXT TOOTH                     |
| 6     | GW-9801     | 0   | S     | NUT-HEX 5/16-18 ZP                           |
| 7     | 2232        | 0   | S     | ASSM-ROLLER PAINT                            |
| 8     | 1900468010  | 0   | /P    | YOKE-LH RED                                  |
| 9     | 1900469010  | 0   | S     | YOKE-RH RED                                  |
| 10    | 1900860010  | 0   | S     | YOKE-RED 2164                                |
| 11    | GW-9710     | 0   | S     | SCR-HH 3/8-16X1.0 G5 ZP                      |
| 12    | GW-9913     | 0   | S     | WASHER-LK .375 @ DEPL                        |
| 13    | 9904        | 0   | S     | WASHER-FLAT 3/8 SAE                          |
| 14    | 0           | 0   |       | THIS REF. NO. NOT USED                       |
| 15    | GW-9802     | 0   | S     | NUT-HEX 3/8-16 ZP                            |
| 16    | 1113-1      | 0   | S     | BUSHING-.5X.375X.3 (.300")                   |
| 17    | 0           | 0   |       | KNOB - NOT AVAIL. SEPARATELY. SEE REF. NO. 1 |