

LEGEND:  
 △ = Sharp Edge  
 L = Left Bolo Tine  
 R = Right Bolo Tine

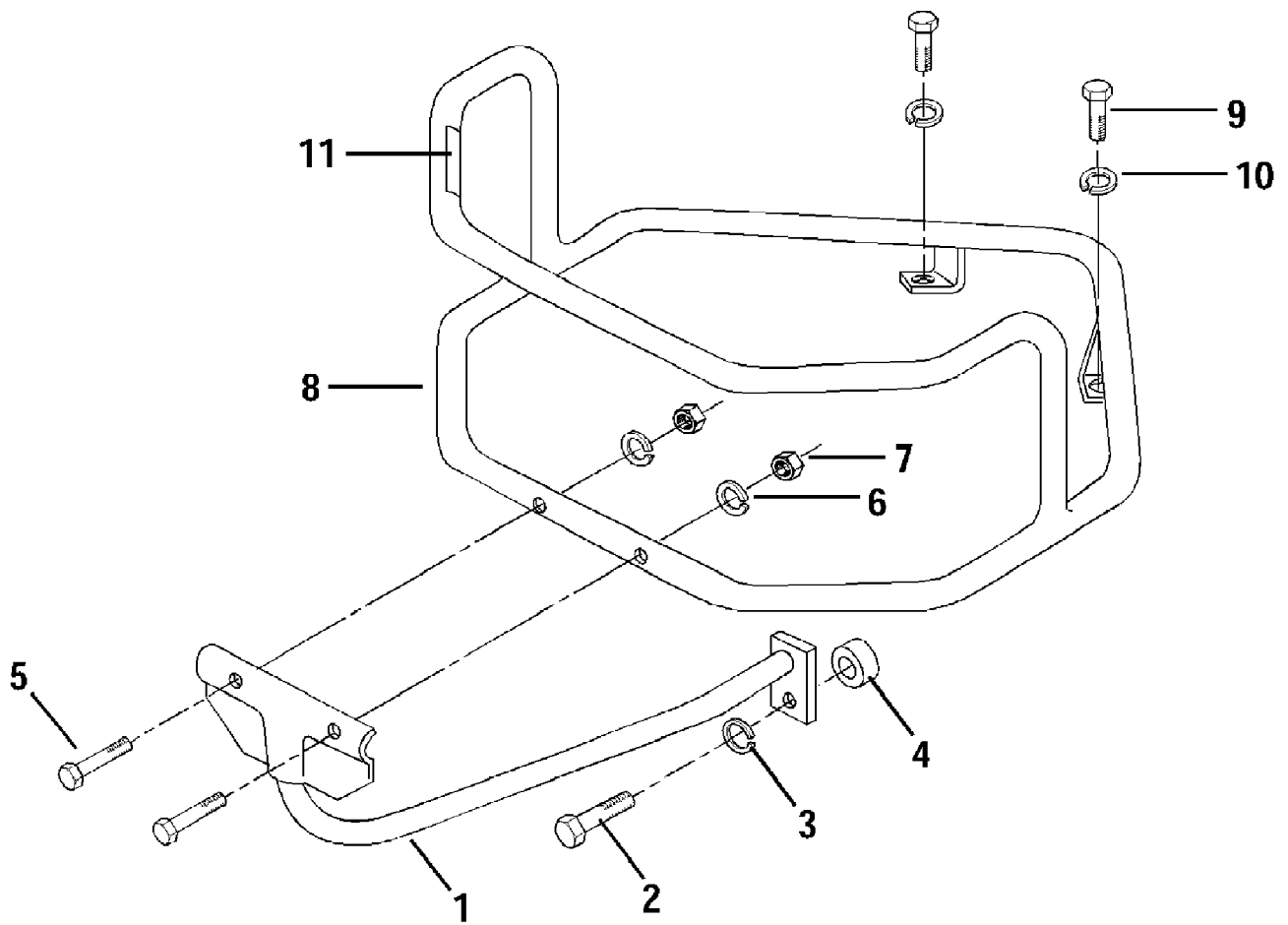
**NOTE: Make sure Sharp Edge △ of tines faces FORWARD to enter soil first**

**LEFT HAND TINE      RIGHT HAND TINE**  
 (As viewed with blunt edge facing you.)

12090 - 8HP Electric PTO Horse Tiller  
Bolo Tine Assemblies

Page 2 of 23

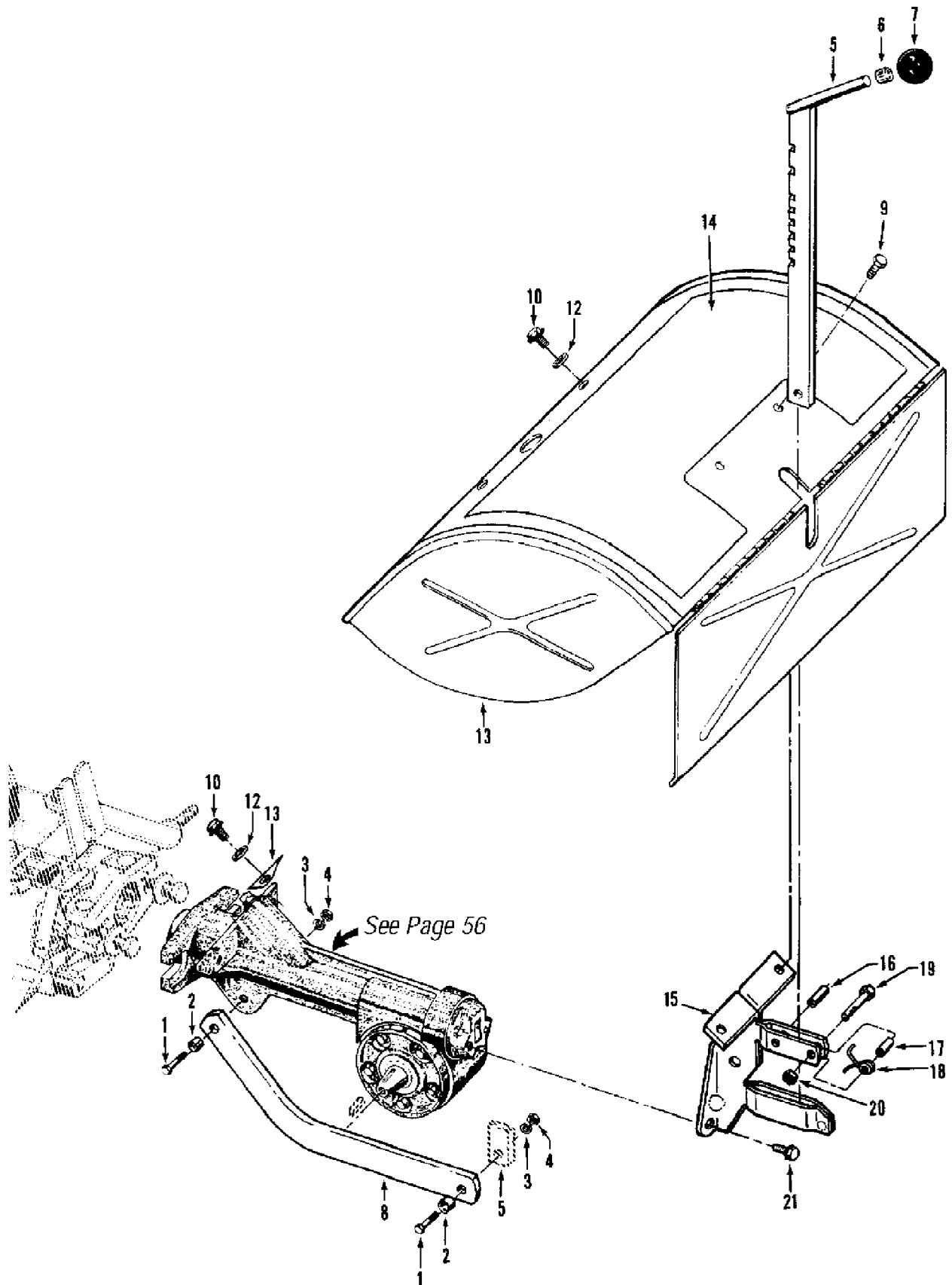
| Ref # | Part Number | Qty | S/P/F | Description  |
|-------|-------------|-----|-------|--|
| 1     | 1901975001  | 2   | S     | Tine Holder-welded steel, fits left or right sides   |
| 2     | 1982612     | 4   | S     | Bolt-hex hd., 3/8-16 x 2"  |
| 3     |             | 1   |       | UNKNOWN  |
| 6     | 1270-1A     | 8   | S     | Bolo Tine-single, left hand Used on left and right side tine assy. Tine is stamped either "EL" or "AL". ; (Incl. two each of Ref. No.'s 8 and 10)                  |
| 7     | 1270-2A     | 8   | S     | Bolo Tine-single, right hand Used on left and right side tine assy. Tine is stamped either "ER" or "AR".; Incl. same hardware as Ref. No. 6)                       |
| 8     | 1100046     | 16  | S     | Bolt-hex hd., 3/8-16 x 1"  |
| 10    | 1110108     | 20  | S     | Locknut-hex, 3/8"-16   |
|       | 1901118     | 1   | S/F   | Tine Replacement Kit-unassembled (Incl. eight each of Ref. No.'s 6, and 7, sixteen each of Ref. No.'s 8 and 10). Includes easy-to-follow installation instruction. |
|       | 10802       | 1   | S     | Custom Tilling Tine Kit (Incl. eight each of Part #2475-1 and #2475-2 tines and sixteen each of Ref. No.'s 8 and 10  |
|       | 2475-1      | 8   | S     | Bolo Tine, Custom Tilling-single, left hand  |
|       | 2475-2      | 8   | S     | Bolo Tine, Custom Tilling-single, right hand   |



12090 - 8HP Electric PTO Horse Tiller  
Bumper Attachment

Page 4 of 23

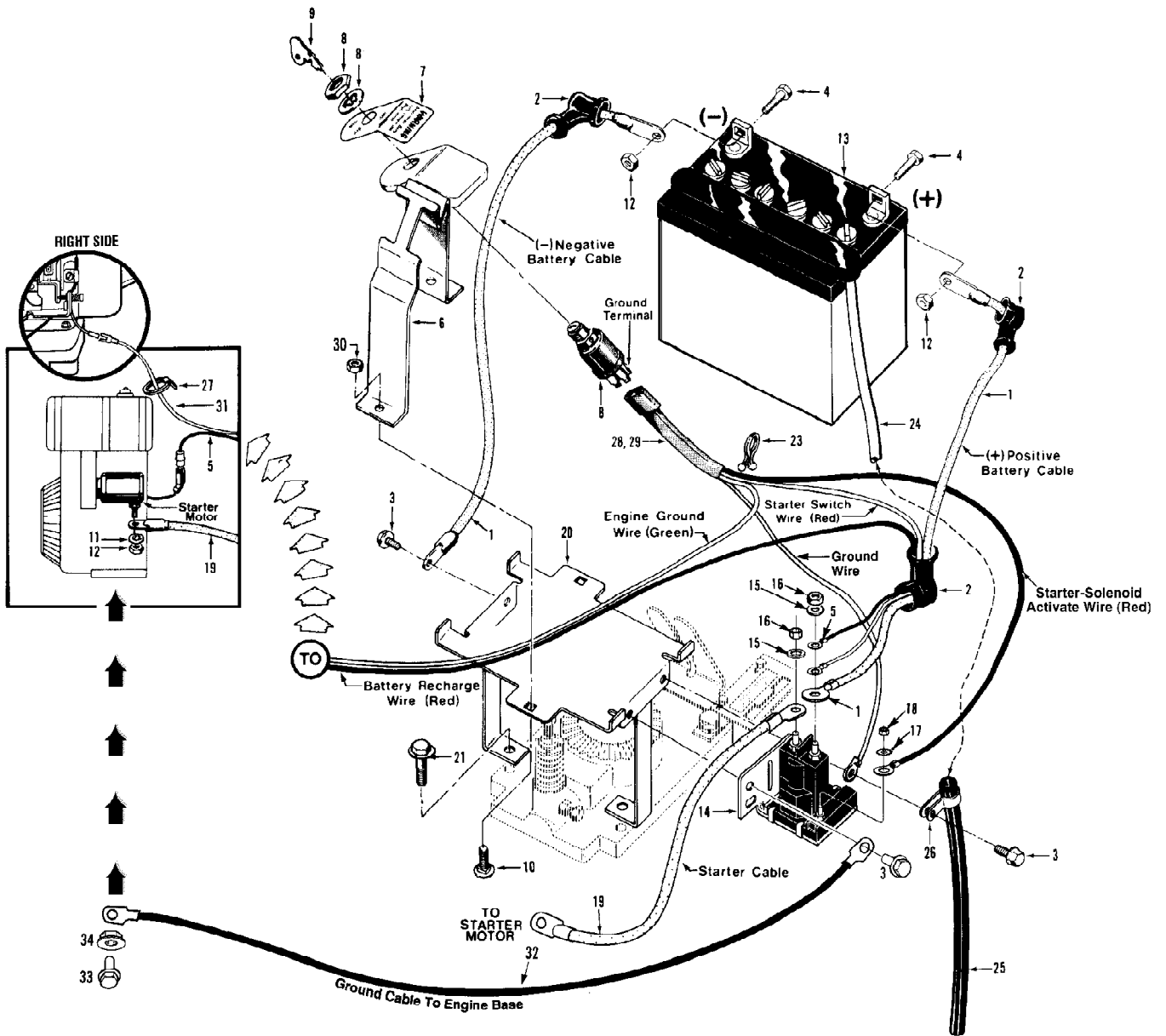
| Ref # | Part Number | Qty | S/P/F | Description   |
|-------|-------------|-----|-------|---|
|       | GW-12588    | 1   |       | Bumper Attachment. Includes Ref. Nos. 1 through 11) |
| 1     | 1910730001  | 1   | /P    | Brace - bumper bottom                               |
| 2     | 1909765     | 1   | S     | Bolt - hex hd., 1/2-13 x 1-1/2"                     |
| 3     | 1100245     | 1   | S     | Lockwasher - spring lock, 1/2"                      |
| 4     | 1909748     | 1   | /P    | Spacer, 1/2"  |
| 5     | 1100799     | 2   | S     | Bolt - hex hd., 5/16-18 x 1-1/2"                    |
| 6     | 1100242     | 2   | S     | Lockwasher - spring lock, 5/16"                     |
| 7     | 1186230     | 2   | S     | Nut - hex, 5/16"-18                                 |
| 8     | 1910731001  | 1   | /P    | Bumper wraparound                                   |
| 9     | 1100046     | 2   | S     | Bolt - hex hd., 3/8-16 x 1"                         |
| 10    | 1100243     | 2   | S     | Lockwasher - spring lock, 3/8"                      |
| 11    | 1448        | 1   | S     | Decal - for bumper                                  |



12090 - 8HP Electric PTO Horse Tiller  
Depth Regulator & Tine Hood Assemblies

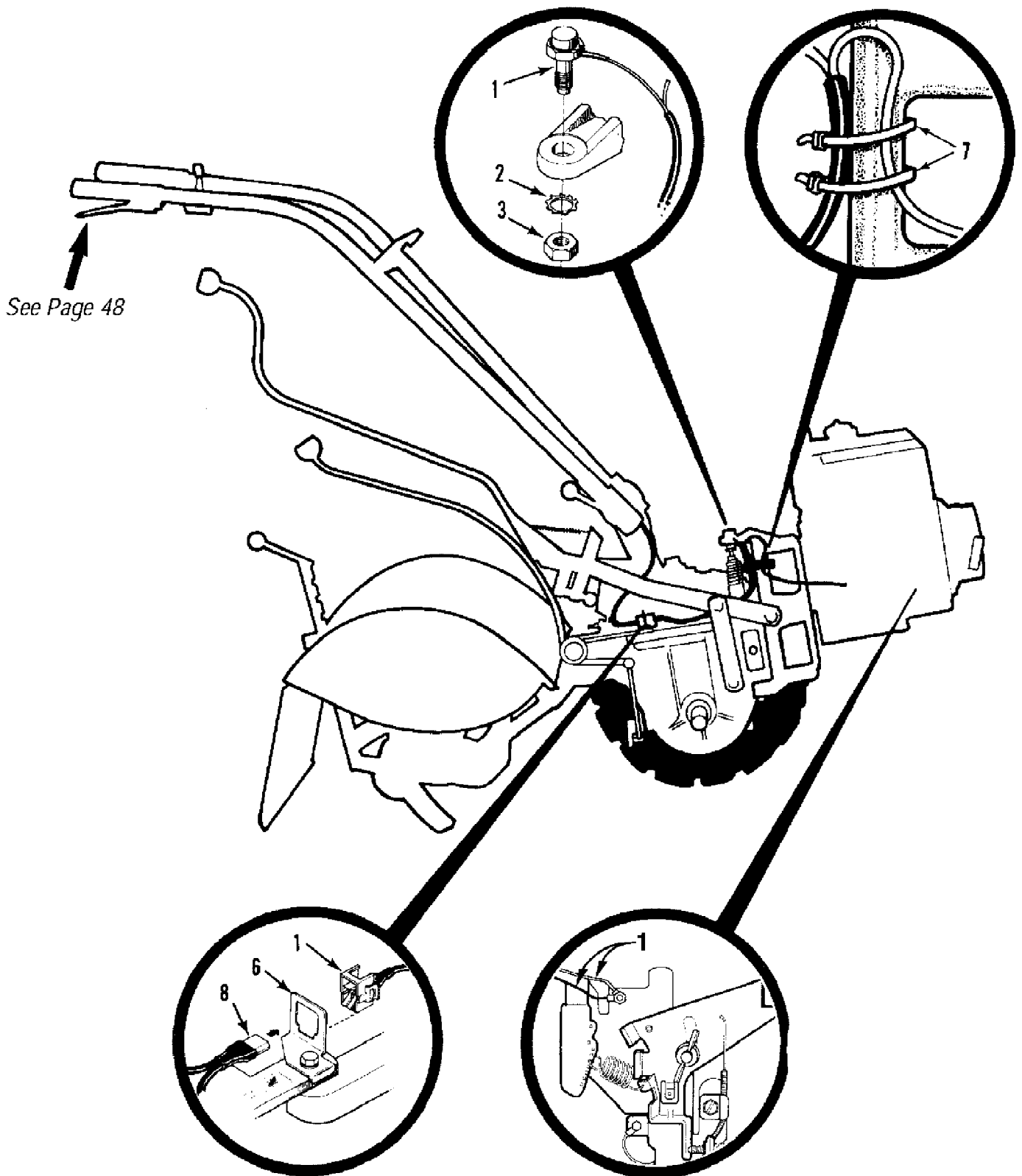
Page 6 of 23

| Ref # | Part Number | Qty | S/P/F | Description                                    |
|-------|-------------|-----|-------|--|
| 1     | 1100043     | 2   | S     | Bolt-hex hd., 3/8-16 x 1-1/4"                  |
| 2     | 1113-1      | 2   | S     | Bushing-19/64" (.300" lg.)                     |
| 3     | 1100243     | 2   | S     | Lockwasher-spring lock, 3/8"                   |
| 4     | 1186231     | 2   | S     | Nut-hex, 3/8"-16                               |
| 5     | 1117A       | 1   | S     | Bar-depth regulator (Incl. Ref. No.'s 6 and 7) |
| 6     | 9120        | 1   | S     | Ring-retaining                                 |
| 7     | 9119        | 1   | S     | Knob-depth regulator (Incl. Ref. No. 6)        |
| 8     | 1900867001  | 1   | /P    | Bar-drag, depth regulator                      |
| 9     | 9552        | 2   | S     | Screw-thread-forming, 1/4-20 x 1/2"            |
| 10    | 1186329     | 2   | S     | Bolt-flanged hex hd., 5/16-18 x 3/4"           |
| 12    | 9929        | 2   | S     | Washer-flat, 5/16"                             |
| 13    | 1904563     | 1   | /P    | Hood (Incl. Ref. No. 14)                       |
| 14    | 1904543     | 1   | /P    | Decal-hood, operating instructions             |
| 15    | 2527        | 1   | S     | Bracket (Incl. Ref. No. 16)                    |
| 16    | 9308        | 1   | S     | Pin-roll (spirol) 1/4" x 1"                    |
| 17    | 9534        | 1   | S     | Spacer   |
| 18    | 9384        | 1   | S     | Spring   |
| 19    | 1100069     | 1   | S     | Bolt-hex hd., 1/4-20x1"                        |
| 20    | GW-9811     | 1   | S     | Locknut-1/4"-20                                |
| 21    | 1186328     | 2   | S     | Bolt-flanged hex hd., 5/16-18 x 5/8"           |



| Ref # | Part Number | Qty | S/P/F | Description   |
|-------|-------------|-----|-------|---|
| 1     | 96515       | 2   | S     | Cable-battery, positive and negative terminals  |
| 2     | 97020       | 3   | S     | Boot-terminal insulating  |
| 3     | 9552        | 3   | S     | Screw-self-threading, 1/4-20 x 1/2"   |
| 4     | 1186309     | 2   | /P    | Bolt-hex hd., 1/4-20 x 5/8"   |
| 5     | 1901894     | 1   | /P    | Wire-recharge (red) for Briggs and Stratton engine (Incl. terminal and eyelet)  |
| 6     | 1904564     | 1   | S     | Battery Hold-down Clamp-with attached Key Switch Plate (Incl. Ref. No. 7)   |
| 7     | 1904548     | 1   | S     | Decal-ignition switch instruc   |
| 8     | 1908112     | 1   | S     | Key Switch Includes two ignition keys (Ref. No. 9), one lockwasher, and one mounting nut (lock-washer and nut not available separately)   |
| 9     | 96520       | 1   | S     | Key-ignition, one pair  |
| 10    | GW-9566     | 2   | S     | Bolt-carriage, 1/4-20 x 1-1/4"  |
| 11    | 1100241     | 2   | S     | Lockwasher-spring lock, 1/4"  |
| 12    | 1186229     | 4   | S     | Nut-hex, 1/4"-20  |
| 13    | GW-9092B    | 1   | S     | Battery-12 volt, 30 amps., side-vented. (Incl. Ref. No. 24, 4, 12)  |
| 14    | 96514       | 1   | S     | Solenoid-starter Includes nuts and washers for cables and wires   |
| 15    | 1100242     | 2   | S     | Lockwasher-5/16"  |
| 16    | 1186211     | 2   | /P    | Nut-hex, 5/16"-24   |
| 17    | 1187559     | 1   |       | Lockwasher-external tooth, #10  |
| 18    | 1186208     | 1   | /P    | Nut-hex, #10-32   |
| 19    | 96510       | 1   | S     | Cable-solenoid to starter motor   |
| 20    | 2571        | 1   | S     | Battery Bracket   |
| 21    | 1186349     | 2   | /P    | Bolt-flanged hex hd., 3/8-16 x 1-1/2"   |
| 23    | 9265        | 1   | S     | Tie-plastic, wire retaining   |
| 24    | 9009        | 1   | S     | Vent Tube-5/16" diameter  |
| 25    | 1475        | 1   |       | Shield-vent tube, 1/2" diameter   |
| 26    | 9224        | 1   |       | Clamp-vent tube shield  |
| 27    | 9202        | 2   | S     | Tie-plastic   |
| 28    | 1908118     | 1   | S/F   | Wire Harness & Connecting Terminal Assy-for Briggs & Stratton engines (Available as complete assembly only)   |
| 29    | 1908117     | 1   |       | Wire Harness-for Kohler engine. Incl. two receptacles; three red wires (solenoid activate, battery recharge, and starter switch); two green (ground)(shutoff) wires; plastic harness tube |
| 30    | 1186389     | 2   | /P    | Locknut-hex, 1/4"-20  |
| 31    |             | 1   |       | UNKNOWN   |
| 32    | 1901202     | 1   | /P    | Cable-ground, solenoid to engine block  |
| 33    | 1186331     | 1   | S     | Bolt-flange lock, 5/16-18 x 1"  |
| 34    | 1186391     | 1   | S     | Nut-flange lock, 5/16"-18   |
| ?35   | 1917269     | 1   |       | Ground Wire Assembly  |



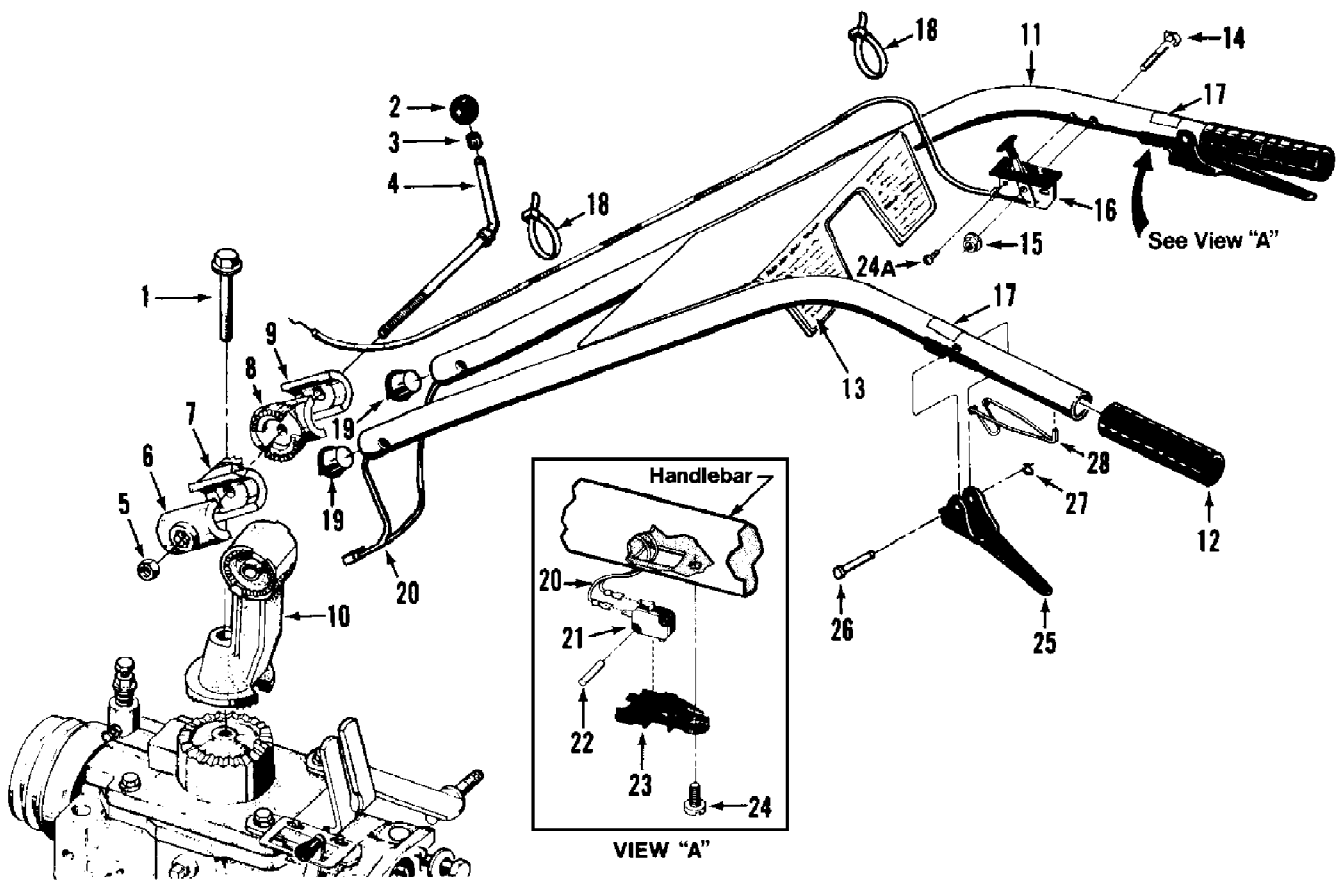


12090 - 8HP Electric PTO Horse Tiller  
Forward Interlock System

Page 10 of 23

| Ref # | Part Number | Qty | S/P/F | Description   |
|-------|-------------|-----|-------|---|
| 1     | 2552        | 1   | S     | Engine Wire Harness Assy-forward interlock system (Incl. one red and one black wire, plug connector, neutral switch and PVC tubing. Parts not available separately) |
| 2     | 9971        | 1   | S     | Lockwasher-external tooth, 7/16"  |
| 3     | 1186246     | 1   | /P    | Nut-hex, 7/16"-20   |
| 6     | 9205        | 1   | S     | Clip-for plug connector   |
| 7     | 9202        | 1   | S     | Tie-plastic   |
| 8     | 2551        | 1   | S     | Handlebar Wire Harness Assy (See "Handlebar Assembly" Ref. No. 20 illustration and parts list)  |

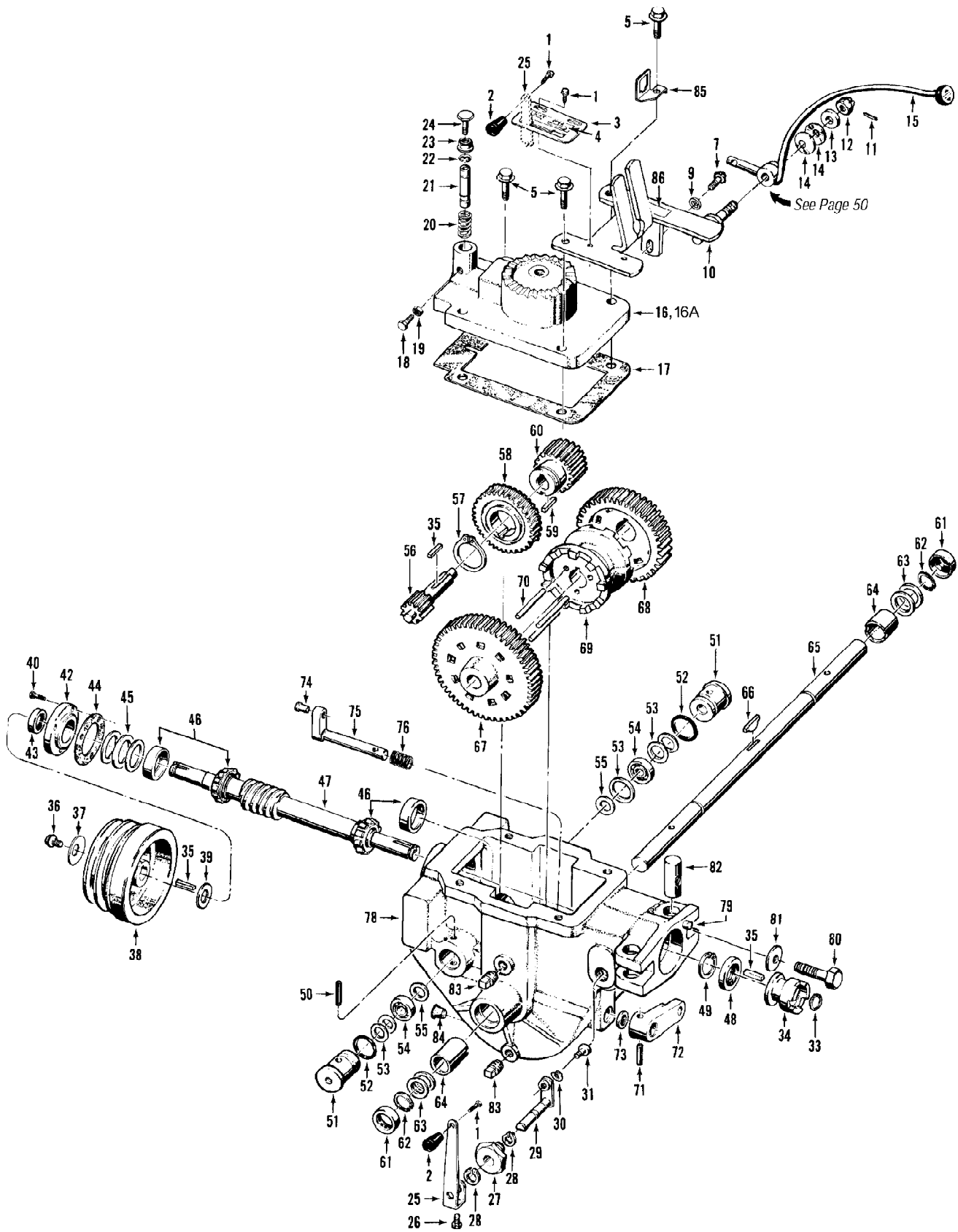
12090 - 8HP Electric PTO Horse Tiller  
Handlebar Assembly



12090 - 8HP Electric PTO Horse Tiller  
Handlebar Assembly

Page 12 of 23

| Ref # | Part Number   | Qty | S/P/F | Description  |
|-------|---------------|-----|-------|--|
| 1     | 9548          | 1   | S     | Bolt-Hex hd., flanged self-locking Grade 5, 1/2-13 x 3-1/2"                        |
| 2     | 9119          | 1   | S     | Knob-handlebar height adjustment (Incl. Ref. No. 3)                                |
| 3     | 9120          | 1   | S     | Ring-retaining (tolerance ring)  |
| 4     | 1881          | 1   | S     | Stud-handlebar height adjustment (Incl. Ref. No.'s 2, 3 and 5)                     |
| 5     | 1186233       | 1   | S     | Nut-hex, 1/2"-13   |
| 6     | GW-1900854001 | 1   |       | Clamp-left, handlebar height adjustment  |
| 7     | 1900856001    | 1   |       | Ratchet-left, handlebar height adjustment  |
| 8     | 1900857001    | 1   | /P    | Ratchet-right, handlebar height adjustment   |
| 9     | 1900855001    | 1   |       | Clamp-right, handlebar height adjustment   |
| 10    | 1900858001    | 1   | S     | Base-handlebar mounting  |
| 11    | 2704          | 1   | S     | Handlebars (Includes two of each Ref. Nos. 12, 17 and 28 and one Ref. No. 13)      |
| 12    | 9125          | 2   | S     | Grip-handlebars  |
| 13    | 2715          | 1   | S     | Decal-operator control panel   |
| 14    | 9547          | 1   | S     | Bolt-curved hd, GR5, 1/4-20 x 2"   |
| 15    | 1186389       | 1   | /P    | Nut-hex, flanged self-locking, whiz lock, 1/4"-20                                  |
| 16    |               | 1   |       | UNKNOWN  |
| ?16A  | 1909286       | 1   | S     | Throttle Control & Cable-8HP Briggs & Stratton engine only (also see Ref. No. 24A) |
| ?16B  | 9650          | 1   |       | Throttle Control & Cable-8HP Kohler engine only                                    |
| 17    | 1900763       | 2   |       | Decal-Forward Interlock Lever  |
| 18    | 9202          | 2   | S     | Tie-plastic  |
| 19    | 9219          | 2   | S     | Plug-wire harness retainer   |
| 20    | 2551          | 1   | S     | Handlebar Wire Harness Assy-forward interlock system                               |
| 21    | 9250          | 2   | S     | Handlebar Switch-forward interlock system  |
| 22    | 9385          | 2   | S     | Lock Pin-handlebar switch  |
| 23    | 2543          | 2   | S     | Switch Housing-handlebar switch  |
| 24    | 1186009       | 2   | /P    | Screw-pan head, 10-24 x 1/2", thread-forming                                       |
| 24A   | 9733          | 1   | S     | Screw-phillips head, 10-32 x 1/2", thread-forming                                  |
| 25    | 2546          | 2   | S     | Lever-forward interlock  |
| 26    | 9199          | 2   | S     | Pivot Pin-forward interlock lever  |
| 27    | 9514          | 2   | S     | Retaining Ring-clip ring-forward interlock lever                                   |
| 28    | 9387          | 2   | S     | Return Spring-fwd interlock lever  |



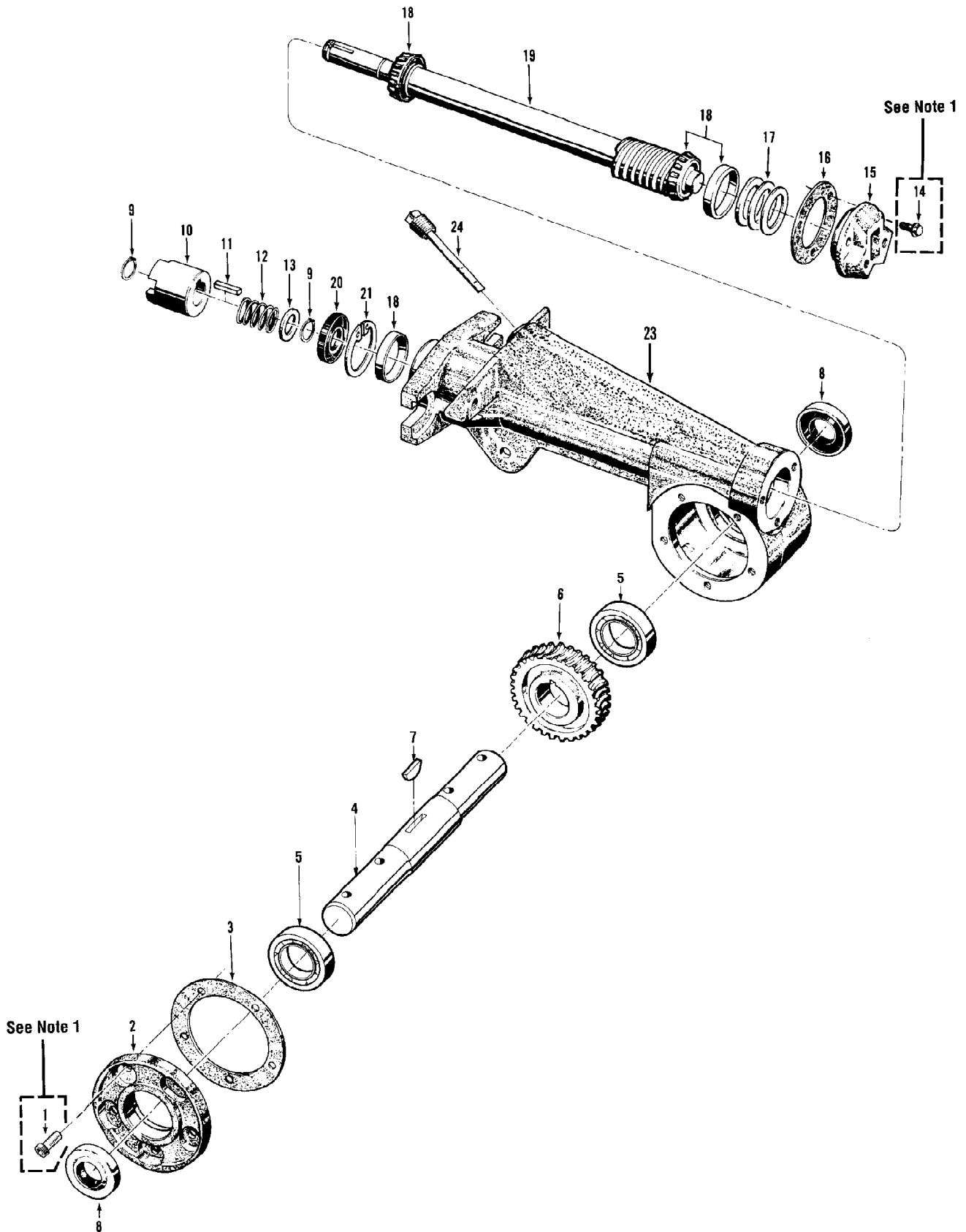
| Ref # | Part Number | Qty | S/P/F | Description   |
|-------|-------------|-----|-------|---|
| 1     | 1186299     | 3   | S     | Bolt-hex hd., #10-32 x 3/8", self-locking flange  |
| 2     | 9463        | 1   | S     | Knob-tines/PTO clutch lever, tapered, plastic   |
| 3     | 2263        | 1   | S     | Detent Plate-tines/PTO clutch lever (Incl. Ref. No. 4)  |
| 4     | 1900758     | 1   | S     | Decal-operating instructions, detent plate  |
| 5     | 1186347     | 4   | S     | Bolt-flanged hex hd., 3/8-16 x 1-1/2"   |
| 7     | 1186329     | 1   | S     | Bolt-flanged hex hd., 5/16-18 x 3/4", Grade 5   |
| 9     | 1107382     | 1   | /P    | Washer-flat, 5/16", S.A.E.  |
| 10    | 1900870001  | 1   | /P    | Bracket-shift levers (Incl. Ref. No. 86)  |
| 11    | 9362        | 1   | S     | Pin-spring, 1/8"  |
| 12    | 9838        | 1   | F     | Nut-castle (slotted), 1/2"-20,  |
| 13    | 9934        | 1   | S     | Washer-shoulder, 1/2"   |
| 14    | 9932        | 2   | S     | Washer-disc spring  |
| 15    |             | 1   |       | Lever-wheel speed shift (See "Wheel Speed Lever, Belt Drive System, Engines, Wheels", Ref. No. 5 for part number illustration and parts list) |
| 16    | 1900869001  | 1   | /P    | Cover-power unit transmission   |
| 16A   | 2566        | 1   | S     | Cover-power unit transmission (Incl. Ref. No.'s 18, 19, 20, 21, 22, 23 and 24)  |
| 17    | 1123        | 1   | S     | Gasket-transmission cover   |
| 18    | 1100045     | 1   | S     | Bolt-hex hd., 5/16-18 x 1", Grade 5, (Remove with care)   |
| 19    | 1186230     | 1   | S     | Nut-hex, 5/16"-18   |
| 20    | 1901439     | 1   | /P    | Spring-neutral plunger (Remove with care)   |
| 21    | 1035        | 1   | S     | Plunger-neutral (Remove with care); (Incl. Ref. No. 22)   |
| 22    | 1901440     | 1   | /P    | Clip Ring-retains neutral plunger   |
| 23    | 1186393     | 1   | /P    | Nut-hex, flange locknut, 3/8"-16  |
| 24    | 1902004     | 1   | /P    | Bolt-hex hd., 3/8-16x1-1/2", threaded full length   |
| 25    | 1900878001  | 1   | S     | Lever-eccentric, tines/PTO clutch. (Also see Ref. No.'s 1, 2, 3 and 4 listed above)   |
| 26    | 1100804     | 1   | S     | Bolt-hex hd., 1/4-20 x 1/2"   |
| 27    | 2123        | 1   | S     | Bushing-tines/PTO clutch lever eccentric shaft  |
| 28    | 9516        | 2   | S     | Retaining Ring-(snap ring), external  |
| 29    | 2461        | 1   | S     | Eccentric-shaft, tines/PTO clutch lever   |
| 30    | 9911        | 1   | S     | Lockwasher-hi-collar, 1/4"  |
| 31    | 9672        | 1   | S     | Screw-socket hd., 1/4-20 x 3/8"   |
| 33    | 9500        | 1   | S     | Retaining Ring-external   |
| 34    | 1909139     | 1   | S     | Dog Clutch-power unit   |
| 35    | 9301        | 3   | S     | Key-3/16 sq. x 1"   |
| 36    | 1100004     | 1   | S     | Bolt-hex hd., 5/16-24 x 3/4", self-locking flange, Grade 5  |
| 37    | 9944        | 1   | S     | Washer-disc spring (concave)  |
| 38    | 2107        | 1   | S     | Pulley-transmission drive, cast iron  |
| 39    | 50027       | 1   | S     | Washer-flat, hardened shoulder 1-1/4"   |
| 40    | 1186310     | 3   | /P    | Bolt-hex hd., 1/4-20 x 3/4", front bearing cap  |

| Ref # | Part Number   | Qty | S/P/F | Description  |
|-------|---------------|-----|-------|--|
| 42    | GW-1900879001 | 1   |       | Cap-front bearing  |
| 43    | 1983632       | 1   | S     | Seal-oil, front bearing cap  |
| 44    | 1124-2        | 1   | S     | Gasket-front bearing cap   |
| 45    | 1224-1        | A/R | S     | Shim-front bearing cap, .010" thick  |
| 45    | 1224-2        | A/R | S     | Shim-as above, .030"   |
| 45    | 1224-3        | A/R | S     | Shim-as above, .005"   |
| 45    | 1224-4        | A/R | S     | Shim-as above, .062"   |
| 46    | 1714          | 2   | S     | Bearing & Cup-tapered cone roller bearing with cup (race). Cone and cup sold as set only   |
| 47    | 11601         | 1   |       | Shaft-main drive, power unit. Incl. integral worm, plus two pressed-on cone roller bearings, two bearing cups and two shoulder washers                 |
| 48    | 9617          | 1   | S     | Seal-oil, drive shaft, rear  |
| 49    | 9517          | 1   | S     | Retaining Ring-(snap ring), internal   |
| 50    | 9309          | 2   | S     | Pin-roll (spirol), 1/4 x 2"  |
| 51    | 1060A         | 2   | S     | Plug-retaining, pinion bearing (Incl. Ref. No. 52)   |
| 52    | 9604          | 2   | S     | O-Ring-retaining plug  |
| 53    | 1132-1        | A/R | S     | Shim-retaining plug, 1-1/64" inner dia., .033" thick (On right side only one #1132-1 shim is also used between bearing and washer, Ref. No.'s 54 & 55) |
| 53    | 1132-2        | A/R | S     | Shim-same as 1132-1, .062"   |
| 53    | 1132-3        | A/R | S     | Shim-same as 1132-1, .010"   |
| 54    | 9404          | 2   | S     | Bearing-ball, pinion shaft   |
| 55    | 1126          | 2   | S     | Washer-pinion shaft  |
| 56    | 1222          | 1   | S     | Stem Pinion-slow speed gear & shaft  |
| 57    | 9502          | 1   | S     | Ring-retaining, external   |
| 58    | 2656          | 1   | S     | Worm Gear-bronze, wheel drive  |
| 59    | 9300          | 1   | S     | Key-3/16" x 5/8"   |
| 60    | 1233          | 1   | S     | Gear-fast speed pinion   |
| 61    | 9621          | 2   | S     | Seal-oil, wheel shaft  |
| 62    | 9511          | 2   | S     | Retaining ring-external  |
| 63    | 1166-1        | A/R | S     | Shim-wheel shaft, 1-1/64" inner dia., .062" thick  |
| 63    | 1166-2        | A/R | S     | Shim-as above, .030" thick   |
| 63    | 1166-3        | A/R | S     | Shim-as above, .015" thick   |
| 63    | 1166-4        | A/R | S     | Shim-as above, .010" thick   |
| 63    | 1166-5        | A/R | S     | Shim-same as above, .005" thick  |
| 64    | 1086          | 2   | S     | Bushing-bronze, wheel shaft bearing  |
| 65    | 1878          | 1   | S     | Shaft-wheel, 15-5/8", (Incl. two of Ref. No. 62 and one Ref. No. 66)   |
| 66    | 9357          | 1   | S     | Key-Hi Pro, 1/4" x 1-3/4"  |
| 67    | 1223          | 1   | S     | Gear-slow speed, wheel drive   |
| 68    | 1232          | 1   | S     | Gear-fast speed, wheel drive   |
| 69    | 1237          | 1   | S     | Dog Clutch-wheel drive   |
| 70    | 1112          | 3   | S     | Pin-clutch guide, 1/4" diameter  |
| 71    | 9307          | 1   | S     | Pin-roll, 3/16" x 1-1/4" (spirol)  |

| Ref # | Part Number | Qty | S/P/F | Description  |
|-------|-------------|-----|-------|--|
| 72    | 1900880001  | 1   | S     | Lever-eccentric, wheel speed shifting  |
| 73    | 9622        | 1   | S     | Seal-oil, eccentric shaft  |
| 74    | 1442        | 1   | S     | Pin-eccentric shaft, wheel speed shifting  |
| 75    | 2712        | 1   | S     | Eccentric Shaft-wheel speed shifting   |
| 76    | 1441        | 1   | S     | Spring-eccentric shaft   |
| 78    | 2260        | 1   | S     | Housing-power unit transmission (Incl. Ref. No. 79). Empty housing without covers, shafts, gears, seals, etc. (Call Factory before ordering) |
| 79    | 9359        | 1   | S     | Pin-alignment  |
| 80    | GW-9560     | 2   | S     | Bolt-hex hd., 1/2-13 x 2" Grade 5  |
| 81    | 9928        | 2   | S     | Washer-disc spring (concave), Domed side faces bolt head   |
| 82    | 2126        | 2   |       | Post-with threaded hole For Ref. No. 80  |
| 83    | 1105620     | 2   | /P    | Plug-pipe, 1/4"  |
| 84    | 9122        | 1   | S     | Plug-red plastic, thread protector   |
| 85    | 9205        | 1   | S     | Clip-forward interlock system plug connector (See "Forward Interlock System" illustration and parts list)                                    |
| 86    | 1900759     | 1   | S     | Decal-forward interlock wire harness   |

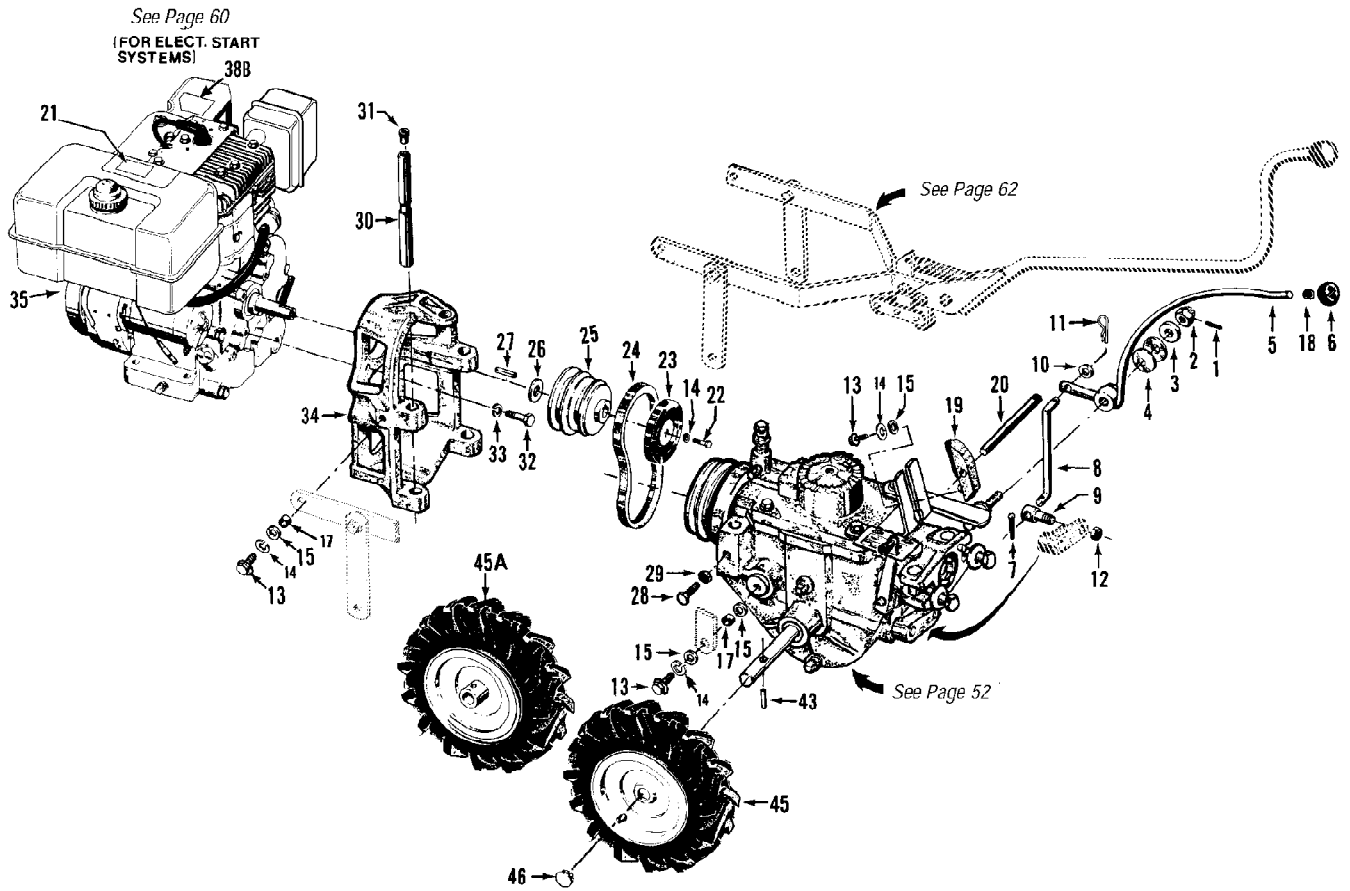


12090 - 8HP Electric PTO Horse Tiller  
Tiller Attachment Transmission Assemblies



| Ref # | Part Number | Qty | S/P/F | Description  |
|-------|-------------|-----|-------|--|
| 1     | 1915087     | A/R | /P    | Screw Kit Includes five (5) 1/4"-20 x 5/8" self-sealing screws           |
| 2     | 20873       | 1   | S     | Cover-tiller housing   |
| 3     | 1129-1      | A/R | S     | Gasket-tiller housing cover, .010" thick                                 |
| 3     | 1129-2      | A/R | S     | Gasket-same as above, .030" thick  |
| 4     | 1901972     | 1   | S     | Shaft-tiller tine  |
| 5     | 97074       | 2   | S     | Ball Bearing   |
| 6     | 1901976     | 1   | /P    | Worm Gear-bronze, tiller tine shaft                                      |
| 7     | 1104        | 1   | S     | Key-tiller tine shaft, woodruff key                                      |
| 8     | 97073       | 2   | S     | Seal-oil, tiller tine shaft  |
| 9     | 9500        | 2   | S     | Retaining Ring-external  |
| 10    | 1909138     | 1   | S     | Dog Clutch-tiller drive shaft  |
| 11    | 9301        | 1   | S     | Key-3/16" x 1"   |
| 12    | 2127        | 1   | S     | Spring-dog clutch  |
| 13    | 1138-1      | 1   | S     | Shim-dog clutch, 1/16" (.62") thick                                      |
| 14    | 1915089     | A/R | /P    | Screw Kit Includes three (3) 1/4"-20 x 7/8" self-sealing screws          |
| 15    | 1900881001  | 1   | S     | Cap-rear bearing   |
| 16    | 1124-2      | 1   | S     | Gasket-rear bearing cap  |
| 17    | 1224-1      | A/R | S     | Shim-front bearing cap, .010" thick                                      |
| 17    | 1224-2      | A/R | S     | Shim-same as above, .030" thick  |
| 17    | 1224-3      | A/R | S     | Shim-same as above, .005" thick  |
| 17    | 1224-4      | A/R | S     | Shim-same as above, .062" thick  |
| 18    | 1714        | 2   | S     | Bearing & Cup-sold as set only   |
| 19    | 11602       | 1   | S/F   | Shaft-main tiller drive (Incl. an integral worm gear)                    |
| 20    | 9617        | 1   | S     | Seal-oil, drive shaft, front   |
| 21    | 9517        | 1   | S     | Retaining Ring-internal  |
| 23    | 1902000     | 1   | /P/F  | Housing-tiller attachment (Incl. pressed-on sleeve in front of housing). |
| 24    | 1909157     | 1   |       | Dipstick-oil, tiller attachment  |

12090 - 8HP Electric PTO Horse Tiller  
Wheel Speed Lever, Belt Drive System, Engines, Wheels



12090 - 8HP Electric PTO Horse Tiller  
Wheel Speed Lever, Belt Drive System, Engines, Wheels

Page 20 of 23

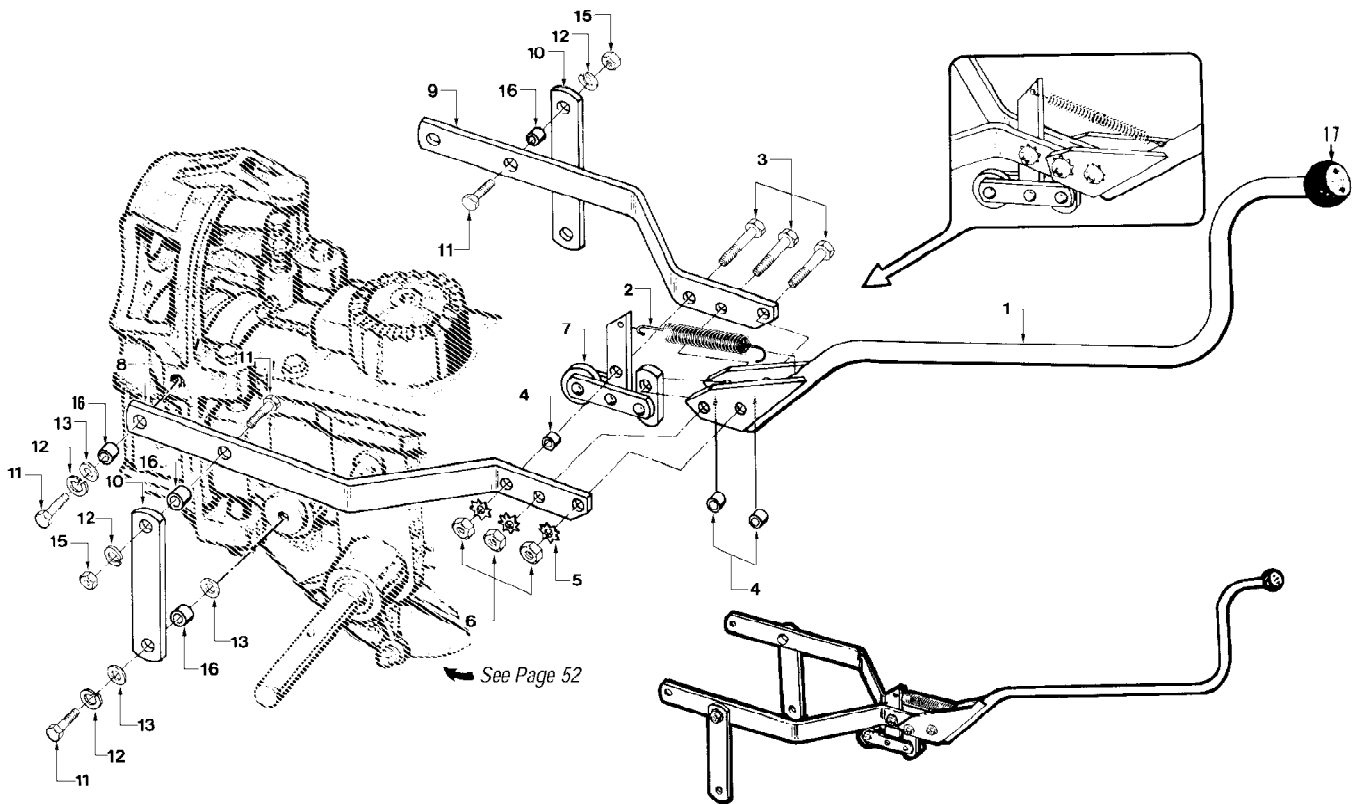
| Ref # | Part Number | Qty | S/P/F | Description   |
|-------|-------------|-----|-------|---|
| 1     | 9362        | 1   | S     | Pin-spring, 1/8"  |
| 2     | 9838        | 1   |       | Nut-castle (slotted), 1/2"-20   |
| 3     | 9934        | 1   | S     | Washer-shoulder, 1/2"   |
| 4     | 9932        | 2   | S     | Washer-disc spring  |
| 5     | 2628        | 1   | S     | Lever-wheel speed shift (Incl. Ref No.'s 6 and 18)  |
| 6     | 1902240     | 1   | /P    | Knob-wheel speed shift lever  |
| 7     | 9317        | 1   | S     | Pin-cotter, 3/32" x 1"  |
| 8     | 1231        | 1   | S     | Rod-connecting rod, wheel speed shift lever   |
| 9     | 1033        | 1   | S     | Swivel-connecting rod   |
| 10    | 1107382     | 1   | /P    | Washer-flat, 5/16", S.A.E.  |
| 11    | 9338        | 1   | S     | Pin-hair cotter   |
| 12    | 1110107     | 1   | S     | Locknut-hex hd., 5/16"-18   |
| 13    | 1100046     | 5   | S     | Bolt-flanged hex hd., 3/8-16 x 1"   |
| 14    | 1100243     | 5   | S     | Lockwasher-spring lock, 3/8"  |
| 15    | 1107383     | 7   | S     | Washer-flat, 3/8", S.A.E.   |
| 17    | 1113-1      | 4   | S     | Bushing-spacer, 19/64" (.300"lg.)   |
| 18    | 9120        | 1   | S     | Ring-retaining (tolerance ring)   |
| 19    | 1920        | 1   | S     | Block- belt adjustment, 3-7/8" (Incl. Ref. No.'s 13,15, and 20)   |
| 20    | 2100        | 1   | S     | Rod- belt adjust., 7" with measuring gauge  |
| 21    | 1915810     | 1   |       | Decal- engine stabilization For Briggs & Stratton engines   |
| 22    | 1100011     | 1   | S     | Bolt-hex hd., 3/8-24 x 1-1/2"   |
| 23    | 1919        | 1   | S     | Disc-reverse (Incl. Ref. No. 19)  |
| 24    | 9245        | 1   | S     | Belt-forward drive (No substitute due to extra strength required)   |
| 25    | 1483        | 1   | S     | Pulley-engine power take off  |
| 26    | 1138-1      | A/R | S     | Shim-engine pulley, 1/16"   |
| 26    | 1138-2      | A/R | S     | Shim-as above, 1/32"  |
| 27    | 9303        | 1   | S     | Key-engine pulley, 3/16"sq. x 2-1/2"  |
| 28    | 1100045     | 2   | S     | Bolt-hex hd., 5/16-18 x 1", Grade 5   |
| 29    |             | 1   |       | UNKNOWN   |
| 30    | GW-1034     | 2   | S     | Bar-engine mounting   |
| 31    | 9147        | 2   | S     | Plug-thread protector, red plastic  |
| 32    | 9572        | 4   | S     | Bolt-hex hd., 5/16-24 x 1-1/8"  |
| 33    | 1100242     | 4   | S     | Lockwasher-spring lock, 5/16"   |
| 34    | 1916274001  | 1   | S     | Mount- engine to tiller   |
| 35    |             | 1   |       | 8HP Briggs & Stratton Engine-Recoil or electric start. (Electric start requires key switch starting system.); Contact an authorized engine dealer, Troy-Bilt dealer or the Factory for replacement engine information. Contact an authorized engine dealer for engine service or parts. Refer to the engine nameplate for engine model and type information |

12090 - 8HP Electric PTO Horse Tiller  
 Wheel Speed Lever, Belt Drive System, Engines, Wheels

Page 21 of 23

| Ref # | Part Number | Qty | S/P/F | Description   |
|-------|-------------|-----|-------|---|
| 35    |             | 1   |       | 10HP Briggs & Stratton Engine-Electric start (Has key switch starting system) ;Contact an authorized engine dealer, Troy-Bilt dealer or the Factory for replacement engine information. Contact an authorized engine dealer for engine service or parts. Refer to the engine nameplate for engine model and type information. |
| 38B   | 1904565     | 1   |       | Decal-hot surface safety warning  |
| 43    | 9322        | 2   | S     | Pin- roll, 5/16" x 1-1/2"   |
| 45    | 2709-01     | 1   | S/F   | Wheel & Tire Assy-bar tread, left side, 4:80 x 8" tubeless tire With valve stem, on one-piece steel wheel   |
| 45A   | 2709-02     | 1   | S/F   | Wheel & Tire Assy-bar tread, right side. Same as above but for right side of tiller   |
| 46    | 1902020     | 2   | /P    | Cap-wheel hub   |

12090 - 8HP Electric PTO Horse Tiller  
Wheels/Tines/PTO Drive Lever & Yoke Assembly



12090 - 8HP Electric PTO Horse Tiller  
Wheels/Tines/PTO Drive Lever & Yoke Assembly

Page 23 of 23

| Ref # | Part Number | Qty | S/P/F | Description                                       |
|-------|-------------|-----|-------|---|
| 1     | 2574        | 1   | S     | Lever-Wheels/Tines/PTO Drive (Incl. knob w/decal) |
| 2     | 1908156     | 1   | /P    | Spring-clutch pawl                                |
| 3     | 1100799     | 3   | S     | Bolt-hex hd., 5/16-18 x 1-1/2"                    |
| 4     | 2447        | 3   | S     | Bushing-3/8"                                      |
| 5     | 1177548     | 3   | S     | Lockwasher-external tooth, 5/16"                  |
| 6     | 1186230     | 3   | S     | Nut-hex, 5/16"-18                                 |
| 7     | 1916265001  | 1   | S     | Roller Assembly                                   |
| 8     | 1900468001  | 1   | S     | Yoke-left side                                    |
| 9     | 1900469001  | 1   | /P    | Yoke-right side                                   |
| 10    | 1900860001  | 2   | /P    | Link-Yoke pivot, left & Right 6-7/8" long         |
| 11    | 1100046     | 6   | S     | Bolt-hex hd., 3/8-16 x 1"                         |
| 12    | 1100243     | 6   | S     | Lockwasher-spring lock, 3/8"                      |
| 13    | 1107383     | 6   | S     | Washer-flat, 3/8", S.A.E.                         |
| 15    | 1186231     | 2   | S     | Nut-hex, 3/8"-16                                  |
| 16    | 1113-1      | 6   | S     | Bushing-spacer, 19/64" (.300")                    |
| 17    |             | 1   |       | Knob-not avail. separately. See Ref No. 1         |