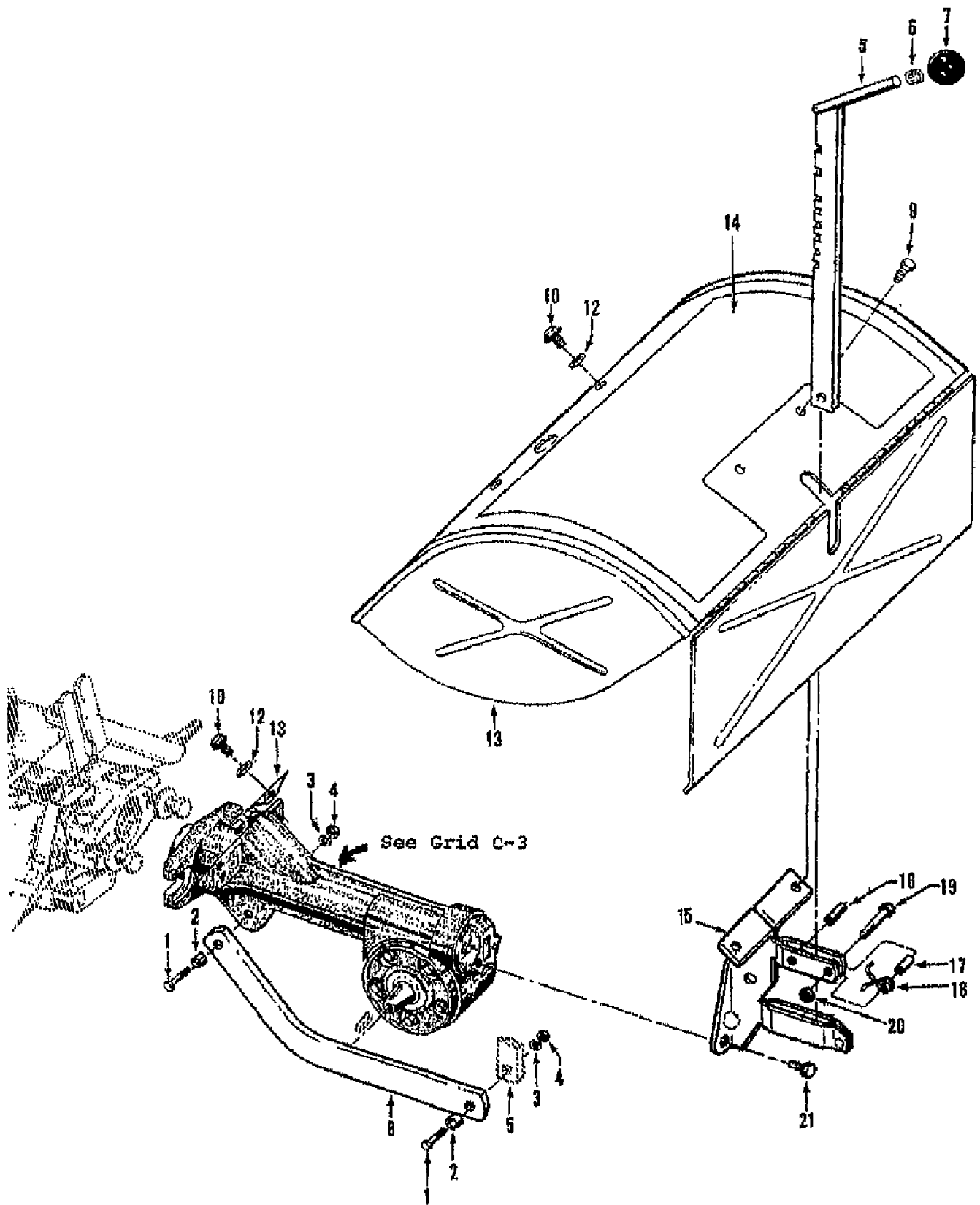


12088C HORSE-OPC (7&8HP) ROTOTILLER (S/N 120880100101-UP)
DEPTH REGULATOR & TIME HOOD ASSEMBLIES

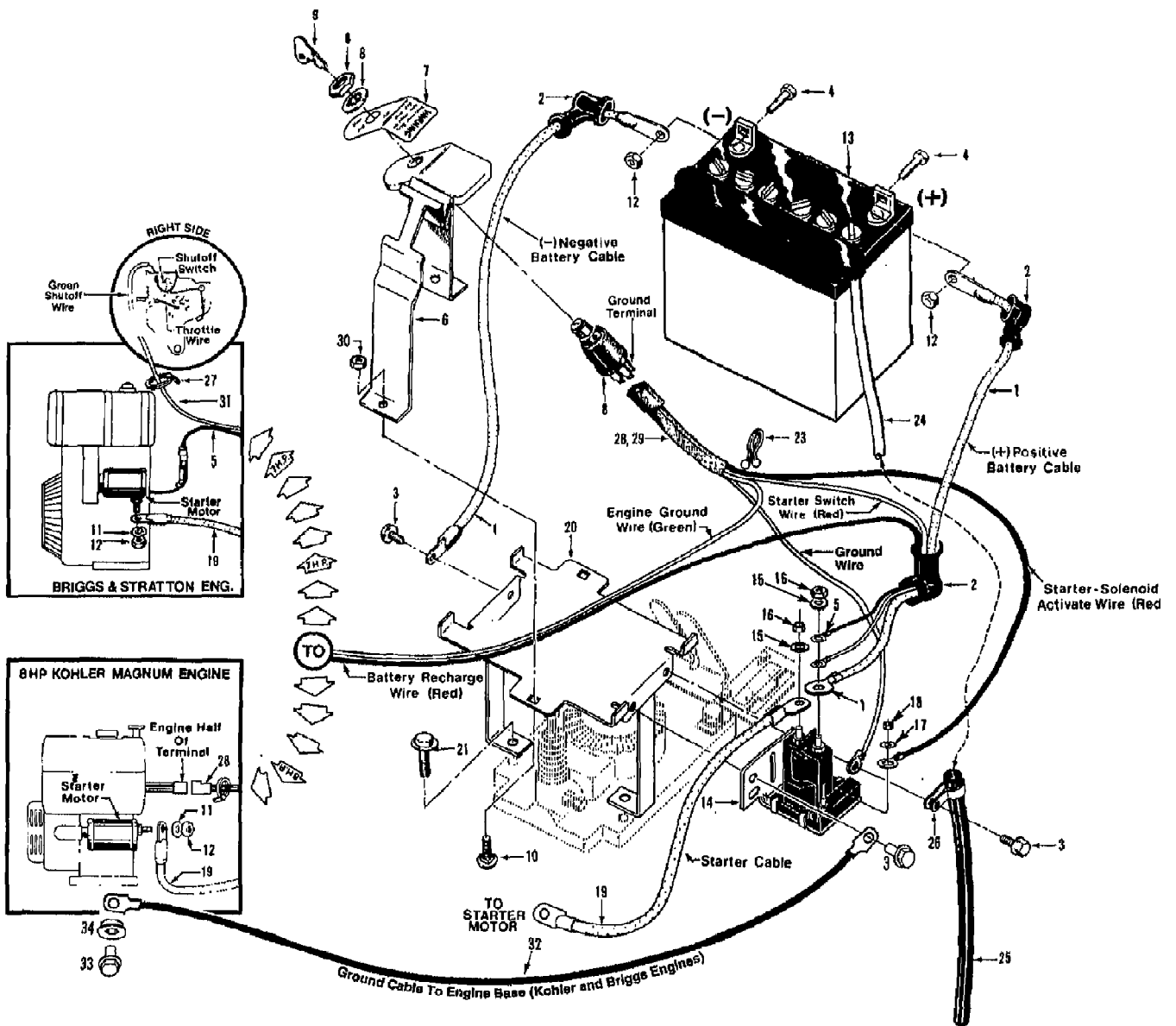


12088C HORSE-OPC (7&8HP) ROTOTILLER (S/N 120880100101-UP)
DEPTH REGULATOR & TIME HOOD ASSEMBLIES

Page 2 of 20

Ref #	Part Number	Qty	S/P/F	Description
1	GW-9712	0	S	SCR-HH 3/8-16X1.25
2	1113-1	0	S	BUSHING-.5X.375X.3
3	GW-9913	0	S	WASHER-LK .375 @ DEPL
4	GW-9802	0	S	NUT-HEX 3/8-16 ZP
5	1117A	0	S	DEPTH REGULATOR W/KNOB
6	9120	0	S	RING-TOLERANCE .5325 ID
7	9119	0	S	KNOB-CONTROL
8	1900867010	0	S	BAR-DRAG RED
9	9552	0	S	SCR-HWH 1/4-20 X .5 STH
10	GW-90044	0	S	SCR-HFLK 5/16-18X.75 ZP
11	0	0		THIS REF. NO. NOT USED
12	9929	0	S	WASHER-#1.125X.344 ZP
13	2629	0		HOOD W/DECALS OPC SERVICE
14	2719	0		DECAL-HOOD INST
15	2527	0	S	BRKT W/ROLL PIN (9308)
16	9308	0	S	PIN-ROLL .25 X 1
17	9534	0	S	SPACER-.250X.343X.375
18	9384	0	S	SPRING-TORSION
19	GW-9734	0	S	SCR-HH 1/4-20X1.0
20	GW-9811	0	S	NUT-LK 1/4-20
21	GW-90038	0	S	SCR-HFLK 5/16-18X.62 G5ZP

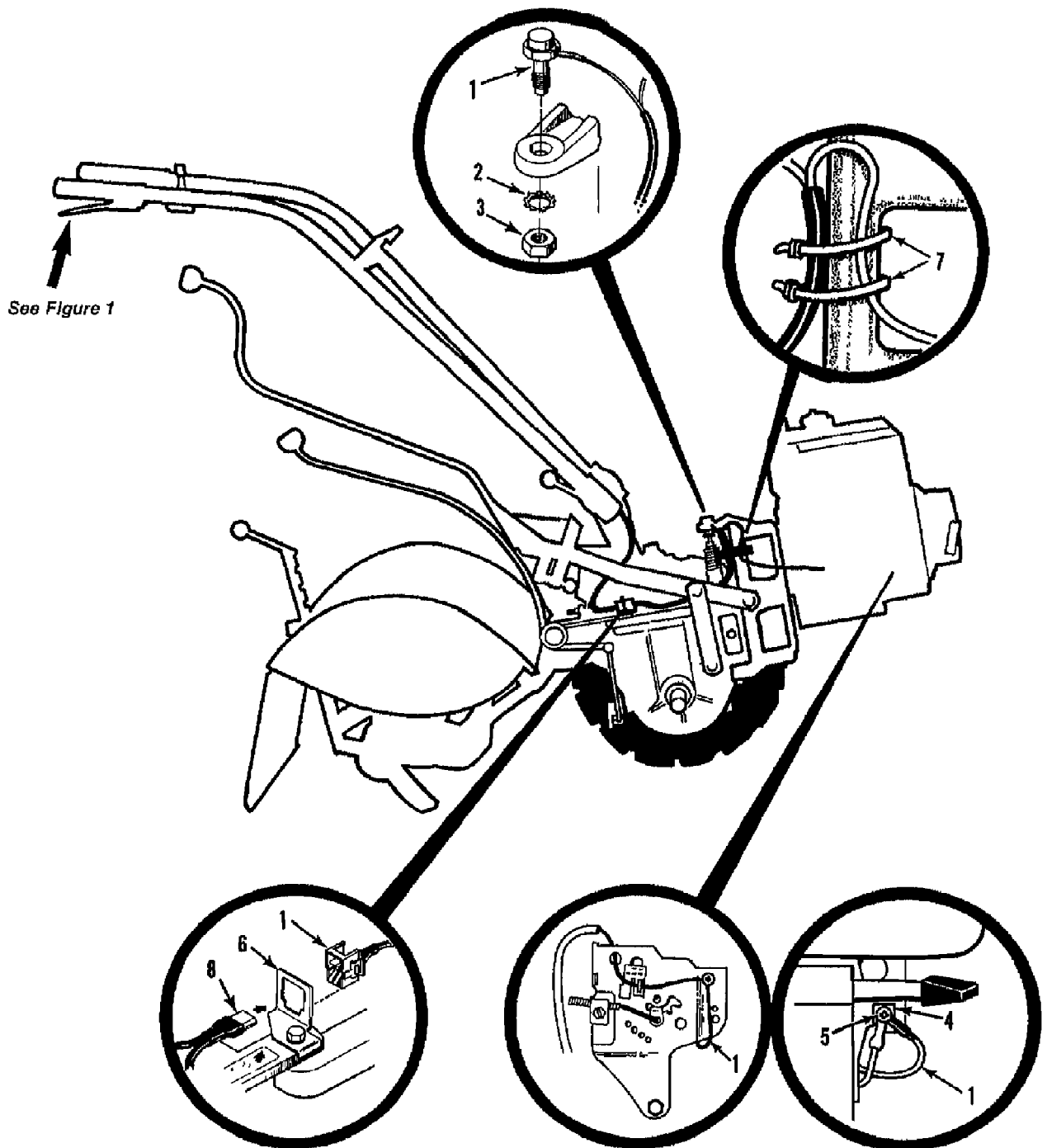
12088C HORSE-OPC (7&8HP) ROTOTILLER (S/N 120880100101-UP)
ELECTRIC START SYSTEM



12088C HORSE-OPC (7&8HP) ROTOTILLER (S/N 120880100101-UP)
ELECTRIC START SYSTEM

Page 4 of 20

Ref #	Part Number	Qty	S/P/F	Description
1	96515	0	S	CABLE-BATTERY 10"
2	97020	0	S	BOOT-BATTERY CABLE
3	9552	0	S	SCR-HWH 1/4-20 X .5 STH
4	GW-9780	0	S	SCR-HH 1/4-20X.625
5	GW-1554	0	S	WIRE-RECHARGE 5&7 BRIGGS
6	1904564	0	S	KEYSWITCH W/DECAL HORSE
7	1904548	0	S	DECAL-IGNITION TILLERS
8	1908112	0	S	ASSM-KEYSWITCH ELEC TLR
9	96520	0	S	KEYS-IGN T/BLAZER 1 PAIR
10	GW-9566	0	S	SCR-CARR 1/4-20X1.25
11	GW-9910	0	S	WASHER-LK .25 ZP
12	GW-9800	0	S	NUT-HEX 1/4-20 ZP
13	GW-9092B	0	S	BATTERY-12 VOLT HORSE
14	96514	0	S	SOLENOID
15	GW-9912	0	S	WASHER-LK .312 ZP
16	GW-9826	0	S	NUT-HEX 5/16-24
17	9921	0	S	WASHER-EXTERNAL TOOTH 1
18	GW-9809	0	S	NUT-HH M10-32X.125
19	96510	0	S	CABLE-BATTERY 12"
20	2571	0	S	BRKT-BATTERY OPC PNT
21	GW-90047	0	S	SCR-HFLK 3/8-16X1.50
22	0	0		THIS REF. NO. NOT USED
23	9265	0	S	TIE-TWIST LOCK
24	9009	0	S	TUBE-VENT BATTERY/HSE
25	1475	0		TUBING-RUBBER
26	9224	0		CLAMP
27	9202	0	S	TIE-RED
28	1908118	0	S	KIT-WIRE HARNESS ASSM
29	1908117	0		ASSM-WIRE HARNESS
30	GW-9844	0	S	NUT-HF/LK 1/4-20 ZP
31	20421	0	S	ASSM-WIRE SWITCH/GROUND
31	1901202	0	/P	CABLE-BATTERY 15"
32	1901202	0	/P	CABLE-BATTERY 15"
33	GW-90045	0	S	SCR-HFLK 5/16-18X1.00 ZP
34	GW-9848	0	S	NUT-HFLK 5/16-18 ZP

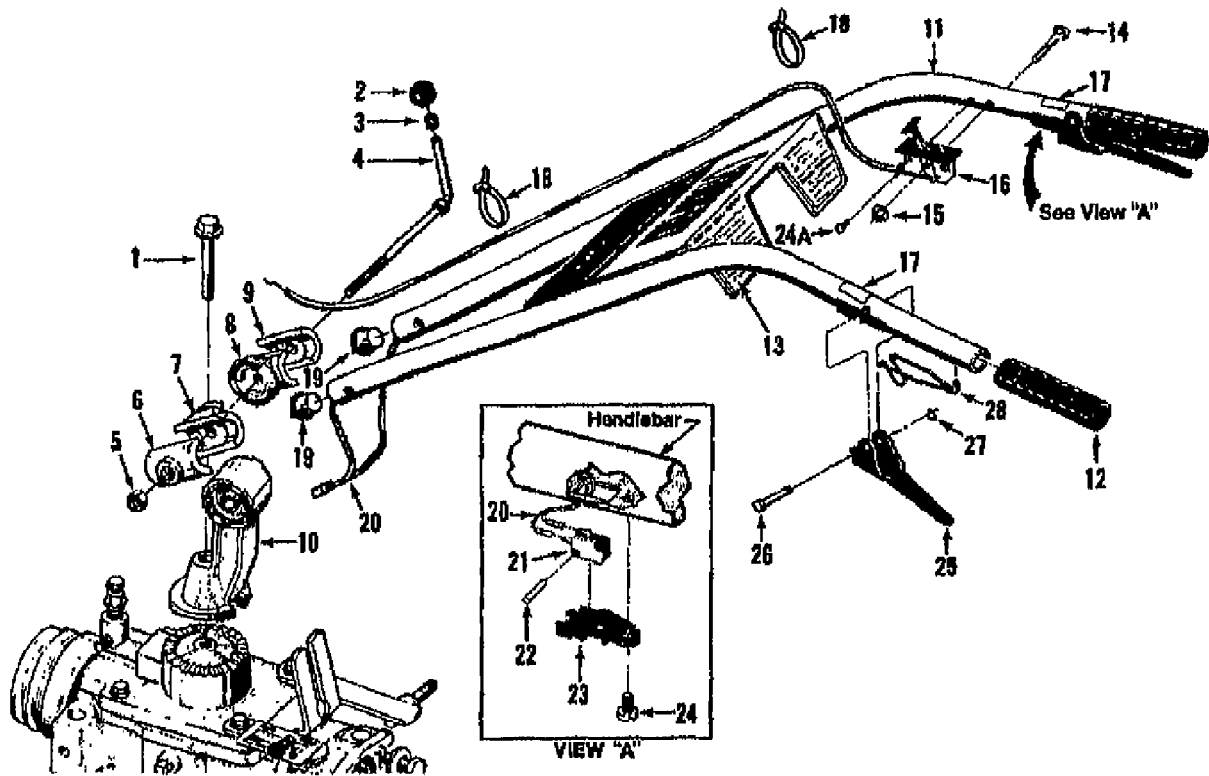


12088C HORSE-OPC (7&8HP) ROTOTILLER (S/N 120880100101-UP)
 FORWARD INTERLOCK SYSTEM

Page 6 of 20

Ref #	Part Number	Qty	S/P/F	Description
1	2552	0	S	HARNESS-WIRE ENG OPC
2	9971	0	S	WASHER-LK .438 EXT TOOTH
3	GW-9851	0	S	NUT-HEX/JAM 7/16-20
4	GW-ET69-12	0	F	GROMMET-7 T/L & 8 KOH OPC
5	GW-ET42-447	0	F	SCR #8-18 SELF TAP
6	9205	0	S	CLIP-CONNECTOR
7	9202	0	S	TIE-RED
8	2551	0	S	HARNESS-WIRE OPC HORSE

12088C HORSE-OPC (7&8HP) ROTOTILLER (S/N 120880100101-UP)
HANDLE BAR ASSEMBLY

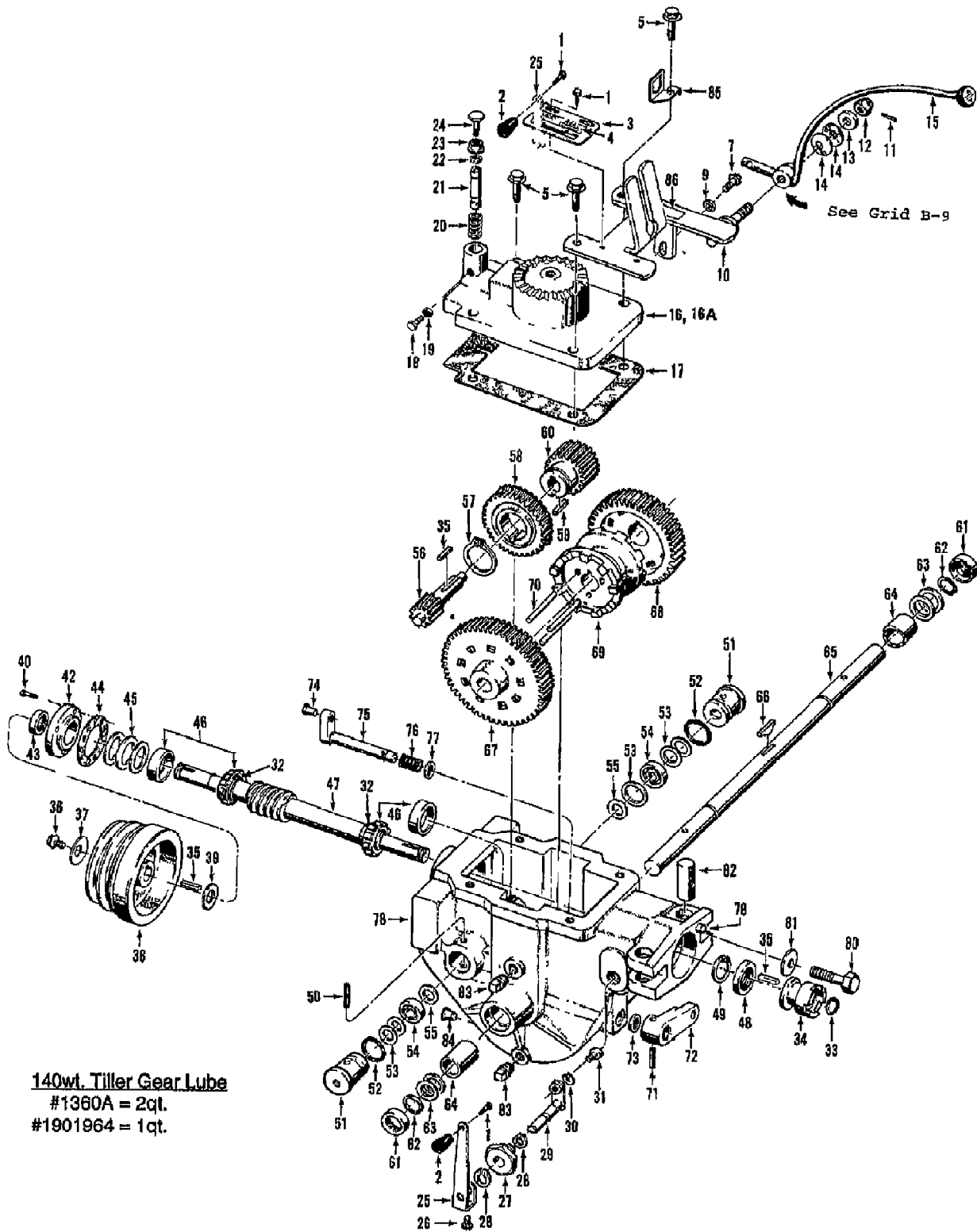


12088C HORSE-OPC (7&8HP) ROTOTILLER (S/N 120880100101-UP)
HANDLE BAR ASSEMBLY

Page 8 of 20

Ref #	Part Number	Qty	S/P/F	Description
1	9548	0	S	BOLT 1/2-13X3.5 FH GR5
2	9119	0	S	KNOB-CONTROL (INCL. 3)
3	9120	0	S	RING-TOLERANCE .5325 ID
4	1881	0	S	STUD-H/BAR W/NUT & RING (INCL. 2,3 & 5)
5	GW-9803	0	S	NUT-HEX JAM 1/2-13
6	1900854010	0	/P	CLAMP-LH HORSE 1021-1
7	1900856010	0	/P	RATCHET-H/BAR RED 2542-1
8	1900857010	0	/P	RATCHET-RH RED HORSE 2542-2
9	1900855010	0	/P	CLAMP-RH HORSE 1021-2
10	1900858010	0	/P	BASE-H/BAR RED 2534A
11	2704	0	S	ASSM-HANDLEBAR W/GRIPS (INCL. 2 OF EA. 12, 17 & 28 AND ONE 13)
12	9125	0	S	GRIP-H/BAR SMOOTH
13	2715	0	S	DECAL-CONTROL PANEL HORSE
13	1904146	0		DECAL-CONTROL PANEL (11HP)
14	9547	0	S	BOLT-CH 1/4-20X2.00 ZP
15	GW-9844	0	S	NUT-HF/LK 1/4-20 ZP
16	9444	0	S	CABLE-THROTTLE 7 I/C B&S {12068/069/080/081/087}
16	1909286	0	S	CABLE-THROTTLE 7&8 B&S {12074/075/088/089/090}
16	9650	0		CABLE-THROTTLE 8HP OPC {12070/071/082/083}
17	1900763	0		DECAL-FWD INTERLOCK
18	9202	0	S	TIE-RED
19	9219	0	S	RETAINER-HARNESS H/B OPC
20	2551	0	S	HARNESS-WIRE OPC HORSE
21	9250	0	S	SWITCH-H/B OPC
22	9385	0	S	PIN-LK .11X.58 HORSE OPC
23	2543	0	S	HOUSING-SWITCH OPC
24	90039	0		SCR-HW M10-24X.5 STH ZP
24A	9733	0	S	SCR-PHS M10-32X.5 STH ZP
25	2546	0	S	LEVER-HORSE OPC
26	9199	0	S	PIN-PIVOT OPC LEVER
27	9514	0	S	RING-KLIP 5304-25
28	9387	0	S	SPRING-H/B LEVER

12088C HORSE-OPC (7&8HP) ROTOTILLER (S/N 120880100101-UP)
POWER UNIT TRANSMISSION ASSEMBLIES



12088C HORSE-OPC (7&8HP) ROTOTILLER (S/N 120880100101-UP)
POWER UNIT TRANSMISSION ASSEMBLIES

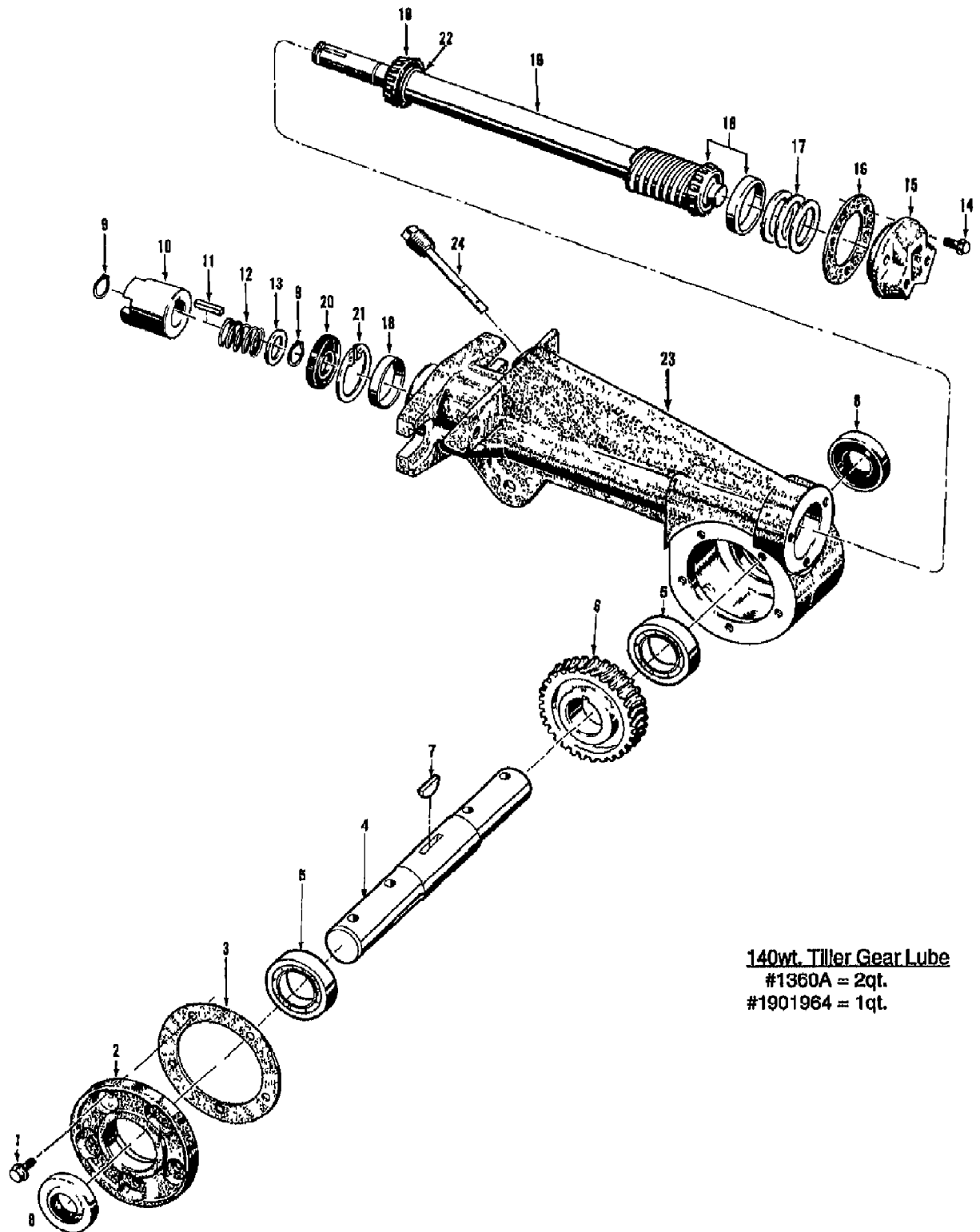
Page 10 of 20

Ref #	Part Number	Qty	S/P/F	Description
1	GW-9782	0	S	SCR 10-32
2	9463	0	S	KNOB-TAPERED
3	2263	0	S	PLATE-TINE ENGAGE W/DECAL
4	1900758	0	S	DECAL-TINE ENGAGE
5	GW-90047	0	S	SCR-HFLK 3/8-16X1.50
6	0	0		THIS REF. NO. NOT USED
7	GW-90044	0	S	SCR-HFLK 5/16-18X.75 ZP
8	0	0		THIS REF. NO. NOT USED
9	GW-9902	0	S	WASHER-FLAT 5/16 SAE
10	1900870010	0	S	BRKT-H HOOD 2149
11	9362	0	S	PIN-SPRING .125 X 1
12	9838	0		NUT-HEX 1/2-20
13	9934	0	S	WASHER-# SHOULDER ZP
14	9932	0	S	WASHER-# 1.97X1X.118
15	0	0		THIS REF. NO. NOT USED
16	1900869010	0	S	COVER-TRANS RED 2523
16A	2566	0	S	ASSM-TRANS COVER OPC
17	1123	0	S	GASKET-TRANS COVER
18	GW-90008	0	S	SCR-HH 5/16-18X1.0 G5 ZP
19	GW-9801	0	S	NUT-HEX 5/16-18 ZP
20	1901439	0	/P	SPRING-REV PLUNGER ZP
21	1035	0	S	ASSM-NEUTRAL PLUNGER
22	1901440	0	/P	RING-KLIP EXT .594 ID ZP
23	9831	0		NUT-HFLK 3/8-16 ZP
24	1902004	0	/P	SCR 3/8-16X1.5 UNC-2AG
25	1900878010	0	S	LEVER-ECCENTRIC RED
26	GW-9743	0	S	SCR-HH 1/4-20X.5 GR5 YEL
27	2123	0	S	BUSHING-.87X.5X.62 ECC
28	9516	0	S	RING-RETAINING 5100-50
29	2461	0	S	SHAFT-WELD ECCENTRIC
30	9911	0	S	WASHER-LK .25 HI-COLLAR
31	9672	0	S	SCR-HXSKT 1/4-20X.38 G8
32	1138-1	0	S	SHIM-1.0X.7656X.062
33	9500	0	S	RING-RETAIN EXT .707 ID
34	GW-2120-3	0	S	KIT-CLUTCH DOGS TILLER
34	1909139	0	S	CLUTCH-DOG HORSE TRANS
35	9301	0	S	KEY-.188 SQX1.0
36	9655	0	S	SCR-HH 5/16-24X.75 G5 ZP
37	9944	0	S	WASHER-.827X.331X.098
38	2107	0	S	PULLEY-TRANS MACH
39	50027	0	S	WASHER-SHLDR HARDENED
40	9579	0		SCR-HFLK 1/4-20X.75 G5 ZP
41	0	0		THIS REF. NO. NOT USED
42	1900879010	0	S	COVER-FRONT
43	GW-85030	0	S	SEAL-PINION SHAFT PT/85030/00
44	1124-2	0	S	GASKET-BRG COVER
45	1224-1	0	S	SHIM-1.75X1.5X.01
45	1224-2	0	S	SHIM-1.75X1.5X.03
45	1224-3	0	S	SHIM-1.75X1.5X.005
45	1224-4	0	S	SHIM-1.75X1.5X.062
46	1714	0	S	KIT-BRG CONE&RACE-DRIVESHAFT
47	11601	0		KIT-WHEELDRIVE ROLL/WORM
48	9617	0	S	SEAL-OIL DRIVESHAFT

12088C HORSE-OPC (7&8HP) ROTOTILLER (S/N 120880100101-UP)
POWER UNIT TRANSMISSION ASSEMBLIES

Page 11 of 20

Ref #	Part Number	Qty	S/P/F	Description
49	9517	0	S	RING-RETAINING 5000-181
50	9309	0	S	PIN-SPIROL .25 X 2.0
51	1060A	0	S	PLUG-PINION BRG W/RING
52	9604	0	S	RING-O 1 ID
53	1132-1	0	S	SHIM-1.234X1.015X.033
53	1132-2	0	S	SHIM-1.234X1.015X.062
53	1132-3	0	S	SHIM-1.234X1.015X.01
54	9404	0	S	BRG-BALL (7 BALLS)
55	1126	0	S	WASHER-# 1X.484X.06
56	1222	0	S	GEAR-SPLINE 10 TEETH MACH
57	9502	0	S	RING-RETAINING 5100-150
58	2656	0	S	GEAR-WORM MACH
59	9300	0	S	KEY
60	1233	0	S	GEAR-SPUR 20 TEETH MACH
61	9621	0	S	SEAL-OIL WHEELSHAFT
62	9511	0	S	RING-HEAVY EXT .906 ID
63	1166-1	0	S	SHIM-1.375X1.015X.062
63	1166-2	0	S	SHIM-1.375X1.015X.03
63	1166-3	0	S	SHIM-1.375X1.015X.015
63	1166-4	0	S	SHIM-1.375X1.015X.01
63	1166-5	0	S	SHIM-1.375X1.015X.005
64	1086	0	S	BUSHING-1.25X1.005X1.5
65	1878	0	S	KIT-WHEELSHAFT
66	9357	0	S	KEY-HI PRO .25X1.812
67	1223	0	S	GEAR-SPUR 56 TEETH MACH
68	1232	0	S	GEAR-SPUR 46 TEETH MACH
69	1237	0	S	CLUTCH-MACH
70	1112	0	S	PIN-CLUTCH .25 2.65
71	9307	0	S	PIN-SPIROL .188 X 1.25
72	1900880010	0	S	LEVER-ECC. #1029
73	9622	0	S	SEAL-OIL ECCENTRIC
74	1442	0	S	PIN-.375 X .72
75	2712	0	S	SHAFT-ECCENTRIC HORSE TLR
76	1441	0	S	SPRING .845 X 1.25
77	1440	0	S	WASHER # .875 X .65 X .06
78	2260	0	S	CASE-TRANS W/PIN
79	9359	0	S	PIN-DRIVE .375X.75 ZP
80	GW-9560	0	S	SCR-HH 1/2-13X2.0 G5 ZP
81	9928	0	S	WASHER-DISC SPRING
82	2126	0		POST (TC)
83	9726	0	S	PLUG-PIPE 1/4 NPT
84	9122	0	S	PLUG-CAP (RED)
85	9205	0	S	CLIP-CONNECTOR
86	1900759	0	S	DECAL-FWD INTERLOCK WIRE
	GW-1360A	0	S	OIL (1901964)
	GW-1901964	0		OIL-GEAR 1 QT 140WT

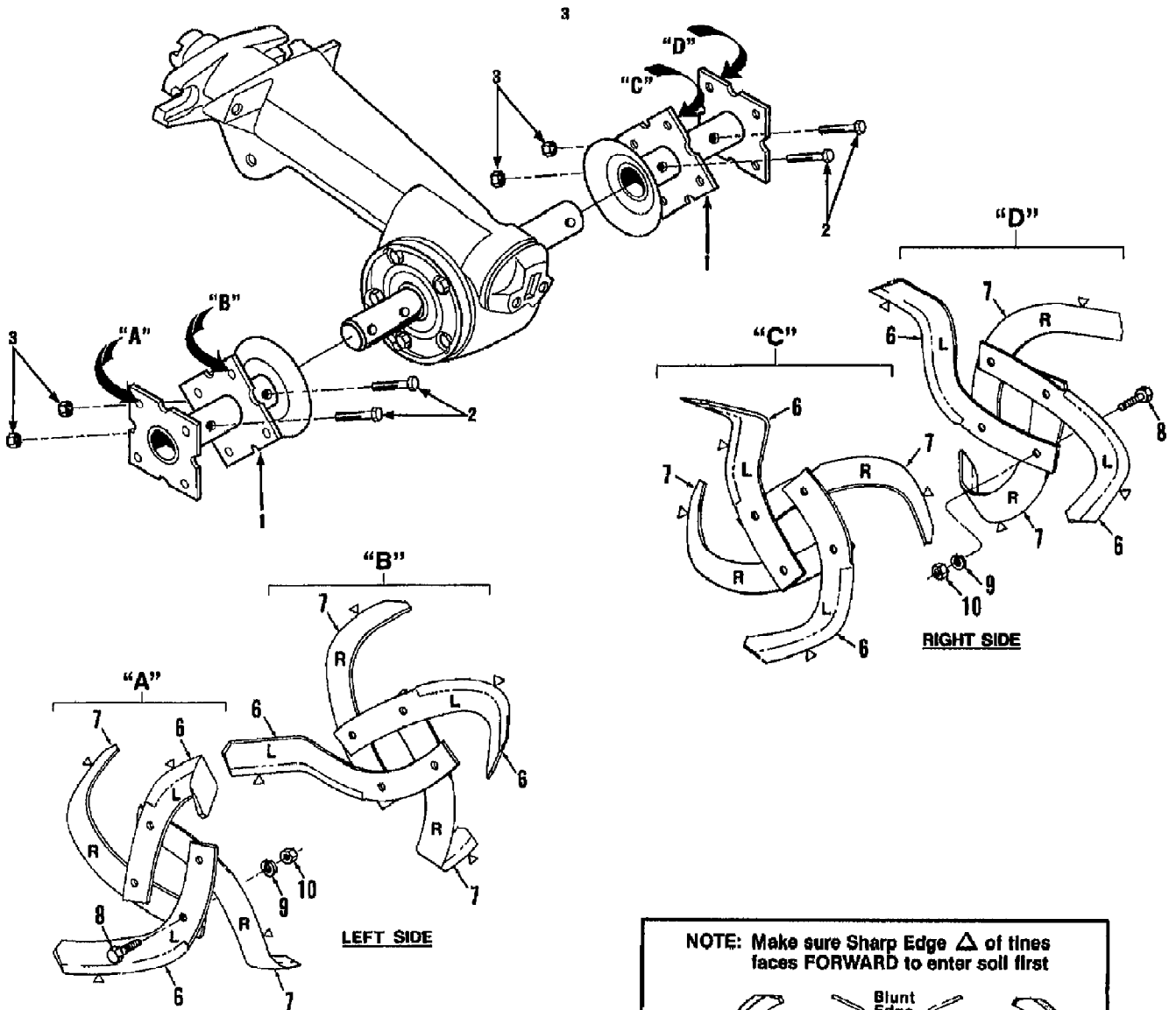


140wt. Tiller Gear Lube
#1360A = 2qt.
#1901964 = 1qt.

12088C HORSE-OPC (7&8HP) ROTOTILLER (S/N 120880100101-UP)
TILLER ATTACHMENT TRANSMISSION ASSEMBLIES

Page 13 of 20

Ref #	Part Number	Qty	S/P/F	Description
1	1915087	0	/P	KIT-SEALING SCRS (5)W/LIT
2	20873	0	S	COVER-TILLER HSG MACH
3	1129-1	0	S	GASKET-TILLER COVER
3	1129-2	0	S	GASKET-TILLER COVER
4	1901972	0	S	SHAFT-TILLER MACH HORSE
5	97074	0	S	BEARING-BALL
6	1901976	0	/P	GEAR-WORM MACH RTH HORSE
7	1104	0	S	KEY-WOODRUFF .25X1.12
8	97073	0	S	SEAL-TILLER SHAFT
9	9500	0	S	RING-RETAIN EXT .707 ID
10	GW-2120-1	0	S	KIT-CLUTCH DOGS TILLER
10	1909138	0	S	CLUTCH-DOG HORSE TRANS
11	9301	0	S	KEY-.188 SQX1.0
12	2127	0	S	SPRING (TC)
13	1138-1	0	S	SHIM-1.0X.7656X.062
14	1915089	0	/P	KIT-SEALING SCRS (3)
15	1900881010	0	S	CAP-REAR #1115
16	1124-2	0	S	GASKET-BRG COVER
17	1224-1	0	S	SHIM-1.75X1.5X.01
17	1224-2	0	S	SHIM-1.75X1.5X.03
17	1224-3	0	S	SHIM-1.75X1.5X.005
17	1224-4	0	S	SHIM-1.75X1.5X.062
18	1714	0	S	KIT-BRG CONE&RACE-DRIVESHAFT
19	11602	0	S	KIT-TILLER DR SHAFT
20	9617	0	S	SEAL-OIL DRIVESHAFT
21	9517	0	S	RING-RETAINING 5000-181
22	1138-1	0	S	SHIM-1.0X.7656X.062
23	1902000	0	/P	HOUSING-TILLER W/SLEEVE
24	1909157	0		ASSM-DIPSTICK HORSE TRANS
	GW-1360A	0	S	OIL (1901964)
	GW-1901964	0		OIL-GEAR 1 QT 140WT



LEGEND
 △ = Sharp Edge
 L = Left Bolo Tine
 R = Right Bolo Tine

NOTE: Make sure Sharp Edge △ of tines faces FORWARD to enter soil first

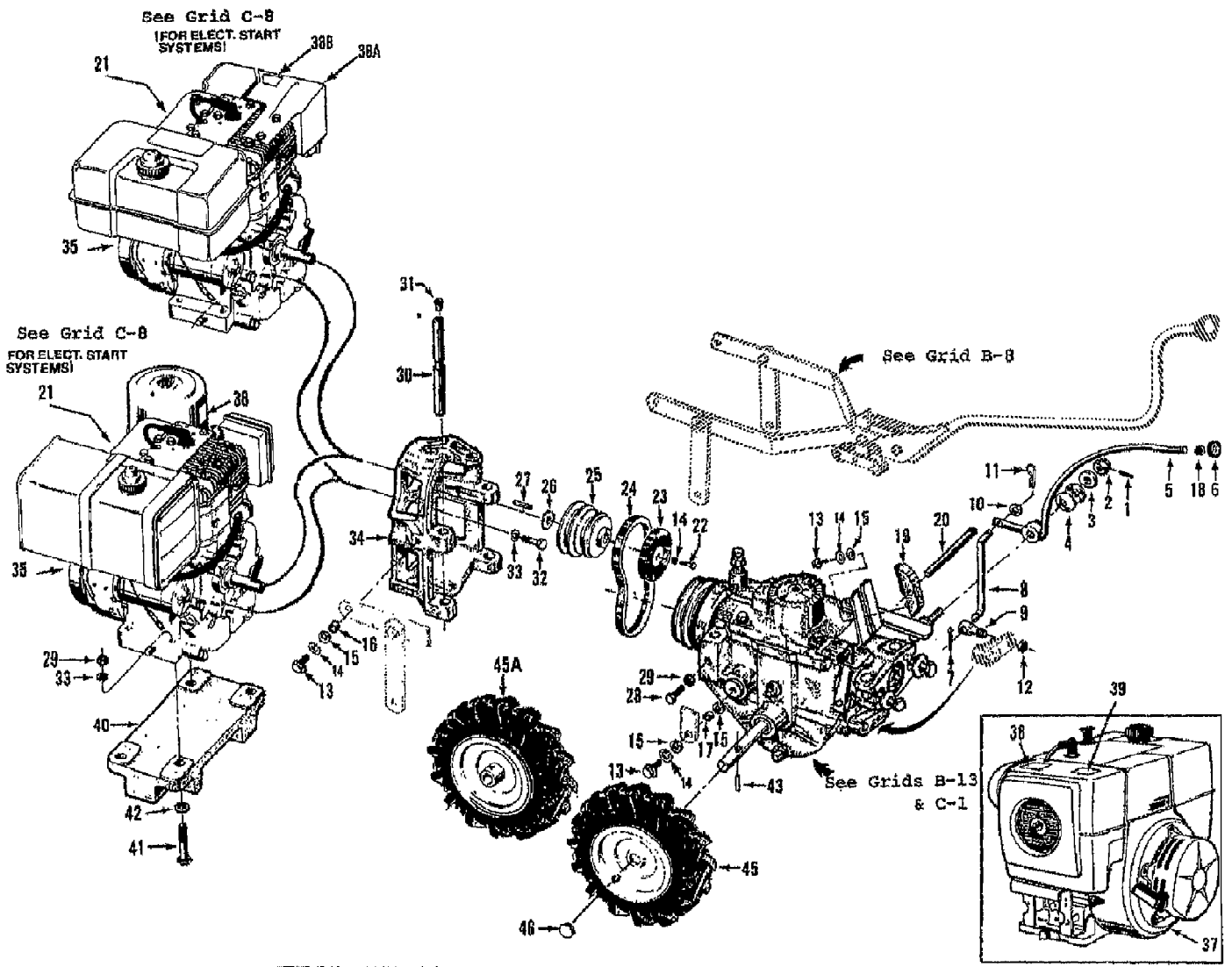
LEFT HAND TINE RIGHT HAND TINE
 (As viewed with blunt edge facing you.)

12088C HORSE-OPC (7&8HP) ROTOTILLER (S/N 120880100101-UP)
TINE ASSEMBLIES

Page 15 of 20

Ref #	Part Number	Qty	S/P/F	Description
1	1901975010	0	S	HOLDER-TINE HORSE (RED)
2	GW-9761	0	S	SCR-HH 3/8-16X2.00 G8
3	GW-9807	0	S	NUT-H/LK 3/8-16
4	0	0		THIS REF. NO. NOT USED
5	0	0		THIS REF. NO. NOT USED
6	1270-1A	0	S	TINE-BOLO LT W/HDW(INCL. TWO EACH OF REF. NO.'S 8,9 AND 10)
7	1270-2A	0	S	TINE-BOLO RT W/HDW(INCL. SAME HARDWARE AS REF. NO.6)
8	GW-9711	0	S	SCR-HH 3/8-16X1.0 G5 ZP
9	GW-9913	0	S	WASHER-LK .375 @ DEPL
10	GW-9802	0	S	NUT-HEX 3/8-16 ZP
	1901118	0	S/F	TINES-BOLO HORSE/PONY/ECONO
	10802	0	S/F	TINES-CUSTOM TILLING
	2475-1	0	S	TINE-HARD FACED LT
	2475-2	0	S	TINE-HARD FACED RT
	GW-9807	0	S/F	NUT-H/LK 3/8-16

12088C HORSE-OPC (7&8HP) ROTOTILLER (S/N 120880100101-UP)
 WHEEL SPEED LEVER, BELT DRIVE, ENGINE & WHEELS



WHEEL & TIRE ASSY—Bar Tread
INDIVIDUAL SERVICE PARTS
 # 1234-1 - TIRE ONLY
 # 2708 - WHEEL RIM ONLY (GREY)

12088C HORSE-OPC (7&8HP) ROTOTILLER (S/N 120880100101-UP)
WHEEL SPEED LEVER, BELT DRIVE, ENGINE & WHEELS

Page 17 of 20

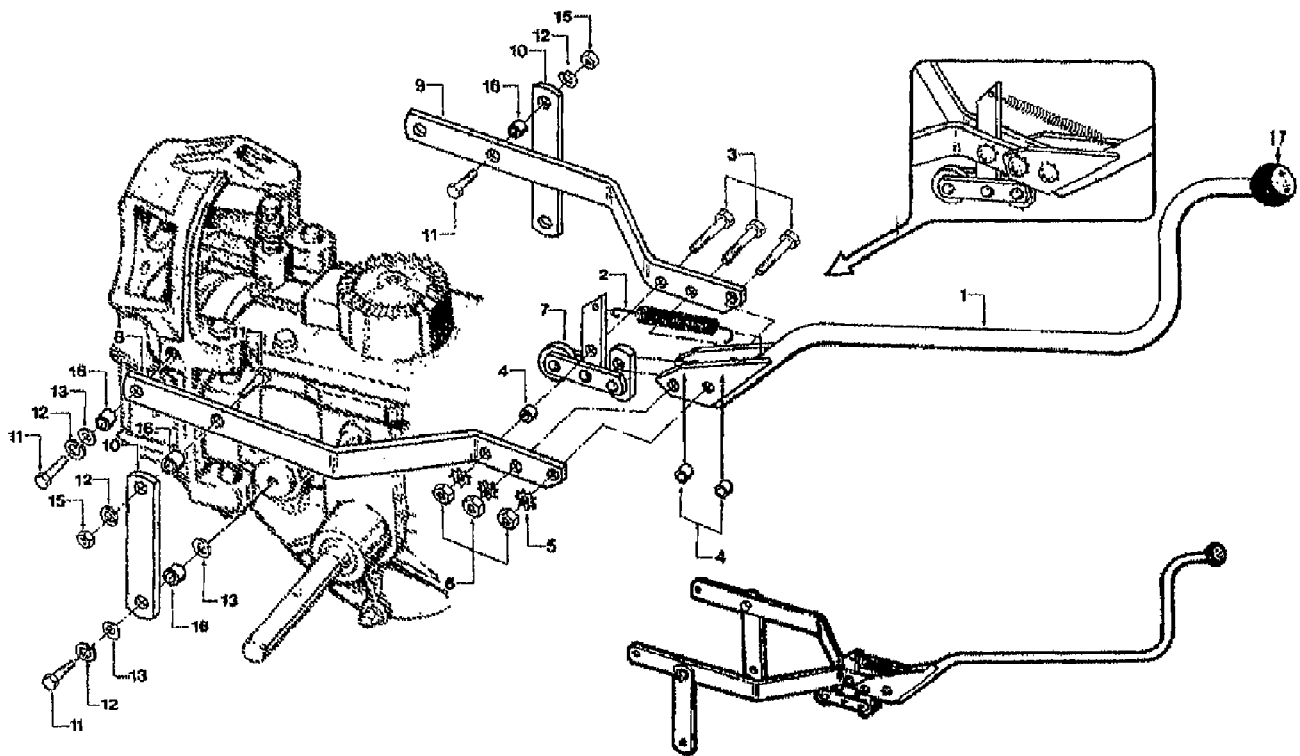
Ref #	Part Number	Qty	S/P/F	Description
1	9362	0	S	PIN-SPRING .125 X 1
2	9838	0		NUT-HEX 1/2-20 (SLOTTED)
3	9934	0	S	WASHER-# SHOULDER ZP
4	9932	0	S	WASHER-# 1.97X1X.118
5	2628	0	S	LVR-W/KNOB (WHEEL SPEED) (INCL. 6 & 18)
6	1902240	0	/P	KNOB-WHEEL SPEED HORSE (INCL. 18 & PLASTIC DECAL INLAY)
7	9317	0	S	PIN-COTTER .094X1.0
8	1231	0	S	ROD-CONNECTING
9	1033	0	S	SWIVEL
10	GW-9902	0	S	WASHER-FLAT 5/16 SAE
11	9338	0	S	PIN-CLIP .08
12	GW-9808	0	S	NUT-H/LK 5/16-18
13	GW-9710	0	S	SCR-HH 3/8-16X1.0 G5 ZP
14	GW-9913	0	S	WASHER-LK .375 @ DEPL
15	9904	0	S	WASHER-FLAT 3/8 SAE
16	0	0		THIS REF. NO. NOT USED
17	1113-1	0	S	BUSHING-.5X.375X.3
18	9120	0	S	RING-TOLERANCE .5325 ID
19	1920	0	S	KIT-ADJ BLOCK 4 SP (INCL. 13, 15 & 20)
20	2100	0	S	BAR-ADJUST, 7" W/MEASURING GAUGE
21	1900766	0		DECAL-STARTING STABIL, B&S
22	GW-9715	0	S	SCR-HH 3/8-24X1.5 G5
23	1919	0	S	KIT-ADJ BLOCK/REV DISC (INCL. 19)
23	GW-2111	0	S	DISC ONLY - REVERSE, RUBBER RIMMED
24	9245	0	S/F	BELT-FORWARD DRIVE
25	1483	0	S	PULLEY-ENG MACH
26	1138-1	0	S	SHIM-1.0X.7656X.062
26	1138-2	0	S	SHIM-1.0X.7656X.031
27	9303	0	S	KEY-.188 SQ X 2.33
28	GW-90008	0	S/F	BOLT-HEX HD., 5/16-18x1", GR 5
29	GW-9801	0	S/F	NUT-HEX 5/16-18 ZP
30	GW-1034	0	S/F	BAR-ENG MTG W/CAP PLUG
31	9147	0	S/F	PLUG-CAP (RED)
32	9572	0	S/F	BOLT-HH 5/16-24X1.125 G5 ZP
33	GW-9912	0	S/F	WASHER-LK .312 ZP
34	2565	0	S/F	MOUNT-MOTOR HSE OPC PNT
35	GW-12068	0	F	TILLER-7HP STD HORSE
35	GW-12069	0	F	TILLER-7HP EL HORSE
37	GW-12070	0	F	TILLER-8HP STD PRO HORSE
37	GW-12071	0	F	TILLER-8HP EL PRO HORSE
35	GW-12074	0	F	TLR-HORSE 8HP STD B&S
35	GW-12075	0	F	TILLER-8HP EL HORSE B&S
35	GW-12080	0	F	OBS-HORSE 7HP STD CA
35	GW-12081	0	F	OBS-HORSE 7HP ELC CA
37	GW-12082	0	F	OBS-HORSE 8HP STD CA
37	GW-12083	0	F	OBS-HORSE 8HP ELC CA
37	12087	0	/P/F	TILLER-7HP T/B STD HORSE
37	GW-12088	0	F	TILLER-7HP T/B ELEC HORSE
35	GW-12089	0	F	TILLER-8 T/B STD HORSE I/P B&S
35	GW-12090	0	F	TILLER-8HP T/B EL HORSE B&S I/P

12088C HORSE-OPC (7&8HP) ROTOTILLER (S/N 120880100101-UP)
WHEEL SPEED LEVER, BELT DRIVE, ENGINE & WHEELS

Page 18 of 20

Ref #	Part Number	Qty	S/P/F	Description
38	GW-55053	0		DECAL-HOT SURFACE
38A	1909064001	0		GUARD-MUFFLER
38B	1902750	0		DECAL-HOT SURFACE
39	1900767	0		DECAL-STABIL STARTING
40	2522	0	S	WEIGHT-ENG ECONO PNT
41	GW-9966	0	S	SCR-HH 5/16-18X2.25 G5ZP
42	20553	0	S	SPACER-.88X.385X.09 ZP
43	9322	0	S/F	PIN-SPIROL .313 X 1.5
45	2709-01	0	S/F	ASSM-TIRE&WHEEL LH GRAY
45A	2709-02	0	S/F	ASSM-TIRE&WHEEL RH GRAY
46	1902020	0	/P/F	CAP-HUB BLK PLASTIC (REPLACES 9145)
	GW-1234-1	0	S/F	TIRE-BTT 4.80/4.00X8.00 (TIRE ONLY)
	GW-2708	0	F	RIM-WHEEL 8" GRAY (WHEEL RIM ONLY)

12088C HORSE-OPC (7&8HP) ROTOTILLER (S/N 120880100101-UP)
WHEELS/TINES/PTO DRIVE LEVER ASSEMBLY



12088C HORSE-OPC (7&8HP) ROTOTILLER (S/N 120880100101-UP)
WHEELS/TINES/PTO DRIVE LEVER ASSEMBLY

Page 20 of 20

Ref #	Part Number	Qty	S/P/F	Description
1	2574	0	S	ASSM-FOR/REV LEVER (INCL. KNOB W/DECAL)
2	1908156	0	/P	SPRING-.436 X 3.25
3	GW-9466	0	S	SCR-HH 5/16-18X1.5 G5 ZP
4	2447	0	S	BUSHING-.5X.316X.375 PM
5	GW-9919	0	S	WASHER-LK .312 EXT TOOTH
6	GW-9801	0	S	NUT-HEX 5/16-18 ZP
7	2232	0	S	ASSM-ROLLER PAINT
8	1900468010	0	/P	YOKE-LH RED
9	1900469010	0	S	YOKE-RH RED
10	1900860010	0	S	YOKE-RED 2164
11	GW-9710	0	S	SCR-HH 3/8-16X1.0 G5 ZP
12	GW-9913	0	S	WASHER-LK .375 @ DEPL
13	9904	0	S	WASHER-FLAT 3/8 SAE
14	0	0		THIS REF. NO. NOT USED
15	GW-9802	0	S	NUT-HEX 3/8-16 ZP
16	1113-1	0	S	BUSHING-.5X.375X.3 (.300")
17	0	0		KNOB - NOT AVAIL. SEPARATELY. SEE REF. NO. 1