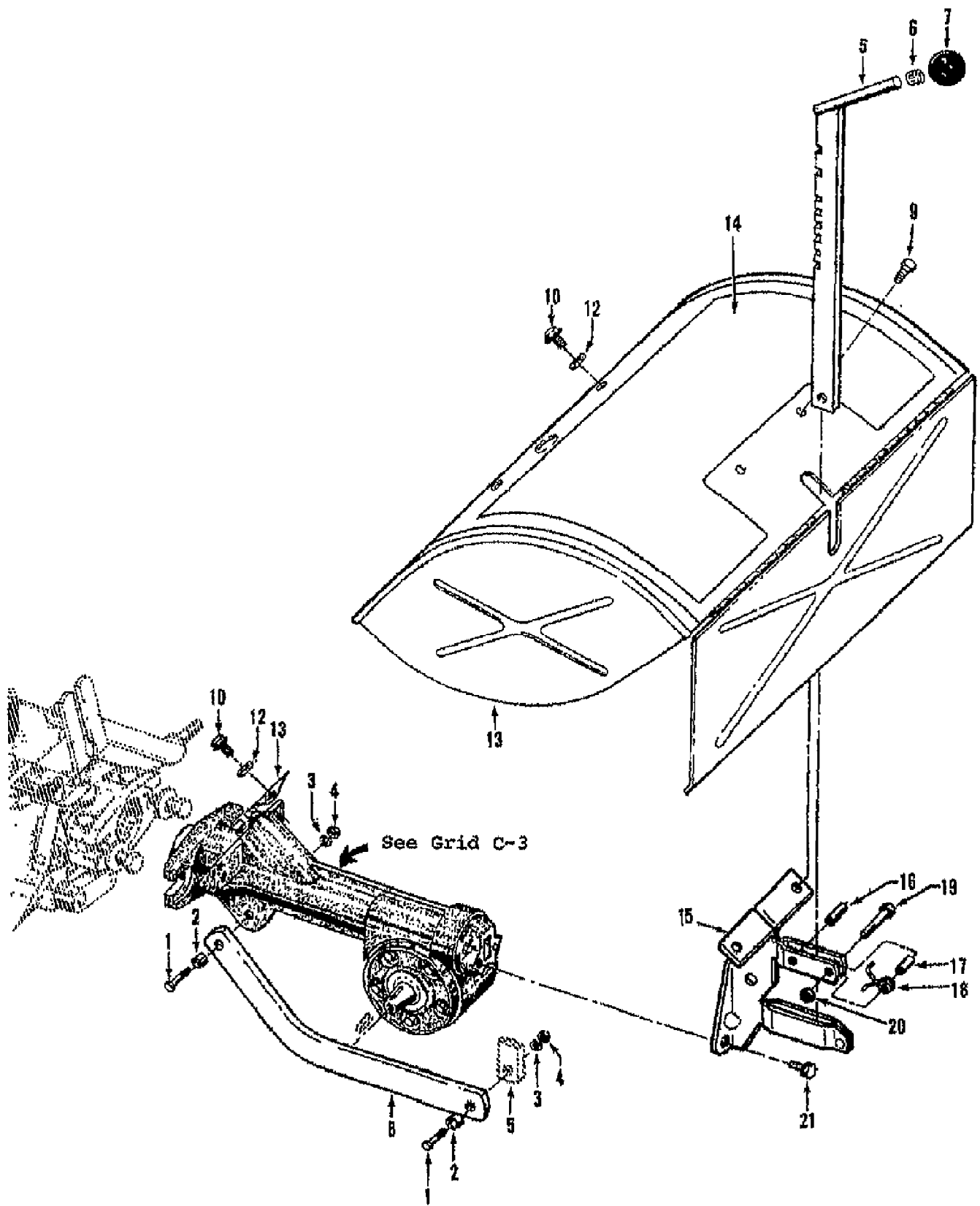


12069 HORSE-OPC (7&8HP) ROTOTILLER (S/N 120690100101-UP)
DEPTH REGULATOR & TIME HOOD ASSEMBLIES

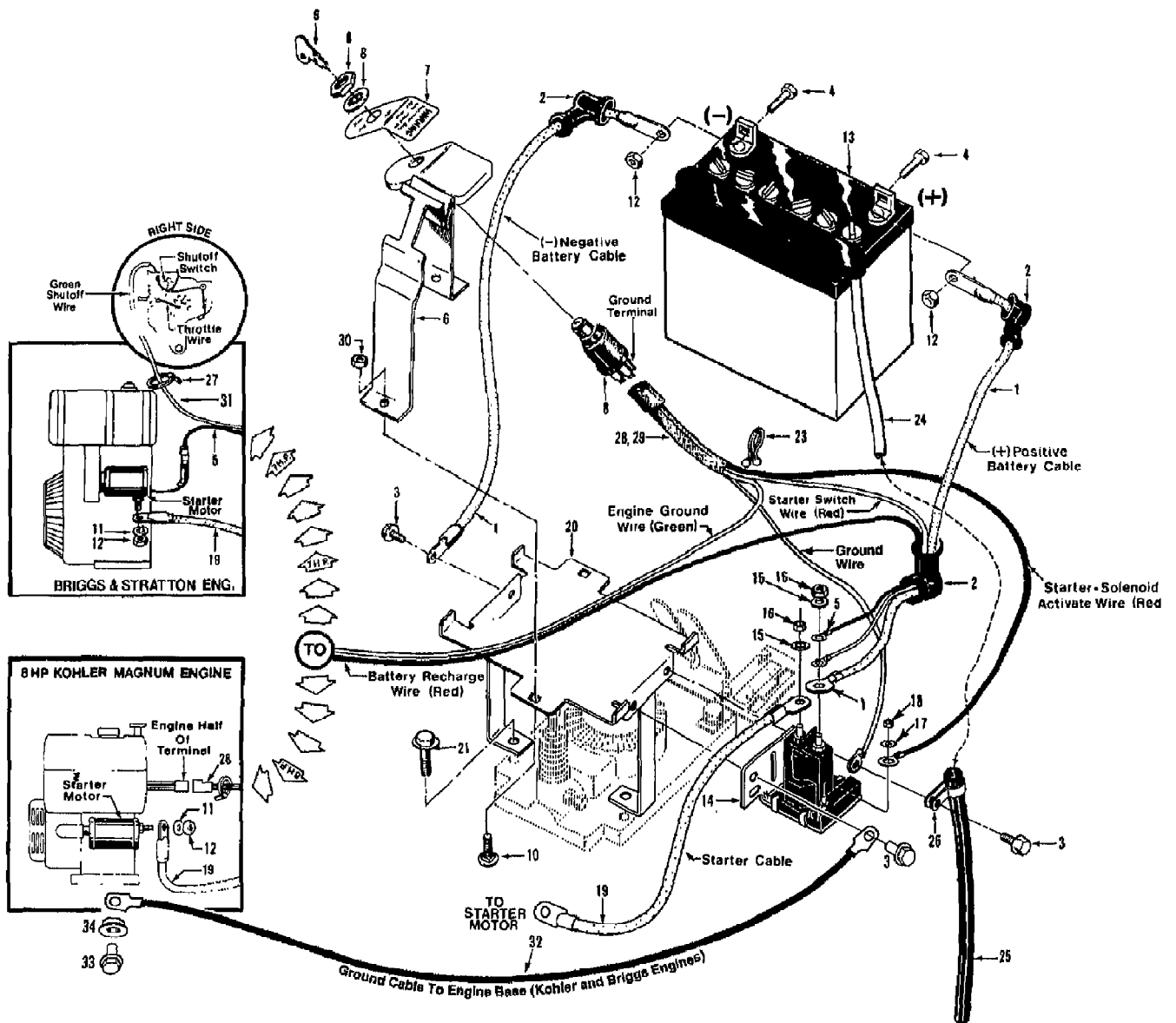


12069 HORSE-OPC (7&8HP) ROTOTILLER (S/N 120690100101-UP)
DEPTH REGULATOR & TIME HOOD ASSEMBLIES

Page 2 of 20

| Ref # | Part Number | Qty | S/P/F | Description |
|-------|-------------|-----|-------|---------------------------|
| 1 | GW-9712 | 0 | S | SCR-HH 3/8-16X1.25 |
| 2 | 1113-1 | 0 | S | BUSHING-.5X.375X.3 |
| 3 | GW-9913 | 0 | S | WASHER-LK .375 @ DEPL |
| 4 | GW-9802 | 0 | S | NUT-HEX 3/8-16 ZP |
| 5 | 1117A | 0 | S | DEPTH REGULATOR W/KNOB |
| 6 | 9120 | 0 | S | RING-TOLERANCE .5325 ID |
| 7 | 9119 | 0 | S | KNOB-CONTROL |
| 8 | 1900867010 | 0 | S | BAR-DRAG RED |
| 9 | 9552 | 0 | S | SCR-HWH 1/4-20 X .5 STH |
| 10 | GW-90044 | 0 | S | SCR-HFLK 5/16-18X.75 ZP |
| 12 | 9929 | 0 | S | WASHER-#1.125X.344 ZP |
| 13 | 2629 | 0 | | HOOD W/DECALS OPC SERVICE |
| 14 | 2719 | 0 | | DECAL-HOOD INST |
| 15 | 2527 | 0 | S | BRKT W/ROLL PIN (9308) |
| 16 | 9308 | 0 | S | PIN-ROLL .25 X 1 |
| 17 | 9534 | 0 | S | SPACER-.250X.343X.375 |
| 18 | 9384 | 0 | S | SPRING-TORSION |
| 19 | GW-9734 | 0 | S | SCR-HH 1/4-20X1.0 |
| 20 | GW-9811 | 0 | S | NUT-LK 1/4-20 |
| 21 | GW-90038 | 0 | S | SCR-HFLK 5/16-18X.62 G5ZP |

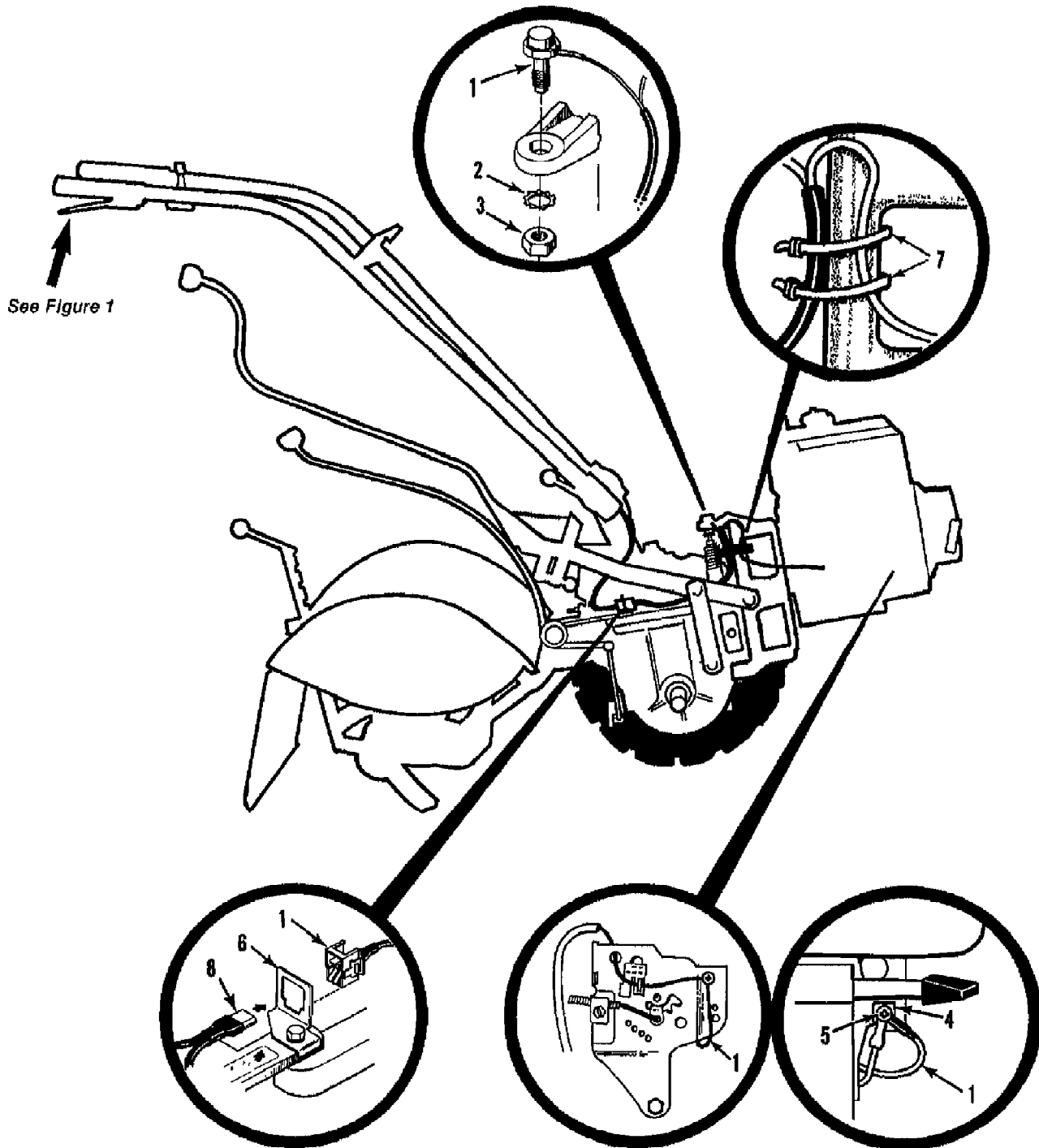
12069 HORSE-OPC (7&8HP) ROTOTILLER (S/N 120690100101-UP)
ELECTRIC START SYSTEM



12069 HORSE-OPC (7&8HP) ROTOTILLER (S/N 120690100101-UP)
ELECTRIC START SYSTEM

Page 4 of 20

| Ref # | Part Number | Qty | S/P/F | Description |
|-------|-------------|-----|-------|--------------------------|
| 1 | 96515 | 0 | S | CABLE-BATTERY 10" |
| 2 | 97020 | 0 | S | BOOT-BATTERY CABLE |
| 3 | 9552 | 0 | S | SCR-HWH 1/4-20 X .5 STH |
| 4 | GW-9780 | 0 | S | SCR-HH 1/4-20X.625 |
| 5 | GW-1554 | 0 | S | WIRE-RECHARGE 5&7 BRIGGS |
| 6 | 1904564 | 0 | S | KEYSWITCH W/DECAL HORSE |
| 7 | 1904548 | 0 | S | DECAL-IGNITION TILLERS |
| 8 | 1908112 | 0 | S | ASSM-KEYSWITCH ELEC TLR |
| 9 | 96520 | 0 | S | KEYS-IGN T/BLAZER 1 PAIR |
| 10 | GW-9566 | 0 | S | SCR-CARR 1/4-20X1.25 |
| 11 | GW-9910 | 0 | S | WASHER-LK .25 ZP |
| 12 | GW-9800 | 0 | S | NUT-HEX 1/4-20 ZP |
| 13 | GW-9092B | 0 | S | BATTERY-12 VOLT HORSE |
| 14 | 96514 | 0 | S | SOLENOID |
| 15 | GW-9912 | 0 | S | WASHER-LK .312 ZP |
| 16 | GW-9826 | 0 | S | NUT-HEX 5/16-24 |
| 17 | 9921 | 0 | S | WASHER-EXTERNAL TOOTH 1 |
| 18 | GW-9809 | 0 | S | NUT-HH M10-32X.125 |
| 19 | 96510 | 0 | S | CABLE-BATTERY 12" |
| 20 | 2571 | 0 | S | BRKT-BATTERY OPC PNT |
| 21 | GW-90047 | 0 | S | SCR-HFLK 3/8-16X1.50 |
| 23 | 9265 | 0 | S | TIE-TWIST LOCK |
| 24 | 9009 | 0 | S | TUBE-VENT BATTERY/HSE |
| 25 | 1475 | 0 | | TUBING-RUBBER |
| 26 | 9224 | 0 | | CLAMP |
| 27 | 9202 | 0 | S | TIE-RED |
| 28 | 1908118 | 0 | S | KIT-WIRE HARNESS ASSM |
| 29 | 1908117 | 0 | | ASSM-WIRE HARNESS |
| 30 | GW-9844 | 0 | S | NUT-HF/LK 1/4-20 ZP |
| 31 | 20421 | 0 | S | ASSM-WIRE SWITCH/GROUND |
| 31 | 1901202 | 0 | /P | CABLE-BATTERY 15" |
| 32 | 1901202 | 0 | /P | CABLE-BATTERY 15" |
| 33 | GW-90045 | 0 | S | SCR-HFLK 5/16-18X1.00 ZP |
| 34 | GW-9848 | 0 | S | NUT-HFLK 5/16-18 ZP |



See Figure 1

BRIGGS & STRATTON

8HP KOHLER

12069 HORSE-OPC (7&8HP) ROTOTILLER (S/N 120690100101-UP)
 FORWARD INTERLOCK SYSTEM

Page 6 of 20

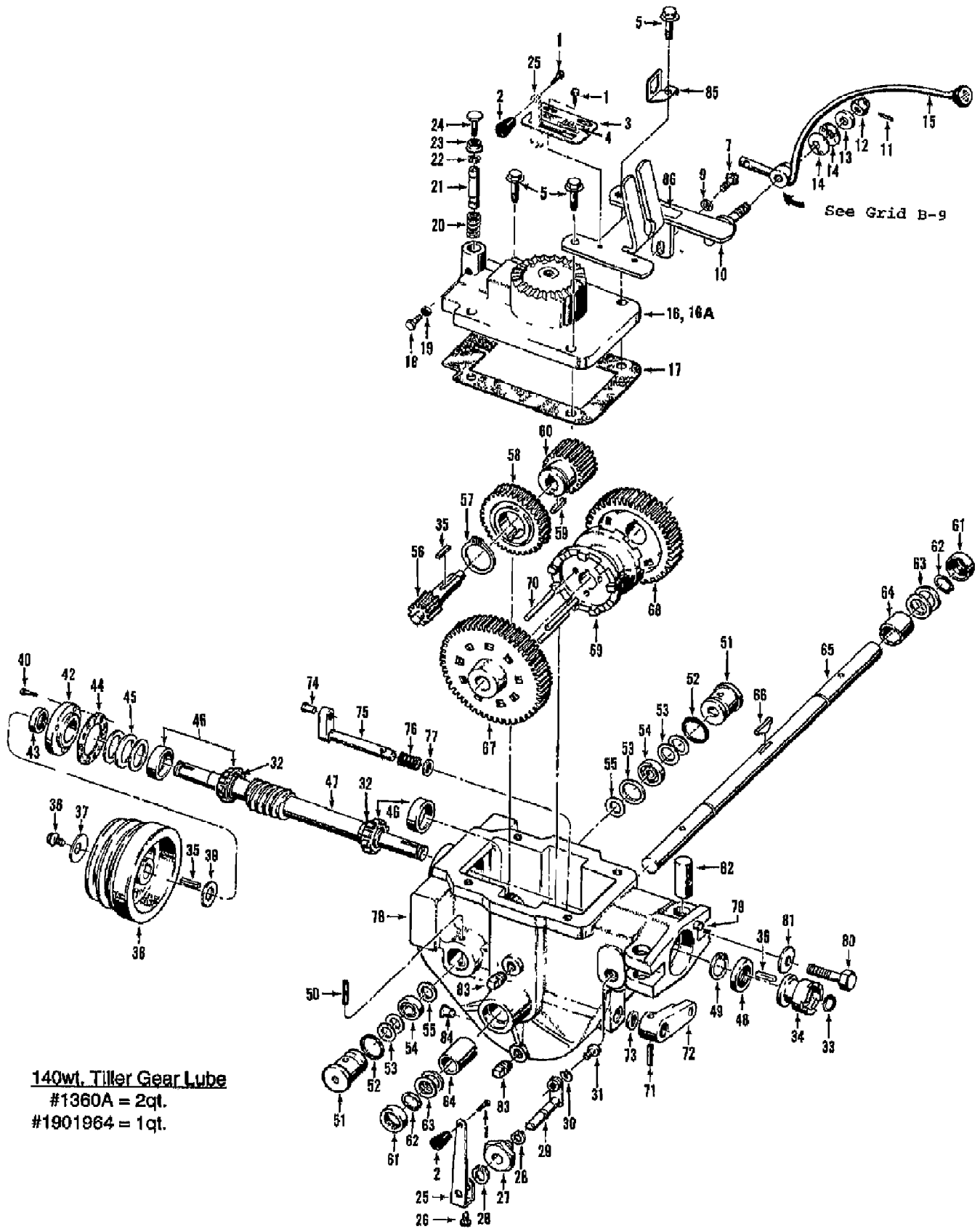
| Ref # | Part Number | Qty | S/P/F | Description |
|-------|-------------|-----|-------|---------------------------|
| 1 | 2552 | 0 | S | HARNESS-WIRE ENG OPC |
| 2 | 9971 | 0 | S | WASHER-LK .438 EXT TOOTH |
| 3 | GW-9851 | 0 | S | NUT-HEX/JAM 7/16-20 |
| 4 | GW-ET69-12 | 0 | F | GROMMET-7 T/L & 8 KOH OPC |
| 5 | GW-ET42-447 | 0 | F | SCR #8-18 SELF TAP |
| 6 | 9205 | 0 | S | CLIP-CONNECTOR |
| 7 | 9202 | 0 | S | TIE-RED |
| 8 | 2551 | 0 | S | HARNESS-WIRE OPC HORSE |

12069 HORSE-OPC (7&8HP) ROTOTILLER (S/N 120690100101-UP)
HANDLE BAR ASSEMBLY

Page 8 of 20

| Ref # | Part Number | Qty | S/P/F | Description |
|-------|-------------|-----|-------|---|
| 1 | 9548 | 0 | S | BOLT 1/2-13X3.5 FH GR5 |
| 2 | 9119 | 0 | S | KNOB-CONTROL (INCL. 3) |
| 3 | 9120 | 0 | S | RING-TOLERANCE .5325 ID |
| 4 | 1881 | 0 | S | STUD-H/BAR W/NUT & RING (INCL. 2,3 & 5) |
| 5 | GW-9803 | 0 | S | NUT-HEX JAM 1/2-13 |
| 6 | 1900854010 | 0 | /P | CLAMP-LH HORSE 1021-1 |
| 7 | 1900856010 | 0 | /P | RATCHET-H/BAR RED 2542-1 |
| 8 | 1900857010 | 0 | /P | RATCHET-RH RED HORSE 2542-2 |
| 9 | 1900855010 | 0 | /P | CLAMP-RH HORSE 1021-2 |
| 10 | 1900858010 | 0 | /P | BASE-H/BAR RED 2534A |
| 11 | 2704 | 0 | S | ASSM-HANDLEBAR W/GRIPS (INCL. 2 OF EA. 12, 17 & 28 AND ONE 13) |
| 12 | 9125 | 0 | S | GRIP-H/BAR SMOOTH |
| 13 | 2715 | 0 | S | DECAL-CONTROL PANEL HORSE |
| 13 | 1904146 | 0 | | DECAL-CONTROL PANEL (11HP) |
| 14 | 9547 | 0 | S | BOLT-CH 1/4-20X2.00 ZP |
| 15 | GW-9844 | 0 | S | NUT-HF/LK 1/4-20 ZP |
| 16 | 9444 | 0 | S | CABLE-THROTTLE 7 I/C B&S {12068/069/080/081/087} |
| 16 | 1909286 | 0 | S | CABLE-THROTTLE 7&8 B&S {12074/075/088/089/090} |
| 16 | 9650 | 0 | | CABLE-THROTTLE 8HP OPC {12070/071/082/083} |
| 17 | 1900763 | 0 | | DECAL-FWD INTERLOCK |
| 18 | 9202 | 0 | S | TIE-RED |
| 19 | 9219 | 0 | S | RETAINER-HARNESS H/B OPC |
| 20 | 2551 | 0 | S | HARNESS-WIRE OPC HORSE |
| 21 | 9250 | 0 | S | SWITCH-H/B OPC |
| 22 | 9385 | 0 | S | PIN-LK .11X.58 HORSE OPC |
| 23 | 2543 | 0 | S | HOUSING-SWITCH OPC |
| 24 | 90039 | 0 | | SCR-HW M10-24X.5 STH ZP |
| 24A | 9733 | 0 | S | SCR-PHS M10-32X.5 STH ZP |
| 25 | 2546 | 0 | S | LEVER-HORSE OPC |
| 26 | 9199 | 0 | S | PIN-PIVOT OPC LEVER |
| 27 | 9514 | 0 | S | RING-KLIP 5304-25 |
| 28 | 9387 | 0 | S | SPRING-H/B LEVER |

12069 HORSE-OPC (7&8HP) ROTOTILLER (S/N 120690100101-UP)
POWER UNIT TRANSMISSION ASSEMBLIES



12069 HORSE-OPC (7&8HP) ROTOTILLER (S/N 120690100101-UP)
POWER UNIT TRANSMISSION ASSEMBLIES

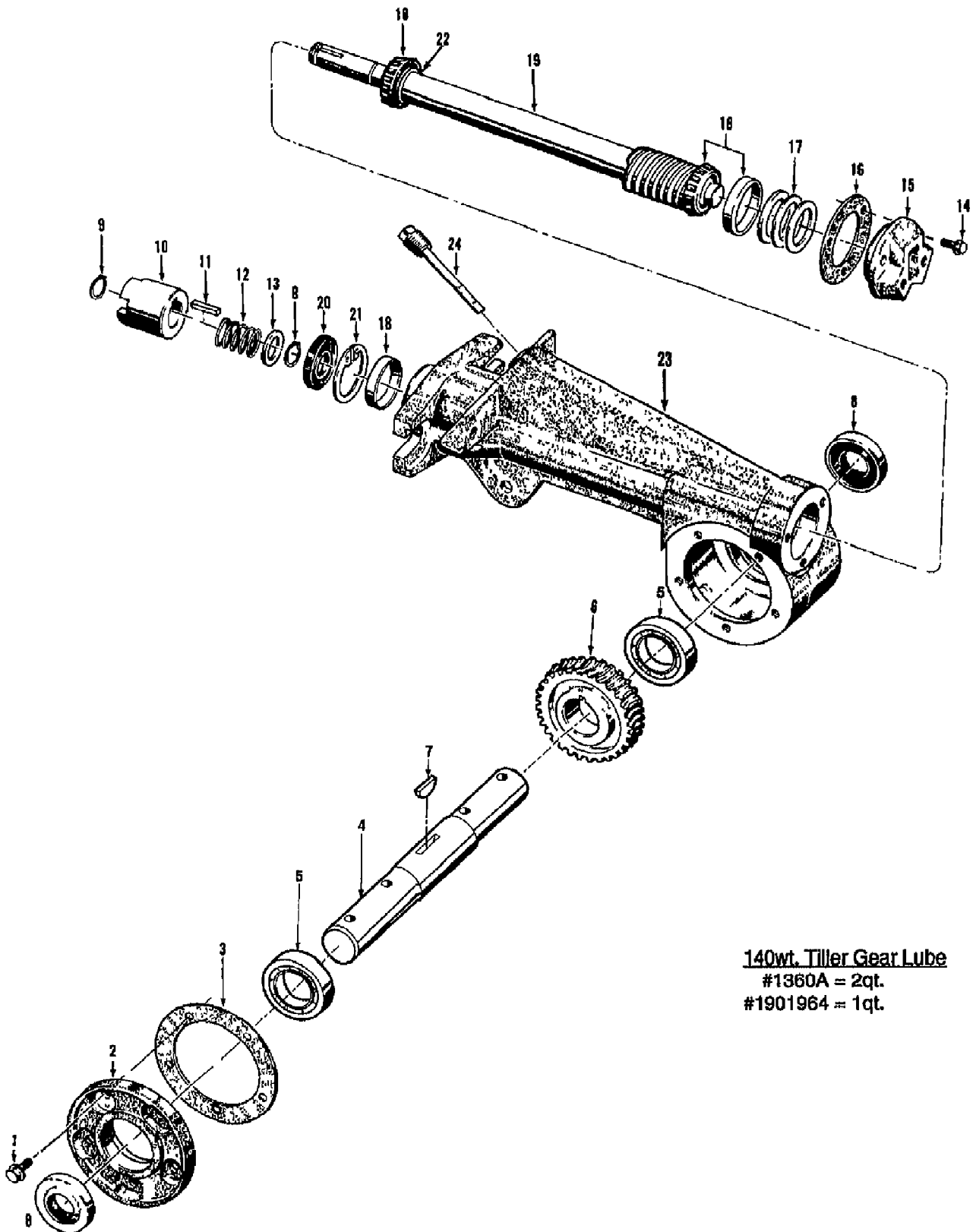
Page 10 of 20

| Ref # | Part Number | Qty | S/P/F | Description |
|-------|-------------|-----|-------|-------------------------------|
| 1 | GW-9782 | 0 | S | SCR 10-32 |
| 2 | 9463 | 0 | S | KNOB-TAPERED |
| 3 | 2263 | 0 | S | PLATE-TINE ENGAGE W/DECAL |
| 4 | 1900758 | 0 | S | DECAL-TINE ENGAGE |
| 5 | GW-90047 | 0 | S | SCR-HFLK 3/8-16X1.50 |
| 7 | GW-90044 | 0 | S | SCR-HFLK 5/16-18X.75 ZP |
| 9 | GW-9902 | 0 | S | WASHER-FLAT 5/16 SAE |
| 10 | 1900870010 | 0 | S | BRKT-H HOOD 2149 |
| 11 | 9362 | 0 | S | PIN-SPRING .125 X 1 |
| 12 | 9838 | 0 | | NUT-HEX 1/2-20 |
| 13 | 9934 | 0 | S | WASHER-# SHOULDER ZP |
| 14 | 9932 | 0 | S | WASHER-# 1.97X1X.118 |
| 15 | 0 | 0 | | THIS REF. NO. NOT USED |
| 16 | 1900869010 | 0 | S | COVER-TRANS RED 2523 |
| 16A | 2566 | 0 | S | ASSM-TRANS COVER OPC |
| 17 | 1123 | 0 | S | GASKET-TRANS COVER |
| 18 | GW-90008 | 0 | S | SCR-HH 5/16-18X1.0 G5 ZP |
| 19 | GW-9801 | 0 | S | NUT-HEX 5/16-18 ZP |
| 20 | 1901439 | 0 | /P | SPRING-REV PLUNGER ZP |
| 21 | 1035 | 0 | S | ASSM-NEUTRAL PLUNGER |
| 22 | 1901440 | 0 | /P | RING-KLIP EXT .594 ID ZP |
| 23 | GW-9831 | 0 | S | NUT-HFLK 3/8-16 ZP |
| 24 | 1902004 | 0 | /P | SCR 3/8-16X1.5 UNC-2AG |
| 25 | 1900878010 | 0 | S | LEVER-ECCENTRIC RED |
| 26 | GW-9743 | 0 | S | SCR-HH 1/4-20X.5 GR5 YEL |
| 27 | 2123 | 0 | S | BUSHING-.87X.5X.62 ECC |
| 28 | 9516 | 0 | S | RING-RETAINING 5100-50 |
| 29 | 2461 | 0 | S | SHAFT-WELD ECCENTRIC |
| 30 | 9911 | 0 | S | WASHER-LK .25 HI-COLLAR |
| 31 | 9672 | 0 | S | SCR-HXSKT 1/4-20X.38 G8 |
| 32 | 1138-1 | 0 | S | SHIM-1.0X.7656X.062 |
| 33 | 9500 | 0 | S | RING-RETAIN EXT .707 ID |
| 34 | GW-2120-3 | 0 | S | KIT-CLUTCH DOGS TILLER |
| 34 | 1909139 | 0 | S | CLUTCH-DOG HORSE TRANS |
| 35 | 9301 | 0 | S | KEY-.188 SQX1.0 |
| 36 | 9655 | 0 | S | SCR-HH 5/16-24X.75 G5 ZP |
| 37 | 9944 | 0 | S | WASHER-.827X.331X.098 |
| 38 | 2107 | 0 | S | PULLEY-TRANS MACH |
| 39 | 50027 | 0 | S | WASHER-SHLDR HARDENED |
| 40 | GW-9579 | 0 | S | SCR-HFLK 1/4-20X.75 G5 ZP |
| 42 | 1900879010 | 0 | S | COVER-FRONT |
| 43 | GW-85030 | 0 | S | SEAL-PINION SHAFT PT/85030/00 |
| 44 | 1124-2 | 0 | S | GASKET-BRG COVER |
| 45 | 1224-1 | 0 | S | SHIM-1.75X1.5X.01 |
| 45 | 1224-2 | 0 | S | SHIM-1.75X1.5X.03 |
| 45 | 1224-3 | 0 | S | SHIM-1.75X1.5X.005 |
| 45 | 1224-4 | 0 | S | SHIM-1.75X1.5X.062 |
| 46 | 1714 | 0 | S | KIT-BRG CONE&RACE-DRIVESHAFT |
| 47 | 11601 | 0 | | KIT-WHEELDRIVE ROLL/WORM |
| 48 | 9617 | 0 | S | SEAL-OIL DRIVESHAFT |
| 49 | 9517 | 0 | S | RING-RETAINING 5000-181 |
| 50 | 9309 | 0 | S | PIN-SPIROL .25 X 2.0 |
| 51 | 1060A | 0 | S | PLUG-PINION BRG W/RING |

12069 HORSE-OPC (7&8HP) ROTOTILLER (S/N 120690100101-UP)
POWER UNIT TRANSMISSION ASSEMBLIES

Page 11 of 20

| Ref # | Part Number | Qty | S/P/F | Description |
|-------|-------------|-----|-------|---------------------------|
| 52 | 9604 | 0 | S | RING-O 1 ID |
| 53 | 1132-1 | 0 | S | SHIM-1.234X1.015X.033 |
| 53 | 1132-2 | 0 | S | SHIM-1.234X1.015X.062 |
| 53 | 1132-3 | 0 | S | SHIM-1.234X1.015X.01 |
| 54 | 9404 | 0 | S | BRG-BALL (7 BALLS) |
| 55 | 1126 | 0 | S | WASHER-# 1X.484X.06 |
| 56 | 1222 | 0 | S | GEAR-SPLINE 10 TEETH MACH |
| 57 | 9502 | 0 | S | RING-RETAINING 5100-150 |
| 58 | 2656 | 0 | S | GEAR-WORM MACH |
| 59 | 9300 | 0 | S | KEY |
| 60 | 1233 | 0 | S | GEAR-SPUR 20 TEETH MACH |
| 61 | 9621 | 0 | S | SEAL-OIL WHEELSHAFT |
| 62 | 9511 | 0 | S | RING-HEAVY EXT .906 ID |
| 63 | 1166-1 | 0 | S | SHIM-1.375X1.015X.062 |
| 63 | 1166-2 | 0 | S | SHIM-1.375X1.015X.03 |
| 63 | 1166-3 | 0 | S | SHIM-1.375X1.015X.015 |
| 63 | 1166-4 | 0 | S | SHIM-1.375X1.015X.01 |
| 63 | 1166-5 | 0 | S | SHIM-1.375X1.015X.005 |
| 64 | 1086 | 0 | S | BUSHING-1.25X1.005X1.5 |
| 65 | 1878 | 0 | S | KIT-WHEELSHAFT |
| 66 | 9357 | 0 | S | KEY-HI PRO .25X1.812 |
| 67 | 1223 | 0 | S | GEAR-SPUR 56 TEETH MACH |
| 68 | 1232 | 0 | S | GEAR-SPUR 46 TEETH MACH |
| 69 | 1237 | 0 | S | CLUTCH-MACH |
| 70 | 1112 | 0 | S | PIN-CLUTCH .25 2.65 |
| 71 | 9307 | 0 | S | PIN-SPIROL .188 X 1.25 |
| 72 | 1900880010 | 0 | S | LEVER-ECC. #1029 |
| 73 | 9622 | 0 | S | SEAL-OIL ECCENTRIC |
| 74 | 1442 | 0 | S | PIN-.375 X .72 |
| 75 | 2712 | 0 | S | SHAFT-ECCENTRIC HORSE TLR |
| 76 | 1441 | 0 | S | SPRING .845 X 1.25 |
| 77 | 1440 | 0 | S | WASHER # .875 X .65 X .06 |
| 78 | 2260 | 0 | S | CASE-TRANS W/PIN |
| 79 | 9359 | 0 | S | PIN-DRIVE .375X.75 ZP |
| 80 | GW-9560 | 0 | S | SCR-HH 1/2-13X2.0 G5 ZP |
| 81 | 9928 | 0 | S | WASHER-DISC SPRING |
| 82 | 2126 | 0 | | POST (TC) |
| 83 | 9726 | 0 | S | PLUG-PIPE 1/4 NPT |
| 84 | 9122 | 0 | S | PLUG-CAP (RED) |
| 85 | 9205 | 0 | S | CLIP-CONNECTOR |
| 86 | 1900759 | 0 | S | DECAL-FWD INTERLOCK WIRE |
| | GW-1360A | 0 | S | OIL (1901964) |
| | GW-1901964 | 0 | | OIL-GEAR 1 QT 140WT |

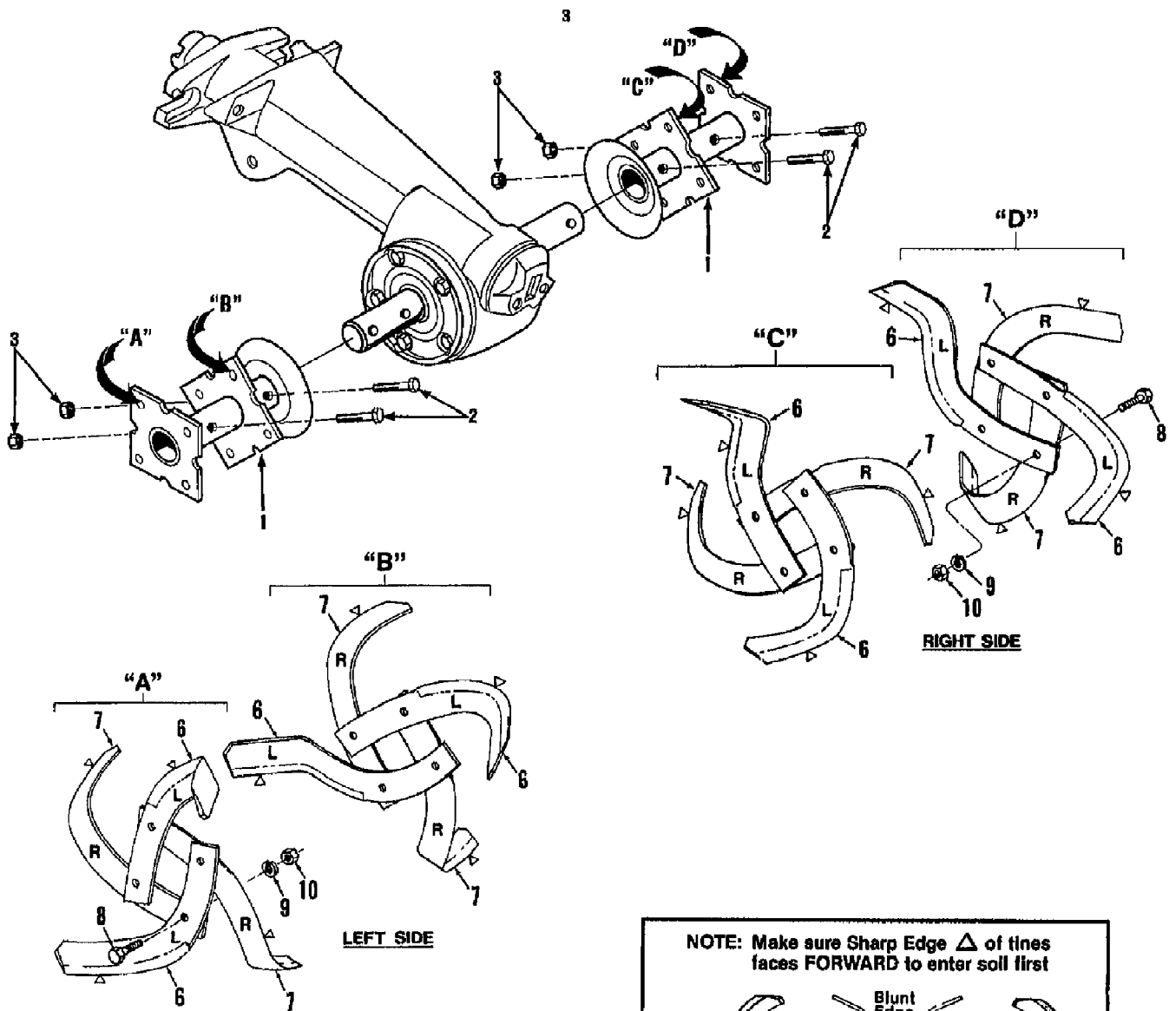


140wt. Tiller Gear Lube
#1360A = 2qt.
#1901964 = 1qt.

12069 HORSE-OPC (7&8HP) ROTOTILLER (S/N 120690100101-UP)
TILLER ATTACHMENT TRANSMISSION ASSEMBLIES

Page 13 of 20

| Ref # | Part Number | Qty | S/P/F | Description |
|-------|-------------|-----|-------|------------------------------|
| 1 | 1915087 | 0 | /P | KIT-SEALING SCRS (5)W/LIT |
| 2 | 20873 | 0 | S | COVER-TILLER HSG MACH |
| 3 | 1129-1 | 0 | S | GASKET-TILLER COVER |
| 3 | 1129-2 | 0 | S | GASKET-TILLER COVER |
| 4 | 1901972 | 0 | S | SHAFT-TILLER MACH HORSE |
| 5 | 97074 | 0 | S | BEARING-BALL |
| 6 | 1901976 | 0 | /P | GEAR-WORM MACH RTH HORSE |
| 7 | 1104 | 0 | S | KEY-WOODRUFF .25X1.12 |
| 8 | 97073 | 0 | S | SEAL-TILLER SHAFT |
| 9 | 9500 | 0 | S | RING-RETAIN EXT .707 ID |
| 10 | GW-2120-1 | 0 | S | KIT-CLUTCH DOGS TILLER |
| 10 | 1909138 | 0 | S | CLUTCH-DOG HORSE TRANS |
| 11 | 9301 | 0 | S | KEY-.188 SQX1.0 |
| 12 | 2127 | 0 | S | SPRING (TC) |
| 13 | 1138-1 | 0 | S | SHIM-1.0X.7656X.062 |
| 14 | 1915089 | 0 | /P | KIT-SEALING SCRS (3) |
| 15 | 1900881010 | 0 | S | CAP-REAR #1115 |
| 16 | 1124-2 | 0 | S | GASKET-BRG COVER |
| 17 | 1224-1 | 0 | S | SHIM-1.75X1.5X.01 |
| 17 | 1224-2 | 0 | S | SHIM-1.75X1.5X.03 |
| 17 | 1224-3 | 0 | S | SHIM-1.75X1.5X.005 |
| 17 | 1224-4 | 0 | S | SHIM-1.75X1.5X.062 |
| 18 | 1714 | 0 | S | KIT-BRG CONE&RACE-DRIVESHAFT |
| 19 | 11602 | 0 | S | KIT-TILLER DR SHAFT |
| 20 | 9617 | 0 | S | SEAL-OIL DRIVESHAFT |
| 21 | 9517 | 0 | S | RING-RETAINING 5000-181 |
| 22 | 1138-1 | 0 | S | SHIM-1.0X.7656X.062 |
| 23 | 1902000 | 0 | /P | HOUSING-TILLER W/SLEEVE |
| 24 | 1909157 | 0 | | ASSM-DIPSTICK HORSE TRANS |
| | GW-1360A | 0 | S | OIL (1901964) |
| | GW-1901964 | 0 | | OIL-GEAR 1 QT 140WT |



LEGEND
 △ = Sharp Edge
 L = Left Bolo Tine
 R = Right Bolo Tine

NOTE: Make sure Sharp Edge △ of tines faces FORWARD to enter soil first

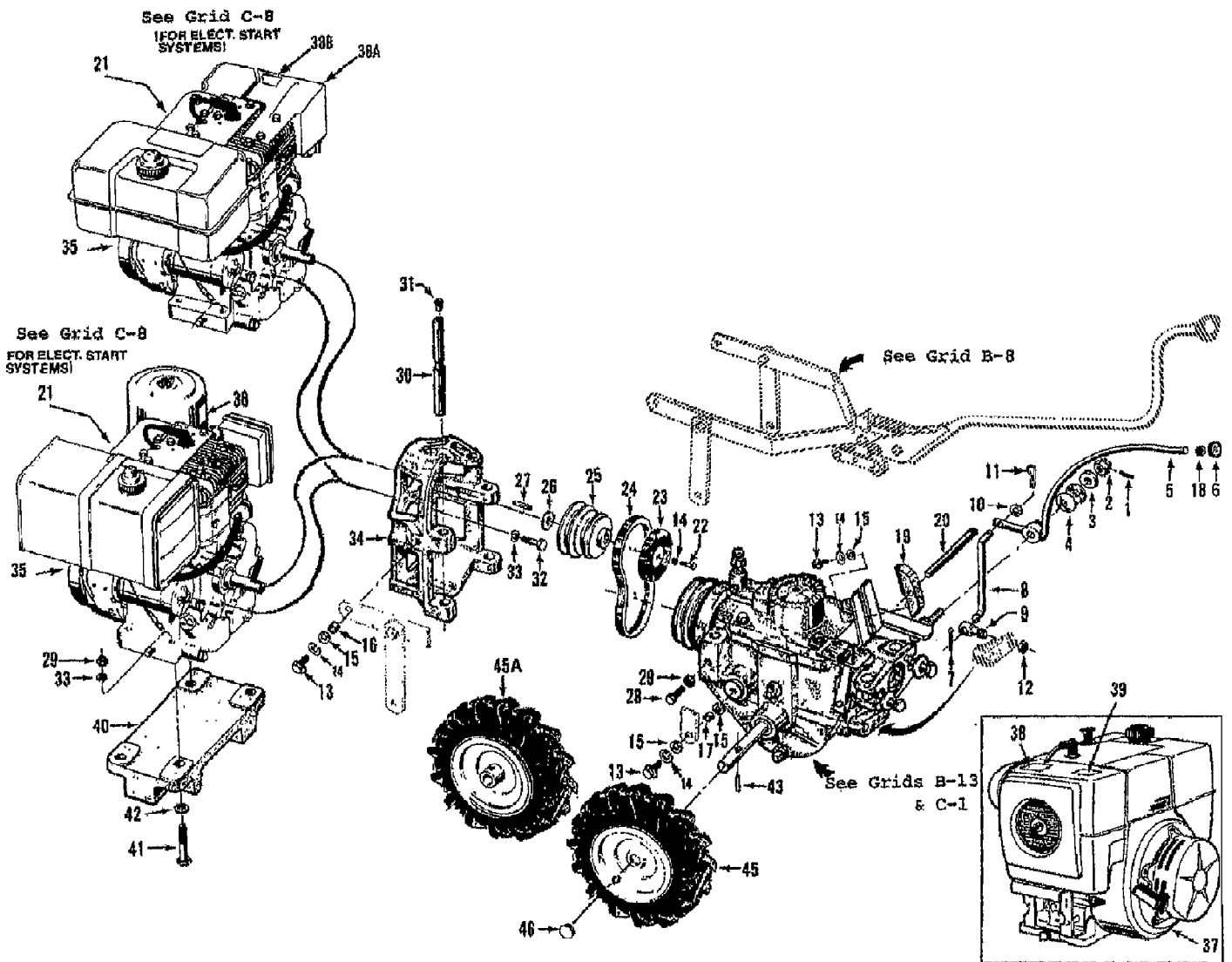
LEFT HAND TINE RIGHT HAND TINE
 (As viewed with blunt edge facing you.)

12069 HORSE-OPC (7&8HP) ROTOTILLER (S/N 120690100101-UP)
TINE ASSEMBLIES

Page 15 of 20

| Ref # | Part Number | Qty | S/P/F | Description |
|-------|-------------|-----|-------|---|
| 1 | 1901975010 | 0 | S | HOLDER-TINE HORSE (RED) |
| 2 | GW-9761 | 0 | S | SCR-HH 3/8-16X2.00 G8 |
| 3 | GW-9807 | 0 | S | NUT-H/LK 3/8-16 |
| 6 | 1270-1A | 0 | S | TINE-BOLO LT W/HDW(INCL. TWO EACH OF REF. NO.'S 8,9 AND 10) |
| 7 | 1270-2A | 0 | S | TINE-BOLO RT W/HDW(INCL. SAME HARDWARE AS REF. NO.6) |
| 8 | GW-9711 | 0 | S | SCR-HH 3/8-16X1.0 G5 ZP |
| 9 | GW-9913 | 0 | S | WASHER-LK .375 @ DEPL |
| 10 | GW-9802 | 0 | S | NUT-HEX 3/8-16 ZP |
| | 1901118 | 0 | S/F | TINES-BOLO HORSE/PONY/ECONO |
| | 10802 | 0 | S/F | TINES-CUSTOM TILLING |
| | 2475-1 | 0 | S | TINE-HARD FACED LT |
| | 2475-2 | 0 | S | TINE-HARD FACED RT |
| | GW-9807 | 0 | S/F | NUT-H/LK 3/8-16 |

12069 HORSE-OPC (7&8HP) ROTOTILLER (S/N 120690100101-UP)
 WHEEL SPEED LEVER, BELT DRIVE, ENGINE & WHEELS



WHEEL & TIRE ASSY --Bar Tread
 INDIVIDUAL SERVICE PARTS
 # 1234-1 - TIRE ONLY
 # 2708 - WHEEL RIM ONLY (GREY)

12069 HORSE-OPC (7&8HP) ROTOTILLER (S/N 120690100101-UP)
WHEEL SPEED LEVER, BELT DRIVE, ENGINE & WHEELS

Page 17 of 20

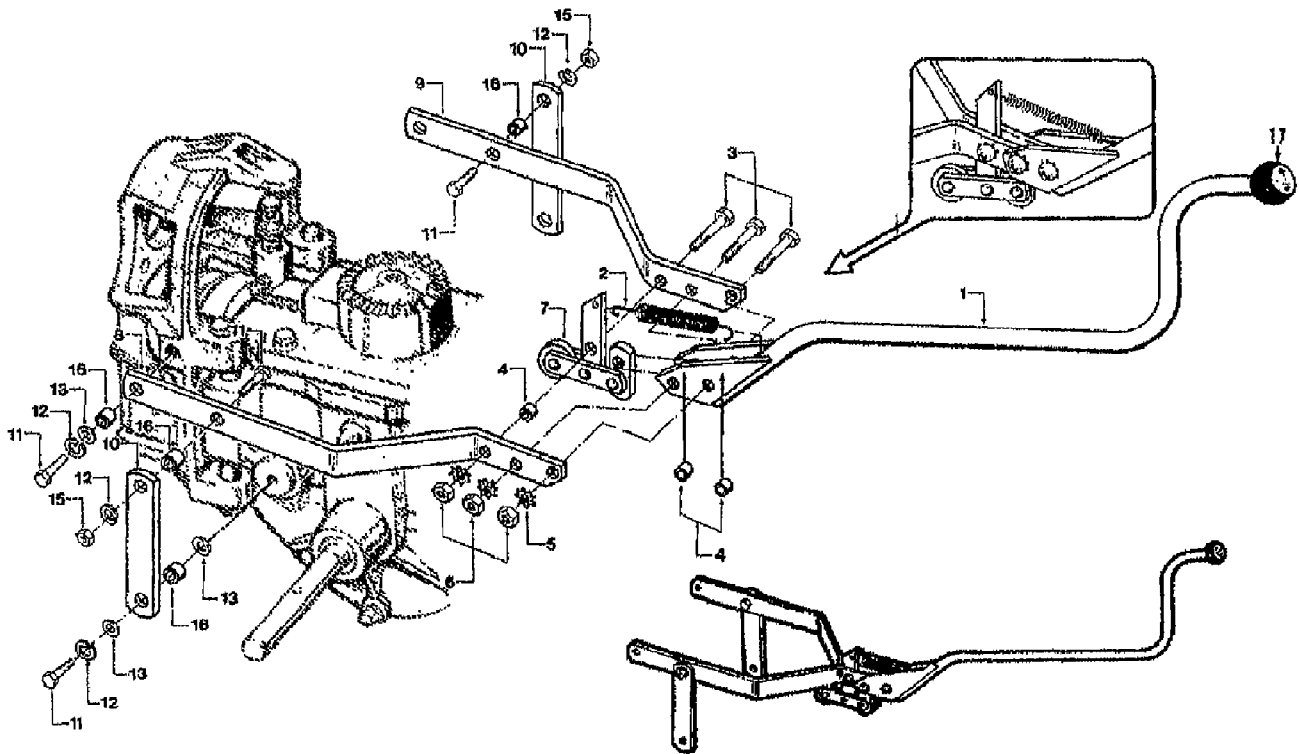
| Ref # | Part Number | Qty | S/P/F | Description |
|-------|-------------|-----|-------|---|
| 1 | 9362 | 0 | S | PIN-SPRING .125 X 1 |
| 2 | 9838 | 0 | | NUT-HEX 1/2-20 (SLOTTED) |
| 3 | 9934 | 0 | S | WASHER-# SHOULDER ZP |
| 4 | 9932 | 0 | S | WASHER-# 1.97X1X.118 |
| 5 | 2628 | 0 | S | LVR-W/KNOB (WHEEL SPEED) (INCL. 6 & 18) |
| 6 | 1902240 | 0 | /P | KNOB-WHEEL SPEED HORSE (INCL. 18 & PLASTIC DECAL INLAY) |
| 7 | 9317 | 0 | S | PIN-COTTER .094X1.0 |
| 8 | 1231 | 0 | S | ROD-CONNECTING |
| 9 | 1033 | 0 | S | SWIVEL |
| 10 | GW-9902 | 0 | S | WASHER-FLAT 5/16 SAE |
| 11 | 9338 | 0 | S | PIN-CLIP .08 |
| 12 | GW-9808 | 0 | S | NUT-H/LK 5/16-18 |
| 13 | GW-9710 | 0 | S | SCR-HH 3/8-16X1.0 G5 ZP |
| 14 | GW-9913 | 0 | S | WASHER-LK .375 @ DEPL |
| 15 | 9904 | 0 | S | WASHER-FLAT 3/8 SAE |
| 16 | 0 | 0 | | THIS REF. NO. NOT USED |
| 17 | 1113-1 | 0 | S | BUSHING-.5X.375X.3 |
| 18 | 9120 | 0 | S | RING-TOLERANCE .5325 ID |
| 19 | 1920 | 0 | S | KIT-ADJ BLOCK 4 SP (INCL. 13, 15 & 20) |
| 20 | 2100 | 0 | S | BAR-ADJUST, 7" W/MEASURING GAUGE |
| 21 | 1900766 | 0 | | DECAL-STARTING STABIL, B&S |
| 22 | GW-9715 | 0 | S | SCR-HH 3/8-24X1.5 G5 |
| 23 | GW-1919 | 0 | /P | KIT-ADJ BLOCK/REV DISC (INCL. 19) |
| 23 | GW-2111 | 0 | S | DISC ONLY - REVERSE, RUBBER RIMMED |
| 24 | 9245 | 0 | S/F | BELT-FORWARD DRIVE |
| 25 | 1483 | 0 | S | PULLEY-ENG MACH |
| 26 | 1138-1 | 0 | S | SHIM-1.0X.7656X.062 |
| 26 | 1138-2 | 0 | S | SHIM-1.0X.7656X.031 |
| 27 | 9303 | 0 | S | KEY-.188 SQ X 2.33 |
| 28 | GW-90008 | 0 | S/F | BOLT-HEX HD., 5/16-18x1", GR 5 |
| 29 | GW-9801 | 0 | S/F | NUT-HEX 5/16-18 ZP |
| 30 | GW-1034 | 0 | S/F | BAR-ENG MTG W/CAP PLUG |
| 31 | 9147 | 0 | S/F | PLUG-CAP (RED) |
| 32 | 9572 | 0 | S/F | BOLT-HH 5/16-24X1.125 G5 ZP |
| 33 | GW-9912 | 0 | S/F | WASHER-LK .312 ZP |
| 34 | 2565 | 0 | S/F | MOUNT-MOTOR HSE OPC PNT |
| 35 | GW-12068 | 0 | F | TILLER-7HP STD HORSE |
| 35 | GW-12069 | 0 | F | TILLER-7HP EL HORSE |
| 37 | GW-12070 | 0 | F | TILLER-8HP STD PRO HORSE |
| 37 | GW-12071 | 0 | F | TILLER-8HP EL PRO HORSE |
| 35 | GW-12074 | 0 | F | TLR-HORSE 8HP STD B&S |
| 35 | GW-12075 | 0 | F | TILLER-8HP EL HORSE B&S |
| 35 | GW-12080 | 0 | F | OBS-HORSE 7HP STD CA |
| 35 | GW-12081 | 0 | F | OBS-HORSE 7HP ELC CA |
| 37 | GW-12082 | 0 | F | OBS-HORSE 8HP STD CA |
| 37 | GW-12083 | 0 | F | OBS-HORSE 8HP ELC CA |
| 37 | 12087 | 0 | /P/F | TILLER-7HP T/B STD HORSE |
| 37 | GW-12088 | 0 | F | TILLER-7HP T/B ELEC HORSE |
| 35 | GW-12089 | 0 | F | TILLER-8 T/B STD HORSE I/P B&S |
| 35 | GW-12090 | 0 | F | TILLER-8HP T/B EL HORSE B&S I/P |

12069 HORSE-OPC (7&8HP) ROTOTILLER (S/N 120690100101-UP)
WHEEL SPEED LEVER, BELT DRIVE, ENGINE & WHEELS

Page 18 of 20

| Ref # | Part Number | Qty | S/P/F | Description |
|-------|-------------|-----|-------|-------------------------------------|
| 38 | 55053 | 0 | | DECAL-HOT SURFACE |
| 38A | 1909064001 | 0 | | GUARD-MUFFLER |
| 38B | 1902750 | 0 | | DECAL-HOT SURFACE |
| 39 | 1900767 | 0 | | DECAL-STABIL STARTING |
| 40 | 2522 | 0 | S | WEIGHT-ENG ECONO PNT |
| 41 | GW-9966 | 0 | S | SCR-HH 5/16-18X2.25 G5ZP |
| 42 | 20553 | 0 | S | SPACER-.88X.385X.09 ZP |
| 43 | 9322 | 0 | S/F | PIN-SPIROL .313 X 1.5 |
| 45 | 2709-01 | 0 | S/F | ASSM-TIRE&WHEEL LH GRAY |
| 45A | 2709-02 | 0 | S/F | ASSM-TIRE&WHEEL RH GRAY |
| 46 | 1902020 | 0 | /P/F | CAP-HUB BLK PLASTIC (REPLACES 9145) |
| | GW-1234-1 | 0 | S/F | TIRE-BTT 4.80/4.00X8.00 (TIRE ONLY) |
| | GW-2708 | 0 | F | RIM-WHEEL 8" GRAY (WHEEL RIM ONLY) |

12069 HORSE-OPC (7&8HP) ROTOTILLER (S/N 120690100101-UP)
WHEELS/TINES/PTO DRIVE LEVER ASSEMBLY



12069 HORSE-OPC (7&8HP) ROTOTILLER (S/N 120690100101-UP)
WHEELS/TINES/PTO DRIVE LEVER ASSEMBLY

Page 20 of 20

| Ref # | Part Number | Qty | S/P/F | Description |
|-------|-------------|-----|-------|--|
| 1 | 2574 | 0 | S | ASSM-FOR/REV LEVER (INCL. KNOB W/DECAL) |
| 2 | 1908156 | 0 | /P | SPRING-.436 X 3.25 |
| 3 | GW-9466 | 0 | S | SCR-HH 5/16-18X1.5 G5 ZP |
| 4 | 2447 | 0 | S | BUSHING-.5X.316X.375 PM |
| 5 | GW-9919 | 0 | S | WASHER-LK .312 EXT TOOTH |
| 6 | GW-9801 | 0 | S | NUT-HEX 5/16-18 ZP |
| 7 | 2232 | 0 | S | ASSM-ROLLER PAINT |
| 8 | 1900468010 | 0 | /P | YOKE-LH RED |
| 9 | 1900469010 | 0 | S | YOKE-RH RED |
| 10 | 1900860010 | 0 | S | YOKE-RED 2164 |
| 11 | GW-9710 | 0 | S | SCR-HH 3/8-16X1.0 G5 ZP |
| 12 | GW-9913 | 0 | S | WASHER-LK .375 @ DEPL |
| 13 | 9904 | 0 | S | WASHER-FLAT 3/8 SAE |
| 15 | GW-9802 | 0 | S | NUT-HEX 3/8-16 ZP |
| 16 | 1113-1 | 0 | S | BUSHING-.5X.375X.3 (.300") |
| 17 | 0 | 0 | | KNOB - NOT AVAIL. SEPARATELY. SEE REF. NO. 1 |