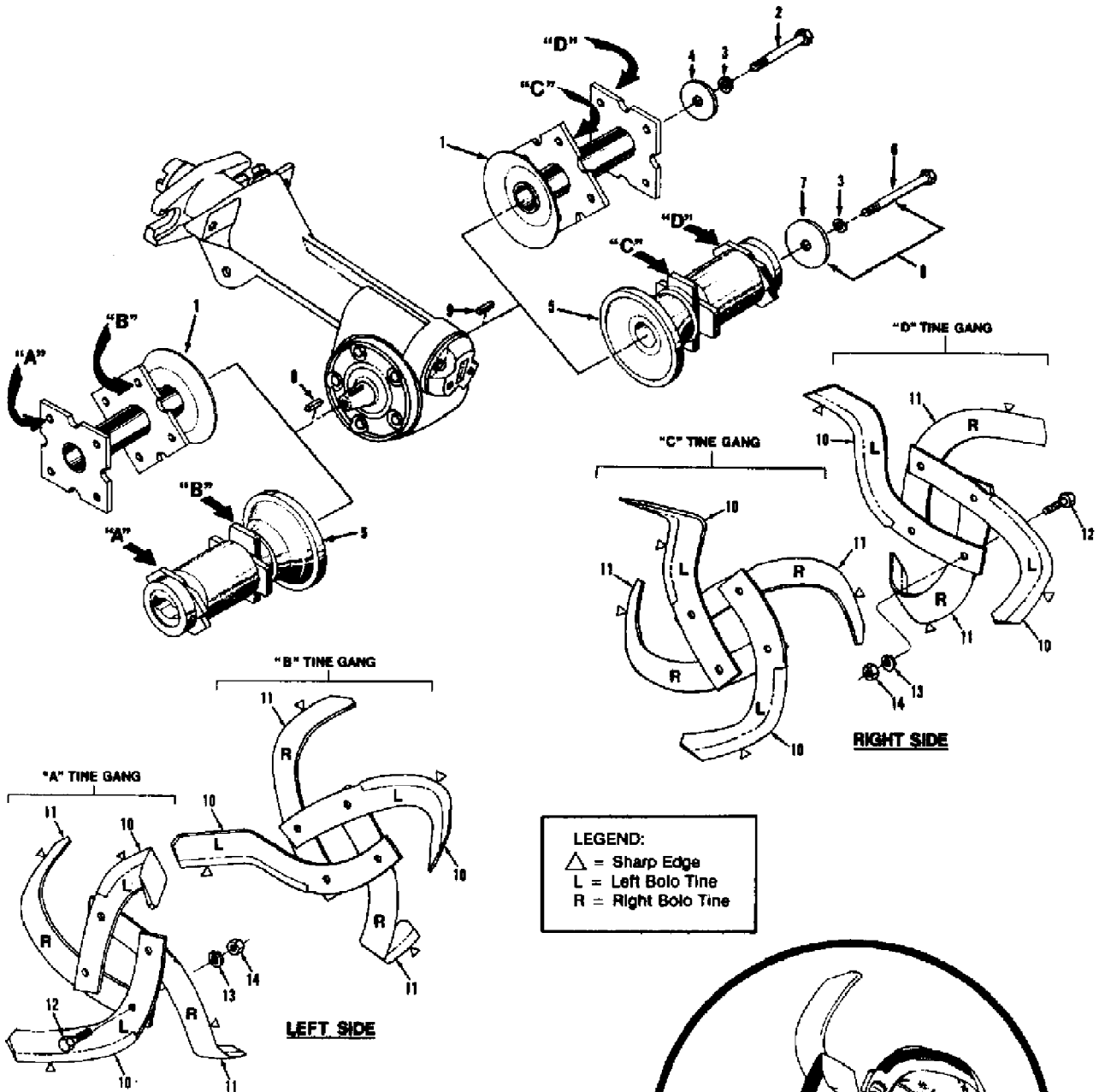


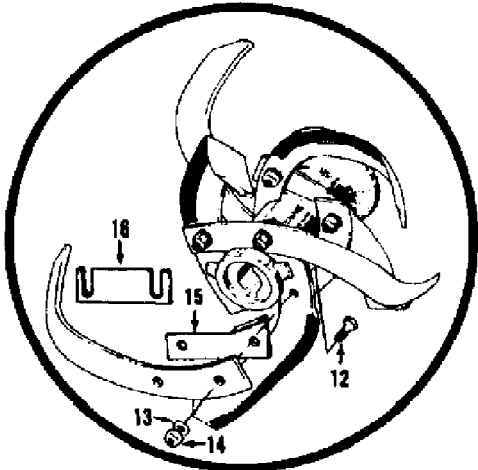
10056 Horse III (S/N 640000-855638)
Bolo Tine Assemblies



LEGEND:
 △ = Sharp Edge
 L = Left Bolo Tine
 R = Right Bolo Tine

NOTE: Make sure Sharp Edge △ of tines faces FORWARD to enter soil first

LEFT HAND TINE **RIGHT HAND TINE**
 (As viewed with blunt edge facing you.)



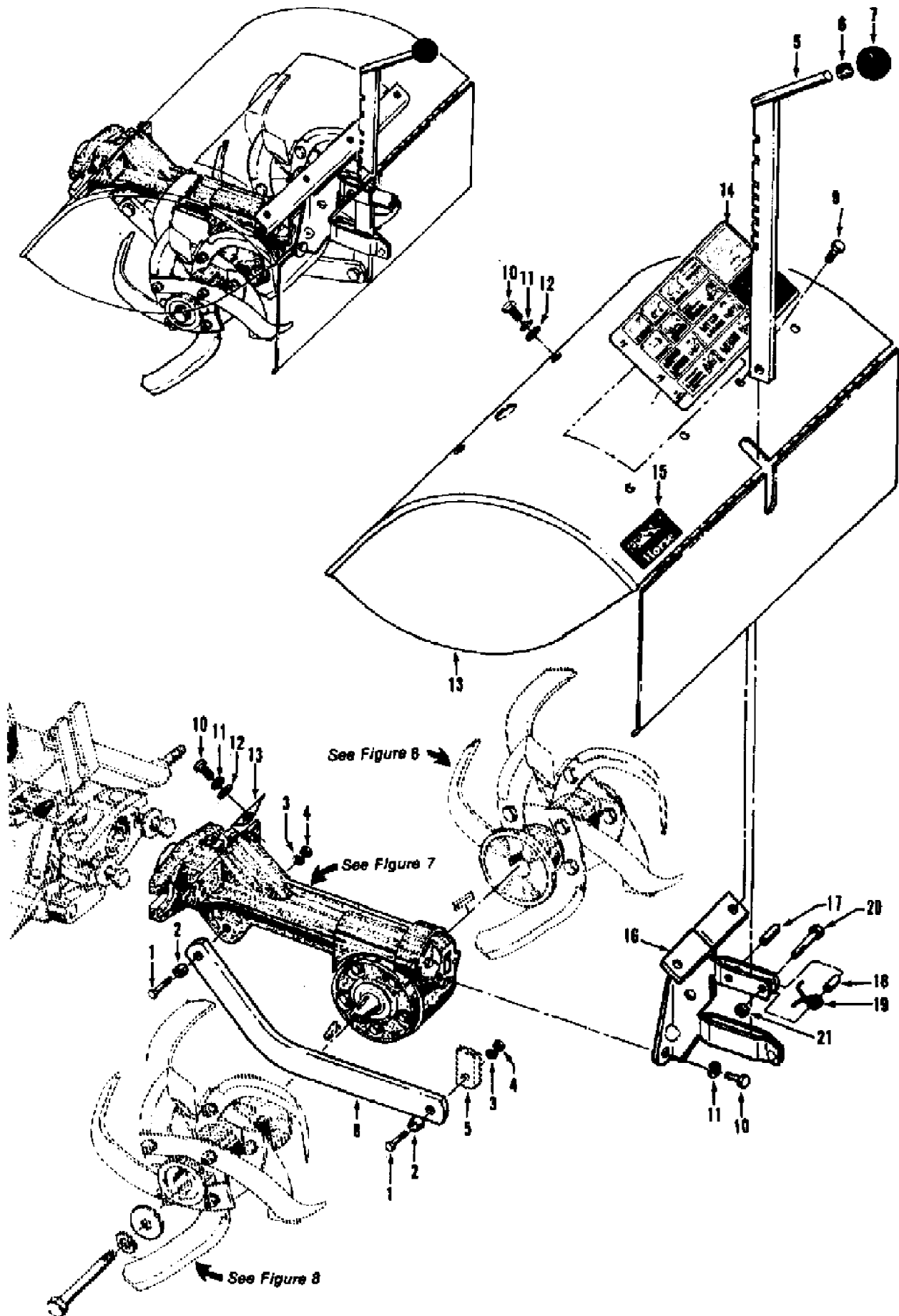
SHIMS SHOWN ABOVE USED FOR TINES MOUNTED ON CAST IRON TINE HOLDERS

10056 Horse III (S/N 640000-855638)
Bolo Tine Assemblies

Page 2 of 25

Ref #	Part Number	Qty	S/P/F	Description
1	GW-2415	2	S/F	TINE HOLDER- welded steel. For left or right side of tiller.
2	GW-9669	2		BOLT - hex hd., 1/2"-20 x 4-3/4" long. Mounts Part #2415 welded steel tine holder on tine shaft
3	GW-9914	2	S	LOCKWASHER-1/2", holder mounting
4	GW-9952	2		WASHER - flat. Outer dia. 1.500", inner dia. .516",thickness .182". Use with Part 119669 bolt only
5	GW-1205	2	F	TINE HOLDER - cast iron. For left or right side of tiller.
6	GW-1463	2		BOLT - hex hd.,1/2"-20 x 5-3/4" long. Mounts Part #1205 cast iron tine holder on tine shaft
7	GW-1461	2		WASHER - flat. Outer dia. 1-3/4", inner dia. 17/32". Use with Part #1463 bolt only
8	GW-1735	1		BOLT 8 WASHER SET - Includes one each Part #1483 bolt, #9914 lockwasher and #1461 washer. Use with Part 81205 tine holder only
9	GW-9301	2	S	KEY - tine shaft 3/16" square x 1" long
10	GW-1270-1A	8	S	BOLO TINE - single, Left Hand. Used on left and right side tine assemblies. Tine is stamped either "F1" or "AL"
11	GW-1270-2A	8	S	BOLO TINE- single, Right Hand. Used on left and right side tine assemblies. Tine is stamped either "ER" or "AR"
12	GW-9711	16	S	BOLT - hex hd., 3/8"-16 x 1", tine mounting
13	GW-9913	16	S	LOCKWASHER-3/8" tine mounting
14	GW-9802	16	S	NUT- hex, 3/8"-16, tine mounting
15	GW-2253	1		TINE SHIM - used as needed to correct loose-fitting tines mounted on cast iron tine holders only
16	GW-2254	1		TINE SHIM - used as needed to correct loose-fitting tines mounted on cast iron tine holders only
	GW-1245K	1	S/F	TINE REPLACEMENT KIT- unassembled.
	GW-10355	1	F	WELDED STEEL TINE HOLDER REPLACEMENT KIT - Includes one each of Part #2415 welded steel tine holder, #9669 bolt, #9914 lockwasher and #9952 washer. Order two kits if replacing both holders.

10056 Horse III (S/N 640000-855638)
Depth Regulator & Tine Hood Assemblies

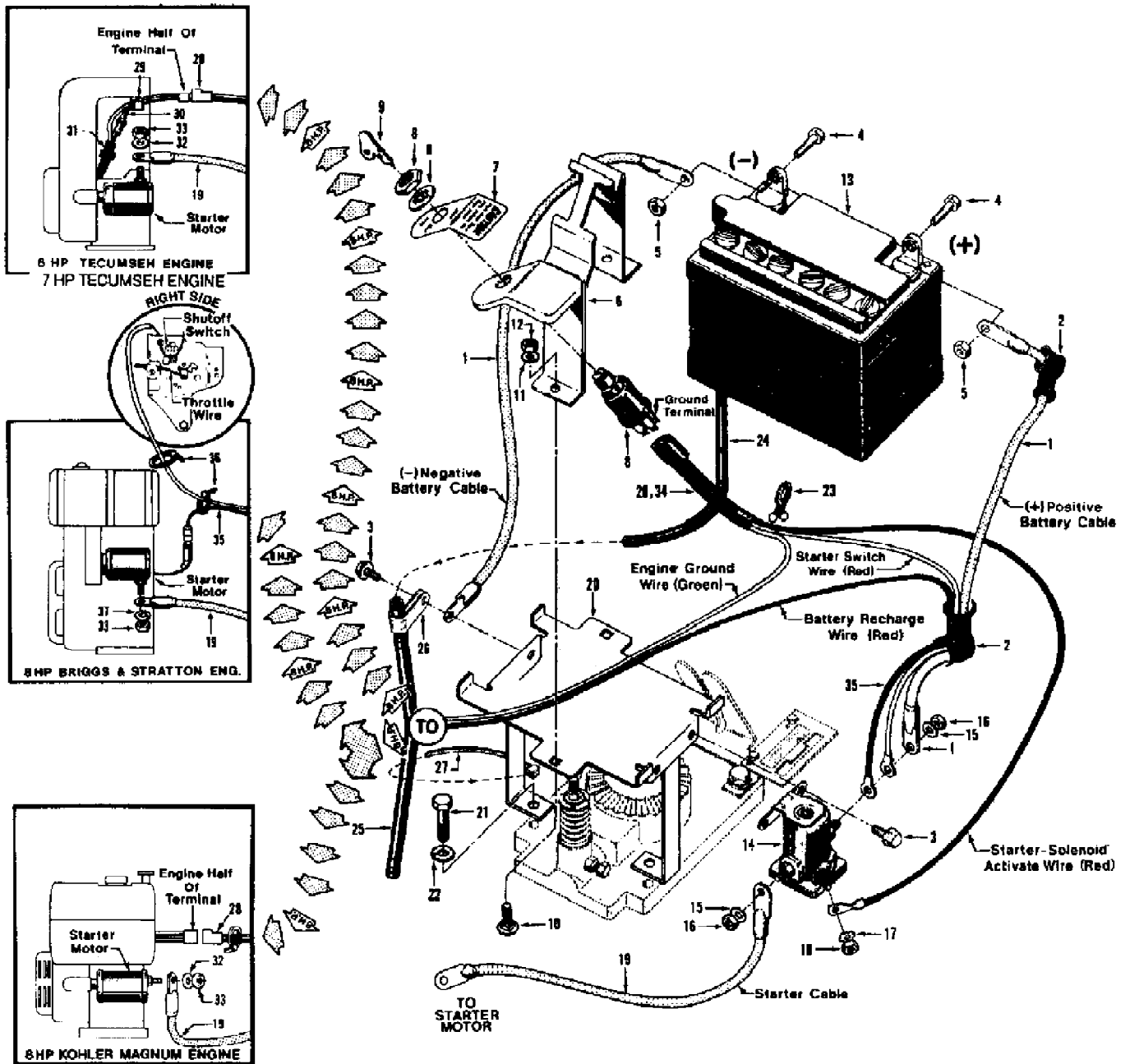


10056 Horse III (S/N 640000-855638)
Depth Regulator & Tine Hood Assemblies

Page 4 of 25

Ref #	Part Number	Qty	S/P/F	Description
1	GW-9712	2	S	BOLT- hex. hd., 3/8"-16 x 1-1/4", drag bar mounting
2	GW-1113-1	2	S	BUSHING - 19/64" (.300") long, drag bar
3	GW-9913	2	S	LOCKWASHER - spring lock 3/8"
4	GW-9802	2	S	NUT - hex., 3/8"-16
5	GW-1117A	1	S	BAR - depth regulator Includes #9119 knob (Ref. 07) and M20 retaining ring (Ref. M6)
6	GW-9120	1	/P	RING - retaining (tolerance ring)
7	GW-9119	1	/P	KNOB- depth regulator
8	GW-2121	1	S	BAR - drag, depth regulator
9	GW-9552	4	S	SCREW - thread forming, 1/4"-20 x 1/2", (lockwasher and nut not required). Mounts hood to bracket; Replaces 9723
10	GW-9703	4	S	BOLT - hex. hd., 5/16"-18 x 3/4" hood to tiller housing and hood bracket to rear bearing cap
11	GW-9912	4	S	LOCKWASHER - spring lock, 5/16"
12	GW-9929	2	/P	WASHER - flat, 5/16"
13	GW-2470	1	/P	HOOD tine cover with hinged flap Includes hood decals (Ref. #14 and 15)
14	GW-2413	1	S	DECAL - hood, operating Instructions
15	GW-1238	1	S	DECAL- model name (HORSE)
16	GW-2527	1	/P	BRACKET- tine hood and depth regulator Replaces 2255
17	GW-9308	1	S	PIN - roll (spiral), 1/4" x 1" long
18	GW-9438	1	S	SPACER
19	GW-9384	1	S	SPRING
20	GW-9734	1	S	BOLT - hexhd., 1/4"-20 x 1"
21	GW-9811	1	S	LOCKNUT - 1/4"-20

10056 Horse III (S/N 640000-855638)
Electric Start System - 6HP, 7HP, & 8HP Tillers



10056 Horse III (S/N 640000-855638)
Electric Start System - 6HP, 7HP, & 8HP Tillers

Page 6 of 25

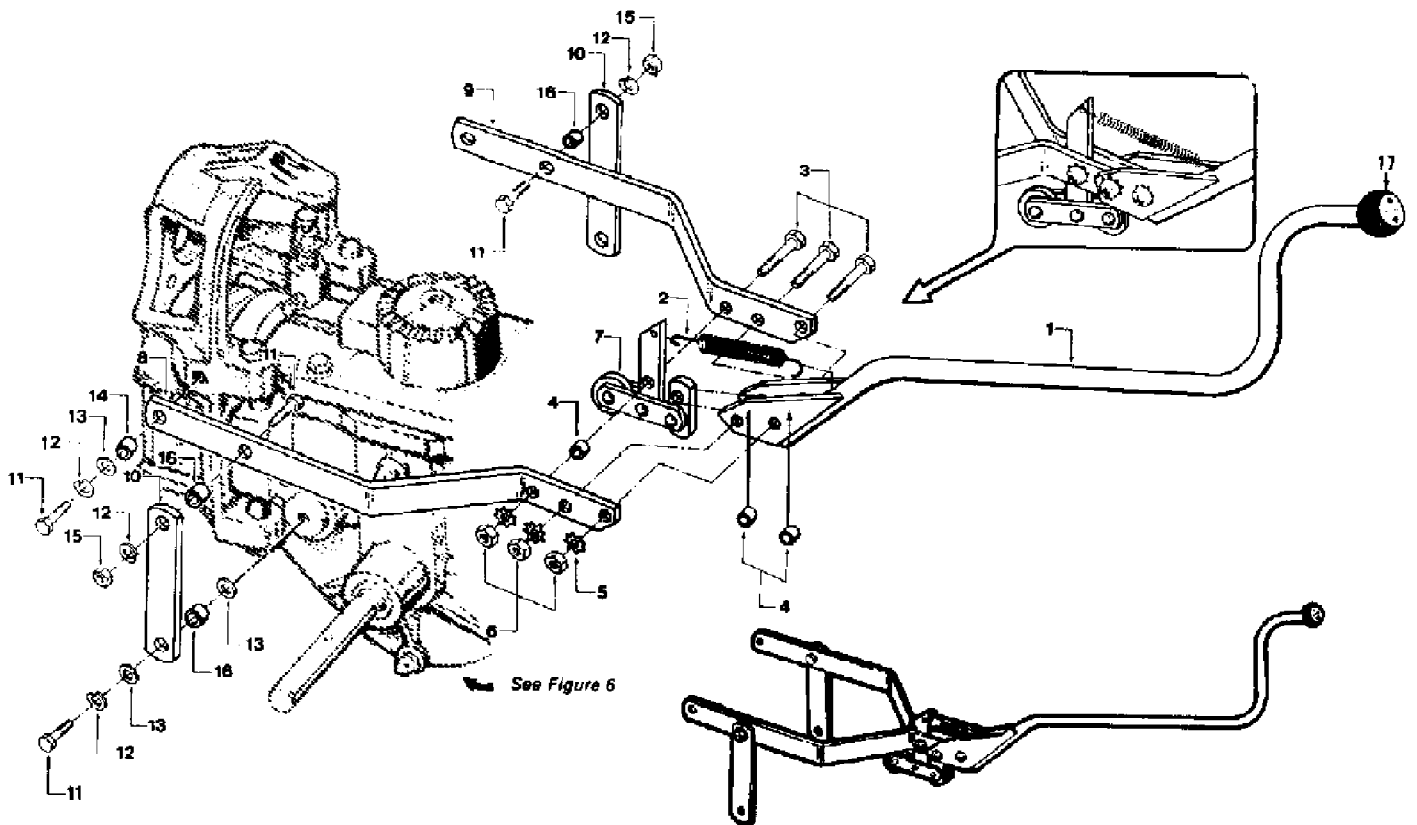
Ref #	Part Number	Qty	S/P/F	Description
1	GW-9295	2	S	CABLE-battery, positive and negative terminals
2	GW-9255	2		RUBBER BOOT- terminal insulating
3	GW-9552	3	S	SCREW -self threading, 1/4"-20 x 1/2", one for grounding negative cable and two for mounting solenoid to bracket
4	GW-9703	2	S	BOLT- hex. hd., 5/16"-18 x 3/4", battery terminals
5	GW-9801	2	S	NUT -hex., 5/16"-18, battery terminals
6	GW-2241	1	S	BATTERY HOLD-DOWN CLAMP- with attached Key Switch Plate (includes #20418 decal). Introduced on Tiller Serial #648406. Use with #2182 battery bracket; Replaces 1468
7	GW-20418	1	S	DECAL - key switch instructions
8	GW-9230	1		KEY SWITCH - includes two 89243 keys, one lockwasher and one mounting nut (hardware not available separately from Garden Way)
9	GW-9243	1	S	KEY -ignition, one pair
10	GW-9565	2		BOLT - carriage, 1/4"-20 x 1-1/2", hold-down clamp to bracket
11	GW-9910	2	S	LOCKWASHER - spring lock 1/4"
12	GW-9800	2	S	NUT - hex., 1/4"-20
13	GW-9092B	1	S	BATTERY - 12 volt, 30 amperes, side-vented. Comes with Part #9009 vent tube. IMPORTANT: For Tiller Serial Nos. 685484 & Below, contact Technical Service 9123, Department regarding special battery replacement kit before ordering battery; Replaces 94878
14	GW-1959	1	/P	SOLENOID - starter, includes all washers and nuts (Ref. No's. 15, 16, 17 & 18) for cables and wires; Replaces 9127
15	GW-9912	2	S	LOCKWASHER-springlock, 5/16", solenoid left and right posts
16	GW-9826	2	S	NUT - hex., 5/16"-24, solenoid left and right posts
17	GW-9921	1	S	LOCKWASHER-external tooth, #10, solenoid center post
18	GW-9809	1	S	NUT - hex., 10-32, center post on solenoid
19	GW-9223	1		CABLE - solenoid to starter motor
20	GW-2182	1		BATTERY BRACKET- introduced on Tiller Serial #648406. Use with 52241 clamp; Replaces 1169
21	GW-9558	2		BOLT - hex. hd., 3/8"-16 x 1-1/2", bracket to transmission cover Replaces 9713

10056 Horse III (S/N 640000-855638)
Electric Start System - 6HP, 7HP, & 8HP Tillers

Page 7 of 25

Ref #	Part Number	Qty	S/P/F	Description
22	GW-9913	2	S	LOCKWASHER - springlock, 3/8"
23	GW-9265	1	/P	TIE- twist, red plastic, wire retaining
24	GW-9009	1	/P	VENT TUBE - 5/16" dia.
25	GW-1475	1		SHIELD - vent tube, 1/2" dia.
26	GW-9224	1		CLAMP- vent tube shield
27	GW-9202	1	S	TIE -red plastic
28	GW-1552	1		WIRE HARNESS - for Tecumseh and Kohler engines; Includes two receptacles; three red wires (solenoid activate, battery recharge, and starter switch); one green (shutoff) wire; plastic harness tube
29	GW-9218	1	/P	CLIP-metal, supports recharging wire on Tecumseh engine
30		1		FUSE - 6 Amperes, 3 AGC, for Tecumseh engine (earlier models only). Available locally or from Garden Way (Tecumseh x 29561)
31		1		DIODE - battery recharging for Tecumseh engine. For authorized service dealer replacement (Tecumseh #610935)
32	GW-9910	1	S	LOCKWASHER-springlock, 1/4", for Tecumseh and Kohler engines
33	GW-9800	1	S	NUT - hex., 1/4"-20 For all engines
34	GW-20424	1		WIRE HARNESS - for Briggs and Stratton engine. Complete assembly only.; Includes key switch receptacle with two red wires (with eyelets), one green wire, plastic harness tube. Order red recharging wire (Ref. No. 35) separately, if needed
35	GW-1554	1	S	WIRE-recharge (red), for Briggs & Stratton engine. Includes terminal and eyelet
36	GW-9266	A/R	S	TIE - plastic, reusable
37		1		LOCKWASHER - internal tooth, 1/4" Comes with engine-not avail. from Garden Way

10056 Horse III (S/N 640000-855638)
Forward/Neutral/Reverse Lever & Yoke Assembly



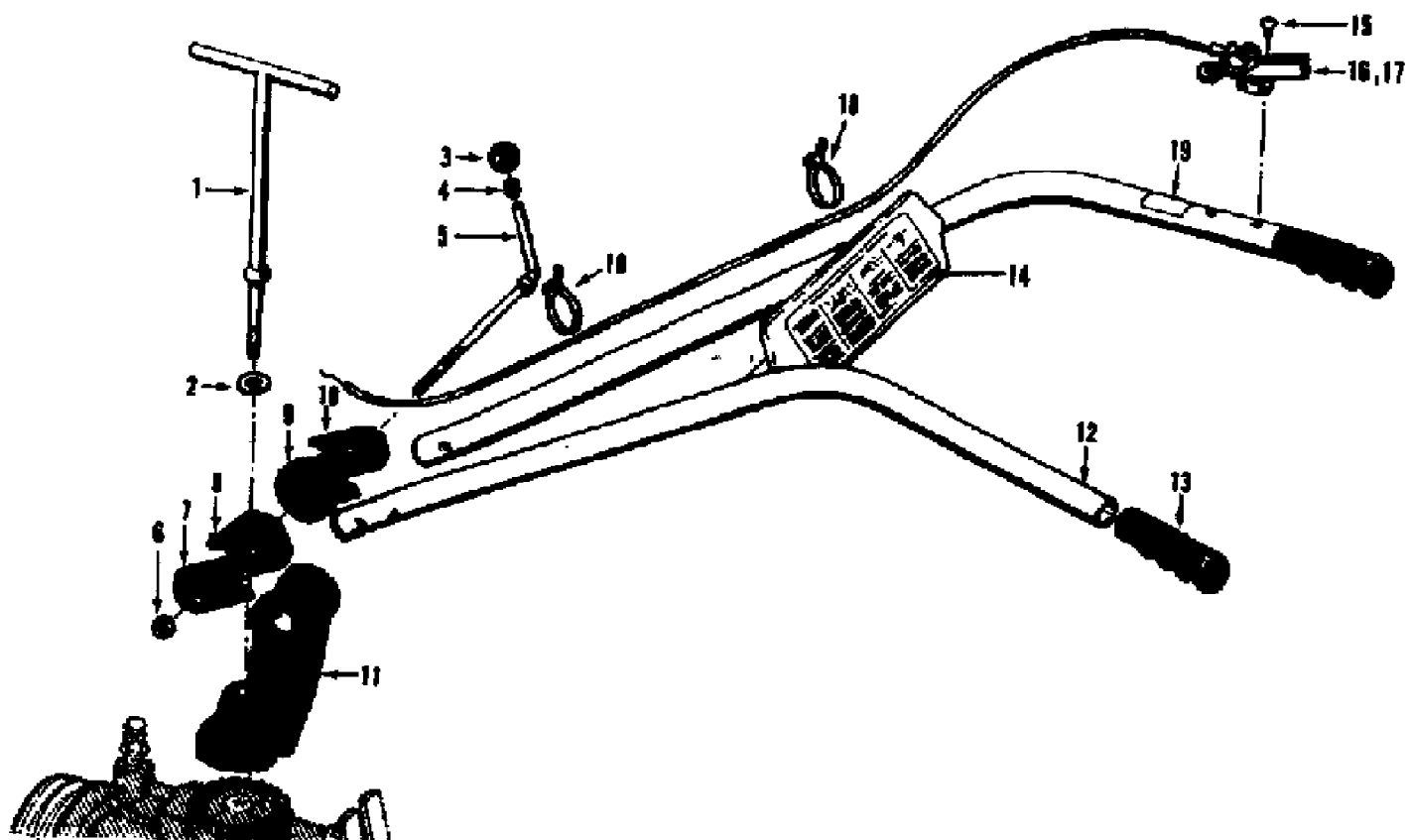
10056 Horse III (S/N 640000-855638)
Forward/Neutral/Reverse Lever & Yoke Assembly

Page 9 of 25

Ref #	Part Number	Qty	S/P/F	Description
1	GW-2176	1	S	LEVER - forward/neutral/reverse Includes plastic knob with plastic decal inlay. Lever and knob available as complete assembly only
2	GW-2163	1	S	SPRING - clutch pawl
3	GW-9466	3	S	BOLT - hex. hd., 5/16"-18 x 1-1/2"
4	GW-2447	3	/P	BUSHING - 3/8" long Replaces 2160
5	GW-9931	3	S	LOCKWASHER - external tooth, 5/16"
6	GW-9801	3	S	NUT - hex., 5/16"-18
7	GW-2162	1	S	ROLLER ASSEMBLY -forward/neutral/reverse shift lever
8	GW-2165-1	1	S	YOKE - left side
9	GW-2165-2	1	S	YOKE - right side
10	GW-2164	2	S	LINK- yoke pivot, left and right, & 7/8" long
11	GW-9710	6	S	BOLT - hex. hd., 3/8"-18 x 1"
12	GW-9913	6	S	LOCKWASHER - spring lock, 3/8"
13	GW-9904	6	S	WASHER - flat, 3/8", S.A.E
14	GW-2146	2	/P	BUSHING - spacer, 21/64"(.325") long, yoke to engine mount
15	GW-9802	2	S	NUT - hex., 3/8"-16
16	GW-1113-1	4	S	BUSHING - spacer, 19/64" (.300") long, yoke link
17		1		KNOB - plastic knob not available separately due to special procedure required to attach knob to lever

10056 Horse III (S/N 640000-855638)
Handlebar Assembly

Page 10 of 25

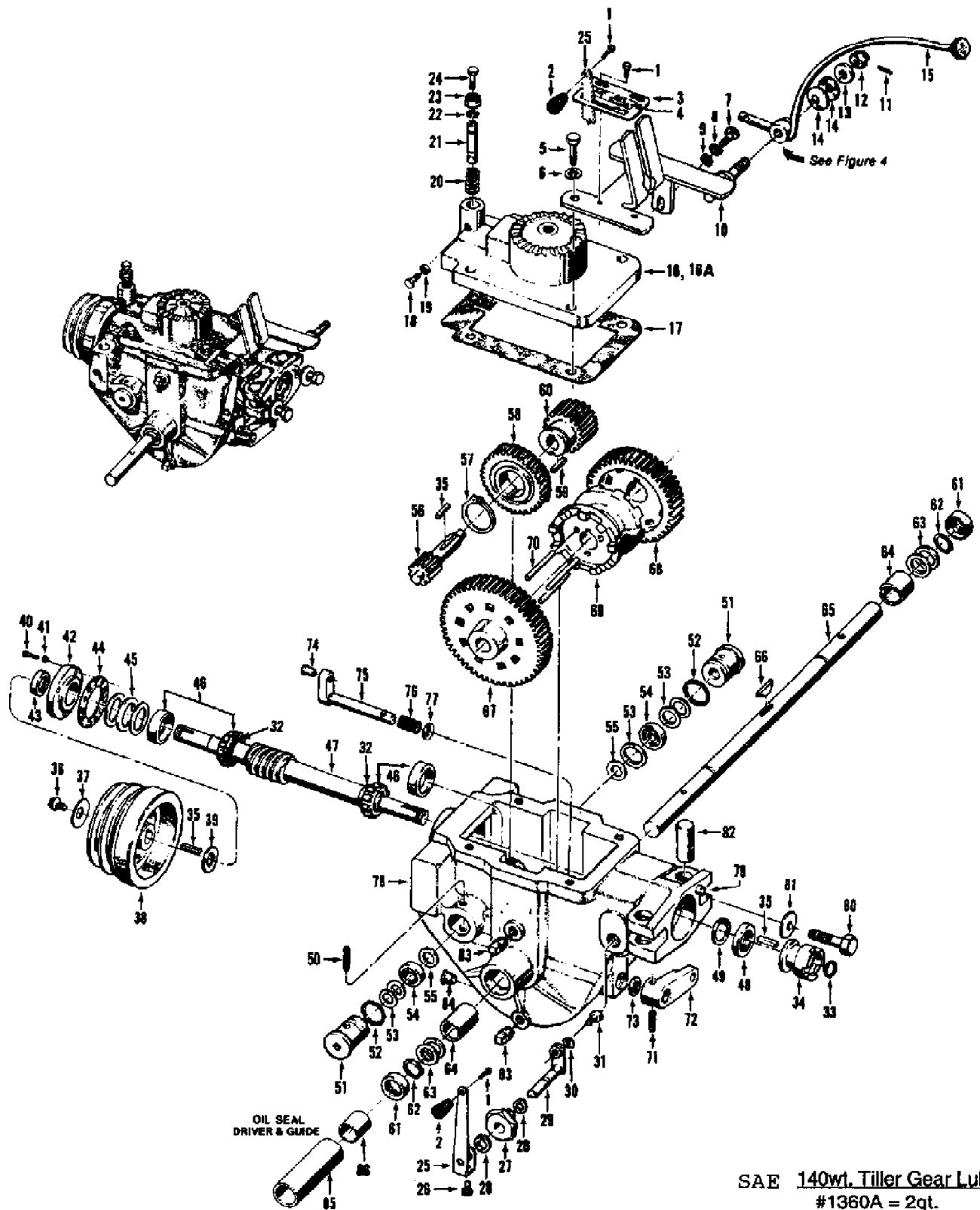


10056 Horse III (S/N 640000-855638)
Handlebar Assembly

Page 11 of 25

Ref #	Part Number	Qty	S/P/F	Description
1	GW-1167	1		CLAMP-T-bar, handlebar mounting For recoil or electric start models
2	GW-9915	1	S	LOCKWASHER-spring lock 5/8"
3	GW-9119	1	/P	KNOB -handlebar height adjustment
4	GW-9120	1	/P	RING- retaining (tolerance ring)
5	GW-1881	1	/P	STUD - handlebar height adjustment Includes #9119 knob (Ref. #3) and #9803 nut (Ref. #6)
6	GW-9803	1	S	NUT- hex., 1/2"-13
7	GW-1021-1	1	S	CLAMP- handlebar height adjustment, left
8	GW-1020-1	1	S	RATCHET- handlebar height adjustment, left
9	GW-1020-2	1	S	RATCHET- handlebar height adjustment, right
10	GW-1021-2	1	S	CLAMP - handlebar height adjustment, right
11	GW-1019	1		BASE- handlebar mounting
12	GW-2214	1		HANDLEBAR AND PANEL ASSEMBLY (Includes Ref. No. 14, #2230 Decal, and two Ref. No. 13, #9118 Grip)
13	GW-9118	2	S	GRIP-handlebar
14	GW-2412	2	/P	DECAL- power unit operating instructions
15	GW-9733	2	/P	SCREW - pan hot., #10-32 x 1/2", self-tapping
16	GW-9015	1		THROTTLE LEVER AND CABLE ASSEMBLY - for 6 HP Tecumseh, 7 HP Kohler and 8 HP Briggs & Stratton engines. Does not include Ref. No. 15, #9733 Screw or Ref. No.18, 89116 Clip; Replaces 9240
	GW-9967	1		THROTTLE LEVER AND CABLE ASSEMBLY - For use with the 7 HP Tecumseh engine only
17	GW-9033	1		THROTTLE LEVER AND CABLE ASSEMBLY - for 8 HP Kohler engine. Does not include Ref. No. 15, #97333 screw or Ref. No. 18, #9116 Clip
18	GW-9202	2	S	TIE - plastic Secures throttle cable Replaces 9116
19	GW-2449	1		DECAL- throttle operation For Tecumseh and Kohler model engines only

10056 Horse III (S/N 640000-855638)
Power Unit Transmission Assemblies



10056 Horse III (S/N 640000-855638)
Power Unit Transmission Assemblies

Page 13 of 25

Ref #	Part Number	Qty	S/P/F	Description
1	GW-9782	3	S	BOLT - hex. hd., #10-32 x 3/8", self locking flange TRANSMISSION COVER & SHIFT LEVER BRACKET ASSEMBLIES
2	GW-9463	1	/P	KNOB - tines/P.T.O. clutch lever, tapered, plastic TRANSMISSION COVER & SHIFT LEVER BRACKET ASSEMBLIES
3	GW-2263	1	/P	DETENT PLATE - tines/P.T.O. clutch lever Includes #2139 operating decal (Ref. #4); TRANSMISSION COVER & SHIFT LEVER BRACKET ASSEMBLIES
4	GW-2139	1	S	DECAL - operating instructions, detent plate TRANSMISSION COVER & SHIFT LEVER BRACKET ASSEMBLIES
5	GW-9558	4		BOLT - hex hd., 3/8"-16 x 1-1/2", transmission cover Replaces 9713; TRANSMISSION COVER & SHIFT LEVER BRACKET ASSEMBLIES
6	GW-9913	4	S	LOCKWASHER-springlock, 3/8" TRANSMISSION COVER & SHIFT LEVER BRACKET ASSEMBLIES
7	GW-9575	1	S	BOLT- hex. hd., 5/16"-18 x 3/4", Grade 5, lever bracket to housing TRANSMISSION COVER & SHIFT LEVER BRACKET ASSEMBLIES
8	GW-9912	1	S	LOCKWASHER - spring lock, 5/16" TRANSMISSION COVER & SHIFT LEVER BRACKET ASSEMBLIES
9	GW-9902	1	S	WASHER - flat, 5/16", S.A.E TRANSMISSION COVER & SHIFT LEVER BRACKET ASSEMBLIES
10	GW-2149	1	S	BRACKET- shift levers TRANSMISSION COVER & SHIFT LEVER BRACKET ASSEMBLIES
11	GW-9362	1	/P	PIN - spring, 1/8" diameter TRANSMISSION COVER & SHIFT LEVER BRACKET ASSEMBLIES
12	GW-9838	1		NUT-castle (slotted), 1/2"-20 Call Technical Service Department for tightening Instructions; TRANSMISSION COVER & SHIFT LEVER BRACKET ASSEMBLIES
13	GW-9934	1	/P	WASHER - shoulder, 1/2" (shoulder faces disc washers) TRANSMISSION COVER & SHIFT LEVER BRACKET ASSEMBLIES
14	GW-9932	2	/P	WASHER - disc spring (concave surfaces face each other) TRANSMISSION COVER & SHIFT LEVER BRACKET ASSEMBLIES

10056 Horse III (S/N 640000-855638)
Power Unit Transmission Assemblies

Page 14 of 25

Ref #	Part Number	Qty	S/P/F	Description
15		1		LEVER - wheel speed shift Shown for reference only; TRANSMISSION COVER & SHIFT LEVER BRACKET ASSEMBLIES
16	GW-1103	1		COVER- power unit transmission housing TRANSMISSION COVER & SHIFT LEVER BRACKET ASSEMBLIES
16A	GW-1508	1	S	COVER - power unit transmission housing Completely assembled with neutral spring assembly parts (Ref. #'s 18,19,20, 21,22, 23 and 24); TRANSMISSION COVER & SHIFT LEVER BRACKET ASSEMBLIES
17	GW-1123	1	/P	GASKET- transmission cover TRANSMISSION COVER & SHIFT LEVER BRACKET ASSEMBLIES
18	GW-9751	1	S	BOLT - hex. hd., 5/16"-18 x 1", Grade 5 Retains neutral plunger (REMOVE WITH CARE). See Ref. #'s 20 & 21; TRANSMISSION COVER & SHIFT LEVER BRACKET ASSEMBLIES
19	GW-9801	1	S	NUT- hex., 5/16"-18 TRANSMISSION COVER & SHIFT LEVER BRACKET ASSEMBLIES
20	GW-1496	1	S	SPRING- neutral plunger (REMOVE WITH CARE) TRANSMISSION COVER & SHIFT LEVER BRACKET ASSEMBLIES
21	GW-1035	1	/P	PLUNGER -neutral (REMOVE WITH CARE) Includes #9504 clip ring (Ref. #22); TRANSMISSION COVER & SHIFT LEVER BRACKET ASSEMBLIES
22	GW-9504	1	S	CUP RING - retains neutral plunger TRANSMISSION COVER & SHIFT LEVER BRACKET ASSEMBLIES
23	GW-9831	1	S	NUT- hex., flange locknut, 3/8"-16 TRANSMISSION COVER & SHIFT LEVER BRACKET ASSEMBLIES
24	GW-9558	1		BOLT- hex. hd., 3/8"-16 x 1-1/2", threaded full length TRANSMISSION COVER & SHIFT LEVER BRACKET ASSEMBLIES
25	GW-2122	1	S	LEVER - eccentric, tines/P.T.O. clutch TINES/P.T.O. CLUTCH LEVER ASSEMBLY; (Also see Ref. #'s 1, 2, 3 and 4 listed above.)
26	GW-9743	1	S	BOLT - hex. hd., 1/4"-20 x 1/2" TINES/P.T.O. CLUTCH LEVER ASSEMBLY
27	GW-2123	1	S	BUSHING -tines/P.T.O. clutch lever eccentric shaft TINES/P.T.O. CLUTCH LEVER ASSEMBLY

10056 Horse III (S/N 640000-855638)
Power Unit Transmission Assemblies

Page 15 of 25

Ref #	Part Number	Qty	S/P/F	Description
28	GW-9516	2	/P	RETAINING RING - (snap ring), external TINES/P.T.O. CLUTCH LEVER ASSEMBLY
29	GW-2130	1	S	ECCENTRIC - shaft, tines/P.T.O. clutch lever TINES/P.T.O. CLUTCH LEVER ASSEMBLY
30	GW-9911	1	/P	LOCKWASHER- Hi-collar, 1/4" TINES/P.T.O. CLUTCH LEVER ASSEMBLY
31	GW-9672	1	S	SCREW - socket hd., 1/4"-20 x 3/8" For use with Tiller Serial Nos. 771566 & Above.; TINES/P.T.O. CLUTCH LEVER ASSEMBLY
32	GW-50043	2	S	WASHER- shoulder (drive shaft) DRIVE SHAFT ASSEMBLY
33	GW-9500	1	S	RETAINING RING -(snap ring), external Retains dog clutch to drive shaft; DRIVE SHAFT ASSEMBLY
34	GW-21203	1		DOG CLUTCH - power unit Replaces 2120-2; For use with Tiller Serial Nos. 771566 & Above. For Serial Nos. 771565 & Below order #2120-2 dog clutch; DRIVE SHAFT ASSEMBLY
35	GW-9301	3	S	KEY - 3/16" square x 1" (used on drive shaft and pinion shaft); DRIVE SHAFT ASSEMBLY
36	GW-9655	1	S	BOLT - hex. hd., 5/16"-24 x 3/4", self-locking flange, Grade 5 Replaces 9799; DRIVE SHAFT ASSEMBLY
37	GW-9944	1	S	WASHER - disc spring (concave). Domed side of washer faces bolt head DRIVE SHAFT ASSEMBLY
38	GW-2107	1	/P	PULLEY - transmission drive, cast iron DRIVE SHAFT ASSEMBLY
39	GW-50027	1	/P	WASHER-flat, hardened shoulder, 1-1/4" DRIVE SHAFT ASSEMBLY
40	GW-9701	3	S	BOLT- hex. hd., 1/4"-20 x 3/4", front bearing cap DRIVE SHAFT ASSEMBLY
41	GW-9910	3	S	LOCKWASHER-springlock, 1/4" DRIVE SHAFT ASSEMBLY
42	GW-2424	1	S	CAP - front bearing Replaces 1114; DRIVE SHAFT ASSEMBLY
43	GW-9600	1	S	SEAL-oil front bearing cap DRIVE SHAFT ASSEMBLY
44	GW-1124-2	1	S	GASKET- front bearing cap DRIVE SHAFT ASSEMBLY
45	GW-1224-1	A/R	S	SHIM - front bearing cap, .010" thick DRIVE SHAFT ASSEMBLY

10056 Horse III (S/N 640000-855638)
Power Unit Transmission Assemblies

Page 16 of 25

Ref #	Part Number	Qty	S/P/F	Description
45	GW-1224-2	A/R	S	SHIM - same as above, .030" thick DRIVE SHAFT ASSEMBLY
45	GW-1224-3	A/R	S	SHIM - same as above, .005" thick DRIVE SHAFT ASSEMBLY
45	GW-1224-4	A/R	S	SHIM- same as above, .062" thick DRIVE SHAFT ASSEMBLY
46	GW-1714	2	S	BEARING & CUP - tapered cone roller bearing with cup (race). Cone and cup sold as set only DRIVE SHAFT ASSEMBLY
47	GW-1985	1		SHAFT - main drive, power unit Includes welded-on worm, two pressed-on cone roller bearings, two bearing cups, and two shoulder washers; DRIVE SHAFT ASSEMBLY
48	GW-9617	1	S	SEAL - oil, drive shaft, rear DRIVE SHAFT ASSEMBLY
49	GW-9517	1	S	RETAINING RING -(snap ring), internal. Retains rear bearing cup DRIVE SHAFT ASSEMBLY
50	GW-9309	2	S	PIN-roll (spirol, 1/4" x 2", retains #1060A plug (Ref.#51) PINION SHAFT ASSEMBLY
51	GW-1060A	2	/P	PLUG-retaining, pinion bearing Includes #98040 - Ring (Ref. #52); PINION SHAFT ASSEMBLY
52	GW-9604	2	/P	O-RING - retaining plug PINION SHAFT ASSEMBLY
53	GW-1132-1	A/R	/P	SHIM - retaining plug, 1-1/64" inner dia., .033" thick. Note: On right side only, one #1132-1 shim is also used between bearing and washer (Ref #'s 54 & 55); PINION SHAFT ASSEMBLY
53	GW-1132-2	A/R	/P	SHIM- same as above, .062" thick PINION SHAFT ASSEMBLY
53	GW-1132-3	A/R	/P	SHIM - same as above, .010" thick PINION SHAFT ASSEMBLY
54	GW-9404	2	/P	BEARING - ball, pinion shaft PINION SHAFT ASSEMBLY
55	GW-1126	2	/P	WASHER - pinion shaft One used on left and right sides.; PINION SHAFT ASSEMBLY
56	GW-1222	1	/P	STEM PINION - slow speed gear and shaft (drives slow speed wheel gear) PINION SHAFT ASSEMBLY
57	GW-9502	1	/P	RETAINING RING - (snap ring), external. Retains high speed pinion gear to bronze worm gear PINION SHAFT ASSEMBLY

10056 Horse III (S/N 640000-855638)
Power Unit Transmission Assemblies

Page 17 of 25

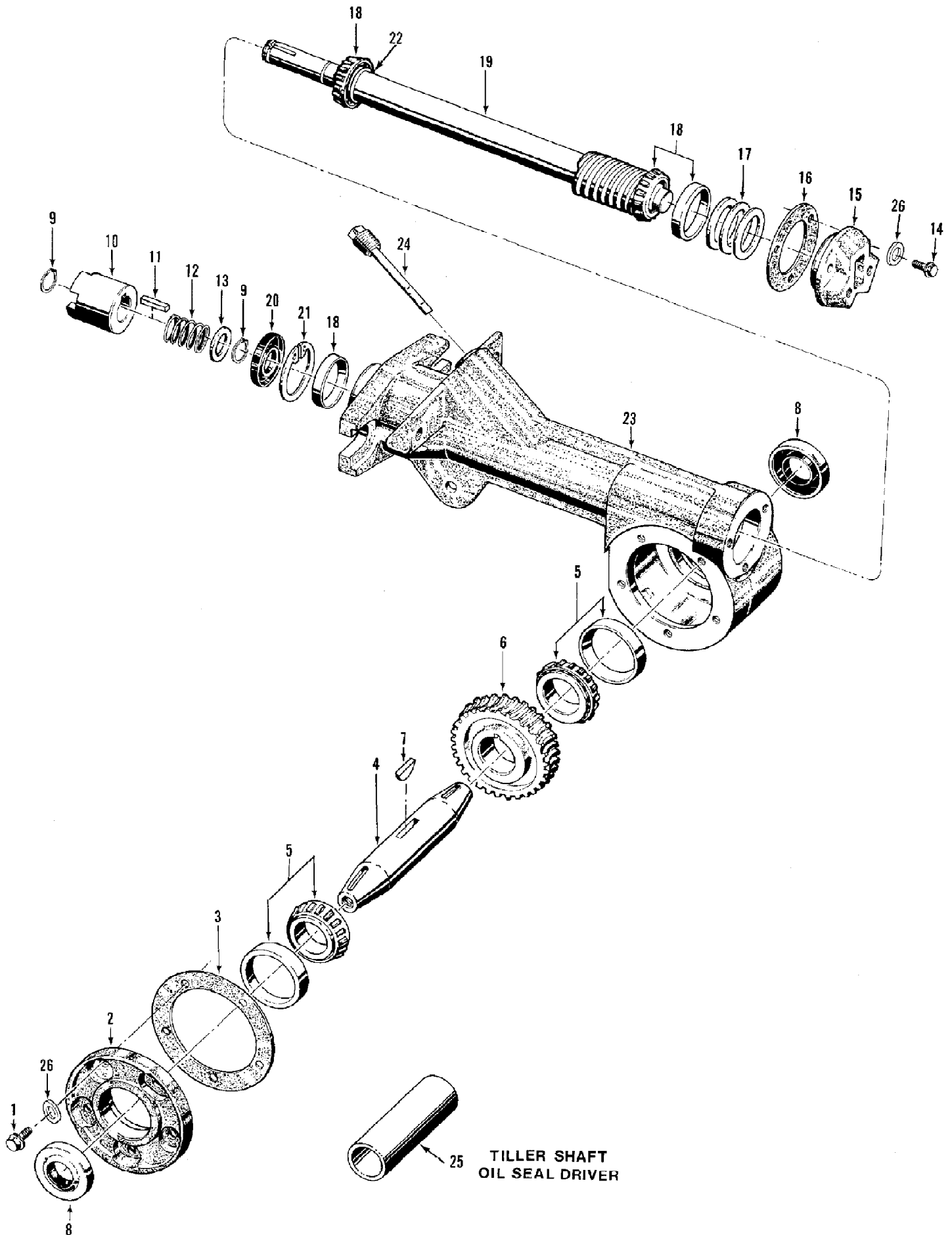
Ref #	Part Number	Qty	S/P/F	Description
58	GW-1221	1		WORM GEAR - bronze, wheel drive. Driven by worm on drive shaft PINION SHAFT ASSEMBLY
59	GW-9300	1	/P	KEY-3/16" square x 5/8" Connects fast speed pinion gear to bronze worn gear PINION SHAFT ASSEMBLY
60	GW-1233	1	/P	GEAR- fast speed pinion (drives fast speed wheel gear) PINION SHAFT ASSEMBLY
61	GW-9609	2	S	SEAL-oil, wheel shaft WHEEL SHAFT ASSEMBLY
62	GW-9511	2	S	RETAINING RING-(snapping), external. Retains wheel shaft inside bore WHEEL SHAFT ASSEMBLY
63	GW-1166-1	A/R	S	SHIM- wheel shaft, 1-1/64" inner dia, .062" thick WHEEL SHAFT ASSEMBLY
63	GW-1166-2	A/R	/P	SHIM - same as above, .030" thick WHEEL SHAFT ASSEMBLY
63	GW-1166-3	A/R	/P	SHIM - same as above, .015" thick WHEEL SHAFT ASSEMBLY
63	GW-1166-4	A/R	S	SHIM - same as above, .010" thick WHEEL SHAFT ASSEMBLY
63	GW-1166-5	A/R	S	SHIM -same as above, .005" thick WHEEL SHAFT ASSEMBLY
64	GW-1086	2	S	BUSHING-bronze, wheel shaft bearing WHEEL SHAFT ASSEMBLY
65	GW-1878	1	/P	SHAFT - wheel, 15-5/8" Includes #9357 key (Ref. #66) and two #9511 retaining rings (Ref. #62); WHEEL SHAFT ASSEMBLY
66	GW-9357	1	S	KEY- Hi Pro, 1/4" x 1 3/4" Connects wheel shaft to clutch WHEEL SHAFT ASSEMBLY
67	GW-1223	1	/P	GEAR- slow speed, wheel drive WHEEL SHAFT ASSEMBLY
68	GW-1232	1	/P	GEAR- fast speed, wheel drive WHEEL SHAFT ASSEMBLY
69	GW-1237	1	/P	DOG CLUTCH - wheel drive. Clutch drives either slow or fast wheel drive gears according to wheel speed shift lever gear selection WHEEL SHAFT ASSEMBLY
70	GW-1112	3	/P	PIN - clutch guide, 1/4" diameter WHEEL SHAFT ASSEMBLY
71	GW-9307	1	S	PIN-roll (spiral), 3/16" x 1-1/4". Retains eccentric lever to eccentric shaft ECCENTRIC SHAFT ASSEMBLY

10056 Horse III (S/N 640000-855638)
Power Unit Transmission Assemblies

Page 18 of 25

Ref #	Part Number	Qty	S/P/F	Description
72	GW-1029	1	S	LEVER- eccentric, wheel speed shifting ECCENTRIC SHAFT ASSEMBLY
73	GW-9622	1	S	SEAL -oil, eccentric shaft Replaces 9611; ECCENTRIC SHAFT ASSEMBLY
74	GW-1442	1	S	PIN - eccentric shaft, wheel speed shifting ECCENTRIC SHAFT ASSEMBLY
75	GW-1568	1	S	ECCENTRIC SHAFT- wheel speed shifting ECCENTRIC SHAFT ASSEMBLY
76	GW-1441	1	/P	SPRING - eccentric shaft ECCENTRIC SHAFT ASSEMBLY
77	GW-1440	1	S	WASHER- eccentric shaft ECCENTRIC SHAFT ASSEMBLY
78	GW-2260	1	S	HOUSING - power unit transmission Includes #9359 alignment pin (Ref. #79); TRANSMISSION HOUSING; Empty housing without covers, shafts, gears, seals, etc. Call Factory Technical Service Dept before ordering; TRANSMISSION HOUSING
79	GW-9359	1	/P	PIN -alignment (aligns power unit housing with tiller attachment housing) TRANSMISSION HOUSING
80	GW-9660	2		BOLT-hex. hd., 1/2"-13 x 2", Grade 5. Connects power unit and tiller attachment housings MISCELLANEOUS PARTS
81	GW-9928	2	/P	WASHER-disc spring (concave). Dome side of washer faces bolt head MISCELLANEOUS PARTS
82	GW-2126	2		POST- with threaded hole for #9560 bolt (Ref. #60); MISCELLANEOUS PARTS
83	GW-9726	2	S	PLUG - pipe, 1/4". Oil level check plug and oil drain plug MISCELLANEOUS PARTS
84	GW-9122	1	/P	PLUG - red plastic, thread protector MISCELLANEOUS PARTS
85	GW-4921-1	1		OIL SEAL DRIVER - for wheel shaft oil seals (use with Part #4921-2 Driver Guide); MISCELLANEOUS PARTS
86	GW-4921-2	1		OIL SEAL DRIVER GUIDE - for wheel shaft oil seals (use with Part #4921-1 Seal Driver); MISCELLANEOUS PARTS

10056 Horse III (S/N 640000-855638)
Tiller Attachment Transmission Assemblies



10056 Horse III (S/N 640000-855638)
Tiller Attachment Transmission Assemblies

Page 20 of 25

Ref #	Part Number	Qty	S/P/F	Description
1	GW-9780	5	S	BOLT - hex. hd., 1/4"-20 x 5/8", self-locking flange TILLER TINE SHAFT ASSEMBLY
2	GW-2451	1	S	COVER- tiller housing Includes five #9780 bolts (Ref.No.1); TILLER TINE SHAFT ASSEMBLY
3	GW-1129-1	1	S	GASKET- tiller housing cover, .010" thick TILLER TINE SHAFT ASSEMBLY A/R
3	GW-1129-2	1	S	GASKET- same as above, .030" thick TILLER TINE SHAFT ASSEMBLY A/R
4	GW-1026A	1	/P	SHAFT-tiller tine Includes #1104 key(Ref. #7); TILLER TINE SHAFT ASSEMBLY
5	GW-11522	2		BEARING & CUP - tapered cone roller bearing with cup (race). Cone and cup sold as set only TILLER TINE SHAFT ASSEMBLY includes 741-3050 cup and 741-3051 cone. Use with GW-11527
6	GW-1064	1	S	WORM GEAR-bronze, tiller tine shaft. Driven by worm on tiller driven shaft TILLER TINE SHAFT ASSEMBLY Use GW-11527
6	GW-11527	1	/P	Kit-Tiller Gear, Cones & Cups. TILLER TINE SHAFT ASSEMBLY includes two 741-3050 cups and two 741-3051 cones. Use with GW-11522
7	GW-1104	1	/P	KEY - tiller tine shaft. Woodruff key with ends ground TILLER TINE SHAFT ASSEMBLY
8	GW-9618	2	S	SEAL-oil, tiller tine shaft Replaces 9616; TILLER TINE SHAFT ASSEMBLY
9	GW-9500	2	S	RETAINING RING -(snapping),external. Retains dog clutch to shaft TILLER DRIVE SHAFT ASSEMBLY
10	GW-2120-1	1	S	DOG CLUTCH - tiller drive shaft TILLER DRIVE SHAFT ASSEMBLY
11	GW-9301	1	S	KEY-3/16" square X 1",dog clutch to tiller driveshaft TILLER DRIVE SHAFT ASSEMBLY
12	GW-2127	1	/P	SPRING - dog clutch TILLER DRIVE SHAFT ASSEMBLY
13	GW-1138-1	1	S	SHIM - dog clutch, 1/16" (.062") thick TILLER DRIVE SHAFT ASSEMBLY
14	GW-9773	3	S	BOLT - hex. hd., 1/4"-20 x 7/8", self locking flange TILLER DRIVE SHAFT ASSEMBLY
15	GW-1115	1	S	CAP -rear bearing TILLER DRIVE SHAFT ASSEMBLY

10056 Horse III (S/N 640000-855638)
Tiller Attachment Transmission Assemblies

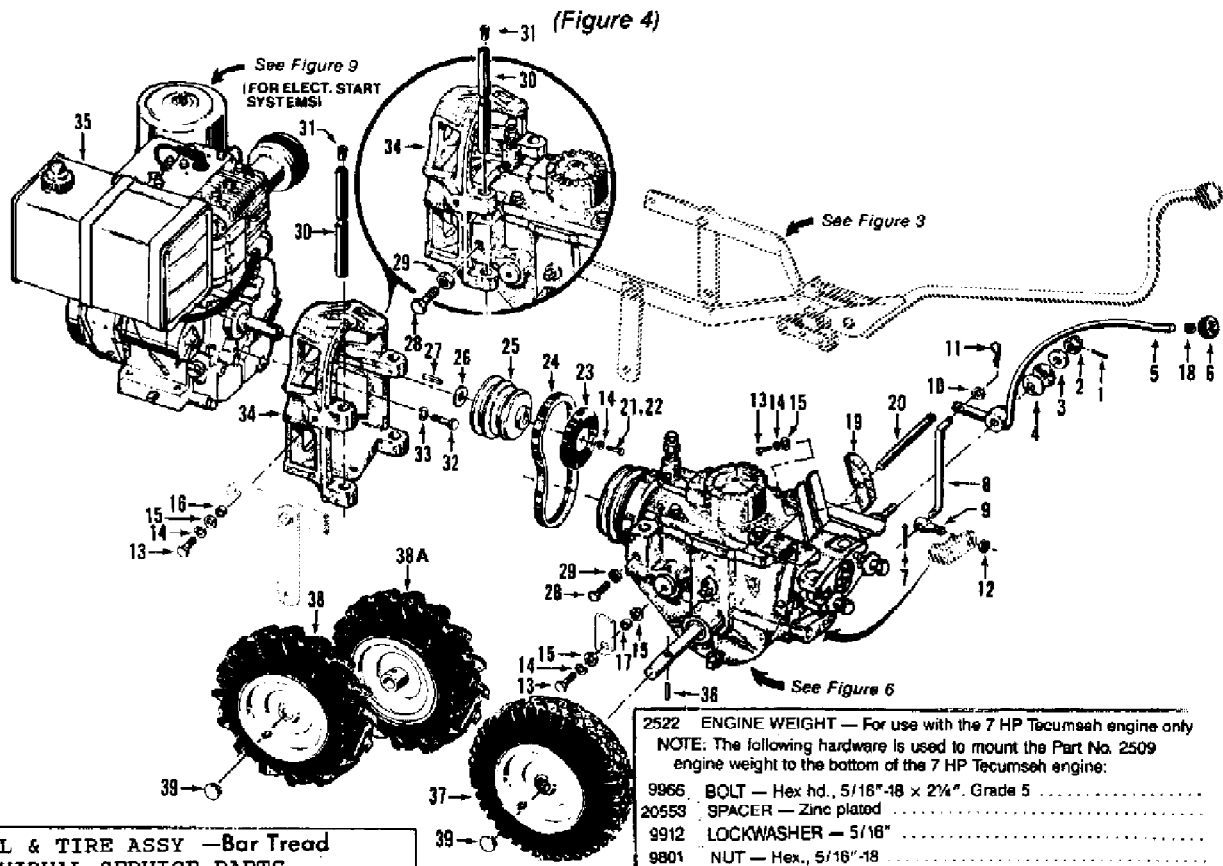
Page 21 of 25

Ref #	Part Number	Qty	S/P/F	Description
16	GW-1124-2	1	S	GASKET -rear bearing cap TILLER DRIVE SHAFT ASSEMBLY
17	GW-1224-1	1	S	SHIM - front bearing cap, .010" thick TILLER DRIVE SHAFT ASSEMBLY A/R
17	GW-1224-2	1	S	SHIM - same as above, .030" thick TILLER DRIVE SHAFT ASSEMBLY A/R
17	GW-1224-3	1	S	SHIM - same as above, .005" thick TILLER DRIVE SHAFT ASSEMBLY A/R
17	GW-1224-4	1	S	SHIM - same as above, .062" thick TILLER DRIVE SHAFT ASSEMBLY A/R
18	GW-1714	2	S	BEARING & CUP - tapered cone roller bearing with cup (race). Cone and cup sold as set only TILLER DRIVE SHAFT ASSEMBLY
19	GW-1986	1		SHAFT- main tiller drive ; TILLER DRIVE SHAFT ASSEMBLY Includes welded-on worm gear, two pressed-on cone roller bearings, two bearing cups (Ref.#18) and one shoulder washer .766 X 1.0
20	GW-9617	1	S	SEAL- oil, drive shaft, front TILLER DRIVE SHAFT ASSEMBLY
21	GW-9517	1	S	RETAINING RING -(snapping),internal. Retains front bearing cup TILLER DRIVE SHAFT ASSEMBLY
22	GW-50043	1	S	WASHER - shoulder (drive shaft) TILLER DRIVE SHAFT ASSEMBLY
23	GW-2206	1		HOUSING - tiller attachment TRANSMISSION HOUSING AND DIPSTICK Includes pressed-on sleeve in front of housing and one tine shaft bearing cone 741-3051 & cup 741-3050 mounted in right side of housing.
24	GW-2136	1		DIPSTICK- oil level, tiller attachment TRANSMISSION HOUSING AND DIPSTICK
25	N/A	1		OIL SEAL DRIVER - for tiller shaft oil seals Purchase locally
26	GW-9945	8		WASHER-1/4",plastic MISCELLANEOUS PARTS
	737-04040	1	/P	Transmission Oil, Gear. Quart

10056 Horse III (S/N 640000-855638)

Page 22 of 25

Wheel Speed Lever, Belt Drive System, Engines, Wheels



WHEEL & TIRE ASSY - Bar Tread
 INDIVIDUAL SERVICE PARTS
 # 1234-1 - TIRE ONLY
 # 2708 - WHEEL RIM ONLY (GREY)

2522	ENGINE WEIGHT — For use with the 7 HP Tecumseh engine only	1
NOTE: The following hardware is used to mount the Part No. 2509 engine weight to the bottom of the 7 HP Tecumseh engine:		
9966	BOLT — Hex hd., 5/16" x 2 1/4", Grade 5	2
20553	SPACER — Zinc plated	2
9912	LOCKWASHER — 5/16"	2
9801	NUT — Hex., 5/16" x 18	2

10056 Horse III (S/N 640000-855638)

Page 23 of 25

Wheel Speed Lever, Belt Drive System, Engines, Wheels

Ref #	Part Number	Qty	S/P/F	Description
1	GW-9362	1	/P	PIN - spring, 1/8" dia., retains castle nut to threaded stud
2	GW-9838	1		NUT-castle (slotted), 1/2"-20.
3	GW-9934	1	/P	WASHER- shoulder, 1/2" (shoulder faces disc washers)
4	GW-9932	2	/P	WASHER- disc spring (concave surfaces face each other)
5	GW-2261	1	S	LEVER - wheel speed shift Includes #2244 knob (Ref. #8) and 199120 retaining ring (Ref. #18)
6	GW-2244	1	S	KNOB - wheel speed shift lever Includes #9120 retaining ring (Ref. 1118) and plastic decal inlay
7	GW-9317	1	/P	PIN - cotter, 3/32" x 1"
8	GW-1231	1	/P	ROD - connecting rod, wheel speed shift lever
9	GW-1033	1	/P	SWIVEL - connecting rod
10	GW-9902	1	S	WASHER - flat, 5/16", S.A.E.
11	GW-9338	1	S	PIN - hair cotter
12	GW-9608	1		LOCKNUT-hex. hd., 5/16"-18, retains swivel to eccentric lever
13	GW-9710	5	S	BOLT - hex. hd., 3/8"-16 x 1"
14	GW-9913	6	S	LOCKWASHER - springlock, 3/8"
15	GW-9904	7	S	WASHER - flat, 3/8", S.A.E. 9903
16	GW-2146	2	/P	BUSHING - spacer, 21/64" (.325") long, yoke to engine mount
17	GW-1113-1	2	S	BUSHING - spacer, 19/64" (.300") long, yoke link to retaining plug
18	GW-9120	1	/P	RING - retaining (tolerance ring)
19	GW-1920	1	/P	BLOCK - belt adjustment, 3-7/8" long Includes mounting hardware and belt adjustment rod (Ref. #'s 13,14,15, & 20)
20	GW-2100	1	/P	ROD - belt adjustment, 7" long, with measuring gauge
21	GW-9738	1	S	BOLT - hex. hd., 3/8"-24 x 1-3/4", engine pulley
22	GW-9715	1	S	BOLT - hex. hd., 3/8"-24 x 1-1/2", engine pulley For Kohler and Briggs & Stratton Engines
23	GW-1919	1	/P	DISC-reverse, rubber rimmed Includes #1920 belt adjustment block (Ref.#19)
	GW-2111	1	S	DISC ONLY-reverse, rubber rimmed
24	GW-9245	1	/P	BELT -forward drive
25	GW-1483	1	S	PULLEY- engine P.T.O. (Power Take Off)
26	GW-1138-1	A/R	S	SHIM - engine pulley, 1/16" thick
26	GW-1138-2	A/R	S	SHIM - same as above, 1/32" thick
27	GW-9303	1	/P	KEY - engine pulley, 3/16" square x 2-1/2"

Ref #	Part Number	Qty	S/P/F	Description
28	GW-9751	2	S	BOLT -hex. hd., 5/16"-18 x 1", Grades. Retains engine mounting bar ENGINES AND ENGINE MOUNT
29	GW-9801	2	S	NUT -hex., 5/16"-18 (jam nut) ENGINES AND ENGINE MOUNT
30	GW-1034	2	S	BAR- engine mounting ENGINES AND ENGINE MOUNT
31	GW-9147	2	/P	PLUG - thread protector, red plastic ENGINES AND ENGINE MOUNT
32	GW-9572	4	S	BOLT- hex. hd., 5/16"-24 x 1-1/8", engine mounting ENGINES AND ENGINE MOUNT
33	GW-9912	4	S	LOCKWASHER-springlock, 5/16" ENGINES AND ENGINE MOUNT
34	GW-1960	1		MOUNT- engine to tiller Includes four #9572 mounting bolts (Ref.#32); ; ENGINES AND ENGINE MOUNT
35		1		TECUMSEH ENGINE - 6 HP, recoil start, Model HH60, Specification 105126J, solid state electronic ignition, horizontal crankshaft is turned down to 3/4" at PTO end to accept engine pulley; ENGINES AND ENGINE MOUNT
		1		TECUMSEH ENGINE - 6 HP, electric start, Model HH-60, Specification 105127J Same as Part No. 10226 engine, but with electric start.; ENGINES AND ENGINE MOUNT
		1		7 HP TECUMSEH ENGINE-Recoil start Model #HMXL700.132501; ENGINES AND ENGINE MOUNT
		1		7 HP TECUMSEH ENGINE-Electric start Model #HMXL70-132502; ENGINES AND ENGINE MOUNT
		1		KOHLER ENGINE-8 HP Magnum, recoil start Model M8T, Specification P5.301512, solid state electronic ignition, horizontal crankshaft is turned down to 3/4" at PTO end to accept engine pulley; ENGINES AND ENGINE MOUNT
		1		KOHLER ENGINE - 8 HP Magnum, electric start Model MBS, Specification PS-301513. Same as Part No. 10203 engine, but with electric start. For use with tillers already equipped with Key Switch Starting System (GRID D-13); ENGINES AND ENGINE MOUNT

10056 Horse III (S/N 640000-855638)

Page 25 of 25

Wheel Speed Lever, Belt Drive System, Engines, Wheels

Ref #	Part Number	Qty	S/P/F	Description
36	GW-9322	2	S	PIN -roll (spiral, 5/16" x 1-1/2" long, wheel hub to shaft WHEEL & TIRE ASSEMBLIES
37	GW-9142	2		WHEEL & TIRE ASSEMBLY - standard tread, LEFT SIDE 4:00/4:80 x 8" tubeless tire with valve stem, mounted on single-piece steel wheel. WHEEL & TIRE ASSEMBLIES
38	GW-9143	1	S/F	WHEEL & TIRE ASSEMBLY - bar tread, LEFT SIDE 4:80 x 8" tubeless tire with valve stem, mounted on single-piece steel wheel. WHEEL & TIRE ASSEMBLIES
38A	GW-9144	1	S/F	WHEEL & TIRE ASSEMBLY - bar tread, RIGHT SIDE. Same as #9143 but for right side of tiller; WHEEL & TIRE ASSEMBLIES
39	GW-9145	2	S	CAP - wheel hub WHEEL & TIRE ASSEMBLIES