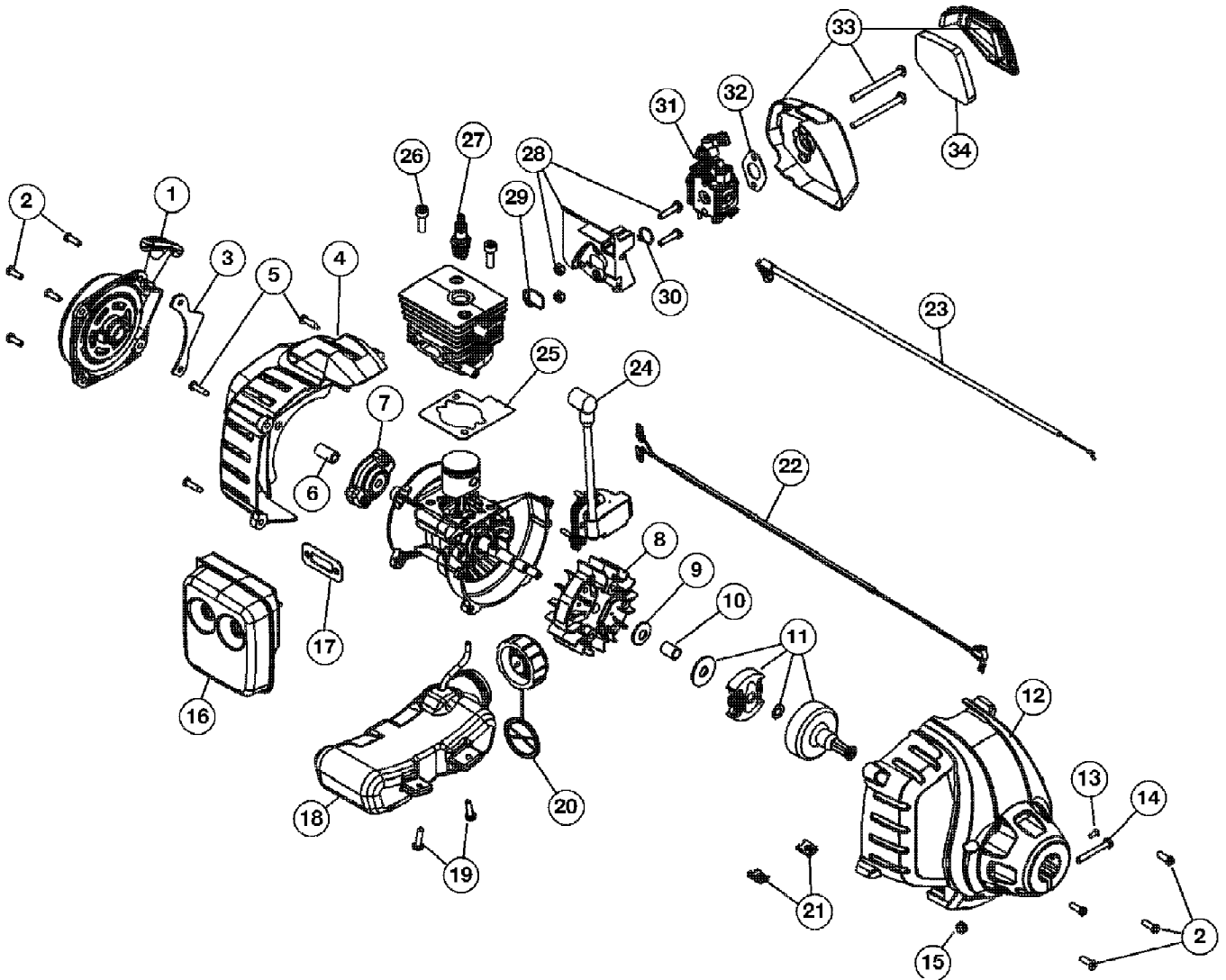


TB21EC 41ADT21C966
Engine Assembly

Page 1 of 4

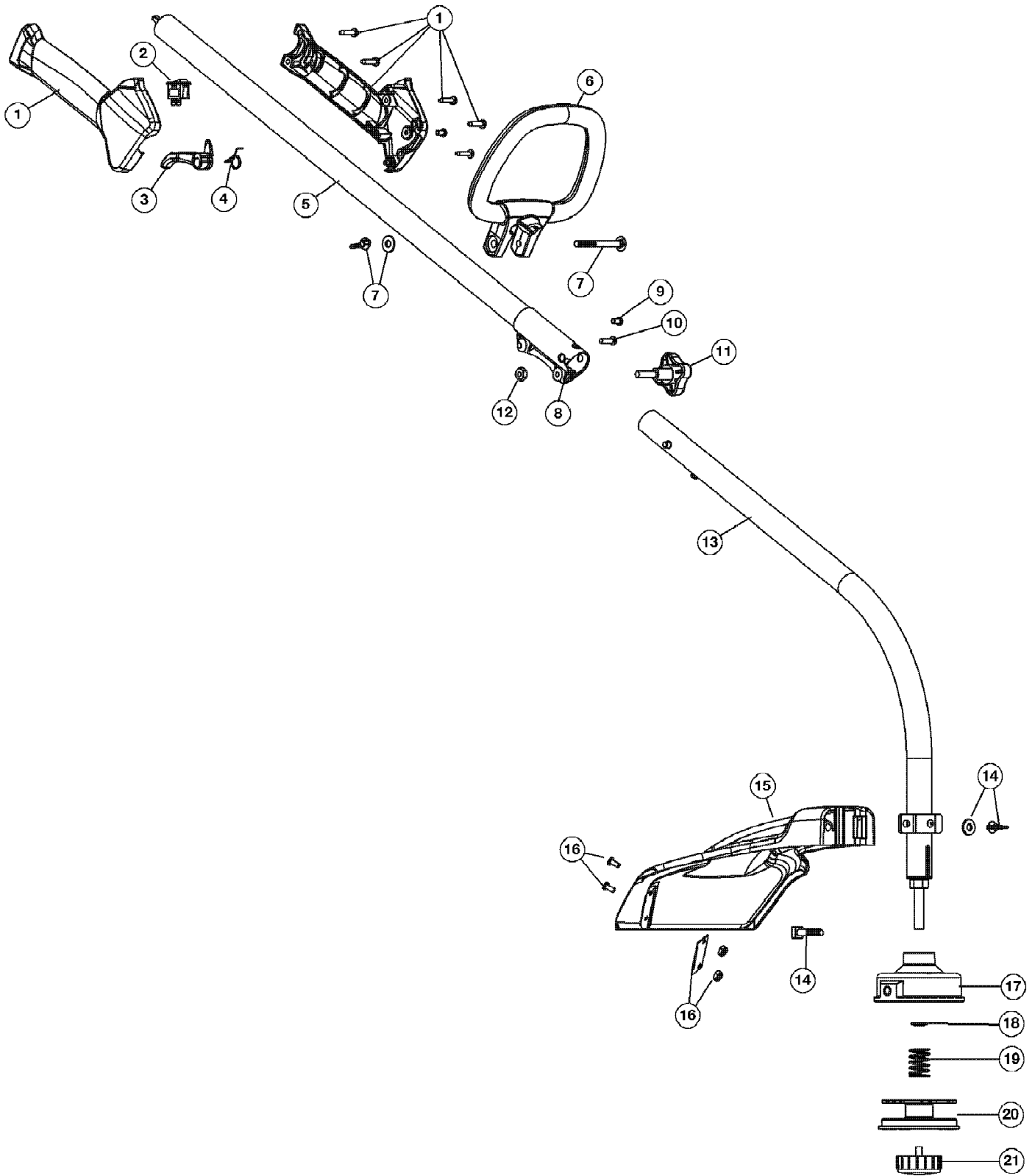


TB21EC 41ADT21C966
Engine Assembly

Page 2 of 4

Ref #	Part Number	Qty	S/P/F	Description
1	753-06243	1		Rear Cover Assembly (Incl. Ref 2)
2	791-181862	1	/P	Starter Screw
3	753-06244	1		Starter Assembly (Incl. Ref 2)
4	753-06245	1		Rear Engine Cover (Incl. Ref 5)
5	791-181345	1	/P	Cover Screw
6	753-06104	1		Adapter
7	753-06091	1		Pawl Assembly
8	753-06246	1		Flywheel Assembly
9	753-06247	1		Washer
10	753-06248	1		Spacer
11	753-05860	1	/P	Clutch Assembly
12	753-06249	1		Clutch Cover Assembly (Incl. Ref 2, 13-15 & 21)
13	791-182519	1		Anti Rotation Screw
14	753-04003	1		Clamp Screw
15	791-180217	1	S	Clamp Nut
16	753-06182	1		Muffler Assembly
17	753-04619	1	/P	Muffler Gasket
18	753-06250	1		Fuel Tank Assembly (Incl. Ref 19 & 20)
19	791-181930	1		Tank Screw
20	753-05057	1	/P	Fuel Cap
21	791-182366	1		U-Shaped Nut
22	753-05877	1		Lead Wires
23	753-06251	1		Throttle Cable
24	753-05420	1		Module Assembly
25	753-06252	1		Cylinder Gasket
26	710-04715	1	/P	Cylinder Bolt
27	753-06193	1		Spark Plug
28	753-06189	1		Insulator Assembly (Incl. Ref 28 & 29)
29	753-06184	1		Insulator O-Ring
30	753-06185	1		Carburetor O-Ring
31	753-06190	1		Carburetor
32	753-06253	1		Carburetor Gasket
33	753-06191	1		Aircleaner Assembly (Incl. Ref 34)
34	753-06085	1		Aircleaner Filter
	753-06254	1		Short Block Assembly (Incl. Ref 8-10, 24-27, Crankcase, Cylinder & Piston) Not shown
	49M2027P953	1	S	Electric Starter Optional, Not shown
	49MESCBP953	1		Power Start Bit Optional, Not shown
	737-04041	1	S	Oil-2 cycle 3.20 oz Bottle Optional, Not shown

TB21EC 41ADT21C966
General Assembly



TB21EC 41ADT21C966
General Assembly

Page 4 of 4

Ref #	Part Number	Qty	S/P/F	Description
1	753-04234	1		Throttle Housing Assembly (Incl. Ref 2-4)
2	791-182405	1	/P	Switch
3	753-04119	1	/P	Throttle Trigger
4	791-182690	1		Throttle Trigger Spring
5	753-04344	1	/P	Upper Shaft Housing Assembly
6	753-05461	1		D-Handle (Incl. Ref 7)
7	791-181587	1	/P	D-Handle Hardware Assembly
8	753-1190	1	/P	Split Boom Coupler (Incl. Ref 9-12)
9	791-182057	1		Anti Rotation Screw
10	791-181617	1		Bolt
11	791-181618B	1	/P	Adjustment Knob
12	712-04018A	1	/P	Knob Retainer Nut
13	753-04508	1		Lower Shaft Housing Assembly
14	753-04282	1		Shield Mounting Hardware
15	753-04283	1		Shield Assembly (Incl. Ref 16)
16	791-180553	1		Blade Assembly
17	753-04284	1		Outer Spool Assembly (Incl. Ref 18)
18	791-610660	1		Retainer
19	791-610317B	1	/P	Spring
20	753-1155	1	/P	Inner Reel
21	791-153066B	1	/P	Bump Head Knob Assembly
	953-1156	1	/P	Reel & Line Assembly Optional, Not shown
	753-05778	1		Fixed Line Insert Optional, Not shown
	791-180920	1		.095 Replacement Line Optional, Not shown