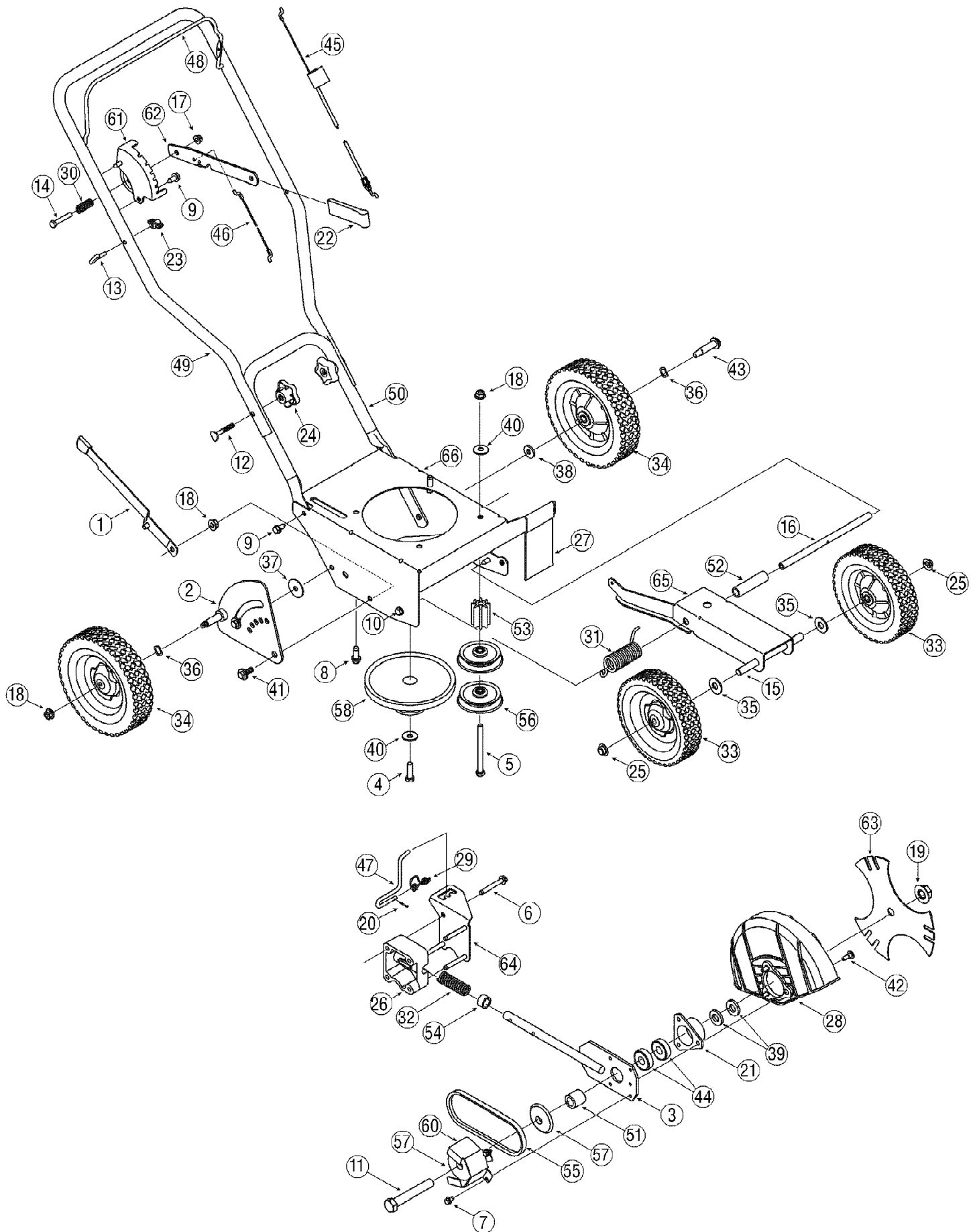


25B-554E066 (2007)  
General Assembly



25B-554E066 (2007)  
General Assembly

Page 2 of 3

| Ref # | Part Number | Qty | S/P/F | Description                            |
|-------|-------------|-----|-------|--|
| 1     | 687-02022   | 1   |       | Curb Height Adjustment Lever           |
| 2     | 687-02125A  | 1   |       | Curb Height Adjuster Plate             |
| 3     | 687-02126   | 1   |       | Blade Plate Assembly                   |
| 4     | 710-0191    | 1   | /P    | Screw 3/8-24                           |
| 5     | 710-0411    | 1   | /P    | Screw 3/8-16                           |
| 6     | 710-04389   | 1   |       | Hex Screw, 5/16-18                     |
| 7     | 710-0599    | 1   | /P    | Self-tapping Screw, 1/4-20             |
| 8     | 710-0654A   | 1   | /P    | Screw, 3/8-16                          |
| 9     | 710-0726    | 1   | /P    | Hex Screw, 5/16-12                     |
| 10    | 710-0870    | 1   | /P    | Hex Screw 5/16-18                      |
| 11    | 710-1143A   | 1   | /P    | Hex Screw, 5/8-18                      |
| 12    | 710-1174    | 1   | /P    | Carriage Bolt, 5/16-18                 |
| 13    | 710-1205    | 1   | /P    | Rope Guide (Eye Bolt)                  |
| 14    | 710-3180    | 1   | /P    | Hex Screw, 5/16-18                     |
| 15    | 711-04361   | 1   |       | Axle Shaft .50x6.65                    |
| 16    | 711-04440   | 1   |       | Frame Spacer .50x9.25                  |
| 17    | 712-04063   | 1   | /P    | Lock Flange Nut, 5/16-18               |
| 18    | 712-04065   | 1   | /P    | Flange Nut 3/8-16                      |
| 19    | 712-0417A   | 1   | /P    | Flange Nut, 5/8-18                     |
| 20    | 714-3010    | 1   | /P    | Clevis Pin 3/32 x .625                 |
| 21    | 718-04012   | 1   | /P    | Bearing Cup                            |
| 22    | 720-0142    | 1   | /P    | Grip                                   |
| 23    | 720-0279    | 1   | /P    | Wing Nut                               |
| 24    | 720-04072   | 1   | S     | Star Knob                              |
| 25    | 726-0299    | 1   | /P    | Push Cap 1/2" rod                      |
| 26    | 731-04207   | 1   | S     | Bearing Block                          |
| 27    | 731-05063   | 1   |       | Debris Guard                           |
| 28    | 731-05064   | 1   | /P    | Blade Guard                            |
| 29    | 732-0188A   | 1   | /P    | Double Torsion Spring                  |
| 30    | 732-0369    | 1   | S     | Compression Spring                     |
| 31    | 732-04045   | 1   |       | Torsion Spring                         |
| 32    | 732-04169   | 1   | S     | Compression Spring                     |
| 33    | 734-1264    | 1   | /P    | Wheel 7 x 1.75 T-Tread Optional        |
| 34    | 734-1268    | 1   | /P    | Wheel 8 x 1.75 T-Tread Optional        |
| 35    | 736-0179    | 1   | S     | Flat Washer 1/2 x 1.25 x .10 Optional  |
| 36    | 736-0232    | 1   | S     | Wave Washer .531 x .781 x .013         |
| 37    | 736-0234    | 1   | /P    | Flat Washer, .385 x 1.5 x .075         |
| 38    | 736-0258    | 1   | /P    | Flat Washer .385 x 1.0 x .135 Optional |
| 39    | 736-04088   | 1   | S     | Flat Washer .635x1.24x.181             |
| 40    | 736-0452    | 1   | S     | Bell Washer,.396 x 1.140               |
| 41    | 738-04149   | 1   |       | Shoulder Screw, 3/8-16                 |
| 42    | 738-0706C   | 1   | /P    | Shoulder Screw                         |
| 43    | 738-0929    | 1   |       | Shoulder Screw, 3/8-16                 |
| 44    | 741-0524    | 1   | S     | Bearing, .625 ID x 1.57 OD             |
| 45    | 746-04035   | 1   |       | Control Cable (Briggs & Stratton)      |
| 46    | 746-04036   | 1   | S     | Wheel Adjustment Cable                 |
| 47    | 747-04110   | 1   |       | Blade Adjustment Rod                   |
| 48    | 747-0976A   | 1   | S     | Bail Handle                            |
| 49    | 749-04183   | 1   | S     | Upper Handle                           |
| 50    | 749-04234   | 1   | S     | Lower Handle                           |
| 51    | 750-04105   | 1   | S     | Spacer, .63 x 1.12 x 1.06              |
| 52    | 750-04129   | 1   |       | Spacer                                 |
| 53    | 750-04142   | 1   | S     | Pulley Mount Spacer                    |

25B-554E066 (2007)  
General Assembly

Page 3 of 3

| Ref # | Part Number | Qty | S/P/F | Description                        |
|-------|-------------|-----|-------|------------------------------------|
| 54    | 750-0547    | 1   |       | Spacer, .64 x.88 x .50             |
| 55    | 754-04032B  | 1   | S     | Belt                               |
| 56    | 756-04148   | 1   |       | Flat Idler Pulley, 2.5 OD          |
| 57    | 756-0449    | 1   | S     | Sheave                             |
| 58    | 756-1150A   | 1   |       | Combination Flywheel Pulley        |
| 59    | 781-0080    | 1   | S     | Edger Blade                        |
| 60    | 781-0427    | 1   | S     | Belt Guard                         |
| 61    | 781-0741A   | 1   |       | Depth Index Bracket                |
| 62    | 781-0742    | 1   | S     | Depth Index Lever                  |
| 63    | 781-0748    | 1   | S     | Tri-Star Blade (Trencher) Optional |
| 64    | 787-01081A  | 1   |       | Cover Plate                        |
| 65    | 787-01239   | 1   |       | Dual Wheel Bracket                 |
| 66    | 787-01304   | 1   |       | Frame                              |