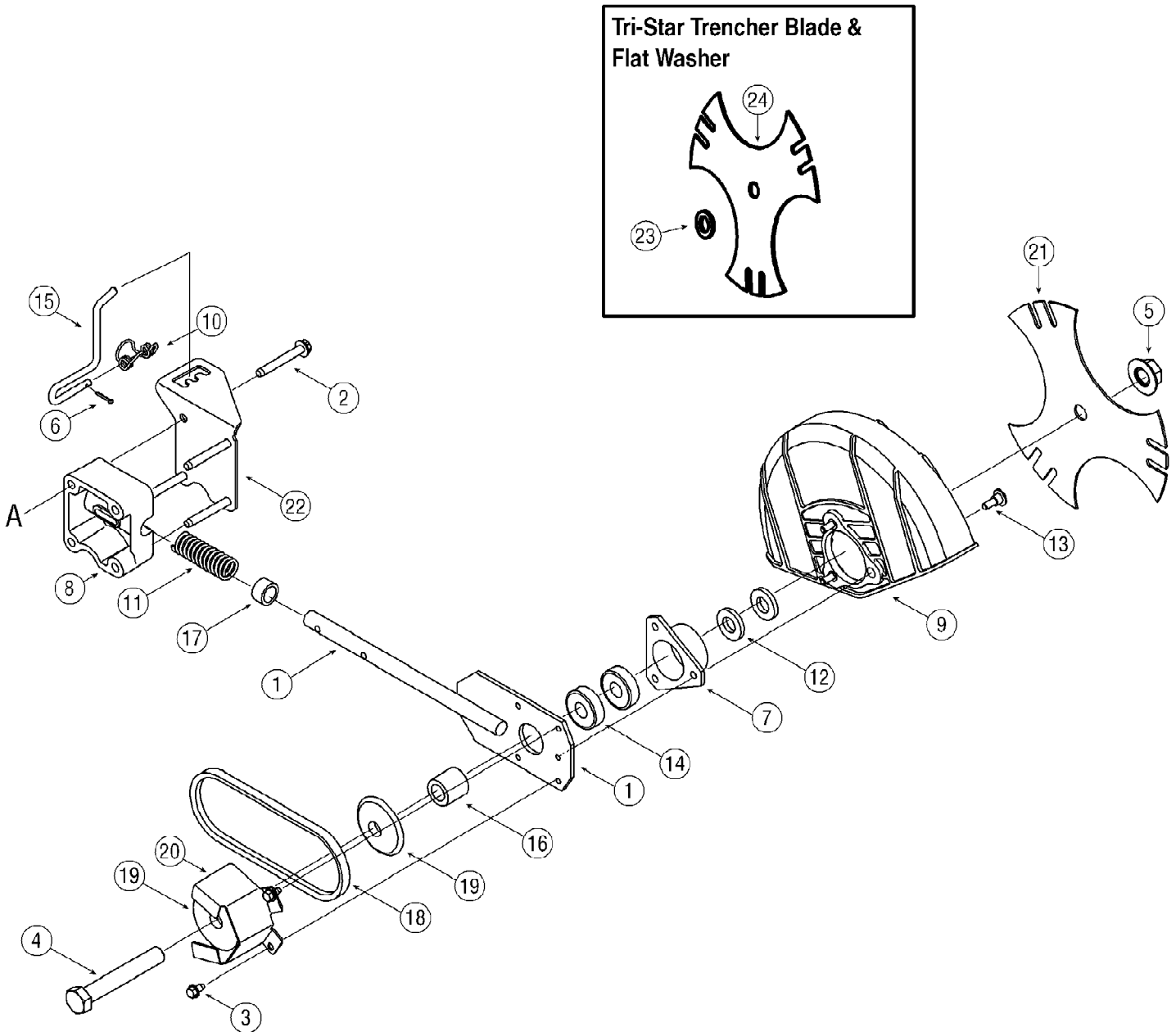


25B-554D766 (2006)
Blade

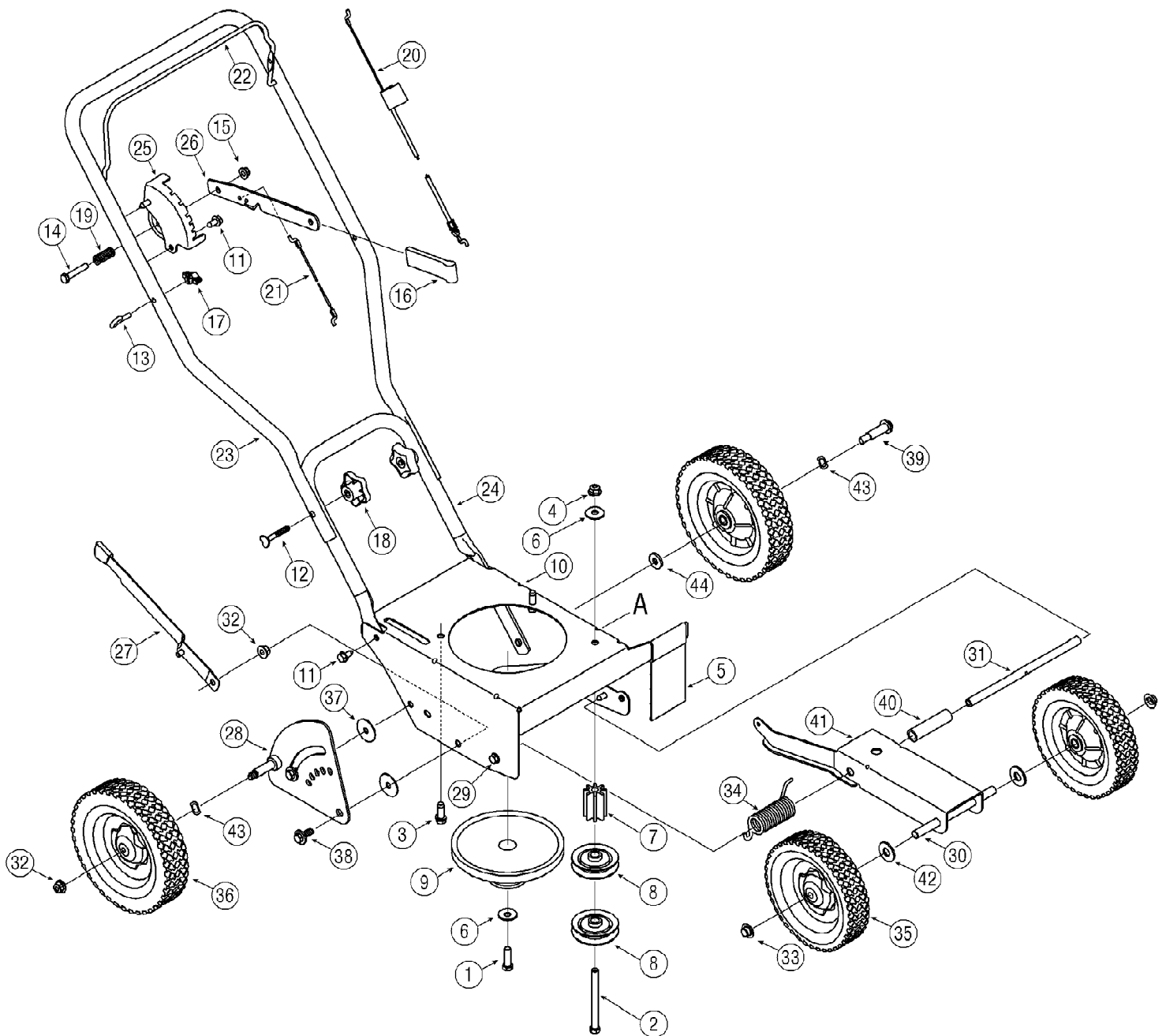


25B-554D766 (2006)
Blade

Page 2 of 6

Ref #	Part Number	Qty	S/P/F	Description
1	687-02126	1		Blade Plate Assembly
2	710-04389	1		Hex Screw, 5/16-18
3	710-0599	1	/P	Self-tapping Screw, 1/4-20
4	710-1143A	1	/P	Hex Screw, 5/8-18
5	712-0417A	1	/P	Flange Nut, 5/8-18
6	714-3010	1	/P	Clevis Pin 3/32 x .625
7	718-04012	1	/P	Bearing Cup
8	731-04207	1	S	Bearing Block
9	731-05064	1	/P	Blade Guard
10	732-0188A	1	/P	Double Torsion Spring
11	732-04169	1	S	Compression Spring
12	736-04088	1	S	Flat Washer .635 x 1.24 x .181
13	738-0706C	1	/P	Shoulder Screw
14	741-0524	1	S	Bearing, .625 ID x 1.57 OD
15	747-04110	1		Blade Adjustment Rod
16	750-04105	1	S	Spacer, .63 x 1.12 x 1.06
17	750-0547	1		Spacer, .64 x .88 x .50
18	754-04032B	1	S	Belt
19	756-0449	1	S	Sheave
20	781-0427	1	S	Belt Guard
21	781-0748	1	S	Tri-star Blade
22	787-01081A	1		Cover Plate
23	736-04088	1	S	Flat Washer
24	781-0748	1	S	Tri-Star Blade (Trencher)

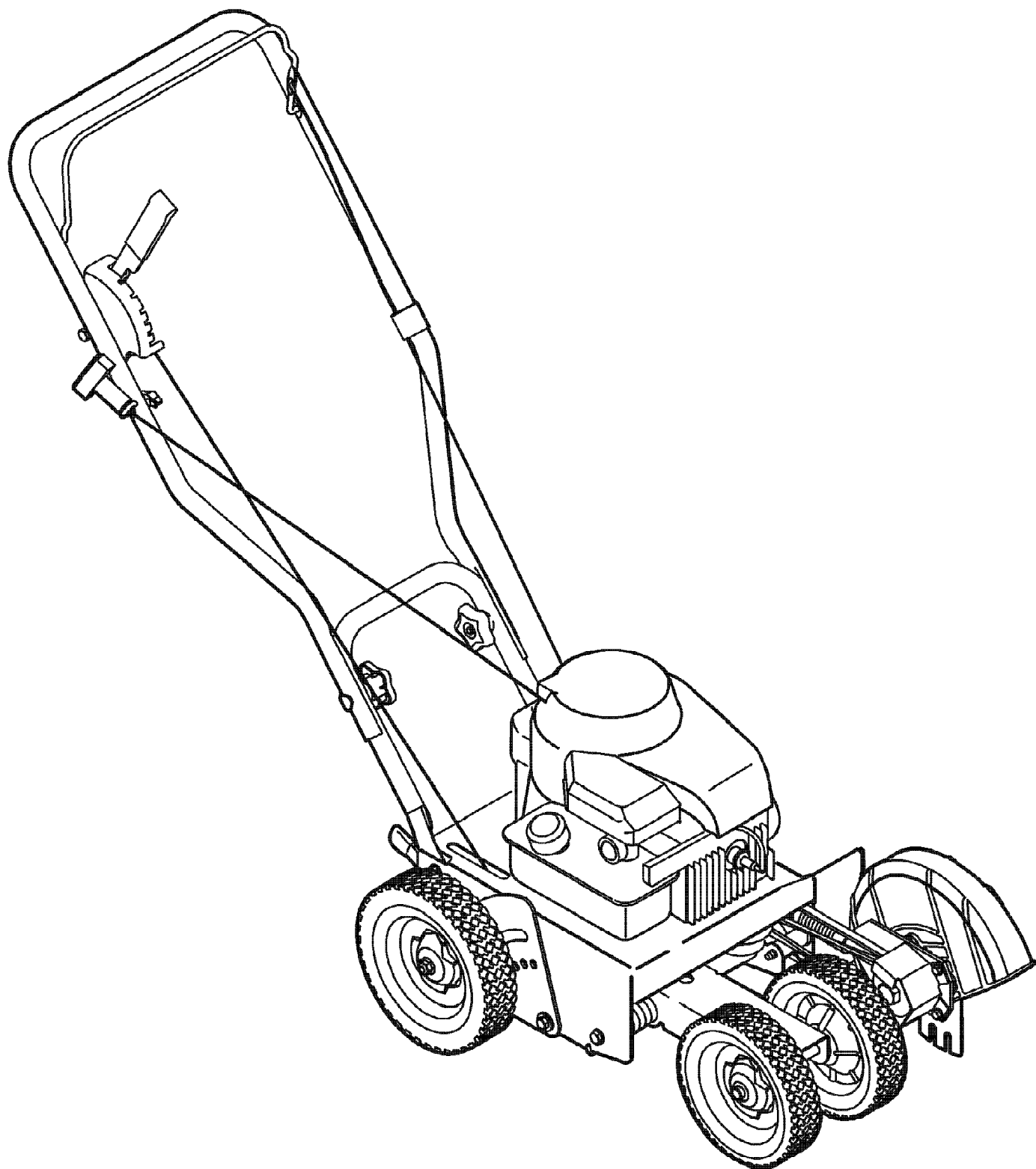
25B-554D766 (2006)
General Assembly



25B-554D766 (2006)
General Assembly

Page 4 of 6

Ref #	Part Number	Qty	S/P/F	Description
1	710-0191	1	/P	Screw 3/8-24
2	710-0411	1	/P	Screw 3/8-16
3	710-0654A	1	/P	Screw, 3/8-16
4	712-04065	1	/P	Flange Lock Nut, 3/8-16
5	731-05063	1		Debris Guard
6	736-0452	1	S	Bell Washer, .396 x 1.140
7	750-04142	1	S	Pulley Mount Spacer
8	756-04148	1		Flat Idler Pulley, 2.5
9	756-1150A	1		Combination Flywheel
10	787-01304	1		Frame
11	710-0726	1	/P	Hex Screw, 5/16-12
12	710-1174	1	/P	Carriage Bolt, 5/16-18
13	710-1205	1	/P	Rope Guide (Eye Bolt)
14	710-3180	1	/P	Hex Screw, 5/16-18
15	712-04063	1	/P	Lock Flange Nut, 5/16-18
16	720-0142	1	/P	Grip
17	720-0279	1	/P	Wing Nut
18	720-04052	1	S	Hand Knob
19	732-0369	1	S	Compression Spring
20	746-04035	1		Control Cable (Briggs & Stratton)
21	746-04036	1	S	Wheel Adjustment Cable
22	747-0976A	1	S	Bail Handle
23	749-04183	1	S	Upper Handle
24	749-04234	1	S	Lower Handle
25	781-0741A	1		Depth Index Bracket
26	781-0742	1	S	Depth Index Lever
27	687-02022	1		Curb Height Adjustment
28	687-02125	1		Curb Height Adjuster
29	710-0870	1	/P	Hex Screw 5/16-18
30	711-04361	1		Axle Shaft .50 x 6.65
31	711-04440	1		Frame Spacer .50 x 9.25
32	712-04065	1	/P	Flange Nut 3/8-16
33	726-0299	1	/P	Push Cap 1/2" rod
34	732-04045	1		Torsion Spring
35	734-1264	1	/P	Wheel 7x1.8
36	734-1268	1	/P	Wheel 8x1.8
37	736-0234	1	/P	Flat Washer, .385 x 1.5 x .075
38	738-04149	1		Shoulder Screw, 3/8-16
39	738-0929	1		Shoulder Screw, 3/8-16
40	750-04129	1		Spacer
41	787-01239	1		Dual Wheel Bracket
42	736-0179	1	S	Flat Washer 1/2 x 1.25 x .10
43	736-0232	1	S	Wave Washer .531 x .781 x .013
44	736-0258	1	/P	Flat Washer .385 x 1.0 x .135



25B-554D766 (2006)
Quick Reference

Page 6 of 6

Ref #	Part Number	Qty	S/P/F	Description
	759-3338	1	/P	Spark Plug
	N/A	1		Pre Filter
	BA-698369	1		Air Filter
	746-04035	1		Control Cable
	746-04036	1	S	Wheel Adjustment Cable
	781-0742	1	S	Depth Index Lever
	756-1150A	1		Flywheel Pulley
	754-04032B	1	S	Drive Belt
	731-05064	1	/P	Blade Guard
	781-0748	1	S	Blade
	720-04052	1	S	Handle Knob
	687-02022	1		Curb Height Adjustment
	734-1264	1	/P	Wheels - Front
	734-1268	1	/P	Wheels - Rear