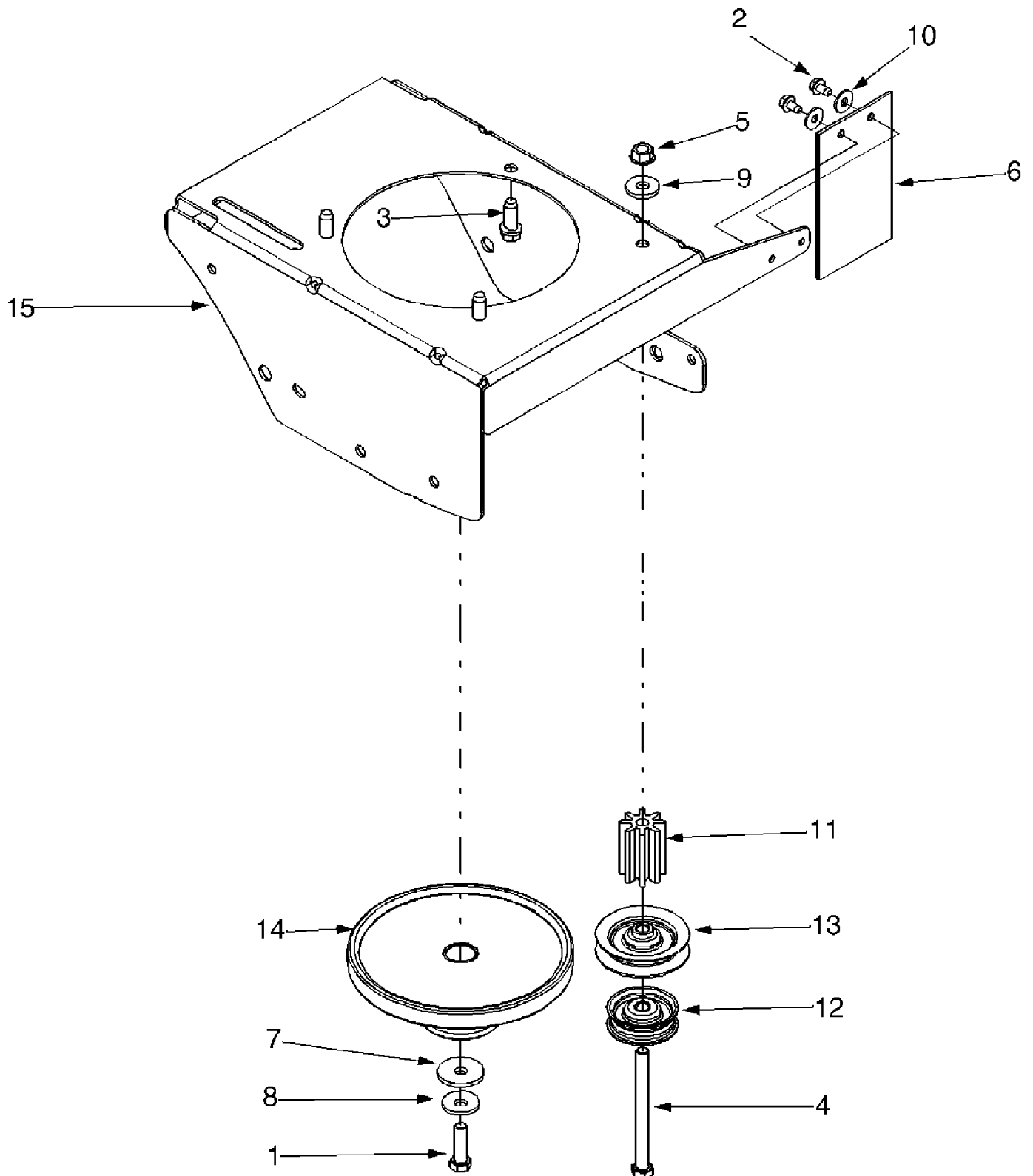


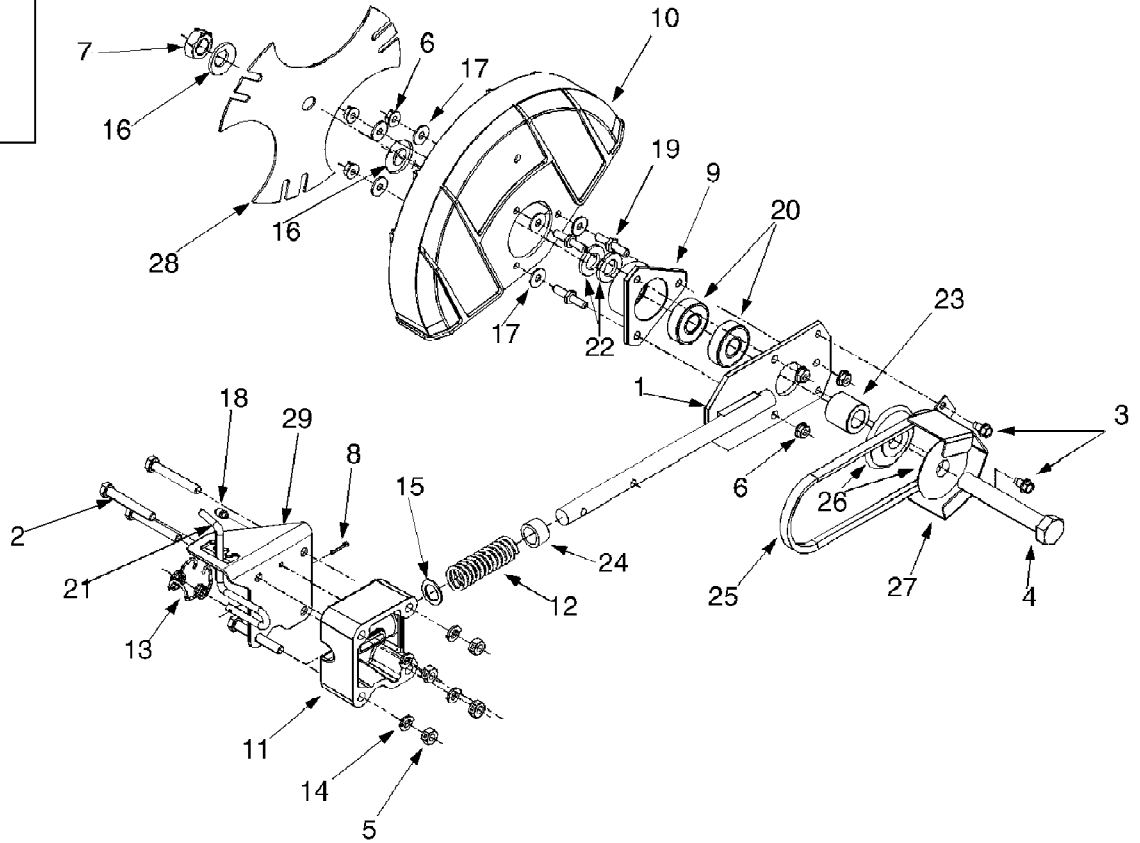
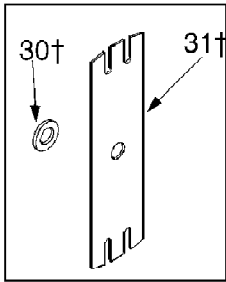
25A-553F063 (2003)
Frame



25A-553F063 (2003)
Frame

Page 2 of 8

Ref #	Part Number	Qty	S/P/F	Description
1	710-0191	1	/P	Screw, 3/8-24
2	710-0599	1	/P	Screw, 1/4-20
3	710-0654A	1	/P	Screw, 3/8-16
4	710-0944	1	/P	Screw, 3/8-16
5	712-0431	1	S	Flange Lock Nut, 3/8-16
6	731-04168	1	S	Debris Guard
7	736-0320	1	/P	Flat Washer, 3/8 ID x 1.37 OD
8	736-0452	1	S	Bell Washer,.396 x 1.140
9	736-3052	1	/P	Flat Washer,.406 x 1.00
10	736-3090	1	/P	Flat Washer,.260 x.720
11	750-04142	1	S	Pulley Mount Spacer
12	756-0313	1	/P	Flat Idler Pulley, 1.88 OD
13	756-1035A	1	/P	Idler Pulley
14	756-1150A	1		Combination Flywheel Pulley
15	787-01072	1		Frame

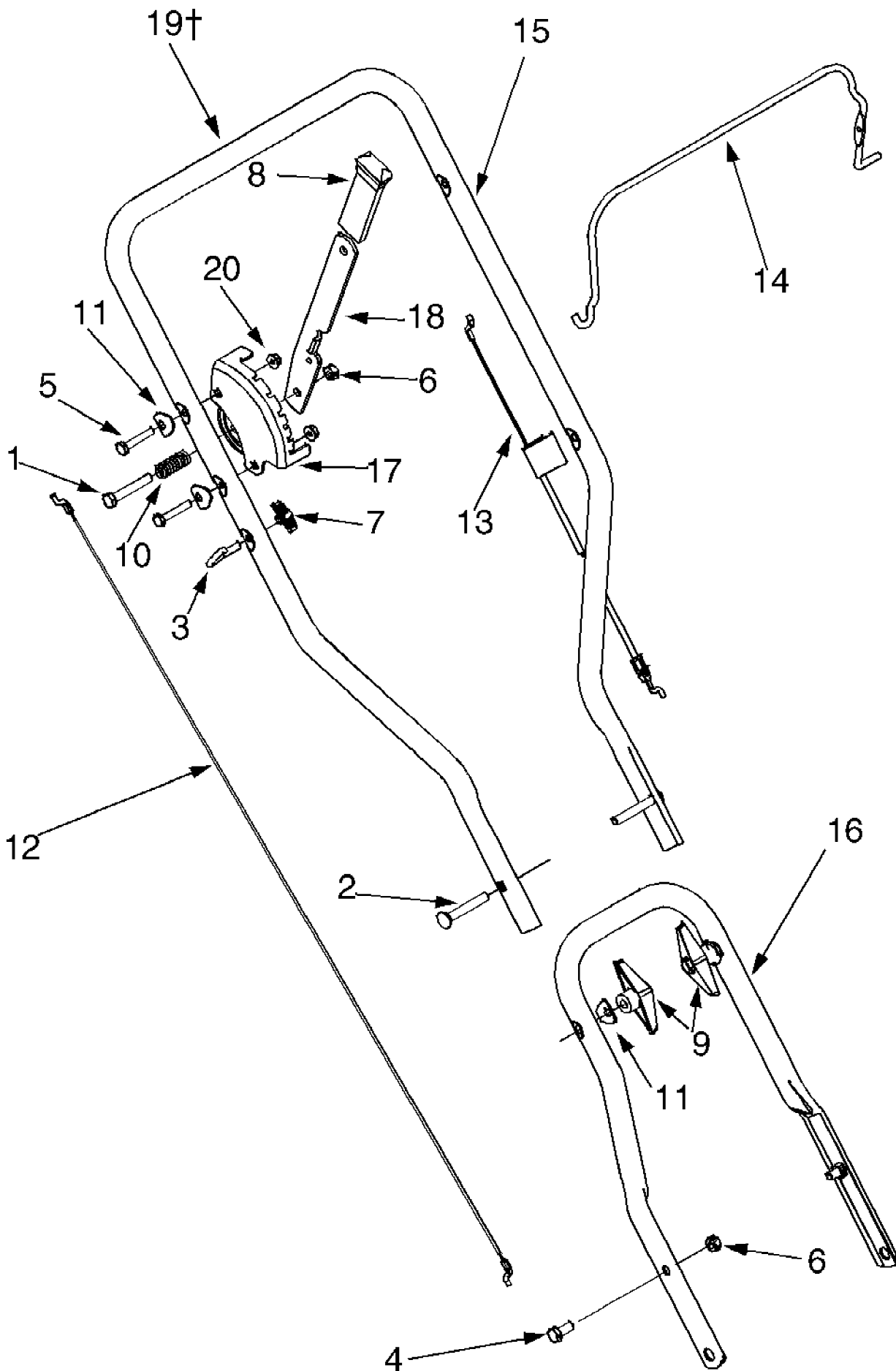


V-BELTS are specially designed to engage and disengage safely. A substitute (non-OEM) V-Belt can be dangerous by not disengaging completely.

25A-553F063 (2003)
General Assembly

Page 4 of 8

Ref #	Part Number	Qty	S/P/F	Description
1	687-02019	1		Blade Plate Assembly
2	710-0395	1	/P	Hex Screw, 5/16-18
3	710-0599	1	/P	Self-tapping Screw, 1/4-20
4	710-1143A	1	/P	Hex Screw, 5/8-18
5	712-3004A	1	/P	Hex Lock Nut, 5/16-18
6	712-3027	1	S	Hex Flange Nut, 1/4-20
7	712-3056	1	/P	Jam Nut, 5/8-18
8	714-3010	1	/P	Cotter Pin
9	718-04012	1	/P	Bearing Cup
10	731-04158	1	S	Blade Guard
11	731-04207	1	S	Bearing Block
12	732-0187	1		Compression Spring
13	732-0188A	1	/P	Double Torsion Spring
14	736-0119	1	S	Lock Washer
15	736-0302	1	/P	Flat Washer,.632 ID,.943 OD
16	736-0317	1	/P	Bell Washer,.63 ID x 1.2 OD
17	736-3090	1	/P	Flat Washer,.260 x.72
18	737-3000	1	S	Lube Fitting, 3/16
19	738-04025	1	S	Pin, 1/4-20
20	741-0524	1	S	Bearing,.625 ID x 1.57 OD
21	747-04110	1		Blade Adjustment Rod
22	736-04088	1	S	Flat Washer
23	750-04105	1	S	Spacer,.63 x 1.12 x 1.06
24	750-0547	1		Spacer,.632 ID x.875 OD
25	754-0465	1	S	Belt
26	756-0449	1	S	Sheave
27	781-0427	1	S	Spindle Belt Guard
28	781-0748	1	S	Tri Star Blade
29	787-01081	1	S	Index Bracket
30	736-04088	1	S/F	Flat Washer
31	781-0080	1	S/F	Dual Edger Blade

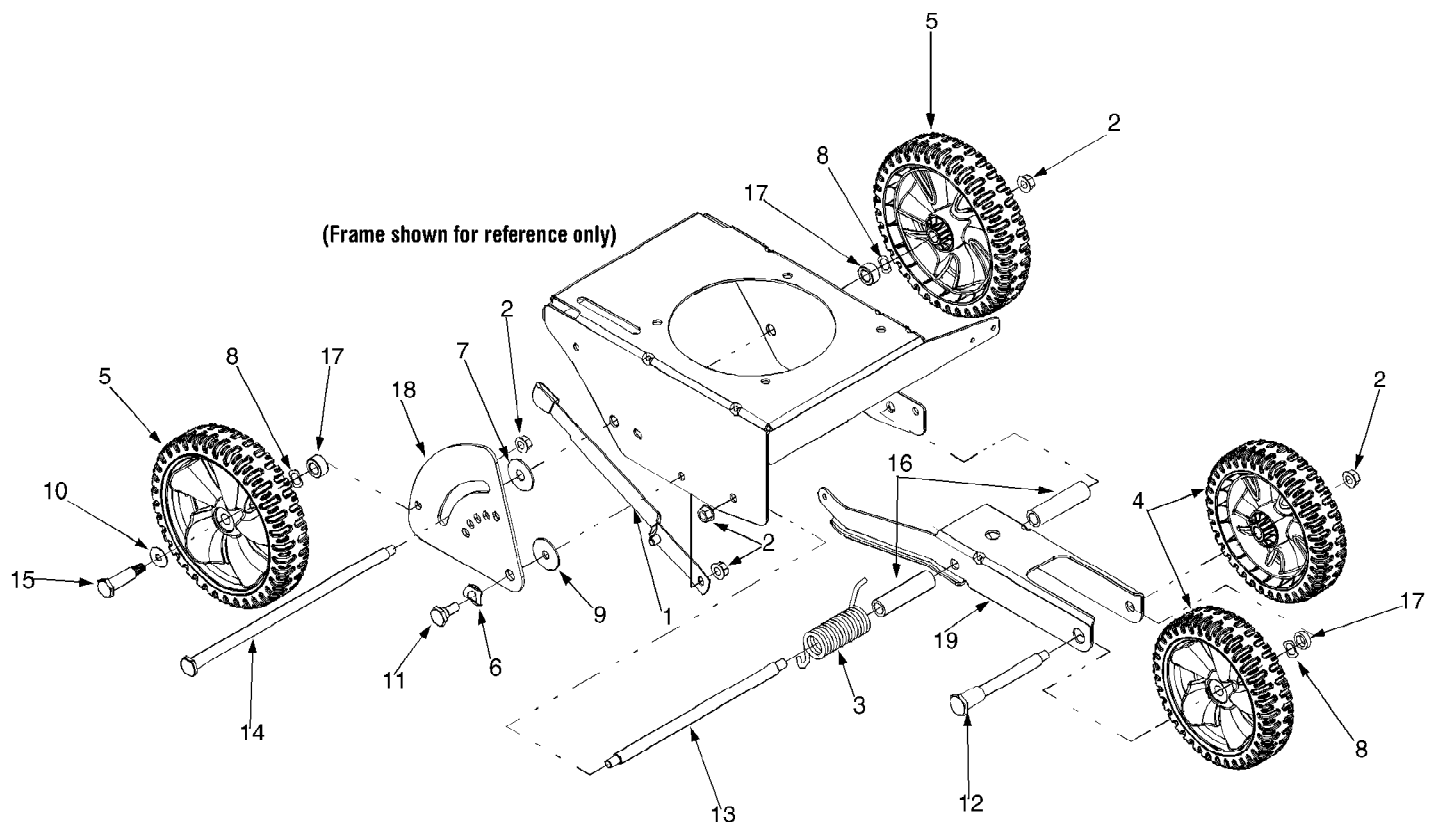


25A-553F063 (2003)
Handlebar

Page 6 of 8

Ref #	Part Number	Qty	S/P/F	Description
1	710-3103	1	/P	Screw, 5/16-18
2	710-0449	1	S	Screw, 5/16-18
3	710-1205	1	/P	Eye Bolt
4	710-3008	1	/P	Screw, 5/16-18
5	710-0606	1	/P	Screw
6	712-3004A	1	/P	Hex Lock Nut, 5/16-18
7	720-0279	1	/P	Wing Nut
8	720-0142	1	/P	Grip
9	720-0284	1	S	Wing Knob
10	732-0369	1	S	Compression Spring
11	736-0451	1	S	Saddle Washer, .320 ID x.93 OD
12	746-04036	1	S	Wheel Adjustment Cable
13	746-04052	1		Control Cable (Tecumseh)
	746-04035	1		Control Cable (Briggs & Stratton)
14	747-0976A	1	S	Bail Handle
15	749-1225	1	S	Upper Handle
16	749-4044	1	S	Lower Handle
17	781-0741	1		Depth Index Bracket
18	781-0742	1	S	Depth Index Lever
19	720-0297	1	F	Foam Grip
20	712-3027	1	S	Hex Flange Nut, 1/4-20

25A-553F063 (2003)
Wheels



25A-553F063 (2003)
Wheels

Page 8 of 8

Ref #	Part Number	Qty	S/P/F	Description
1	687-02022	1		Curb Height Adjustment Lever
2	712-0431	1	S	Flange Lock Nut, 3/8-16
3	732-04045	1		Torsion Spring
4	734-1264	1	/P	Wheel 7 x 1.75
5	734-1268	1	/P	Wheel 8 x 1.75
6	736-0182	1	/P	Spring Washer,.500 x 1.00
7	736-0208	1	S	Flat Washer,.51 ID x 1.5 OD
8	736-0232	1	S	Wave Washer,.531 ID x.781 OD
9	736-0234	1	/P	Washer,.385 x 1.5
10	736-0326	1	S	Flat Washer,.510 x 1.00
11	738-0380	1	S	Shoulder Screw,.50 x.27
12	738-04036	1	S	Shoulder Screw,.50 x 4.62
13	738-04037	1		Shoulder Screw,.50 x 9.36, 3/8-16
14	738-04041	1	S	Shoulder Screw,.50 x 11.61
15	738-0527	1	S	Shoulder Screw,.498 x 2.045
16	750-04129	1		Spacer,.525 x.688
17	750-0664	1		Spacer,.505 ID x.88 OD
18	781-0100	1	/P	Curb Height Adjuster Plate
19	787-01074	1	S	Wheel Bracket