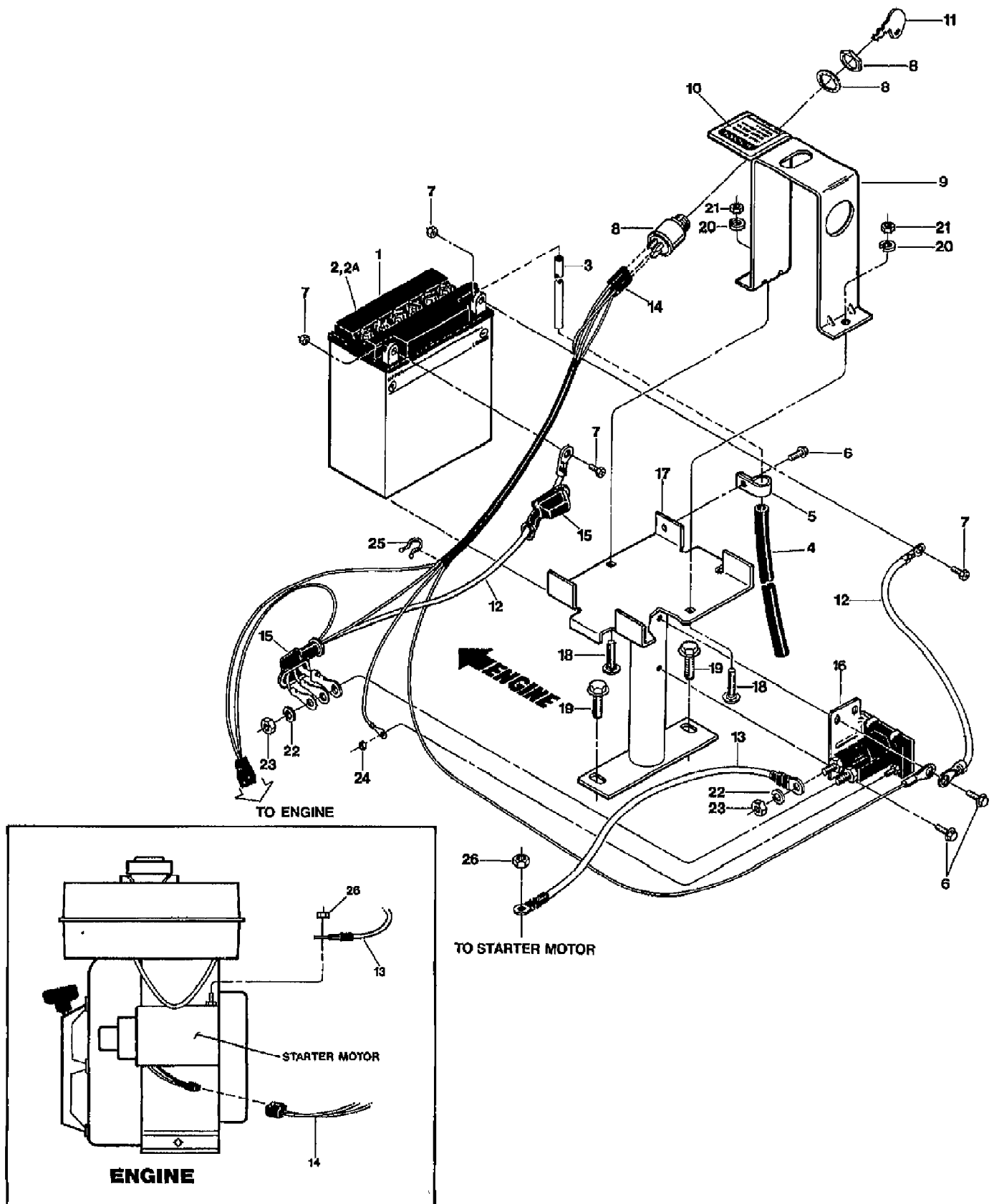


15010 ECONO-HORSE(6HP) OPC (S/N E0047261-UP)  
ELECTRIC START ASSEMBLY

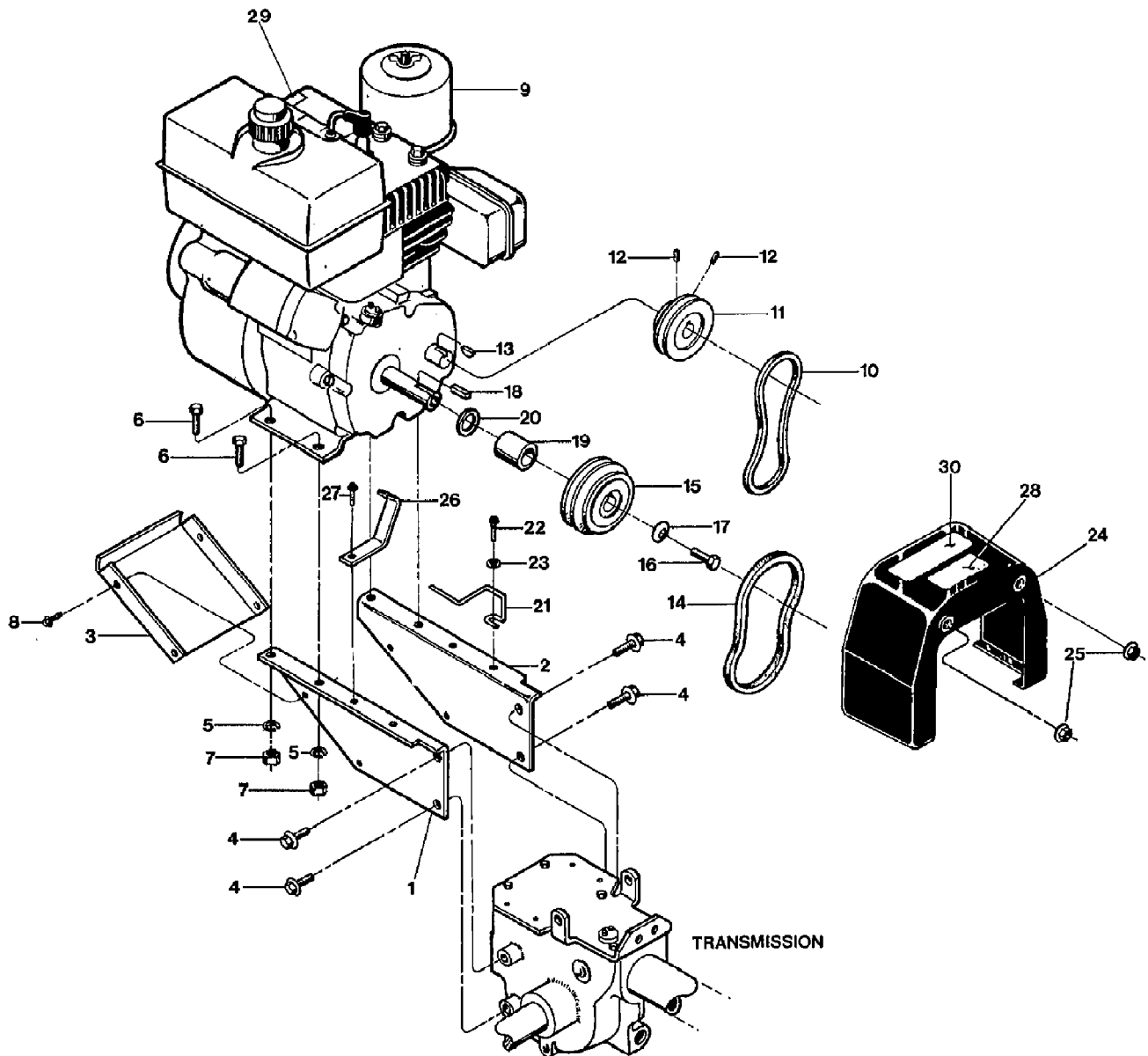


15010 ECONO-HORSE(6HP) OPC (S/N E0047261-UP)  
ELECTRIC START ASSEMBLY

Page 2 of 18

Ref #	Part Number	Qty	S/P/F	Description
1	96512	0	F	BATTERY
2	9462	0		CAP-YELLOW
2A	9248	0		CAP-BATTERY WHITE (PONY)
3	9009	0	S	TUBE-VENT BATTERY/HSE
4	1475	0		TUBING-RUBBER (HARD PLASTIC)
5	9224	0		CLAMP
6	9552	0	S	SCR-HWH 1/4-20 X .5 STH
7	11361	0	F	HDW PKG-BATTERY TERMINAL
8	1908112	0	S/F	ASSM-KEYSWITCH ELEC TLR
9	20898	0		KEY PLATE/CLAMP PNT (INCL. DECAL, #10)
10	1900944	0	S	DECAL-KEYSWITCH TILLER
11	1908124	0		KEY-IGNITION
12	96509	0		CABLE-BATTERY-12"
13	1901202	0	/P	CABLE-BATTERY 15"
14	1908117	0	F	ASSM-WIRE HARNESS - AVAIL. AS COMPLETE ASSY. ONLY
15	97020	0	S	BOOT-BATTERY CABLE
16	96514	0	S	SOLENOID - INCL. NUTS & WASHERS FOR CABLES & WIRES
17	20837	0	S	BRKT-BATTERY OPC PNT
18	9566	0		SCR-CARR 1/4-20X1.25
19	90045	0		SCR-HFLK 5/16-18X1.00 ZP
20	9910	0		WASHER-LK .25 ZP
21	9800	0		NUT-HEX 1/4-20 ZP
22	9912	0		WASHER-LK .312 ZP
23	9826	0		NUT-HEX 5/16-24
24	9853	0	S	NUT W/LKWASHER #10-32 ZP
25	9265	0	S	TIE-TWIST LOCK
26	9844	0		NUT-HF/LK 1/4-20 ZP

15010 ECONO-HORSE(6HP) OPC (S/N E0047261-UP)  
ENGINE PULLEY & BELTS

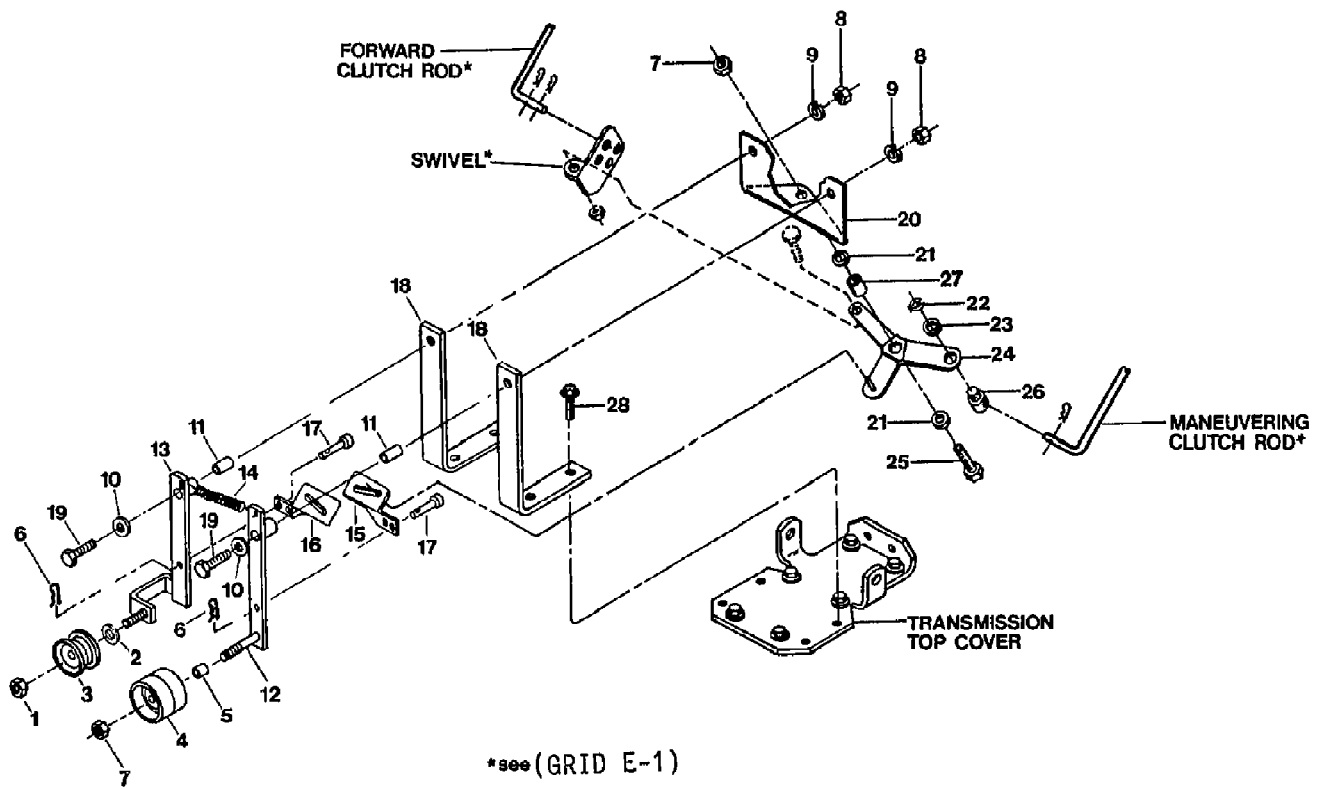


15010 ECONO-HORSE(6HP) OPC (S/N E0047261-UP)  
ENGINE PULLEY & BELTS

Page 4 of 18

Ref #	Part Number	Qty	S/P/F	Description
1	20754	0		BRKT-ENG LT P4
2	20755	0	S	BRKT-ENG RT PNT
3	20673	0	S	PAN-ENG BRKT PNT
4	90044	0		SCR-HFLK 5/16-18X.75 ZP
5	9912	0		WASHER-LK .312 ZP
6	1100044	0	S	SCR-HHC 5/16-18X.75 GR 5 ZP
7	9801	0		NUT-HEX 5/16-18 ZP
8	1900396	0	/P	SCR-HW M10-32X.5 THRD ROLL
9	0	0		ENGINE, TECUMSEH, 6HP RECOIL START, MODEL H60, TYPE 75505N SOLID STATE ELEC. IGN.
9	0	0		ENGINE, TECUMSEH, 6HP RECOIL START, MODEL H60, TYPE 75506N SOLID STATE ELEC. IGN.
9	0	0	F	ENGINE, TECUMSEH, 6HP RECOIL START, MODEL H60, TYPE 75543T SOLID STATE ELEC. IGN.
10	9022	0		BELT-V REV DR ECONO (SEE V-BELT BELOW)
11	2477	0		PULLEY-REV MACH
12	9561	0	S	SCR-SS 1/4-20 X .25 (SECURES REVERSE ENGINE PULLEY)
13	9361	0	S	KEY-WOODRUFF #5
14	1909404	0	/P	BELT-V GROOVE FWD SMFRAME
15	2476	0		PULLEY-ENGINE MACH
16	9549	0		SCR-HH 3/8-24X1.0 G5 ZP
17	9925	0		WASHER-.994X.413X.145
18	9301	0	S	KEY-.188 SQX1.0
19	50141	0		SPACER-.937X.755X.938
20	1138-2	0	S	SHIM-1.0X.7656X.031
21	20555	0		GUIDE-BELT FWD
22	9573	0	S	SCR-HWH 1/4-20 X .75 STH
23	9900	0		WASHER-FLAT 1/4 SAE
24	2702	0		COVER-BELT W/DECALS (INCL. 28 & 30)
25	1186391	0	S	NUT-HFLK 5/16-18 ZP
26	20654	0		GUIDE-BELT REV PNT
27	9552	0	S	SCR-HWH 1/4-20 X .5 STH
28	2730	0		DECAL-BELT POSITION
	11019	0		KIT-BELT ECONO (INCL. 10 & 14)
29	1900766	0		DECAL-STARTING STABIL
30	20818	0	S	DECAL-BELT COVER OPC

15010 ECONO-HORSE(6HP) OPC (S/N E0047261-UP)  
FORWARD/REVERSE IDLER ASSEMBLY

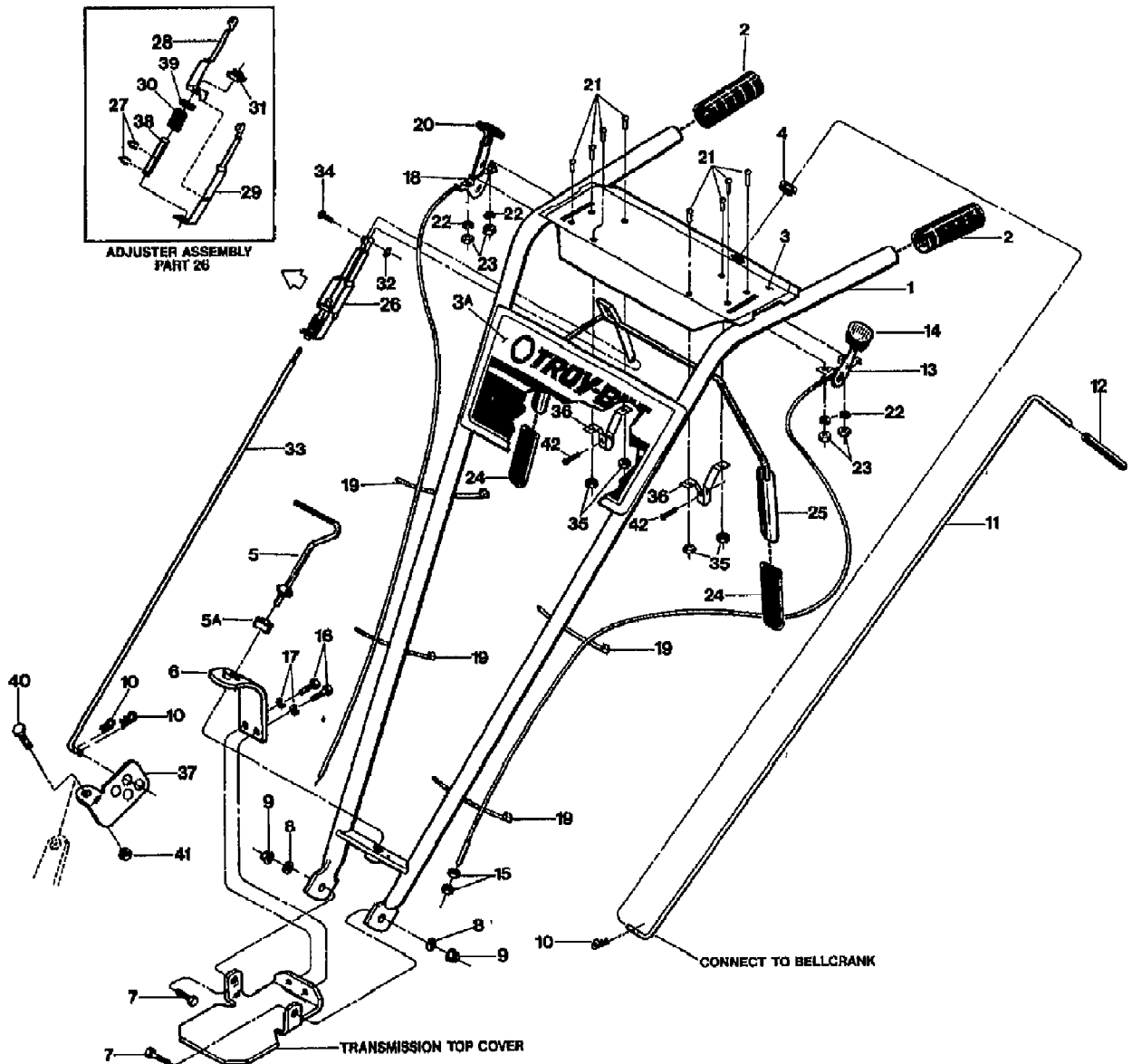


15010 ECONO-HORSE(6HP) OPC (S/N E0047261-UP)  
FORWARD/REVERSE IDLER ASSEMBLY

Page 6 of 18

Ref #	Part Number	Qty	S/P/F	Description
1	9837	0	S	NUT-LOCK 3/8-16 NYLON ZP
2	20513	0		BUSHING-.54X.38X.08
3	9460	0	F	IDLER-REV
3	1909266	0	S/F	PULLEY-IDLER REVERSE
4	9193	0		PULLEY-FWD IDLER
5	1113-1	0	S	BUSHING-.5X.375X.3
6	9338	0	S	PIN-CLIP .08
7	9807	0		NUT-H/LK 3/8-16
8	9801	0		NUT-HEX 5/16-18 ZP
9	9912	0		WASHER-LK .312 ZP
10	20545	0	S	WASHER-#.75X.32X.09 ZP
11	9479	0	S	BUSHING-.438X.323X.712
12	20899	0	S	ARM-IDLER FWD PNT
13	20760	0	F	IDLER-REV
13	1909264010	0	S/F	IDLER-REV
13	1909682010	0	F	ARM-IDLER REV RED
14	1492	0	S	SPRING-.436 X 3.25
15	20517-01	0		LINK-FWD
16	20517-02	0		LINK-REV
17	9340	0		PIN-CLEVIS .375X.719 ZP
18	20751	0		MOUNT BAR-PNT (20691)
19	9966	0		SCR-HH 5/16-18X2.25 G5ZP
20	20842	0	S	SHIFT BASE-OPC PNT
21	20553	0	S	SPACER-.88X.385X.09 ZP
22	9532	0	S	RING-KLIP .500 ZINC
23	20546	0	S	WASHER-#.88X.51X.063 ZP
24	20838	0	S	BELLCRANK-OPC PNT
25	9712	0		SCR-HH 3/8-16X1.25
26	20506	0		PIVOT-ROD
27	20532	0	S	BUSHING-.5X.38X.4
28	90045	0		SCR-HFLK 5/16-18X1.00 ZP
?29	1110043	0	S	SCR-HH 3/8-16X1.25

15010 ECONO-HORSE(6HP) OPC (S/N E0047261-UP)  
HANDLE BARS & CONTROL LEVERS



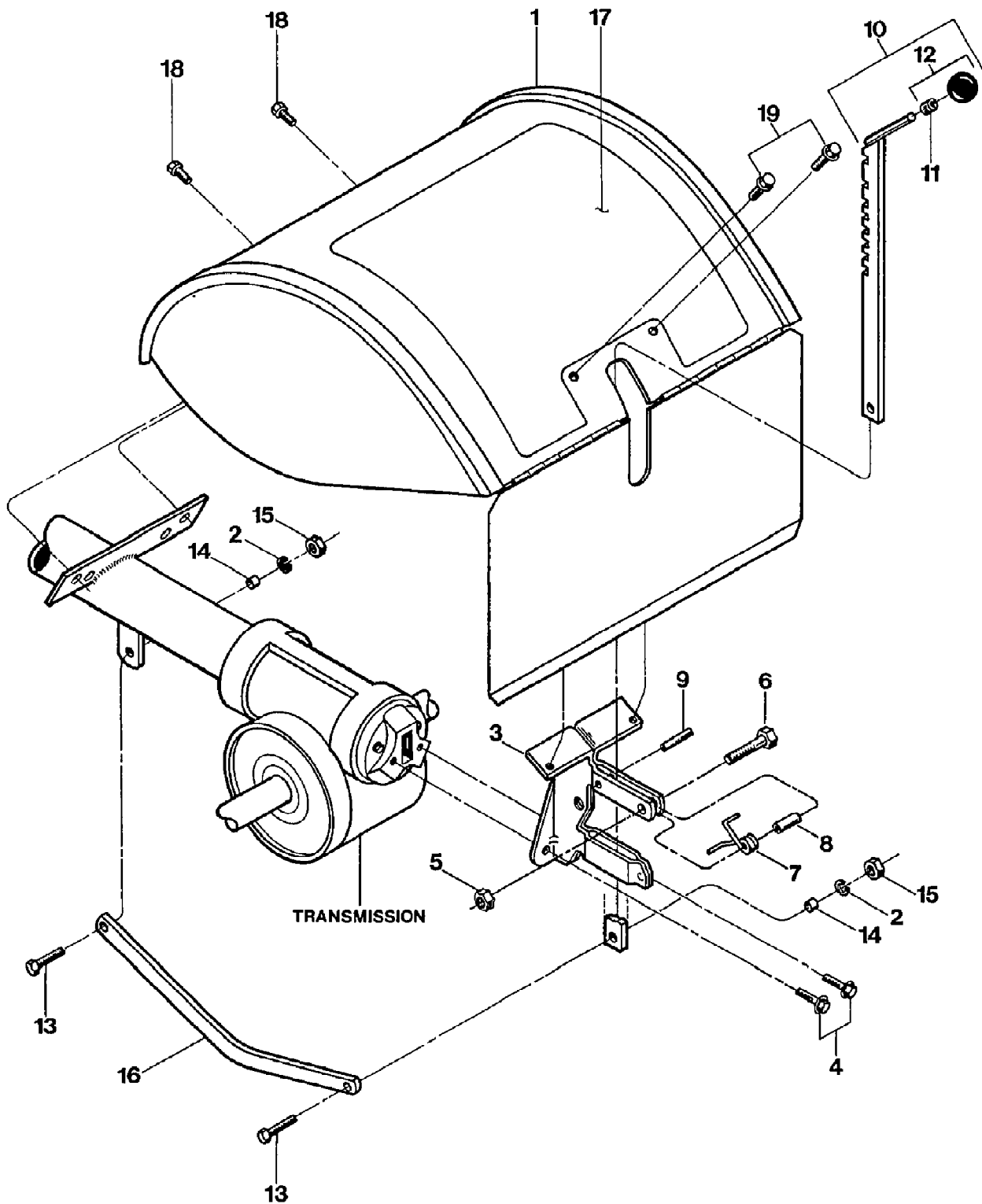
15010 ECONO-HORSE(6HP) OPC (S/N E0047261-UP)  
HANDLE BARS & CONTROL LEVERS

Page 8 of 18

Ref #	Part Number	Qty	S/P/F	Description
1	2726	0		ASSM-HANDLEBAR W/GRIPS (INCL. 2,3,3A,4)
2	9125	0	S	GRIP-H/BAR SMOOTH
3	1900357	0	S	DECAL-CONTROL PANEL
3A	2723	0		DECAL-Graphics PANEL ECONO
4	9251	0		BUSHING-NYLON
5	20703	0		ASSM-STUD H/B
5A	9955	0	S	WASHER-1.0X.38X.375
6	1900475010	0	/P	PLATE-HANDLEBAR ADJUST
7	9711	0		SCR-HH 3/8-16X1.0 G5 ZP
8	9904	0	S	WASHER-FLAT 3/8 SAE
9	9837	0	S	NUT-LOCK 3/8-16 NYLON ZP
10	9338	0	S	PIN-CLIP .08
11	20830	0		ROD-REV W/GRIP OPC (INCL. #12)
12	9198	0		GRIP-CONTROL ROD
13	9442	0	S	CABLE-WHEEL CLUTCH OPC (INCL. 14,15,19,21-23)
14	9057	0	S	KNOB-WHEEL DRIVE CABLE
15	9826	0		NUT-HEX 5/16-24
16	1100068	0	S	SCR-HH 3/8-16X.75 G5 ZP
17	9913	0		WASHER-LK .375 @ DEPL
18	9445	0		CABLE-THROTTLE ECONO OPC (INCL. 20)
19	9202	0	S	TIE-RED
20	9212	0	S	KNOB-THROTTLE CABLE
21	9722	0		SCR-RH M10-32X.5 MACH
22	9909	0		WASHER-LK M10
23	9809	0		NUT-HH M10-32X.125
24	9390	0	S	GRIP-PADDLE SM FRAME OPC
25	20863	0	S	BAIL W/GRIPS OPC (INCL. TWO #24)
26	20862	0	S	ASSM-ADJUSTMENT OPC (INCL. 27-30,38-39)
27	9532	0	S	RING-KLIP .500 ZINC
28	20808	0	S	ADJUSTER-RT SIDE OPC
29	20809	0	S	ADJUSTER-LT SIDE OPC
30	9059	0	S	SPRING-ADJUSTER OPC
31	9522	0		WELDNUT 5/16-18
32	9386	0		RING-KLIP .188 DIA
33	20831	0	S	ROD-CONTROL OPC
34	97083	0		ASSM-PIN & CLIP (SMALL FRAME)
35	9853	0	S	NUT W/LKWASHER #10-32 ZP
36	20806	0	S	BRACKET-BAIL OPC
37	20888	0	S	SWIVEL-SMALL FRAME
38	9432	0		BUSHING-.5X.334X2.88
39	9973	0		WASHER-.75X.51X.06 ZP
40	90070	0		SCR-HH 1/4-20X.75 G5 ZP
41	9811	0		NUT-LK 1/4-20
42	9552	0	S	SCR-HWH 1/4-20 X .5 STH



15010 ECONO-HORSE(6HP) OPC (S/N E0047261-UP)  
HOOD & DEPTH

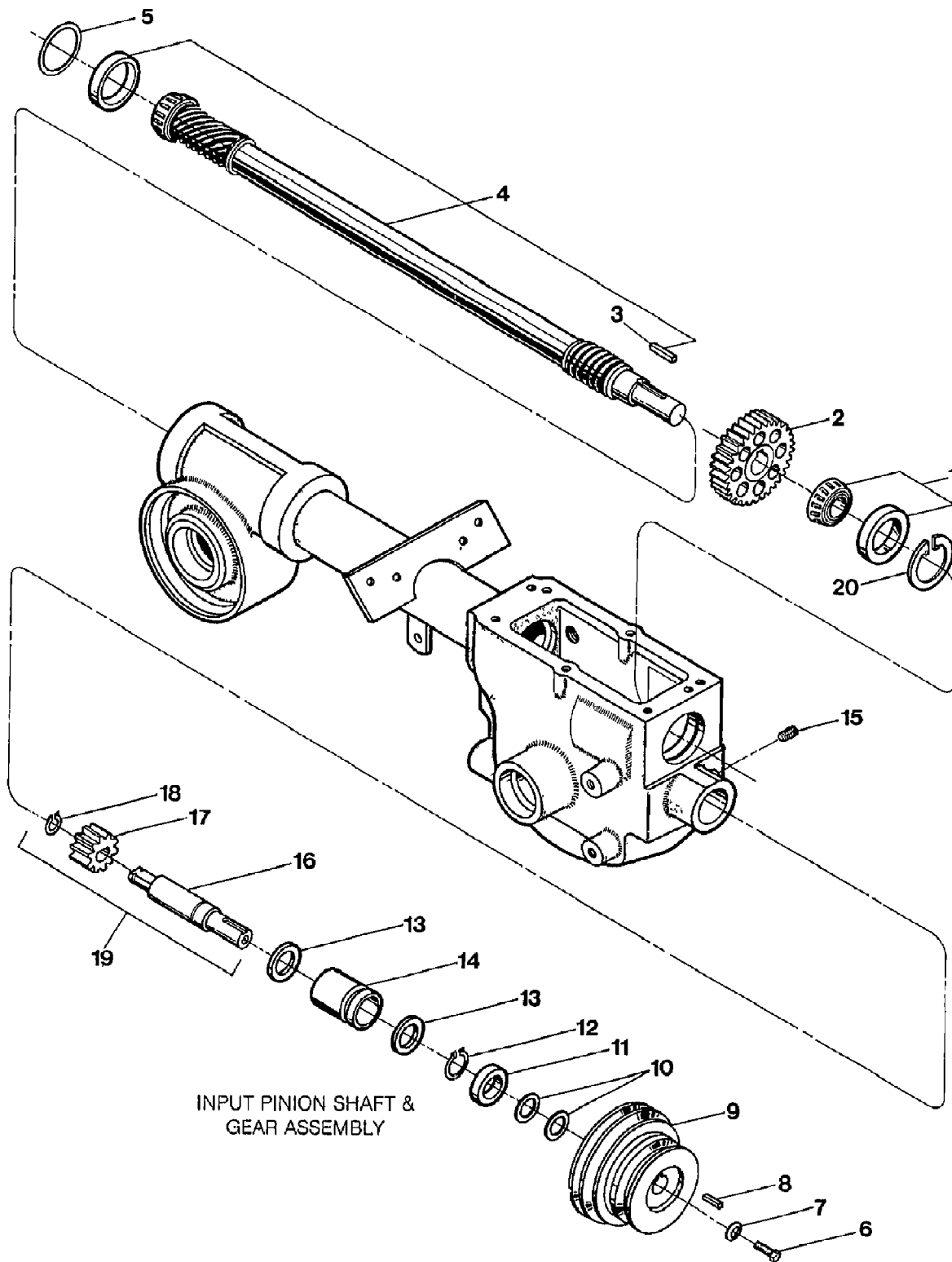


15010 ECONO-HORSE(6HP) OPC (S/N E0047261-UP)  
HOOD & DEPTH

Page 10 of 18

Ref #	Part Number	Qty	S/P/F	Description
1	2621	0		HOOD W/DECAL ECONO OPC (INCL. #17)
2	9913	0		WASHER-LK .375 @ DEPL
3	2527	0	S	BRKT W/ROLL PIN (9308)(INCL. #9)
4	90038	0		SCR-HFLK 5/16-18X.62 G5ZP
5	9811	0		NUT-LK 1/4-20
6	1100069	0	S	SCR-HH 1/4-20X1.0
7	9384	0	S	SPRING-TORSION
8	9534	0	S	SPACER-.250X.343X.375
9	9308	0	S	PIN-ROLL .25 X 1
10	1117A	0	S	DEPTH REGULATOR W/KNOB (INCL. #11 & 12)
11	9120	0	S	RING-TOLERANCE .5325 ID
12	9119	0	S	KNOB-CONTROL (INCL. #11)
13	1100043	0	S	SCR-HH 3/8-16X1.25
14	1113-1	0	S	BUSHING-.5X.375X.3
15	9802	0		NUT-HEX 3/8-16 ZP
16	20775	0	S	DRAG BAR-BENT
17	2718	0		DECAL-HOOD OPER INST
18	9553	0	S	SCR-HWH 5/16-18 X .5 STH
19	9552	0	S	SCR-HWH 1/4-20 X .5 STH

15010 ECONO-HORSE(6HP) OPC (S/N E0047261-UP)  
MAIN DRIVE SHAFT & GEAR ASSEMBLY

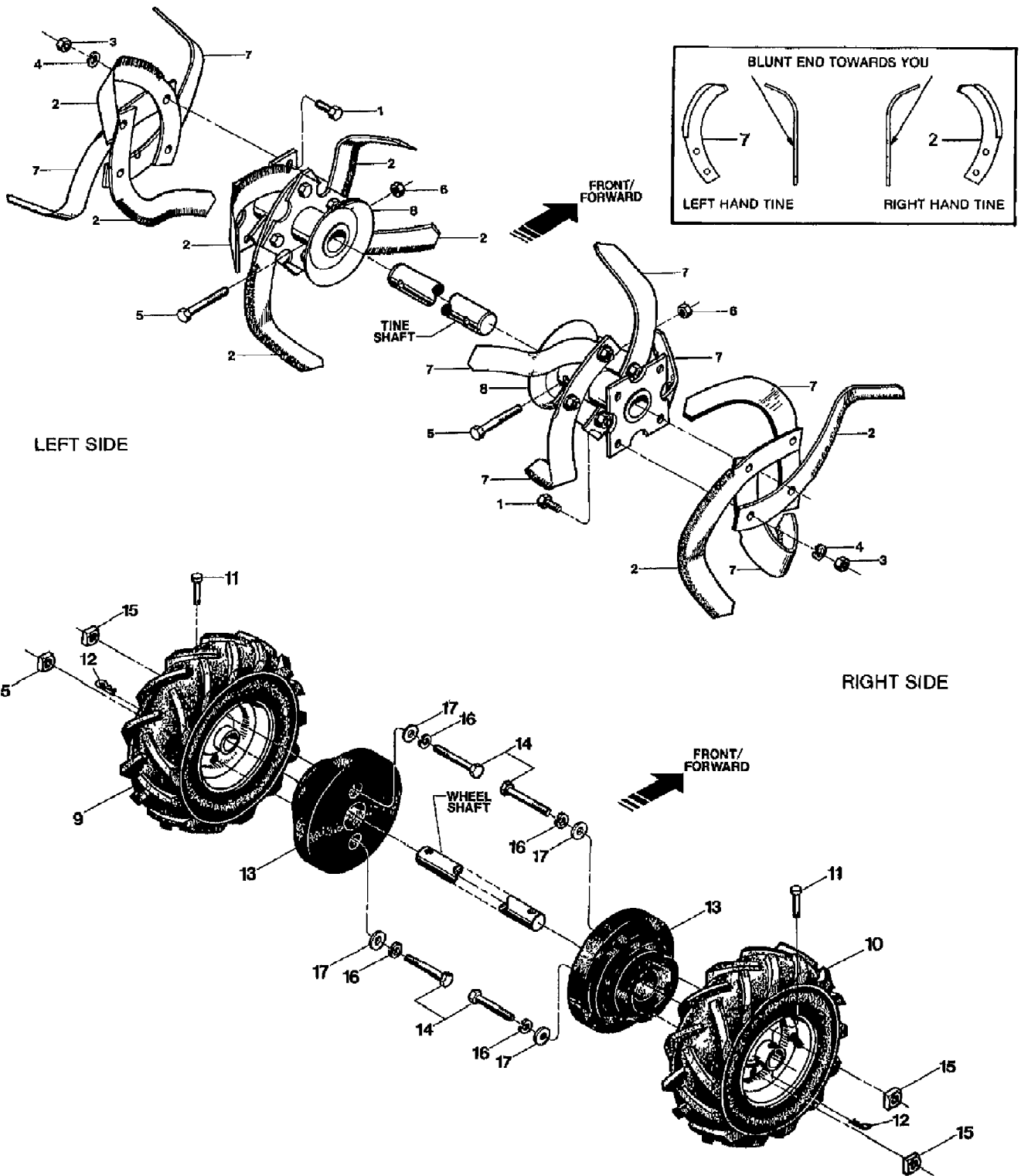


15010 ECONO-HORSE(6HP) OPC (S/N E0047261-UP)  
MAIN DRIVE SHAFT & GEAR ASSEMBLY

Page 12 of 18

Ref #	Part Number	Qty	S/P/F	Description
1	1714	0	S	KIT-BRG CONE&RACE-DRIVESHAFT (FRONT OF DRIVE SHAFT)
2	20718	0	S	GEAR-SPUR 30 TEETH
3	9301	0	S	KEY-.188 SQX1.0
4	11603	0	F	KIT-DRIVESHAFT SMFR
4	10360	0	F	KIT-DRIVESHAFT
5	1224-1	0	S/F	SHIM-1.75X1.5X.01
5	1224-2	0	S/F	SHIM-1.75X1.5X.03
5	1224-3	0	S/F	SHIM-1.75X1.5X.005
	1325C	0	S/F	SHIM SET-DRIVESHAFT-HORSE
6	9655	0	S	SCR-HH 5/16-24X.75 G5 ZP
7	9944	0	S/F	WASHER-.827X.331X.098
8	9301	0	S	KEY-.188 SQX1.0
9	20507	0		PULLEY-TRANS MACH, 3 GROOVES (TWO FOR FORWARD SPEEDS; ONE FOR REVERSE SPEEDS)
10	1440	0	S	WASHER # .875 X .65 X .06
11	85030	0		SEAL-PINION SHAFT PT/85030/00
12	9500	0	S	RING-RETAIN EXT .707 ID (SNAP-IN)
13	9953	0	S	WASHER-1.022X.752X .059
14	9428	0	S	BUSHING-1.24X.75X1.8 GRVD
15	9677	0	S	SCR-SS 5/16-18X.375
16	20791	0	S	SHAFT-PINION(P-V)
17	20792	0	S	GEAR-PINION P/M
18	9093	0	S	RING-BOWED EXT .461 ID
19	20799	0	S	PINION W/GEAR&SNAP RING (INCL. ONE EACH OF 16-18)
20	9517	0	S	RING-RETAINING 5000-181
	1360A	0		OIL GEAR LUBE 2 QT 140WT
	1901964	0		OIL GEAR LUBE 1 QT 140WT

15010 ECONO-HORSE(6HP) OPC (S/N E0047261-UP)  
TINES & WHEELS

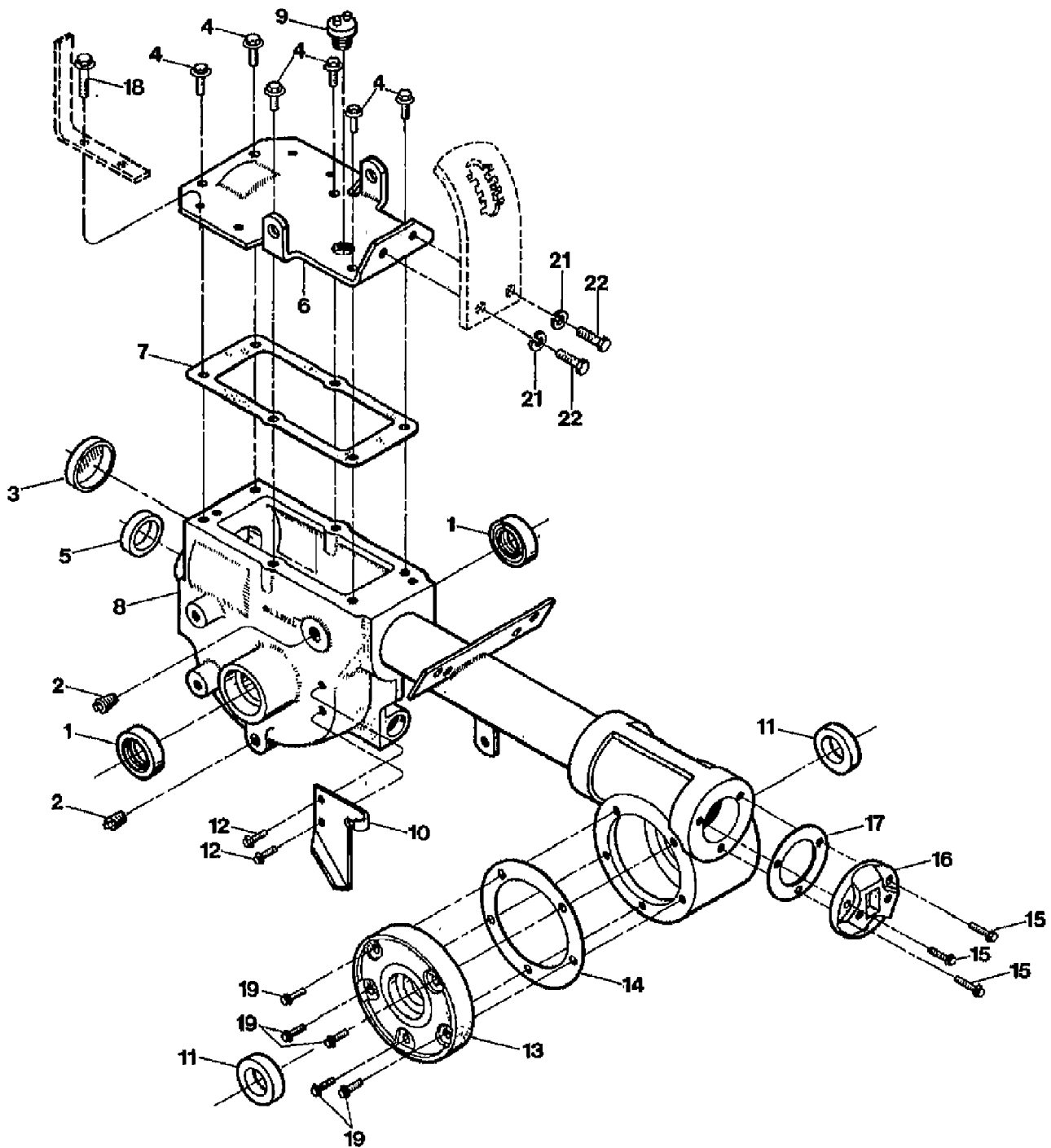


15010 ECONO-HORSE(6HP) OPC (S/N E0047261-UP)  
TINES & WHEELS

Page 14 of 18

Ref #	Part Number	Qty	S/P/F	Description
1	9711	0		SCR-HH 3/8-16X1.0 G5 ZP
1	1100043	0	S	SCR-HH 3/8-16X1-1/4" G5 ZP (1501004 & UP)
2	1270-2A	0	S/F	TINE-BOLO RT W/HDW
3	1733398	0	S	NUT-LOCK 3/8-16
4	9913	0		WASHER-LK .375 @ DEPL
5	9761	0		SCR-HH 3/8-16X2.00 G8
6	9807	0		NUT-H/LK 3/8-16
7	1270-1A	0	S/F	TINE-BOLO LT W/HDW
8	2479	0		WELD-TINE HOLDER ECONO (USE W/1.00" O.D. TINESHAFTS)
8	1902153010	0	/P	HOLDER-TINE ECONO RED (USE W/15/16" O.D. TINESHAFT)
	1348	0	F	TINES-BOLO HORSE/PONY/ECONO
	10802	0	S/F	TINES-CUSTOM TILLING
	2475-1	0	S/F	TINE-HARD FACED LT
	2475-2	0	S/F	TINE-HARD FACED RT
	9807	0	F	NUT-H/LK 3/8-16 (USED IN PLACE OF ITEM #3 & #4 WHEN USING CUSTOM TILLING TINE KIT.)
9	2706-01	0	S	ASSM-TIRE&WHEEL LH GRAY (15-20 LBS AIR REQ'D)
10	2706-02	0	S	ASSM-TIRE&WHEEL RH GRAY (15-20 LBS AIR REQ'D)
11	9380	0	S	PIN-CLEVIS
12	9338	0	S	PIN-CLIP .08
13	2731	0		WEIGHT-WHEEL
14	9554	0		SCR-HH 3/8-16X3.0 G5 ZP
15	9849	0		NUT-SQ 3/8-16
16	9913	0		WASHER-LK .375 @ DEPL
17	9904	0	S	WASHER-FLAT 3/8 SAE
	2482	0		TIRE-13X5.00X6 ECONO (TIRE ONLY)
	2705	0		RIM-WHEEL 6" GRAY (WHEEL RIM ONLY)

15010 ECONO-HORSE(6HP) OPC (S/N E0047261-UP)  
TRANS. HSG. & SEALS/GASKETS



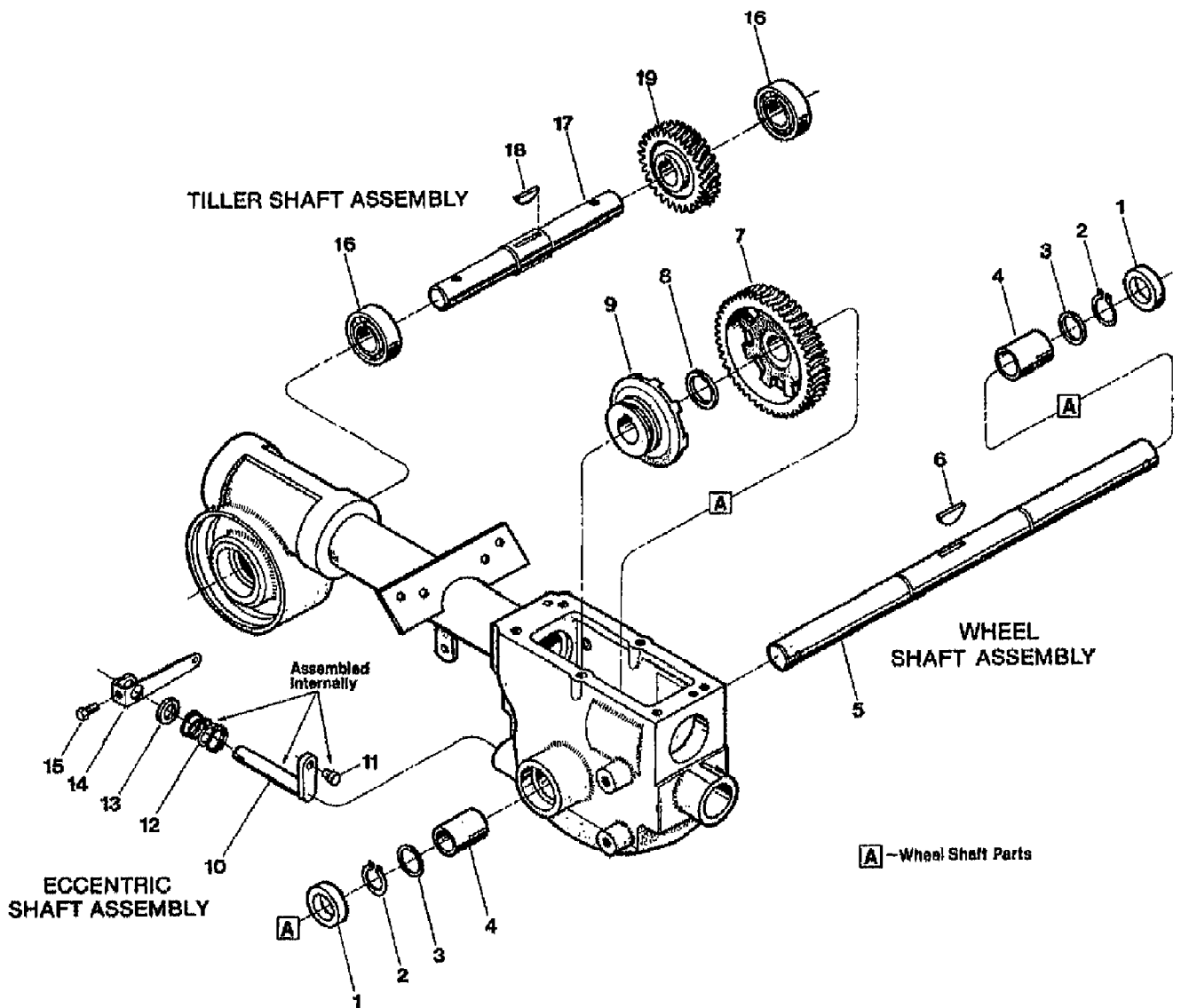
15010 ECONO-HORSE(6HP) OPC (S/N E0047261-UP)  
TRANS. HSG. & SEALS/GASKETS

Page 16 of 18

Ref #	Part Number	Qty	S/P/F	Description
1	9621	0	S	SEAL-OIL WHEELSHAFT
2	9726	0	S	PLUG-PIPE 1/4 NPT
3	97076	0	S	SEAL-BORE
4	90044	0		SCR-HFLK 5/16-18X.75 ZP
5	85030	0		SEAL-PINION SHAFT PT/85030/00
6	11513	0		KIT-COVER TRANS W/HDW - (INCL. FOUR 18 & TWO 21, 22)
7	20694	0	S	GASKET-TRANS COVER
8	20893	0	S	ASSM-TRANS A-UNIT P/ECHO
9	9467	0	S	PLUG-OIL FILL 3/4-10
10	20889	0		PLATE-CABLE MT PNT
11	97073	0	S	SEAL-TILLER SHAFT
12	90038	0		SCR-HFLK 5/16-18X.62 G5ZP
13	20873	0	S	COVER-TILLER HSG MACH
14	1129-1	0	S	GASKET-TILLER COVER (FITS ALL COVERS)
15	9773	0		SCR-HFLK 1/4-20X.875
16	1115	0		CAP-REAR #1115
17	1124-2	0	S	GASKET-BRG COVER
18	90045	0		SCR-HFLK 5/16-18X1.00 ZP
19	1908211	0	S	SCR-HXSKT 1/4-20X.625
21	9913	0		WASHER-LK .375 @ DEPL
22	1100068	0	S	SCR-HH 3/8-16X.75 G5 ZP
	1360A	0		OIL GEAR LUBE 2 QT 140WT
	1901964	0		OIL GEAR LUBE 1 QT 140WT



15010 ECONO-HORSE(6HP) OPC (S/N E0047261-UP)  
WHEEL & TILLER SHAFT ASSEMBLY



15010 ECONO-HORSE(6HP) OPC (S/N E0047261-UP)  
WHEEL & TILLER SHAFT ASSEMBLY

Page 18 of 18

Ref #	Part Number	Qty	S/P/F	Description
1	9621	0	S	SEAL-OIL WHEELSHAFT
2	9511	0	S	RING-HEAVY EXT .906 ID
3	1166-1	0	S	SHIM-1.375X1.015X.062
	1166-2	0	S	SHIM-1.375X1.015X.030"
	1166-3	0	S	SHIM-1.375X1.015X.015"
	1166-4	0	S	SHIM-1.375X1.015X.010"
4	1086	0	S	BUSHING-1.25X1.005X1.5
5	2494	0	S	WHEELSHAFT W/KEY (AXLE) - (INCL. 6)
6	9373	0	S	KEY-HI PRO .25X1.312
7	20914	0	S	GEAR-WHEEL DRIVE MACH
8	9935	0	S	WASHER-1.468X1.016X.062
9	20712	0	S	CLUTCH-MACH
10	20879	0	S	WELD-ECCENTRIC
11	1442	0	S	PIN-.375 X .72
12	9055	0	S	SPRING-.850 X .875 LONG
13	9622	0	S	SEAL-OIL ECCENTRIC
14	20757	0		LEVER-CABLE ADJ PNT
15	9743	0		SCR-HH 1/4-20X.5 GR5 YEL
16	97074	0	S	BEARING-BALL
17	20896	0	S	SHAFT-W/KEY (TILLER)
18	1104	0	S	KEY-WOODRUFF .25X1.12
19	20913	0	S/F	WORM GEAR - BRONZE, TILLER DRIVE
19	20776	0	F	WORM GEAR - BRONZE
	1360A	0		OIL GEAR LUBE 2 QT 140WT
	1901964	0		OIL GEAR LUBE 1 QT 140WT