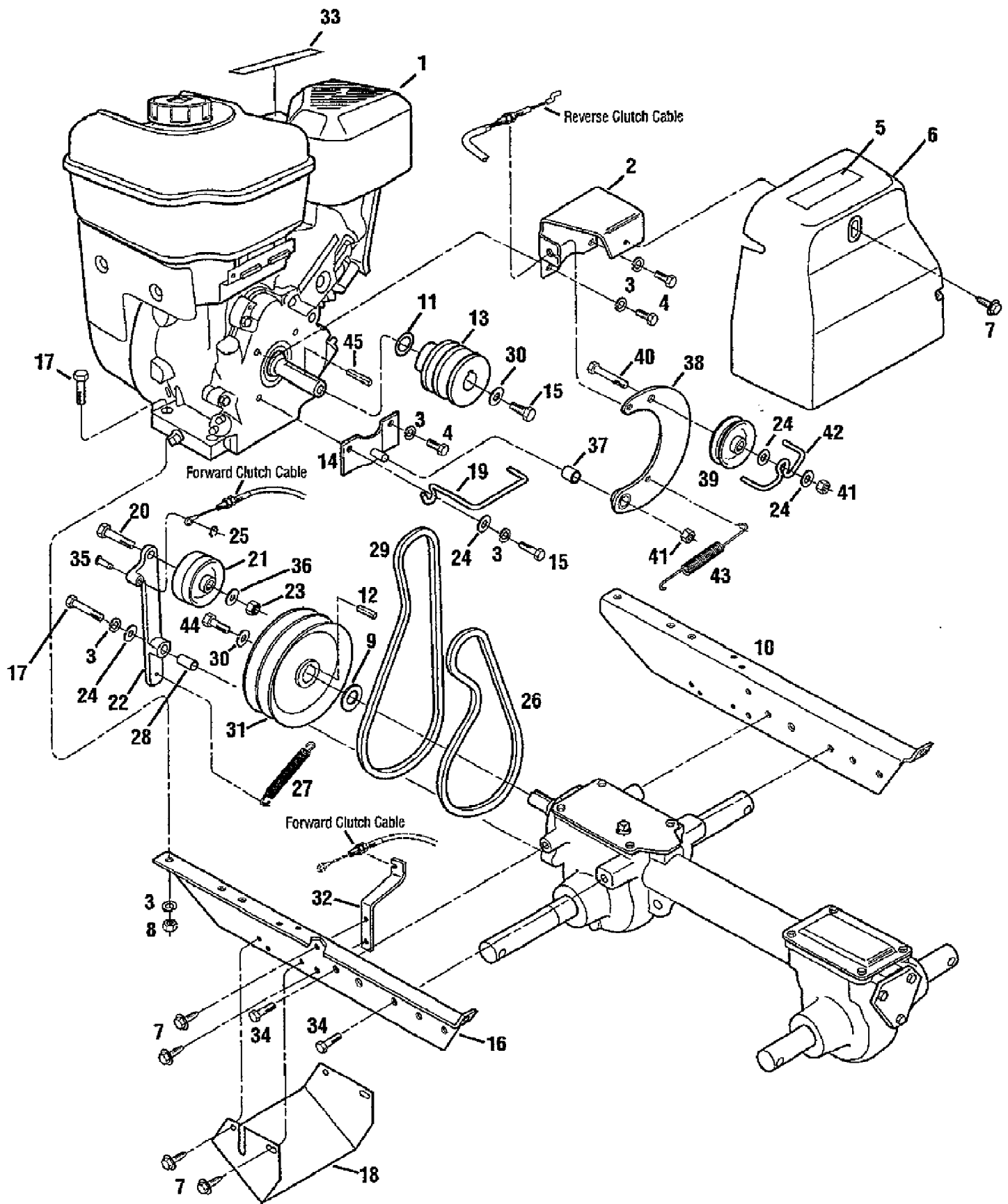


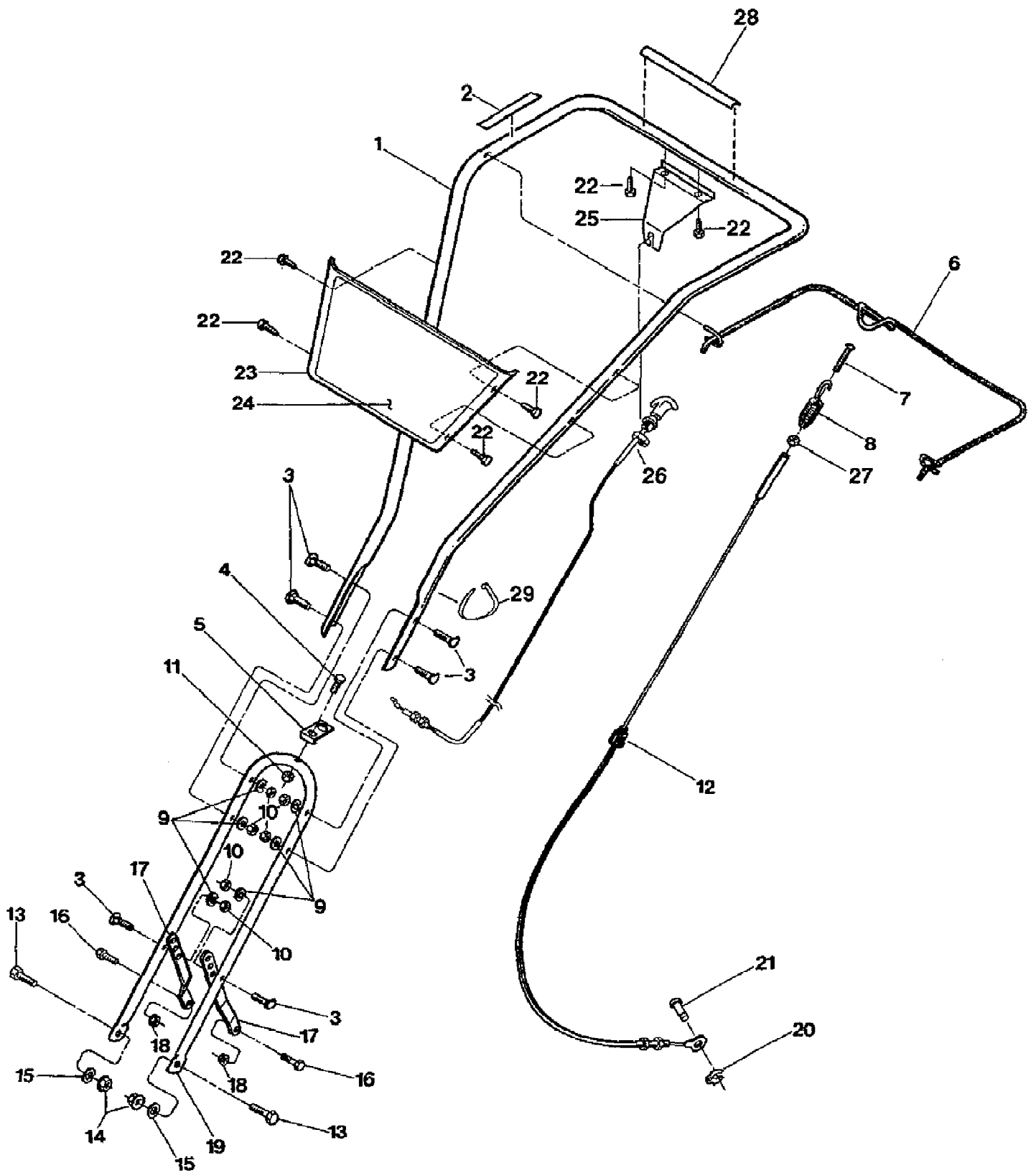
12193 Econo-Horse 6.5HP OPC  
Drive Shaft Assembly

Page 2 of 17

Ref #	Part Number	Qty	S/P/F	Description
1	1100005	1		Screw, Hex Hd., 5/16-24 x 1, Grade 5
2	9944	1	S	Belleville Washer
3	1916532	1	S	Transmission Pulley, Double Groove
4	9301	1	S	Key, 3/16 x
5	50027	1	S	Support Washer, Front
6	9517	1	S	Snap Ring
7	1714	2	S	Bearing, Tapered Roller (with race)
8	50043	1	S	Support Washer, Rear
9	1916936	1	/P	Drive Shaft assembly
10	1224-1	A/R	S	Shim, Rear Bearing Cap, .010" thick
	1224-2	A/R	S	Shim, same as above, except .030" thick
	1224-3	A/R	S	Shim, same as above, except .005" thick
	1224-4	A/R	S	Shim, Same as above except .062" thick
	1325C	A/R	S	Shim Set (Incl. the following shims: two #1224-1, two #1224-2, one #1224-3 and one #1224-4)



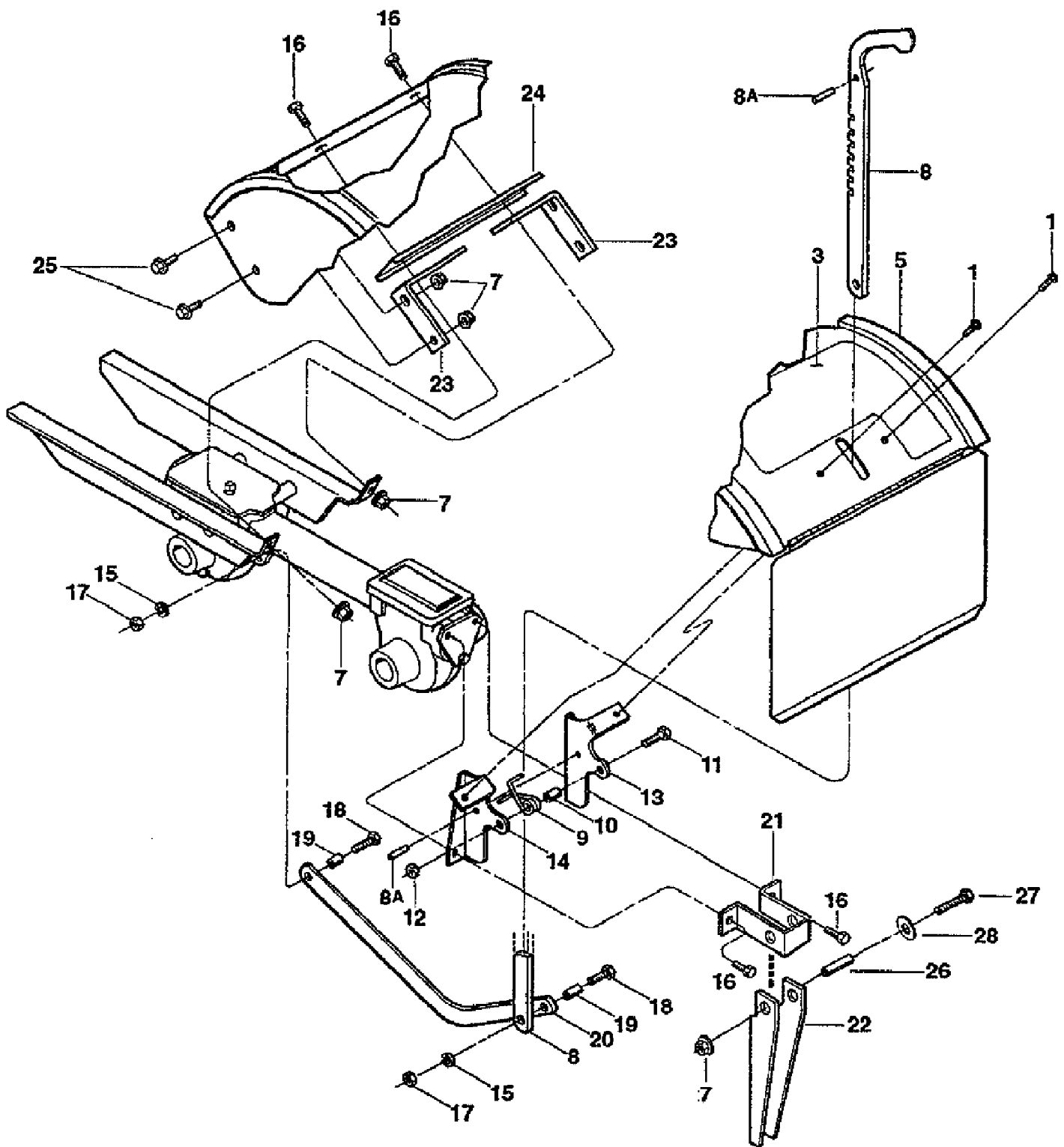
Ref #	Part Number	Qty	S/P/F	Description
1		1		Engine -5.5HP or 6.5HP Recoil Start. Contact your local authorized engine service dealer for engine parts and service. Refer to your engine nameplate for engine model/type.
2	1916537001	1	S	Bracket, Belt Cover
3	1100242	9	S	Lockwasher, 5/16
4	1111696	3		Hex Hd. Screw, 5/16-24 x 1/2
5	1904557	1		Decal, Warning - Hot Surfaces
6	1917128	1	/P	Belt Cover (Incl. Ref. 5)
7	9552	7	S	Flange Screw, Self-Tapping, 1/4-20 x 1/2
8	1186230	4	S	Hex Nut, 5/16-18
9	50027	1	S	Support Washer
10	1916795001	1	/P	Engine Bracket, Right
11	1138-2	A/R	S	Shim
12	9301	1	S	Key, 3/16 x 1
13	1916531	1	S	Engine Drive Pulley
14	1916559001	1		Bracket, Reverse Idler
15	1100005	3		Hex Hd. Screw, 5/16-24 x 1
16	1916794001	1	S	Engine Bracket, Left
17	1100799	5	S	Hex Hd. Screw, 5/16-18 x 1-1/2
18	1916652001	1	S	Guard, Belts/Pulleys
19	1916726	1	/P	Belt Guide, Forward
20	9558	1		Hex Hd. Screw, 3/8-16 x 1-1/2
21	9090	1	S	Forward Idler Pulley
22	1916116001	1	/P	Forward Idler Lever
23	1110108	1	S	Lock Nut, 3/8-16
24	1107382	2	/P	Flat Washer
25	9386	1		Klip Ring
26	1916657	1	/P	Forward Drive Belt
27	55034	1	S	Spring, Forward Return
28	55033	1		Bushing, Forward Idler Lever
29	1916658	1	/P	Reverse Drive Belt
30	9944	1	S	Belleville Washer
31	1916532	1	S	Transmission Pulley
32	1916117001	1	/P	Bracket, Cable Mounting
33	1900766	1		Decal, Stabilization
34	1186328	4	S	Hex Hd. Screw, 5/16-18 x 5/8
35	9856	1	S	Clevis Pin
36	1107383	1	S	Flat Washer, 3/8
37	1916536	1		Bushing
38	1916578001	1		Reverse Idler Arm
39	1916535	1	/P	Reverse Idler Pulley
40	1111606	1		Hex Hd. Screw, 5-16-18 x 2
41	1110107	2	S	Lock Nut, 5-16-18
42	1916725	1	S	Belt Guide
43	1916724	1	/P	Spring, Reverse Return
44	9572	1	S	Hex Hd. Screw, 5/16-18 x 1-1/8
45	1108841	1	S	Key, 3/16 x 1-1/2



## Handlebars, Clutch Cables And Handlebar Mounting Hardware

Ref #	Part Number	Qty	S/P/F	Description
1	1916996	1	S	Upper Handlebar (Incl. Refs. 2 & 28)
2	1916928	1		Decal, Forward Clutch Bail
3	9854	6	S	Curved Hd. Screw, 5/16-18 x 1-1/2
4	1100806	1	S	Hex Hd. Screw, 1/4-20 x 1-1/4
5	55044	1	S	Bracket, Forward Clutch Cable
6	1916106001	1	/P	Bail, Forward Clutch
7	9855	1	S	Screw, #10-24 x 2
8	1916712	1	/P	Spring, Forward Clutch
9	1100242	6	S	Lockwasher, 5/16
10	1186230	6	S	Hex Nut, 5/16-18
11	9811	1		Hex Lock Nut, 1/4-20
12	55048	1	S	Cable Assembly, Forward Clutch
13	1100068	2	S	Hex Hd. Screw, 3/8-16 x 3/4
14	9837	2	S	Hex Lock Nut, 3/8-16
15	1107383	2	S	Flat Washer, 3/8
16	1100044	2	S	Hex Hd. Screw, 5/16-18 x 3/4
17	1902173001	2	S	Handlebar Support
18	1110107	2	S	Hex Lock Nut, 5/16-18
19	1902174001	1	S	Lower handlebar
20	9386	1		Klip Ring
21	9856	1	S	Clevis Pin
22	9552	6	S	Hex Hd. Screw, 1/4-20 x 1/2, Self-Tapping.
23	1901273001	1		Panel
24	1917559	1		Decal, Logo
25	1916674001	1	S	Bracket, Reverse Clutch Cable
26	1916719	1	S	Cable Assembly, Reverse Clutch
27	1186227	1	S	Hex Nut, #10-24
28	1916929	1	S	Decal, Reverse Drive Control
29	1735531	2	S	Cable Tie

12193 Econo-Horse 6.5HP OPC  
Tine Hood, Depth Regulator Lever And Drag Stake



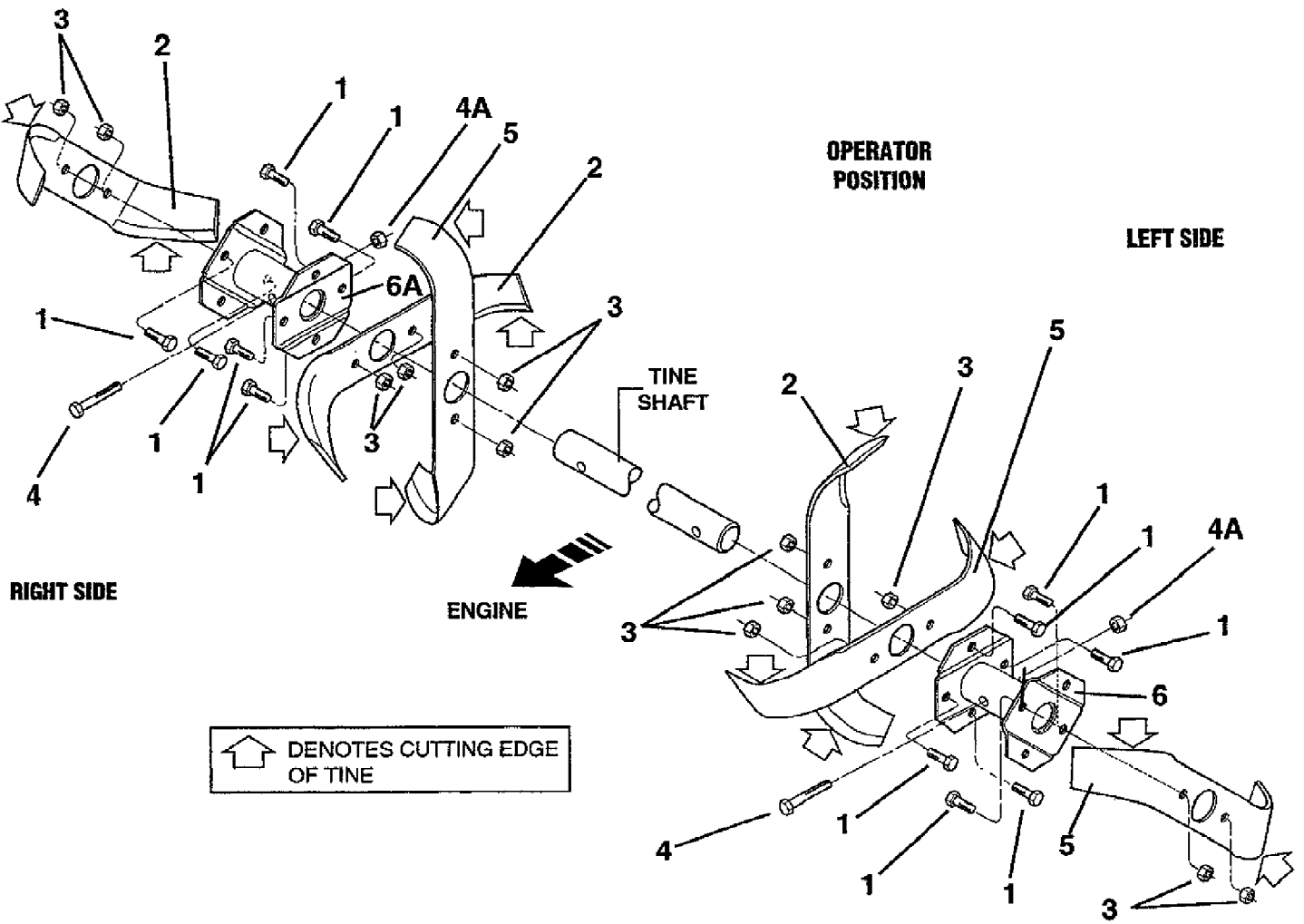
12193 Econo-Horse 6.5HP OPC  
Tine Hood, Depth Regulator Lever And Drag Stake

Page 8 of 17

Ref #	Part Number	Qty	S/P/F	Description
1	9552	2	S	Flange Screw, Self-Tapping, 1/4-20 x 1/2
3	1917536	1	/P	Decal, Hood
5	1917120	1	/P	Tine Hood (Incl. tine flap and Ref. 3)
7	1186391	9	S	Flange Lock Nut, 5/16-18
8	1916118001	1	S	Depth Regulator Lever
8A	9308	2	S	Spiral Pin
9	9384	1	S	Spring, Depth Regulator
10	9534	1	S	Spacer
11	1100069	1	S	Hex Hd. Screw, 1/4-20 x 1
12	9811	1		Hex Lock Nut, 1/4-20
13	1916119001	1	S	Hood Bracket, Right Hand
14	1916120001	1	S	Hood Bracket, Left Hand
15	1100242	2	S	Lockwasher, 5/16
16	1186331	4	S	Flange Hd. Screw, 5/16-18 x 1
17	1186230	2	S	Hex Nut, 5/16-18
18	1100808	2		Hex Hd. Screw, 5/16-18 x 1-1/4
19	55088	2	S	Bushing
20	1916121001	1	S	Drag Bar
21	1916569001	1	S	Bracket, Stop
22	1916570001	1	S	Reverse Arm (Drag Stake)
23	1916708001	2	S	Bracket, Hood Support
24	1916707001	1	/P	Bracket, Support Channel
25	1186328	6	S	Hex Hd. Screw, 5/16-18 x 5/8
26	1916771	1	/P	Spacer
27	1111607	1	S	Hex Hd. Screw, 5/16-18 x 2-1/4
28	1107382	1	/P	Washer, 5/16 I.D.

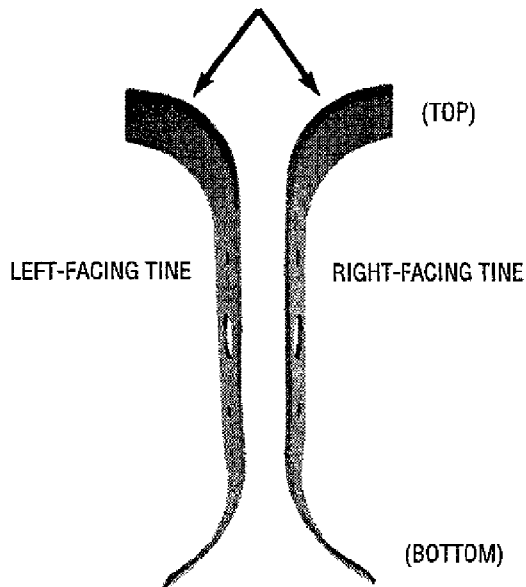


12193 Econo-Horse 6.5HP OPC  
Tines



MOUNT TINES SO THE CUTTING EDGE AT THE TOP OF EACH TINE FACES THE OPERATOR

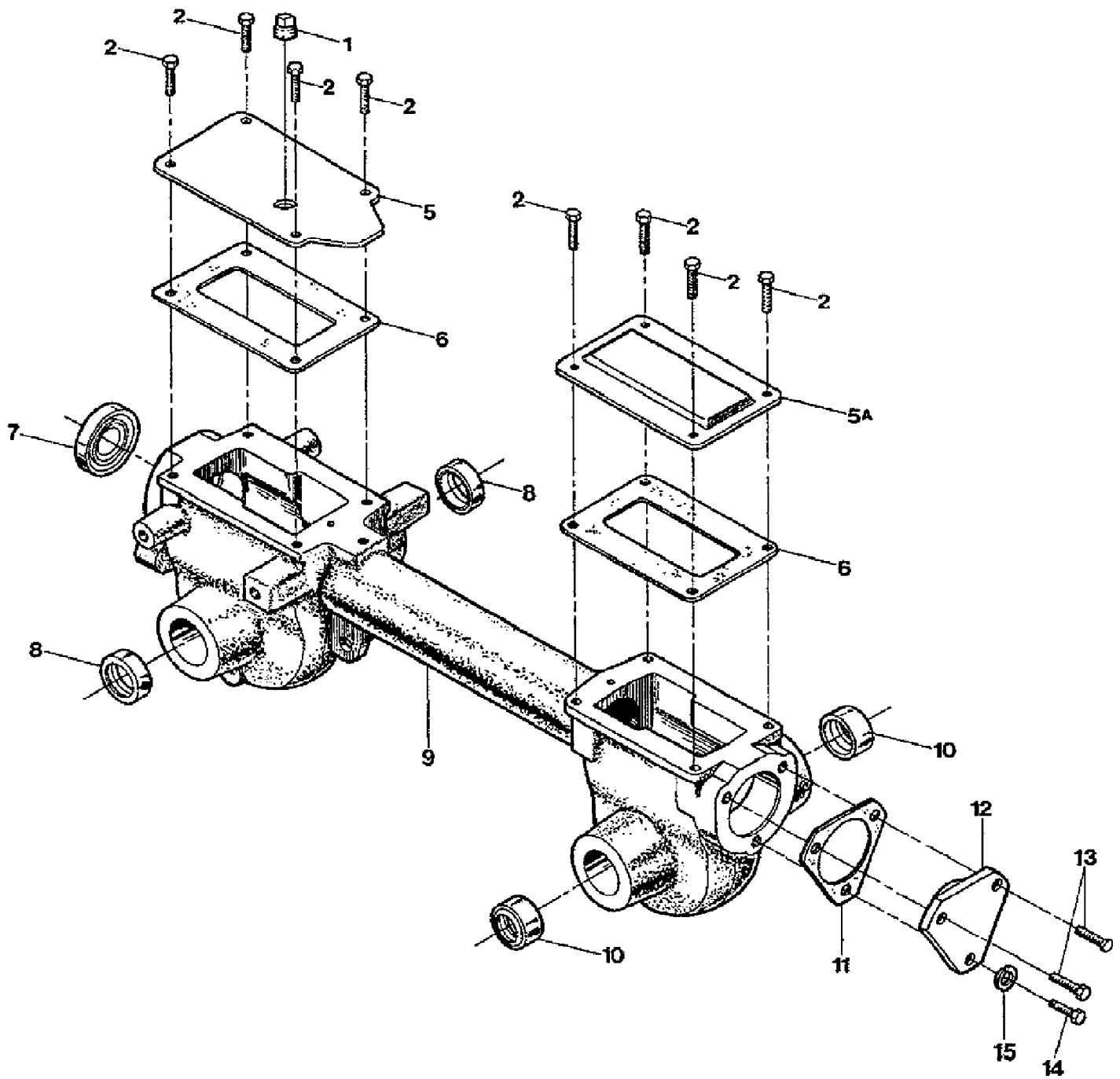
**IMPORTANT:** LEFT AND RIGHT SIDES OF TILLER ARE DETERMINED BY STANDING IN THE OPERATOR POSITION (BEHIND THE HOOD) AND FACING THE DIRECTION OF FORWARD TRAVEL.



12193 Econo-Horse 6.5HP OPC  
Tines

Page 10 of 17

Ref #	Part Number	Qty	S/P/F	Description
1	1100044	12	S	Hex Hd. Screw, 5/16-18 x 3/4, Grade 5
2	1817060	3	S	Tine-Twin-Edged, Left-Facing
3	1732499	12	/P	Hex Lock Nut, 5/16-18
4	1982612	2	S	Hex Hd. Screw, 3/8-16 x 2
	1916783	1	/P	Tine Replacement Set (Incl. three right-facing tines, three left-facing tines; and assembly hardware
4A	1733398	2	S	Hex Lock Nut, 3/8-16
5	1817059	3	S	Tine-Twin-Edged, Right-Facing
6	1916702001	1		Tine Holder- Left Side Model 12214 - 5.5 HP
	1916704001	1		Tine Holder- Left Side Model 12193 - 6.5 HP
6A	1916703001	1		Tine Holder- Right Side Model 12214 - 5.5 HP
	1916705001	1		Tine Holder- Right Side Model 12193 - 6.5 HP

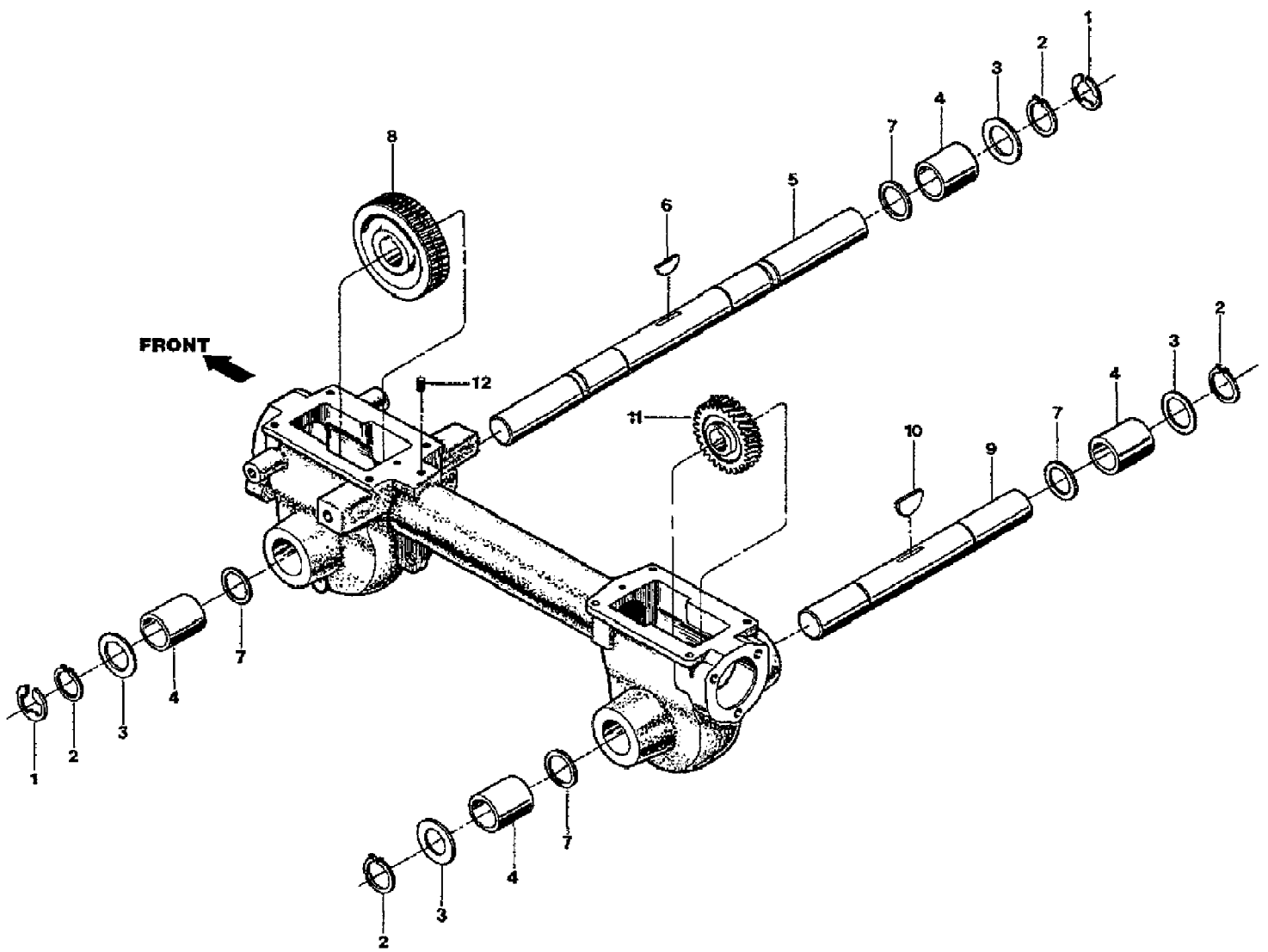


## Transmission Housing, Covers, Seals, Gaskets And Plug

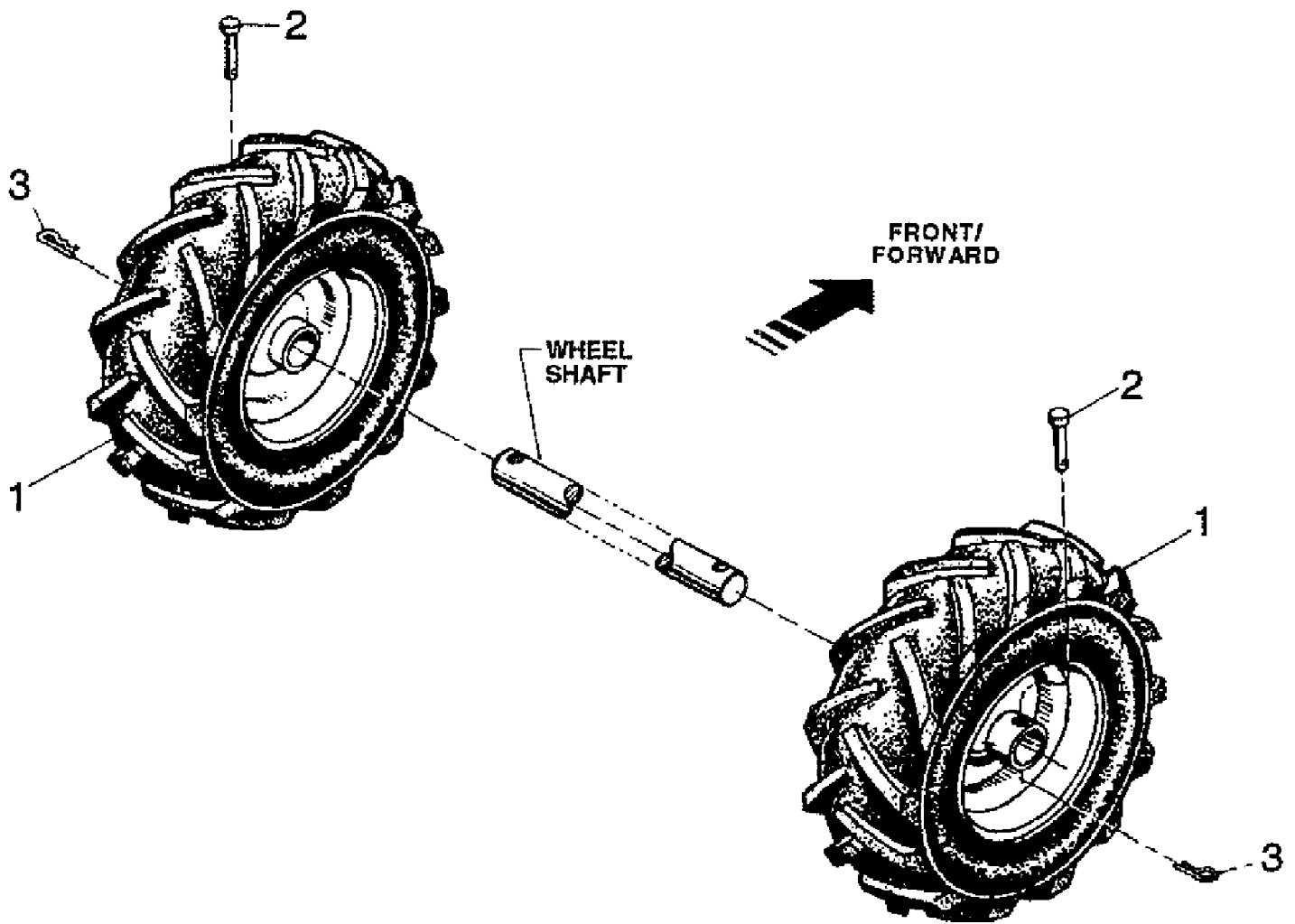
Ref #	Part Number	Qty	S/P/F	Description
1	9727	1	S	Plug, Transmission Oil Fill
2	1186328	8	S	Flange Screw, Grade 5, 5/16-18 x 5/8
5	1916641001	1	/P	Front Cover, Transmission
5A	50074	1	S	Rear Cover, Transmission
6	50032	2	S	Gasket, Housing Cover
7	9617	1	S	Oil Seal, Drive Shaft
8	9621	2	S	Oil Seal, Wheel Shaft
9	1916975001	1	S	Transmission Housing Assembly
10	1909374	2	S	Oil Seal, Tine Shaft
11	55011-1	1	S	Gasket, Bearing Cap (.010" thick)
	55011-2	1		Gasket, Bearing Cap (.030" thick)
12	1916111001	1	S	Rear Bearing Cap
13	1186331	2	S	Flange Screw, 5/16-18 x 1
14	1100044	1	S	Flange Screw, 5/16-18 x 3/4
15	1100242	1	S	Lockwasher, 5/16
	737-04040	1 Qt.	/P	Transmission Gear Oil

12193 Econo-Horse 6.5HP OPC  
View Rear-Tine Tillers

Page 13 of 17



Ref #	Part Number	Qty	S/P/F	Description
1	9512	2	S	Retainer, Snap Ring, "E" Type
2	9511	4	S	Retainer, Snap Ring
3	1166-1	A/R	S	Shim, 0.062 Thick
	1166-2	A/R	S	Shim, 0.030" Thick
	1166-3	A/R	S	Shim, 0.015" Thick
	1166-4	A/R	S	Shim, 0.010" Thick
	1166-5	A/R	S	Shim, 0.005" Thick
4	1086	4	S	Bushing, Bronze
5	1916741	1	S	Wheel Shaft
6	9305	1	S	Hi-Pro Key, 1/4 x 1
7	1132-2	4	S	Spacer
8	1904278	1	S	Worm Gear, Wheel Shaft
9	1915074	1	S	Tiller Shaft
10	1104	1	S	Woodruff Key
11	1916542	1	S	Worm Gear
12		1		UNKNOWN





12193 Econo-Horse 6.5HP OPC  
Wheels

Page 17 of 17

Ref #	Part Number	Qty	S/P/F	Description
1	1917486	2	/P	Wheel & Tire Assembly
2	9380	2	S	Clevis Pin, .312 x 1-3/4
3	9338	2	S	Hair Pin Cotter