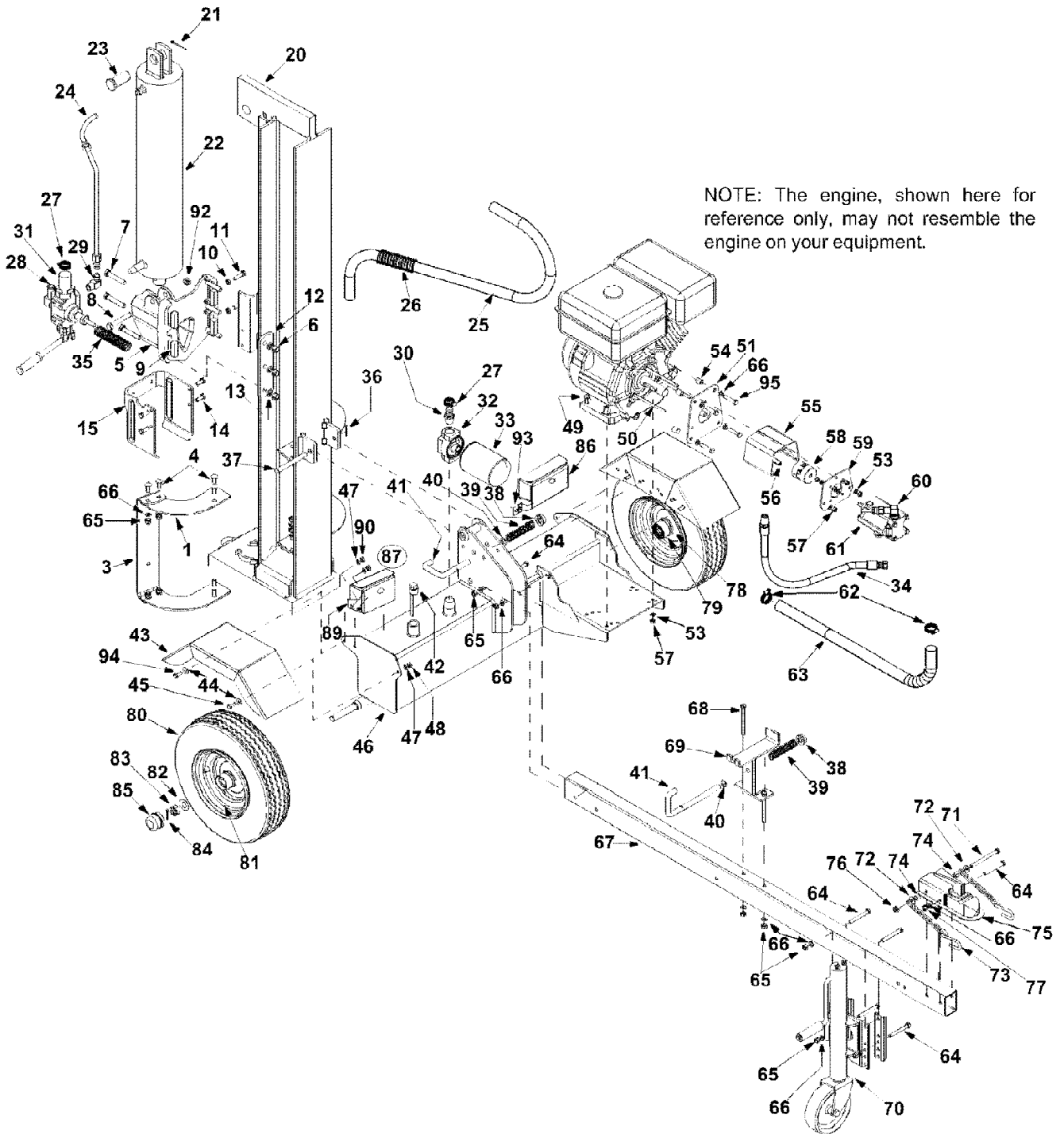


LS338 Log Splitter (2003)
General Assembly



Ref #	Part Number	Qty	S/P/F	Description
1	781-0686	1	S	Log Tray Bracket
3	781-0682	1	S	Log Tray
4	710-3097	1		Carriage Bolt 3/8-16 x 1.0
5	719-0550	1	S	Wedge Assembly
6	712-0239	1	S	Lock Nut 1/2-20
7	710-1018	1	/P	Hex Cap Screw 1/2-20 x 2.75
8	710-1806	1	/P	Hex Screw 1/2-13 x 3.25
9	781-0351	1	/P	Adjustable Gib
10	712-0711	1	/P	Hex Jam Nut 3/8-24
11	710-0459A	1	/P	Hex Cap Screw 3/8-24 x 1.5
12	781-0790	1	S	Back Plate
13	736-0921	1	S	Lock Washer 1/2
14	736-0300	1	S	Flat Washer .406 ID x .875 OD
15	710-0514	1	/P	Hex Screw 3/8-16 x 1.0
16	781-0525	1		Dislodger
20	681-0129A	1	S	Beam Assembly
21	714-0211	1		Cotter Pin
22	718-0313	1	S	Hydraulic Cylinder 31/33 Ton
23	711-1135	1		Clevis Pin
24	727-0471	1		Hydraulic Tube
25	727-0443	1		Return Hose 3/4" ID x 44" Lg.
26	781-0526	1		Hose Guard
27	726-0132	1	/P	Hose Clamp 5/8"
28	737-0153	1		Return Elbow
29	737-0264	1		90 Degree Solid Male Adapter
30	737-0312	1		3/4" Hose Adapter
31	718-0481	1	S	Control Valve
32	737-0316	1	/P	Filter Housing
33	723-0405	1	/P	Oil Filter
34	727-0502	1		High Pressure Hydraulic Hose
35	781-0538	1	S	Hose Guard
36	714-0470	1	S	Cotter Pin 1/8"
37	738-0805	1		Hinge Pin 1/2 x 4.8" Lg.
38	726-0214	1	/P	Push Cap
39	732-0583	1		Compression Spring 4"
40	736-0116	1	S	Flat Washer .635 ID x .93 OD
41	781-0690	1		Locking Rod
42	737-0348	1	S	Vented Dipstick
43	781-04002	1		Fender Assembly
44	736-0371	1	/P	Lock Washer 5/16
45	710-3038	1	/P	Hex Screw
46	681-0178A	1	S	Frame Assembly 7.0 Gal
47	736-0119	1	S	Lock Washer 5/16
48	712-0123	1	/P	Hex Nut 5/16-24
49	710-0409	1	/P	Hex Cap Screw 5/16-24 x 1.75
50	710-1253	1		Hex Cap Screw 5/16-24 x 5.25
51	781-1100	1	S	Front Support Bracket Coupling
53	736-0119	1	S	Lock Washer 5/16
54	710-0237	1	/P	Hex Cap Screw 5/16-24 x .625
55	719-0315	1		Shoulder Spacer
56	714-0114	1	S	Key
57	712-0123	1	/P	Hex Screw 5/16
58	718-0685	1	S	Flex Coupling

Ref #	Part Number	Qty	S/P/F	Description
59	781-0097	1	S	Rear Coupling Support Bracket
60	737-0264	1		Adapter 7/8-14
61	753-05195	1	/P	Pump (15 gmp) Service Kit replaces 718-0684 Pump (16 gmp)
61	718-04128	1	S	Pump (15 gmp)
62	726-0174	1		Hose Clamp
63	727-0451	1		Suction Hose
64	710-0521	1	/P	Hex Cap Screw 3/8-16 x 3.0
65	712-0798	1	/P	Hex Nut 3/8-16
65	712-0798	1	/P	Hex Nut 3/8-16
66	736-0169	1	S	Lock Washer 3/8
67	781-0680A	1	/P	Tube
68	710-0411	1	/P	Hex Cap Screw 3/8-16 x 4.0
69	681-0110	1	S	Support Beam Assembly
70	681-0006	1	S	Adjustable Jack Stand
71	710-0944	1	/P	Hex Cap Screw 3/8-16 x 4.25
72	736-0262	1	/P	Flat Washer .385 ID x .870 OD
73	713-0433	1	S	Chain
74	750-0497	1		Spacer
75	727-0311	1		Hitch Coupler
76	712-0375	1	/P	Lock Nut 3/8-16
77	712-3008	1	S	Hex Jam Nut 3/8-16
78	721-0168	1	S	Bearing Seal
79	741-0987	1	S	Bearing Cone
80	634-0186	1	/P	Wheel Assembly
81	634-0180	1		Rim Assembly
82	736-0351	1	S	Flat Washer .76" ID x 1.5" OD
83	712-0359	1	/P	Slotted Nut 3/4-16
84	714-0162	1	/P	Cotter Pin 5/32" x 1-1/4" Lg.
85	734-0873	1		Hub Cap
86	681-0074	1	S	Light Bracket Assembly LH
87	625-0009	1		Tail Light Assembly
89	781-0624	1	S	Light Bracket Assembly RH
90	712-3010	1	S	Hex Nut
92	712-3022	1	/P	Lock Nut 1/2-13