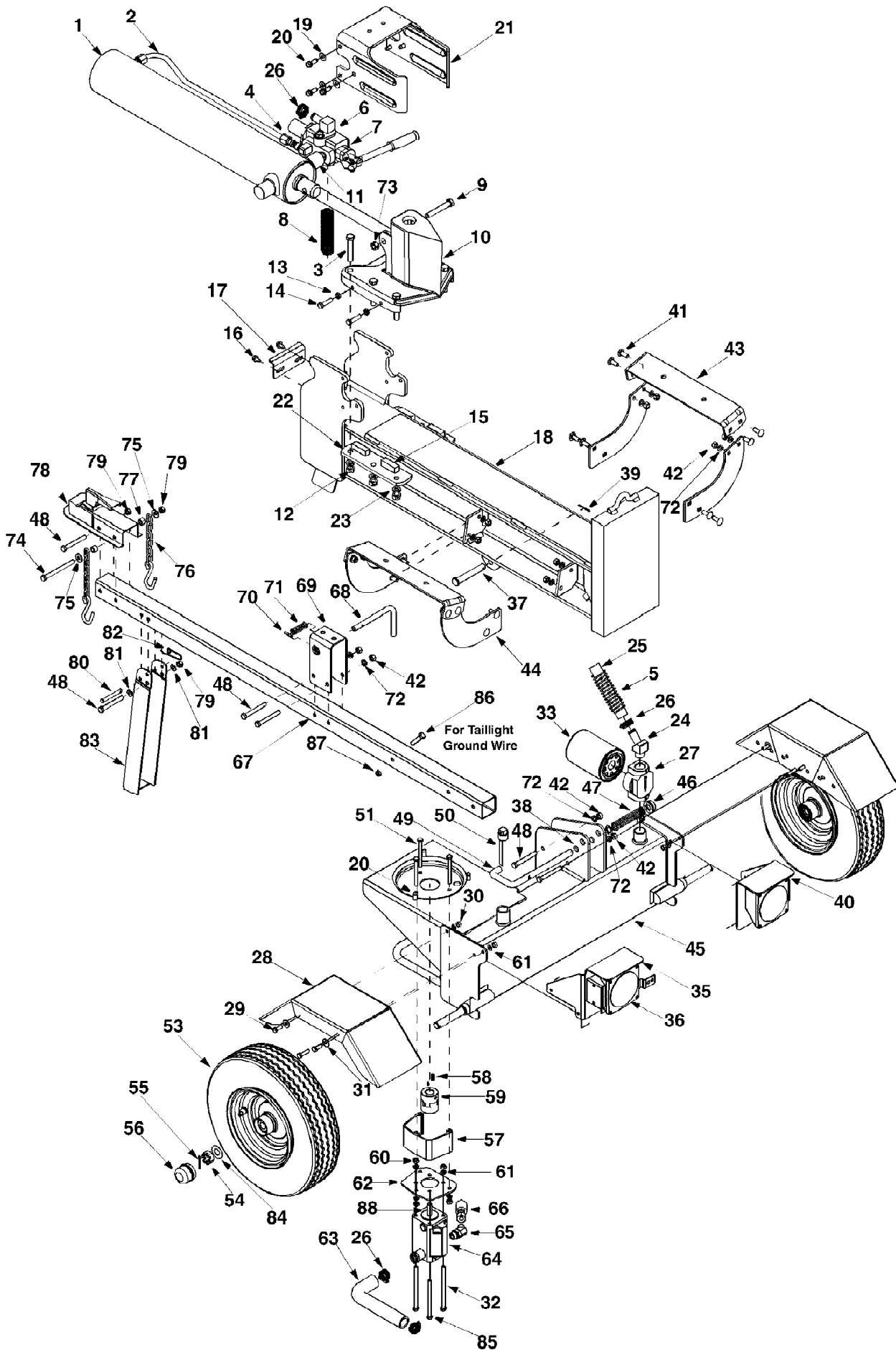


LS275 Log Splitter (2005)
General Assembly



Ref #	Part Number	Qty	S/P/F	Description
1	718-0769	1	S	Hydraulic Cylinder
2	727-0634	1		Hydraulic Tube
3	710-1018	1	/P	Hex Cap Screw 1/2-20 x 2.75
4	737-0192	1	/P	90 Degree Solid Adapter
5	781-0526	1		Hose Guard
6	737-0153	1		Return Elbow
7	718-0481	1	S	Control Valve
8	781-0538	1	S	Hose Guard
9	710-1806	1	/P	Hex Cap Screw 1/2-13 x 3.25
10	719-0550	1	S	Wedge Assembly
11	737-0238	1		Nipple Pipe 1/2-14
12	712-0239	1	S	Lock Nut 1/2-20
13	712-0711	1	/P	Hex Jam Nut 3/8-24
14	710-0459A	1	/P	Hex Cap Screw 3/8-24 x 1.5
15	781-0351	1	/P	Adjustable Gib
16	710-1260A	1	/P	LD Screw 5/16-18 x.75
17	781-1054	1	S	Cylinder Support Bracket
18	681-0162	1	S	Beam Assembly
19	736-0300	1	S	Flat Washer.406 ID x.875 OD
20	710-0654A	1	/P	Hex Washer Screw 3/8-16 x 1.0
21	781-1048	1	S	Dislodger
22	781-0790	1	S	Back Plate
23	736-0921	1	S	Lock Washer 1/2
24	737-0312	1		Adapter 3/4-14
25	727-0443	1		Return Hose 3/4" ID x 44" Lg.
26	726-0132	1	/P	Hose Clamp 5/8"
27	737-0316	1	/P	Filter Housing
28	781-04002	1		Fender
29	710-3038	1	/P	Hex Screw
30	712-3010	1	S	Hex Nut 5/16-18
31	736-0371	1	/P	Lock Washer 5/16
32	710-1253	1		Hex Bolt 5/16-24 x 5.25"
33	723-0405	1	/P	Oil Filter
35	681-0164	1	S	Light Bracket LH
36	625-0062	1		Taillight Kit If equipped
36	725-2058	1		RH Taillight Assembly Not shown
36	725-2059	1		LH Taillight Assembly Not shown
36	725-2060	1		Wiring Harness Not shown
37	711-1587	1		Clevis Pin
38	736-0116	1	S	Flat Washer.635 ID x.93 OD
39	714-0470	1	S	Cotter Pin
40	781-1027	1	S	Light Bracket RH
41	710-3097	1		Carriage Bolt 3/8-16 x 1.0
42	712-0798	1	/P	Hex Nut 3/8-16
43	781-0682	1	S	Log Tray
44	781-0686	1	S	Log Tray Bracket
45	681-0161	1	S	Frame Assembly
46	726-0214	1	/P	Push Cap
47	732-0583	1		Compression Spring
48	710-0521	1	/P	Hex Bolt 3/8-16 x 3"
49	781-0690	1		Lock Rod
50	737-0348A	1	/P	Vented Dipstick
51	710-1338	1	/P	Hex Screw 5/16-24 x 3.25

Ref #	Part Number	Qty	S/P/F	Description
53	634-0186	1	/P	Wheel Assembly
53	941-04089	1	/P	Cone Bearing Not Shown
53	921-0168	1	/P	Grease Retainer Not Shown
54	712-0359	1	/P	Slotted Nut 3/4-16
55	714-0162	1	/P	Cotter Pin
56	734-0873	1		Hub Cap
57	719-0353	1		Coupling Shield
58	714-0122	1	S	Square Key 3/16" x.75
59	718-0686	1	S	Flexible Coupling
60	712-0123	1	/P	Hex Nut 5/16-24
61	736-0119	1	S	Lock Washer 5/16" ID
62	781-0097	1	S	Rear Coupling Support Bracket
63	727-0633	1		Hose
64	718-0683	1	S	Gear Pump (11gpm)
65	737-0329	1		45 Degree Elbow
66	727-0502	1		High Pressure Hydraulic Hose
67	781-0788	1		Tongue Tube Assembly
68	747-1261	1		Tongue Latch Rod
69	781-1045	1		Latch
70	715-0120	1	S	Spiral Pin
71	732-3127	1	S	Compression Spring
72	736-0169	1	S	L-Washer 3/8"
73	712-3022	1	/P	Hex Lock Nut 1/2-13
74	710-0944	1	/P	Hex Cap Screw 3/8-16 x 4.25
75	736-0262	1	/P	Flat Washer.385 ID x.870 OD
76	713-0433	1	S	Chain
77	750-0497	1		Spacer.375 ID x.625 OD
78	681-04030	1		Hitch Coupler
79	712-0375	1	/P	Hex Lock Nut 3/8-16
80	711-0813	1	S	Clevis Pin
81	736-0185	1	S	Flat Washer.375 ID x.738 OD
82	732-0194	1		Spring Pin
83	781-0789	1		Jack Stand
84	736-0351	1	S	Flat Washer.760 ID x.500 OD
85	710-3195	1		Hex Bolt 5/16-18 x 4.5"
86	710-0874	1	/P	Hex Screw, 5/16-18 x 1.25
87	712-3008	1	S	Jam Nut, 3/8-16
88	714-0229	1		Key