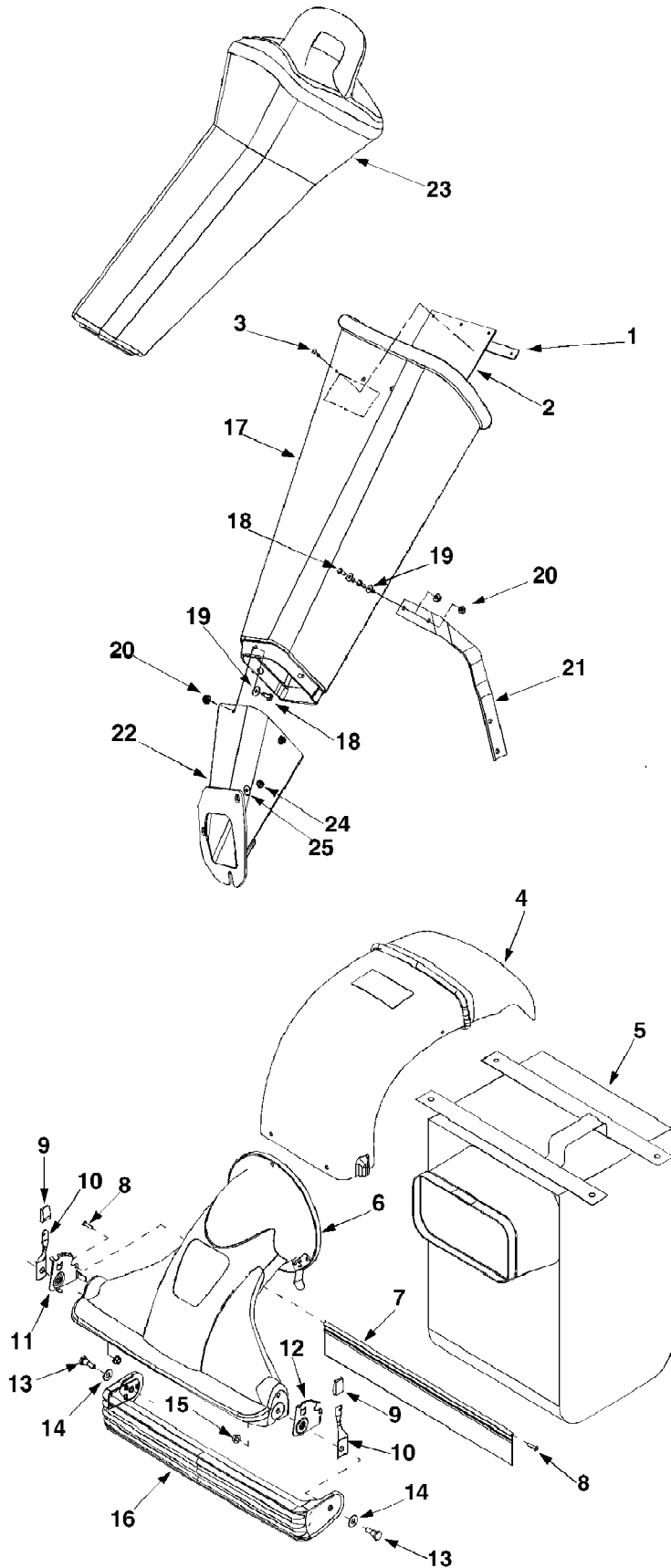


CSV206 Chipper Shredder Vac (2005)  
Bag & Chute



**NOTE:** For painted parts, refer to the list of color codes below. Please add the applicable color code to the part number for a replacement part. For instance, if a part numbered 700-xxxx is painted Red, the part number to order would be 700-xxxx-0638.

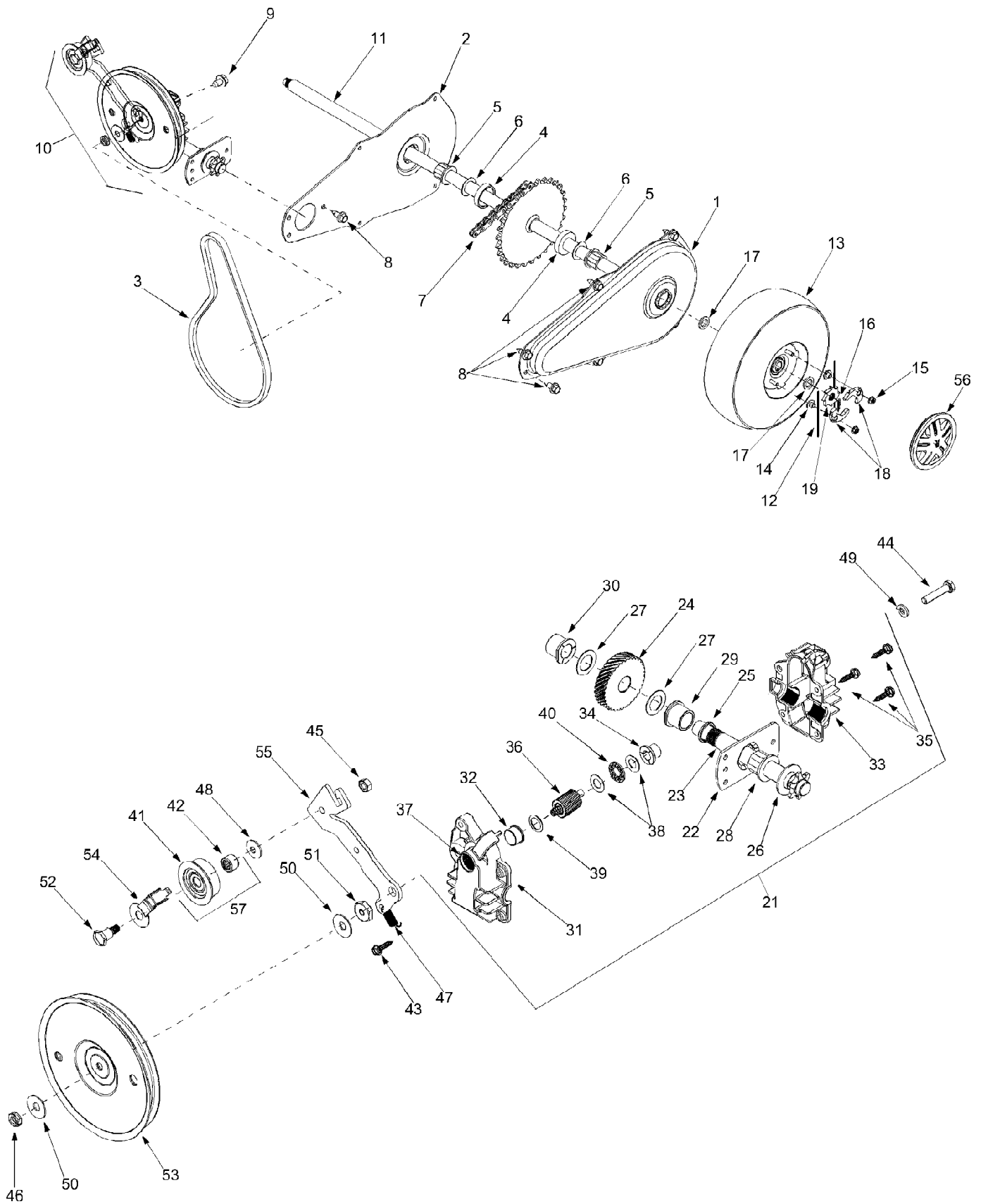
Red: 0638  
Oyster Gray: 0662  
Powder Black: 0637

CSV206 Chipper Shredder Vac (2005)  
Bag & Chute

Page 2 of 9

Ref #	Part Number	Qty	S/P/F	Description
1	781-0633	1		Chute Flap Strip
2	735-0249	1	S	Chute Flap
3	728-0175	1		Pop Rivet
4	731-1838A	1	/P	Discharge Chute
5	764-04001	1	S	Bag
6	631-0086	1	/P	Nozzle Assembly
7	731-1831	1		Nozzle Flap
8	710-0969	1	/P	Screw
9	720-0190	1	S	Height Adjustment Knob
10	732-0754	1		Spring Lever
11	781-0702	1	S	Index Bracket RH
12	781-0703	1	S	Index Bracket LH
13	738-0913	1	S	Shoulder Screw
14	736-3084	1	/P	Flat Washer.510 x 1.12 x.060
15	712-0431	1	S	Hex Flange Lock Nut 3/8-16
16	631-0049	1		Door Assembly
17	731-1574A	1	/P	Chipper Chute
18	710-0751	1	/P	Hex Cap Screw 1/4-20 x.620
19	736-0173	1	/P	Flat Washer .28 ID x.74 OD
20	712-3027	1	S	Hex Lock Nut 1/4-20
21	781-0780	1	S	Support Bracket
22	681-0068A	1	/P	Chipper Chute Assembly
23	731-1617	1	/P	Tamper Plug
24	712-3010	1	S	Hex Nut, 5/16-18
25	736-0242	1	/P	Belleville Washer, .340ID x.872OD
	777D06245	1		Label- Troy Bilt Chipper Shredder
	777D06513	1		Label- 6.5 Eng
	777D06541	1		Label- Chipper Shredder Vac
	777I20071	1		Label- Chipper Shredder SP
	777I20123	1		Label- Castor Wheel Lock
	777S30041	1		Label- Warning/ Avoid Injury
	777S30131	1	/P	Label- Caution Do Not Operate
	777S30181	1	/P	Label- C/S/V Top Chute Danger
	777S30183	1		Label- Flail Housing Warning

CSV206 Chipper Shredder Vac (2005)  
Drive

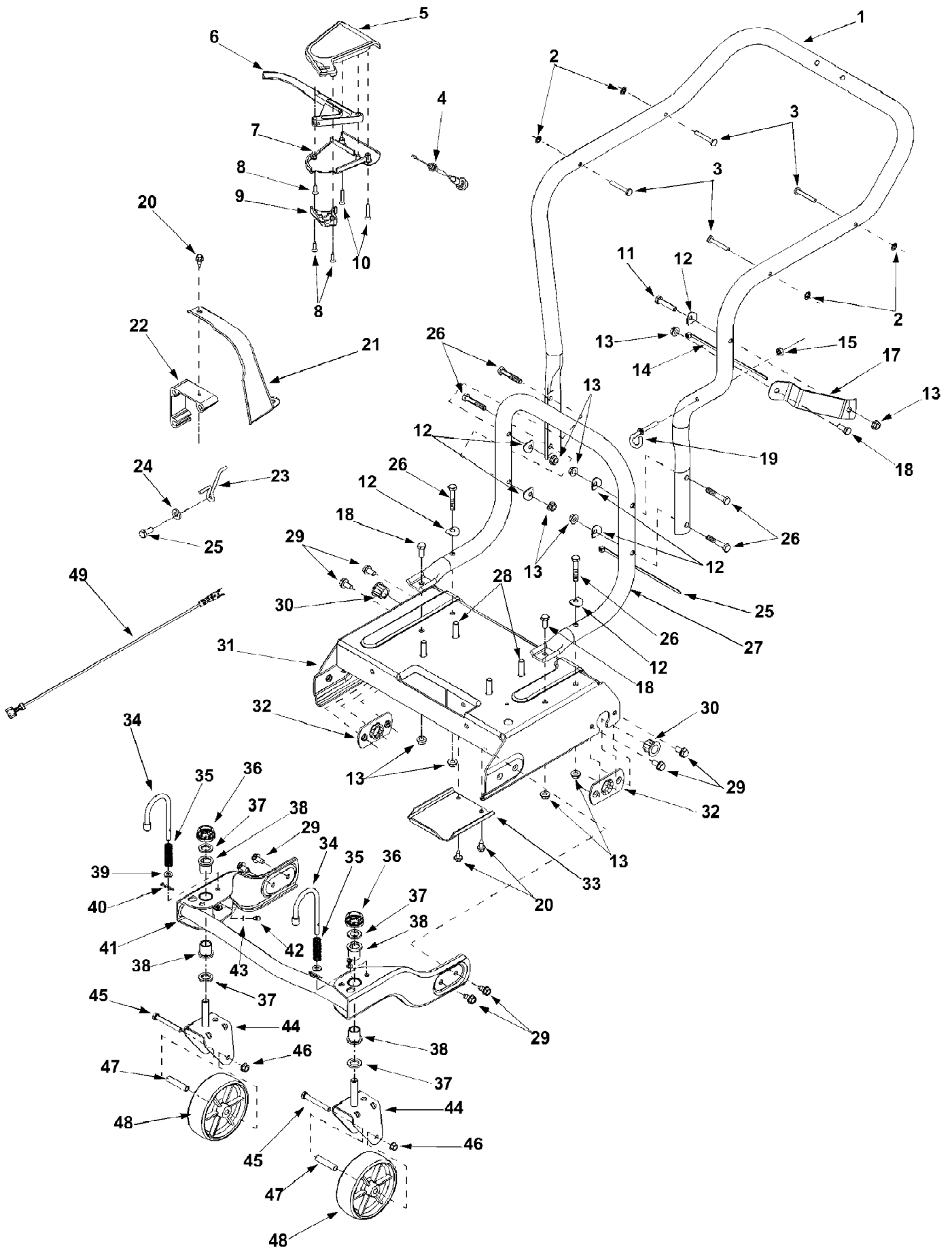


Ref #	Part Number	Qty	S/P/F	Description
1	781-0677	1		Chain Case LH
2	781-0676	1		Chain Case RH
3	754-0457	1	S	V-Belt
4	748-0313	1		Spacer
5	741-0413	1	S	Hex Flange Bearing
6	736-0336	1	S	Flat Washer
7	713-0422	1	S	Chain
8	710-0896	1	/P	TT Screw 1/4-14 x 0.625"
9	710-0603	1	/P	Hex Washer Screw 5/16
10	618-0256	1		Transmission Assembly
11	611-0063	1		Axle Assembly
12	10622B	1	S	Plastic Spring Ratchet
13	634-0244	1	/P	Wheel Complete 10 x 4 x 4
14	712-0456	1	S	Hex Nut 1/4-20
15	712-3027	1	S	Hex Flanged Lock Nut 1/4-20
16	714-0104	1	S	Cotter Pin
17	736-0366	1	/P	Flat Washer 5/8 ID x 1.0 OD
18	748-0188B	1	S	Pawl LH.345 ID
	748-0381	1		Pawl RH.345 ID
19	748-0405	1		Wheel Ratchet 1.62 OD x.5 serr
21	618-0255	1	S	Transmission Assembly: Complete
22	16500A	1	S	Hex Bearing Cup
23	711-1118	1	S	Output Shaft 6T Sprocket
24	717-1432	1		Helical 34T Gear
25	721-0213	1	/P	Oil Seal
26	736-0187	1	/P	Flat Washer.64 ID x 1.24 OD
27	736-0336	1	S	Flat Washer 5/8 x 1.0
28	741-0413	1	S	Hex Flange Bearing.631 ID
29	741-0414	1		Flange Bearing.629 ID
30	741-0415	1	S	Flange Bearing.566 ID
31	719-0325	1		Lower Housing
32	748-0373	1		Flange Bearing.503 ID
33	719-0324A	1		Upper Housing
34	748-0208A	1	/P	Flange Bearing.378 ID
35	710-0589	1	/P	Hex Washer Screw #10-16 x.75
36	717-1433	1		Pinion Shaft 10T
37	721-0329	1	S	Oil Seal
38	736-0314	1	S	Thrust Washer.382 ID x.684 OD
39	736-0520	1	S	Flat Washer.504 ID x.70 OD
40	741-0479	1		Thrust Bearing.375 ID x.812 OD
41	756-0558	1	S	Idler Pulley
42	741-0556	1	S	Needle Bearing.375 ID x.375 OD
43	710-0589	1	/P	Hex Screw #10-16 x.75
44	710-1062	1		Hex Cap Screw 1/4-20 x 1.25
45	712-0138	1	S	Hex Nut 1/4-28
46	712-3045	1	S	Hex Jam Nut 5/16-24 LH Thd
47	732-0357A	1	S	Extension Spring 1.12 Lg
48	736-0270	1	/P	Bell Washer.265 ID x.75 OD
49	736-0329	1	S	Lock Washer 1/4
50	736-0425	1	S	Bell Washer.325 ID x.930 OD
51	738-0440	1		Shoulder Spacer.375 ID x.165 OD
52	738-0826	1	S	Shoulder Bolt 1/4-28 x.375
53	756-0656	1	/P	Flat Pulley 5.06 Dia

CSV206 Chipper Shredder Vac (2005)  
Drive

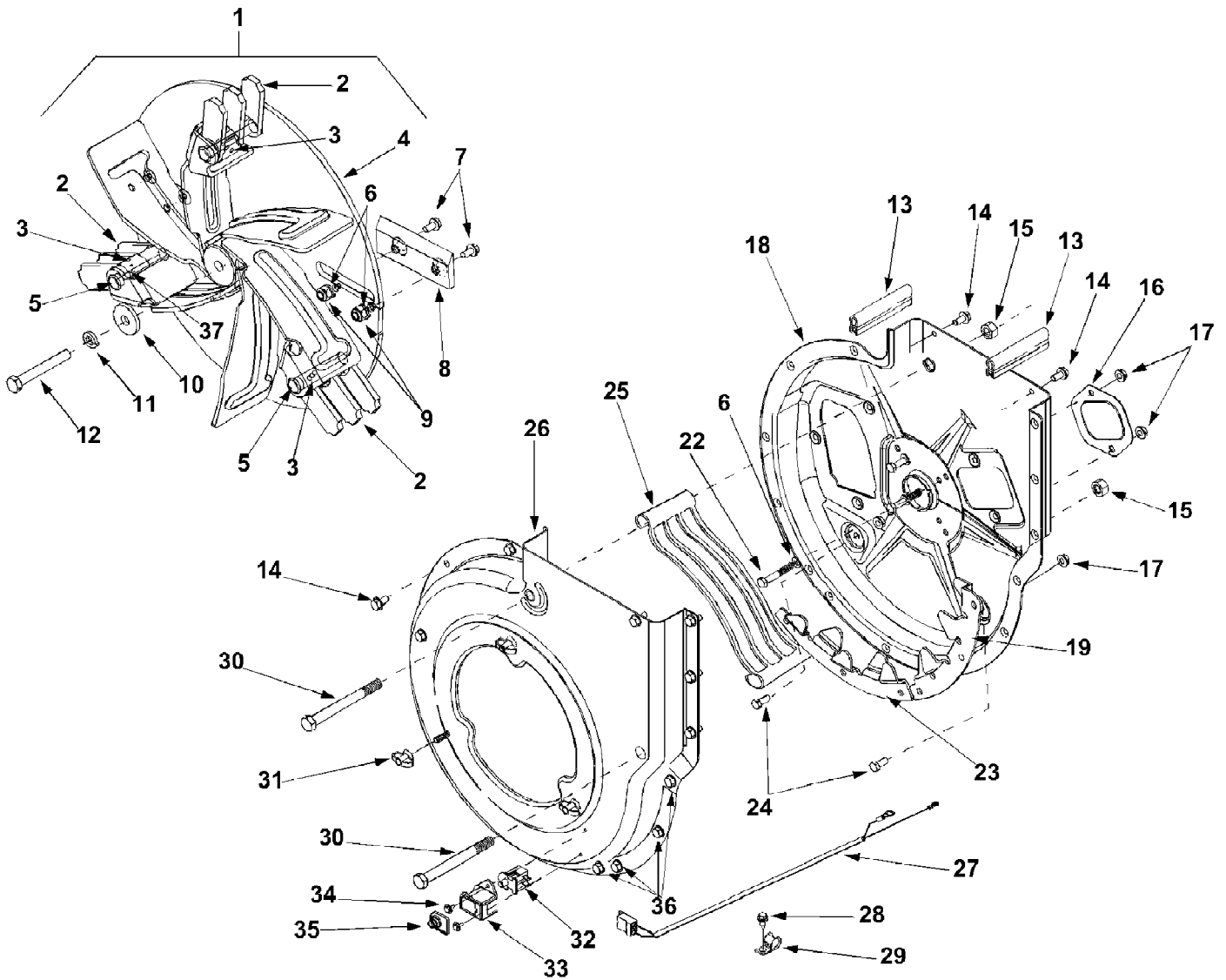
Page 5 of 9

Ref #	Part Number	Qty	S/P/F	Description
54	782-7569	1		Belt Keeper
55	682-0054	1	/P	Idler Bracket
56	734-1984	1		Hub Cap
57	656-0008	1	S	Idler Pulley Assembly W/ Bearing



Ref #	Part Number	Qty	S/P/F	Description
1	749-1095	1		Upper Handle
2	1539-019	1		Push Nut
3	711-0737	1	S	Stud Pin.250 x 1.75
4	746-0714	1	S	Clutch Cable 56"
5	731-1735	1	S	Upper Clutch Cover
6	731-0620	1	S	Drive Lever
7	731-1736	1		Lower Clutch Cover
8	710-0841	1	/P	Screw #10-12 x.750
9	731-1059	1	S	Mounting Cable Cap
10	710-1331	1		Screw #10-16 x 1.25
11	710-0805	1	/P	Hex Cap Screw 5/16-18 x 1.50
12	736-0451	1	S	Shoulder Washer.320 ID x.93 OD
13	712-3004A	1	/P	Hex Flange Lock Nut 5/16-18
14	725-0157	1	/P	Cable Tie
15	712-0138	1	S	Hex Nut 1/4-28
17	781-0647	1		Discharge Chute Bracket
18	710-3008	1	/P	Hex Cap Screw 5/16-18 x.75
19	747-0815	1		Eye Bolt
20	710-0896	1	/P	Hex Washer Screw 1/4-14 x.625
21	731-1646	1		Belt Cover
22	719-0359	1		Engine Mounting Adapter
23	747-0929A	1		Belt Keeper
24	736-3008	1	S	Flat Washer.344 x.75 x.12
25	710-0157	1	/P	Hex Cap Screw 5/16-24 x.75
26	710-3103	1	/P	Hex Cap Screw 5/16-18 x 1.75
27	749-1094	1		Lower Push Handle
28	710-0502A	1	/P	Screw 3/8-16 x 1.25
29	710-0604A	1	/P	Hex Washer Screw 5/16-18 x.625
30	741-0413	1	S	Hex Flange Bearing.631 x.720
31	681-0097A	1	/P	Frame Assembly
32	781-0700	1	S	Axle Bracket
33	781-0697	1	S	Transmission Cover
34	747-0924	1		Lock Pin
35	732-0306	1	S	Compression Spring
36	726-0214	1	/P	Push Cap
37	736-0366	1	/P	Flat Washer 5/8 ID x 1.0 OD
38	741-0487A	1	S	Flange Bearing.632 ID
39	736-0264	1	S	Flat Washer.330 ID x.630 OD
40	714-0104	1	S	Cotter Pin
41	681-0087	1		Bracket Assembly
42	737-3000	1	S	Grease Fitting 3/16
43	736-0931	1	/P	Flat Washer.203 ID x.403 OD
44	681-0088	1		Bracket Assembly
45	710-0521	1	/P	Hex Cap Screw 3/8-16 x 3.0
46	712-0431	1	S	Flange Lock Nut 3/8-16
47	750-1042	1		Spacer
48	734-1804A	1	/P	Wheel 6.0 x 2.0
49	629-0923	1		Adapter Harness Assembly

CSV206 Chipper Shredder Vac (2005)  
Impeller Assembly





Ref #	Part Number	Qty	S/P/F	Description
1	681-0116	1	S	Impeller Assembly: Complete
2	719-0329	1		Flail Blade
3	715-0166	1		Spiral Pin
4	681-0107	1	S	Impeller Assembly
5	711-0833B	1	S	Clevis Pin
6	736-0119	1	S	Lock Washer 5/16
7	710-1054	1	/P	Cap Screw 5/16-24 x 1.0
8	742-0544	1	S	Chipper Blade
9	712-0411	1	S	Hex Lock Nut 5/16-24
10	736-0247	1	/P	Flat Washer.406 x 1/1/4
11	736-0217	1	S	Lock Washer 3/8
12	710-1273	1		Hex Cap Screw 3/8-24 x 2.75
13	723-0438	1		Rubber Seal
14	710-0604A	1	/P	Hex Washer Screw 5/16-18
15	712-0384	1	S	Hex Lock Nut 1/2-13
16	781-0627	1		Chipper Blade Cover
17	712-3004A	1	/P	Hex Flange Lock Nut 5/16-18
18	681-0098	1		Housing Assembly: Inner Flail
19	781-0599	1	S	Upper Shredder Blade
22	710-0772	1	/P	Hex Cap Screw 5/16-18 x 2
23	781-0653	1	S	Flail Housing Blade
24	710-3008	1	/P	Hex Cap Screw 5/16-18 x.75
25	719-0326	1		Discharge Screen
26	681-0060	1	/P	Housing Assembly: Outer Flail
27	629-0241A	1	S	Wire Harness
28	710-0896	1	/P	TT Screw 1/4-14 x 0.625"
29	726-0272	1	/P	Clamp
30	710-0382	1		Hex Cap Screw 1/2-13 x 5.0
31	712-0421	1		Knob 5/16-18
32	725-3166	1	S	Switch
33	731-1613	1	S	Safety Switch Mounting Cover
34	710-1268	1	/P	Hex Washer Screw
35	725-1700	1	S	Switch Cover
36	710-1260A	1	/P	LD Screw 5/16-18 x 0.75"
37	781-0735	1		Retaining Pin Clip
38	723-0400	1	/P	Safety Glasses (Not Shown)