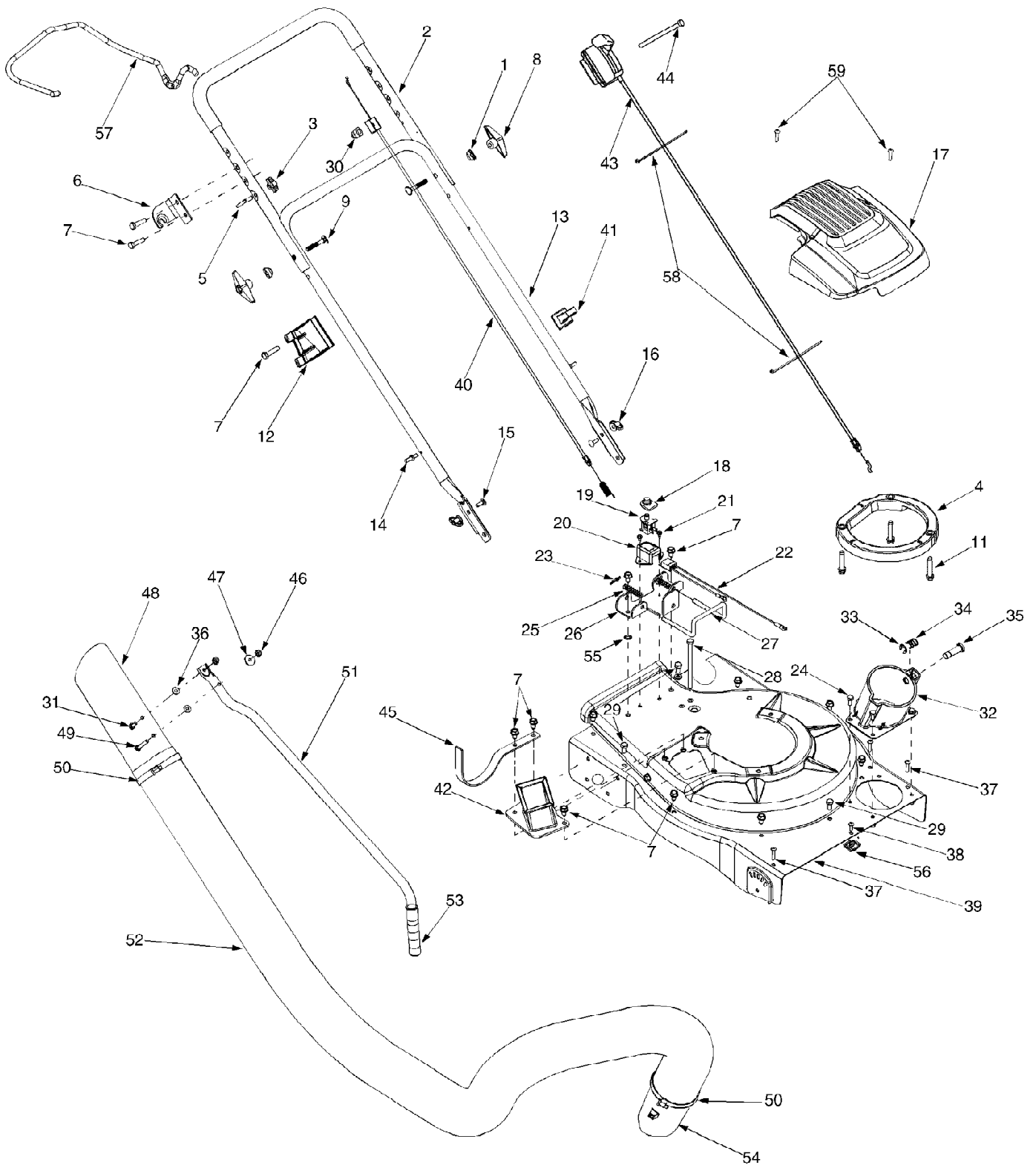


CSV070 Chipper Shredder Vac (2005)
Frame & Handle



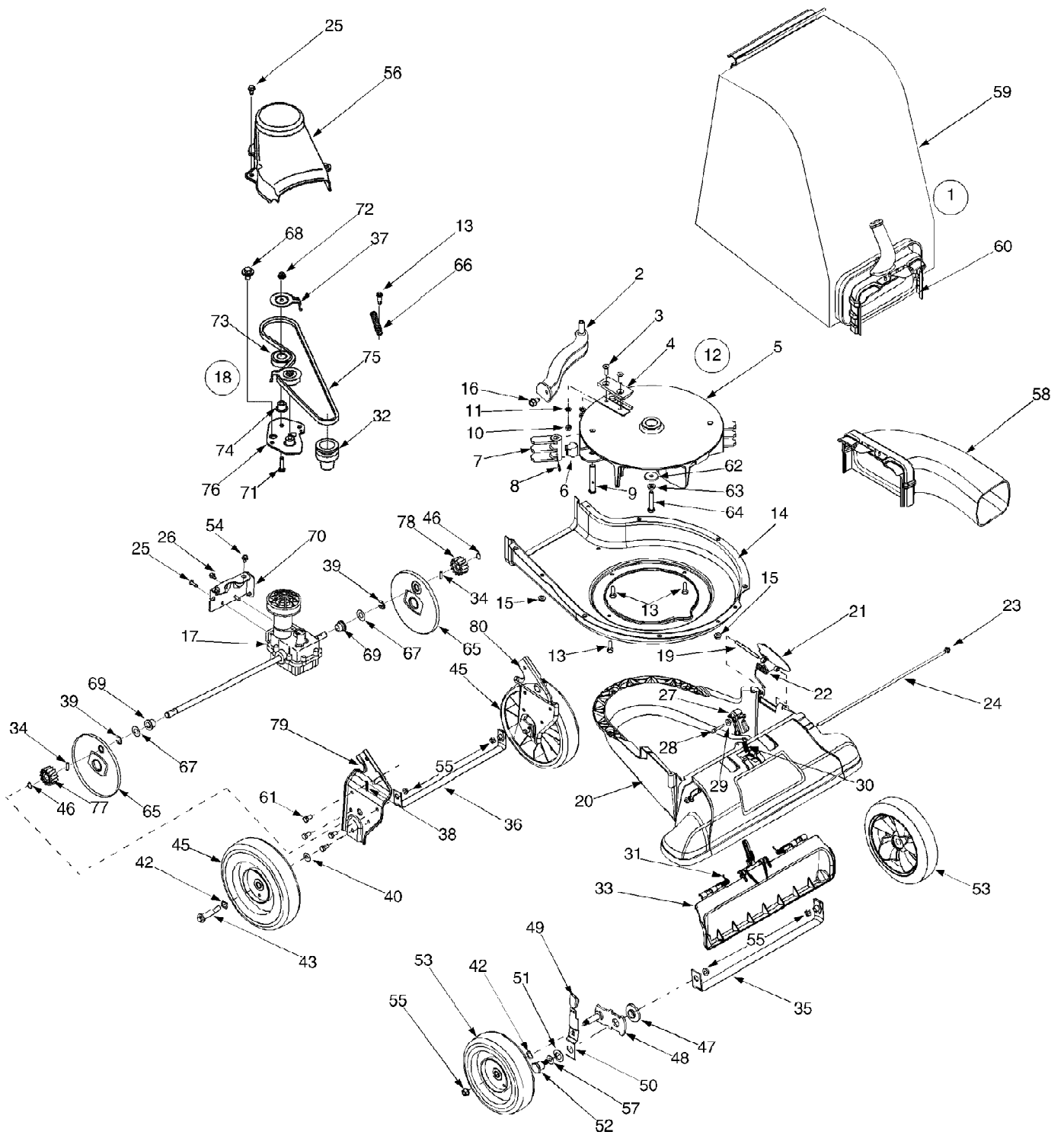
Ref #	Part Number	Qty	S/P/F	Description
1	736-0451	1	S	Saddle Washer,.320 x.93
2	749-04163	1		Upper Handle
3	720-0279	1	/P	Knob
4	631-04118	1		Engine Spacer Ass'y
5	710-1205	1	/P	Eye Bolt
6	781-1056	1	S	Upper Hose Handle Bracket
7	710-0726	1	/P	Hex Cap Screw 5/16-12 x.750
8	720-0241	1	S	Handle Knob 5/16-18
9	710-1174	1	/P	Carriage Bolt
11	710-1008	1		Screw, 3/8-16 x 1.875
12	731-04911	1		Lower Hose Handle Bracket
13	749-04165	1	S	Lower Handle
14	711-1293	1	/P	Studs
15	710-0703	1	/P	Carriage Screw 1/4-20 x.75
16	712-0397	1	S	Wing Nut 1/4-20
17	751B699869	1	S	Shroud
18	725-1700	1	S	Switch Cover
19	725-3166	1	S	Safety Switch
20	731-1613	1	S	Safety Switch Cover
21	710-0224	1	S	Hex Washer Screw #10-16 x.50
22	629-0920A	1	/P	Wire Harness
23	714-0104	1	S	Cotter Pin
24	710-0599	1	/P	Screw, 1/4-20 x.500
25	732-0962	1		Compression Spring
26	781-0778A	1	S	Switch Mounting Bracket
27	747-1153	1		Lock Rod
28	710-3195	1		Hex Cap Screw 5/16-18 x 4.5
29	710-3025	1	/P	Hex Cap Screw 5/16-18 x.625
30	712-0442	1	S	Cap Lock Nut, 1/4-20
31	710-0751	1	/P	Hex Cap Screw 1/4-20 x.620
32	731-2484	1	S	Hose Base Adapter
33	716-0104	1	S	E Ring.500 Dia
34	732-3035	1	S	Compression Spring
35	711-1571	1		Clevis Pin
36	736-3020	1	S	Flat Washer.271 ID x.630 OD
37	710-1220	1	/P	Screw #12-16 x.750
38	710-0351	1	/P	Screw #10 - 16 x.500
39	781-04069	1		Flail Housing
40	746-04156	1		Drive Control Cable
41	731-1820	1	/P	Cable Guide
42	681-0122	1		Chipper Chute Assembly
43	746-04155	1		Speed Control Cable
44	710-1122	1	/P	Hex Screw, 1/4-20 x 2.50
45	781-1058	1	S	Hose Bracket Hanger
46	712-04064	1	/P	Flange Lock Nut, 1/4-20
47	748-0457	1		Spacer
48	731-2478	1		Hose Nozzle
49	710-3288	1		Hex Cap Screw 1/4-20 x 2.625
50	723-0295	1	/P	Adjustment Clamp
51	749-1270	1	S	Nozzle Handle
52	764-0648	1	S	Vacuum Hose
53	07071	1	/P	Handle Grip
54	731-2292	1		Hose Adapter

CSV070 Chipper Shredder Vac (2005)
Frame & Handle

Page 3 of 6

Ref #	Part Number	Qty	S/P/F	Description
55	736-0607	1	/P	External L-Washer 5/16
56	726-0139	1	/P	Speed Nut
57	747-04305	1		Drive Control
58	725-0157	1	/P	Cable Tie
59	710-1256	1	/P	Hex Screw, #8-18 x 1.25

CSV070 Chipper Shredder Vac (2005)
Impeller Assembly



Ref #	Part Number	Qty	S/P/F	Description
1	664-04031	1	S	Bag Assembly
2	681-0154	1	S	Screen Assembly
3	710-1054	1	/P	Hex Screw 5/16-24 x 1.0
4	781-0490	1	S	Chipper Blade
5	719-0530A	1		Impeller
6	781-0735	1		Pin Clip
7	719-0329	1		Flail
8	715-0166	1		Spiral Pin
9	711-1401	1		Clevis Pin
10	712-0411	1	S	Lock Nut, 5/16-24
11	736-0119	1	S	Lock Washer, 5/16
12	681-0152	1	S	Impeller Assembly (Incl. Ref 3 - Ref. 11)
13	710-1650	1	/P	Shoulder Screw, #12-24 x.30 x.46
14	781-0721B	1	/P	Lower Flail Housing
15	712-04063	1	/P	Flange Lock Nut 5/16-18
16	710-0607	1	/P	Screw, 5/16-18 x.500
17	618-04175	1	S	Transmission Assembly
18	681-04027	1		Idler Assembly (Incl. Ref. 37, 71-76)
19	747-04297	1		Hinge Pin
20	731-2293A	1	S	Nozzle
21	781-1064	1		Base Adapter Door
22	732-1156	1		Torsion Spring
23	726-0106	1	S	Cap Speed Nut 1/4
24	711-1551	1		Pivot Rod
25	710-0599	1	/P	Screw, 1/4-20 x.500
26	710-1220	1	/P	Screw, #12-16 x.750
27	731-04967	1		Nozzle Door Lever
28	710-1256	1	/P	Hex Screw, #8-18 x 1.25
29	750-1294	1		Shoulder Spacer
30	732-3118	1		Extension Spring
31	732-1151A	1		Nozzle Door Torsion Spring
32	711-04245	1	S	Impeller Hub
33	731-2294A	1	/P	Nozzle Door
34	715-0221	1	S	Dowel Pin
35	781-04082	1	S	Front Wheel Support Brace
36	781-04081	1	S	Rear Wheel Support Brace
37	782-7598	1		Belt Keeper
38	714-0104	1	S	Cotter Pin
39	716-0104	1	S	E - Ring
40	736-0258	1	/P	Flat Washer,.385 x 1.00 x.135
42	736-0232	1	S	Wave Washer.531 ID x.781 OD
43	738-1015	1		Shoulder Screw 3/8-16
45	734-04018	1	S	Wheel 8 x 2.125
46	716-0865	1	/P	Snap Ring
47	741-0751	1	/P	Height Adjustment Bearing
48	687-02094	1	S	Pivot Arm Assembly
49	720-0426	1	/P	Height Adjustment Knob
50	732-1026	1		Spring Lever
51	736-0741	1	/P	Bell Washer.760 ID x.25 OD
52	738-1172	1	/P	Shoulder Screw,.750 x.500
53	734-04033	1	/P	Wheel 8 x 2
54	710-1652	1	/P	Screw, 1/4-20 x.625
55	712-04065	1	/P	Flange Lock Nut, 3/8-16

CSV070 Chipper Shredder Vac (2005)
Impeller Assembly

Page 6 of 6

Ref #	Part Number	Qty	S/P/F	Description
56	731-04879	1		Belt Cover
57	736-0314	1	S	Thrust Washer.375 ID x.70 OD
58	631-0090	1	S	Blower Chute
59	664-04029	1		Bag
60	631-0083	1		Chute Assembly
61	710-0726	1	/P	Hex Index Screw, 5/16-12 x.750
62	736-0247	1	/P	Flat Washer.375 ID x 1.25 OD
63	736-0217	1	S	Lock Washer 3/8
64	710-1273	1		Hex Cap Screw 3/8-24 x 2.75
65	731-2522	1	S	Wheel Cover
66	732-04217	1		Extension Spring,.375 x 2.95
67	736-0369	1	S	Flat Washer,.508ID x1.00OD x.020
68	738-0930	1	/P	Shoulder Screw,.560 x.165
69	741-04108	1		Drive Axle Bushing
70	781-04078	1	S	Transmission Mounting Bracket
71	710-0597	1	/P	Screw, 1/4-20 x 1.00
72	712-04064	1	/P	Flange Lock Nut, 1/4-20
73	741-0124	1	S	Ball Bearing
74	750-1050	1		Flange Spacer,.260 x.659 x.517
75	754-0369	1	S	Belt, 3/8 x 32.5
76	781-04077	1	S	Idler Bracket
77	717-1762	1		Spur Gear - RH
78	717-1761	1		Spur Gear - LH
79	681-0156A	1	S	Handle Bracket Ass'y RH
80	681-0155A	1	S	Handle Bracket Ass'y LH
	723-0400	1	/P	Safety Glasses (Not Shown)