

SAFETY RECALL

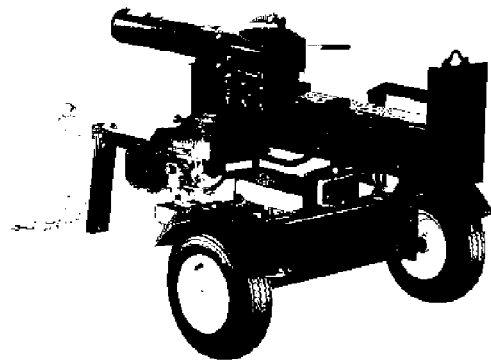
MTD, MTD GOLD, CUB CADET, TROY-BILT, CRAFTSMAN 21, 25, 27 and 33 TON LOGSPLITTERS

The Splitting Wedge may continue to move forward after the operator releases the Control Handle from the Forward position posing a risk of serious injury to the operator's hand and fingers.

Do not use the logsplitter until you have contacted Customer Service.

Models Affected

Brand Name	Model Number
MTD Gold	24BF510B004
MTD Gold	24BF510E204
MTD Gold	24BF570L004
MTD Gold	24BF570F204
Troy-Bilt	24BF572B766
Troy-Bilt	24AD597D766
Troy-Bilt	24BF572B711
Troy-Bilt	24AD597D711
Yard Machines	24BF552B729
Yard Machines	24BF550B029
Cub Cadet	24BF572B756
Cub Cadet	24BF572B710
Cub Cadet	24AD598A010
MTD	24BF550M006
Craftsman	247.7764
Craftsman	247.77641

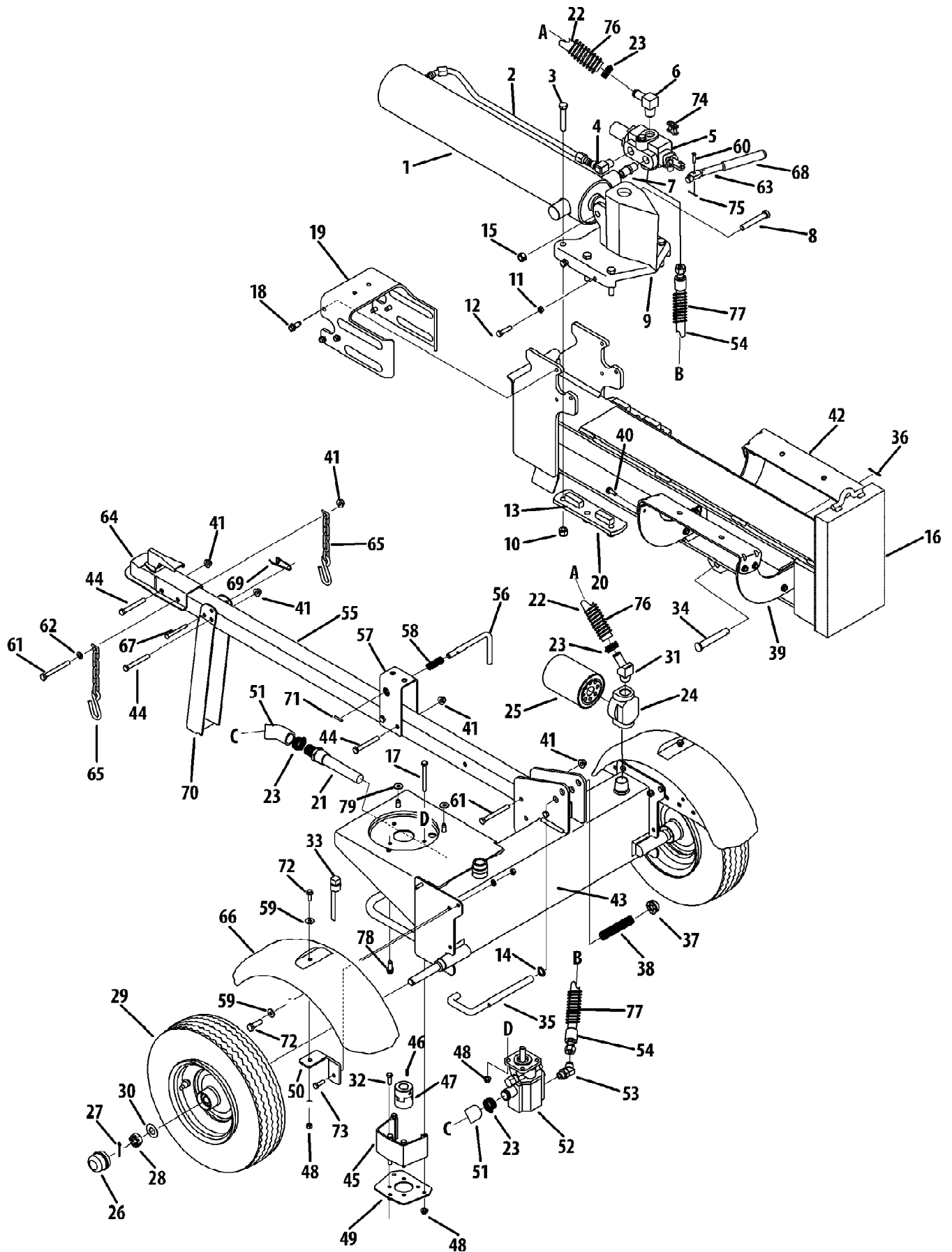


Sold between November 2008 and October 2009.

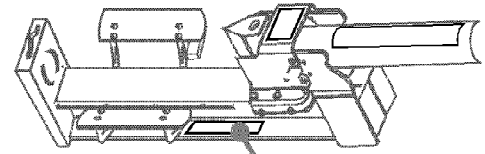
To receive free inspection instructions and repair, if needed, call
Customer Service toll-free between
8:00 AM and 5:00 PM EST Monday through Friday or
Saturday 10:00 AM to 3:00 PM EST

Call 1-888-848-6038
or speak with your authorized service dealer

In cooperation with the U.S. Consumer Product Safety Commission

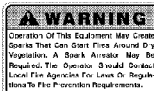


777D13645
Center On Cylinder



777S32605
On Bottom Edge Of Beam (Right Side) 1 inch
From Log Cradle Bracket- Facing Up

777S33200
Place Next to 777S33112,
Facing Out Towards
Tongue Stand



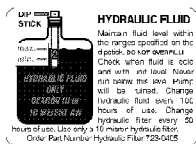
777S33112
On Top Of Tongue NEXT To Coupler Facing
Out Towards Tongue Stand



777S32061
On Front Of Dislodger



777I23022
Place Near Hydraulic Oil
Plug Facing Back



777X43902
Place Near Hydraulic Oil
Plug Facing Back



REF: If Ethanol Information
Is Not Supplied By Engine
Manufacturer, Place 777X43688
On Engine Close To Fuel Cap



Model Plate

777X43244



777I20798



