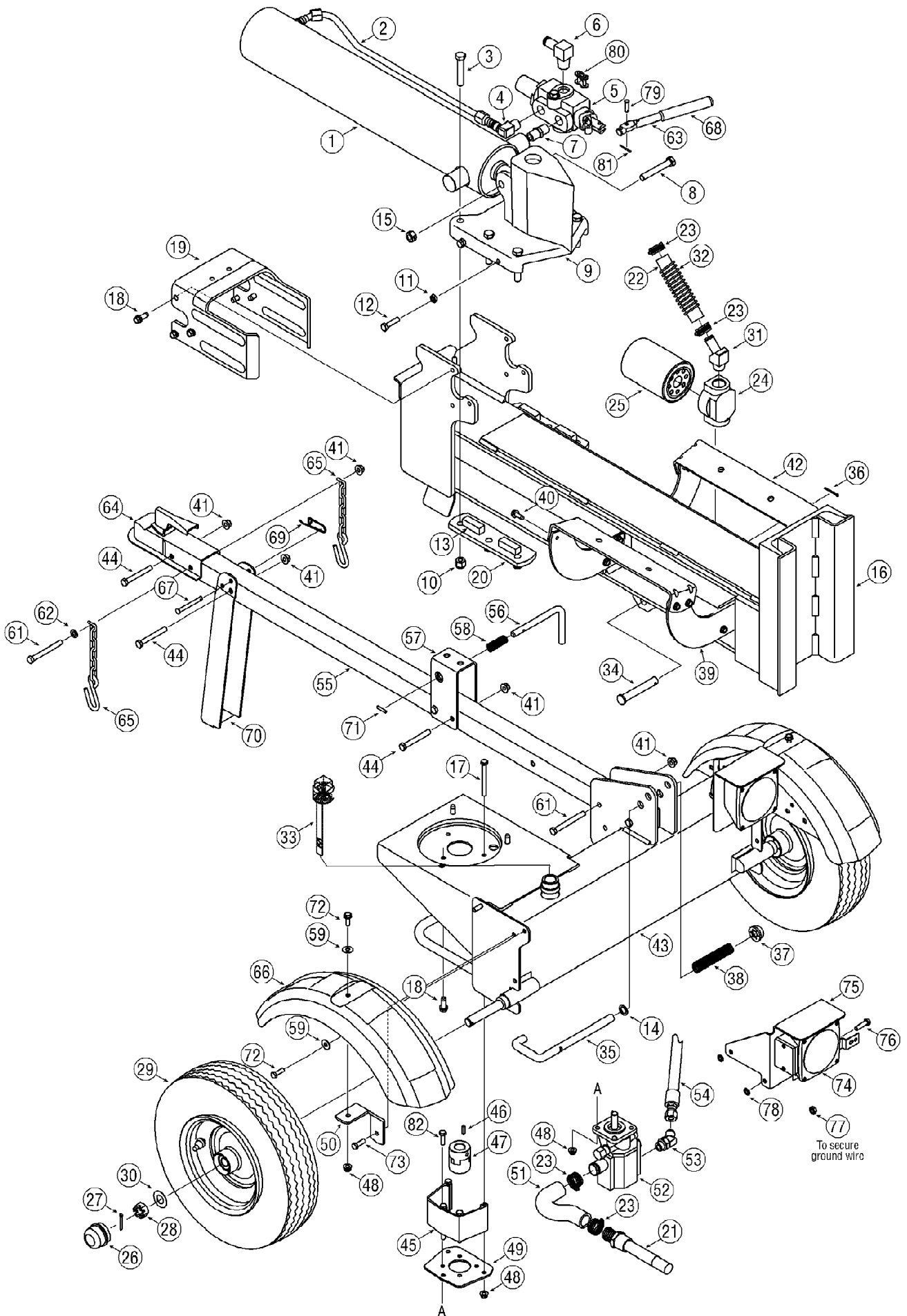
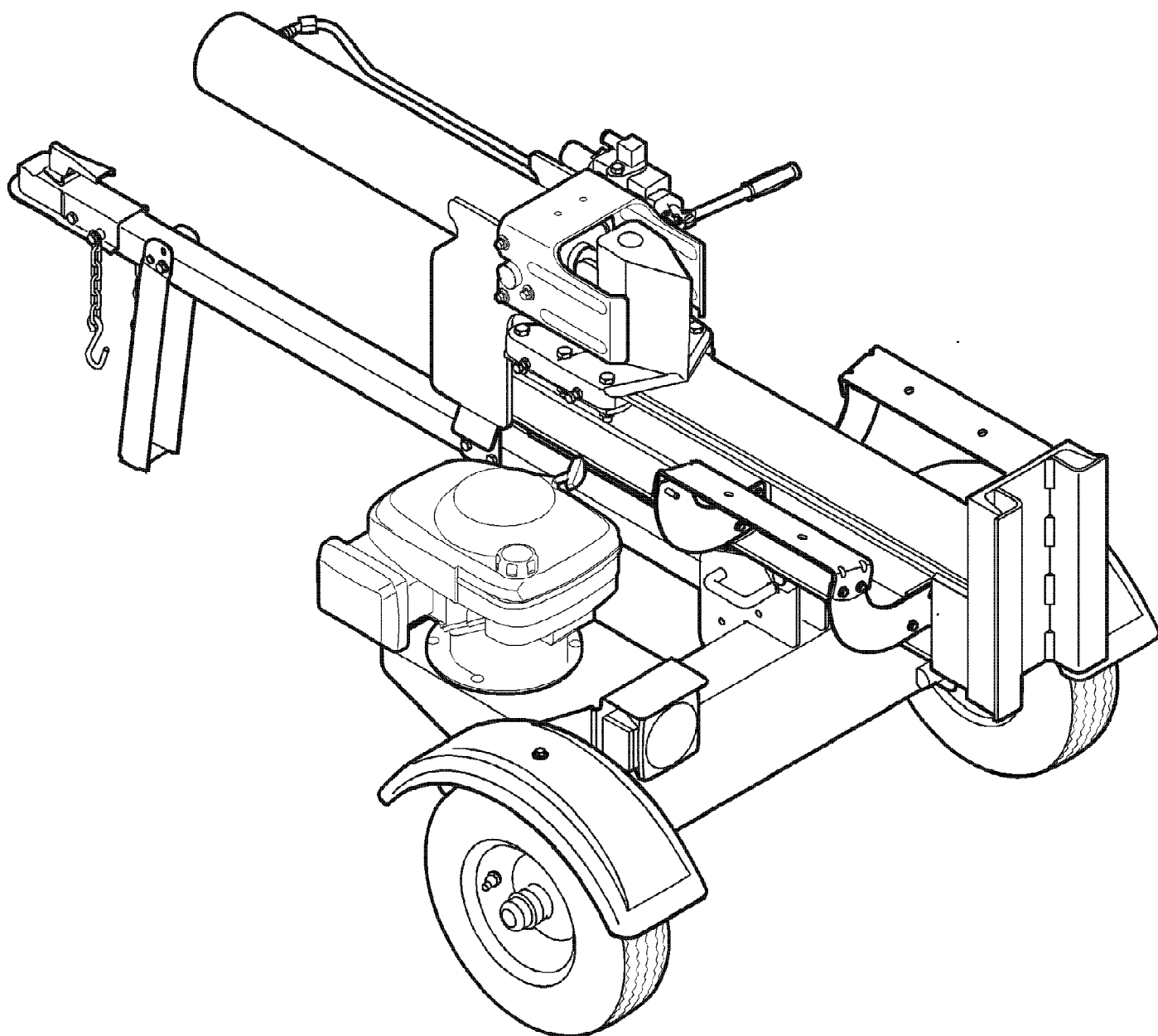


24BF572B711 LS27 Log Splitter (2006)
General Assembly

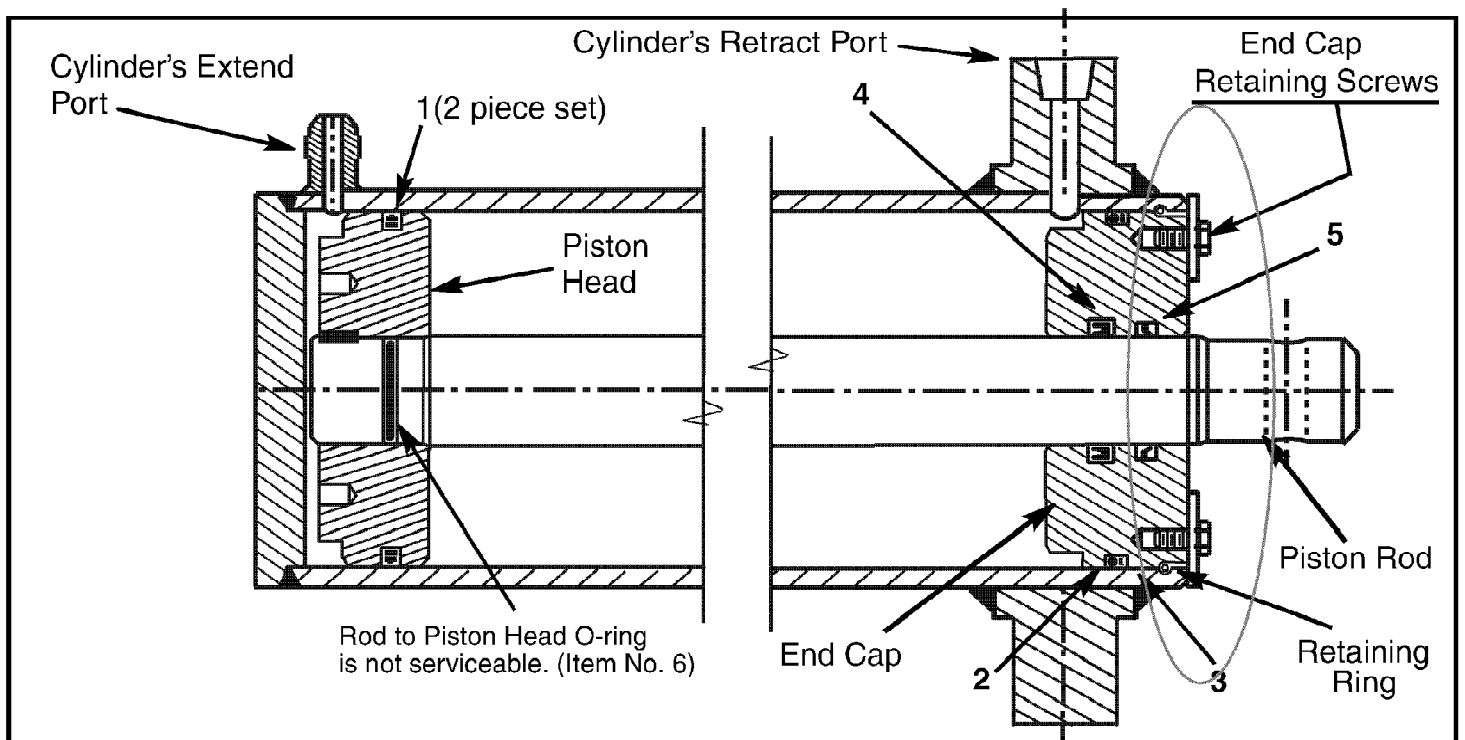


Ref #	Part Number	Qty	S/P/F	Description
1	718-0769A	1	S	Hydraulic Cylinder
1	953-05607	1	/P	Kit Seal 4.5" for XINGHUI cylinder See Service Kit 753-05607
1	953-05608	1	/P	Kit Seal 4.5" for ENERGY cylinder See Service Kit 753-05608
2	727-0634	1		Hydraulic Tube
3	710-1018	1	/P	Hex Cap Screw 1/2-20 x 2.75
4	737-0192	1	/P	90 Degree Solid Adapter
5	718-0481A	1	S	Control Valve
6	737-0153	1		Return Elbow
7	737-0238	1		Nipple Pipe 1/2-14
8	710-1806	1	/P	Hex Cap Screw 1/2-13 x 3.25
9	719-0550A	1	/P	Wedge Assembly
10	712-0239	1	S	Hex Lock Nut, 1/2-20
11	712-0711	1	/P	Hex Jam Nut 3/8-24
12	710-0459A	1	/P	Hex Cap Screw 3/8-24 x 1.5
13	781-0351	1	/P	Adjustable Gib
14	736-0116	1	S	Flat Washer.635 x.93 x.06
15	712-3022	1	/P	Hex Lock Nut 1/2-13
16	681-04071	1	S	Beam Assembly
17	710-3056	1		Hex Screw, 5/16-18 x 3.25
18	710-0654A	1	/P	Hex Washer Screw 3/8-16 x 1.0
19	781-1048A	1		Dislodger Bracket
20	781-0790	1	S	Back Plate
21	737-04093	1		Inlet Filter
22	727-0443	1		Return Hose 3/4" ID x 44" Lg.
23	726-0132	1	/P	Hose Clamp 5/8"
24	737-0316	1	/P	Filter Housing
25	723-0405	1	/P	Oil Filter
26	734-0873	1		Hub Cap
27	714-0162	1	/P	Cotter Pin
28	712-0359	1	/P	Slotted Nut 3/4-16
29	634-0186	1	/P	Wheel Assembly
29	941-04089	1	/P	Cone Bearing Not Shown
29	921-0168	1	/P	Grease Retainer Not Shown
30	736-0351	1	S	Flat Washer.760 ID x.500 OD
31	737-0312	1		Adapter 3/4-14
32	781-0526A	1		Hose Guard If Equipped
33	737-0348A	1	/P	Vented Dipstick
34	711-1587	1		Clevis Pin
35	781-0690	1		Lock Rod
36	714-0470	1	S	Cotter Pin
37	726-0214	1	/P	Push Cap
38	732-0583	1		Compression Spring
39	781-04180	1	S	Log Tray Bracket
40	710-0650	1	/P	TT Screw, 5/16-18 x.875
41	712-04065	1	/P	Flange Lock Nut, 3/8-16
42	781-04179	1	S	Log Tray
43	681-04040	1		Frame Assembly
44	710-0521	1	/P	Hex Bolt 3/8-16 x 3"
45	719-0353	1		Coupling Shield
46	714-0122	1	S	Square Key 3/16" x.75

Ref #	Part Number	Qty	S/P/F	Description
47	718-04145	1	S	Flexible Coupling
47	718-04392	1		Coupling .5 Engine Side Not shown
47	718-04395	1		Coupling .875 Pump Side Not shown
47	735-04103	1		Bushing, Spider Coupling Not shown
47	710-1842	1		Set Screw Not shown
48	712-04063	1	/P	Flange Lock Nut, 5/16-18
49	781-0097	1	S	Rear Coupling Support Bracket
50	781-1024	1	S	Fender Mounting Bracket
51	727-04130	1	/P	Hose
52	718-04127	1	S	Gear Pump
53	737-0329	1		45 Degree Elbow Fitting
54	727-0502	1		High Pressure Hydraulic Hose
55	781-0788	1		Tongue Assembly
56	747-1261	1		Latch Rod
57	781-1045	1		Latch
58	732-3127	1	S	Compression Spring
59	736-0371	1	/P	Flat Washer
61	710-3085	1	/P	Hex Cap Screw, 3/8-16 x 3.50
62	736-0185	1	S	Flat Washer,.375 x.738 x.063
63	747-04539	1		Hydraulic Valve Control
64	681-04030	1		Hitch Coupling Assembly
65	713-0433A	1	/P	Chain
66	731-2499A	1	/P	Fender
67	711-0813	1	S	Clevis Pin
68	720-04088	1	/P	Grip
69	732-0194	1		Spring Pin
70	781-0789	1		Jack Stand
71	715-0120	1	S	Spiral Pin
72	710-0650	1	/P	TT Screw, 5/16-18 x 0.875"
73	710-0602	1	/P	TT Screw, 5/16-18 x 1.00
74	625-0062	1		Tail Light Kit If Equipped
74	725-2058	1		RH Taillight Assembly Not shown
74	725-2059	1		LH Taillight Assembly Not shown
74	725-2060	1		Wiring Harness Not shown
75	681-0164	1	S	Light Bracket - LH If Equipped
75	781-1027	1	S	Light Bracket - RH If Equipped
76	710-0874	1	/P	Screw, 5/16-18 x 1.25 If Equipped
77	712-3008	1	S	Jam Nut, 3/8-16 If Equipped
78	726-0201	1		Speed Nut, .3125 ID If Equipped
79	711-04585	1		Clevis Pin
80	713-04036	1	S	Valve Handle Link
81	714-0111	1	S	Cotter Pin
82	710-0376	1	/P	Hex Screw, 5/16-18 x 1.00
	781-0538A	1	/P	Hose Guard If Equipped, Not Shown



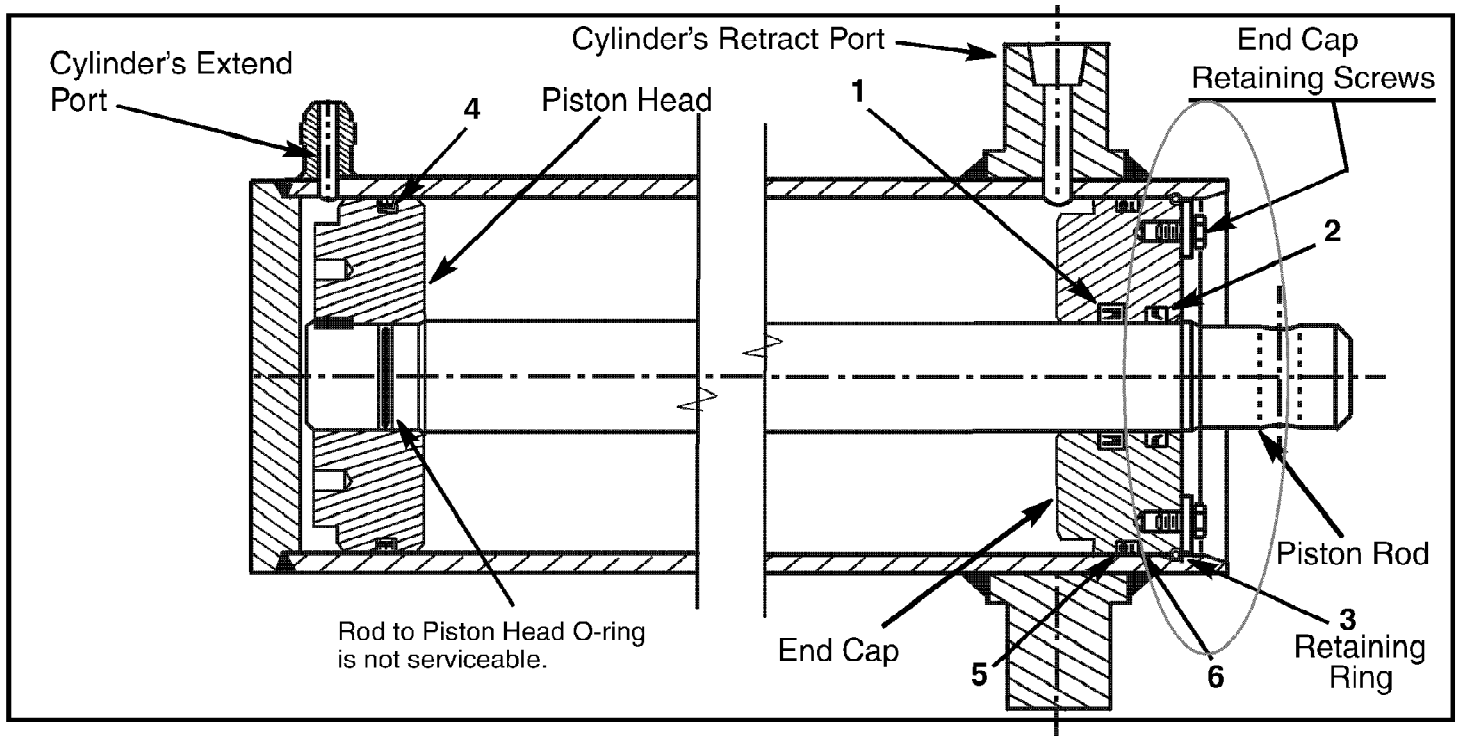
Ref #	Part Number	Qty	S/P/F	Description
	490-250-0009	1		Spark Plug
	N/A	1		Pre Filter
	17211-ZL8-023	1		Air Filter
	N/A	1		Fuel Filter
	718-0769A	1	S	Cylinder Assembly XINGHUI or ENERGY
	953-05607	1	/P	Kit Seal 4.5" XINGHUI See Service Kit 753-05607
	953-05608	1	/P	Kit Seal 4.5" ENERGY See Service Kit 753-05608
	723-0405	1	/P	Hydraulic Filter
	737-04093	1		Inlet Filter
	737-0348A	1	/P	Vented Dipstick
	718-04145	1	S	Flexible Coupling
	781-0351	1	/P	Adjustable Gibbs
	747-04539	1		Hydraulic Valve Control
	720-04088	1	/P	Grip
	713-04036	1	S	Valve Handle Link
	713-0433A	1	/P	Chain Hitch
	634-0186	1	/P	Wheel Assembly
	734-0873	1		Hub Cap



24BF572B711 LS27 Log Splitter (2006)
Service Kit 753-05607

Page 7 of 9

Ref #	Part Number	Qty	S/P/F	Description
1	N/A	1		Piston Seal: 2 piece set (White outer ring w/ black flat under ring) Not Available Separately
2	N/A	1		O-ring (Large, Black) Not Available Separately
3	N/A	1		Backup Ring (Black) Not Available Separately
4	N/A	1		Rod-Guide U-Cup (Dark Blue) Not Available Separately
5	N/A	1		Scraper: Rod (Black) Not Available Separately
6	N/A	1		O-ring (Small, Black) NOT USED Not Available Separately
7	N/A	1		THIS INSTRUCTION SHEET Not Available Separately



24BF572B711 LS27 Log Splitter (2006)
Service Kit 753-05608

Page 9 of 9

Ref #	Part Number	Qty	S/P/F	Description
1	N/A	1		Zurcon U-Cup RU3 (Blue) Not Available Separately
2	N/A	1		Scraper DA17 (Black) Not Available Separately
3	N/A	1		Retaining-Ring (Metal) Not Available Separately
4	N/A	1		Zurcon Wynseal (Blue) Not Available Separately
5	N/A	1		O-Ring (Black) Not Available Separately
6	N/A	1		Back-up Ring (White) Not Available Separately
7	N/A	1		THIS INSTRUCTION SHEET Not Available Separately