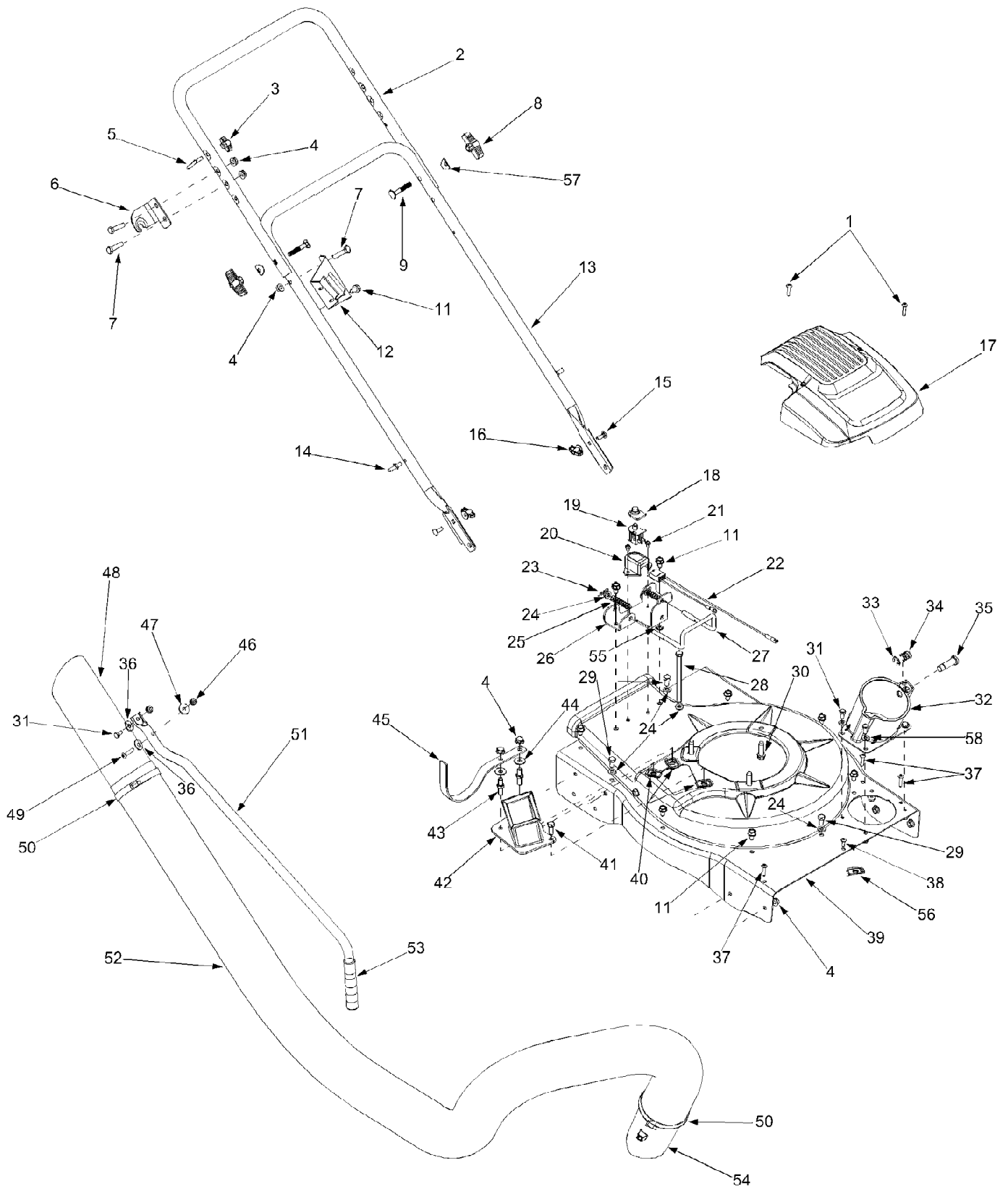


24B-060F063 CSV065 Chipper Shredder (2004)
Frame & Handle



24B-060F063 CSV065 Chipper Shredder (2004)
Frame & Handle

Page 2 of 6

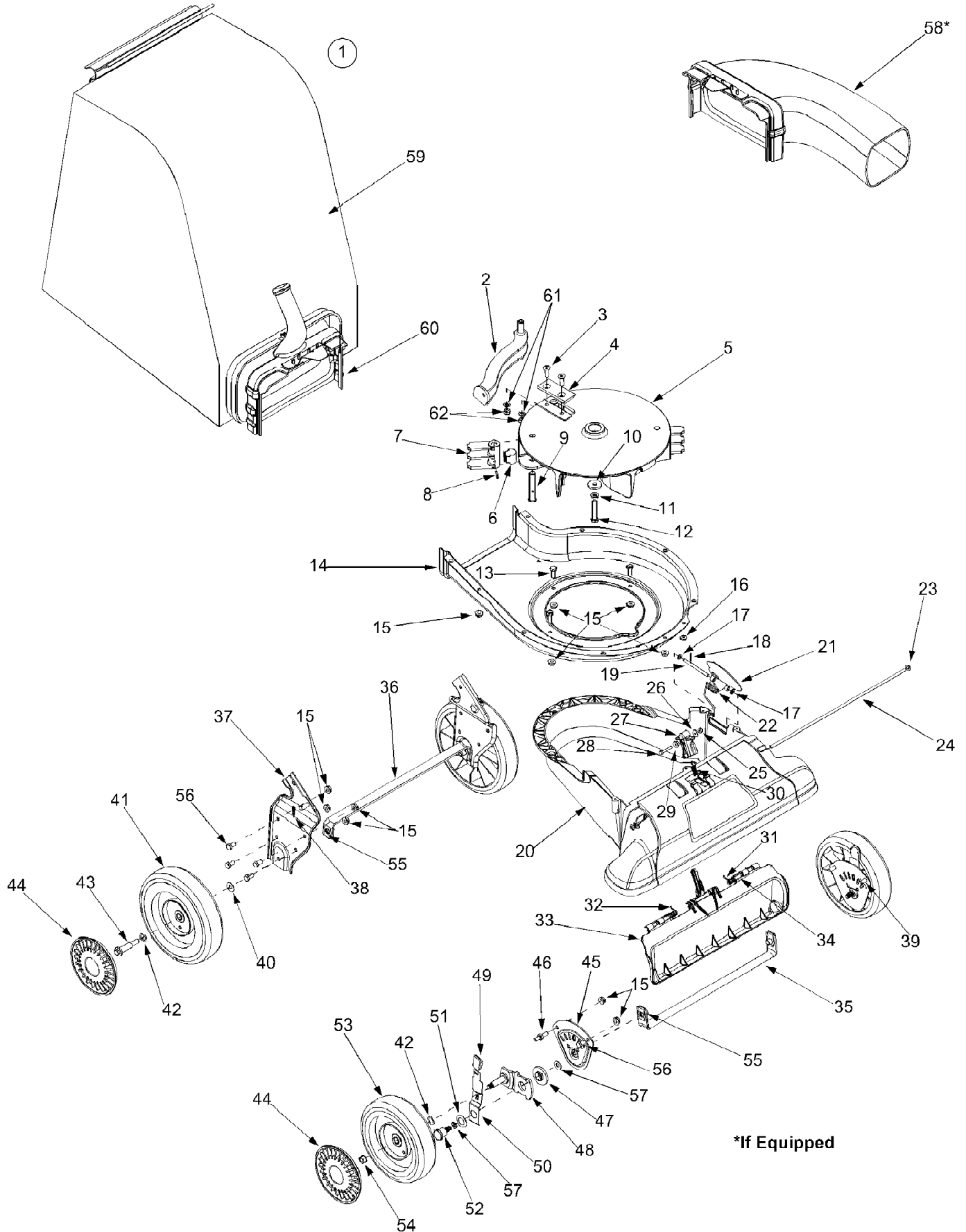
| Ref # | Part Number | Qty | S/P/F | Description |
|-------|-------------|-----|-------|--------------------------------|
| 1 | 710-1256 | 1 | /P | Screw #8-18 x 1.25 |
| 2 | 749-0438D | 1 | S | Upper Handle |
| 3 | 720-0279 | 1 | /P | Knob |
| 4 | 712-3004A | 1 | /P | Flange Lock Nut 5/16-18 |
| 5 | 710-1205 | 1 | /P | Eye Bolt |
| 6 | 781-1056 | 1 | S | Upper Handle Bracket |
| 7 | 710-0528 | 1 | /P | Hex Cap Screw 5/16-18 x 1.25 |
| 8 | 720-0241 | 1 | S | Handle Knob 5/16-18 |
| 9 | 710-1174 | 1 | /P | Carriage Bolt |
| 11 | 710-0604A | 1 | /P | Hex Washer Screw 5/16-18 x.625 |
| 12 | 681-0174 | 1 | S | Lower Handle Bracket |
| 13 | 749-0907B | 1 | /P | Lower Handle |
| 14 | 711-1293 | 1 | /P | Studs |
| 15 | 710-0703 | 1 | /P | Carriage Screw 1/4-20 x.75 |
| 16 | 712-0397 | 1 | S | Wing Nut 1/4-20 |
| 17 | 751B282611 | 1 | S | Shroud |
| 18 | 725-1700 | 1 | S | Switch Cover |
| 19 | 725-3166 | 1 | S | Safety Switch |
| 20 | 731-1613 | 1 | S | Safety Switch Cover |
| 21 | 710-0224 | 1 | S | Hex Washer Screw #10-16 x.50 |
| 22 | 629-0920 | 1 | S | Wire Harness |
| 23 | 714-0104 | 1 | S | Cotter Pin |
| 24 | 736-0264 | 1 | S | Flat Washer.330 ID x.630 OD |
| 25 | 732-0962 | 1 | | Compression Spring |
| 26 | 781-0778A | 1 | S | Switch Mounting Bracket |
| 27 | 747-1153 | 1 | | Lock Rod |
| 28 | 710-3195 | 1 | | Hex Cap Screw 5/16-18 x 4.5 |
| 29 | 710-3025 | 1 | /P | Hex Cap Screw 5/16-18 x.625 |
| 30 | 710-0502A | 1 | /P | Hex Washer Screw 3/8-16 x 1.25 |
| 31 | 710-0751 | 1 | /P | Hex Cap Screw 1/4-20 x.620 |
| 32 | 731-2484 | 1 | S | Hose Base Adapter |
| 33 | 716-0104 | 1 | S | E Ring.500 Dia |
| 34 | 732-3035 | 1 | S | Compression Spring |
| 35 | 711-1571 | 1 | | Clevis Pin |
| 36 | 736-3020 | 1 | S | Flat Washer.271 ID x.630 OD |
| 37 | 710-0969 | 1 | /P | Screw #12-16 x 1.0 |
| 38 | 710-0351 | 1 | /P | Machine Screw #10 - 16 x.500 |
| 39 | 781-1042 | 1 | | Upper Flail Housing |
| 40 | 726-0454 | 1 | | U-Clip Lock Nut 5/16-18 |
| 41 | 710-3008 | 1 | /P | Hex Cap Screw 5/16-18 x.75 |
| 42 | 681-0122 | 1 | | Chipper Chute Assembly |
| 43 | 738-1167 | 1 | S | Stud 5/16-18 x.56 |
| 44 | 736-0371 | 1 | /P | Flat Washer.343 ID x.880 OD |
| 45 | 781-1058 | 1 | S | Hose Hanger Bracket |
| 46 | 712-3027 | 1 | S | Hex Flange Nut 1/4-20 |
| 47 | 748-0457 | 1 | | Spacer |
| 48 | 731-2478 | 1 | | Hose Nozzle |
| 49 | 710-3288 | 1 | | Hex Cap Screw 1/4-20 x 2.625 |
| 50 | 723-0295 | 1 | /P | Adjustment Clamp |
| 51 | 749-1270 | 1 | S | Nozzle Handle |
| 52 | 764-0648 | 1 | S | Vacuum Hose |
| 53 | 07071 | 1 | /P | Handle Grip |
| 54 | 731-2292 | 1 | | Hose Adapter |

24B-060F063 CSV065 Chipper Shredder (2004)
Frame & Handle

Page 3 of 6

| Ref # | Part Number | Qty | S/P/F | Description |
|-------|-------------|-----|-------|----------------------------|
| 55 | 736-0607 | 1 | /P | External L-Washer 5/16 |
| 56 | 726-0139 | 1 | /P | Speed Nut |
| 57 | 736-0451 | 1 | S | Saddle Washer |
| 58 | 736-0173 | 1 | /P | Flat Washer.28 x.74 x.063 |
| 59 | 723-0400 | 1 | /P | Safety Glasses (Not Shown) |

24B-060F063 CSV065 Chipper Shredder (2004)
Impeller Assembly



24B-060F063 CSV065 Chipper Shredder (2004)
Impeller Assembly

Page 5 of 6

| Ref # | Part Number | Qty | S/P/F | Description |
|-------|-------------|-----|-------|--------------------------------|
| 1 | 664-0095 | 1 | S | Bag Assembly |
| 2 | 681-0154 | 1 | S | Screen Assembly |
| 3 | 710-1054 | 1 | /P | Hex Screw 5/16-24 x 1.0 |
| 4 | 781-0490 | 1 | S | Chipper Blade |
| 5 | 681-0152 | 1 | S | Impeller Assembly |
| 6 | 781-0735 | 1 | | Pin Clip |
| 7 | 719-0329 | 1 | | Flail Blade |
| 8 | 715-0166 | 1 | | Spiral Pin |
| 9 | 711-1401 | 1 | | Clevis Pin |
| 10 | 736-0247 | 1 | /P | Flat Washer.375 ID x 1.25 OD |
| 11 | 736-0217 | 1 | S | Lock Washer 3/8 |
| 12 | 710-0818 | 1 | /P | Hex Cap Screw 3/8-24 x 2.0 |
| 13 | 710-1238 | 1 | /P | Hex Cap Screw 5/16-18 x.875 |
| 14 | 781-0721A | 1 | S | Lower Flail Housing |
| 15 | 712-3004A | 1 | /P | Flange Lock Nut 5/16-18 |
| 16 | 712-3027 | 1 | S | Hex Flange Nut 1/4-20 |
| 17 | 736-0142 | 1 | S | Flat Washer.281 ID x.50 OD |
| 18 | 714-0225 | 1 | /P | Cotter Pin |
| 19 | 711-1560 | 1 | | Pivot Rod |
| 20 | 731-2293 | 1 | S | Nozzle |
| 21 | 781-1064 | 1 | | Adapter Base Door |
| 22 | 732-1156 | 1 | | Torsion Spring |
| 23 | 726-0106 | 1 | S | Cap Speed Nut 1/4 |
| 24 | 711-1551 | 1 | | Pivot Rod |
| 25 | 712-0161 | 1 | /P | Hex Lock Nut #10-24 |
| 26 | 736-0400 | 1 | S | Flat Washer.194 ID x.62 OD |
| 27 | 731-2485 | 1 | S | Nozzle Door Lever |
| 28 | 710-1156 | 1 | /P | Hex Screw #10-24 x 1.25 |
| 29 | 750-1294 | 1 | | Shoulder Spacer |
| 30 | 732-3118 | 1 | | Extension Spring |
| 31 | 732-1151 | 1 | | Torsion Spring LH |
| 32 | 732-1150 | 1 | | Torsion Spring RH |
| 33 | 731-2294 | 1 | S | Nozzle Door |
| 34 | 711-1582 | 1 | | Rod.25 x 1.25 Lg |
| 35 | 781-0725A | 1 | S | Front Wheel Support Brace |
| 36 | 781-0777 | 1 | S | Rear Wheel Support Brace |
| 37 | 681-0156 | 1 | | Handle Bracket Assy. RH |
| | 681-0155 | 1 | | Handle Bracket Assy. LH |
| 38 | 714-0104 | 1 | S | Cotter Pin |
| 39 | 710-3025 | 1 | /P | Hex Cap Screw 5/16-18 x.625 |
| 40 | 736-0105 | 1 | /P | Bell Washer.401 ID x.870 OD |
| 41 | 734-04007 | 1 | | Rear Wheel 9 x 2.125 |
| 42 | 736-0232 | 1 | S | Wave Washer.531 ID x.781 OD |
| 43 | 738-1015 | 1 | | Shoulder Screw 3/8-16 |
| 44 | 731-0981A | 1 | S | Hubcap |
| 45 | 781-0785 | 1 | S | Height Adjustment Bracket |
| 46 | 738-1185 | 1 | | Stud 5/16-18.56 x.75 |
| 47 | 741-0751 | 1 | /P | Height Adjustment Bearing |
| 48 | 682-0113 | 1 | | Pivot Arm Assembly |
| 49 | 720-0426 | 1 | /P | Height Adjustment Knob |
| 50 | 732-1026 | 1 | | Spring Lever |
| 51 | 736-0741 | 1 | /P | Bell Washer.760 ID x.25 OD |
| 52 | 738-1173 | 1 | | Shoulder Screw.750 ID x.625 OD |

24B-060F063 CSV065 Chipper Shredder (2004)
Impeller Assembly

Page 6 of 6

| Ref # | Part Number | Qty | S/P/F | Description |
|-------|-------------|-----|-------|------------------------------|
| 53 | 734-2004A | 1 | S | Front Wheel 8 x 2.125 |
| 54 | 712-0431 | 1 | S | Flange Lock Nut 3/8-16 |
| 55 | 726-0453 | 1 | | Lock Nut 3/8-16 |
| 56 | 710-1260A | 1 | /P | Screw 5/16-18 x.750 |
| 57 | 736-0314 | 1 | S | Thrust Washer.375 ID x.70 OD |
| 58 | OEM-290-012 | 1 | /P | Blower Chute (If Equipped) |
| 59 | 764-0632 | 1 | S | Bag |
| 60 | 631-0083 | 1 | | Chute Assembly |
| 61 | 736-0119 | 1 | S | Lock Washer 5/16 |
| 62 | 712-0411 | 1 | S | Hex Lock Nut 5/16-24 |