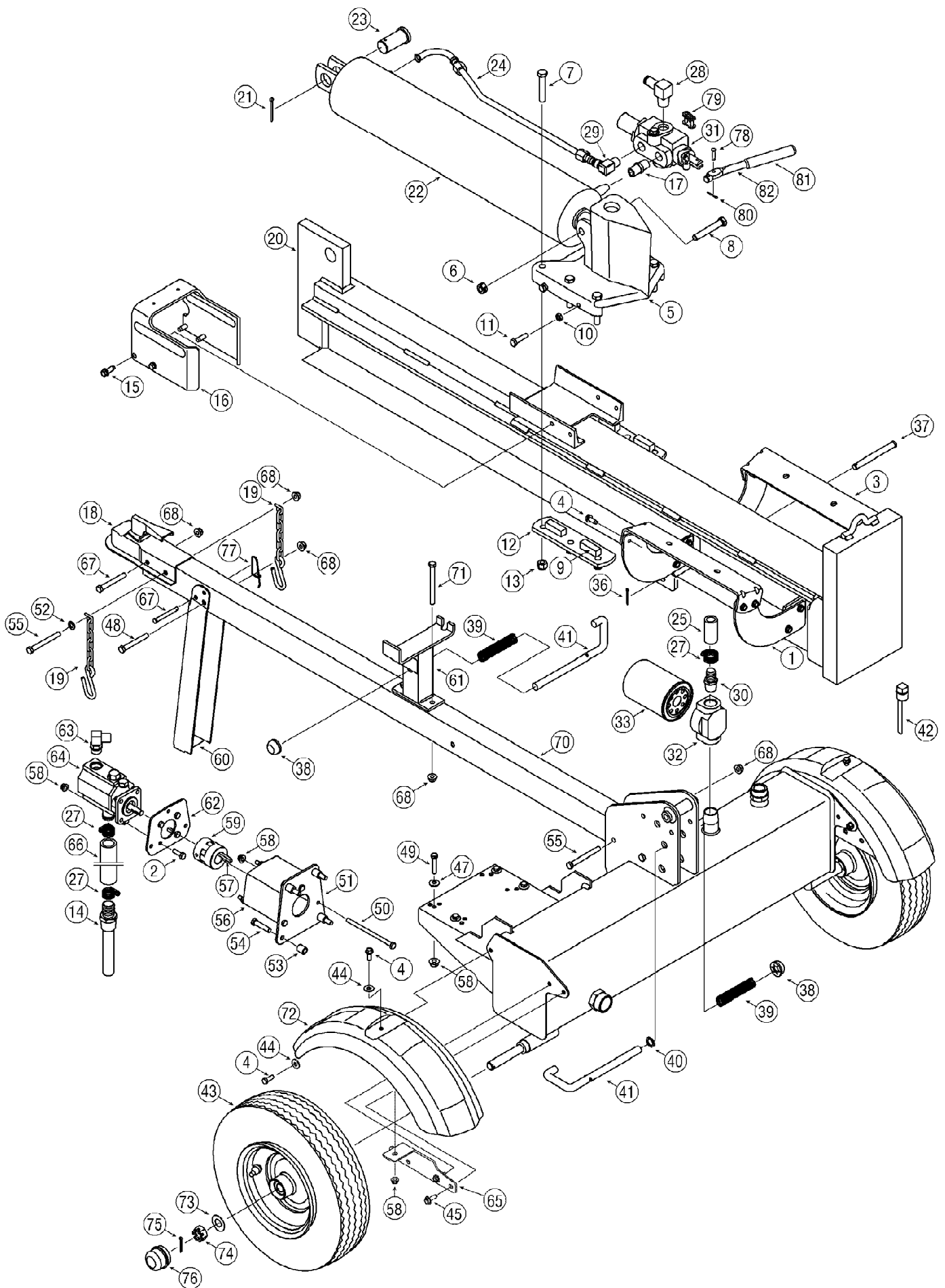
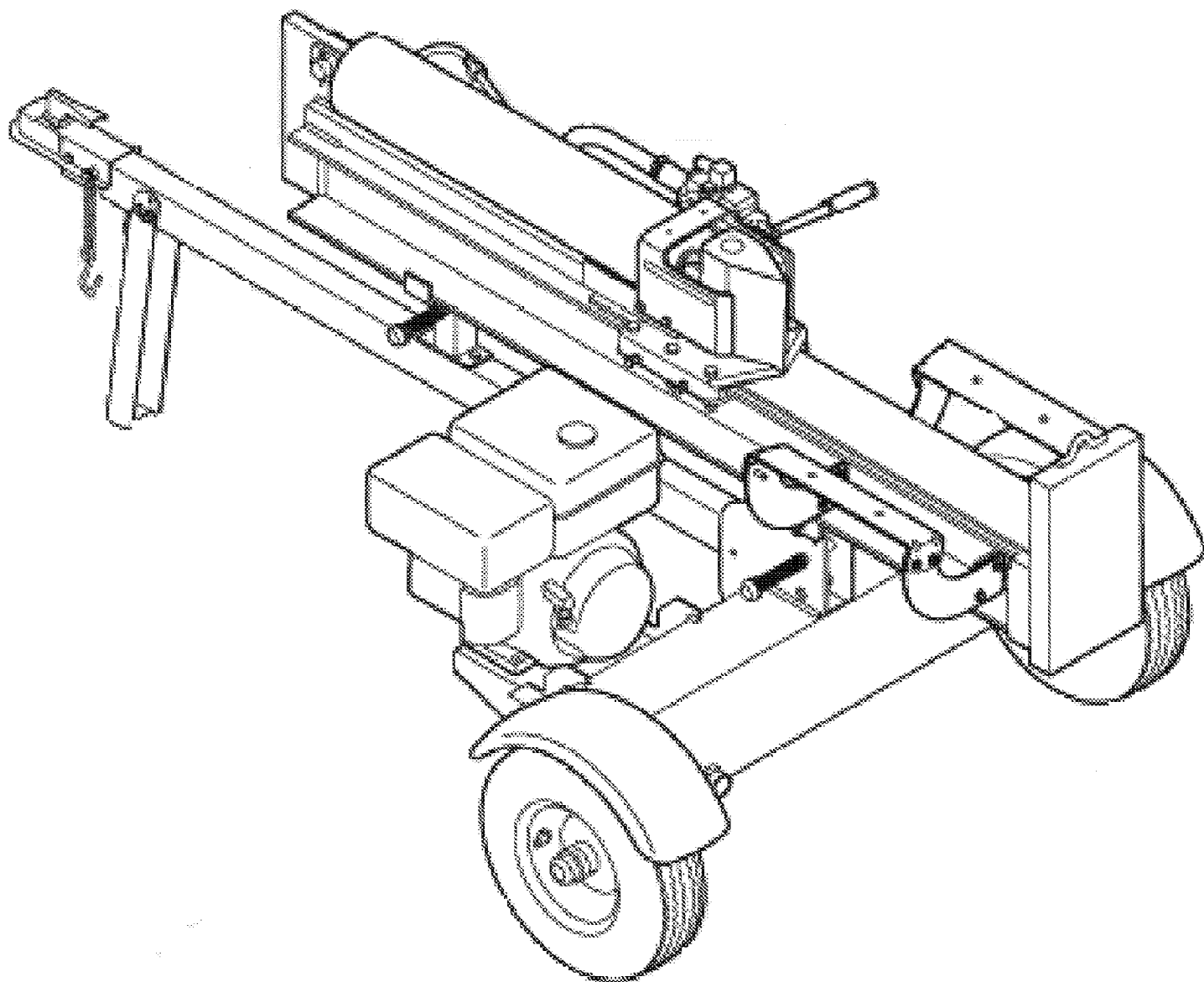


24AD597D711 LS33T Log Splitter (2007)
General Assembly



Ref #	Part Number	Qty	S/P/F	Description
1	781-04180	1	S	Log Tray Bracket
2	710-0376	1	/P	Hex Screw, 5/16-18 x 1.00
3	781-04179	1	S	Log Tray Bracket
4	710-0650	1	/P	Self-tap Screw, 5/16-18 x .875
5	719-0550A	1	/P	Wedge Assembly
6	712-3022	1	/P	Lock Nut 1/2-13
7	710-1018	1	/P	Hex Cap Screw 1/2-20 x 2.75
8	710-1806	1	/P	Hex Cap Screw 1/2-13 x 3.25
9	781-0351	1	/P	Adjustable Gib
10	712-0711	1	/P	Hex Jam Nut 3/8-24
11	710-0459A	1	/P	Hex Cap Screw 3/8-24 x 1.5
12	781-0790	1	S	Back Plate
13	712-3058	1		Hex Lock Nut, 1/2-20
14	737-04093	1		Inlet Filter
15	710-0654A	1	/P	Hex Washer Screw 3/8-16 x 1.0
16	781-0525	1		Dislodger
17	737-0238	1		Pipe Nipple (if equipped)
18	681-04030	1		Hitch Coupler, 2-inch
19	713-0433A	1	/P	Chain
20	681-04080	1	S	Beam Assembly
21	714-0211	1		Cotter Pin
22	718-0313	1	S	Hydraulic Cylinder
23	711-1135	1		Clevis Pin
24	727-04166	1		Hydraulic Tube
25	727-0443	1		Return Hose 3/4" ID x 44"
26	781-0526A	1		Hose Guard
27	726-0132	1	/P	Hose Clamp 5/8"
28	737-0153	1		Return Elbow
29	737-0192	1	/P	90 Degree Solid Male Adapter
30	737-0235	1		3/4" Hose Adapter
31	718-0481A	1	S	Control Valve
32	737-0316	1	/P	Filter Housing
33	723-0405	1	/P	Oil Filter
34	727-0502	1		High Pressure Hydraulic Hose
35	781-0538A	1	/P	Hose Guard
36	714-0470	1	S	Cotter Pin 1/8"
37	738-0805	1		Hinge Pin 1/2 x 4.8" Lg.
38	726-0214	1	/P	Push Cap
39	732-0583	1		Compression Spring 4"
40	736-0116	1	S	Flat Washer .635 ID x .93 OD
41	781-0690	1		Locking Rod
42	737-0348A	1	/P	Vented Dipstick
43	634-0186	1	/P	Wheel Assembly
43	941-04089	1	/P	Cone Bearing Not Shown
43	921-0168	1	/P	Grease Retainer Not Shown
44	736-0371	1	/P	Flat Washer, .343 x .880 x .062
45	710-0602	1	/P	Self-tap Screw, 5/16-18 x 1.00
46	681-04041A	1	S	Frame Assembly 7.0 Gal
47	736-0242	1	/P	Bell Washer, 340 x .872 x .060
48	710-0521	1	/P	Hex Cap Screw 3/8-16 x 3.00
49	710-3180	1	/P	Hex Cap Screw 5/16-18 x 1.75
50	710-3226	1		Hex Cap Screw 5/16-18 x 5.50
51	781-1100	1	S	Front Support Bracket Coupling

Ref #	Part Number	Qty	S/P/F	Description
52	736-0185	1	S	Flat Washer, .375 x .738 x .063
53	711-0396	1	/P	Spacer, .385 x .623 x .750
54	710-0347	1	/P	Hex Cap Screw 3/8-16 x 1.75
55	710-3085	1	/P	Hex Cap Screw 3/8-16 x 3.50
56	719-0315	1		Coupling Shield
57	714-0114	1	S	Key
58	712-04063	1	/P	Hex Flange Lock Nut, 5/16-18
59	718-04135	1	S	Flex Coupling
59	718-04392	1		Coupling .5 Engine Side not shown
59	718-04393	1		Coupling 1.0 Pump Side not shown
59	735-04103	1		Bushing, Spider Coupling not shown
59	710-1842	1		Set Screw not shown
60	781-0162	1		Jack Stand
61	681-0110	1	S	Support Beam Assembly
62	781-0097	1	S	Rear Coupling Support Bracket
63	737-0264	1		Adapter 7/8-14
64	718-04128	1	S	Pump
65	781-04174	1	S	Fender Mounting Bracket
66	727-0451	1		Suction Hose
67	711-0813	1	S	Clevis Pin, 5/16 x 2.5
68	712-04065	1	/P	Flange Lock Nut, 3/8-16
69	736-0169	1	S	Lock Washer 3/8
70	781-0680B	1	/P	Tube
71	710-0411	1	/P	Hex Cap Screw 3/8-16 x 4.0
72	731-2496A	1		Fender
73	736-0351	1	S	Flat Washer .76" ID x 1.5" OD
74	712-0359	1	/P	Slotted Nut 3/4-16
75	714-0162	1	/P	Cotter Pin 5/32" x 1-1/4"
76	734-0873	1		Hub Cap
77	732-0194	1		Spring Pin
78	711-04585	1		Clevis Pin
79	713-04036	1	S	Valve Handle Link
80	714-0111	1	S	Cotter Pin
81	720-04088	1	/P	Grip
82	747-04539	1		Hydraulic Valve Control



24AD597D711 LS33T Log Splitter (2007)
Quick Reference

Page 5 of 5

Ref #	Part Number	Qty	S/P/F	Description
	490-250-0009	1		Spark Plug
	17218-ZE2-505	1		Pre Filter
	17210-ZE2-515	1		Air Filter
	17672-ZE2-W01	1		Fuel Filter
	723-0405	1	/P	Hydraulic Filter
	737-04093	1		Inlet Filter
	737-0348A	1	/P	Vented Dipstick
	918-04135	1	/P	Flexible Coupling
	781-0351	1	/P	Adjustable Gibbs
	NA	1		Belt
	747-04539	1		Hydraulic Valve Control
	720-04088	1	/P	Grip
	913-04036	1	/P	Valve Handle Link
	713-0433A	1	/P	Chain
	734-0873	1		Hub Cap
	634-0186	1	/P	Wheel Assembly