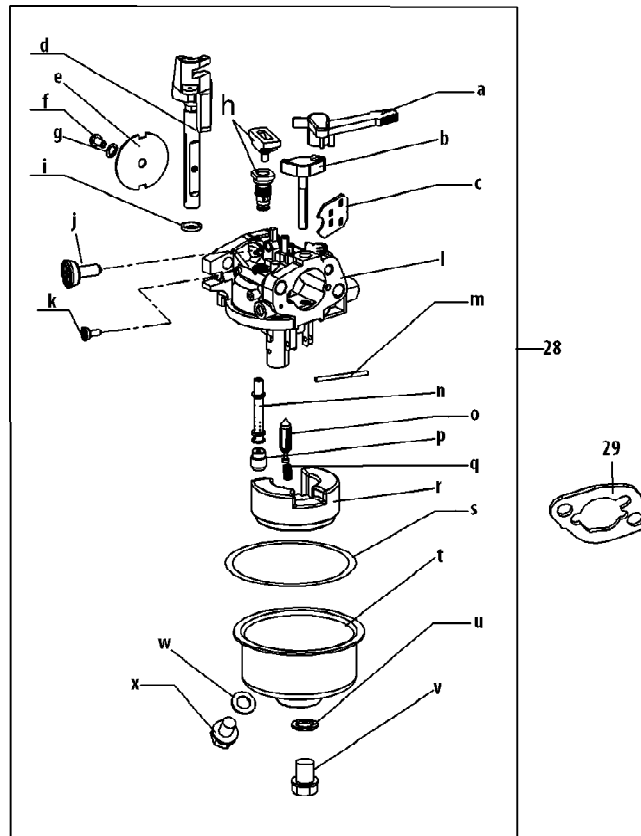


24A-67M3011 Jet Sweeper Vac (2010)
170-C0A Air Cleaner Assembly

Page 2 of 16

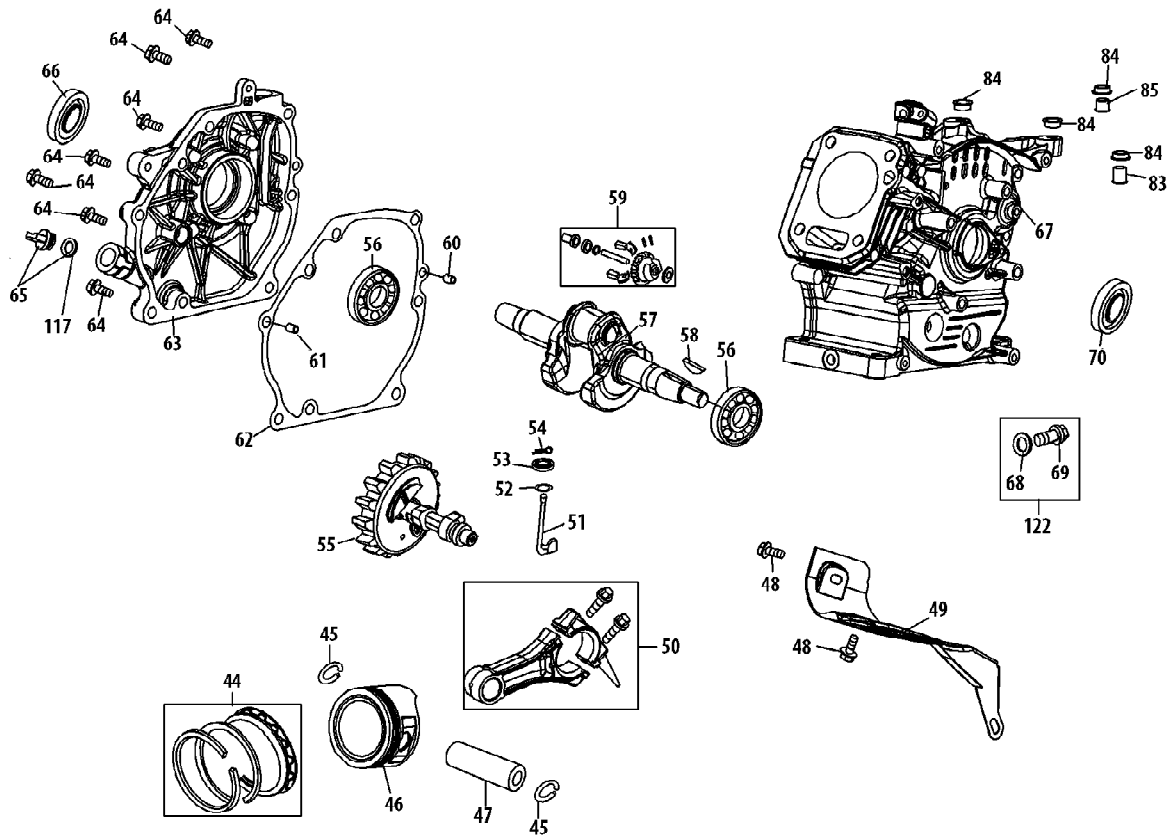
Ref #	Part Number	Qty	S/P/F	Description
30	951-10806	1	/P	Air Cleaner Housing
31	712-04949	2		Nut
32	710-05102	2		Self-Tapping Bolt M4.2x16
34	951-12135	1	/P	Silencer Plate
36	951-10794	1	/P	Air Cleaner Assembly (Filter)
37	951-12136	1	/P	Air Cleaner Cover



24A-67M3011 Jet Sweeper Vac (2010)
170-C0A Carburetor

Page 4 of 16

Ref #	Part Number	Qty	S/P/F	Description
28	951-12124	1	/P	Carburetor Assembly
29	951-11571	1	/P	Carburetor Gasket Plate
a		1		Control Lever, Choke
b		1		Choke Shaft
c		1		Choke Plate
d		1		Throttle Shaft
e		1		Throttle Plate
f		1		Screw M3x5
g		1		Lock Washer
h		1		Idle Jet Assembly
i		1		Gasket, Throttle Plate
j		1		Idle Speed Adjusting Screw
k		1		Mixture Screw
l		1		Carburetor Body
m		1		Float Pin
n		1		Emulsion Tube
o		1		Needle Valve
p		1		Main Jet
q		1		Needle Valve Spring
r		1		Float
s	951-11589	1	/P	Fuel Bowl Gasket
t		1		Fuel Bowl
u	951-11348	1	/P	Fuel Bowl Gasket
v	710-04945	1		Fuel Bowl Mounting Bolt
w	951-11349	1	/P	Fuel Drain Plug Gasket
x	710-04938	1	/P	Fuel Drain Plug
	951-12119	1	/P	Carburetor Repair Kit - Major (Incl. Ref No. m,n,o,p,q,r,s,u,w) Not shown

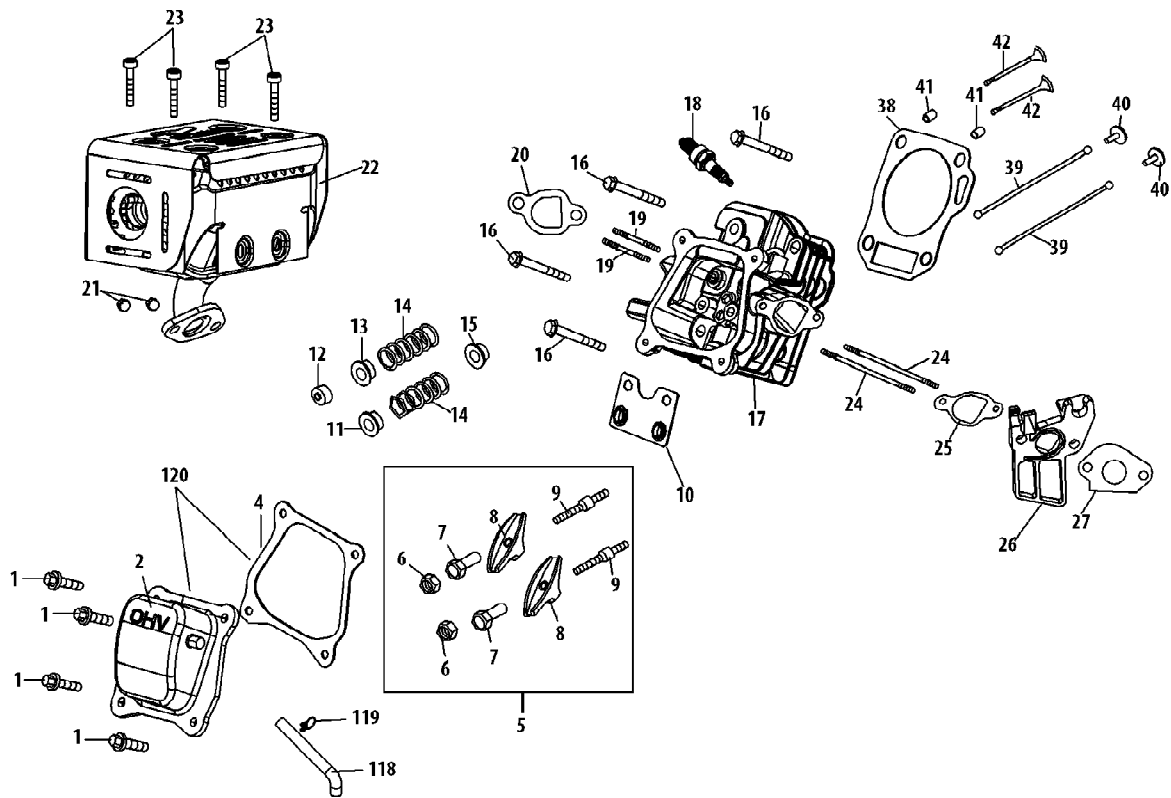


24A-67M3011 Jet Sweeper Vac (2010)
170-C0A Crankcase

Page 6 of 16

Ref #	Part Number	Qty	S/P/F	Description
44	951-11253	1	/P	Piston Ring Set
45	951-11632	2	/P	Piston Pin Snap Ring
46	951-12053	1	/P	Piston
47	951-11633	1	/P	Piston Pin
48	710-04915	2		Bolt M6x12
49	951-11113	1	/P	Air Shield
50	951-11573	1	/P	Connecting Rod Assembly
51	951-11356	1	/P	Governor Arm Shaft
52	736-04461	1		Washer 5.2x1.9
53	951-11574	1	/P	Governor Seal
54	714-04074	1		Cotter Pin
55	951-11575	1	/P	Camshaft Assy.
56	951-11369	2	/P	Radial Ball Bearing, 6205
57	951-12133	1	/P	Crankshaft Assembly
58	951-10307	1	/P	Woodruff Key
59	951-11576	1	/P	Governor Gear/Shaft Assembly
60	715-04092	1		Dowel Pin 7x14
61	715-04096	1		Dowel Pin 9x14
62	951-11371	1	/P	Crankcase Cover Gasket
63	951-12125	1	/P	Cover Comp, Left Crankcase
64	710-04932	7		Bolt M8x32
65	951-11283	1	/P	Dipstick Assembly
66	951-11578	1	/P	Oil Seal, 25x41.25x6
67	951-12122	1	/P	Short Block (Incl. Ref No. 4,20,25,26,38,40,41,44-47,50-70 & 117)
68	736-04440	2	/P	Washer 10x16x1.5
69	710-04906	2		Oil Drain Plug
70	951-12126	1	/P	Oil Seal 25x41.25x6
83	735-04265	1		Grommet 8.5 x 24.5
84	735-04266	4		Rubber Seat
85	735-04267	1		Grommet 8.5 x 17
117	951-11283	1	/P	Oil Fill Plug Assembly
122	951-10370	1	/P	Oil Drain Plug & Washer Assembly
	951-12121	1	/P	Gasket Kit Complete (Incl. Ref No. 4,20,25-27,29,38,52,53,62,66,68 & 70) Not shown

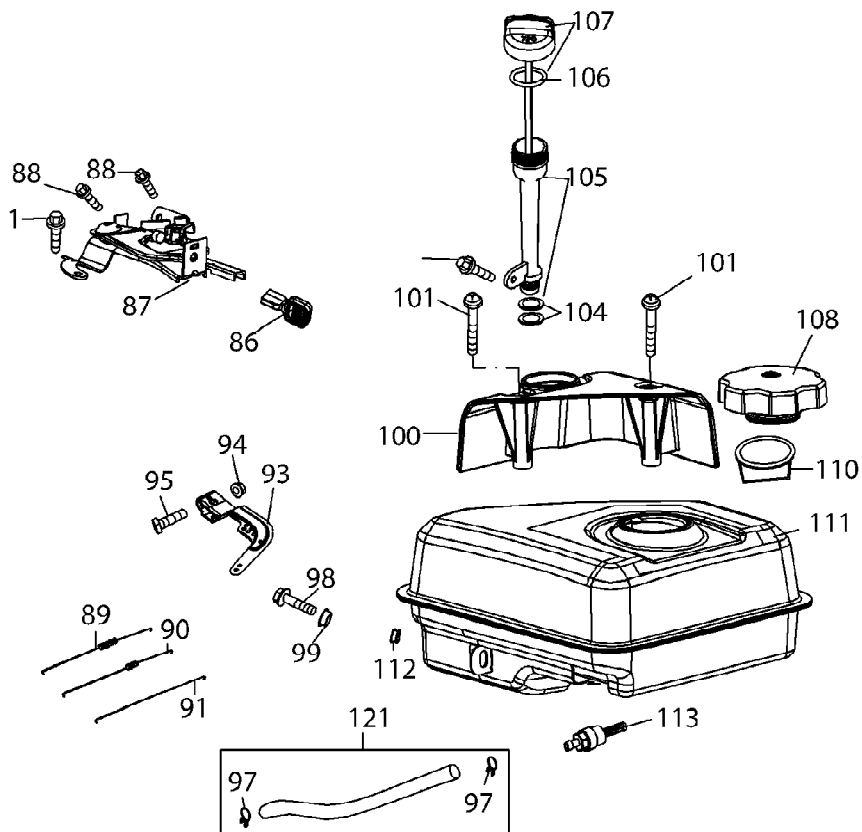
24A-67M3011 Jet Sweeper Vac (2010)
170-C0A Cylinder Head



24A-67M3011 Jet Sweeper Vac (2010)
170-C0A Cylinder Head

Page 8 of 16

Ref #	Part Number	Qty	S/P/F	Description
1	710-04968	5	/P	Bolt M6x16
2	951-11054	1	/P	Valve Cover
4	951-11565	1	/P	Valve Cover Gasket
5	951-11892	2	/P	Rocker Arm Assembly
6	751-11124	2		Nut, Pivot Locking
7	751-11123	2		Adjusting Nut ,Valve
8	951-11893	2	/P	Rocker Arm
9	710-04902	2		Bolt, Pivot
10	951-11895	1	/P	Push Rod Guide
11	951-12000	1	/P	Retainer, In.Valve Spring
12	951-12002	1	/P	Adjuster, Exh Valve
13	951-12003	1	/P	Retainer, Ex.Valve Spring
14	951-12004	2	/P	Valve Spring
15	951-11894	1	/P	Intake Valve Seal
16	710-04933	4		Bolt M8x55
17	951-10668A	1	/P	Cylinder Head Assembly (Incl. Ref No. 4,6-15,17,20,25,26,38,42 & 43)
18	951-10292	1	/P	Spark Plug
19	710-05001	2		Stud M8x36
19	951-10657	1	/P	Muffler Stud Assembly
20	951-11289	1	/P	Exhaust Pipe Gasket
21	712-04214	2		Nut, M8
22	951-12123	1	/P	Muffler Assembly
23	710-05002	4		Bolt M5x10
24	710-05101	2		Stud M6x110
25	951-11567	1	/P	Carburetor Insulator Gasket
26	951-11568	1	/P	Carburetor Insulator
27	951-11569	1	/P	Carburetor Gasket
38	951-11572	1	/P	Gasket, Cylinder Head
39	951-10648	2	/P	Push Rod Kit
40	951-11899	2	/P	Tappet
41	715-04090	2		Dowel Pin 10x16
42	951-10647	1	/P	Valve Kit
43	951-10647	1	/P	Valve Kit
118	731-07059	1		Breather Hose
119	726-04101	1		Hose Clamp
120	951-11063A	1	/P	Valve Cover Kit
	951-12122	1	/P	Short Block (Incl. Ref No. 4,20,25,26,38,40,41,44-47,50-70 & 117) Not shown
	951-12121	1	/P	Gasket Kit Complete (Incl. Ref No. 4,20,25-27,29,38,52,53,62,66,68 & 70) Not shown
	951-12120	1	/P	Gasket Kit External (Incl. Ref No. 4,20,25-27,29 & 68) Not shown
	952Z170-C0A	1	/P	Complete Engine Not shown

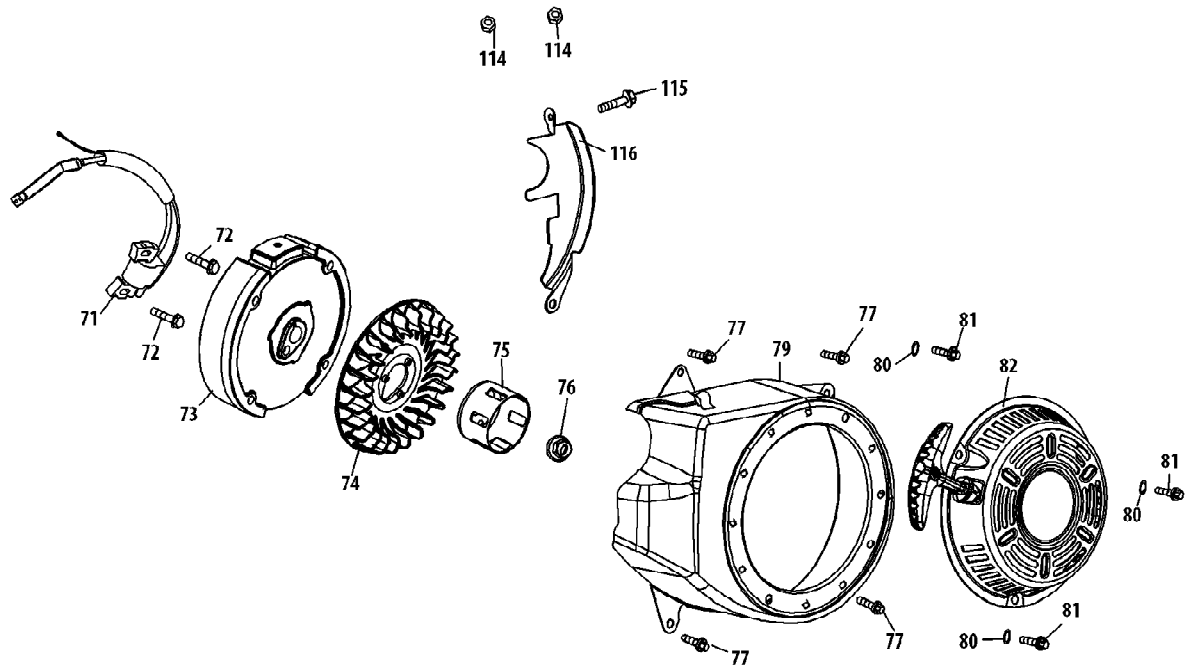


24A-67M3011 Jet Sweeper Vac (2010)
170-C0A Fuel Tank

Page 10 of 16

Ref #	Part Number	Qty	S/P/F	Description
1	710-04968	5	/P	Bolt M6x16
86	951-11067	1	/P	Throttle Control Knob
87	951-12131	1	/P	Primer Bracket
88	710-05103	2		Bolt M6x12
89	951-11585	1	/P	Governor Spring
90	951-10664	1	/P	Throttle Linkage Spring
91	951-10665	1	/P	Throttle Linkage
93	951-11106	1	/P	Governor Arm
94	712-04212	1	/P	Nut M6
95	710-04908	1		Governor Arm Bolt
97	951-11700	2	/P	Fuel Hose Clamp
98	710-04918	1		Bolt M6x20
99	735-04268	1		Grommet 8.5 x 9
100	951-10662	1	/P	Dipstick Cover
101	710-04905	2		Bolt
102	710-04915	1		Bolt M6x12
104	951-11903	2	/P	Oil Fill Tube O-Ring
105	951-11913	1	/P	Oil Fill Tube
106	951-11934	1	/P	Oil Fill Tube O-Ring
107	951-11912	1	/P	Dipstick Guage
108	951-10917	1	/P	Fuel Cap Assembly
110	951-11933	1	/P	Fuel Filter
111	951-12132	1	/P	Fuel Tank
112	750-05314	1		Rubber Shock Pad
113	951-10651	1	/P	Fuel Tank Nipple
121	951-10650	1	/P	Fuel Line Kit

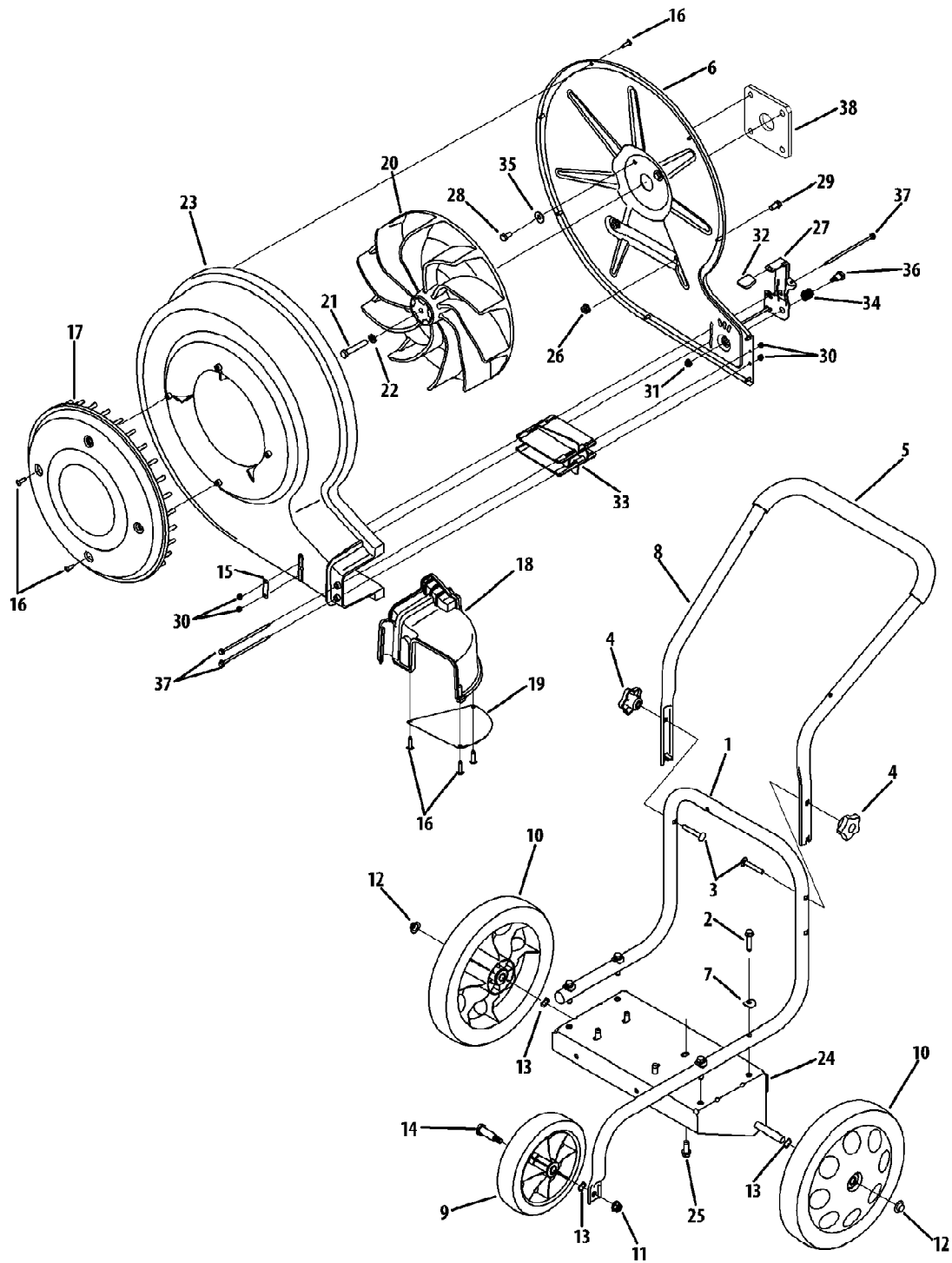
24A-67M3011 Jet Sweeper Vac (2010)
170-C0A Starter



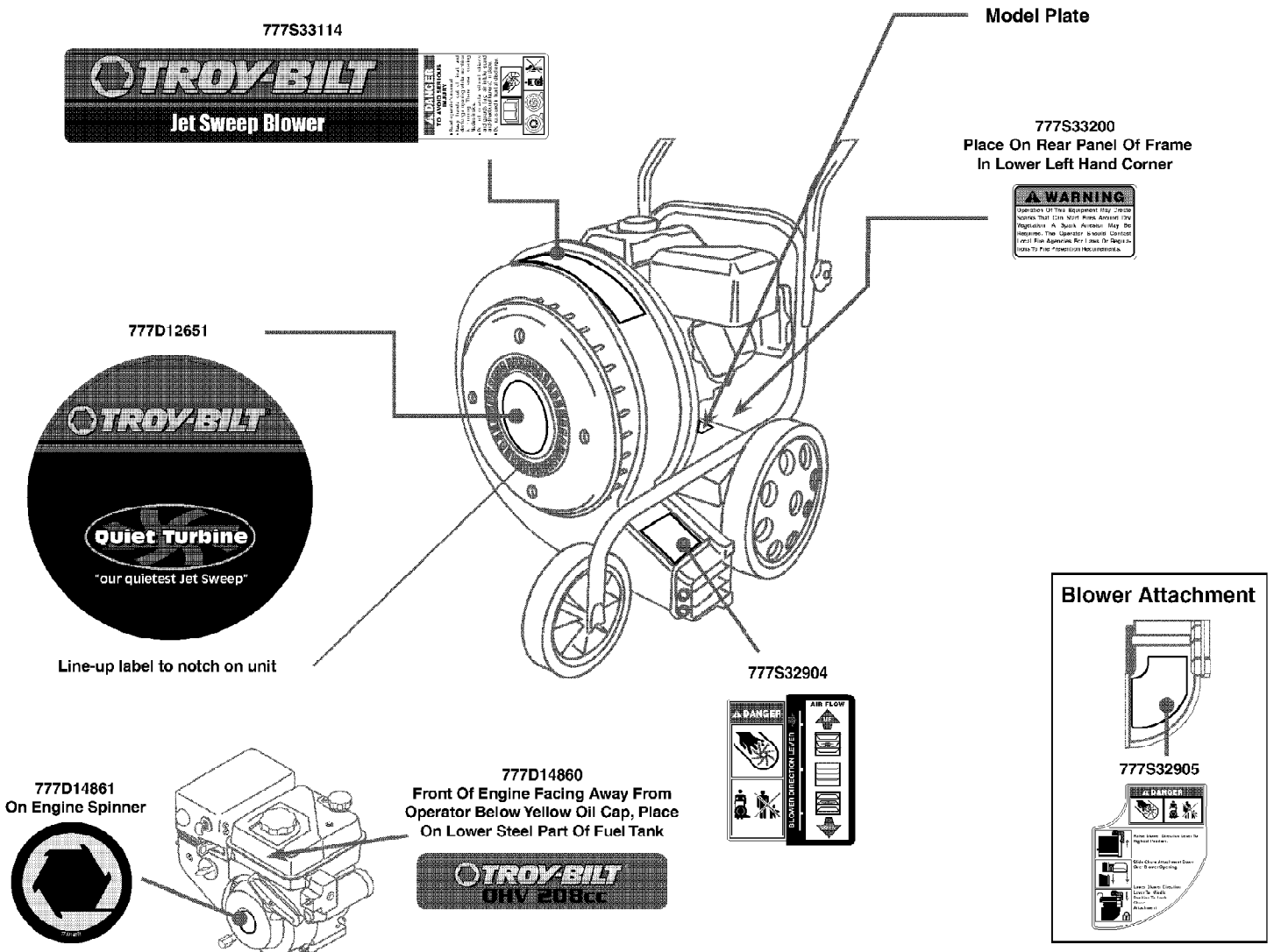
24A-67M3011 Jet Sweeper Vac (2010)
170-C0A Starter

Page 12 of 16

Ref #	Part Number	Qty	S/P/F	Description
71	951-10792	1	/P	Ignition Coil Assembly
72	710-04919	2	/P	Bolt M6x25
73	951-10805	1	/P	Flywheel
74	951-10934	1	/P	Fan, Cooling
75	951-10911	1	/P	Pulley, Starter
76	712-04209	1	/P	Nut, Special, M14x1.5
77	710-04915	4		Bolt M6x12
79	951-11583	1	/P	Blower Housing
80	736-04455	3		Washer
81	710-04974	3		Bolt M6x10
82	951-12127	1	/P	Recoil Starter
114	712-04212	2	/P	Nut, M6
115	710-04918	1		Bolt M6x20
116	951-11109	1	/P	Blower Housing Shield



Ref #	Part Number	Qty	S/P/F	Description
1	749-04292-0638	1	/P	Lower Handle Assembly
2	710-04605	1		Hex Screw, 5/16-18 x 1.50
3	710-0487	1	/P	Carriage Screw, 5/16-18 x 2.00
4	720-04072A	1	/P	Star Knob, 5/16-18
5	720-04091	1		Foam Grip, .970 x 25
6	781-04165-0638	1		Back Plate
7	936-0451	1	/P	Saddle Washer, .320 x .93 x .060
8	749-04291-0638	1		Upper Handle
9	734-04033	1	/P	Wheel, 8 x 2
10	734-04019	1		Wheel, 12"
11	712-04065	1	/P	Flange Lock Nut, 3/8-16
12	726-0299	1	/P	Push Cap, 1/2"
13	936-0504	1	/P	Wave Washer, .510 x .750 x .017
14	738-0213	1	/P	Shoulder Screw, .498 x 1.445
15	781-04212-0637	1	/P	Guide Plate
16	710-04373A	1		Hex Screw, 12-16 x .75
17	731-05664	1		Blower Cover
18	631-04253	1		Chute Assembly
19	781-04175-0638	1		Chute Plate
20	631-04213	1		Impeler Assembly
21	910-1254	1	S	Hex Screw, 3/8-24 x 2.25
22	936-0217	1	/P	Lock Washer, 3/8
23	731-05592	1		Blower Housing
24	681-04067A-0638	1	/P	Frame
25	710-0654A	1	/P	Sems Screw, 3/8-16 x 1.000
26	712-04063	1	/P	Flange Lock Nut, 5/16-18
27	781-04181-0638	1		Louver Lever
28	710-0237	1	/P	Hex Bolt, 5/16-24 x .625 (205 CC) 24A-672G011 Model Only
28	710-0888	1	/P	Hex Bolt, 5/16-24 x 1.00 (208 CC) 24A-67M3011/066 Models Only
29	710-3008	1	/P	Hex Bolt, 5/16-18 x .75
30	712-04035	1		Hex Lock Nut, #8-32
31	712-04064	1	/P	Flange Lock Nut, 1/4-20
32	720-0426	1	/P	Height Adjustment Knob
33	731-05644	1		Louver Plate
34	932-3042	1		Comp. Spring, .515 x .641 x .95
35	736-0242	1	/P	Bell Washer, .340 x .872 x .060
36	738-04222	1		Shoulder Screw, .437 x .50 x 1/4-20
37	738-04223	1		Shoulder Screw, .18 x 4.8 x 8-32
38	781-04292-0637	1	/P	Engine Plate (208 CC) 24A-67M3011/066 Models Only



24A-67M3011 Jet Sweeper Vac (2010)
TB 672 Label Map

Page 16 of 16

Ref #	Part Number	Qty	S/P/F	Description
777S33114	777S33114	1		LABEL-JET SWEEP BLOWER HSG
777D12651	777D12651	1		LABEL-JET SWEEP FRONT TROYBILT
777D14861	777D14861	1		LABEL-TROY BILT ICON ENG SPINNER
777D14860	777D14860	1		LABEL-OHV 208CC ENGINE TROY BILT
777S32904	777S32904	1		LABEL-LOUVER LEVER JET SWEEP BLWR
777S32905	777S32905	1		LABEL-BLOWER CHUTE WLKBND BLWR
777S33200	777S33200	1		LABEL-WARNING SPARKS