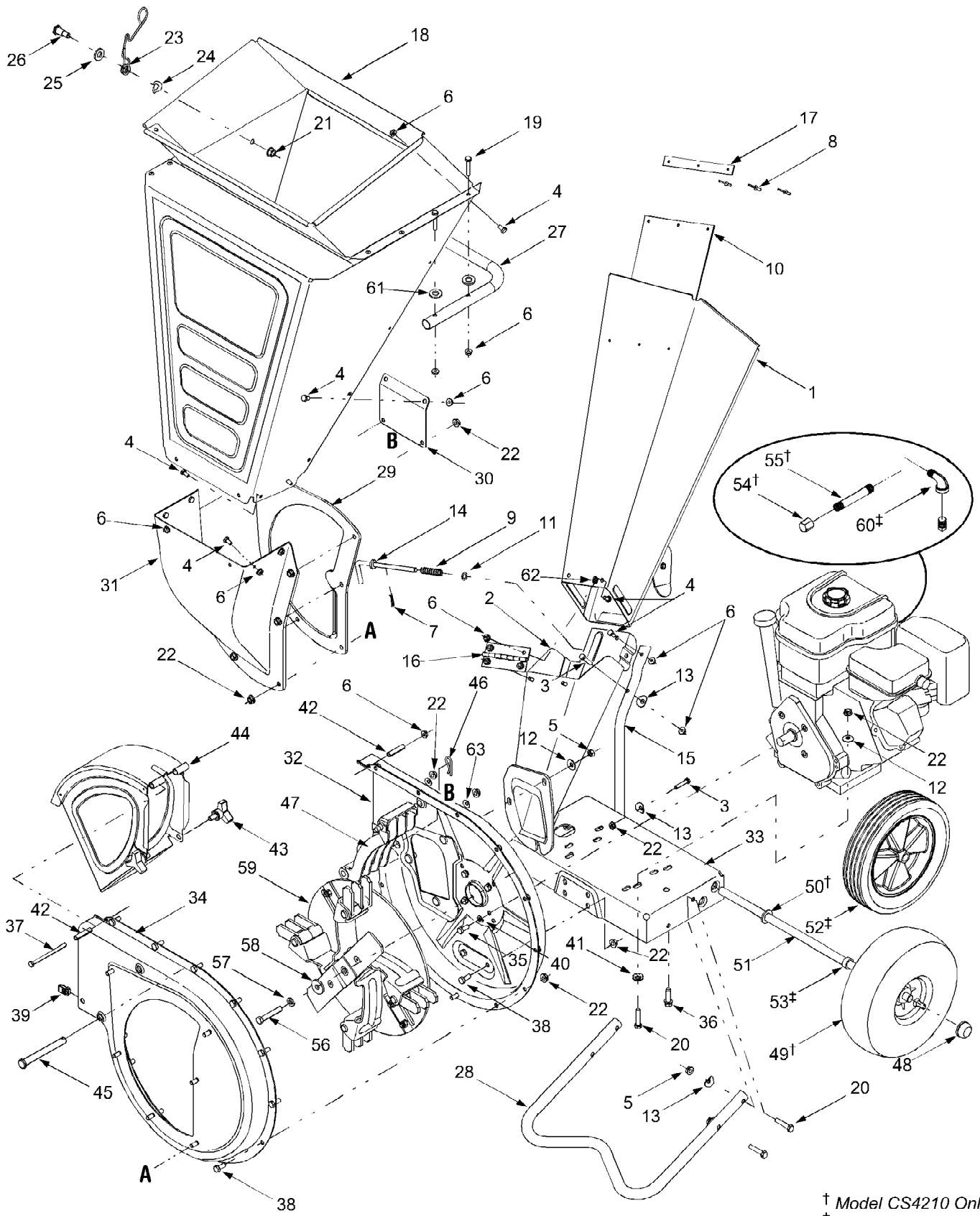


24A-424G766 CS4210 Chipper Shredder (2005)  
General Assembly



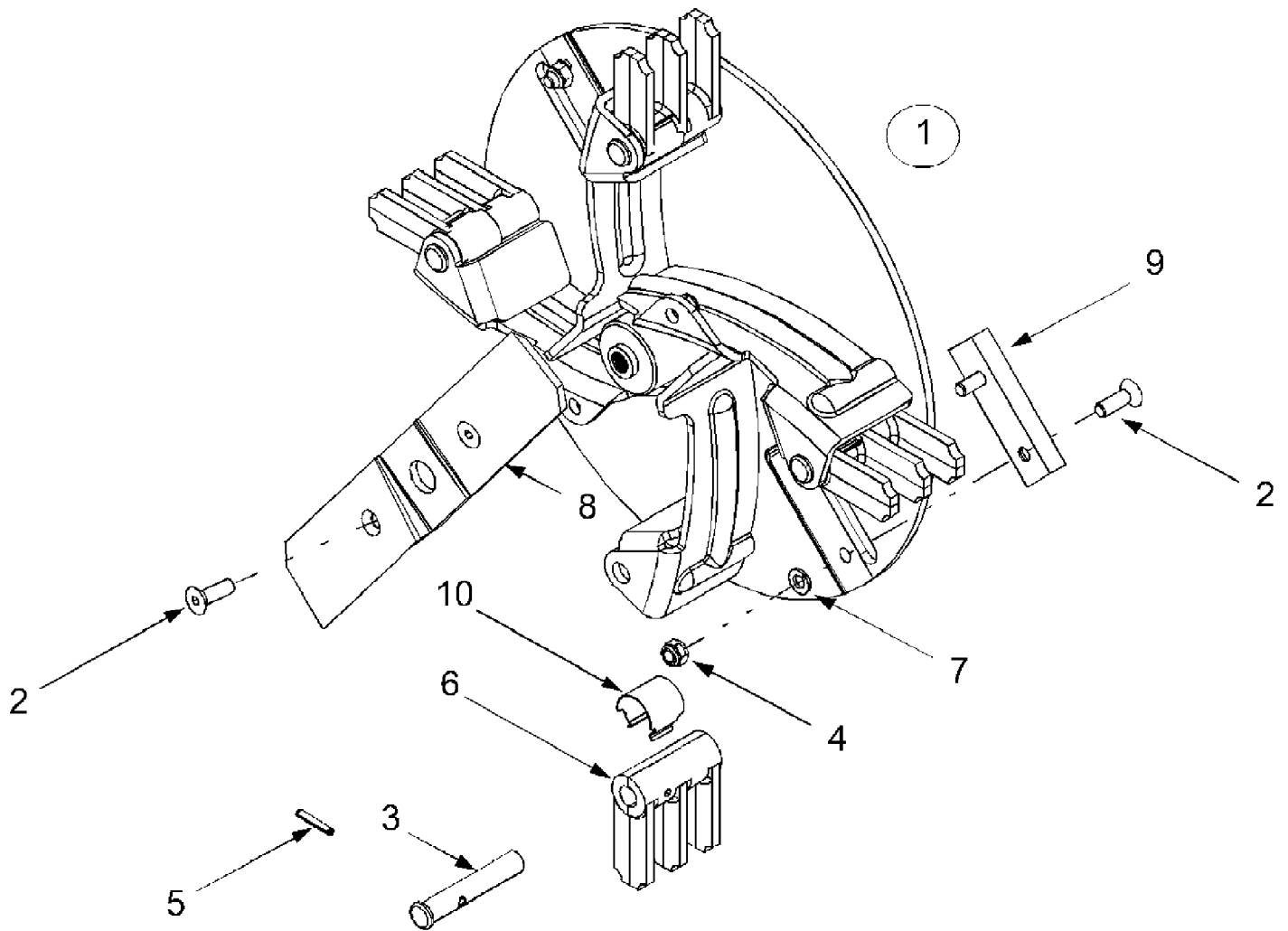
† Model CS4210 Only  
‡ Model CS4265 Only

Ref #	Part Number	Qty	S/P/F	Description
1	681-04006	1		Upper Chipper Chute Assembly
2	681-04007	1		Lower Chipper Chute Assembly
3	710-0106	1	/P	Hex Cap Screw, 1/4-20 x 1.25
4	710-3013	1	/P	Hex Cap Screw, 1/4-20 x.5
5	712-3010	1	S	Hex Nut, 5/16-18
6	712-3027	1	S	Hex Lock Nut 1/4-20
7	714-0104	1	S	Cotter Pin
8	728-0175	1		Pop Rivet
9	732-0306A	1	S	Compression Spring,.531 x 1.75
10	735-0249A	1	/P	Chute Flap
11	736-0140	1	S	Flat Washer
12	736-0242	1	/P	Bell Washer.340 ID x.872 OD
13	736-0451	1	S	Washer,.320 ID x.93 OD
14	747-04163	1	S	Lock Rod
15	749-1004	1		Chipper Chute Support
16	781-04032	1	S	Chipper Chute Hinge
17	781-0633	1		Chute Flap Strip
18	681-04011	1		Shredder Hopper Assembly
19	710-0809	1		Hex Cap Screw, 1/4-20 x 1.250
20	710-0805	1	/P	Hex Cap Screw, 5/16-18 x 1.50
21	712-0431	1	S	Flange Lock Nut, 3/8-16
22	712-3004A	1	/P	Flange Lock Nut, 5/16-18
23	732-04167	1	S	Torsion Spring
24	736-0182	1	/P	Spring Washer,.50 x 1.0 x.022
25	736-0326	1	S	Flat Washer,.50 x 1.0 x.0125
26	738-0430	1		Shoulder Screw, 3/8-16,.50 x.685
27	749-04103	1	S	Hopper Handle
28	749-04104	1	S	Tube Support
29	781-04007	1		Shredder Plate
30	781-04027	1		Hopper Support Bracket
31	781-04033	1		Inlet Guide
32	681-0117	1		Inner Flail Housing Assembly
33	681-0183A	1		Frame Assembly (CS4210)
	681-0184A	1	/P	Frame Assembly (CS4265)
34	681-04002	1		Outer Flail Housing Assembly
35	710-0157	1	/P	Hex Cap Screw, 5/16-24 x.75
36	710-0502A	1	/P	Hex Sems Screw, 3/8-16 x 1.25
37	710-0825	1	/P	Hex Cap Screw, 1/4-20 x 3.75
38	710-3025	1	/P	Hex Cap Screw, 5/16-18 x.625
39	726-0211	1	S	U-Nut, 5/16-18
40	736-0119	1	S	Lock Washer, 5/16
41	736-0170	1	S	Special Lock Washer, 5/16
42	750-0793	1	S	Hinge Spacer,.265 x.380 x 1.66
43	681-0048	1	S	Knob, 5/16-18
44	681-0094	1		Chute Deflector Assembly
45	711-0835	1	S	Clevis Pin,.50 x 4.62
46	714-0149B	1	S	Internal Cotter Pin
47	719-04070	1		Shredder Screen
48	726-0214	1	/P	Push Cap, 5/8
49	734-1845	1		Wheel, 10 x 4 x 4 Model CS4210 Only
50	736-0366	1	/P	Flat Washer,.625 x 1.0 Model CS4210 Only
51	738-0813	1		Axle, 22.47" (CS4210)
	738-0814	1		Axle, 21.21" (CS4265)

24A-424G766 CS4210 Chipper Shredder (2005)  
General Assembly

Page 3 of 7

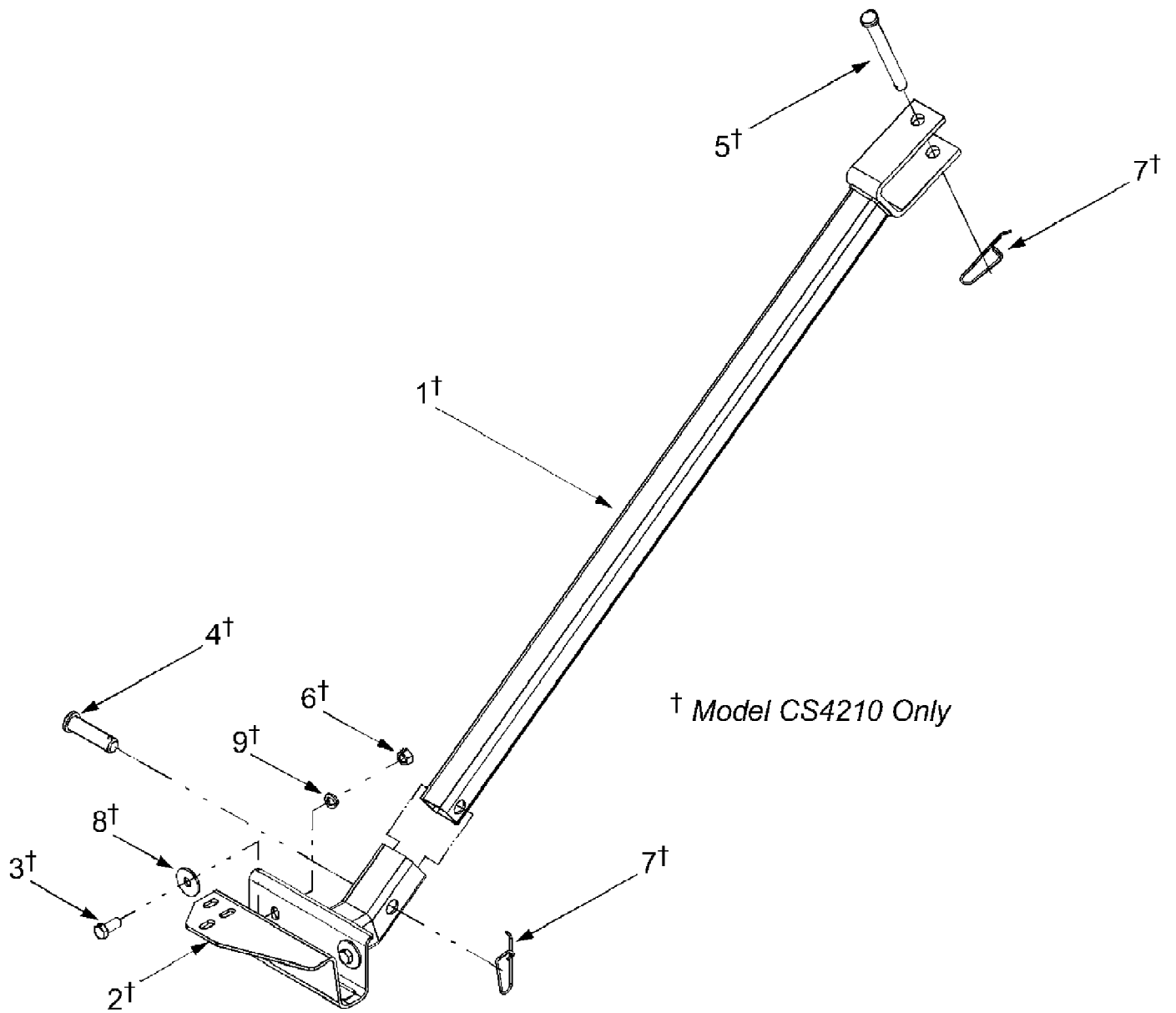
Ref #	Part Number	Qty	S/P/F	Description
52	734-1600	1		Wheel, 10 x 2.5 Model CS4265 Only
53	750-0786	1	S	Spacer,.64 x.88 x.38 Model CS4265 Only
54	737-0132	1		Oil Drain End Cap Model CS4210 Only
55	737-0298	1	/P	Oil Drain Pipe Model CS4210 Only
56	710-1254	1	/P	Hex Cap Screw, 3/8-24 x 2.25
57	736-0217	1	S	Lock Washer, 3/8
58	736-0247	1	/P	Flat Washer,.406 x 1.25
59	681-04009	1	S	Impeller Assembly (See "Impeller" for Impeller Parts)
60	737-0195	1	S	Elbow Fitting Model CS4265 Only
61	736-0173	1	/P	Flat Washer,.28 x.74 x.063
62	726-0233	1	/P	Push Nut,.25ID x.50OD
63	726-0201	1		Speed Nut,.3125ID
	664-04023	1	S	Debris Collection Bag (Not Shown)
	723-0400	1	/P	Safety Glasses



24A-424G766 CS4210 Chipper Shredder (2005)  
Impeller

Page 5 of 7

Ref #	Part Number	Qty	S/P/F	Description
1	681-04009	1	S	Impeller Assembly Complete
2	710-1054	1	/P	Machine Screw, 5/16-24 x 1.0
3	711-0833B	1	S	Clevis Pin,.496
4	712-0411	1	S	Hex Lock Nut, 5/16-24
5	715-0166	1		Spiral Pin,.156 x 1.0
6	719-0329	1		Flail
7	736-0119	1	S	Lock Washer, 5/16
8	742-04050	1	S	Shredder Blade
9	742-0544	1	S	Chipper Blade
10	781-0735	1		Retainer Clip



24A-424G766 CS4210 Chipper Shredder (2005)  
Tongue

Page 7 of 7

Ref #	Part Number	Qty	S/P/F	Description
1	681-0133	1		Tongue Hitch Mount Model CS4210 Only
2	681-0134A	1	S	Base Hitch Mount Model CS4210 Only
3	710-3001	1	/P	Hex Cap Screw, 3/8-16 x.88 Model CS4210 Only
4	711-0299	1	/P	Clevis Pin,.625 x 2.4 Model CS4210 Only
5	711-0835	1	S	Clevis Pin,.50 x 4.62 Model CS4210 Only
6	712-0798	1	/P	Hex Nut, 3/8 Model CS4210 Only
7	732-0194	1		Spring Pin Model CS4210 Only
8	736-0133	1	S	Flat Washer,.411 x 1.25 x 1.0 Model CS4210 Only
9	736-0169	1	S	Lock Washer, 3/8 Model CS4210 Only