

24A-414B711 Chipper Shredder (2009)
General Assembly

Page 2 of 8

Ref #	Part Number	Qty	S/P/F	Description
1	981-0133-0637	1	/P	Tongue Hitch Mount
2	681-0134A-0637	1	/P	Base Hitch Mount
3	710-3001	1	/P	Hex Cap Screw, 3/8-16 x.88
4	711-0299	1	/P	Clevis Pin,.625 x 2.4
5	911-0835	1	/P	Clevis Pin,.50 x 4.62
6	712-04065	1	/P	Flange Lock Nut, 3/8-16
7	732-0194	1		Spring Pin
8	936-0133	1	/P	Flat Washer,.411 x 1.25 x 1.0
9	681-04006-0638	1		Upper Chipper Chute Assembly Model Series 420
10	681-04007-0638	1		Lower Chipper Chute Assembly Model Series 420
11	710-0106	1	/P	Hex Cap Screw, 1/4-20 x 1.25 Model Series 420
12	710-3013	1	/P	Screw, 1/4-20 x .50 Model Series 420
13	912-3010	1	/P	Hex Nut, 5/16-18
14	712-04064	1	/P	Flange Lock Nut 1/4-20 Model Series 420
15	914-0104	1	/P	Cotter Pin Model Series 420
16	728-0175	1		Pop Rivet Model Series 420
17	932-0306A	1	/P	Compression Spring,.531 x 1.75 Model Series 420
18	735-0249A	1	/P	Chute Flap Model Series 420
19	936-0140	1	/P	Flat Washer Model Series 420
20	736-0242	1	/P	Bell Washer.340 ID x.872 OD
21	936-0451	1	/P	Washer,.320 ID x.93 OD
22	947-04163	1	/P	Lock Rod Model Series 420
23	749-1004-0638	1	S	Chipper Chute Support Model Series 420
24	981-04032	1	/P	Chipper Chute Hinge Model Series 420
25	781-0633	1		Chute Flap Strip Model Series 420
26	710-0805	1	/P	Hex Cap Screw, 5/16-18 x 1.50
27	749-04104-0637	1	/P	Tube Support
28	681-0184B-0638	1	/P	Frame Assembly Model Series 410
28	681-0183A-0638	1	S	Frame Assembly Model Series 420
29	710-0502A	1	/P	Hex Sems Screw, 3/8-16 x 1.25
30	936-0170	1	/P	Special Lock Washer, 5/16
31	726-0214	1	/P	Push Cap, 5/8
32	634-04009	1	S	Wheel, 10 x 4 x 4
33	950-0786	1	/P	Spacer, .64 x .88 x .38
34	738-0813	1		Axle, 22.47"
35	937-0195	1	/P	Elbow Fitting
36	726-0233	1	/P	Push Nut,.25ID x.50OD Model Series 420
37	681-0095-0638	1		Chipper Chute Model Series 410
38	712-04063	1	/P	Flange Lock Nut, 5/16-18
39	710-0809	1		Hex Cap Screw, 1/4-20 x 1.250
	964-04023	1	/P	Debris Collection Bag Not Shown
	723-0400	1	/P	Safety Glasses Not Shown

24A-414B711 Chipper Shredder (2009)
Impeller Assembly

Page 4 of 8

Ref #	Part Number	Qty	S/P/F	Description
1	981-04094	1	/P	Impeller Assembly Complete
2	710-1054	1	/P	Machine Screw, 5/16-24 x 1.0
3	738-04286	1	S	Shoulder Pin, .5 x 2.625
4	912-0411	1	/P	Hex Lock Nut, 5/16-24
5	712-0266A	1	/P	Nut, Jam Lock, 3/8-16
6	719-04308	1		Flail Blade
7	936-0119	1	/P	Lock Washer, 5/16
8	942-04050	1	/P	Shredder Blade
9	942-0544	1	/P	Chipper Blade
10	911-0835	1	/P	Clevis Pin,.50 x 4.62
11	936-0217	1	/P	Lock Washer, 3/8
12	736-0247	1	/P	Flat Washer,.406 x 1.25
13	710-1254	1	/P	Hex Cap Screw, 3/8-24 x 2.2
14	736-0242	1	/P	Bell Washer.340 ID x.872 OD
15	681-04011-0638	1		Shredder Hopper Assembly
16	710-0809	1		Hex Cap Screw, 1/4-20 x 1.250
17	712-04065	1	/P	Flange Lock Nut, 3/8-16 Model Series 420
18	712-04063	1	/P	Flange Lock Nut, 5/16-18
19	932-04167	1	/P	Torsion Spring Model Series 420
20	736-0182	1	/P	Spring Washer,.50 x 1.0 x.022 Model Series 420
21	936-0326	1	/P	Flat Washer,.50 x 1.0 x.0125 Model Series 420
22	738-0430	1		Shoulder Screw, 3/8-16,.50 x.685 Model Series 420
23	749-04103-0637	1	/P	Hopper Handle
24	781-04007-0638	1		Shredder Plate
25	781-04027-0638	1		Hopper Support Bracket
26	781-04033-0638	1		Inlet Guide
27	681-0117-0638	1		Inner Flail Housing Assembly
28	681-04002-0638	1		Outer Flail Housing Assembly
29	710-0157	1	/P	Hex Cap Screw, 5/16-24 x.75
30	710-0825	1	/P	Hex Cap Screw, 1/4-20 x 3.75
31	710-3025	1	/P	Hex Cap Screw, 5/16-18 x.625
32	926-0211	1	/P	U-Nut, 5/16-18
33	936-0119	1	/P	Lock Washer, 5/16
34	950-0793	1	/P	Hinge Spacer,.265 x.380 x 1.66
35	720-0170	1	/P	Knob Only, 5/16-18
36	681-0094-0637	1	/P	Chute Deflector Assembly
37	914-0149B	1	/P	Internal Cotter Pin
38	719-04070	1		Shredder Screen
39	736-0173	1	/P	Flat Washer,.28 x.74 x.063
40	726-0201	1		Speed Nut,.3125ID
41	712-04064	1	/P	Nut, Flange, Lock, 5/16-18
42	710-0599	1	/P	TT Screw, 1/4-20 x.5

REF.: If Ethanol Information
Is Not Supplied By Engine
Manufacturer, Place 777X43688
On Engine Close To Fuel Cap



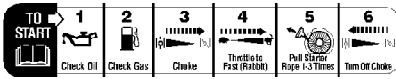
777D12639
Center 2" From Top



777S32604
Place On Ledge, Line To Right Two Rivets



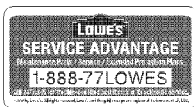
777I22694



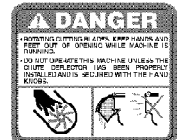
777S32282



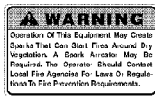
777X43244
Place In Lower Left Corner
On Top Of Deck



777S33113
Place On Discharge
Chute Deflector

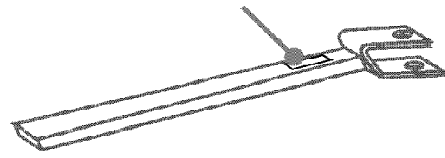


777S33200
Place On Front Side Of Deck
In Left Hand Corner



Model Plate

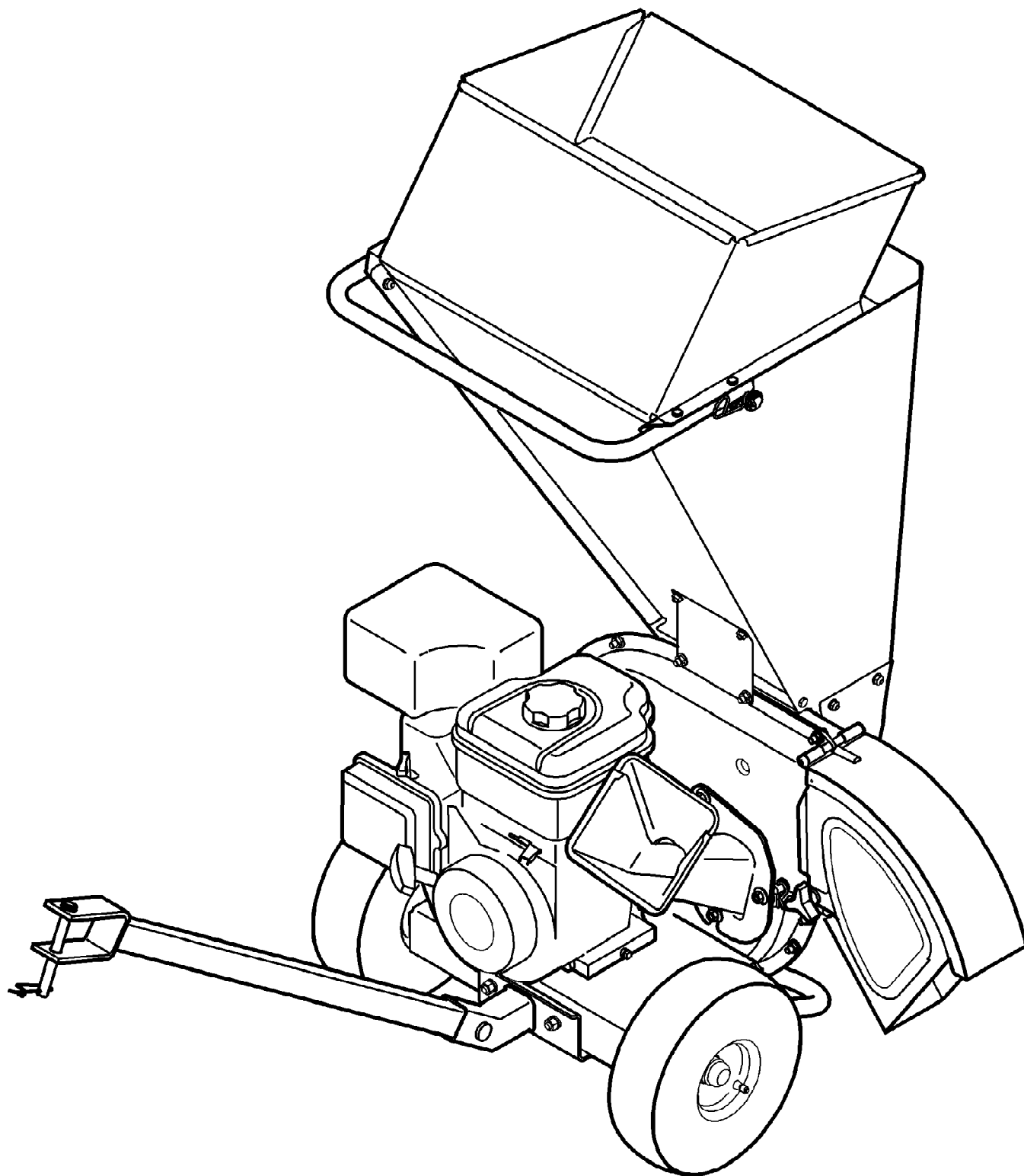
777S30228



24A-414B711 Chipper Shredder (2009)
Label Map CS4265

Page 6 of 8

Ref #	Part Number	Qty	S/P/F	Description
777D12639	777D12639	1		LABEL-HCS:FRNT:CS4265/TBILT
777I22694	777I22694	1		LABEL-START INSTRUCT
777X43244	777X43244	1		LABEL-LOWE'S SERVICE ADVANTAGE
777S33200	777S33200	1		LABEL-WARNING SPARKS
777S30228	777S30228	1		LABEL-TOW BAR
777S33113	777S33113	1		LABEL-CHIPPER SHREDDER CHUTE
777S32282	777S32282	1		LABEL-CHUTE
777S32604	777S32604	1		LABEL:VERT/CS:HOPP
777X43688	777X43688	1		LABEL-ETHANOL



24A-414B711 Chipper Shredder (2009)
Quick Reference

Page 8 of 8

Ref #	Part Number	Qty	S/P/F	Description
	759-3336	1	/P	Spark Plug
	BS-493537S	1	/P	Pre Filter
	BS-491588S	1	/P	Air Filter
	951-3013	1	S	Fuel Filter Model 410 Only
	681-04094	1	S	Impeller Assembly
	742-0544	1	S	Chipper Blade
	719-04308	1		Flail Blade
	742-04050	1	S	Shredder Blade
	719-04070	1		Screen Assembly
	681-04006	1		Chipper Shredder Chute Upper
	681-04007	1		Chipper Shredder Chute Lower
	681-0095	1		Chipper Chute Model 410 Only
	681-04011	1		Hopper Assembly
	634-04009	1	S	Wheels
	726-0214	1	/P	Hub Cap
	664-04023	1	S	Grass Bag