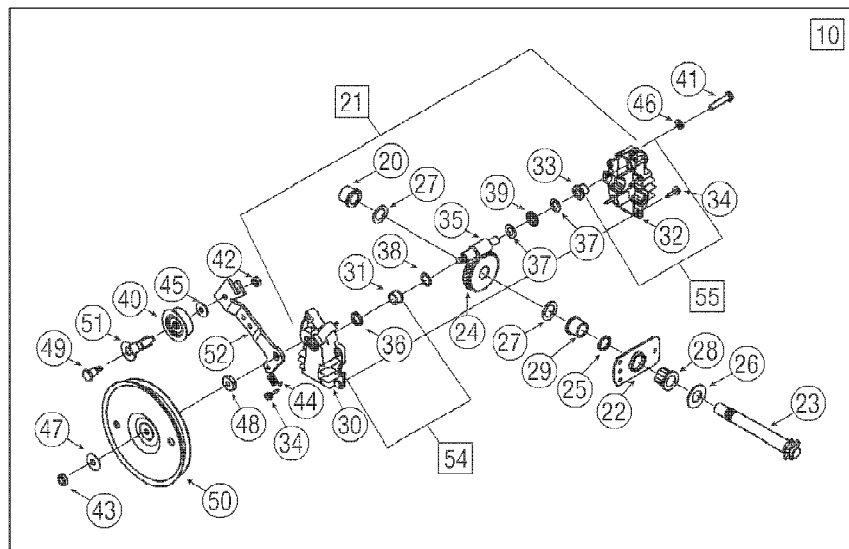
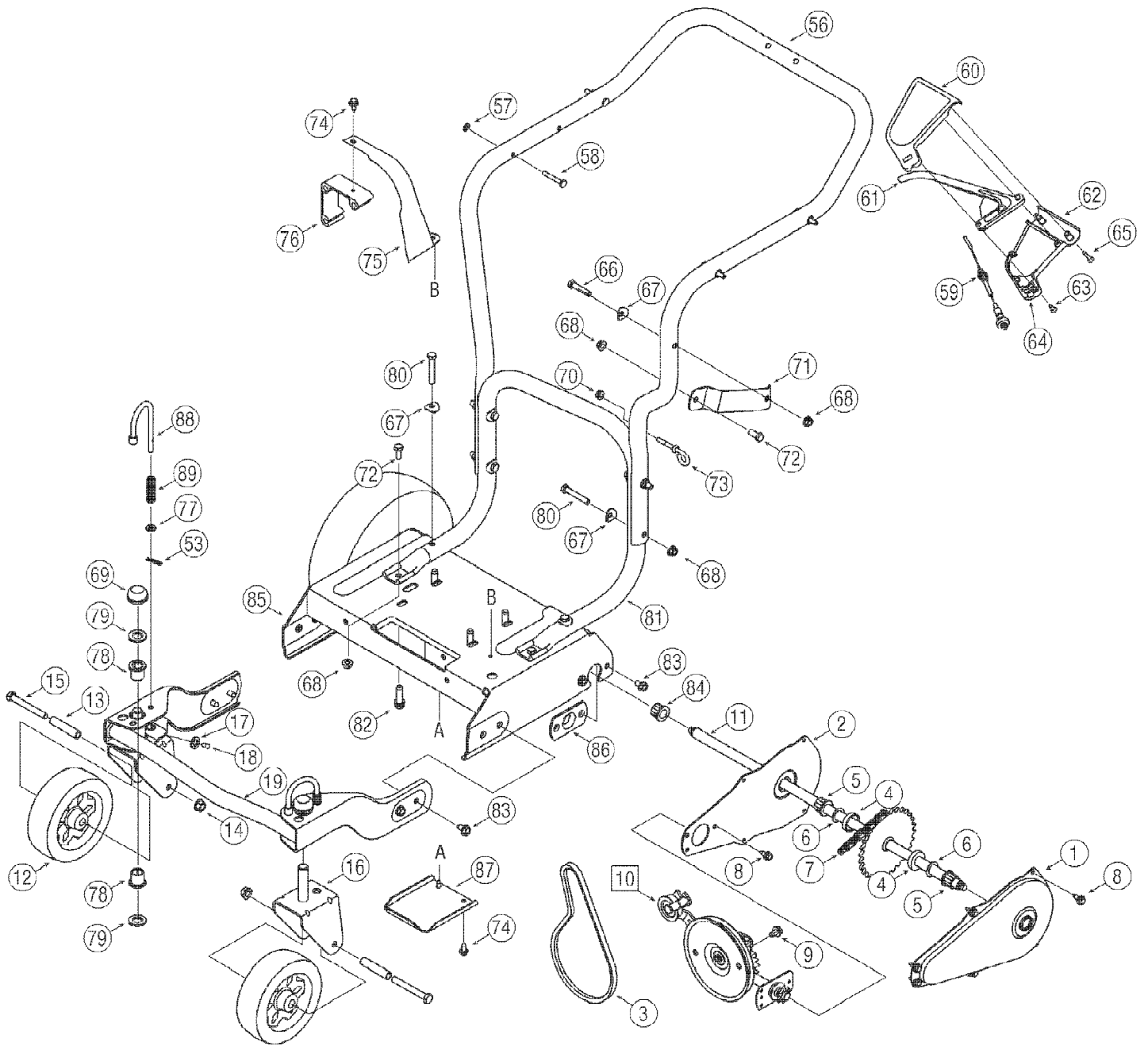
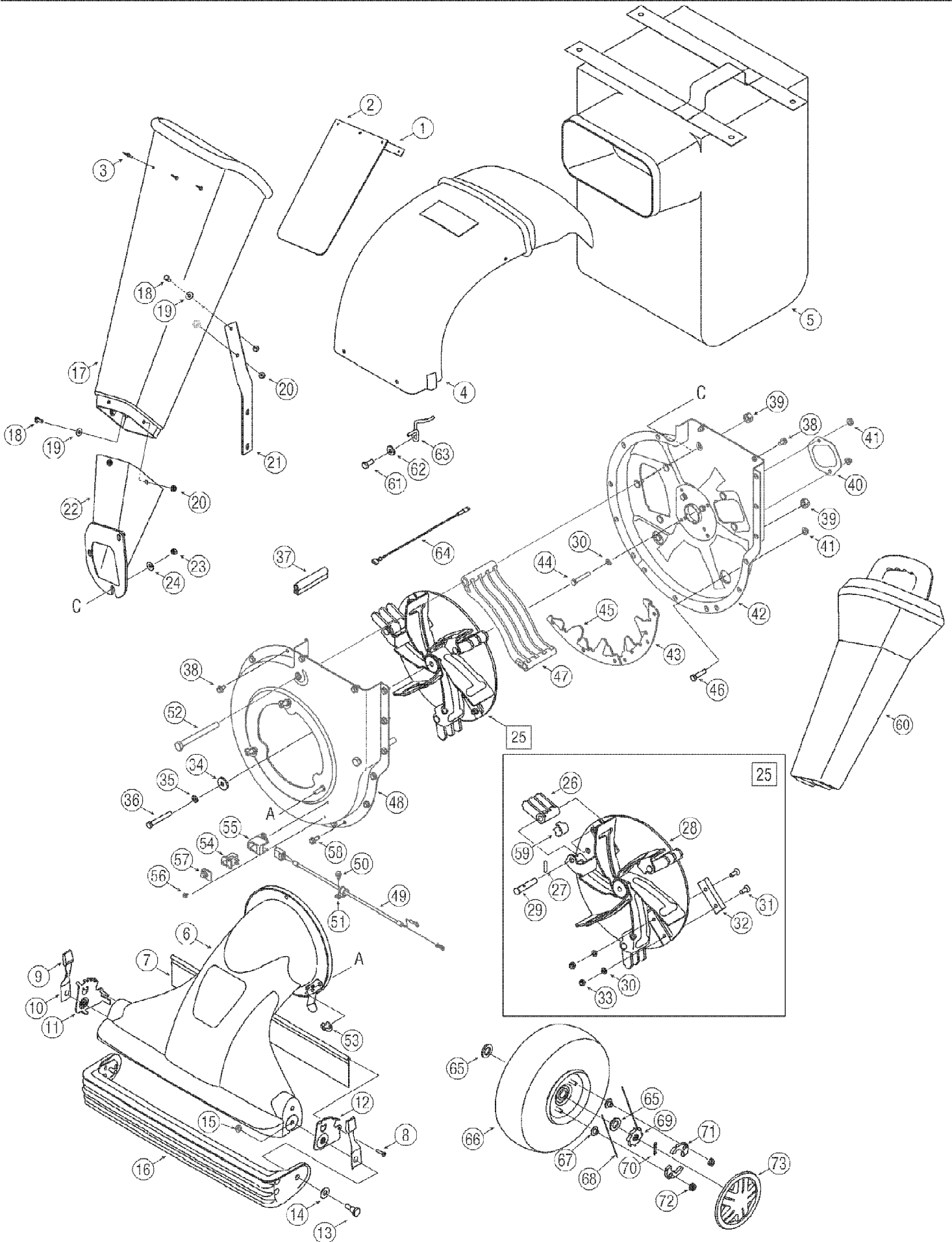


24A-204B766 Chipper Shredder Vac (2006)
Drive and Handle Assembly



Ref #	Part Number	Qty	S/P/F	Description
1	781-0677	1		Chain Case LH
2	781-0676	1		Chain Case RH
3	754-0457	1	S	V-Belt
4	748-0313	1		Spacer
5	741-0413	1	S	Hex Flange Bearing
6	736-0336	1	S	Flat Washer
7	713-0422	1	S	Chain
8	710-0896	1	/P	TT Screw 1/4-14 x 0.625"
9	710-0603	1	/P	Hex Washer Screw 5/16
10	618-0256	1		Chipper Shredder Trans.
11	611-0063	1		Axle Assembly
12	734-1804A	1	/P	Wheel 6.0 x 2.0
13	750-1042	1		Spacer
14	712-0431	1	S	Flange Lock Nut 3/8-16
15	710-0521	1	/P	Hex Cap Screw 3/8-16 x
16	681-0088	1		Bracket Assembly
17	736-0931	1	/P	Flat Washer.203 ID x.403
18	737-3000	1	S	Grease Fitting 3/16
19	681-0087	1		Bracket Assembly
20	741-0415	1	S	Flange Bearing.566 ID
21	618-0255	1	S	Shredder Transmission
22	16500A	1	S	Hex Bearing Cup
23	711-1118	1	S	Output Shaft 6T Sprocket
24	717-1432	1		Helical 34T Gear
25	721-0213	1	/P	Oil Seal
26	736-0187	1	/P	Flat Washer.64 ID x 1.24
27	736-0336	1	S	Flat Washer 5/8 x 1.0
28	741-0413	1	S	Hex Flange Bearing.631 ID
29	741-0414	1		Flange Bearing.629 ID
30	719-0325	1		Lower Housing
31	748-0373	1		Flange Bearing.503 ID
32	719-0324A	1		Upper Housing
33	748-0208A	1	/P	Flange Bearing.378 ID
34	710-0589	1	/P	Hex Washer Screw #10-16
35	717-1433	1		Pinion Shaft 10T
36	721-0329	1	S	Oil Seal
37	736-0314	1	S	Thrust Washer.382 ID x.684
38	736-0520	1	S	Flat Washer.504 ID x.70
39	741-0479	1		Thrust Bearing.375 ID x.812
40	656-0008	1	S	Idler Pulley Assembly W/
	756-0558	1	S	Idler Pulley Only
	741-0556	1	S	Needle Bearing Only
41	710-1062	1		Hex Cap Screw 1/4-20 x
42	712-0138	1	S	Hex Nut 1/4-28
43	712-3045	1	S	Hex Jam Nut 5/16-24 LH
44	732-0357A	1	S	Extension Spring 1.12 Lg
45	736-0270	1	/P	Bell Washer.265 ID x.75 OD
46	736-0329	1	S	Lock Washer 1/4
47	736-0425	1	S	Bell Washer.325 ID x.930
48	738-0440	1		Shoulder Spacer.375 ID x.165
49	738-0826	1	S	Shoulder Bolt 1/4-28 x.375
50	756-0656	1	/P	Flat Pulley 5.06 Dia
51	782-7569	1		Belt Keeper

Ref #	Part Number	Qty	S/P/F	Description
52	682-0054	1	/P	Idler Bracket
53	714-0104	1	S	Cotter Pin
54	618-0132	1		Lower Housing Assembly
55	618-0133A	1	/P	Upper Housing Assembly
56	749-1095	1		Upper Handle
57	1539-019	1		Push Nut
58	711-0737	1	S	Stud Pin.250 x 1.75
59	746-0714	1	S	Clutch Cable 56"
60	731-1735	1	S	Upper Clutch Cover
61	731-0620A	1	/P	Drive Lever
62	731-1736	1		Lower Clutch Cover
63	710-0841	1	/P	Screw #10-12 x.750
64	731-1059	1	S	Mounting Cable Cap
65	710-1331	1		Screw #10-16 x 1.25
66	710-0805	1	/P	Hex Cap Screw 5/16-18 x
67	736-0451	1	S	Shoulder Washer.320 ID x.93
68	712-3004A	1	/P	Hex Flange Lock Nut 5/16-
69	726-0214	1	/P	Push Cap
70	712-0380	1		Hex Nut 1/4-28
71	781-0647	1		Discharge Chute Bracket
72	710-3008	1	/P	Hex Cap Screw 5/16-18 x.
73	747-0815	1		Eye Bolt
74	710-0896	1	/P	Hex Washer Screw 1/4-14
75	731-1646	1		Belt Cover
76	719-0359	1		Engine Mounting Adapter
77	736-0264	1	S	Flat Washer.330 ID x.630
78	741-0487A	1	S	Flange Bearing.632 ID
79	736-0366	1	/P	Flat Washer 5/8 ID x 1.0
80	710-3103	1	/P	Hex Cap Screw 5/16-18 x
81	749-1094	1		Lower Push Handle
82	710-0502A	1	/P	Screw 3/8-16 x 1.25
83	710-0604A	1	/P	Hex Washer Screw 5/16-18
84	741-0413	1	S	Hex Flange Bearing.631 x.720
85	681-0097A	1	/P	Frame Assembly
86	781-0700	1	S	Axle Bracket
87	781-0697	1	S	Transmission Cover
88	747-0924	1		Lock Pin
89	732-0306	1	S	Compression Spring

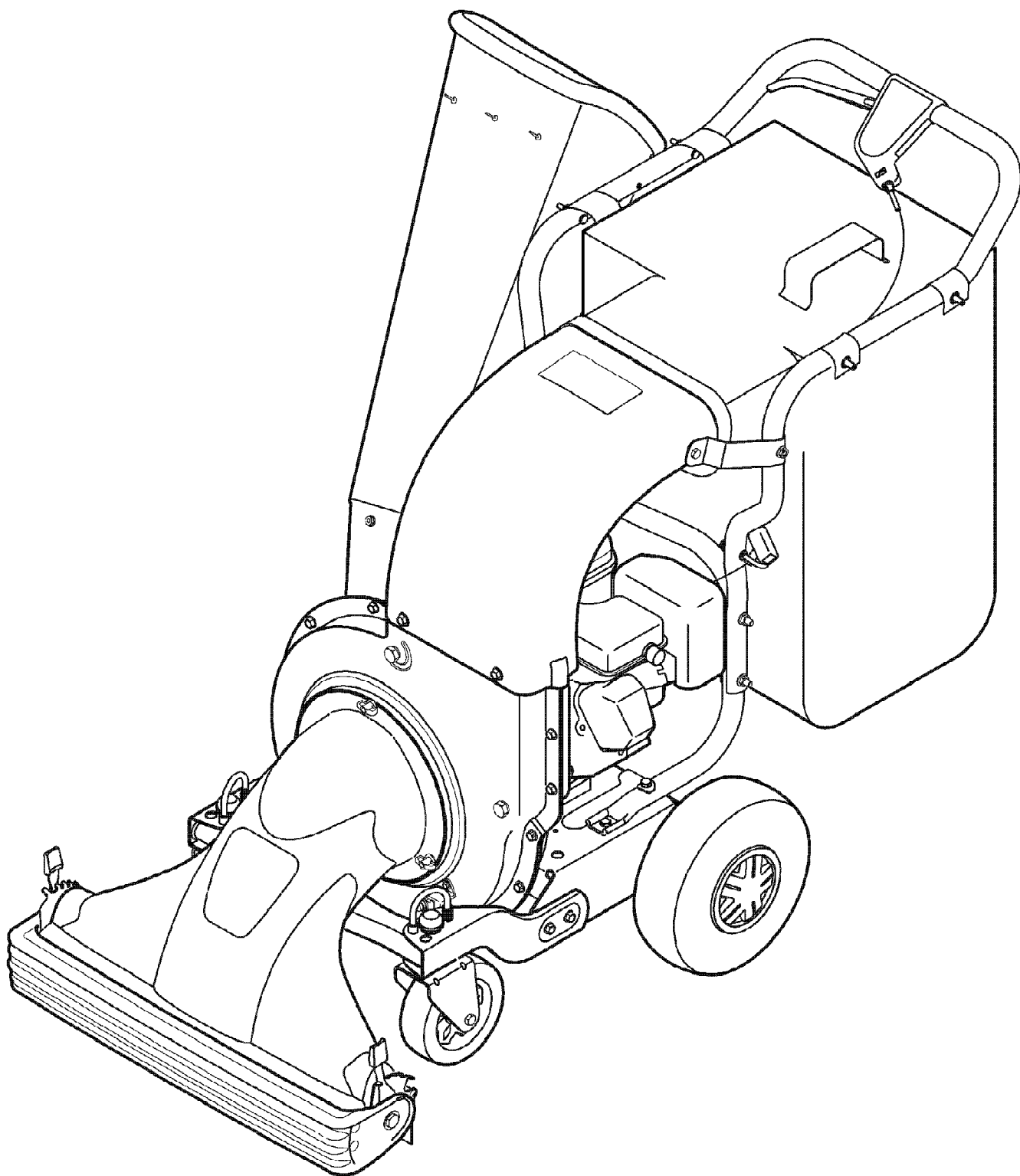


Ref #	Part Number	Qty	S/P/F	Description
1	781-0633	1		Chute Flap Strip
2	735-0249	1	S	Chute Flap
3	728-0175	1		Pop Rivet
4	731-1838A	1	/P	Discharge Chute
5	764-04001	1	S	Bag
6	631-0086	1	/P	Nozzle Assembly
7	731-1831	1		Nozzle Flap
8	710-0969	1	/P	Screw
9	720-0190	1	S	Height Adjustment Knob
10	732-0754	1		Spring Lever
11	781-0702	1	S	Index Bracket RH
12	781-0703	1	S	Index Bracket LH
13	738-0913	1	S	Shoulder Screw
14	736-3084	1	/P	Flat Washer.510 x 1.12 x.060
15	712-0431	1	S	Hex Flange Lock Nut 3/8-16
16	631-0049	1		Door Assembly
17	731-1574A	1	/P	Chipper Chute
18	710-0751	1	/P	Hex Cap Screw 1/4-20 x.620
19	736-0173	1	/P	Flat Washer.28 ID x.74 OD
20	712-3027	1	S	Hex Lock Nut 1/4-20
21	781-0780	1	S	Support Bracket
22	681-0068A	1	/P	Chipper Chute Assembly
23	712-3010	1	S	Hex Nut, 5/16-18
24	736-0242	1	/P	Belleville Washer,.340ID x.872OD
25	681-0116	1	S	Impeller Assembly: Complete
26	719-0329	1		Flail Blade
27	715-0166	1		Spiral Pin
28	681-0107	1	S	Impeller Assembly
29	711-0833B	1	S	Clevis Pin
30	736-0119	1	S	Lock Washer 5/16
31	710-1054	1	/P	Cap Screw 5/16-24 x 1.0
32	742-0544	1	S	Chipper Blade
33	712-0411	1	S	Hex Lock Nut 5/16-24
34	736-0247	1	/P	Flat Washer.406 x 1/1/4
35	736-0217	1	S	Lock Washer 3/8
36	710-1273	1		Hex Cap Screw 3/8-24 x
37	723-0438	1		Rubber Seal
38	710-0604A	1	/P	Hex Washer Screw 5/16-18
39	712-0384	1	S	Hex Lock Nut 1/2-13
40	781-0627	1		Chipper Blade Cover
41	712-3004A	1	/P	Hex Flange Lock Nut 5/16-18
42	681-0098	1		Housing Assembly: Inner Flail
43	781-0599	1	S	Upper Shredder Blade
44	710-0772	1	/P	Hex Cap Screw 5/16-18 x 2
45	781-0653	1	S	Flail Housing Blade
46	710-3008	1	/P	Hex Cap Screw 5/16-18 x.75
47	719-0326	1		Discharge Screen
48	681-0060	1	/P	Housing Assembly: Outer Flail
49	629-0241A	1	S	Wire Harness
50	710-0896	1	/P	TT Screw 1/4-14 x 0.625"
51	726-0272	1	/P	Clamp
52	710-0382	1		Hex Cap Screw 1/2-13 x 5.
53	712-0421	1		Knob 5/16-18

24A-204B766 Chipper Shredder Vac (2006)
General Assembly

Page 6 of 8

Ref #	Part Number	Qty	S/P/F	Description
54	725-3166	1	S	Switch
55	731-1613	1	S	Safety Switch Mounting Cover
56	710-1268	1	/P	Hex Washer Screw
57	725-1700	1	S	Switch Cover
58	710-1260A	1	/P	LD Screw 5/16-18 x 0.75"
59	781-0735	1		Retaining Pin Clip
60	731-1617	1	/P	Tamper Plug If equipped
61	710-0157	1	/P	Hex Cap Screw 5/16-24 x.75
62	736-3008	1	S	Flat Washer.344 x.75 x.12
63	747-0929A	1		Belt Keeper
64	629-0923	1		Adapter Harness Assembly
65	736-0366	1	/P	Flat Washer 5/8 ID x 1.0
66	634-0244	1	/P	Wheel Complete 10 x 4 x
67	712-0456	1	S	Hex Nut 1/4-20
68	10622B	1	S	Plastic Spring Ratchet
69	748-0405	1		Wheel Ratchet 1.62 OD x.5
70	714-0104	1	S	Cotter Pin
71	748-0188B	1	S	Pawl LH.345 ID
71	748-0381	1		Pawl RH.345 ID
72	712-3027	1	S	Hex Flanged Lock Nut 1/4-20
73	734-1984	1		Hub Cap
	725-0157	1	/P	Cable Tie (Not Shown)
	723-0400	1	/P	Safety Glasses (Not Shown)



Ref #	Part Number	Qty	S/P/F	Description
	759-3336	1	/P	Spark Plug
	BS-493537S	1	/P	Pre Filter - Flat
	BS-273356S	1	/P	Pre Filter - High Mount
	BS-491588S	1	/P	Air Filter - Flat
	BS-697029	1	/P	Air Filter - High Mount
	BS-694485	1		Fuel Filter - Long
	BS-394358S	1	/P	Fuel Filter - Short
	681-0116	1	S	Impeller Assembly
	742-0544	1	S	Chipper Blade
	719-0329	1		Flail Blade
	719-0326	1		Screen Assembly
	681-0068A	1	/P	Chipper Chute
	754-0457	1	S	Drive Belt
	746-0714	1	S	Drive Control Cable
	N/A	1		Speed Control Cable
	713-0422	1	S	Chain
	725-3166	1	S	Safety Switch
	N/A	1		Handle Knob
	734-1804A	1	/P	Wheels - Front
	634-0244	1	/P	Wheels - Rear
	734-1984	1		Hub Cap
	764-04001	1	S	Grass Bag
	731-1838A	1	/P	Bag Chute Assembly