

24A-202G066 Chipper Shredder Vac (2010)
CSV 206 Frame

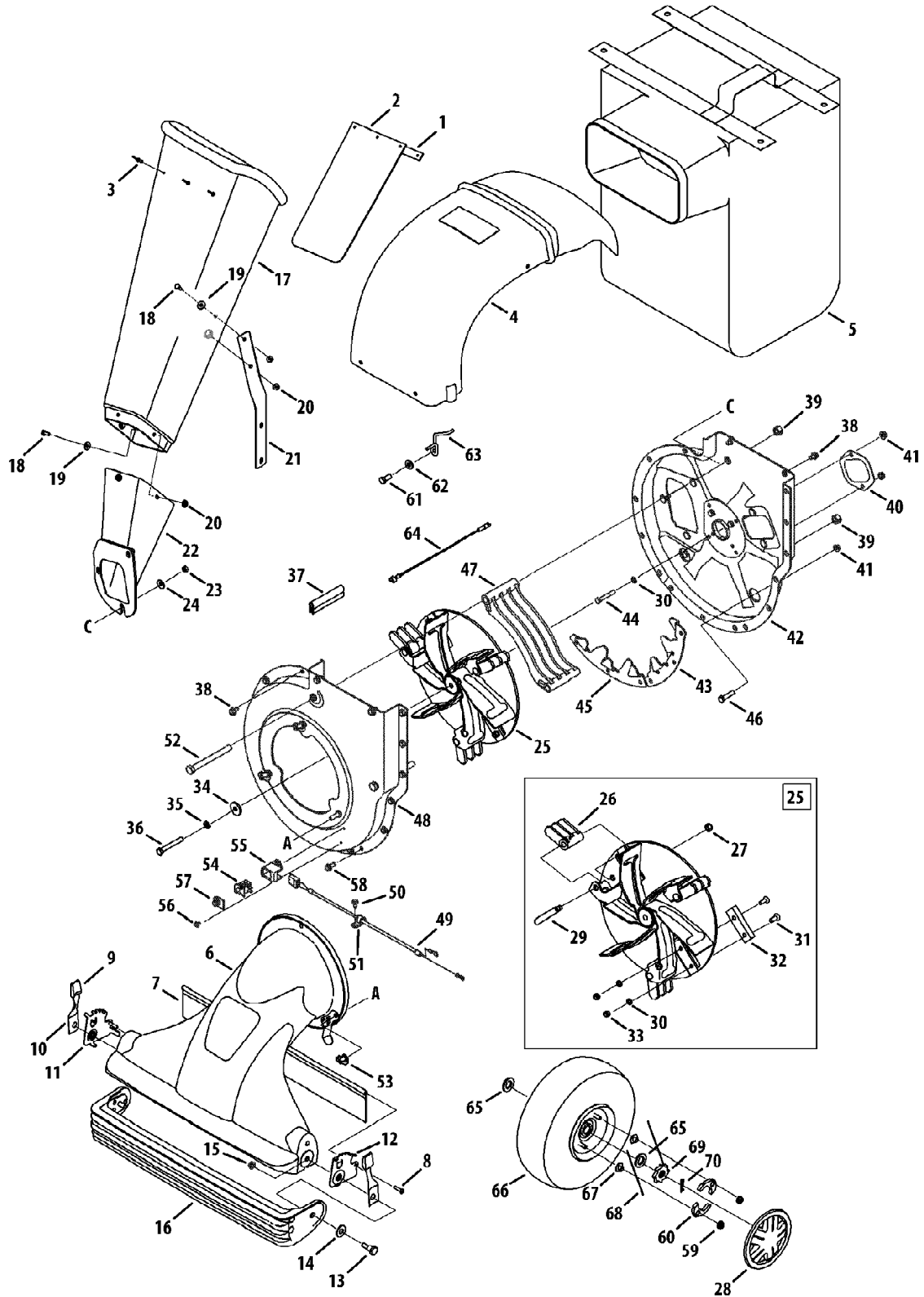
Page 2 of 12

Ref #	Part Number	Qty	S/P/F	Description
1	781-0677-0637	1		Chain Case - LH
2	781-0676-0637	1		Chain Case - RH
3	954-0457	1	/P	V-Belt
4	748-0313	1		Spacer
5	941-0413	1	/P	Hex Flange Bearing
6	936-0336	1	/P	Flat Washer
7	913-0422	1	/P	Chain
8	710-0896	1	/P	TT Screw, 1/4-14 x 0.625"
9	710-0603	1	/P	Hex Washer Screw, 5/16
10	618-0256	1		Chipper Shredder Trans. Ass'y.
11	611-0063	1		Axle Assembly
12	734-1804A	1	/P	Wheel, 6.0 x 2.0
13	750-1042	1		Spacer
14	912-0431	1	/P	Flange Lock Nut, 3/8-16
15	710-0521	1	/P	Hex Cap Screw, 3/8-16 x 3.0
16	681-0088-0638	1		Bracket Assembly
17	736-0931	1	/P	Flat Washer, .203 ID x.403 OD
18	937-3000	1	/P	Grease Fitting, 3/16
19	681-0087-0638	1		Bracket Assembly
20	914-0104	1	/P	Cotter Pin
21	749-1095-0638	1		Upper Handle
22	1539-019	1		Push Nut
23	911-0737	1	/P	Stud Pin, .250 x 1.75
24	946-0714	1	/P	Clutch Cable - 56"
25	753-0832	1	/P	Upper Clutch Cover
26	731-0620A	1	/P	Drive Lever
27	731-1736	1		Lower Clutch Cover
28	710-0841	1	/P	Screw, #10-12 x.750
29	753-0833	1	/P	Mounting Cable Cap
30	710-1331	1		Screw, #10-16 x 1.25
31	710-0805	1	/P	Hex Cap Screw, 5/16-18 x 1.50
32	936-0451	1	/P	Shldr. Washer, .320 ID x.93 OD
33	712-3004A	1	/P	Hex Flange Lock Nut, 5/16-18
34	726-0214	1	/P	Push Cap
35	712-0380	1		Hex Nut, 1/4-28
36	781-0647-0638	1		Discharge Chute Bracket
37	710-3008	1	/P	Hex Cap Screw, 5/16-18 x.75
38	747-0815	1		Eye Bolt
39	710-0896	1	/P	Hex Washer Screw, 1/4-14 x.625
40	731-1646	1		Belt Cover
41	719-0359	1		Engine Mounting Adapter
42	936-0264	1	/P	Flat Washer, .330 ID x.630 OD
43	741-0487C	1	/P	Flange Bearing, .632 ID
44	736-0366	1	/P	Flat Washer, 5/8 ID x 1.0 OD
45	710-3103	1	/P	Hex Cap Screw, 5/16-18 x 1.75
46	749-1094-0638	1		Lower Push Handle
47	710-0502A	1	/P	Screw, 3/8-16 x 1.25
48	710-0604A	1	/P	Hex Wash. Screw, 5/16-18 x.625
49	941-0413	1	/P	Hex Flange Bearing, .631 x.720
50	681-0097A-0638	1		Frame Assembly
51	781-0700-0637	1	/P	Axle Bracket
52	781-0697-0637	1	/P	Transmission Cover
53	747-0924	1		Lock Pin

24A-202G066 Chipper Shredder Vac (2010)
CSV 206 Frame

Page 3 of 12

Ref #	Part Number	Qty	S/P/F	Description
54	932-0306A	1	/P	Compression Spring
55	725-0157	1	/P	Cable Tie
	723-0400	1	/P	Safety Glasses (Not Shown)



24A-202G066 Chipper Shredder Vac (2010)
CSV 206 Impeller

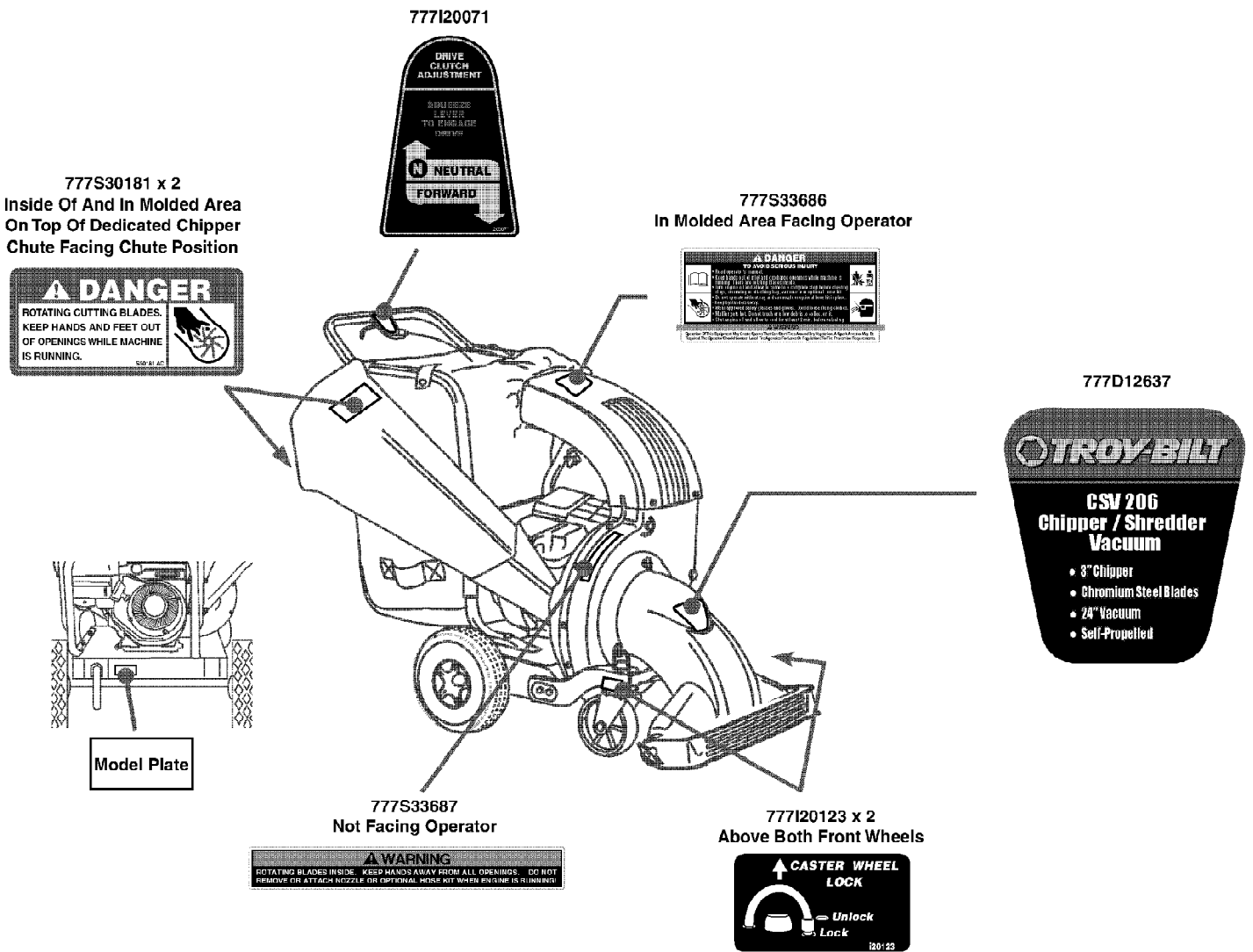
Page 5 of 12

Ref #	Part Number	Qty	S/P/F	Description
1	781-0633	1		Chute Flap Strip
2	735-0249A	1	/P	Chute Flap
3	728-0175	1		Pop Rivet
4	731-1838A	1	/P	Discharge Chute
5	964-04001	1	/P	Bag
6	631-0086	1	/P	Nozzle Assembly
7	731-1831	1		Nozzle Flap
8	710-0969	1	/P	Screw
9	720-0426	1	/P	Height Adjustment Knob
10	732-0754	1		Spring Lever
11	781-0702-0637	1	/P	Index Bracket RH
12	781-0703-0637	1	/P	Index Bracket LH
13	938-0913	1	/P	Shoulder Screw
14	736-3084	1	/P	Flat Washer, .510 x 1.12 x.060
15	912-0431	1	/P	Hex Flange Lock Nut, 3/8-16
16	631-0049	1		Door Assembly
17	731-1574A	1	/P	Chipper Chute
18	710-0751	1	/P	Hex Cap Screw, 1/4-20 x.620
19	736-0173	1	/P	Flat Washer, .28 ID x.74 OD
20	912-3027	1	/P	Hex Lock Nut, 1/4-20
21	781-0780-0637	1	/P	Support Bracket
22	681-0068A-0638	1	/P	Chipper Chute Assembly
23	912-3010	1	/P	Hex Nut, 5/16-18
24	736-0242	1	/P	Bell Washer, .340ID x.872OD
25	981-04091	1	/P	Impeller Assembly Complete
26	719-04308	1		Flail Blade
27	712-0266A	1	/P	Jam Lock Nut, 3/8-16
28	734-1984	1		Hub Cap
29	738-04286A	1	/P	Shoulder Pin, .5 x 2.625
30	936-0119	1	/P	Lock Washer, 5/16
31	710-1054	1	/P	Cap Screw 5/16-24 x 1.0
32	942-0544B	1	/P	Chipper Blade
33	912-0411	1	/P	Hex Lock Nut 5/16-24
34	736-0247	1	/P	Flat Washer, .406 x 1/1/4
35	936-0217	1	/P	Lock Washer, 3/8
36	710-1273	1		Hex Cap Screw, 3/8-24 x 2.75
37	723-0438	1		Rubber Seal
38	710-0604A	1	/P	Hex Washer Screw, 5/16-18
39	912-0384	1	/P	Hex Lock Nut, 1/2-13
40	781-0627-0638	1		Chipper Blade Cover
41	712-3004A	1	/P	Hex Flange Lock Nut 5/16-18
42	681-0098-0638	1		Housing Assembly, Inner Flail
43	781-0599-0637	1	/P	Upper Shredder Blade
44	710-0772	1	/P	Hex Cap Screw, 5/16-18 x 2
45	781-0653-0637	1	/P	Flail Housing Blade
46	710-3008	1	/P	Hex Cap Screw, 5/16-18 x.75
47	719-0326	1		Discharge Screen
48	681-0060-0638	1		Housing Assembly, Outer Flail
49	929-0241A	1	/P	Wire Harness
50	710-0896	1	/P	TT Screw, 1/4-14 x 0.625"
51	726-0272	1	/P	Clamp
52	710-0382	1		Hex Cap Screw, 1/2-13 x 5.0
53	712-0421	1		Knob, 5/16-18

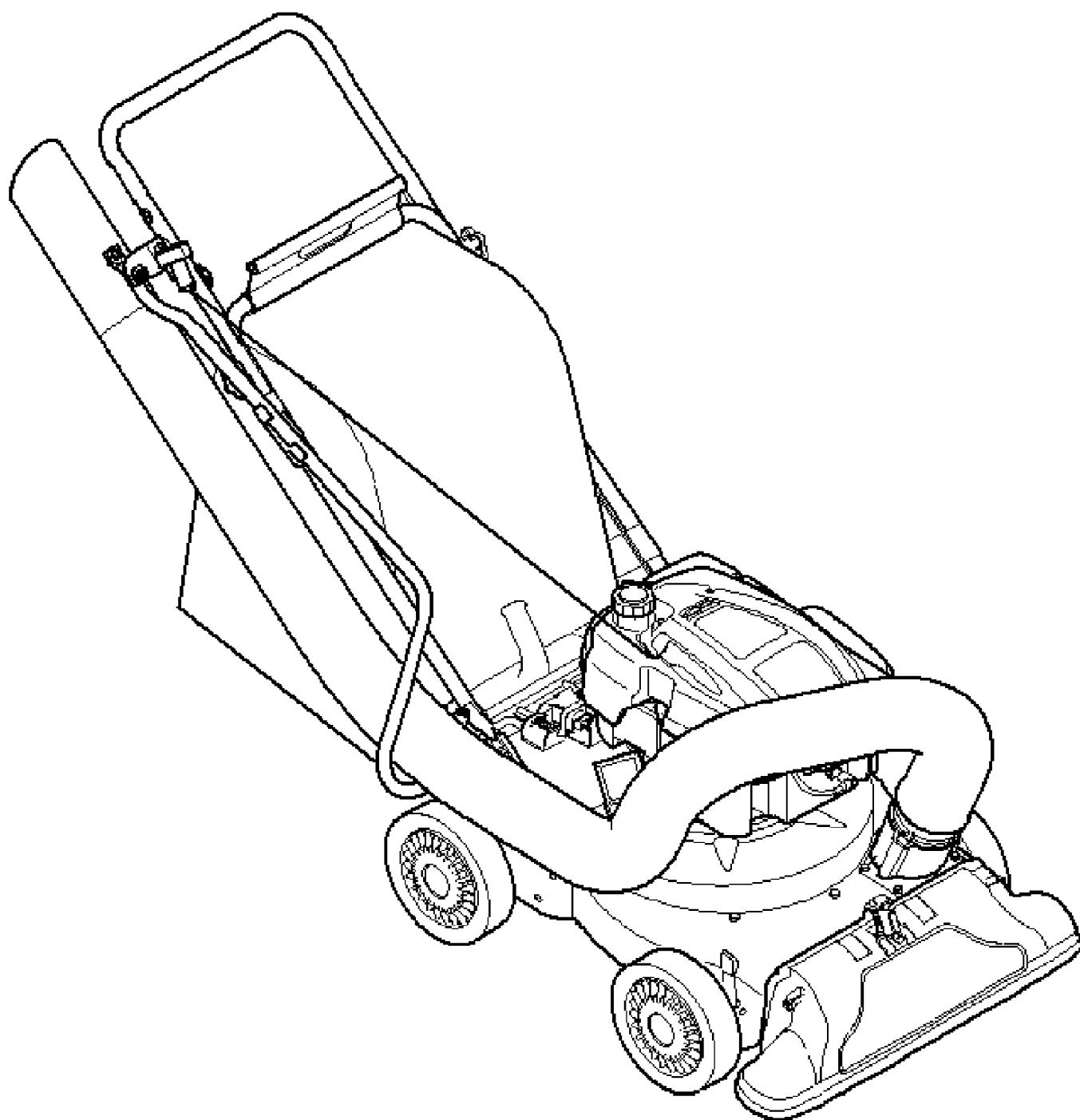
24A-202G066 Chipper Shredder Vac (2010)
CSV 206 Impeller

Page 6 of 12

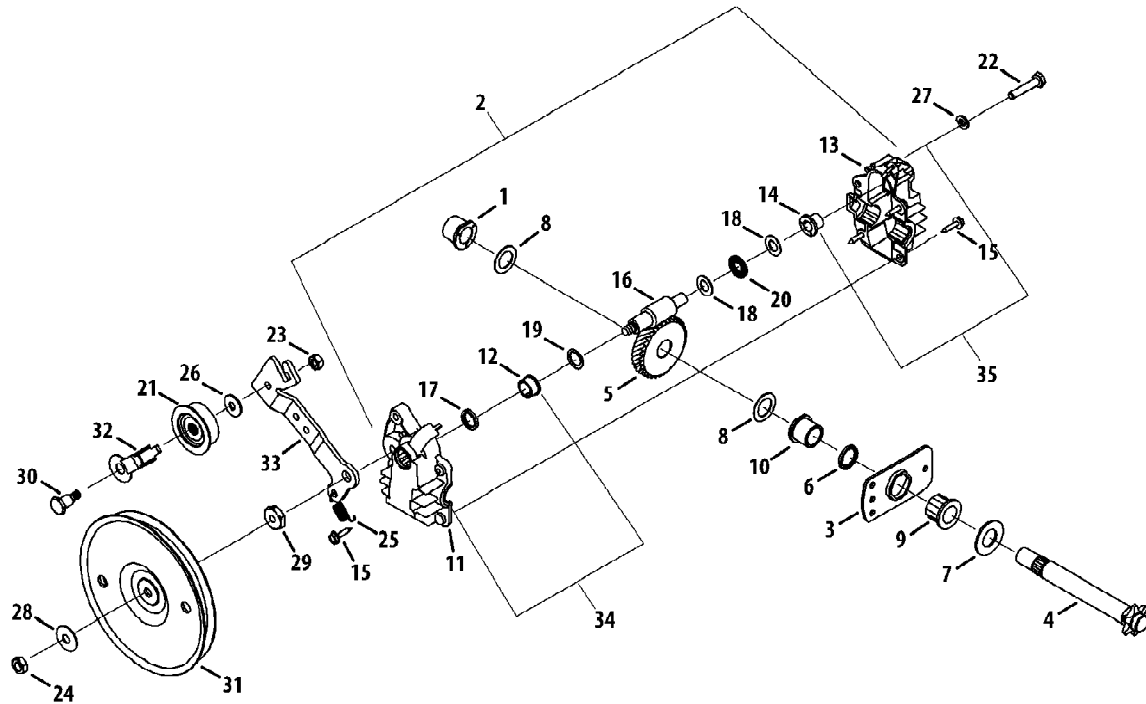
Ref #	Part Number	Qty	S/P/F	Description
54	925-3166	1	/P	Switch
55	931-1613	1	/P	Safety Switch Mounting Cover
56	710-1268	1	/P	Hex Washer Screw
57	925-1700	1	/P	Switch Cover
58	710-1260A	1	/P	LD Screw, 5/16-18 x 0.75"
59	912-3027	1	/P	Hex Flanged Lock Nut, 1/4-20
60	948-0188B	1	/P	Pawl, .345 ID - LH
60	748-0381	1		Pawl, .345 ID - RH
61	710-0157	1	/P	Hex Cap Screw, 5/16-24 x.75
62	936-3008	1	/P	Flat Washer, .344 x.75 x.12
63	747-0929A	1		Belt Keeper
64	629-0923	1		Adapter Harness Assembly
65	736-0366	1	/P	Flat Washer, 5/8 ID x 1.0 OD
66	634-0244	1	/P	Wheel Complete 10 x 4 x 4
67	912-0456	1	/P	Hex Nut, 1/4-20
68	10622BP	1	/P	Plastic Spring Ratchet
69	748-0405	1		Wheel Ratchet 1.62 OD x.5 serr
70	914-0104	1	/P	Cotter Pin



Ref #	Part Number	Qty	S/P/F	Description
777S30181	777S30181	1	/P	LABEL-TOP CHUTE DANGER
777S33687	777S33687	1		LABEL-FLAIL HSG WRNG
777I20123	777I20123	1		LABEL-CASTOR WHL LK
777D12637	777D12637	1		LABEL-CSV FRONT NOZZLE CSV 206
777S33686	777S33686	1		LABEL-CHUTE DNGR/WRNG
777I20071	777I20071	1		LABEL-SELF PROPELL



Ref #	Part Number	Qty	S/P/F	Description
	759-3336	1	/P	Spark Plug
	BS-273356S	1	/P	Pre Filter High Mount
	BS-697029	1	/P	Air Filter High Mount
	BS-493537S	1	/P	Pre Filter Flat
	BS-491588S	1	/P	Air Filter Flat
	BS-298090S	1	/P	Fuel Filter Short
	BS-694485	1		Fuel Filter Long
	BS-792647	1	/P	Fuel Cap
	981-04091	1	/P	Impeller Assembly
	942-0544B	1	/P	Chipper Blade
	719-04308	1		Flail Blade
	719-0326	1		Screen Assembly
	681-0068A-0638	1	/P	Chipper Chute
	954-0457	1	/P	Drive Belt
	946-0714	1	/P	Drive Control Cable
	913-0422	1	/P	Chain
	925-3166	1	/P	Safety Switch
	720-0426	1	/P	Handle Knob
	734-1804A	1	/P	Wheels - Front
	634-0244	1	/P	Wheels - Rear
	734-1984	1		Hub Cap
	964-04001	1	/P	Grass Bag
	N/A	1		Bag Chute Assembly



24A-202G066 Chipper Shredder Vac (2010)
CSV 206 Transmission

Page 12 of 12

Ref #	Part Number	Qty	S/P/F	Description
1	941-0415	1	/P	Flange Bearing.566 ID
2	918-0255	1	/P	Shredder Transmission Assembly
3	16500A-0637	1	/P	Hex Bearing Cup
4	911-1118	1	/P	Output Shaft 6T Sprocket
5	717-1432	1		Helical 34T Gear
6	721-0213	1	/P	Oil Seal
7	736-0187	1	/P	Flat Washer, .64 ID x 1.24 OD
8	936-0336	1	/P	Flat Washer, 5/8 x 1.0
9	941-0413	1	/P	Hex Flange Bearing, .631 ID
10	741-0414	1		Flange Bearing, .629 ID
11	719-0325	1		Lower Housing
12	748-0373	1		Flange Bearing, .503 ID
13	719-0324A	1		Upper Housing
14	748-0208A	1	/P	Flange Bearing, .378 ID
15	710-0589	1	/P	Hex Washer Screw, #10-16 x.75
16	717-1433	1		Pinion Shaft 10T
17	921-0329	1	/P	Oil Seal
18	936-0314	1	/P	Thrust Washer, .382 ID x.684 OD
19	936-0520	1	/P	Flat Washer, .504 ID x.70 OD
20	741-0479	1		Thrust Bearing, .375 ID x.812 OD
21	956-0008	1	/P	Idler Pulley Assembly W/ Bearing
21	956-0558	1	/P	Idler Pulley Only Not shown
21	941-0556	1	/P	Needle Bearing Only Not shown
22	710-1062	1		Hex Cap Screw, 1/4-20 x 1.25
23	912-0138	1	/P	Hex Nut, 1/4-28
24	912-3045	1	/P	Hex Jam Nut, 5/16-24 LH Thd
25	932-0357A	1	/P	Extension Spring, 1.12 Lg
26	736-0270	1	/P	Bell Washer, .265 ID x.75 OD
27	936-0329	1	/P	Lock Washer, 1/4
28	936-0425	1	/P	Bell Washer, .325 ID x.930 OD
29	738-0440	1		Shoulder Spacer, .375 ID x.165 OD
30	938-0826	1	/P	Shoulder Bolt, 1/4-28 x.375
31	756-0656	1	/P	Flat Pulley 5.06 Dia
32	782-7569	1		Belt Keeper
33	682-0054	1	/P	Idler Bracket
34	618-0132	1		Lower Housing Assembly
35	618-0133A	1	/P	Upper Housing Assembly