

24A-07MM066 Chipper Shredder Vac (2010)  
CSV 070 Drive & Frame

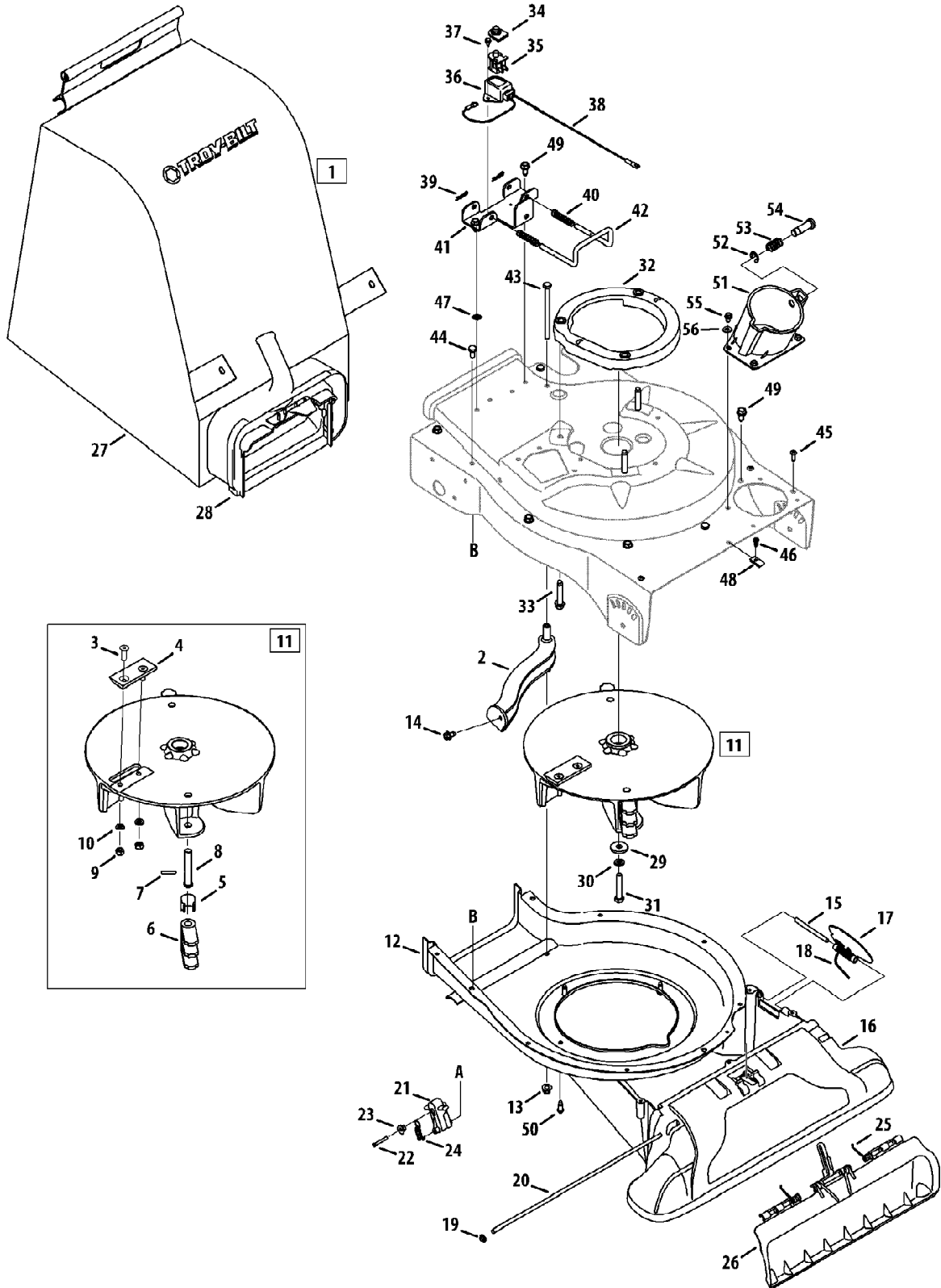
Page 2 of 10

Ref #	Part Number	Qty	S/P/F	Description
1	981-0156A-0638	1	/P	Handle Bracket Assembly RH
1	981-0155A-0638	1	/P	Handle Bracket Assembly LH (Not Shown)
2	749-04163-0637	1		Upper Handle
3	720-0279	1	/P	Knob
4	710-1205	1	/P	Eye Bolt
5	781-1056-0637	1	/P	Upper Handle Bracket
6	710-0726	1	/P	Hex Cap Screw, 5/16-12 x.750
7	720-04072A	1	/P	Handle Knob, 5/16-18
8	710-1174	1	/P	Carriage Bolt
9	731-04911	1		Nozzle Handle Clip
10	749-04165-0637	1	/P	Lower Handle
11	711-1293	1	/P	Studs
12	710-0703	1	/P	Carriage Screw, 1/4-20 x.75
13	912-0397	1	/P	Wing Nut, 1/4-20
14	710-1611B	1	/P	TT Screw, 5/16-18 x .750
15	710-0599	1	/P	Screw, 1/4-20 x .500
16	912-0442	1	/P	Cap Lock Nut, 1/4-20
17	912-0291	1	/P	Hex Lock Nut, 1/4-20
18	731-06445	1		Hose Extension
19	723-04008A	1	/P	Chute Strap
20	911-04069	1	/P	Pin
21	782-7598	1		Belt Keeper
22	936-3020	1	/P	Flat Washer.271 ID x.630 OD
23	781-04266-0638	1		Upper Flail Housing
24	746-04156	1		Drive Control Cable
25	731-1820	1	/P	Cable Guide
26	681-04088-0638	1		Chipper Chute Assembly
27	746-04155	1		Speed Control Cable
28	710-1122	1	/P	Hex Screw, 1/4-20 x 2.50
29	710-04666	1		Screw, 1/4-20 x .75
30	712-04064	1	/P	Flange Lock Nut, 1/4-20
31	748-0457	1		Spacer
32	731-2478	1		Hose Nozzle
33	710-3288	1		Hex Cap Screw, 1/4-20 x 2.625
34	723-0295	1	/P	Adjustment Clamp
35	749-1270A	1	/P	Nozzle Handle
36	764-0648A	1	/P	Vacuum Hose
37	720-0369	1		Handle Plug
38	731-06469	1		Hose Adapter
39	747-04305A	1		Drive Control
40	725-0157	1	/P	Cable Tie
41	918-04460	1	/P	Transmission Assembly
42	981-04027	1		Idler Assembly (Incl. Ref.# 76-79)
43	710-1650	1	/P	Shoulder Screw, #12-24 x .30 x .46
44	710-1220	1	/P	Screw, #12-16 x .750
45	911-04245	1	/P	Impeller Hub
46	915-0221	1	/P	Dowel Pin
47	781-04082-0637	1	/P	Front Wheel Support Brace
48	781-04081-0637	1	/P	Rear Wheel Support Brace
49	914-0104	1	/P	Cotter Pin
50	916-0104	1	/P	E-Ring
51	936-3004	1	/P	Flat Washer, .406 x .875 x .105
52	936-0232	1	/P	Wave Washer, .531 ID x.781 OD

24A-07MM066 Chipper Shredder Vac (2010)  
CSV 070 Drive & Frame

Page 3 of 10

Ref #	Part Number	Qty	S/P/F	Description
53	738-1015	1		Shoulder Screw, 3/8-16
54	734-04018B	1	/P	Wheel, 8 x 2.125
55	716-0865	1	/P	Snap Ring
56	741-04242	1		Height Adjustment Bearing
57	687-02342	1		Pivot Arm Assembly
58	720-0426	1	/P	Height Adjustment Knob
59	732-1026	1		Spring Lever
60	736-0741	1	/P	Bell Washer, .760 ID x.25 OD
61	738-1172	1	/P	Shoulder Screw, .750 x.500
62	987-02051	1	/P	Height Lever Assembly (Incl. Ref.# 58-59)
63	734-04033	1	/P	Wheel 8 x 2
64	710-1652	1	/P	Screw, 1/4-20 x .625
65	712-04065	1	/P	Flange Lock Nut, 3/8-16
66	731-04879	1		Belt Cover
67	936-0314	1	/P	Thrust Washer, .375 ID x.70 OD
68	731-04643	1	/P	Wheel Cover
69	732-04217	1		Extension Spring, .375 x 2.95
70	936-0369	1	/P	Flat Wash, .508ID x1.00OD x.020
71	738-0930	1	/P	Shoulder Screw, .560 x.165
72	741-04108	1		Drive Axle Bushing
73	781-04078-0637	1	/P	Transmission Mounting Bracket
74	710-0597	1	/P	Screw, 1/4-20 x 1.00
75	717-1762	1		Spur Gear - RH
75	717-1761	1		Spur Gear - LH (Not Shown)
76	941-0600	1	/P	Ball Bearing
77	750-1050	1		Flange Spacer,.260 x.659 x.517
78	954-0369	1	/P	Belt, 3/8 x 32.5
79	781-04077-0637	1	/P	Idler Bracket
80	747-04985	1		Tube Holder
81	631-04261	1	S	Engine Shroud
82	710-04744	1		Screw, #12-16 x 1.00



24A-07MM066 Chipper Shredder Vac (2010)  
CSV 070 Impeller

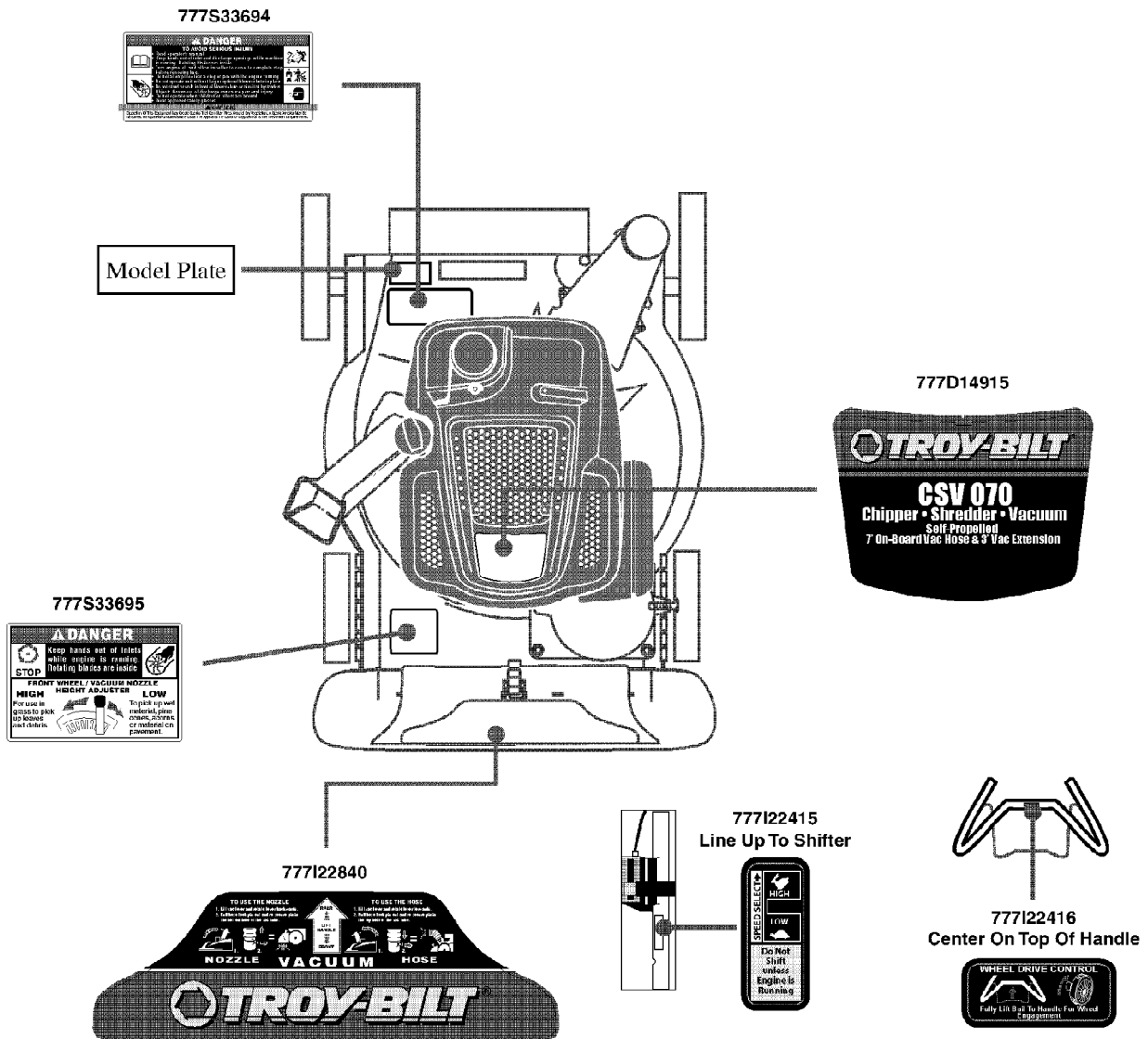
Page 5 of 10

Ref #	Part Number	Qty	S/P/F	Description
1	964-04031	1	/P	Bag Assembly
2	681-0154-0637	1	/P	Screen Assembly
3	710-1054	1	/P	Hex Screw, 5/16-24 x 1.0
4	981-0490	1	/P	Chipper Blade
5	781-0735	1		Pin Clip
6	719-0329	1		Flail
7	715-0166	1		Spiral Pin
8	711-1401	1		Clevis Pin
9	912-0411	1	/P	Lock Nut, 5/16-24
10	936-0119	1	/P	Lock Washer, 5/16
11	981-0152	1	/P	Impeller Assembly (Incl. Ref.# 3 - 10)
12	781-0721B-0638	1	/P	Lower Flail Housing
13	712-04063	1	/P	Flange Lock Nut, 5/16-18
14	710-0607	1	/P	Screw, 5/16-18 x.500
15	747-04297	1		Hinge Pin
16	981-04031	1	/P	Nozzle
17	781-1064	1		Base Adapter Door
18	732-1156	1		Torsion Spring
19	926-0106	1	/P	Cap Speed Nut, 1/4
20	711-1551	1		Pivot Rod
21	731-04967	1		Nozzle Door Lever
22	710-1256	1	/P	Hex Screw, #8-18 x 1.25
23	750-1294	1		Shoulder Spacer
24	732-3118	1		Extension Spring
25	732-1151A	1		Nozzle Door Torsion Spring
26	731-2294A	1	/P	Nozzle Door
27	664-04029	1		Bag
28	631-0083	1		Chute Assembly
29	736-0247	1	/P	Flat Washer, .375 ID x 1.25 OD
30	936-0217	1	/P	Lock Washer, 3/8
31	710-1273	1		Hex Cap Screw, 3/8-24 x 2.75
32	631-04118	1		Engine Spacer Assembly
33	710-1008	1		Screw, 3/8-16 x 1.875
34	925-1700	1	/P	Switch Cover
35	925-3166	1	/P	Safety Switch
36	931-1613	1	/P	Safety Switch Cover
37	910-0224	1	/P	Hex Washer Screw, #10-16 x.50
38	629-0920A	1	/P	Wire Harness
39	914-0104	1	/P	Cotter Pin
40	732-0962	1		Compression Spring
41	781-0778A-0637	1	/P	Mounting Bracket
42	747-1153	1		Lock Rod
43	710-3195	1		Hex Cap Screw, 5/16-18 x 4.5
44	710-3025	1	/P	Hex Cap Screw, 5/16-18 x.625
45	710-1220	1	/P	Screw, #12-16 x.750
46	710-0351	1	/P	Screw, #10 - 16 x.500
47	736-0607	1	/P	External L-Washer, 5/16
48	726-0139	1	/P	Speed Nut
49	710-0726	1	/P	Hex Index Screw, 5/16-12 x.750
50	710-1650	1	/P	Shldr. Screw, #12-24 x .30 x .46
51	681-0195	1	/P	Hose Base Adapter Assembly (Incl. Ref.# 52-54)
52	916-0104	1	/P	E Ring, .500 Dia

24A-07MM066 Chipper Shredder Vac (2010)  
CSV 070 Impeller

Page 6 of 10

Ref #	Part Number	Qty	S/P/F	Description
53	932-3035	1	/P	Compression Spring
54	711-1571	1		Clevis Pin
55	710-0599	1	/P	Screw, 1/4-20 x .500
56	936-3020	1	/P	Flat Washer, .271 ID x.630 OD
	723-0400	1	/P	Safety Glasses (Not Shown)



24A-07MM066 Chipper Shredder Vac (2010)  
CSV 070 Label Map

Page 8 of 10

Ref #	Part Number	Qty	S/P/F	Description
777S33694	777S33694	1		LABEL-DANGER/WARNING FLAIL HSG
777S33695	777S33695	1		LABEL-DANGER/HGHT ADJUST
777I22840	777I22840	1		LABEL-CSV NOZZLE TROY
777I22415	777I22415	1		LABEL-HANDLE
777I22416	777I22416	1		LABEL-HANDLE
777D14915	777D14915	1		LABEL-M5 SHROUD 173CC T-BILT 070 CSV





Ref #	Part Number	Qty	S/P/F	Description
	Not Available	1		Spark Plug
	Not Available	1		Pre Filter
	Not Available	1		Air Filter
	Not Available	1		Fuel Filter
	Not Available	1		Fuel Cap
	981-0152	1	/P	Impeller Assembly
	981-0490	1	/P	Chipper Blade
	719-0329	1		Flail Blade
	681-0154-0637	1	/P	Screen Assembly
	681-04088-0638	1		Chipper Chute
	954-0369	1	/P	Drive Belt
	746-04156	1		Drive Control Cable
	746-04155	1		Speed Control Cable
	N/A	1		Chain
	925-3166	1	/P	Safety Switch
	720-04072A	1	/P	Handle Knob
	734-04033	1	/P	Wheels - Front
	734-04018B	1	/P	Wheels - Rear
	N/A	1		Hub Cap
	664-04029	1		Grass Bag
	964-04031	1	/P	Bag Chute Assembly