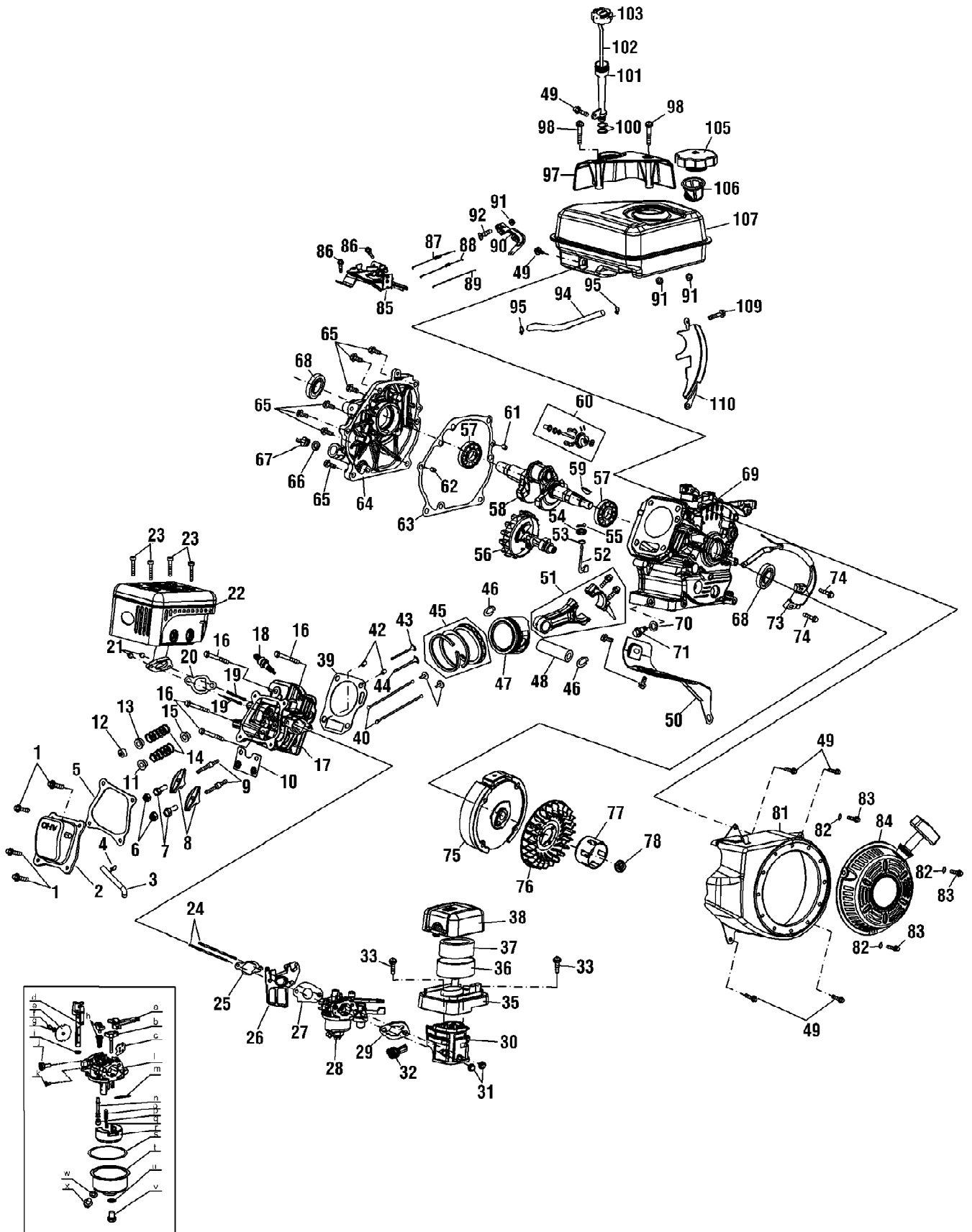


21C-65M1066 Super Bronco CRT Roto-Tiller (2010)
Drive System

Page 2 of 20

| Ref # | Part Number | Qty | S/P/F | Description |
|-------|----------------|-----|-------|--|
| 1 | 684-04168 | 1 | | Idler Pulley Assembly, 1.917 OD |
| 2 | 710-0151 | 1 | /P | Hex Head Screw, 3/8-24 x 2.00 |
| 3 | 710-0170 | 1 | | Hex Head Screw, 5/16-24 x .625 |
| 4 | 710-0502A | 1 | /P | Screw, 3/8-16 x 1.250 |
| 5 | 710-0599 | 1 | /P | Screw, 1/4-20 x 0.500 |
| 6 | 710-0606 | 1 | /P | Hex Head Screw, 1/4-20 x 1.50 |
| 7 | 710-0672 | 1 | /P | Hex Head Screw, 5/16-24 x 1.25 |
| 8 | 710-1880 | 1 | | Hex Head Screw, 5/16-18 x .75, Patch |
| 9 | 721-04271 | 1 | | Oil Plug |
| 10 | 712-04064 | 1 | /P | Flangelock Nut, 1/4-20 |
| 11 | 712-0700 | 1 | /P | Flange Nut, 9/16-18 |
| 12 | 718-04407 | 1 | | Pulley Hub, 5/8 SPLINE |
| 13 | 732-04085 | 1 | /P | Extension Spring, .480 OD x 5.00 LG |
| 14 | 732-04276A | 1 | /P | Extension Spring, LT5 PTO |
| 15 | 936-0119 | 1 | /P | Washer, Lock, 5/16 |
| 16 | 736-0173 | 1 | /P | Washer, Flat, .28 x .74 x .063 |
| 17 | 736-0315 | 1 | /P | Washer, Flat, .760 x 1.50 x .120 |
| 18 | 736-0343 | 1 | /P | Washer, Flat, .330 x 1.25 x .120 |
| 19 | 936-0452 | 1 | /P | Washer, Bell, .396 x 1.140 x .095 |
| 20 | 753-06042 | 1 | S | Transmission Assembly |
| 21 | 736-3092 | 1 | /P | Washer, Flat, .265 x 1.0 x .030 |
| 22 | 738-04425 | 1 | | Screw, Shoulder, 1/4-28 x .342 x .335 |
| 23 | 748-04087A | 1 | /P | Forward Idler Pivot Spacer |
| 24 | 750-04571 | 1 | | Spacer, Shoulder, .260 x .785 x .538 |
| 25 | 750-04907 | 1 | | Reverse Idler Pivot Spacer |
| 26 | 1916657 | 1 | /P | V Belt, 4L x 25.375 LG |
| 27 | 1916658 | 1 | /P | V Belt, 3L x 29.125 LG Models with reverse |
| 28 | 756-04198A | 1 | | Engine Pulley, 3L & 4L |
| 29 | 756-04355 | 1 | | Transmission Pulley |
| 30 | 756-0625 | 1 | | Cable Roller |
| 31 | 786-04312 | 1 | | Forward Idler Bracket |
| 32 | 786-04343-0638 | 1 | | Cover Mounting Plate |
| 33 | 786-04346 | 1 | | Reverse Idler Bracket |
| 34 | 786-04357-0638 | 1 | | Pulley Mounting Bracket |
| 35 | 786-04419-0638 | 1 | S | LH Mount Frame |
| 36 | 786-04418-0638 | 1 | S | RH Mount Frame |
| 37 | 786-04371-0638 | 1 | | Pulley Shield |
| 38 | 934-04232 | 1 | /P | Wheel, 13 x 5 x 6 21C-65M Models |
| 38 | 934-04453 | 1 | /P | Wheel Assembly, 11 x 4-4 21C-64M Models |
| 39 | 714-0143A | 1 | | Klik Pin, .25 DIA x 1.56 |



| Ref # | Part Number | Qty | S/P/F | Description |
|-------|-------------|-----|-------|---|
| 1 | 710-04917 | 1 | S | Bolt |
| 2 | 951-11054A | 1 | /P | Valve Cover |
| 2 | 951-11054A | 1 | /P | Valve Cover Furnish 951-11063A, Valve Cover Gasket Kit |
| 3 | 731-07059 | 1 | | Breather Hose |
| 4 | 726-04101 | 1 | | Breather Hose Clamp |
| 5 | 951-11565 | 1 | /P | Valve Cover Gasket |
| 5 | 951-11565 | 1 | /P | Valve Cover Gasket Furnish 951-10798A, Short Block |
| 5 | 951-11565 | 1 | /P | Valve Cover Gasket Furnish 951-11063A, Valve Cover Gasket Kit |
| 5 | 951-11565 | 1 | /P | Valve Cover Gasket Furnish 951-10799, Cylinder Head Assembly |
| 5 | 951-11565 | 1 | /P | Valve Cover Gasket Furnish 951-10819, Cylinder Head Service Kit |
| 5 | 951-11565 | 1 | /P | Valve Cover Gasket Furnish 951-10802A, Gasket Kit Complete |
| 6 | 751-11124 | 1 | | Nut, Pivot Locking |
| 7 | 751-11123 | 1 | | Valve Adjusting Nut |
| 7 | 751-11123 | 2 | | Valve Adjusting Nut Furnish 951-10799, Cylinder Head Assembly |
| 8 | N/A | 2 | | Rocker Arm Furnish 951-10799, Cylinder Head Assembly |
| 9 | 710-04902 | 1 | | Rocker Arm Stud |
| 9 | 710-04902 | 2 | | Rocker Arm Stud Furnish 951-10799, Cylinder Head Assembly |
| 10 | N/A | 1 | | Push Rod Guide Furnish 951-10799, Cylinder Head Assembly |
| 11 | N/A | 1 | | Valve Spring Retainer-Intake Furnish 951-10799, Cylinder Head Assembly |
| 12 | N/A | 1 | | Exhaust Valve Adjustor Furnish 951-10799, Cylinder Head Assembly |
| 13 | N/A | 1 | | Valve Spring Retainer-Exhaust Furnish 951-10799, Cylinder Head Assembly |
| 14 | N/A | 2 | | Valve Spring Furnish 951-10799, Cylinder Head Assembly |
| 15 | N/A | 1 | | Valve Seal Furnish 951-10819, Cylinder Head Service Kit |
| 16 | 710-05100 | 1 | | Cylinder Head Bolt |
| 16 | 710-05100 | 4 | | Cylinder Head Bolt Furnish 951-10819, Cylinder Head Service Kit |
| 17 | N/A | 1 | | Cylinder Head Furnish 951-10799, Cylinder Head Assembly |
| 18 | 951-10292 | 1 | /P | Spark Plug |
| 19 | 710-04911 | 1 | | Muffler Stud |

21C-65M1066 Super Bronco CRT Roto-Tiller (2010)
Engine Assembly 170-T0A

Page 5 of 20

| Ref # | Part Number | Qty | S/P/F | Description |
|-------|-------------|-----|-------|---|
| 19 | 710-04911 | 2 | | Muffler Stud Furnish 951-10657, Muffler Stud Assembly |
| 20 | N/A | 1 | | Exhaust Pipe Gasket Furnish 951-10798A, Short Block |
| 20 | N/A | 1 | | Exhaust Pipe Gasket Furnish 951-10799, Cylinder Head Assembly |
| 20 | N/A | 1 | | Exhaust Pipe Gasket Furnish 951-10801A, Gasket Kit External |
| 20 | N/A | 1 | | Exhaust Pipe Gasket Furnish 951-10802A, Gasket Kit Complete |
| 21 | 712-04214 | 1 | | Nut |
| 22 | 951-10793 | 1 | /P | Muffler Assembly |
| 23 | 710-05002 | 1 | | Bolt |
| 24 | 710-05101 | 1 | | Carburetor Stud |
| 25 | 751-11567 | 1 | S | Carburetor Insulator Gasket |
| 25 | 751-11567 | 1 | S | Carburetor Insulator Gasket Furnish 951-10798A, Short Block |
| 25 | 751-11567 | 1 | S | Carburetor Insulator Gasket Furnish 951-10799, Cylinder Head Assembly |
| 25 | 751-11567 | 1 | S | Carburetor Insulator Gasket Furnish 951-10801A, Gasket Kit External |
| 25 | 751-11567 | 1 | S | Carburetor Insulator Gasket Furnish 951-10802A, Gasket Kit Complete |
| 26 | 951-11568 | 1 | /P | Carburetor Insulator |
| 26 | 951-11568 | 1 | /P | Carburetor Insulator Furnish 951-10798A, Short Block |
| 26 | 951-11568 | 1 | /P | Carburetor Insulator Furnish 951-10799, Cylinder Head Assembly |
| 26 | 951-11568 | 1 | /P | Carburetor Insulator Furnish 951-10802A, Gasket Kit Complete |
| 27 | 951-11569 | 1 | /P | Carburetor Gasket |
| 27 | 951-11569 | 1 | /P | Carburetor Gasket Furnish 951-10801A, Gasket Kit External |
| 27 | 951-11569 | 1 | /P | Carburetor Gasket Furnish 951-10802A, Gasket Kit Complete |
| 28 | 951-10797 | 1 | /P | Carburetor Assembly (Incl. Ref No. a-x) |
| 29 | 951-11571 | 1 | /P | Carburetor Gasket Plate |
| 29 | 951-11571 | 1 | /P | Carburetor Gasket Plate Furnish 951-10798A, Short Block |
| 29 | 951-11571 | 1 | /P | Carburetor Gasket Plate Furnish 951-10802A, Gasket Kit Complete |
| 30 | 951-10806 | 1 | /P | Air Cleaner Housing |
| 31 | 712-04213 | 1 | /P | Nut |
| 32 | 951-11067 | 1 | /P | Throttle Control Knob |
| 33 | 710-05102 | 1 | | Self-Tapping Bolt |

| Ref # | Part Number | Qty | S/P/F | Description |
|-------|-------------|-----|-------|---|
| 35 | N/A | 1 | | Lower Housing Furnish 951-10818, Air Cleaner Housing Assembly |
| 36 | N/A | 1 | | Air Cleaner Foam Wrap Furnish 951-10794, Air Cleaner |
| 37 | N/A | 1 | | Air Cleaner Element Furnish 951-10794, Air Cleaner |
| 38 | N/A | 1 | | Upper Housing Furnish 951-10818, Air Cleaner Housing Assembly |
| 39 | 951-11572 | 1 | /P | Cylinder Head Gasket |
| 39 | 951-11572 | 1 | /P | Cylinder Head Gasket Furnish 951-10798A, Short Block |
| 39 | 951-11572 | 1 | /P | Cylinder Head Gasket Furnish 951-10799, Cylinder Head Assembly |
| 39 | 951-11572 | 1 | /P | Cylinder Head Gasket Furnish 951-10819, Cylinder Head Service Kit |
| 39 | 951-11572 | 1 | /P | Cylinder Head Gasket Furnish 951-10802A, Gasket Kit Complete |
| 40 | 951-10648 | 1 | /P | Push Rod Kit |
| 41 | N/A | 2 | | Valve Lifter Furnish 951-10798A, Short Block |
| 42 | 715-04090 | 1 | | Dowel Pin |
| 42 | 715-04090 | 2 | | Dowel Pin Furnish 951-10799, Cylinder Head Assembly |
| 43 | N/A | 1 | | Exhaust Valve Furnish 951-10799, Cylinder Head Assembly |
| 43 | N/A | 1 | | Exhaust Valve Furnish 951-10647, Valve Kit |
| 44 | N/A | 1 | | Intake Valve Furnish 951-10799, Cylinder Head Assembly |
| 44 | N/A | 1 | | Intake Valve Furnish 951-10647, Valve Kit |
| 45 | 951-11253 | 1 | /P | Piston Ring Set |
| 45 | 951-11253 | 1 | /P | Piston Ring Set Furnish 951-10798A, Short Block |
| 46 | N/A | 2 | | Piston Pin Clip Furnish 951-10798A, Short Block |
| 47 | N/A | 1 | | Piston Furnish 951-10798A, Short Block |
| 48 | N/A | 1 | | Piston Pin Furnish 951-10798A, Short Block |
| 49 | 710-04915 | 1 | | Bolt |
| 50 | 951-11113 | 1 | /P | Air Shield |
| 51 | 951-11573 | 1 | /P | Connecting Rod Assembly |
| 51 | 951-11573 | 1 | /P | Connecting Rod Assembly Furnish 951-10798A, Short Block |
| 52 | 951-11356 | 1 | /P | Governor Arm Shaft |
| 52 | 951-11356 | 1 | /P | Governor Arm Shaft Furnish 951-10798A, Short Block |
| 52 | 951-11356 | 1 | /P | Governor Arm Shaft Furnish 951-11588, Crankcase Kit |

| Ref # | Part Number | Qty | S/P/F | Description |
|-------|-------------|-----|-------|---|
| 53 | 736-04461 | 1 | | Governor Shaft O-Ring |
| 53 | 736-04461 | 1 | | Governor Shaft O-Ring Furnish 951-10798A, Short Block |
| 53 | 736-04461 | 1 | | Governor Shaft O-Ring Furnish 951-11588, Crankcase Kit |
| 53 | 736-04461 | 1 | | Governor Shaft O-Ring Furnish 951-10802A, Gasket Kit Complete |
| 54 | 951-11574 | 1 | /P | Governor Seal |
| 54 | 951-11574 | 1 | /P | Governor Seal Furnish 951-10798A, Short Block |
| 54 | 951-11574 | 1 | /P | Governor Seal Furnish 951-11588, Crankcase Kit |
| 55 | 714-04078 | 1 | | Cotter Pin |
| 55 | 714-04078 | 1 | | Cotter Pin Furnish 951-10798A, Short Block |
| 55 | 714-04078 | 1 | | Cotter Pin Furnish 951-11588, Crankcase Kit |
| 56 | 951-11575 | 1 | /P | Camshaft Assembly |
| 56 | 951-11575 | 1 | /P | Camshaft Assembly Furnish 951-10798A, Short Block |
| 57 | 951-11369 | 1 | /P | Radial Ball Bearing |
| 57 | 951-11369 | 2 | /P | Radial Ball Bearing Furnish 951-10798A, Short Block |
| 57 | 951-11369 | 2 | /P | Radial Ball Bearing Furnish 951-11587 Crankshaft Kit |
| 57 | 951-11369 | 1 | /P | Radial Ball Bearing Furnish 951-11586, Crankcase Cover Kit |
| 57 | 951-11369 | 1 | /P | Radial Ball Bearing Furnish 951-11588, Crankcase Kit |
| 58 | N/A | 1 | | Crankshaft Assembly Furnish 951-10798A, Short Block |
| 58 | N/A | 1 | | Crankshaft Assembly Furnish 951-11587 Crankshaft Kit |
| 59 | 951-10307 | 1 | /P | Flywheel Key |
| 59 | 951-10307 | 1 | /P | Flywheel Key Furnish 951-11587 Crankshaft Kit |
| 60 | 951-11576 | 1 | /P | Governor Assembly |
| 60 | 951-11576 | 1 | /P | Governor Assembly Furnish 951-10798A, Short Block |
| 61 | 715-04092 | 1 | | Dowel Pin, 7 x 14 |
| 61 | 715-04092 | 1 | | Dowel Pin, 7 x 14 Furnish 951-10798A, Short Block |
| 62 | 715-04089 | 1 | | Dowel Pin, 9 x 14 |
| 62 | 715-04089 | 1 | | Dowel Pin, 9 x 14 Furnish 951-10798A, Short Block |
| 63 | 951-11371 | 1 | /P | Crankcase Cover Gasket |

| Ref # | Part Number | Qty | S/P/F | Description |
|-------|-------------|-----|-------|--|
| 63 | 951-11371 | 1 | /P | Crankcase Cover Gasket Furnish 951-10798A, Short Block |
| 63 | 951-11371 | 1 | /P | Crankcase Cover Gasket Furnish 951-11587 Crankshaft Kit |
| 63 | 951-11371 | 1 | /P | Crankcase Cover Gasket Furnish 951-11586, Crankcase Cover Kit |
| 63 | 951-11371 | 1 | /P | Crankcase Cover Gasket Furnish 951-10802A, Gasket Kit Complete |
| 64 | N/A | 1 | | Crankcase Cover Furnish 951-10798A, Short Block |
| 64 | N/A | 1 | | Crankcase Cover Furnish 951-11586, Crankcase Cover Kit |
| 65 | 710-04932 | 1 | | Bolt |
| 65 | 710-04932 | 7 | | Bolt Furnish 951-10798A, Short Block |
| 65 | 710-04932 | 7 | | Bolt Furnish 951-11586, Crankcase Cover Kit |
| 66 | 951-11577 | 1 | /P | O-Ring |
| 66 | 951-11577 | 1 | /P | O-Ring Furnish 951-10798A, Short Block |
| 66 | 951-11577 | 1 | /P | O-Ring Furnish 951-10801A, Gasket Kit External |
| 66 | 951-11577 | 1 | /P | O-Ring Furnish 951-10669, Oil Fill Plug Assembly |
| 66 | 951-11577 | 1 | /P | O-Ring Furnish 951-10802A, Gasket Kit Complete |
| 67 | N/A | 1 | | Oil Filler Plug Furnish 951-10798A, Short Block |
| 67 | N/A | 1 | | Oil Filler Plug Furnish 951-10669, Oil Fill Plug Assembly |
| 68 | 951-11578 | 1 | /P | Oil Seal |
| 68 | 951-11578 | 2 | /P | Oil Seal Furnish 951-10798A, Short Block |
| 68 | 951-11578 | 2 | /P | Oil Seal Furnish 951-11587 Crankshaft Kit |
| 68 | 951-11578 | 1 | /P | Oil Seal Furnish 951-11586, Crankcase Cover Kit |
| 68 | 951-11578 | 1 | /P | Oil Seal Furnish 951-11588, Crankcase Kit |
| 68 | 951-11578 | 2 | /P | Oil Seal Furnish 951-10802A, Gasket Kit Complete |
| 69 | N/A | 1 | | Crankcase Complete Furnish 951-10798A, Short Block |
| 69 | N/A | 1 | | Crankcase Complete Furnish 951-11588, Crankcase Kit |
| 70 | 736-04440 | 1 | /P | Oil Drain Plug Washer |
| 70 | 736-04440 | 2 | /P | Oil Drain Plug Washer Furnish 951-10798A, Short Block |
| 70 | 736-04440 | 1 | /P | Oil Drain Plug Washer Furnish 951-10801A, Gasket Kit External |

| Ref # | Part Number | Qty | S/P/F | Description |
|-------|-------------|-----|-------|---|
| 70 | 736-04440 | 1 | /P | Oil Drain Plug Washer Furnish 951-10802A, Gasket Kit Complete |
| 71 | 710-04906 | 1 | | Oil Drain Plug |
| 71 | 710-04906 | 2 | | Oil Drain Plug Furnish 951-10798A, Short Block |
| 73 | 951-10792 | 1 | /P | Ignition Coil |
| 74 | 710-04919 | 1 | /P | Bolt |
| 75 | 951-10805 | 1 | /P | Flywheel |
| 76 | 951-10934 | 1 | /P | Cooling Fan |
| 77 | 951-10911 | 1 | /P | Starter Cup |
| 78 | 712-04209 | 1 | /P | Nut |
| 81 | 951-11583 | 1 | /P | Blower Housing |
| 82 | 736-04455 | 1 | | Washer |
| 83 | 710-04914 | 1 | | Bolt |
| 84 | 951-10790 | 1 | /P | Recoil Starter Assembly |
| 85 | 951-11584 | 1 | /P | Primer Bracket |
| 86 | 710-05103 | 1 | | Bolt |
| 87 | 951-11585 | 1 | /P | Governor Spring |
| 88 | 951-10664 | 1 | /P | Throttle Linkage Spring |
| 89 | 951-10665 | 1 | /P | Throttle Linkage |
| 90 | 951-11106 | 1 | /P | Governor Arm |
| 91 | 712-04212 | 1 | /P | Nut |
| 92 | 710-04908 | 1 | | Governor Arm Bolt |
| 94 | N/A | 1 | | Fuel Hose Furnish 951-10650, Fuel Line Kit |
| 95 | N/A | 2 | | Hose Clamp Furnish 951-10650, Fuel Line Kit |
| 97 | 951-10662 | 1 | /P | Engine/Dipstick Cover |
| 98 | 710-04905 | 1 | | Bolt |
| 100 | 951-11380 | 1 | /P | O-Ring |
| 101 | 951-10656 | 1 | /P | Dipstick Tube |
| 102 | N/A | 1 | | Dipstick Gauge Furnish 951-10655, Dipstick Assembly |
| 103 | N/A | 1 | | Dipstick Cap Furnish 951-10655, Dipstick Assembly |
| 105 | 951-10917 | 1 | /P | Fuel Cap (Incl. Gasket & Retainer) |
| 106 | 951-10652 | 1 | /P | Fuel Filter For Tank |
| 107 | 951-10796 | 1 | /P | Fuel Tank |
| 109 | 710-04918 | 1 | | Bolt |
| 110 | 951-11109 | 1 | /P | Blower Housing Shield |
| a | 951-11177 | 1 | /P | Choke Control Lever |
| a | 951-11177 | 1 | /P | Choke Control Lever Furnish 951-10797, Carburetor Assembly |
| a | 951-11177 | 1 | /P | Choke Control Lever Furnish 951-10800A, Carburetor Kit Major |
| b | N/A | 1 | | Choke Shaft Furnish 951-10797, Carburetor Assembly |
| c | N/A | 1 | | Choke Plate Furnish 951-10797, Carburetor Assembly |

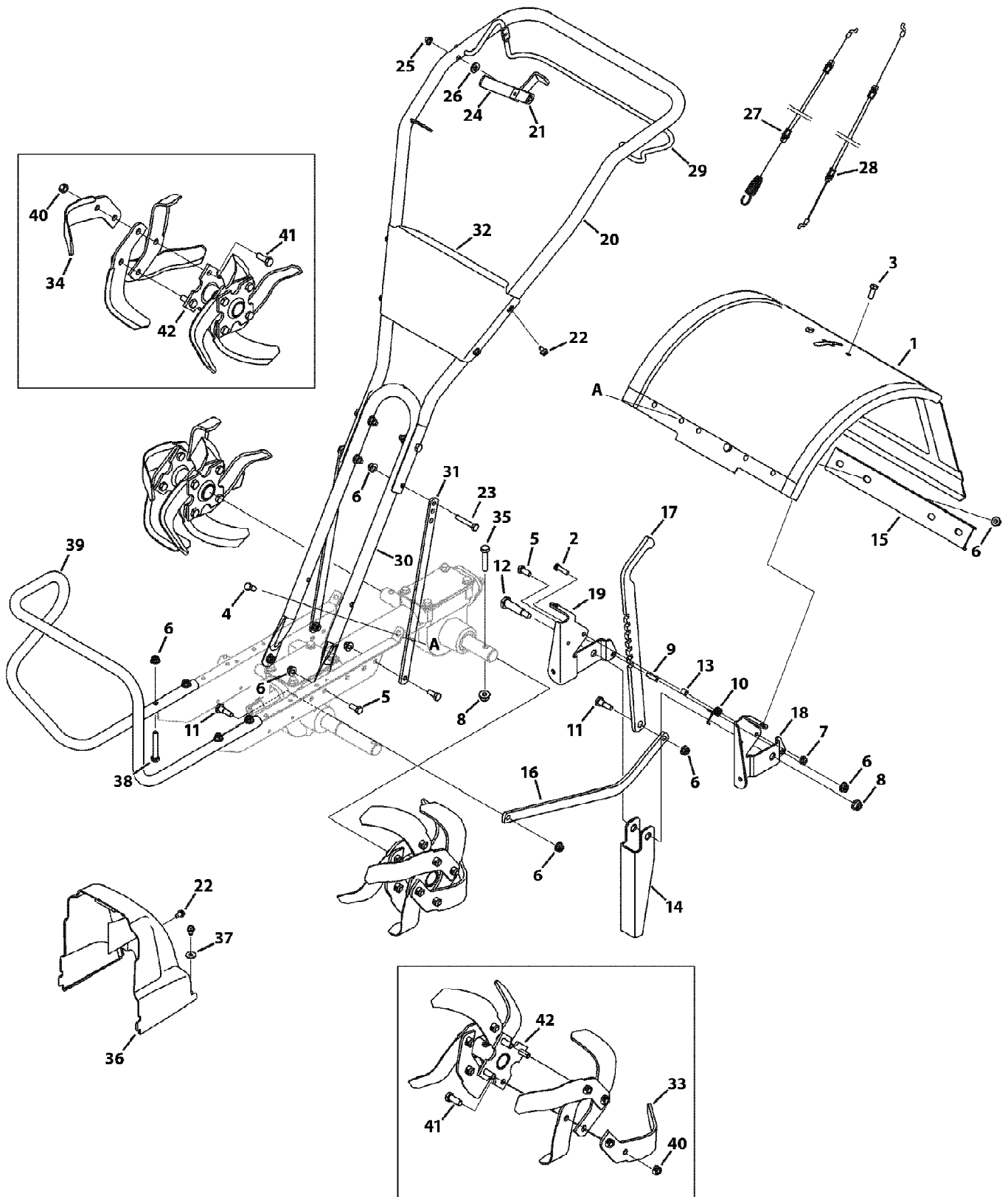
| Ref # | Part Number | Qty | S/P/F | Description |
|-------|-------------|-----|-------|---|
| d | N/A | 1 | | Throttle Shaft Furnish 951-10797, Carburetor Assembly |
| e | N/A | 1 | | Throttle Plate Furnish 951-10797, Carburetor Assembly |
| f | N/A | 1 | | Screw Furnish 951-10797, Carburetor Assembly |
| g | N/A | 1 | | Lock Washer Furnish 951-10797, Carburetor Assembly |
| h | N/A | 1 | | Idle Jet Assembly Furnish 951-10797, Carburetor Assembly |
| h | N/A | 1 | | Idle Jet Assembly Furnish 951-10800A, Carburetor Kit Major |
| i | N/A | 1 | | Throttle Plate Gasket Furnish 951-10797, Carburetor Assembly |
| i | N/A | 1 | | Throttle Plate Gasket Furnish 951-10800A, Carburetor Kit Major |
| j | N/A | 1 | | Idle Speed Adjusting Screw Furnish 951-10797, Carburetor Assembly |
| j | N/A | 1 | | Idle Speed Adjusting Screw Furnish 951-10800A, Carburetor Kit Major |
| k | N/A | 1 | | Mixture Screw Furnish 951-10797, Carburetor Assembly |
| l | N/A | 1 | | Carburetor Body Furnish 951-10797, Carburetor Assembly |
| m | N/A | 1 | | Float Pin Furnish 951-10797, Carburetor Assembly |
| m | N/A | 1 | | Float Pin Furnish 951-10800A, Carburetor Kit Major |
| n | N/A | 1 | | Main Nozzle Furnish 951-10797, Carburetor Assembly |
| n | N/A | 1 | | Main Nozzle Furnish 951-10800A, Carburetor Kit Major |
| o | N/A | 1 | | Needle Valve (Float) Furnish 951-10797, Carburetor Assembly |
| o | N/A | 1 | | Needle Valve (Float) Furnish 951-10800A, Carburetor Kit Major |
| p | N/A | 1 | | Main Jet Furnish 951-10797, Carburetor Assembly |
| p | N/A | 1 | | Main Jet Furnish 951-10800A, Carburetor Kit Major |
| q | N/A | 1 | | Needle Valve Spring Furnish 951-10797, Carburetor Assembly |

| Ref # | Part Number | Qty | S/P/F | Description |
|-------|-------------|-----|-------|--|
| q | N/A | 1 | | Needle Valve Spring Furnish 951-10800A, Carburetor Kit Major |
| r | N/A | 1 | | Float Furnish 951-10797, Carburetor Assembly |
| r | N/A | 1 | | Float Furnish 951-10800A, Carburetor Kit Major |
| s | 951-11589 | 1 | /P | Fuel Bowl Gasket |
| s | 951-11589 | 1 | /P | Fuel Bowl Gasket Furnish 951-10797, Carburetor Assembly |
| s | 951-11589 | 1 | /P | Fuel Bowl Gasket Furnish 951-10800A, Carburetor Kit Major |
| t | N/A | 1 | | Fuel Bowl Furnish 951-10797, Carburetor Assembly |
| u | 710-04904 | 1 | | Fuel Bowl Bolt Gasket |
| u | 710-04904 | 1 | | Fuel Bowl Bolt Gasket Furnish 951-10797, Carburetor Assembly |
| u | 710-04904 | 1 | | Fuel Bowl Bolt Gasket Furnish 951-10800A, Carburetor Kit Major |
| v | 710-04945 | 1 | | Fuel Bowl Mounting Bolt |
| v | 710-04945 | 1 | | Fuel Bowl Mounting Bolt Furnish 951-10797, Carburetor Assembly |
| w | 951-11349 | 1 | /P | Fuel Drain Plug Gasket |
| w | 951-11349 | 1 | /P | Fuel Drain Plug Gasket Furnish 951-10797, Carburetor Assembly |
| w | 951-11349 | 1 | /P | Fuel Drain Plug Gasket Furnish 951-10800A, Carburetor Kit Major |
| x | 710-04903 | 1 | S | Fuel Drain Bolt |
| x | 710-04903 | 1 | S | Fuel Drain Bolt Furnish 951-10797, Carburetor Assembly |
| | 951-10829 | 1 | /P | Spark Arrestor Not Shown |
| | 951-10651 | 1 | /P | Fuel Tank Nipple Not Shown |
| | 951-10798A | 1 | /P | Short Block Not Shown (Incl. Ref No. 5, 20, 25, 26, 29, 39, 41, 45-48, 51-58, 60-71) |
| | 951-11587 | 1 | /P | Crankshaft Kit Not Shown (Incl. Ref No. 57-59, 63, 68) |
| | 951-11063A | 1 | /P | Valve Cover Gasket Kit Not Shown (Incl. Ref No. 2, 5) |
| | 951-10799 | 1 | /P | Cylinder Head Assembly Not Shown (Incl. Ref No. 5, 7-14, 17,20, 25, 26, 39, 42-44) |
| | 951-11586 | 1 | /P | Crankcase Cover Kit Not Shown (Incl. Ref No. 57, 63-65, 68) |
| | 951-11588 | 1 | /P | Crankcase Kit Not Shown (Incl. Ref No. 52-55, 57, 68, 69) |

21C-65M1066 Super Bronco CRT Roto-Tiller (2010)
Engine Assembly 170-T0A

Page 12 of 20

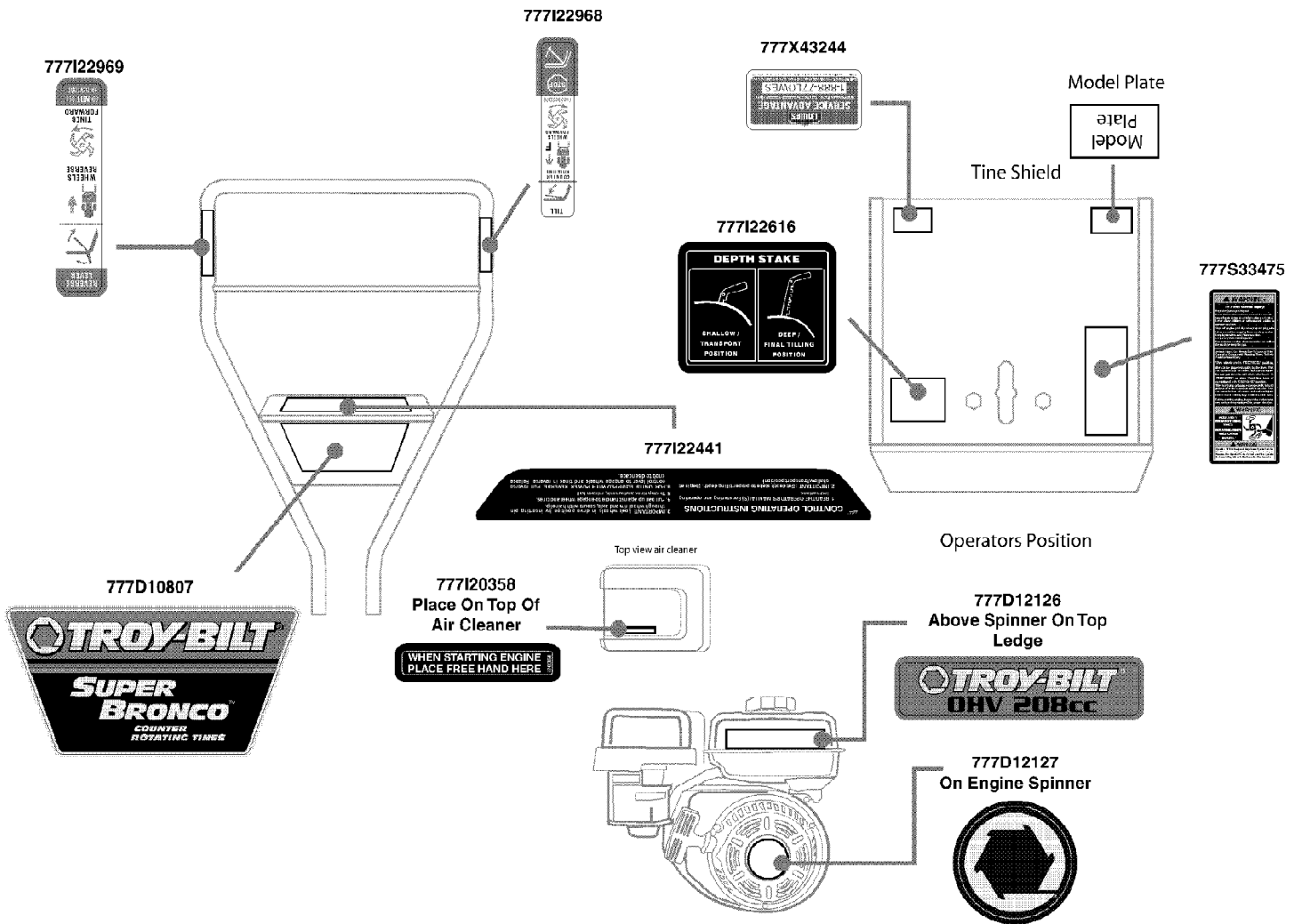
| Ref # | Part Number | Qty | S/P/F | Description |
|-------|-------------|-----|-------|--|
| | 951-10801A | 1 | /P | Gasket Kit - External Not Shown (Incl. Ref No. 20, 25, 27, 66, 70) |
| | 951-10818 | 1 | /P | Air Cleaner Housing Assembly Not Shown (Incl. Ref No. 35, 38) |
| | 951-10800A | 1 | /P | Carburetor Repair Kit - Major Not Shown (Incl. Ref No. a, h-j, m-s, u, w) |
| | 951-10647 | 1 | /P | Valve Kit Not Shown (Incl. Ref No. 43, 44) |
| | 951-10655 | 1 | /P | Dipstick Assembly Not Shown (Incl. Ref No. 102, 103) |
| | 951-10669 | 1 | /P | Oil Fill Plug Assembly Not Shown (Incl. Ref No. 66, 67) |
| | 951-10650 | 1 | /P | Fuel Line Kit Not Shown (Incl. Ref No. 94, 95) |
| | 951-10657 | 1 | /P | Muffler Stud Assembly Not Shown (Incl. Ref No. 19) |
| | 951-10819 | 1 | /P | Cylinder Head Service Kit Not Shown (Incl. Ref No. 5, 15, 16, 39) |
| | 951-10794 | 1 | /P | Air Cleaner Not Shown (Incl. Ref No. 36, 37) |
| | 951-10802A | 1 | /P | Gasket Kit - Complete Not Shown (Incl. Ref No. 5, 20, 25-27, 29, 39, 53, 63, 66, 68, 70) |
| | 951-10826 | 1 | /P | Recoil Spring & Pulley Assembly Not Shown (Incl. Pulley & Spring) |
| | | 1 | | Starter Pulley Not Shown, Furnish 951-10826, Recoil Spring & Pulley Assembly |
| | | 1 | | Recoil Spring Not Shown, Furnish 951-10826, Recoil Spring & Pulley Assembly |
| | | 1 | | Gasket & Retainer, Fuel Cap Not Shown, Furnish 951-10917, Fuel Cap |
| | 952Z170-T0A | 1 | /P | Complete Engine Not Shown |



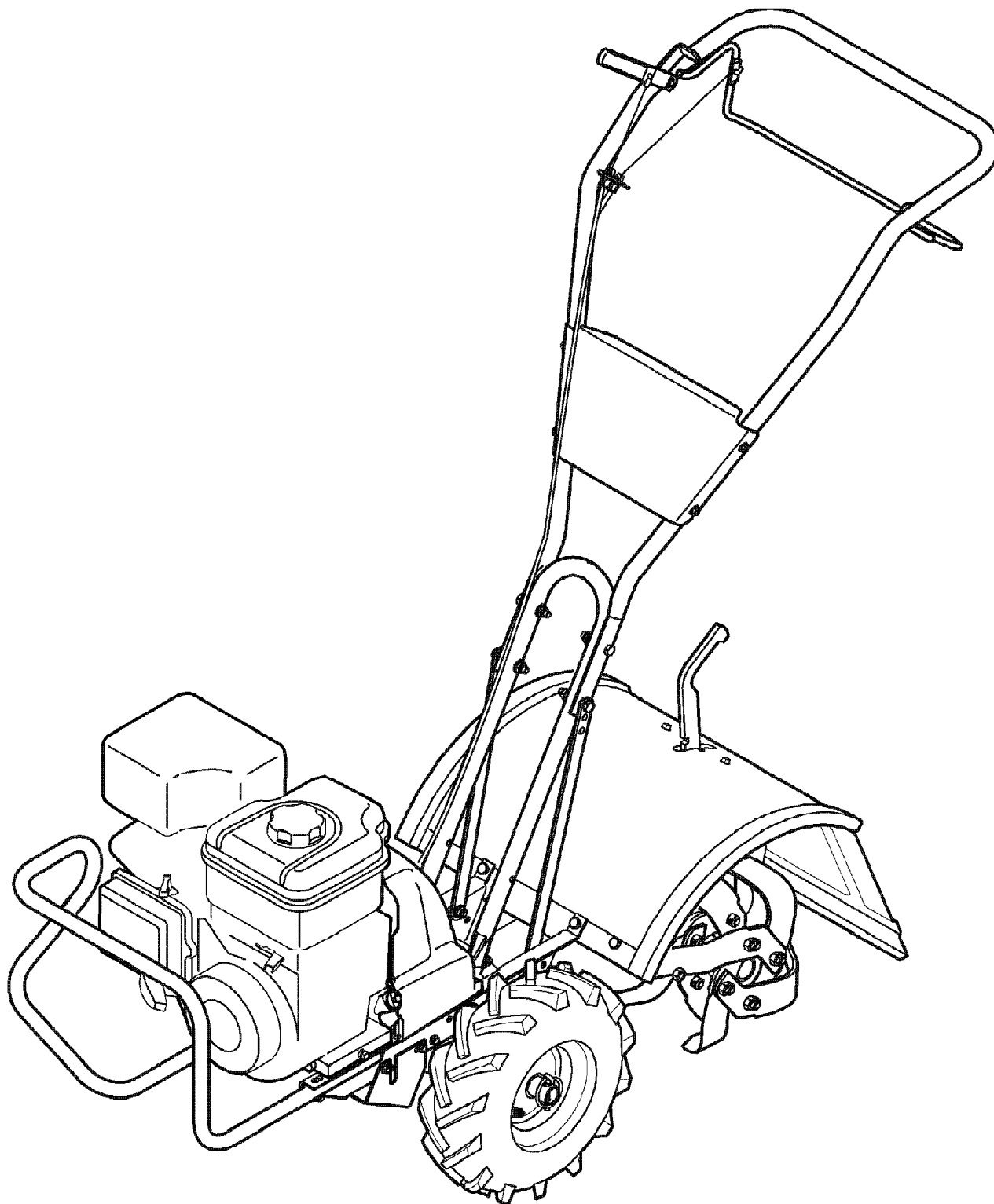
21C-65M1066 Super Bronco CRT Roto-Tiller (2010)
Handle, Tine & Shield

Page 14 of 20

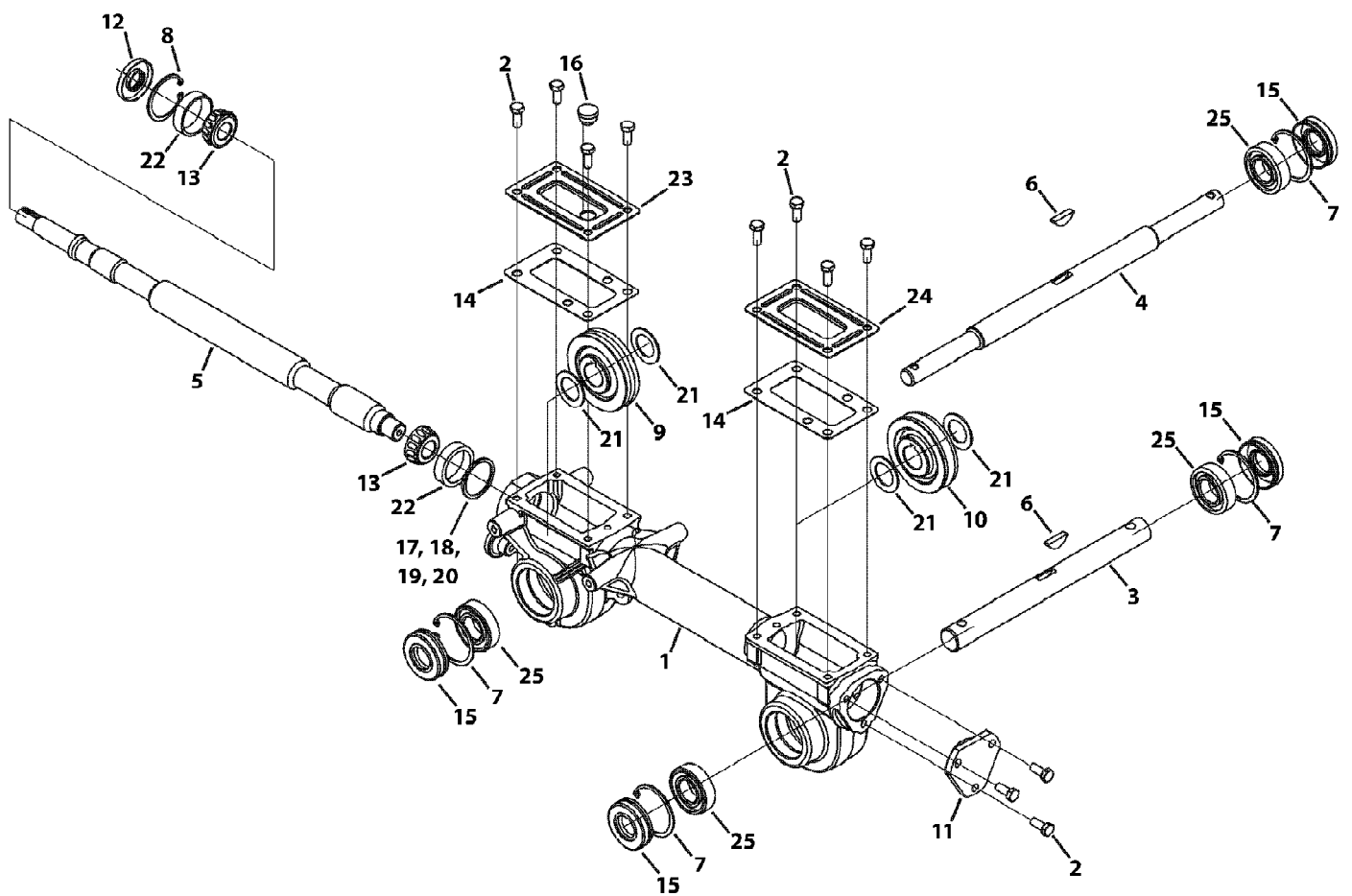
| Ref # | Part Number | Qty | S/P/F | Description |
|-------|----------------|-----|-------|--|
| 1 | 686-04077-0638 | 1 | /P | Tine Shield Assembly 21C-65M Models |
| 1 | 686-04076-0638 | 1 | /P | Tine Shield Assembly 21C-64M Models |
| 2 | 710-0597 | 1 | /P | Hex Head Screw, 1/4-20 x 1.00 |
| 3 | 710-0604A | 1 | /P | Screw, 5/16-18 x 0.625 |
| 4 | 710-1238 | 1 | /P | Hex Head Washer, 5/16-18 x .875 |
| 5 | 710-3008 | 1 | /P | Hex Head Screw, 5/16-18 x .75 |
| 6 | 712-04063 | 1 | /P | Flangelock Nut, 5/16-18 |
| 7 | 712-04064 | 1 | /P | Flangelock Nut, 1/4-20 |
| 8 | 712-04065 | 1 | /P | Flangelock Nut, 3/8-16 |
| 9 | 715-0108 | 1 | /P | Spring Pin, 1/4 DIA x 1.00 LG |
| 10 | 732-04320 | 1 | /P | Torsion Spring |
| 11 | 738-04320 | 1 | | Screw, Shoulder, 5/16-18 x .405 x .435 |
| 12 | 938-0533 | 1 | /P | Screw, Shoulder, \$r .498 x 1.635 |
| 13 | 750-05349 | 1 | | Spacer, Split, .350 x .268 x .375 |
| 14 | 786-04092-0638 | 1 | | Stop Reverse Arm |
| 15 | 786-04098-0638 | 1 | | Support Channel Bracket |
| 16 | 786-04104-0638 | 1 | /P | Depth Drag Bar |
| 17 | 786-04292-0638 | 1 | /P | Depth Adjuster Bar |
| 18 | 786-04363-0638 | 1 | | LH Tail Bracket |
| 19 | 786-04364-0638 | 1 | | RH Tail Bracket |
| 20 | 649-04066-0638 | 1 | /P | Upper Handle Assembly |
| 21 | 686-04098-0638 | 1 | | Reverse Handle Assembly 21C-65M Models |
| 22 | 710-0599 | 1 | /P | Screw, 1/4-20 x 0.500 |
| 23 | 710-0805 | 1 | /P | Hex Head Screw, 5/16-18 x 1.50 |
| 24 | 720-0270A | 1 | | Reverse Handle Grip 21C-65M Models |
| 25 | 726-0135 | 1 | /P | Speed Nut, Cap, .3125 DIA. 21C-65M Models |
| 26 | 936-3008 | 1 | /P | Flat Washer, .344 x .750 x .120 21C-65M Models |
| 27 | 746-04413 | 1 | | Forward Cable |
| 28 | 746-04414 | 1 | S | Reverse Cable 21C-65M Models |
| 29 | 747-04789-0637 | 1 | /P | Clutch Bail |
| 30 | 749-04208-0638 | 1 | /P | Lower Handle |
| 31 | 786-04188-0638 | 1 | /P | Support Handle Bracket |
| 32 | 786-04200-0638 | 1 | /P | Handle Panel |
| 33 | 742-04226-0637 | 1 | /P | LH Bolo Tine |
| 34 | 742-04227-0637 | 1 | /P | RH Bolo Tine |
| 35 | 710-0347 | 1 | /P | Hex Head Screw, 3/8-16 x 1.75 |
| 36 | 731-06170 | 1 | | Belt Cover |
| 37 | 736-0173 | 1 | /P | Washer, Flat, .28 x .74 x .063 |
| 38 | 710-0395 | 1 | /P | Hex Head Screw, 5/16-18 x 2.25 21C-65M Models |
| 39 | 749-04193-0637 | 1 | /P | Bumper 21C-65M Models |
| 40 | 912-3000 | 1 | /P | Nut, Hexlock, 3/8-16 |
| 41 | 710-0514 | 1 | /P | Hex Head Screw, 3/8-16 x 1.00 |
| 42 | 686-04065-0637 | 1 | /P | Tine Holder Assembly 21C-65M Models |
| 42 | 686-04066-0638 | 1 | /P | Tine Holder Assembly |



| Ref # | Part Number | Qty | S/P/F | Description |
|-----------|-------------|-----|-------|----------------------------------|
| 777I22969 | 777I22969 | 1 | | LABEL-TILLER 650 HANDLE/RGHT REV |
| 777D10807 | 777D10807 | 1 | | LABEL-TILLER HANDLE TROY CRT |
| 777I22441 | 777I22441 | 1 | | LABEL-HNDL PNL INS |
| 777D12127 | 777D12127 | 1 | | LABEL-TILLER MTD ENGINE |
| 777D12126 | 777D12126 | 1 | | LABEL-TILLER MTD ENGINE TROY |
| 777I20358 | 777I20358 | 1 | | LABEL-PLACE HAND HERE |
| 777S33475 | 777S33475 | 1 | | LABEL-TLR:TN/SHLD:WRNG |
| 777I22616 | 777I22616 | 1 | | LABEL-TILLER TINE SHIELD DEPTH |
| 777X43244 | 777X43244 | 1 | | LABEL-LOWE'S SERVICE ADVANTAGE |
| 777I22968 | 777I22968 | 1 | | LABEL-TILLER 640/650 HANDLE |



| Ref # | Part Number | Qty | S/P/F | Description |
|-------|----------------|-----|-------|--------------------------|
| | 951-10292 | 1 | /P | Spark Plug |
| | 951-10794 | 1 | /P | Pre Filter |
| | 951-10794 | 1 | /P | Air Filter |
| | 951-10652 | 1 | /P | Fuel Filter |
| | 951-10917 | 1 | /P | Fuel Cap |
| | 1916657 | 1 | /P | Drive Belt - FWD |
| | 1916658 | 1 | /P | Drive Belt - REV |
| | 684-04168 | 1 | | Idler Pulley |
| | 746-04413 | 1 | | Clutch Cable - FWD |
| | 746-04414 | 1 | S | Clutch Cable - REV |
| | 742-04226-0637 | 1 | /P | LH Bolo Tine |
| | 742-04227-0637 | 1 | /P | RH Bolo Tine |
| | 934-04232 | 1 | /P | Wheel, 13 x 5 x 6 |
| | 934-04453 | 1 | /P | Wheel Assembly, 11 x 4-4 |
| | N/A | 1 | | Foam Grip |
| | N/A | 1 | | Shift Control Knob |
| | N/A | 1 | | Handle Knob |



21C-65M1066 Super Bronco CRT Roto-Tiller (2010)
Transmission

Page 20 of 20

| Ref # | Part Number | Qty | S/P/F | Description |
|-------|-------------|-----|-------|------------------------------------|
| 1 | 919-04202B | 1 | /P | Transmission Housing |
| 2 | 710-3008 | 1 | /P | Hex Head Screw, 5/16-18 x .75 |
| 3 | 911-04844 | 1 | /P | Tiller Shaft |
| 4 | 911-04854 | 1 | /P | Wheel Shaft |
| 5 | 711-05035 | 1 | | CRT Drive Shaft |
| 6 | 714-04059 | 1 | /P | Key, .25 x 1.062 |
| 7 | 716-0204 | 1 | | Retainer Ring |
| 8 | 716-04102 | 1 | /P | Retainer Ring |
| 9 | 917-04380 | 1 | /P | RH Gear Worm, 61T |
| 10 | 917-04381 | 1 | /P | LH Gear Worm, 30T |
| 11 | 918-04435 | 1 | /P | Bearing Cover |
| 12 | 921-04030 | 1 | /P | Oil Seal, .750 SHF x 1.783 BORE |
| 13 | 941-04298 | 1 | /P | Cone Bearing |
| 14 | 921-04229 | 1 | /P | Gear Housing Gasket |
| 15 | 721-04232 | 1 | | Oil Seal, 1.00 SHF x 2.00 BORE |
| 16 | 721-04271 | 1 | | Rubber Oil Plug |
| 17 | 736-04305 | 1 | /P | Washer, Flat, 1.50 x 1.75 x .062 |
| 18 | 736-04306 | 1 | /P | Washer, Flat, 1.50 x 1.75 x .005 |
| 19 | 736-04307 | 1 | /P | Washer, Flat, 1.50 x 1.75 x .03 |
| 20 | 736-04308 | 1 | /P | Washer, Flat, 1.50 x 1.75 x .010 |
| 21 | 736-0745 | 1 | /P | Washer, Flat, 1.010 x 1.56 x .060 |
| 22 | 941-04299 | 1 | /P | Cup Bearing |
| 23 | 786-04366 | 1 | | Tiller Transmission Cover |
| 24 | 786-04392 | 1 | | Tiller Transmission Cover |
| 25 | 741-3114 | 1 | | Ball Bearing, 1 x 52 x 15 x 6205-1 |