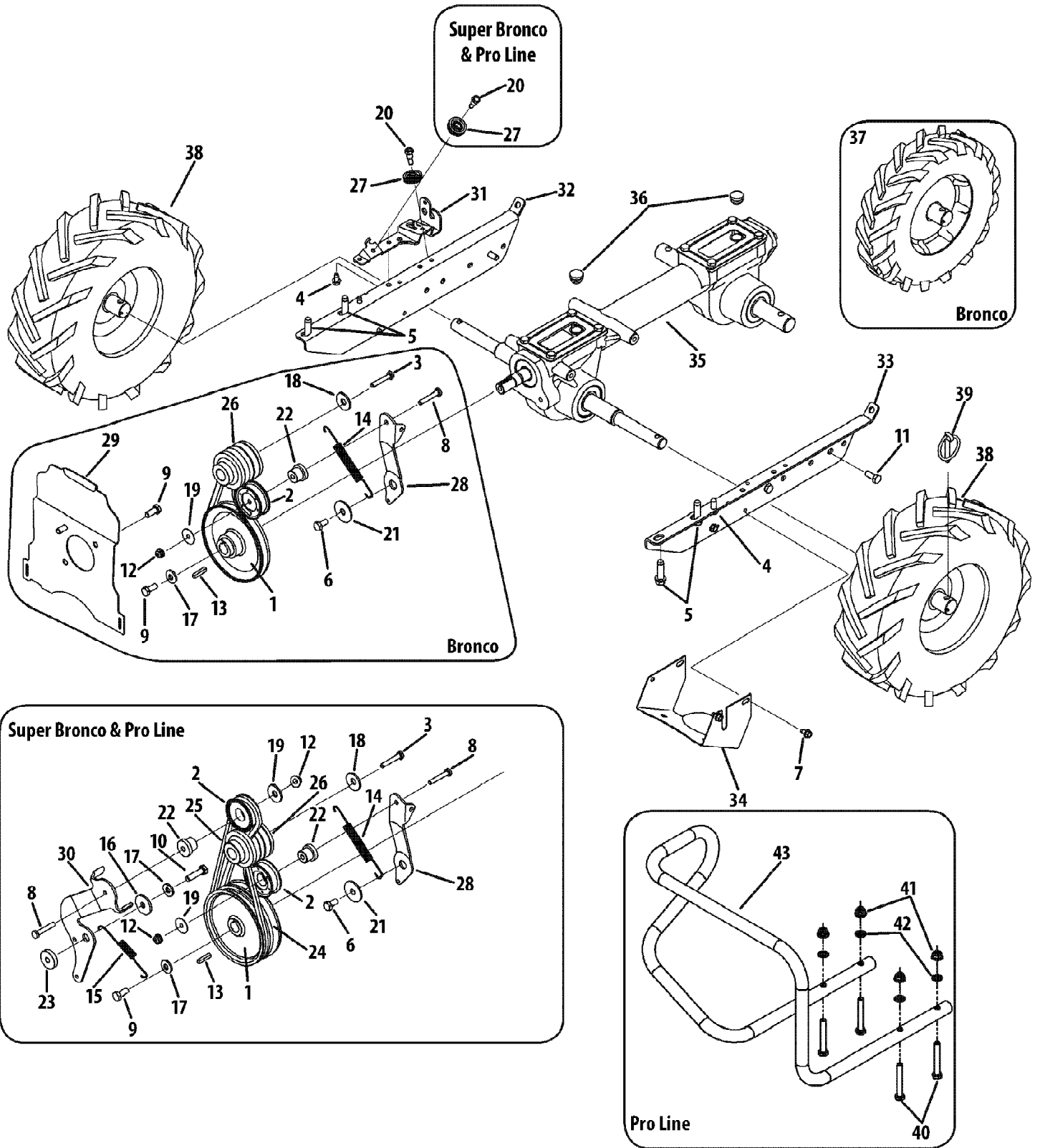


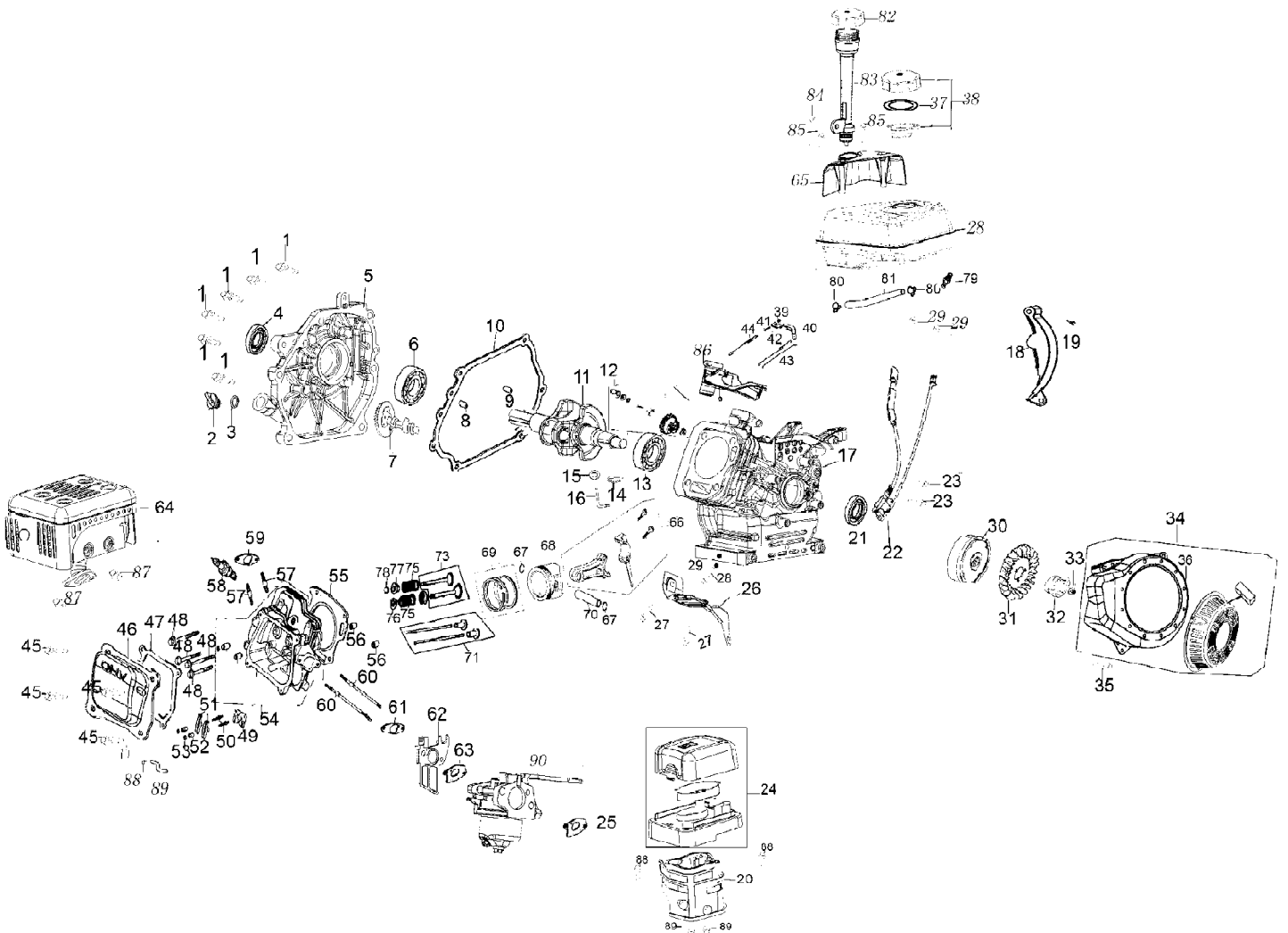
21C-65M1066 Super Bronco CRT Roto-Tiller (2008)
Drive System



21C-65M1066 Super Bronco CRT Roto-Tiller (2008)
Drive System

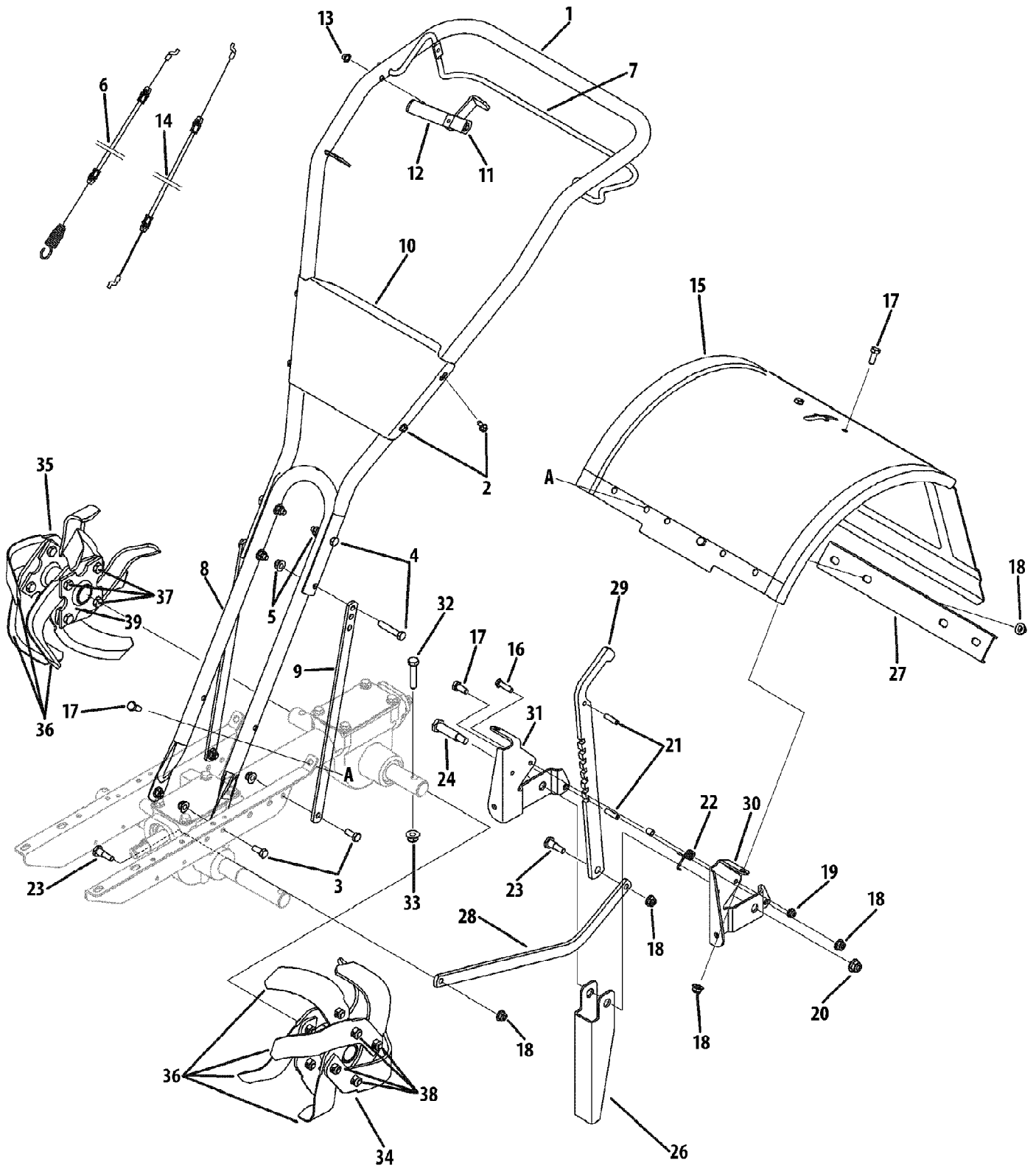
Page 2 of 13

Ref #	Part Number	Qty	S/P/F	Description
1	656-04023A	1		Engine Pulley Bronco
1	656-04005A	1	/P	Engine Pulley Super Bronco
2	684-04168	1		Idler Pulley Assembly
3	710-0151	1	/P	Hex Screw, 3/8-24 x 2
4	710-04484	1		Screw, 5/16-18 x .750
5	710-0502A	1	/P	Screw, 3/8 -16 x 1.250
6	710-0538	1	/P	Hex Screw, 5/16-18 x .625
7	710-0599	1	/P	Screw, 1/4-20 x .500
8	710-0606	1	/P	Hex Screw, 1/4-20 x 1.50
9	710-0627	1	/P	Hex Screw, 5/16-24 x .750
10	710-0672	1	/P	Hex Screw, 5/16-24 x 1.250
11	710-3008	1	/P	Hex Screw, 5/16-18 x .75
12	712-04064	1	/P	Flange Lock Nut, 1/4-20
13	714-0105	1	S	Key, 3/16 x 1.00
14	732-04085	1	/P	Extension Spring, .480 x 5.00
15	732-04276A	1	/P	Extension Spring
16	736-0343	1	/P	Flat Washer, .330 x 1.25 x .120
17	736-04193	1	/P	Belleville Washer, .827 x .331 x .098
18	736-0452	1	S	Belleville Washer, .396 x 1.140 x .095
19	736-3092	1	/P	Flat Washer, .265 x 1.0 x .030
20	738-0924A	1	/P	Shoulder Screw, 1/4-28 x .340 x .335
21	748-04087A	1	/P	Pivot Spacer
22	750-04571	1		Shoulder Spacer, .260 x .785 x .538
23	750-04907	1		Pivot Spacer
24	754-04090	1	S	Forward Drive Belt, 4 x 25.375
25	754-04091	1	S	Reverse Drive Belt, 3 x 29.125
26	756-04334	1		Engine Pulley
27	756-0625	1		Cable Roller
28	786-04312	1		Forward Idler Bracket
29	786-04343	1		Motor Cover Plate
30	786-04346	1		Reverse Idler Bracket
31	786-04357	1		Bracket
32	786-04367	1		Frame, Left
33	786-04368	1		Frame, Right
34	786-04371	1		Pulley Shield
35	753-06042	1	S	Transmission Assembly
35	721-04271	1		Seal
36	721-04235	1		Rubber Oil Plug
37	934-04453	1	/P	Wheel, 10 x 2.75 Bronco
38	934-04232	1	/P	Wheel, 13 x 5 x 6 Super Bronco
38	N/A	1		Rim Assembly
38	734-04163	1	S	Tire, 13.0 x 5.0 x 6.0
38	734-0255	1	S	Air Valve
39	714-0143	1	S	Klik Pin
40	710-0395	1	/P	Hex Screw, 5/16-18 x 2.25
41	712-04063	1	/P	Flange Lock Nut, 5/16-18
42	726-0201	1		Speed Nut, .3125
43	749-04193	1	S	Bumper



Ref #	Part Number	Qty	S/P/F	Description
1		6		Bolt Furnish Short Block 751-10798
2		1		Oil Filler Plug Furnish Short Block 751-10798
3		1		O-Ring Furnish Short Block 751-10798
4		1		Oil Seal Furnish Short Block 751-10798
5		1		Left Crankcase Cover Furnish Short Block 751-10798
6		1		Radial Ball Bearing Furnish Short Block 751-10798
7		1		Camshaft Assembly Furnish Short Block 751-10798
8		1		Dowel Pin Furnish Short Block 751-10798
9		1		Dowel Pin Furnish Short Block 751-10798
10		1		Case Cover Packing Furnish Short Block 751-10798
11		1		Crankshaft Complete Furnish Short Block 751-10798
12		1		Governor Kit Furnish Short Block 751-10798
13		1		Radial Ball Bearing Furnish Short Block 751-10798
14		1		Lock Pin Furnish Short Block 751-10798
15		1		O-Ring Furnish Short Block 751-10798
16		1		Governor Arm Furnish Short Block 751-10798
17		1		Crankcase Complete Furnish Short Block 751-10798
20	951-10806	1	/P	Air Filter Heating Pipe Base
21		1		Oil Seal Furnish Short Block 751-10798
22	951-10792	1	/P	Ignition Complete
24	951-10818	1	/P	Air Filter Housing
24	951-10794	1	/P	Air Filter
25		1		Carburetor Packing Furnish Short Block 751-10798
28	951-10796	1	/P	Fuel Tank
28		1		Bolt Furnish Short Block 751-10798
29		2		Nut Furnish Short Block 751-10798
34	951-10790	1	/P	Recoil Starter Assembly
38	951-10649	1	/P	Fuel Filler Cap Complete
44	951-10654	1	/P	Governor Spring
47		1		Head Cover Gasket Furnish Short Block 751-10798
51		2		Rocker Arm Furnish Cylinder Head 751-10799
52		2		Valve Adjusting Nut Furnish Cylinder Head 751-10799
53		2		Pivot Locking Nut Furnish Cylinder Head 751-10799

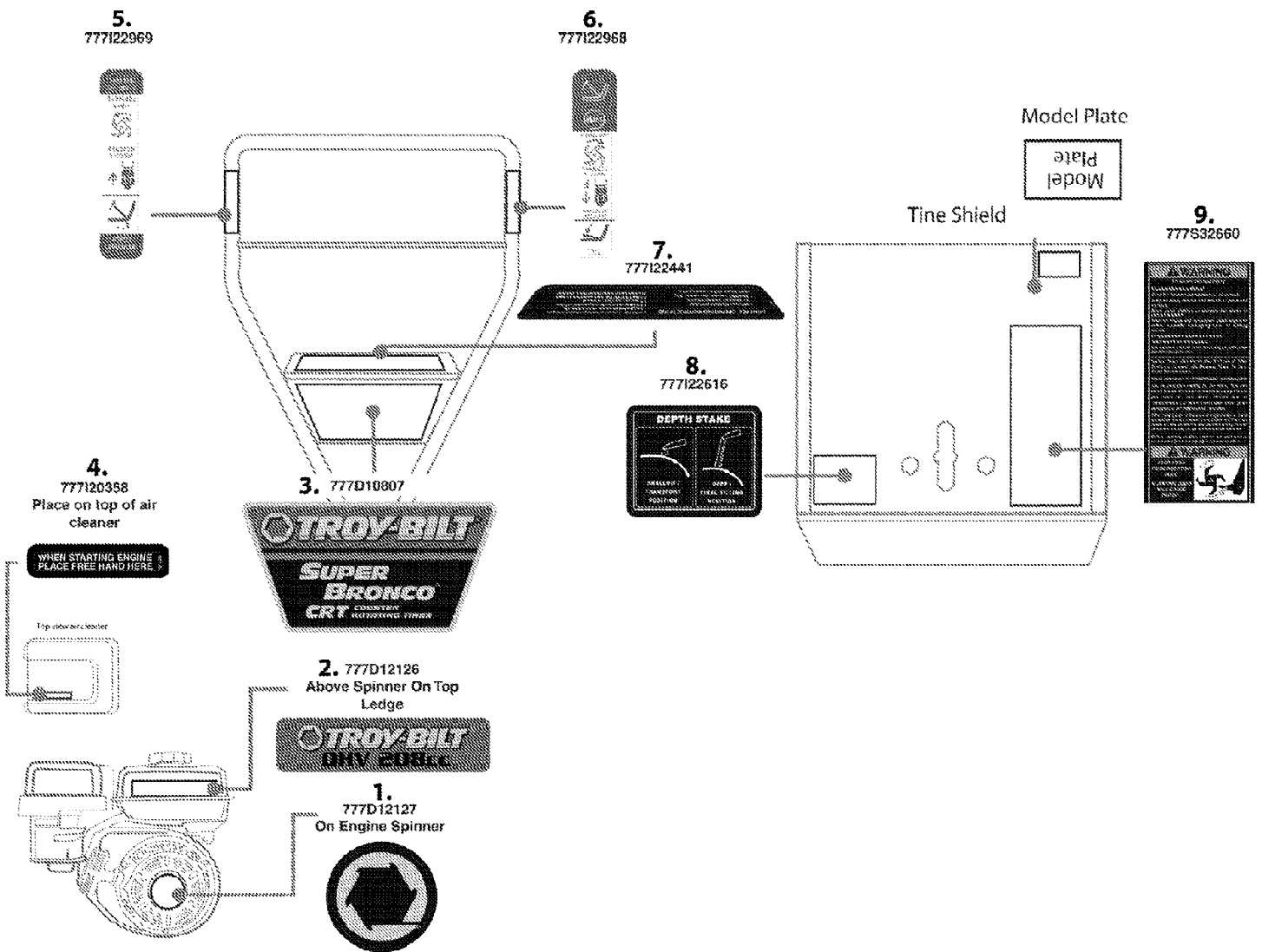
Ref #	Part Number	Qty	S/P/F	Description
54		1		Cylinder Head Complete Furnish Cylinder Head 751-10799
55		1		Cylinder Head Gasket Furnish Short Block 751-10798
56		2		Dowel Pin Furnish Cylinder Head 751-10799
57	751-10786	2		Stud 8 x 34
58	951-10292	1	/P	Spark Plug
59		1		Muffler Gasket Furnish Cylinder Head 751-10799
61		1		Carburetor Insulator Packing Furnish Short Block 751-10798
62		1		Carburetor Insulator Furnish Short Block 751-10798
64	951-10793	1	/P	Muffler
65	951-10662	1	/P	Dipstick Decoration Cover
66		1		Connecting Rod Assembly Furnish Short Block 751-10798
67		2		Piston Pin Clip Furnish Short Block 751-10798
68		1		Piston Furnish Short Block 751-10798
69		1		Piston First Ring Set Furnish Short Block 751-10798
70		1		Piston Pin Furnish Short Block 751-10798
71	751-10789	1		Push Rod Kit
71		2		Valve Lifter Furnish Push Rod Kit 751-10789
71		2		Push Rod Furnish Push Rod Kit 751-10789
73	751-10788	1		Valve Kit
73		1		Inlet Valve Furnish Valve Kit 751-10788
73		1		Exhaust Valve Furnish Valve Kit 751-10788
79	951-10651	1	/P	Fuel Tank Nipple
82	951-10655	1	/P	Dipstick
83	951-10656	1	/P	Engine/Dipstick Cover
85	710-04931	1		Bolt - M6 X 28 Zinc Coating
90	951-10797	1	/P	Carburetor
	951-10799	1	/P	Cylinder Head
	952Z170-T0A	1	/P	Engine - Complete
	951-10798	1	/P	Short Block
	951-10307	1	/P	Flywheel Key (Not Shown)
	951-10800	1	/P	Carb. Kit Major (Not Shown)
	951-10801	1	/P	Gasket Kit - External (Not Shown)
	951-10802	1	/P	Gasket Kit - Complete (Not Shown)



21C-65M1066 Super Bronco CRT Roto-Tiller (2008)
Handle, Tine Shields & Tines

Page 7 of 13

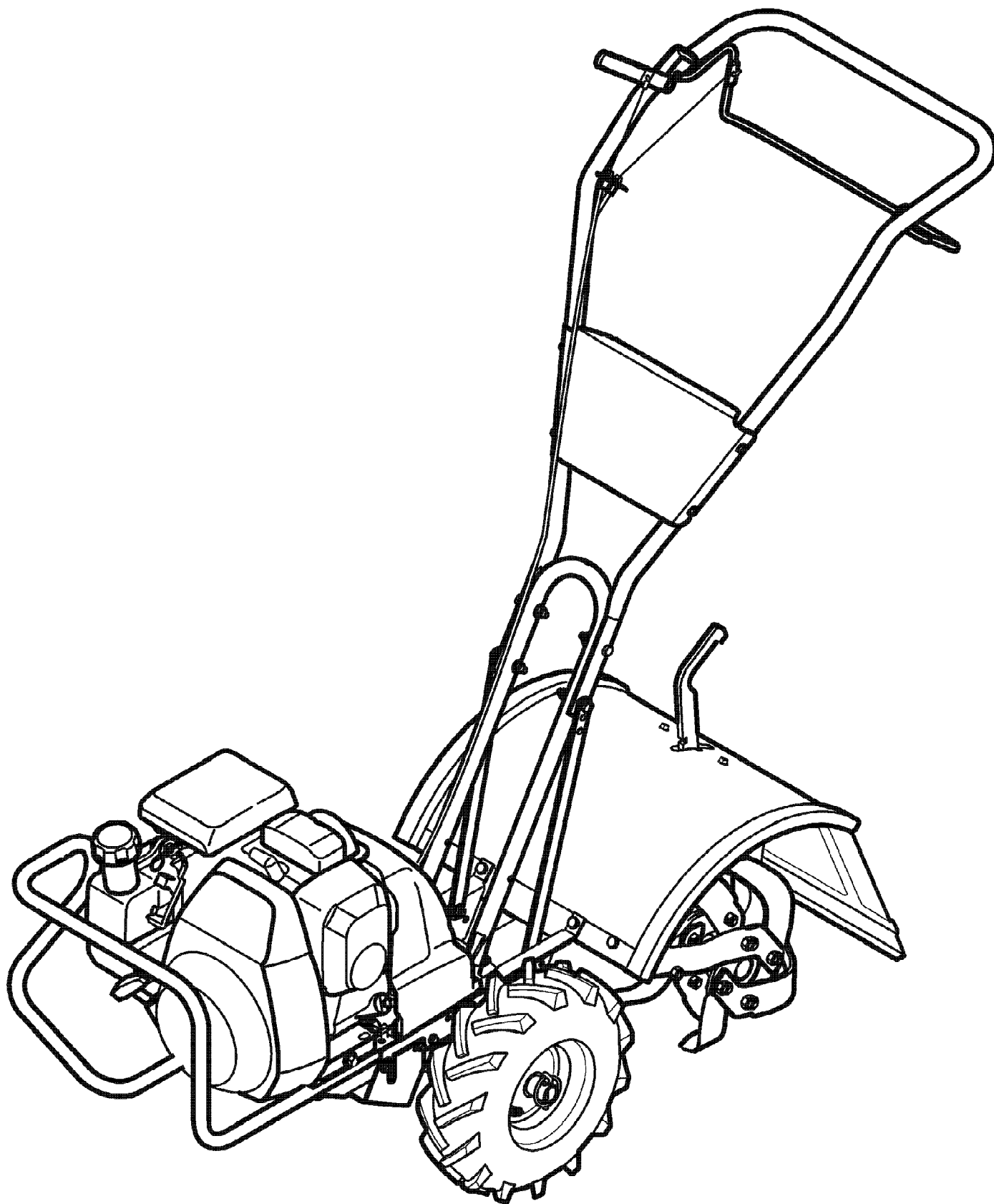
Ref #	Part Number	Qty	S/P/F	Description
1	649-04066	1	S	Upper Handle Assembly
2	710-0599	1	/P	Screw, 1/4-20 x .500
3	710-3008	1	/P	Hex Screw, 5/16-18 x .75
4	710-3180	1	/P	Hex Screw, 5/16-18 x 1.75
5	712-04063	1	/P	Flange Lock Nut, 5/16-18
6	746-04413	1		Forward Cable
7	747-04789	1	S	Clutch Bail
8	749-04208	1	S	Lower Handle Assembly
9	786-04188	1	S	Handle Support Bracket
10	786-04200	1	S	Handle Panel
11	686-04098	1		Reverse Handle Assembly
12	720-0270A	1		Reverse Handle Grip
13	726-0135	1	/P	Speed Nut, .3125
14	746-04414	1	S	Reverse Cable
15	686-04077	1	S	Tine Shield, 17" Super Bronco
15	686-04076	1	S	Tine Shield, 15" Bronco
16	710-0597	1	/P	Hex Screw, 1/4-20 x 1.00
17	710-3008	1	/P	Hex Screw, 5/16-18 x .75
18	712-04063	1	/P	Flange Lock Nut, 5/16-18
19	712-04064	1	/P	Flange Lock Nut, 1/4-20
20	712-04065	1	/P	Flange Lock Nut, 3/8 -16
21	715-0108	1	/P	Spring Pin, 1/4 x 1.00
22	732-04320	1	/P	Torsion Spring
23	738-04320	1		Shoulder Screw, 5/16-18 x .405 x .435
24	738-0533	1	S	Shoulder Screw, .498 x 1.635
25	750-04556	1		Split Spacer, .350 x .268 x .375
26	786-04092	1	/P	Reverse Stop Arm
27	786-04098	1		Support Bracket
28	786-04104	1	/P	Depth Drag Bar
29	786-04292	1		Adjustable Depth Bar
30	786-04363	1		Tail Bracket, Left
31	786-04364	1		Tail Bracket, Right
32	710-0347	1	/P	Hex Screw, 3/8-16 x 1.75
33	712-04065	1	/P	Flange Lock Nut, 3/8 -16
34	N/A	1		Tine Assembly, Left 10 x 14 Bronco
34	N/A	1		Tine Assembly, Left 10 x 16 Super Bronco
35	N/A	1		Tine Assembly, Right 10 x 14 Bronco
35	N/A	1		Tine Assembly, Right 10 x 16 Super Bronco
36	742-04226	1		Tine - RH
36	742-04227	1		Tine - LH
37	710-0514	1	/P	Hex Screw, 3/8 -16 x 1
38	712-3000	1	S	Hex Lock Nut, 3/8 -16
39	686-04065	1	S	Tine Holder Super Bronco
39	686-04066	1		Tine Holder Bronco



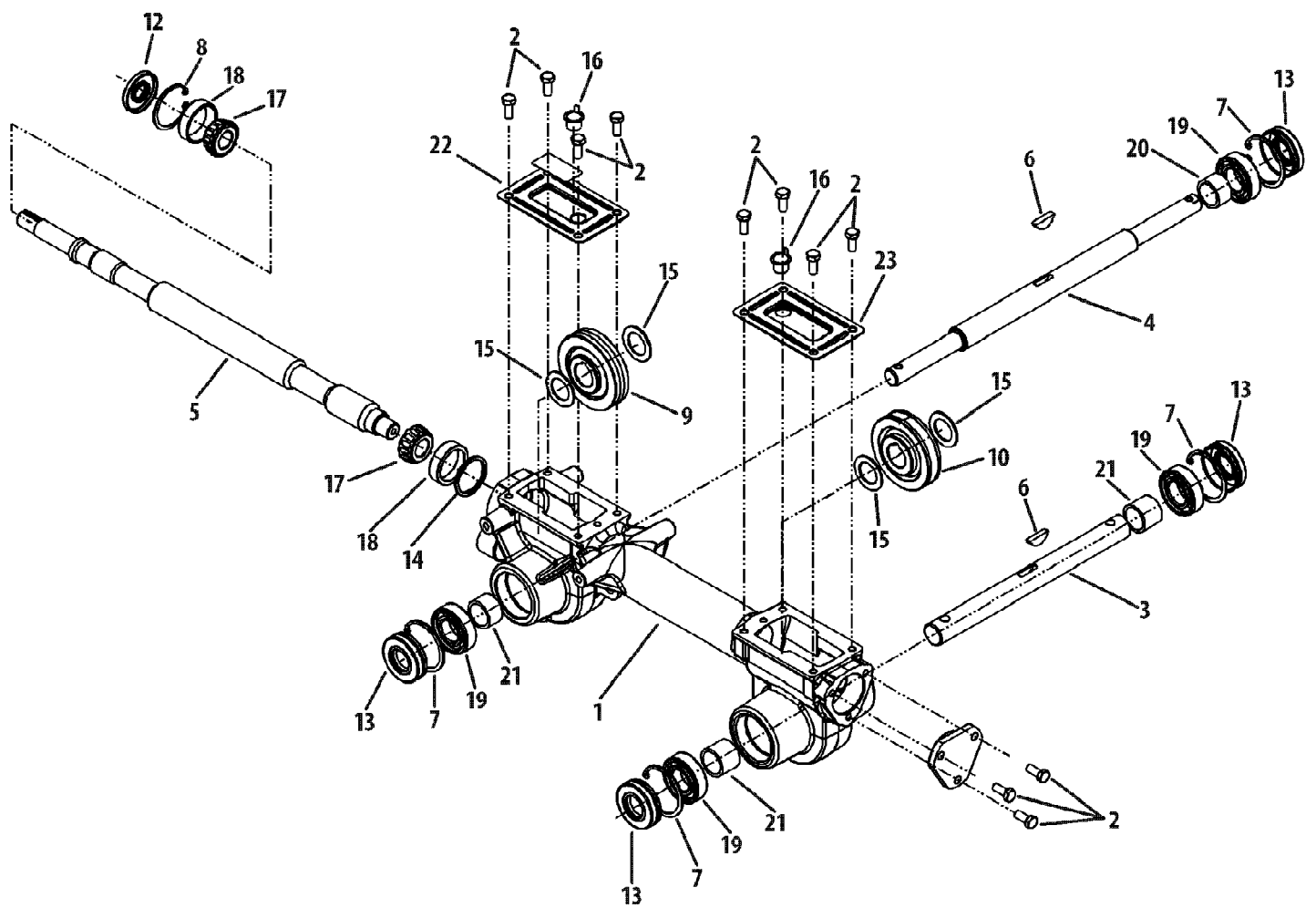
21C-65M1066 Super Bronco CRT Roto-Tiller (2008)
Label Map Super Bronco

Page 9 of 13

Ref #	Part Number	Qty	S/P/F	Description
1	777D12127	1		LABEL-TILLER MTD ENGINE
2	777D12126	1		LABEL-TILLER MTD ENGINE TROY
3	777D10807	1		LABEL-TILLER HANDLE TROY CRT
4	777I20358	1		LABEL-PLACE HAND HERE
5	777I22969	1		LABEL-TILLER 650 HANDLE/RGHT REV
6	777I22968	1		LABEL-TILLER 640/650 HANDLE
7	777I22441	1		LABEL-HNDL PNL INST CRT SPR BRONCO
8	777I22616	1		LABEL:TILLER TINE SHIELD DEPTH
9	777S32660	1		LABEL:TILLER TINE SHIELD



Ref #	Part Number	Qty	S/P/F	Description
	751-10292	1	S	Spark Plug
	NA	1		Pre Filter
	751-10794	1	S	Air Filter
	751-10649	1	S	Fuel Cap
	1916657	1	/P	Drive Belt (FWD)
	1916658	1	/P	Drive Belt (REV)
	746-04413	1		Clutch Cable (FWD)
	746-04414	1	S	Clutch Cable (REV)
	742-04227	1		Tines-Outer (LH)
	742-04226	1		Tines-Outer (RH)
	NA	1		Tines-Inner (LH)
	NA	1		Tines-Inner (RH)
	NA	1		Rim
	NA	1		Tire
	934-04232	1	/P	Wheel Assembly
	NA	1		Foam Grip
	NA	1		Handle Knob



21C-65M1066 Super Bronco CRT Roto-Tiller (2008)
Transmission Assembly

Page 13 of 13

Ref #	Part Number	Qty	S/P/F	Description
1	619-04190	1	S	Transmission Housing
2	710-3008	1	/P	Hex Screw, 5/16-18 x .75
3	711-04844	1	S	Shaft
4	711-04854	1	S	Wheel Shaft
5	711-04882	1	S	Drive Shaft
6	714-04059	1	/P	Hi-Pro Key, .25 x 1.062
7	716-0204	1		Retaining Ring
8	716-04102	1	/P	Retaining Ring
9	717-04380	1	S	Worm Gear, 61T
10	717-04381	1	S	Worm Gear, 30T
11	718-04435	1	S	Bearing Cover
12	721-04030	1	S	Oil Seal, .750 x 1.783
13	721-04232	1		Oil Seal, 1.00 x 2.00
14	736-04305	1	/P	Flat Washer, 1.50 x 1.75 x .062
14	736-04306	1	/P	Flat Washer, 1.50 x 1.75 x .005
14	736-04307	1	/P	Flat Washer, 1.50 x 1.75 x .03
14	736-04308	1	/P	Flat Washer, 1.50 x 1.75 x .010
15	736-0745	1	/P	Flat Washer, 1.010 x 1.56 x .060
16	737-04214	1		Plastic Plug
17	741-04298	1	S	Cone Bearing
18	741-04299	1	S	Cup Bearing
19	741-3114	1		Ball Bearing
20	750-04943	1		Spacer, 1.00 x 1.25 x .73
21	750-04944	1		Spacer, 1.00 x 1.25 x .98
22	786-04366	1		Transmission Cover
23	786-04359	1		Transmission Cover Front