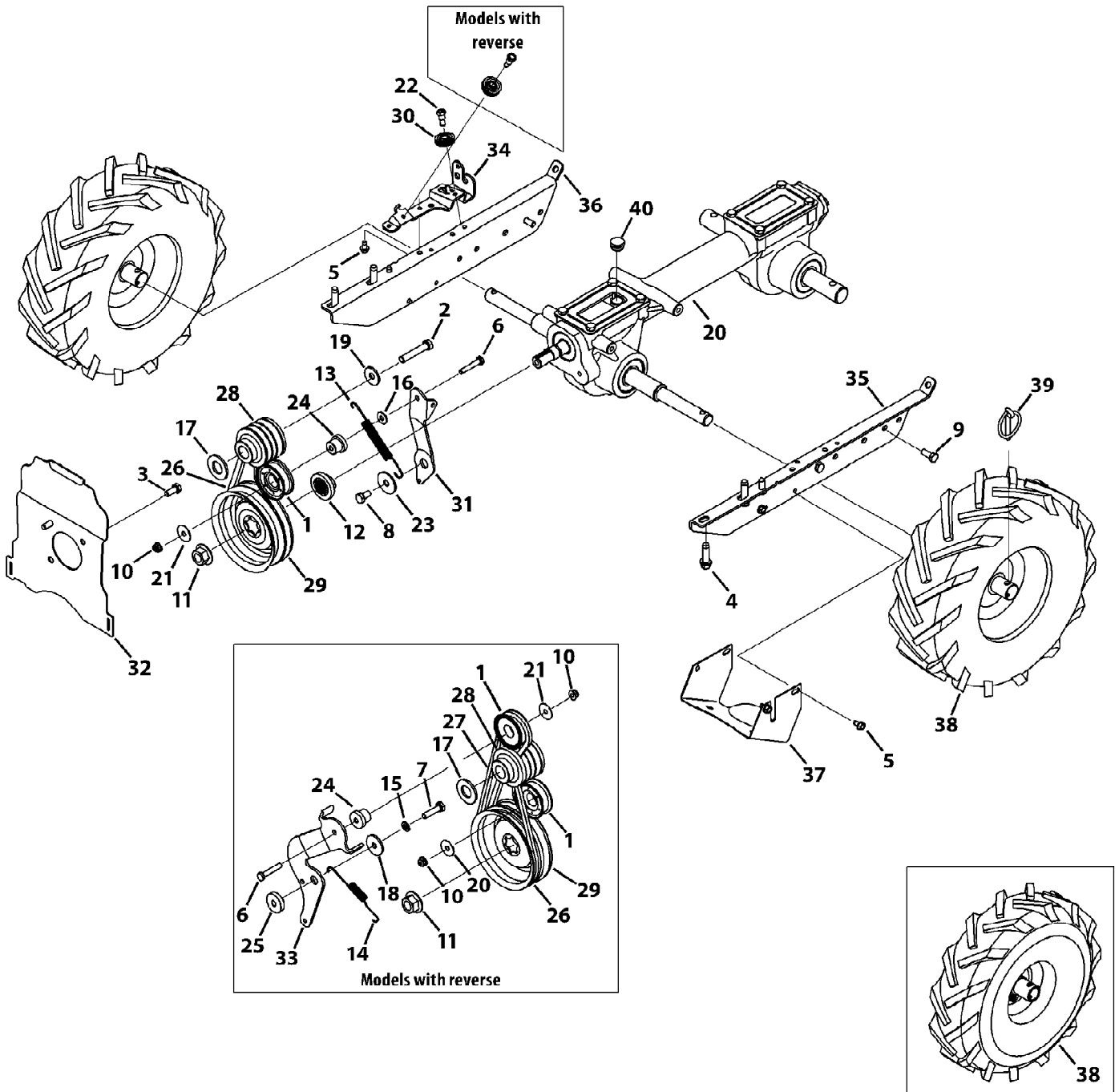


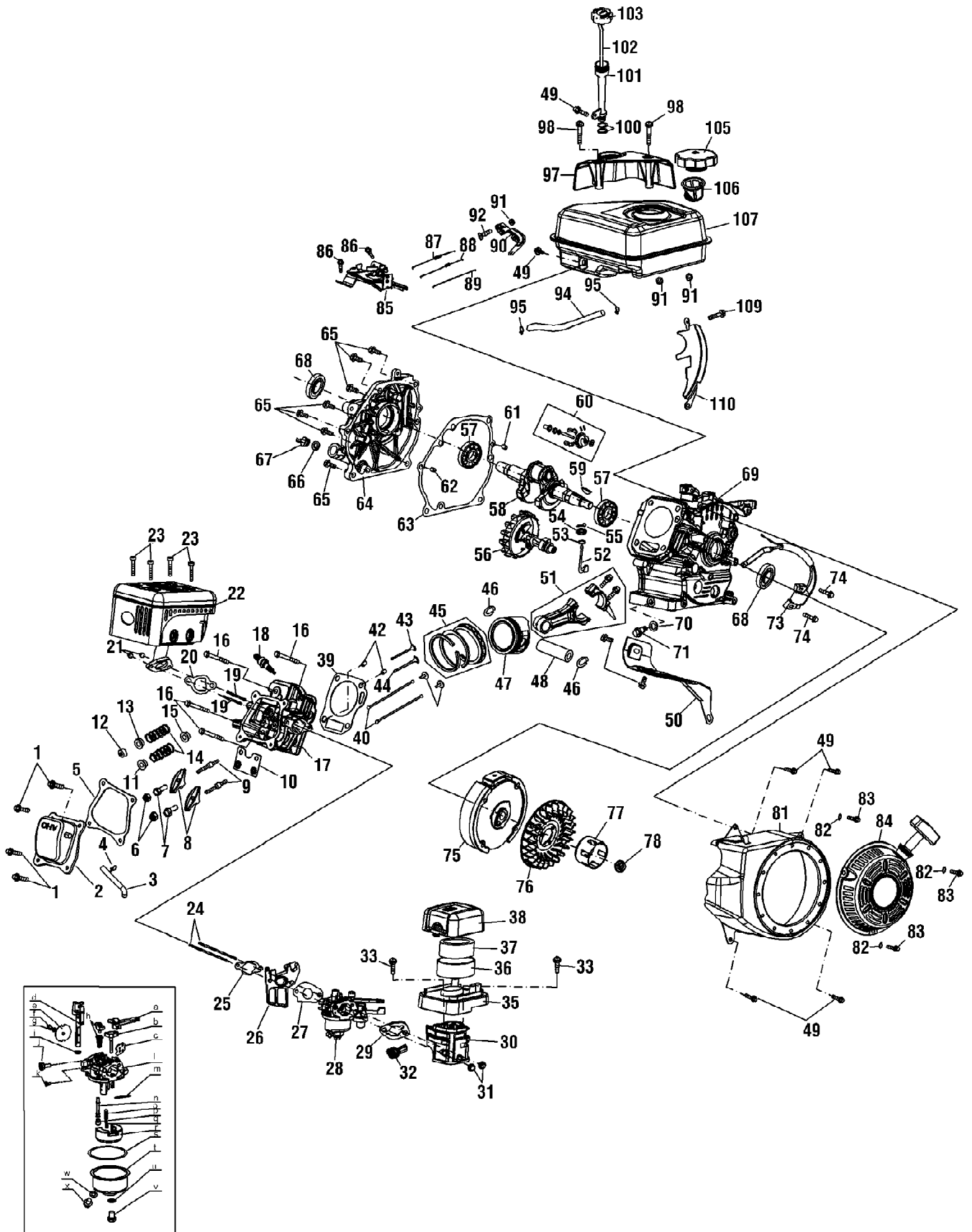
21C-65M1011 Super Bronco CRT Roto-Tiller (2009)
Drive System



21C-65M1011 Super Bronco CRT Roto-Tiller (2009)
Drive System

Page 2 of 20

Ref #	Part Number	Qty	S/P/F	Description
1	684-04168	1		Idler Pulley Assembly, 1.917 OD
2	710-0151	1	/P	Hex Head Screw, 3/8-24 x 2.00
3	710-0170	1		Hex Head Screw, 5/16-24 x .625
4	710-0502A	1	/P	Screw, 3/8-16 x 1.250
5	710-0599	1	/P	Screw, 1/4-20 x 0.500
6	710-0606	1	/P	Hex Head Screw, 1/4-20 x 1.50
7	710-0672	1	/P	Hex Head Screw, 5/16-24 x 1.25
8	710-1880	1		Hex Head Screw, 5/16-18 x .75, Patch
9	710-3008	1	/P	Hex Head Screw, 5/16-18 x .75, Std.
10	712-04064	1	/P	Flangelock Nut, 1/4-20
11	712-0700	1	/P	Flange Nut, 9/16-18
12	718-04407	1		Pulley Hub, 5/8 SPLINE
13	732-04085	1	/P	Extension Spring, .480 OD x 5.00 LG
14	732-04276A	1	/P	Extension Spring, LT5 PTO
15	936-0119	1	/P	Washer, Lock, 5/16
16	736-0173	1	/P	Washer, Flat, .28 x .74 x .063
17	736-0315	1	/P	Washer, Flat, .760 x 1.50 x .120
18	736-0343	1	/P	Washer, Flat, .330 x 1.25 x .120
19	936-0452	1	/P	Washer, Bell, .396 x 1.140 x .095
20	753-06042	1	S	Transmission Assembly 2/23/09 & Before
20	618-04816	1	S	Transmission Assembly 2/23/09 & After
21	736-3092	1	/P	Washer, Flat, .265 x 1.0 x .030
22	738-0924A	1	/P	Screw, Shoulder, 1/4-28 x .340 x .335
23	748-04087A	1	/P	Forward Idler Pivot Spacer
24	750-04571	1		Spacer, Shoulder, .260 x .785 x .538
25	750-04907	1		Reverse Idler Pivot Spacer
26	1916657	1	/P	V Belt, 4L x 25.375 LG
27	1916658	1	/P	V Belt, 3L x 29.125 LG
28	756-04198A	1		Engine Pulley, 3L & 4L
29	756-04355	1		Transmission Pulley
30	756-0625	1		Cable Roller
31	786-04312	1		Forward Idler Bracket
32	786-04343-0638	1		Cover Mounting Plate
33	786-04346	1		Reverse Idler Bracket
34	786-04357-0638	1		Pulley Mounting Bracket
35	786-04367-0638	1		LH Mount Frame
36	786-04368-0638	1		RH Mount Frame
37	786-04371-0638	1		Pulley Shield
38	934-04232	1	/P	Wheel, 13 x 5 x 6
38	934-04453	1	/P	Wheel Assembly, 11 x 4-4 Model 21C-64M
39	714-0143A	1		Klik Pin, .25 DIA x 1.56
40	721-04271	1		Oil Plug



21C-65M1011 Super Bronco CRT Roto-Tiller (2009)
Engine Assembly 170-T0A

Page 4 of 20

Ref #	Part Number	Qty	S/P/F	Description
1	710-04917	1	S	Bolt
2	951-11054A	1	/P	Valve Cover
2	951-11054A	1	/P	Valve Cover Furnish 951-11063A, Valve Cover Gasket Kit
3	731-07059	1		Breather Hose
4	726-04101	1		Breather Hose Clamp
5	951-11565	1	/P	Valve Cover Gasket
5	951-11565	1	/P	Valve Cover Gasket Furnish 951-10798A, Short Block
5	951-11565	1	/P	Valve Cover Gasket Furnish 951-11063A, Valve Cover Gasket Kit
5	951-11565	1	/P	Valve Cover Gasket Furnish 951-10799, Cylinder Head Assembly
5	951-11565	1	/P	Valve Cover Gasket Furnish 951-10819, Cylinder Head Service Kit
5	951-11565	1	/P	Valve Cover Gasket Furnish 951-10802A, Gasket Kit Complete
6	751-11124	1		Nut, Pivot Locking
7	751-11123	1		Valve Adjusting Nut
7	751-11123	2		Valve Adjusting Nut Furnish 951-10799, Cylinder Head Assembly
8	N/A	2		Rocker Arm Furnish 951-10799, Cylinder Head Assembly
9	710-04902	1		Rocker Arm Stud
9	710-04902	2		Rocker Arm Stud Furnish 951-10799, Cylinder Head Assembly
10	N/A	1		Push Rod Guide Furnish 951-10799, Cylinder Head Assembly
11	N/A	1		Valve Spring Retainer-Intake Furnish 951-10799, Cylinder Head Assembly
12	N/A	1		Exhaust Valve Adjustor Furnish 951-10799, Cylinder Head Assembly
13	N/A	1		Valve Spring Retainer-Exhaust Furnish 951-10799, Cylinder Head Assembly
14	N/A	2		Valve Spring Furnish 951-10799, Cylinder Head Assembly
15	N/A	1		Valve Seal Furnish 951-10819, Cylinder Head Service Kit
16	710-05100	1		Cylinder Head Bolt
16	710-05100	4		Cylinder Head Bolt Furnish 951-10819, Cylinder Head Service Kit
17	N/A	1		Cylinder Head Furnish 951-10799, Cylinder Head Assembly
18	951-10292	1	/P	Spark Plug
19	710-04911	1		Muffler Stud

21C-65M1011 Super Bronco CRT Roto-Tiller (2009)
Engine Assembly 170-T0A

Page 5 of 20

Ref #	Part Number	Qty	S/P/F	Description
19	710-04911	2		Muffler Stud Furnish 951-10657, Muffler Stud Assembly
20	N/A	1		Exhaust Pipe Gasket Furnish 951-10798A, Short Block
20	N/A	1		Exhaust Pipe Gasket Furnish 951-10799, Cylinder Head Assembly
20	N/A	1		Exhaust Pipe Gasket Furnish 951-10801A, Gasket Kit External
20	N/A	1		Exhaust Pipe Gasket Furnish 951-10802A, Gasket Kit Complete
21	712-04214	1		Nut
22	951-10793	1	/P	Muffler Assembly
23	710-05002	1		Bolt
24	710-05101	1		Carburetor Stud
25	751-11567	1	S	Carburetor Insulator Gasket
25	751-11567	1	S	Carburetor Insulator Gasket Furnish 951-10798A, Short Block
25	751-11567	1	S	Carburetor Insulator Gasket Furnish 951-10799, Cylinder Head Assembly
25	751-11567	1	S	Carburetor Insulator Gasket Furnish 951-10801A, Gasket Kit External
25	751-11567	1	S	Carburetor Insulator Gasket Furnish 951-10802A, Gasket Kit Complete
26	951-11568	1	/P	Carburetor Insulator
26	951-11568	1	/P	Carburetor Insulator Furnish 951-10798A, Short Block
26	951-11568	1	/P	Carburetor Insulator Furnish 951-10799, Cylinder Head Assembly
26	951-11568	1	/P	Carburetor Insulator Furnish 951-10802A, Gasket Kit Complete
27	951-11569	1	/P	Carburetor Gasket
27	951-11569	1	/P	Carburetor Gasket Furnish 951-10801A, Gasket Kit External
27	951-11569	1	/P	Carburetor Gasket Furnish 951-10802A, Gasket Kit Complete
28	951-10797	1	/P	Carburetor Assembly (Incl. Ref No. a-x)
29	951-11571	1	/P	Carburetor Gasket Plate
29	951-11571	1	/P	Carburetor Gasket Plate Furnish 951-10798A, Short Block
29	951-11571	1	/P	Carburetor Gasket Plate Furnish 951-10802A, Gasket Kit Complete
30	951-10806	1	/P	Air Cleaner Housing
31	712-04213	1	/P	Nut
32	951-11067	1	/P	Throttle Control Knob
33	710-05102	1		Self-Tapping Bolt

21C-65M1011 Super Bronco CRT Roto-Tiller (2009)
Engine Assembly 170-T0A

Page 6 of 20

Ref #	Part Number	Qty	S/P/F	Description
35	N/A	1		Lower Housing Furnish 951-10818, Air Cleaner Housing Assembly
36	N/A	1		Air Cleaner Foam Wrap Furnish 951-10794, Air Cleaner
37	N/A	1		Air Cleaner Element Furnish 951-10794, Air Cleaner
38	N/A	1		Upper Housing Furnish 951-10818, Air Cleaner Housing Assembly
39	951-11572	1	/P	Cylinder Head Gasket
39	951-11572	1	/P	Cylinder Head Gasket Furnish 951-10798A, Short Block
39	951-11572	1	/P	Cylinder Head Gasket Furnish 951-10799, Cylinder Head Assembly
39	951-11572	1	/P	Cylinder Head Gasket Furnish 951-10819, Cylinder Head Service Kit
39	951-11572	1	/P	Cylinder Head Gasket Furnish 951-10802A, Gasket Kit Complete
40	951-10648	1	/P	Push Rod Kit
41	N/A	2		Valve Lifter Furnish 951-10798A, Short Block
42	715-04090	1		Dowel Pin
42	715-04090	2		Dowel Pin Furnish 951-10799, Cylinder Head Assembly
43	N/A	1		Exhaust Valve Furnish 951-10799, Cylinder Head Assembly
43	N/A	1		Exhaust Valve Furnish 951-10647, Valve Kit
44	N/A	1		Intake Valve Furnish 951-10799, Cylinder Head Assembly
44	N/A	1		Intake Valve Furnish 951-10647, Valve Kit
45	951-11253	1	/P	Piston Ring Set
45	951-11253	1	/P	Piston Ring Set Furnish 951-10798A, Short Block
46	N/A	2		Piston Pin Clip Furnish 951-10798A, Short Block
47	N/A	1		Piston Furnish 951-10798A, Short Block
48	N/A	1		Piston Pin Furnish 951-10798A, Short Block
49	710-04915	1		Bolt
50	951-11113	1	/P	Air Shield
51	951-11573	1	/P	Connecting Rod Assembly
51	951-11573	1	/P	Connecting Rod Assembly Furnish 951-10798A, Short Block
52	951-11356	1	/P	Governor Arm Shaft
52	951-11356	1	/P	Governor Arm Shaft Furnish 951-10798A, Short Block
52	951-11356	1	/P	Governor Arm Shaft Furnish 951-11588, Crankcase Kit

21C-65M1011 Super Bronco CRT Roto-Tiller (2009)
Engine Assembly 170-T0A

Page 7 of 20

Ref #	Part Number	Qty	S/P/F	Description
53	736-04461	1		Governor Shaft O-Ring
53	736-04461	1		Governor Shaft O-Ring Furnish 951-10798A, Short Block
53	736-04461	1		Governor Shaft O-Ring Furnish 951-11588, Crankcase Kit
53	736-04461	1		Governor Shaft O-Ring Furnish 951-10802A, Gasket Kit Complete
54	951-11574	1	/P	Governor Seal
54	951-11574	1	/P	Governor Seal Furnish 951-10798A, Short Block
54	951-11574	1	/P	Governor Seal Furnish 951-11588, Crankcase Kit
55	714-04078	1		Cotter Pin
55	714-04078	1		Cotter Pin Furnish 951-10798A, Short Block
55	714-04078	1		Cotter Pin Furnish 951-11588, Crankcase Kit
56	951-11575	1	/P	Camshaft Assembly
56	951-11575	1	/P	Camshaft Assembly Furnish 951-10798A, Short Block
57	951-11369	1	/P	Radial Ball Bearing
57	951-11369	2	/P	Radial Ball Bearing Furnish 951-10798A, Short Block
57	951-11369	2	/P	Radial Ball Bearing Furnish 951-11587 Crankshaft Kit
57	951-11369	1	/P	Radial Ball Bearing Furnish 951-11586, Crankcase Cover Kit
57	951-11369	1	/P	Radial Ball Bearing Furnish 951-11588, Crankcase Kit
58	N/A	1		Crankshaft Assembly Furnish 951-10798A, Short Block
58	N/A	1		Crankshaft Assembly Furnish 951-11587 Crankshaft Kit
59	951-10307	1	/P	Flywheel Key
59	951-10307	1	/P	Flywheel Key Furnish 951-11587 Crankshaft Kit
60	951-11576	1	/P	Governor Assembly
60	951-11576	1	/P	Governor Assembly Furnish 951-10798A, Short Block
61	715-04092	1		Dowel Pin, 7 x 14
61	715-04092	1		Dowel Pin, 7 x 14 Furnish 951-10798A, Short Block
62	715-04089	1		Dowel Pin, 9 x 14
62	715-04089	1		Dowel Pin, 9 x 14 Furnish 951-10798A, Short Block
63	951-11371	1	/P	Crankcase Cover Gasket

Ref #	Part Number	Qty	S/P/F	Description
63	951-11371	1	/P	Crankcase Cover Gasket Furnish 951-10798A, Short Block
63	951-11371	1	/P	Crankcase Cover Gasket Furnish 951-11587 Crankshaft Kit
63	951-11371	1	/P	Crankcase Cover Gasket Furnish 951-11586, Crankcase Cover Kit
63	951-11371	1	/P	Crankcase Cover Gasket Furnish 951-10802A, Gasket Kit Complete
64	N/A	1		Crankcase Cover Furnish 951-10798A, Short Block
64	N/A	1		Crankcase Cover Furnish 951-11586, Crankcase Cover Kit
65	710-04932	1		Bolt
65	710-04932	7		Bolt Furnish 951-10798A, Short Block
65	710-04932	7		Bolt Furnish 951-11586, Crankcase Cover Kit
66	951-11577	1	/P	O-Ring
66	951-11577	1	/P	O-Ring Furnish 951-10798A, Short Block
66	951-11577	1	/P	O-Ring Furnish 951-10801A, Gasket Kit External
66	951-11577	1	/P	O-Ring Furnish 951-10669, Oil Fill Plug Assembly
66	951-11577	1	/P	O-Ring Furnish 951-10802A, Gasket Kit Complete
67	N/A	1		Oil Filler Plug Furnish 951-10798A, Short Block
67	N/A	1		Oil Filler Plug Furnish 951-10669, Oil Fill Plug Assembly
68	951-11578	1	/P	Oil Seal
68	951-11578	2	/P	Oil Seal Furnish 951-10798A, Short Block
68	951-11578	2	/P	Oil Seal Furnish 951-11587 Crankshaft Kit
68	951-11578	1	/P	Oil Seal Furnish 951-11586, Crankcase Cover Kit
68	951-11578	1	/P	Oil Seal Furnish 951-11588, Crankcase Kit
68	951-11578	2	/P	Oil Seal Furnish 951-10802A, Gasket Kit Complete
69	N/A	1		Crankcase Complete Furnish 951-10798A, Short Block
69	N/A	1		Crankcase Complete Furnish 951-11588, Crankcase Kit
70	736-04440	1	/P	Oil Drain Plug Washer
70	736-04440	2	/P	Oil Drain Plug Washer Furnish 951-10798A, Short Block
70	736-04440	1	/P	Oil Drain Plug Washer Furnish 951-10801A, Gasket Kit External

Ref #	Part Number	Qty	S/P/F	Description
70	736-04440	1	/P	Oil Drain Plug Washer Furnish 951-10802A, Gasket Kit Complete
71	710-04906	1		Oil Drain Plug
71	710-04906	2		Oil Drain Plug Furnish 951-10798A, Short Block
73	951-10792	1	/P	Ignition Coil
74	710-04919	1	/P	Bolt
75	951-10805	1	/P	Flywheel
76	951-10934	1	/P	Cooling Fan
77	951-10911	1	/P	Starter Cup
78	712-04209	1	/P	Nut
81	951-11583	1	/P	Blower Housing
82	736-04455	1		Washer
83	710-04914	1		Bolt
84	951-10790	1	/P	Recoil Starter Assembly
85	951-11584	1	/P	Primer Bracket
86	710-05103	1		Bolt
87	951-11585	1	/P	Governor Spring
88	951-10664	1	/P	Throttle Linkage Spring
89	951-10665	1	/P	Throttle Linkage
90	951-11106	1	/P	Governor Arm
91	712-04212	1	/P	Nut
92	710-04908	1		Governor Arm Bolt
94	N/A	1		Fuel Hose Furnish 951-10650, Fuel Line Kit
95	N/A	2		Hose Clamp Furnish 951-10650, Fuel Line Kit
97	951-10662	1	/P	Engine/Dipstick Cover
98	710-04905	1		Bolt
100	951-11380	1	/P	O-Ring
101	951-10656	1	/P	Dipstick Tube
102	N/A	1		Dipstick Gauge Furnish 951-10655, Dipstick Assembly
103	N/A	1		Dipstick Cap Furnish 951-10655, Dipstick Assembly
105	951-10917	1	/P	Fuel Cap (Incl. Gasket & Retainer)
106	951-10652	1	/P	Fuel Filter
107	951-10796	1	/P	Fuel Tank
109	710-04918	1		Bolt
110	951-11109	1	/P	Blower Housing Shield
a	951-11177	1	/P	Choke Control Lever
a	951-11177	1	/P	Choke Control Lever Furnish 951-10797, Carburetor Assembly
a	951-11177	1	/P	Choke Control Lever Furnish 951-10800A, Carburetor Kit Major
b	N/A	1		Choke Shaft Furnish 951-10797, Carburetor Assembly
c	N/A	1		Choke Plate Furnish 951-10797, Carburetor Assembly

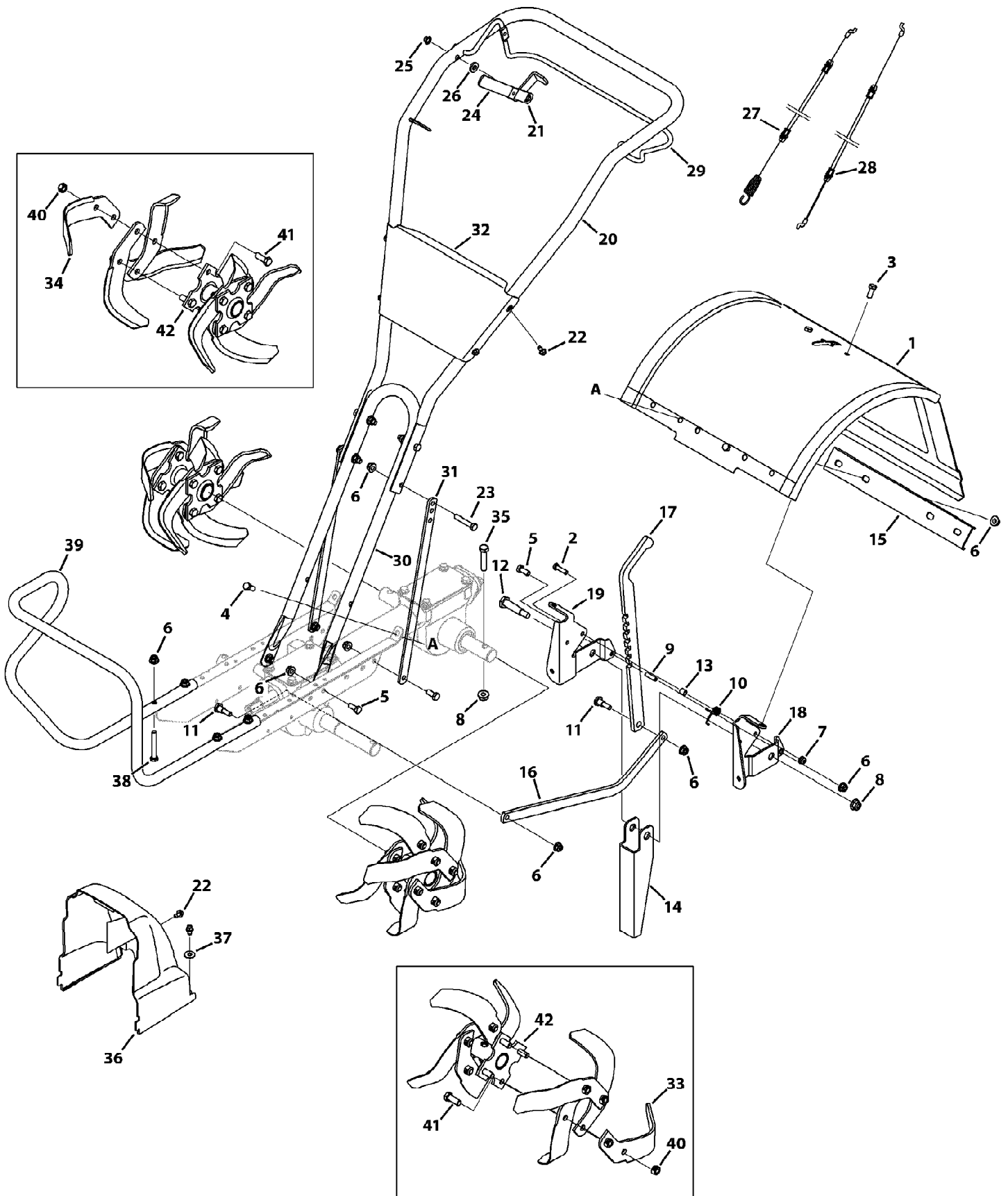
Ref #	Part Number	Qty	S/P/F	Description
d	N/A	1		Throttle Shaft Furnish 951-10797, Carburetor Assembly
e	N/A	1		Throttle Plate Furnish 951-10797, Carburetor Assembly
f	N/A	1		Screw Furnish 951-10797, Carburetor Assembly
g	N/A	1		Lock Washer Furnish 951-10797, Carburetor Assembly
h	N/A	1		Idle Jet Assembly Furnish 951-10797, Carburetor Assembly
h	N/A	1		Idle Jet Assembly Furnish 951-10800A, Carburetor Kit Major
i	N/A	1		Throttle Plate Gasket Furnish 951-10797, Carburetor Assembly
i	N/A	1		Throttle Plate Gasket Furnish 951-10800A, Carburetor Kit Major
j	N/A	1		Idle Speed Adjusting Screw Furnish 951-10797, Carburetor Assembly
j	N/A	1		Idle Speed Adjusting Screw Furnish 951-10800A, Carburetor Kit Major
k	N/A	1		Mixture Screw Furnish 951-10797, Carburetor Assembly
l	N/A	1		Carburetor Body Furnish 951-10797, Carburetor Assembly
m	N/A	1		Float Pin Furnish 951-10797, Carburetor Assembly
m	N/A	1		Float Pin Furnish 951-10800A, Carburetor Kit Major
n	N/A	1		Main Nozzle Furnish 951-10797, Carburetor Assembly
n	N/A	1		Main Nozzle Furnish 951-10800A, Carburetor Kit Major
o	N/A	1		Needle Valve (Float) Furnish 951-10797, Carburetor Assembly
o	N/A	1		Needle Valve (Float) Furnish 951-10800A, Carburetor Kit Major
p	N/A	1		Main Jet Furnish 951-10797, Carburetor Assembly
p	N/A	1		Main Jet Furnish 951-10800A, Carburetor Kit Major
q	N/A	1		Needle Valve Spring Furnish 951-10797, Carburetor Assembly

Ref #	Part Number	Qty	S/P/F	Description
q	N/A	1		Needle Valve Spring Furnish 951-10800A, Carburetor Kit Major
r	N/A	1		Float Furnish 951-10797, Carburetor Assembly
r	N/A	1		Float Furnish 951-10800A, Carburetor Kit Major
s	951-11589	1	/P	Fuel Bowl Gasket
s	951-11589	1	/P	Fuel Bowl Gasket Furnish 951-10797, Carburetor Assembly
s	951-11589	1	/P	Fuel Bowl Gasket Furnish 951-10800A, Carburetor Kit Major
t	N/A	1		Fuel Bowl Furnish 951-10797, Carburetor Assembly
u	710-04904	1		Fuel Bowl Bolt Gasket
u	710-04904	1		Fuel Bowl Bolt Gasket Furnish 951-10797, Carburetor Assembly
u	710-04904	1		Fuel Bowl Bolt Gasket Furnish 951-10800A, Carburetor Kit Major
v	710-04945	1		Fuel Bowl Mounting Bolt
v	710-04945	1		Fuel Bowl Mounting Bolt Furnish 951-10797, Carburetor Assembly
w	951-11349	1	/P	Fuel Drain Plug Gasket
w	951-11349	1	/P	Fuel Drain Plug Gasket Furnish 951-10797, Carburetor Assembly
w	951-11349	1	/P	Fuel Drain Plug Gasket Furnish 951-10800A, Carburetor Kit Major
x	710-04903	1	S	Fuel Drain Bolt
x	710-04903	1	S	Fuel Drain Bolt Furnish 951-10797, Carburetor Assembly
	951-10829	1	/P	Spark Arrestor Not Shown
	951-10651	1	/P	Fuel Tank Nipple Not Shown
	951-10798A	1	/P	Short Block Not Shown (Incl. Ref No. 5, 20, 25, 26, 29, 39, 41, 45-48, 51-58, 60-71)
	951-11587	1	/P	Crankshaft Kit Not Shown (Incl. Ref No. 57-59, 63, 68)
	951-11063A	1	/P	Valve Cover Gasket Kit Not Shown (Incl. Ref No. 2, 5)
	951-10799	1	/P	Cylinder Head Assembly Not Shown (Incl. Ref No. 5, 7-14, 17,20, 25, 26, 39, 42-44)
	951-11586	1	/P	Crankcase Cover Kit Not Shown (Incl. Ref No. 57, 63-65, 68)
	951-11588	1	/P	Crankcase Kit Not Shown (Incl. Ref No. 52-55, 57, 68, 69)

21C-65M1011 Super Bronco CRT Roto-Tiller (2009)
Engine Assembly 170-T0A

Page 12 of 20

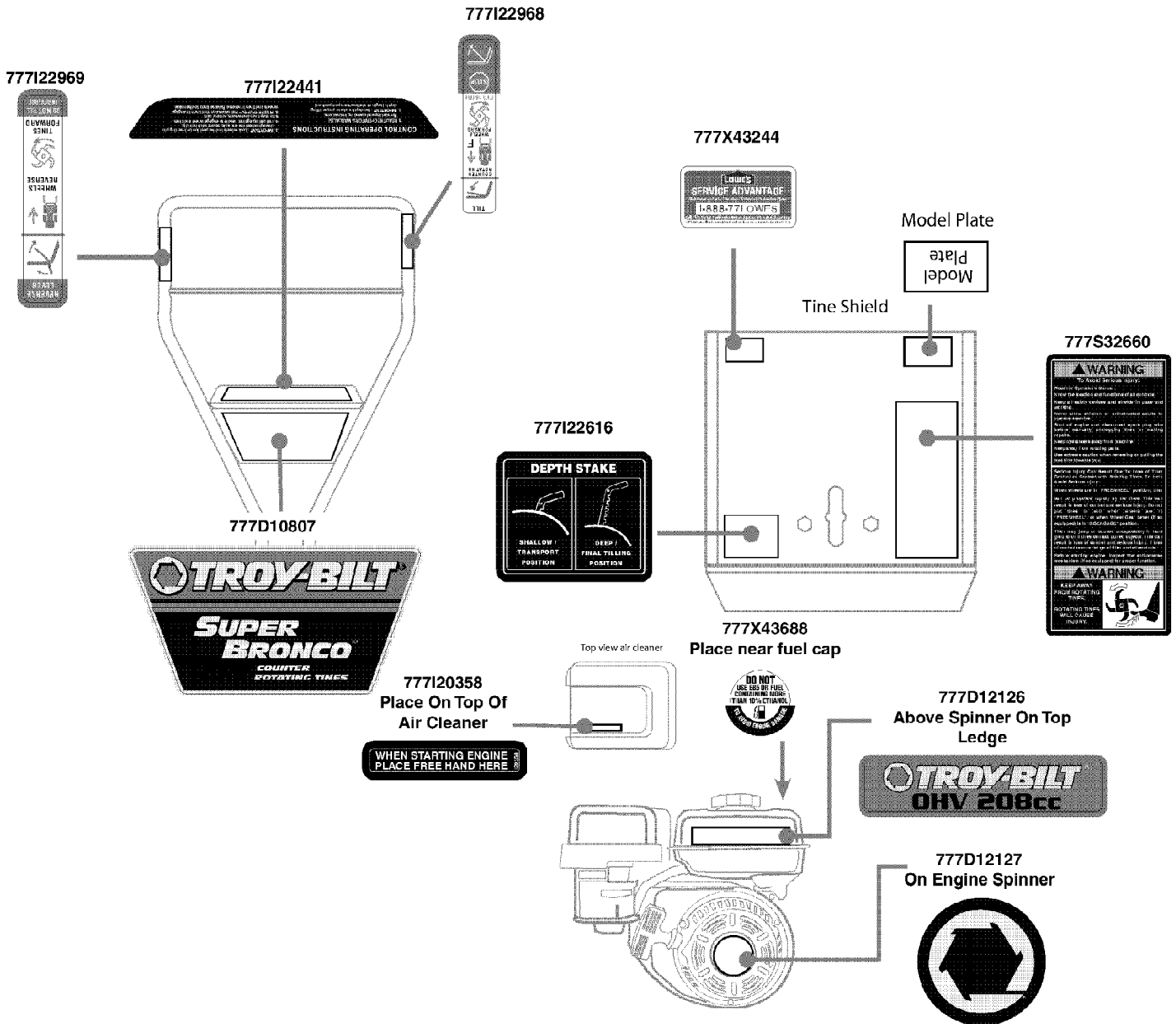
Ref #	Part Number	Qty	S/P/F	Description
	951-10801A	1	/P	Gasket Kit - External Not Shown (Incl. Ref No. 20, 25, 27, 66, 70)
	951-10818	1	/P	Air Cleaner Housing Assembly Not Shown (Incl. Ref No. 35, 38)
	951-10800A	1	/P	Carburetor Repair Kit - Major Not Shown (Incl. Ref No. a, h-j, m-s, u, w)
	951-10647	1	/P	Valve Kit Not Shown (Incl. Ref No. 43, 44)
	951-10655	1	/P	Dipstick Assembly Not Shown (Incl. Ref No. 102, 103)
	951-10669	1	/P	Oil Fill Plug Assembly Not Shown (Incl. Ref No. 66, 67)
	951-10650	1	/P	Fuel Line Kit Not Shown (Incl. Ref No. 94, 95)
	951-10657	1	/P	Muffler Stud Assembly Not Shown (Incl. Ref No. 19)
	951-10819	1	/P	Cylinder Head Service Kit Not Shown (Incl. Ref No. 5, 15, 16, 39)
	951-10794	1	/P	Air Cleaner Not Shown (Incl. Ref No. 36, 37)
	951-10802A	1	/P	Gasket Kit - Complete Not Shown (Incl. Ref No. 5, 20, 25-27, 29, 39, 53, 63, 66, 68, 70)
	951-10826	1	/P	Recoil Spring & Pulley Assembly Not Shown (Incl. Pulley & Spring)
		1		Starter Pulley Not Shown Furnish 951-10826, Recoil Spring & Pulley Assembly
		1		Recoil Spring Not Shown Furnish 951-10826, Recoil Spring & Pulley Assembly
		1		Gasket Not Shown Furnish 951-10917, Fuel Cap
		1		Gasket Retainer Not Shown Furnish 951-10917, Fuel Cap
	952Z170-T0A	1	/P	Complete Engine Not Shown



21C-65M1011 Super Bronco CRT Roto-Tiller (2009)
Handle, Tine Shields, & Tines

Page 14 of 20

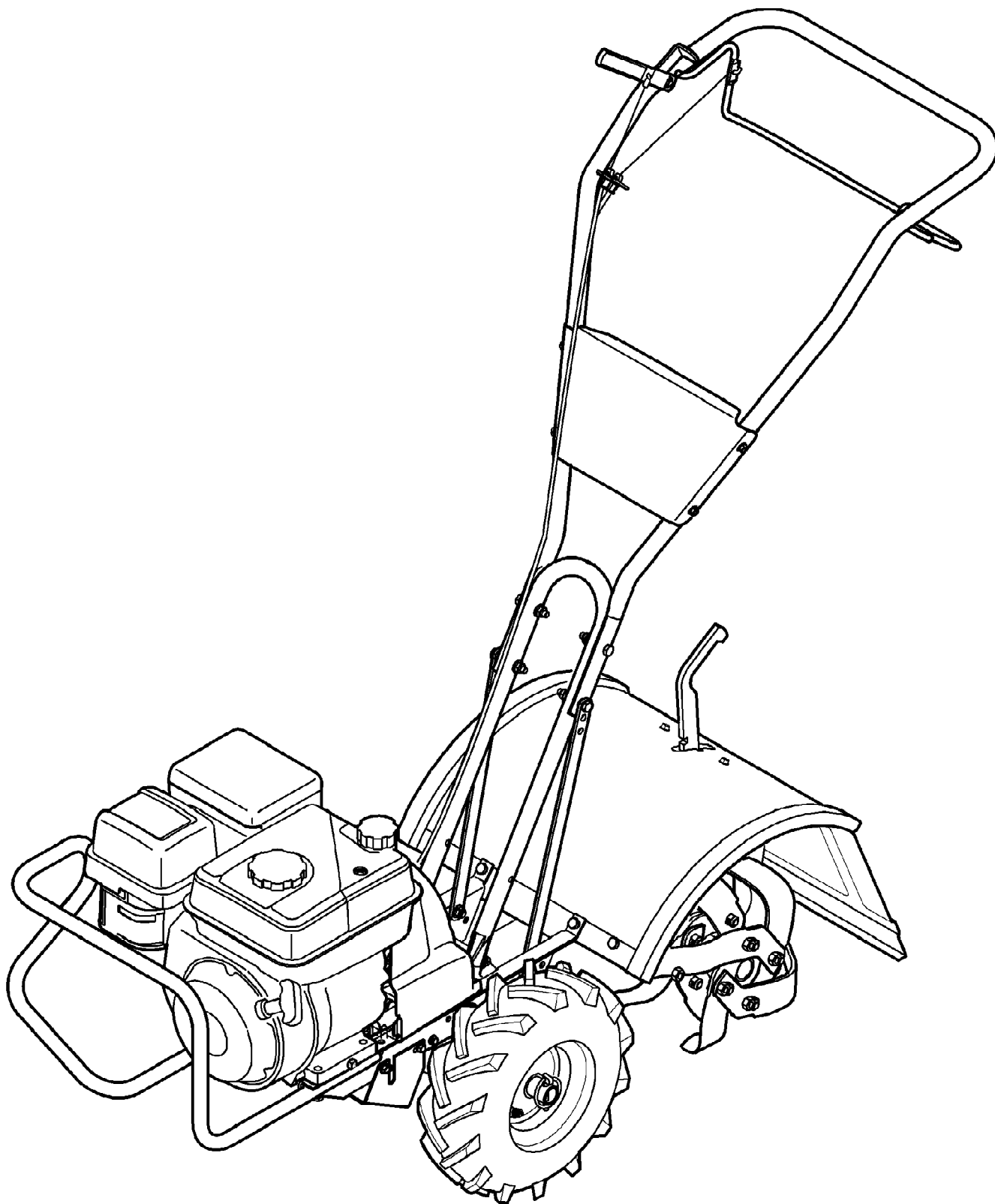
Ref #	Part Number	Qty	S/P/F	Description
1	686-04077-0638	1	/P	Tine Shield Assembly Model 21C-65M
1	686-04076-0638	1	/P	Tine Shield Assembly
2	710-0597	1	/P	Hex Head Screw, 1/4-20 x 1.00
3	710-0604A	1	/P	Screw, 5/16-18 x 0.625
4	710-1238	1	/P	Hex Head Washer, 5/16-18 x .875
5	710-3008	1	/P	Hex Head Screw, 5/16-18 x .75
6	712-04063	1	/P	Flangelock Nut, 5/16-18
7	712-04064	1	/P	Flangelock Nut, 1/4-20
8	712-04065	1	/P	Flangelock Nut, 3/8-16
9	715-0108	1	/P	Spring Pin, 1/4 DIA x 1.00 LG
10	732-04320	1	/P	Torsion Spring
11	738-04320	1		Screw, Shoulder, 5/16-18 x .405 x .435
12	938-0533	1	/P	Screw, Shoulder, \$r .498 x 1.635
13	750-04556	1		Spacer, Split, .350 x .268 x .375
14	786-04092-0638	1		Stop Reverse Arm
15	786-04098-0638	1		Support Channel Bracket
16	786-04104-0638	1	/P	Depth Drag Bar
17	786-04292-0638	1	/P	Depth Adjuster Bar
18	786-04363-0638	1		LH Tail Bracket
19	786-04364-0638	1		RH Tail Bracket
20	649-04066-0638	1	/P	Upper Handle Assembly
21	686-04098-0638	1		Reverse Handle Assembly Model 21C-65M
22	710-0599	1	/P	Screw, 1/4-20 x 0.500
23	710-0805	1	/P	Hex Head Screw, 5/16-18 x 1.50
24	720-0270A	1		Reverse Handle Grip Model 21C-65M
25	726-0135	1	/P	Speed Nut, Cap, .3125 DIA. Model 21C-65M
26	936-3008	1	/P	Flat Washer, .344 x .750 x .120 Model 21C-65M
27	746-04413	1		Forward Cable
28	746-04414	1	S	Reverse Cable Model 21C-65M
29	747-04789-0637	1	/P	Clutch Bail
30	749-04208-0638	1	/P	Lower Handle
31	786-04188-0638	1	/P	Support Handle Bracket
32	786-04200-0638	1	/P	Handle Panel
33	742-04227-0637	1	/P	RH Bolo Tine Used on RH in this Application
34	742-04226-0637	1	/P	LH Bolo Tine Used on LH in this Application
35	710-0347	1	/P	Hex Head Screw, 3/8-16 x 1.75
36	731-06170	1		Belt Cover
37	736-0173	1	/P	Washer, Flat, .28 x .74 x .063
38	710-0395	1	/P	Hex Head Screw, 5/16-18 x 2.25 Model 21C-65M
39	749-04193-0637	1	/P	Bumper Model 21C-65M
40	912-3000	1	/P	Nut, Hexlock, 3/8-16
41	710-0514	1	/P	Hex Head Screw, 3/8-16 x 1.00
42	686-04065-0637	1	/P	Tine Holder Assembly Model 21C-65M
42	686-04066	1		Tine Holder Assembly



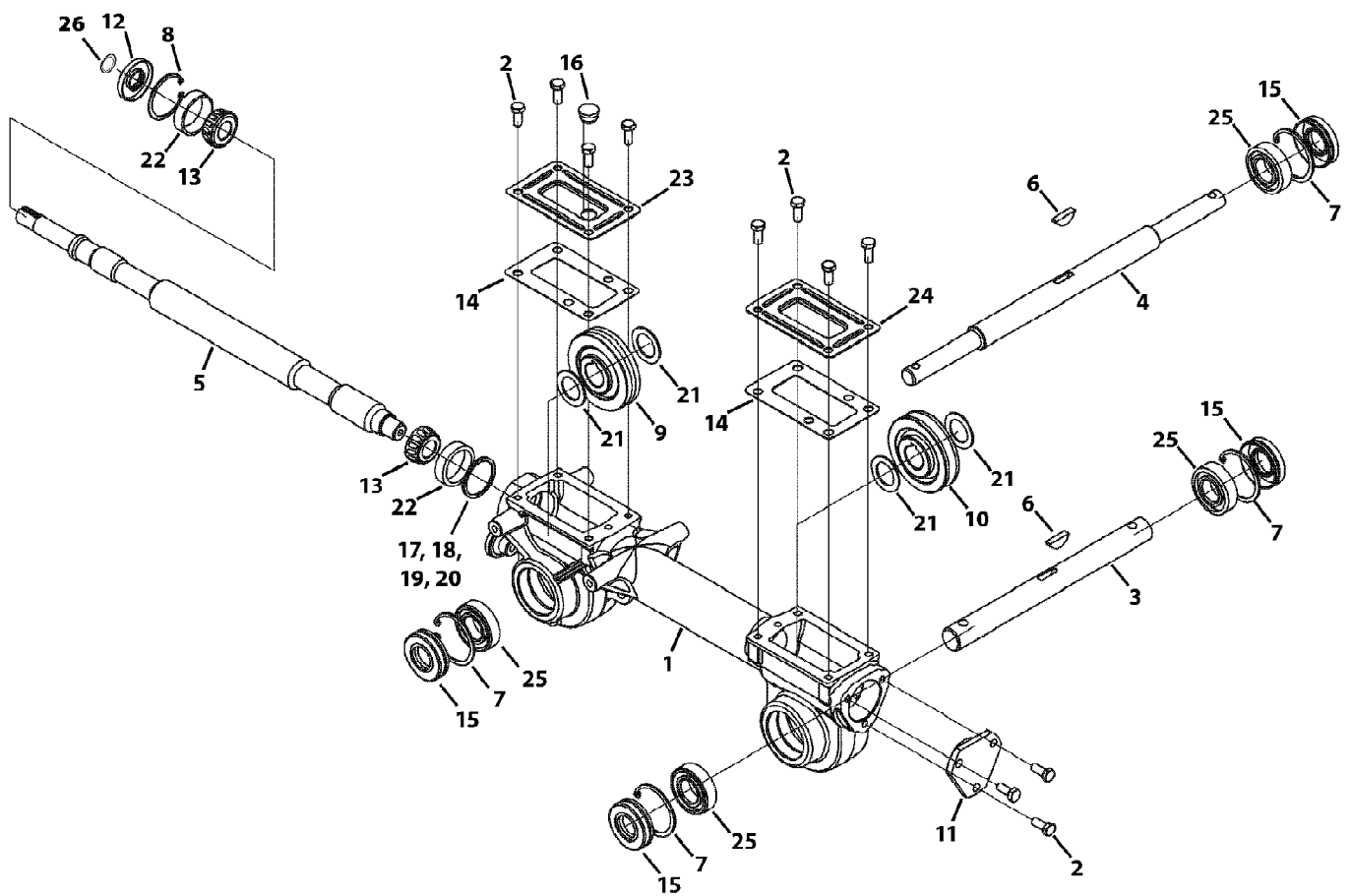
21C-65M1011 Super Bronco CRT Roto-Tiller (2009)
Label Map 65M

Page 16 of 20

Ref #	Part Number	Qty	S/P/F	Description
777I22969	777I22969	1		LABEL-TILLER 650 HANDLE/RGHT REV
777D10807	777D10807	1		LABEL-TILLER HANDLE TROY CRT
777I20358	777I20358	1		LBL-PLACE HAND HERE
777D12127	777D12127	1		LABEL-TILLER MTD ENGINE
777D12126	777D12126	1		LABEL-TILLER MTD ENGINE TROY
777X43688	777X43688	1		LABEL-ETHANOL
777I22616	777I22616	1		LABEL:TILLER TINE SHIELD DEPTH
777S32660	777S32660	1		LABEL:TILLER TINE SHIELD
777X43244	777X43244	1		LABEL-LOWE'S SERVICE ADVANTAGE
777I22968	777I22968	1		LABEL-TILLER 640/650 HANDLE
777I22441	777I22441	1		LABEL-HNDL PNL INS



Ref #	Part Number	Qty	S/P/F	Description
	951-10292	1	/P	Spark Plug
	N/A	1		Pre Filter
	951-10794	1	/P	Air Filter
	951-10649	1	/P	Fuel Filter
	1916657	1	/P	Drive Belt - FWD
	1916658	1	/P	Drive Belt - REV 21C-65M Models Only
	684-04168	1		Idler Pulley
	746-04413	1		Clutch Cable - FWD
	746-04414	1	S	Clutch Cable - REV 21C-65M Models Only
	742-04227-0637	1	/P	Tines - RH Used on RH in this Application
	742-04226-0637	1	/P	Tines - LH Used on LH in this Application
	934-04232	1	/P	Wheel Assembly 21C-65M Models Only
	934-04453	1	/P	Wheel Assembly 21C-64M Models Only
	N/A	1		Foam Grip
	N/A	1		Shift Control Knob
	N/A	1		Handle Knob
	749-04193-0637	1	/P	Bumper 21C-65M Models Only



21C-65M1011 Super Bronco CRT Roto-Tiller (2009)
Transmission

Page 20 of 20

Ref #	Part Number	Qty	S/P/F	Description
1	919-04202	1	S	Transmission Housing
2	710-3008	1	/P	Hex Head Screw, 5/16-18 x .75
3	911-04844	1	/P	Tiller Shaft
4	911-04854	1	/P	SHF:WHL
5	911-04882	1	/P	CRT Drive Shaft 02-23-09 & Before Used on 618-04735/753-06042 Transmission
5	711-05035	1		CRT Drive Shaft 02-23-09 & After Used on 918-04816 Transmission
6	714-04059	1	/P	Key, .25 x 1.062
7	716-0204	1		Retainer Key
8	716-04102	1	/P	Retainer Ring
9	917-04380	1	/P	RH Gear Worm, 61T
10	917-04381	1	/P	LH Gear Worm, 30T
11	918-04435	1	/P	Bearing Cover
12	921-04030	1	/P	Oil Seal, .750 SHF x 1.783 BORE
13	941-04298	1	/P	Cone Bearing
14	921-04229	1	/P	Gear Housing Gasket
15	721-04232	1		Oil Seal, 1.00 SHF x 2.00 BORE
16	721-04271	1		Rubber Oil Plug
17	736-04305	1	/P	Washer, Flat, 1.50 x 1.75 x .062
18	736-04306	1	/P	Washer, Flat, 1.50 x 1.75 x .005
19	736-04307	1	/P	Washer, Flat, 1.50 x 1.75 x .03
20	736-04308	1	/P	Washer, Flat, 1.50 x 1.75 x .010
21	736-0745	1	/P	Washer, Flat, 1.010 x 1.56 x .060
22	941-04299	1	/P	Cup Bearing
23	786-04366	1		Tiller Transmission Cover
24	786-04392	1		Tiller Transmission Cover
25	741-3114	1		Ball Bearing, 1 x 52 x 15 x 6205-1
26	732-0614	1		Wire Ring 02-23-09 & After Only used on 918-04816 Transmission