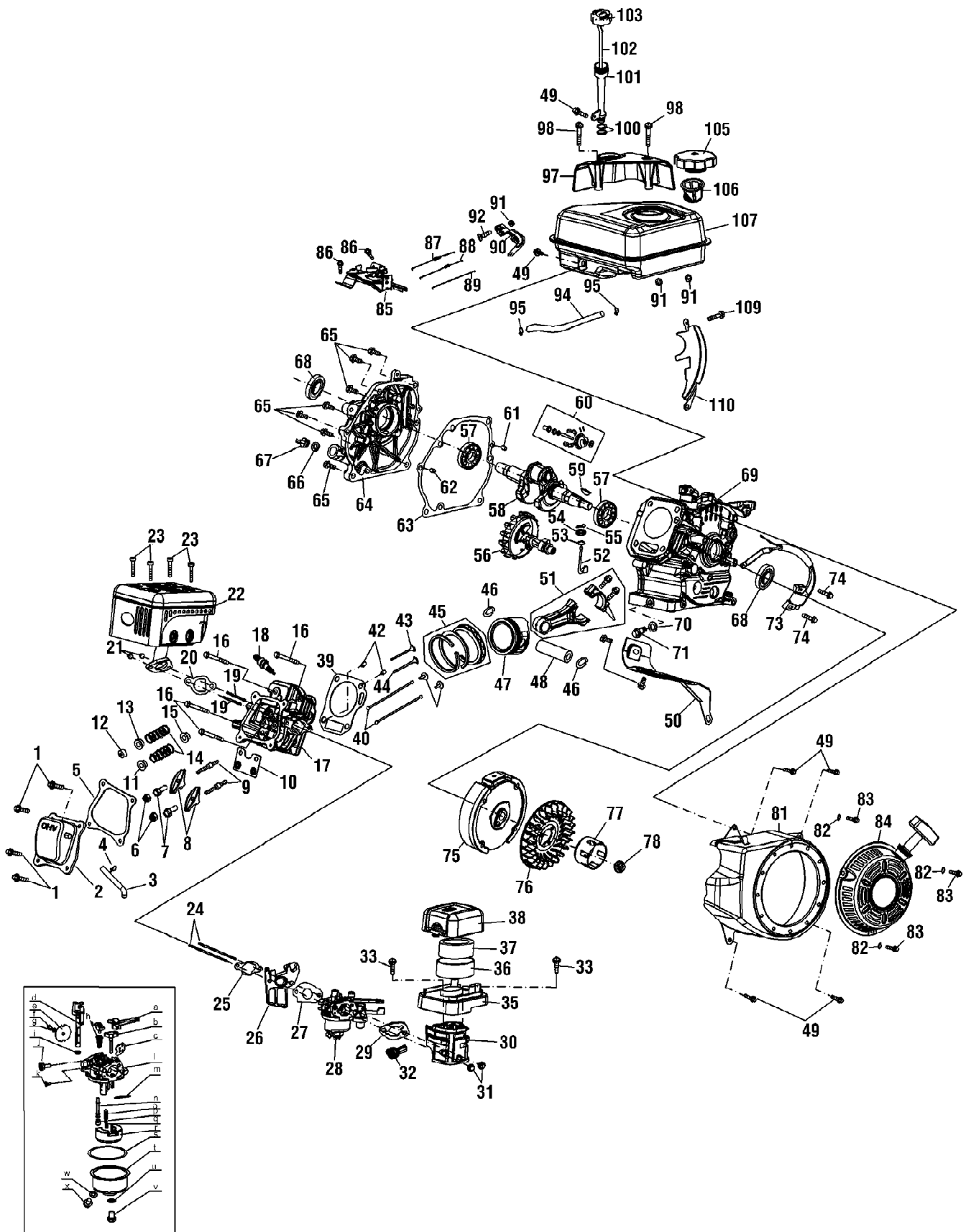


21C-64M1066 Bronco CRT Roto-Tiller (2010)
Drive System

Page 2 of 20

Ref #	Part Number	Qty	S/P/F	Description
1	684-04168	1		Idler Pulley Assembly, 1.917 OD
2	710-0151	1	/P	Hex Head Screw, 3/8-24 x 2.00
3	710-0170	1		Hex Head Screw, 5/16-24 x .625
4	710-0502A	1	/P	Screw, 3/8-16 x 1.250
5	710-0599	1	/P	Screw, 1/4-20 x 0.500
6	710-0606	1	/P	Hex Head Screw, 1/4-20 x 1.50
7	710-0672	1	/P	Hex Head Screw, 5/16-24 x 1.25
8	710-1880	1		Hex Head Screw, 5/16-18 x .75, Patch
9	721-04271	1		Oil Plug
10	712-04064	1	/P	Flangelock Nut, 1/4-20
11	712-0700	1	/P	Flange Nut, 9/16-18
12	718-04407	1		Pulley Hub, 5/8 SPLINE
13	732-04085	1	/P	Extension Spring, .480 OD x 5.00 LG
14	732-04276A	1	/P	Extension Spring, LT5 PTO
15	936-0119	1	/P	Washer, Lock, 5/16
16	736-0173	1	/P	Washer, Flat, .28 x .74 x .063
17	736-0315	1	/P	Washer, Flat, .760 x 1.50 x .120
18	736-0343	1	/P	Washer, Flat, .330 x 1.25 x .120
19	936-0452	1	/P	Washer, Bell, .396 x 1.140 x .095
20	753-06042	1	S	Transmission Assembly
21	736-3092	1	/P	Washer, Flat, .265 x 1.0 x .030
22	738-04425	1		Screw, Shoulder, 1/4-28 x .342 x .335
23	748-04087A	1	/P	Forward Idler Pivot Spacer
24	750-04571	1		Spacer, Shoulder, .260 x .785 x .538
25	750-04907	1		Reverse Idler Pivot Spacer
26	1916657	1	/P	V Belt, 4L x 25.375 LG
27	1916658	1	/P	V Belt, 3L x 29.125 LG Models with reverse
28	756-04198A	1		Engine Pulley, 3L & 4L
29	756-04355	1		Transmission Pulley
30	756-0625	1		Cable Roller
31	786-04312	1		Forward Idler Bracket
32	786-04343-0638	1		Cover Mounting Plate
33	786-04346	1		Reverse Idler Bracket
34	786-04357-0638	1		Pulley Mounting Bracket
35	786-04419-0638	1	S	LH Mount Frame
36	786-04418-0638	1	S	RH Mount Frame
37	786-04371-0638	1		Pulley Shield
38	934-04232	1	/P	Wheel, 13 x 5 x 6 21C-65M Models
38	934-04453	1	/P	Wheel Assembly, 11 x 4-4 21C-64M Models
39	714-0143A	1		Klik Pin, .25 DIA x 1.56



Ref #	Part Number	Qty	S/P/F	Description
1	710-04917	1	S	Bolt
2	951-11054A	1	/P	Valve Cover
2	951-11054A	1	/P	Valve Cover Furnish 951-11063A, Valve Cover Gasket Kit
3	731-07059	1		Breather Hose
4	726-04101	1		Breather Hose Clamp
5	951-11565	1	/P	Valve Cover Gasket
5	951-11565	1	/P	Valve Cover Gasket Furnish 951-10798A, Short Block
5	951-11565	1	/P	Valve Cover Gasket Furnish 951-11063A, Valve Cover Gasket Kit
5	951-11565	1	/P	Valve Cover Gasket Furnish 951-10799, Cylinder Head Assembly
5	951-11565	1	/P	Valve Cover Gasket Furnish 951-10819, Cylinder Head Service Kit
5	951-11565	1	/P	Valve Cover Gasket Furnish 951-10802A, Gasket Kit Complete
6	751-11124	1		Nut, Pivot Locking
7	751-11123	1		Valve Adjusting Nut
7	751-11123	2		Valve Adjusting Nut Furnish 951-10799, Cylinder Head Assembly
8	N/A	2		Rocker Arm Furnish 951-10799, Cylinder Head Assembly
9	710-04902	1		Rocker Arm Stud
9	710-04902	2		Rocker Arm Stud Furnish 951-10799, Cylinder Head Assembly
10	N/A	1		Push Rod Guide Furnish 951-10799, Cylinder Head Assembly
11	N/A	1		Valve Spring Retainer-Intake Furnish 951-10799, Cylinder Head Assembly
12	N/A	1		Exhaust Valve Adjustor Furnish 951-10799, Cylinder Head Assembly
13	N/A	1		Valve Spring Retainer-Exhaust Furnish 951-10799, Cylinder Head Assembly
14	N/A	2		Valve Spring Furnish 951-10799, Cylinder Head Assembly
15	N/A	1		Valve Seal Furnish 951-10819, Cylinder Head Service Kit
16	710-05100	1		Cylinder Head Bolt
16	710-05100	4		Cylinder Head Bolt Furnish 951-10819, Cylinder Head Service Kit
17	N/A	1		Cylinder Head Furnish 951-10799, Cylinder Head Assembly
18	951-10292	1	/P	Spark Plug
19	710-04911	1		Muffler Stud

21C-64M1066 Bronco CRT Roto-Tiller (2010)
Engine Assembly 170-T0A

Page 5 of 20

Ref #	Part Number	Qty	S/P/F	Description
19	710-04911	2		Muffler Stud Furnish 951-10657, Muffler Stud Assembly
20	N/A	1		Exhaust Pipe Gasket Furnish 951-10798A, Short Block
20	N/A	1		Exhaust Pipe Gasket Furnish 951-10799, Cylinder Head Assembly
20	N/A	1		Exhaust Pipe Gasket Furnish 951-10801A, Gasket Kit External
20	N/A	1		Exhaust Pipe Gasket Furnish 951-10802A, Gasket Kit Complete
21	712-04214	1		Nut
22	951-10793	1	/P	Muffler Assembly
23	710-05002	1		Bolt
24	710-05101	1		Carburetor Stud
25	751-11567	1	S	Carburetor Insulator Gasket
25	751-11567	1	S	Carburetor Insulator Gasket Furnish 951-10798A, Short Block
25	751-11567	1	S	Carburetor Insulator Gasket Furnish 951-10799, Cylinder Head Assembly
25	751-11567	1	S	Carburetor Insulator Gasket Furnish 951-10801A, Gasket Kit External
25	751-11567	1	S	Carburetor Insulator Gasket Furnish 951-10802A, Gasket Kit Complete
26	951-11568	1	/P	Carburetor Insulator
26	951-11568	1	/P	Carburetor Insulator Furnish 951-10798A, Short Block
26	951-11568	1	/P	Carburetor Insulator Furnish 951-10799, Cylinder Head Assembly
26	951-11568	1	/P	Carburetor Insulator Furnish 951-10802A, Gasket Kit Complete
27	951-11569	1	/P	Carburetor Gasket
27	951-11569	1	/P	Carburetor Gasket Furnish 951-10801A, Gasket Kit External
27	951-11569	1	/P	Carburetor Gasket Furnish 951-10802A, Gasket Kit Complete
28	951-10797	1	/P	Carburetor Assembly (Incl. Ref No. a-x)
29	951-11571	1	/P	Carburetor Gasket Plate
29	951-11571	1	/P	Carburetor Gasket Plate Furnish 951-10798A, Short Block
29	951-11571	1	/P	Carburetor Gasket Plate Furnish 951-10802A, Gasket Kit Complete
30	951-10806	1	/P	Air Cleaner Housing
31	712-04213	1	/P	Nut
32	951-11067	1	/P	Throttle Control Knob
33	710-05102	1		Self-Tapping Bolt

Ref #	Part Number	Qty	S/P/F	Description
35	N/A	1		Lower Housing Furnish 951-10818, Air Cleaner Housing Assembly
36	N/A	1		Air Cleaner Foam Wrap Furnish 951-10794, Air Cleaner
37	N/A	1		Air Cleaner Element Furnish 951-10794, Air Cleaner
38	N/A	1		Upper Housing Furnish 951-10818, Air Cleaner Housing Assembly
39	951-11572	1	/P	Cylinder Head Gasket
39	951-11572	1	/P	Cylinder Head Gasket Furnish 951-10798A, Short Block
39	951-11572	1	/P	Cylinder Head Gasket Furnish 951-10799, Cylinder Head Assembly
39	951-11572	1	/P	Cylinder Head Gasket Furnish 951-10819, Cylinder Head Service Kit
39	951-11572	1	/P	Cylinder Head Gasket Furnish 951-10802A, Gasket Kit Complete
40	951-10648	1	/P	Push Rod Kit
41	N/A	2		Valve Lifter Furnish 951-10798A, Short Block
42	715-04090	1		Dowel Pin
42	715-04090	2		Dowel Pin Furnish 951-10799, Cylinder Head Assembly
43	N/A	1		Exhaust Valve Furnish 951-10799, Cylinder Head Assembly
43	N/A	1		Exhaust Valve Furnish 951-10647, Valve Kit
44	N/A	1		Intake Valve Furnish 951-10799, Cylinder Head Assembly
44	N/A	1		Intake Valve Furnish 951-10647, Valve Kit
45	951-11253	1	/P	Piston Ring Set
45	951-11253	1	/P	Piston Ring Set Furnish 951-10798A, Short Block
46	N/A	2		Piston Pin Clip Furnish 951-10798A, Short Block
47	N/A	1		Piston Furnish 951-10798A, Short Block
48	N/A	1		Piston Pin Furnish 951-10798A, Short Block
49	710-04915	1		Bolt
50	951-11113	1	/P	Air Shield
51	951-11573	1	/P	Connecting Rod Assembly
51	951-11573	1	/P	Connecting Rod Assembly Furnish 951-10798A, Short Block
52	951-11356	1	/P	Governor Arm Shaft
52	951-11356	1	/P	Governor Arm Shaft Furnish 951-10798A, Short Block
52	951-11356	1	/P	Governor Arm Shaft Furnish 951-11588, Crankcase Kit

Ref #	Part Number	Qty	S/P/F	Description
53	736-04461	1		Governor Shaft O-Ring
53	736-04461	1		Governor Shaft O-Ring Furnish 951-10798A, Short Block
53	736-04461	1		Governor Shaft O-Ring Furnish 951-11588, Crankcase Kit
53	736-04461	1		Governor Shaft O-Ring Furnish 951-10802A, Gasket Kit Complete
54	951-11574	1	/P	Governor Seal
54	951-11574	1	/P	Governor Seal Furnish 951-10798A, Short Block
54	951-11574	1	/P	Governor Seal Furnish 951-11588, Crankcase Kit
55	714-04078	1		Cotter Pin
55	714-04078	1		Cotter Pin Furnish 951-10798A, Short Block
55	714-04078	1		Cotter Pin Furnish 951-11588, Crankcase Kit
56	951-11575	1	/P	Camshaft Assembly
56	951-11575	1	/P	Camshaft Assembly Furnish 951-10798A, Short Block
57	951-11369	1	/P	Radial Ball Bearing
57	951-11369	2	/P	Radial Ball Bearing Furnish 951-10798A, Short Block
57	951-11369	2	/P	Radial Ball Bearing Furnish 951-11587 Crankshaft Kit
57	951-11369	1	/P	Radial Ball Bearing Furnish 951-11586, Crankcase Cover Kit
57	951-11369	1	/P	Radial Ball Bearing Furnish 951-11588, Crankcase Kit
58	N/A	1		Crankshaft Assembly Furnish 951-10798A, Short Block
58	N/A	1		Crankshaft Assembly Furnish 951-11587 Crankshaft Kit
59	951-10307	1	/P	Flywheel Key
59	951-10307	1	/P	Flywheel Key Furnish 951-11587 Crankshaft Kit
60	951-11576	1	/P	Governor Assembly
60	951-11576	1	/P	Governor Assembly Furnish 951-10798A, Short Block
61	715-04092	1		Dowel Pin, 7 x 14
61	715-04092	1		Dowel Pin, 7 x 14 Furnish 951-10798A, Short Block
62	715-04089	1		Dowel Pin, 9 x 14
62	715-04089	1		Dowel Pin, 9 x 14 Furnish 951-10798A, Short Block
63	951-11371	1	/P	Crankcase Cover Gasket

Ref #	Part Number	Qty	S/P/F	Description
63	951-11371	1	/P	Crankcase Cover Gasket Furnish 951-10798A, Short Block
63	951-11371	1	/P	Crankcase Cover Gasket Furnish 951-11587 Crankshaft Kit
63	951-11371	1	/P	Crankcase Cover Gasket Furnish 951-11586, Crankcase Cover Kit
63	951-11371	1	/P	Crankcase Cover Gasket Furnish 951-10802A, Gasket Kit Complete
64	N/A	1		Crankcase Cover Furnish 951-10798A, Short Block
64	N/A	1		Crankcase Cover Furnish 951-11586, Crankcase Cover Kit
65	710-04932	1		Bolt
65	710-04932	7		Bolt Furnish 951-10798A, Short Block
65	710-04932	7		Bolt Furnish 951-11586, Crankcase Cover Kit
66	951-11577	1	/P	O-Ring
66	951-11577	1	/P	O-Ring Furnish 951-10798A, Short Block
66	951-11577	1	/P	O-Ring Furnish 951-10801A, Gasket Kit External
66	951-11577	1	/P	O-Ring Furnish 951-10669, Oil Fill Plug Assembly
66	951-11577	1	/P	O-Ring Furnish 951-10802A, Gasket Kit Complete
67	N/A	1		Oil Filler Plug Furnish 951-10798A, Short Block
67	N/A	1		Oil Filler Plug Furnish 951-10669, Oil Fill Plug Assembly
68	951-11578	1	/P	Oil Seal
68	951-11578	2	/P	Oil Seal Furnish 951-10798A, Short Block
68	951-11578	2	/P	Oil Seal Furnish 951-11587 Crankshaft Kit
68	951-11578	1	/P	Oil Seal Furnish 951-11586, Crankcase Cover Kit
68	951-11578	1	/P	Oil Seal Furnish 951-11588, Crankcase Kit
68	951-11578	2	/P	Oil Seal Furnish 951-10802A, Gasket Kit Complete
69	N/A	1		Crankcase Complete Furnish 951-10798A, Short Block
69	N/A	1		Crankcase Complete Furnish 951-11588, Crankcase Kit
70	736-04440	1	/P	Oil Drain Plug Washer
70	736-04440	2	/P	Oil Drain Plug Washer Furnish 951-10798A, Short Block
70	736-04440	1	/P	Oil Drain Plug Washer Furnish 951-10801A, Gasket Kit External

21C-64M1066 Bronco CRT Roto-Tiller (2010)
Engine Assembly 170-T0A

Page 9 of 20

Ref #	Part Number	Qty	S/P/F	Description
70	736-04440	1	/P	Oil Drain Plug Washer Furnish 951-10802A, Gasket Kit Complete
71	710-04906	1		Oil Drain Plug
71	710-04906	2		Oil Drain Plug Furnish 951-10798A, Short Block
73	951-10792	1	/P	Ignition Coil
74	710-04919	1	/P	Bolt
75	951-10805	1	/P	Flywheel
76	951-10934	1	/P	Cooling Fan
77	951-10911	1	/P	Starter Cup
78	712-04209	1	/P	Nut
81	951-11583	1	/P	Blower Housing
82	736-04455	1		Washer
83	710-04914	1		Bolt
84	951-10790	1	/P	Recoil Starter Assembly
85	951-11584	1	/P	Primer Bracket
86	710-05103	1		Bolt
87	951-11585	1	/P	Governor Spring
88	951-10664	1	/P	Throttle Linkage Spring
89	951-10665	1	/P	Throttle Linkage
90	951-11106	1	/P	Governor Arm
91	712-04212	1	/P	Nut
92	710-04908	1		Governor Arm Bolt
94	N/A	1		Fuel Hose Furnish 951-10650, Fuel Line Kit
95	N/A	2		Hose Clamp Furnish 951-10650, Fuel Line Kit
97	951-10662	1	/P	Engine/Dipstick Cover
98	710-04905	1		Bolt
100	951-11380	1	/P	O-Ring
101	951-10656	1	/P	Dipstick Tube
102	N/A	1		Dipstick Gauge Furnish 951-10655, Dipstick Assembly
103	N/A	1		Dipstick Cap Furnish 951-10655, Dipstick Assembly
105	951-10917	1	/P	Fuel Cap (Incl. Gasket & Retainer)
106	951-10652	1	/P	Fuel Filter For Tank
107	951-10796	1	/P	Fuel Tank
109	710-04918	1		Bolt
110	951-11109	1	/P	Blower Housing Shield
a	951-11177	1	/P	Choke Control Lever
a	951-11177	1	/P	Choke Control Lever Furnish 951-10797, Carburetor Assembly
a	951-11177	1	/P	Choke Control Lever Furnish 951-10800A, Carburetor Kit Major
b	N/A	1		Choke Shaft Furnish 951-10797, Carburetor Assembly
c	N/A	1		Choke Plate Furnish 951-10797, Carburetor Assembly

Ref #	Part Number	Qty	S/P/F	Description
d	N/A	1		Throttle Shaft Furnish 951-10797, Carburetor Assembly
e	N/A	1		Throttle Plate Furnish 951-10797, Carburetor Assembly
f	N/A	1		Screw Furnish 951-10797, Carburetor Assembly
g	N/A	1		Lock Washer Furnish 951-10797, Carburetor Assembly
h	N/A	1		Idle Jet Assembly Furnish 951-10797, Carburetor Assembly
h	N/A	1		Idle Jet Assembly Furnish 951-10800A, Carburetor Kit Major
i	N/A	1		Throttle Plate Gasket Furnish 951-10797, Carburetor Assembly
i	N/A	1		Throttle Plate Gasket Furnish 951-10800A, Carburetor Kit Major
j	N/A	1		Idle Speed Adjusting Screw Furnish 951-10797, Carburetor Assembly
j	N/A	1		Idle Speed Adjusting Screw Furnish 951-10800A, Carburetor Kit Major
k	N/A	1		Mixture Screw Furnish 951-10797, Carburetor Assembly
l	N/A	1		Carburetor Body Furnish 951-10797, Carburetor Assembly
m	N/A	1		Float Pin Furnish 951-10797, Carburetor Assembly
m	N/A	1		Float Pin Furnish 951-10800A, Carburetor Kit Major
n	N/A	1		Main Nozzle Furnish 951-10797, Carburetor Assembly
n	N/A	1		Main Nozzle Furnish 951-10800A, Carburetor Kit Major
o	N/A	1		Needle Valve (Float) Furnish 951-10797, Carburetor Assembly
o	N/A	1		Needle Valve (Float) Furnish 951-10800A, Carburetor Kit Major
p	N/A	1		Main Jet Furnish 951-10797, Carburetor Assembly
p	N/A	1		Main Jet Furnish 951-10800A, Carburetor Kit Major
q	N/A	1		Needle Valve Spring Furnish 951-10797, Carburetor Assembly

21C-64M1066 Bronco CRT Roto-Tiller (2010)
Engine Assembly 170-T0A

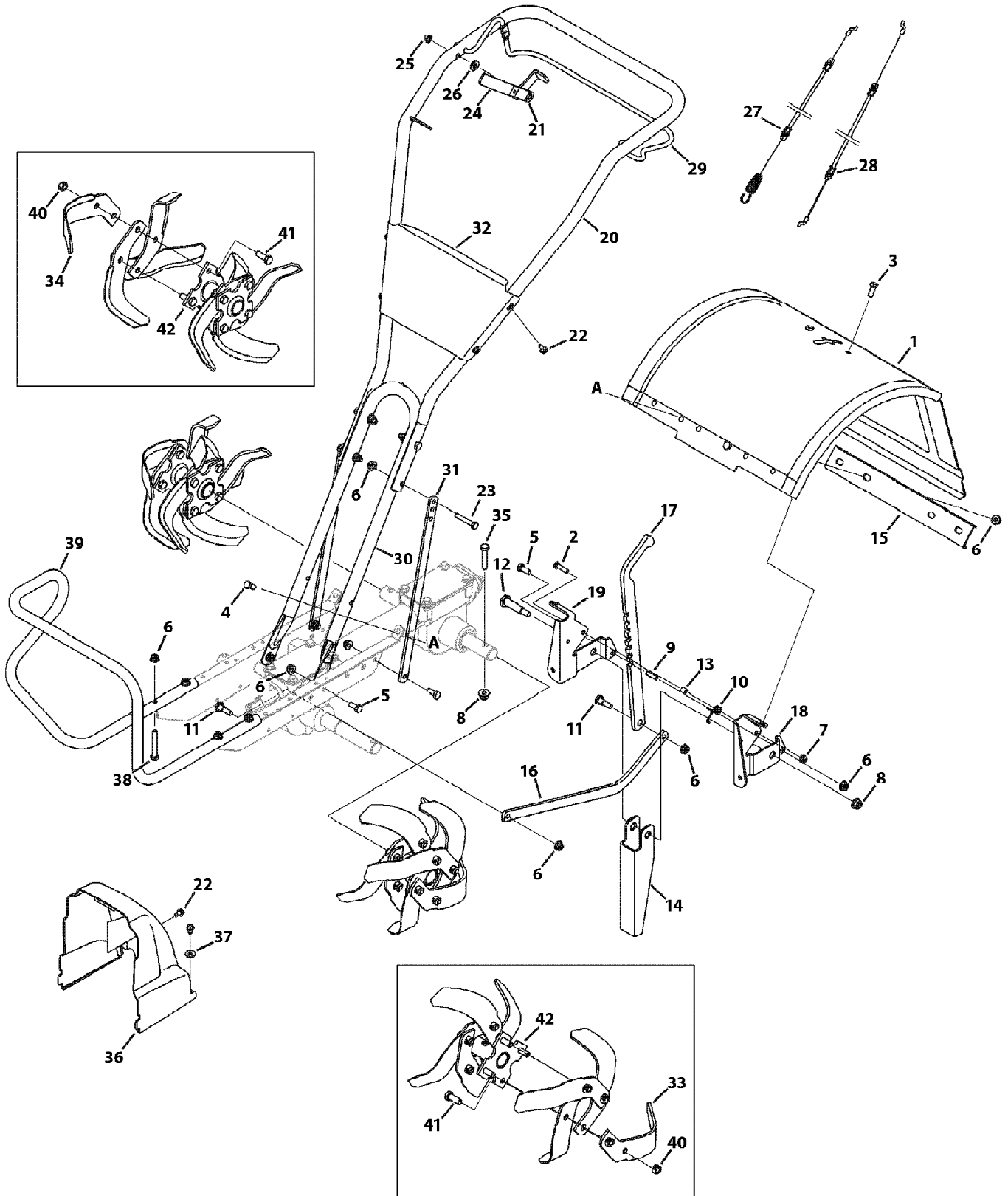
Page 11 of 20

Ref #	Part Number	Qty	S/P/F	Description
q	N/A	1		Needle Valve Spring Furnish 951-10800A, Carburetor Kit Major
r	N/A	1		Float Furnish 951-10797, Carburetor Assembly
r	N/A	1		Float Furnish 951-10800A, Carburetor Kit Major
s	951-11589	1	/P	Fuel Bowl Gasket
s	951-11589	1	/P	Fuel Bowl Gasket Furnish 951-10797, Carburetor Assembly
s	951-11589	1	/P	Fuel Bowl Gasket Furnish 951-10800A, Carburetor Kit Major
t	N/A	1		Fuel Bowl Furnish 951-10797, Carburetor Assembly
u	710-04904	1		Fuel Bowl Bolt Gasket
u	710-04904	1		Fuel Bowl Bolt Gasket Furnish 951-10797, Carburetor Assembly
u	710-04904	1		Fuel Bowl Bolt Gasket Furnish 951-10800A, Carburetor Kit Major
v	710-04945	1		Fuel Bowl Mounting Bolt
v	710-04945	1		Fuel Bowl Mounting Bolt Furnish 951-10797, Carburetor Assembly
w	951-11349	1	/P	Fuel Drain Plug Gasket
w	951-11349	1	/P	Fuel Drain Plug Gasket Furnish 951-10797, Carburetor Assembly
w	951-11349	1	/P	Fuel Drain Plug Gasket Furnish 951-10800A, Carburetor Kit Major
x	710-04903	1	S	Fuel Drain Bolt
x	710-04903	1	S	Fuel Drain Bolt Furnish 951-10797, Carburetor Assembly
	951-10829	1	/P	Spark Arrestor Not Shown
	951-10651	1	/P	Fuel Tank Nipple Not Shown
	951-10798A	1	/P	Short Block Not Shown (Incl. Ref No. 5, 20, 25, 26, 29, 39, 41, 45-48, 51-58, 60-71)
	951-11587	1	/P	Crankshaft Kit Not Shown (Incl. Ref No. 57-59, 63, 68)
	951-11063A	1	/P	Valve Cover Gasket Kit Not Shown (Incl. Ref No. 2, 5)
	951-10799	1	/P	Cylinder Head Assembly Not Shown (Incl. Ref No. 5, 7-14, 17,20, 25, 26, 39, 42-44)
	951-11586	1	/P	Crankcase Cover Kit Not Shown (Incl. Ref No. 57, 63-65, 68)
	951-11588	1	/P	Crankcase Kit Not Shown (Incl. Ref No. 52-55, 57, 68, 69)

21C-64M1066 Bronco CRT Roto-Tiller (2010)
Engine Assembly 170-T0A

Page 12 of 20

Ref #	Part Number	Qty	S/P/F	Description
	951-10801A	1	/P	Gasket Kit - External Not Shown (Incl. Ref No. 20, 25, 27, 66, 70)
	951-10818	1	/P	Air Cleaner Housing Assembly Not Shown (Incl. Ref No. 35, 38)
	951-10800A	1	/P	Carburetor Repair Kit - Major Not Shown (Incl. Ref No. a, h-j, m-s, u, w)
	951-10647	1	/P	Valve Kit Not Shown (Incl. Ref No. 43, 44)
	951-10655	1	/P	Dipstick Assembly Not Shown (Incl. Ref No. 102, 103)
	951-10669	1	/P	Oil Fill Plug Assembly Not Shown (Incl. Ref No. 66, 67)
	951-10650	1	/P	Fuel Line Kit Not Shown (Incl. Ref No. 94, 95)
	951-10657	1	/P	Muffler Stud Assembly Not Shown (Incl. Ref No. 19)
	951-10819	1	/P	Cylinder Head Service Kit Not Shown (Incl. Ref No. 5, 15, 16, 39)
	951-10794	1	/P	Air Cleaner Not Shown (Incl. Ref No. 36, 37)
	951-10802A	1	/P	Gasket Kit - Complete Not Shown (Incl. Ref No. 5, 20, 25-27, 29, 39, 53, 63, 66, 68, 70)
	951-10826	1	/P	Recoil Spring & Pulley Assembly Not Shown (Incl. Pulley & Spring)
		1		Starter Pulley Not Shown, Furnish 951-10826, Recoil Spring & Pulley Assembly
		1		Recoil Spring Not Shown, Furnish 951-10826, Recoil Spring & Pulley Assembly
		1		Gasket & Retainer, Fuel Cap Not Shown, Furnish 951-10917, Fuel Cap
	952Z170-T0A	1	/P	Complete Engine Not Shown



21C-64M1066 Bronco CRT Roto-Tiller (2010)
Handle, Tine & Shield

Page 14 of 20

Ref #	Part Number	Qty	S/P/F	Description
1	686-04077-0638	1	/P	Tine Shield Assembly 21C-65M Models
1	686-04076-0638	1	/P	Tine Shield Assembly 21C-64M Models
2	710-0597	1	/P	Hex Head Screw, 1/4-20 x 1.00
3	710-0604A	1	/P	Screw, 5/16-18 x 0.625
4	710-1238	1	/P	Hex Head Washer, 5/16-18 x .875
5	710-3008	1	/P	Hex Head Screw, 5/16-18 x .75
6	712-04063	1	/P	Flangelock Nut, 5/16-18
7	712-04064	1	/P	Flangelock Nut, 1/4-20
8	712-04065	1	/P	Flangelock Nut, 3/8-16
9	715-0108	1	/P	Spring Pin, 1/4 DIA x 1.00 LG
10	732-04320	1	/P	Torsion Spring
11	738-04320	1		Screw, Shoulder, 5/16-18 x .405 x .435
12	938-0533	1	/P	Screw, Shoulder, \$r .498 x 1.635
13	750-05349	1		Spacer, Split, .350 x .268 x .375
14	786-04092-0638	1		Stop Reverse Arm
15	786-04098-0638	1		Support Channel Bracket
16	786-04104-0638	1	/P	Depth Drag Bar
17	786-04292-0638	1	/P	Depth Adjuster Bar
18	786-04363-0638	1		LH Tail Bracket
19	786-04364-0638	1		RH Tail Bracket
20	649-04066-0638	1	/P	Upper Handle Assembly
21	686-04098-0638	1		Reverse Handle Assembly 21C-65M Models
22	710-0599	1	/P	Screw, 1/4-20 x 0.500
23	710-0805	1	/P	Hex Head Screw, 5/16-18 x 1.50
24	720-0270A	1		Reverse Handle Grip 21C-65M Models
25	726-0135	1	/P	Speed Nut, Cap, .3125 DIA. 21C-65M Models
26	936-3008	1	/P	Flat Washer, .344 x .750 x .120 21C-65M Models
27	746-04413	1		Forward Cable
28	746-04414	1	S	Reverse Cable 21C-65M Models
29	747-04789-0637	1	/P	Clutch Bail
30	749-04208-0638	1	/P	Lower Handle
31	786-04188-0638	1	/P	Support Handle Bracket
32	786-04200-0638	1	/P	Handle Panel
33	742-04226-0637	1	/P	LH Bolo Tine
34	742-04227-0637	1	/P	RH Bolo Tine
35	710-0347	1	/P	Hex Head Screw, 3/8-16 x 1.75
36	731-06170	1		Belt Cover
37	736-0173	1	/P	Washer, Flat, .28 x .74 x .063
38	710-0395	1	/P	Hex Head Screw, 5/16-18 x 2.25 21C-65M Models
39	749-04193-0637	1	/P	Bumper 21C-65M Models
40	912-3000	1	/P	Nut, Hexlock, 3/8-16
41	710-0514	1	/P	Hex Head Screw, 3/8-16 x 1.00
42	686-04065-0637	1	/P	Tine Holder Assembly 21C-65M Models
42	686-04066-0638	1	/P	Tine Holder Assembly

777I22441

CONTROL OPERATING INSTRUCTIONS
1. READ THE OPERATOR'S MANUAL(S) For starting and operating instructions.
2. IMPORTANT: Set depth wheels to proper tilling depth (depth at shallow/transport position).
3. IMPORTANT: Lock wheels in drive position by inserting pin through wheel nut and axle, secure with nut and cotter pin.
4. Pull ball up against handle to engage wheel and tines.
5. To stop tines and wheels, release ball.
6. FOR UNITS EQUIPPED WITH POWER REVERSE, Pull reverse control lever to engage reverse wheel and tines in reverse. Release handle to disengage.

777X43244



Model Plate

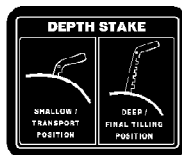
Model Plate

Tine Shield

777S33475



777I22616



777I20937



777D11091



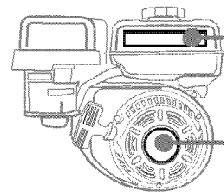
777D12126

Above Spinner On Top Ledge



777I20358
Place On Top Of
Air Cleaner

WHEN STARTING ENGINE
PLACE FREE HAND HERE



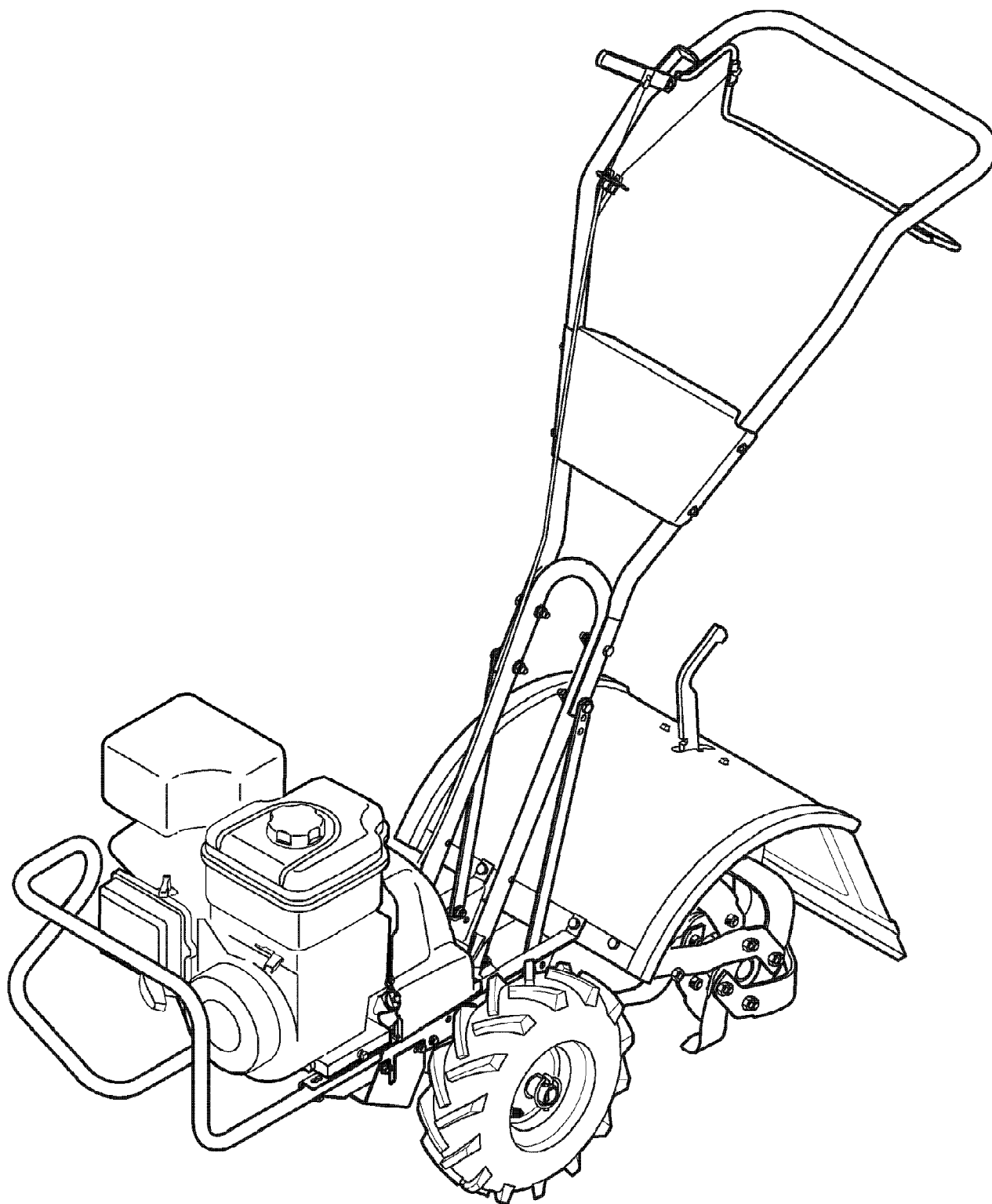
777D12127
On Engine Spinner



21C-64M1066 Bronco CRT Roto-Tiller (2010)
Label Map Bronco

Page 16 of 20

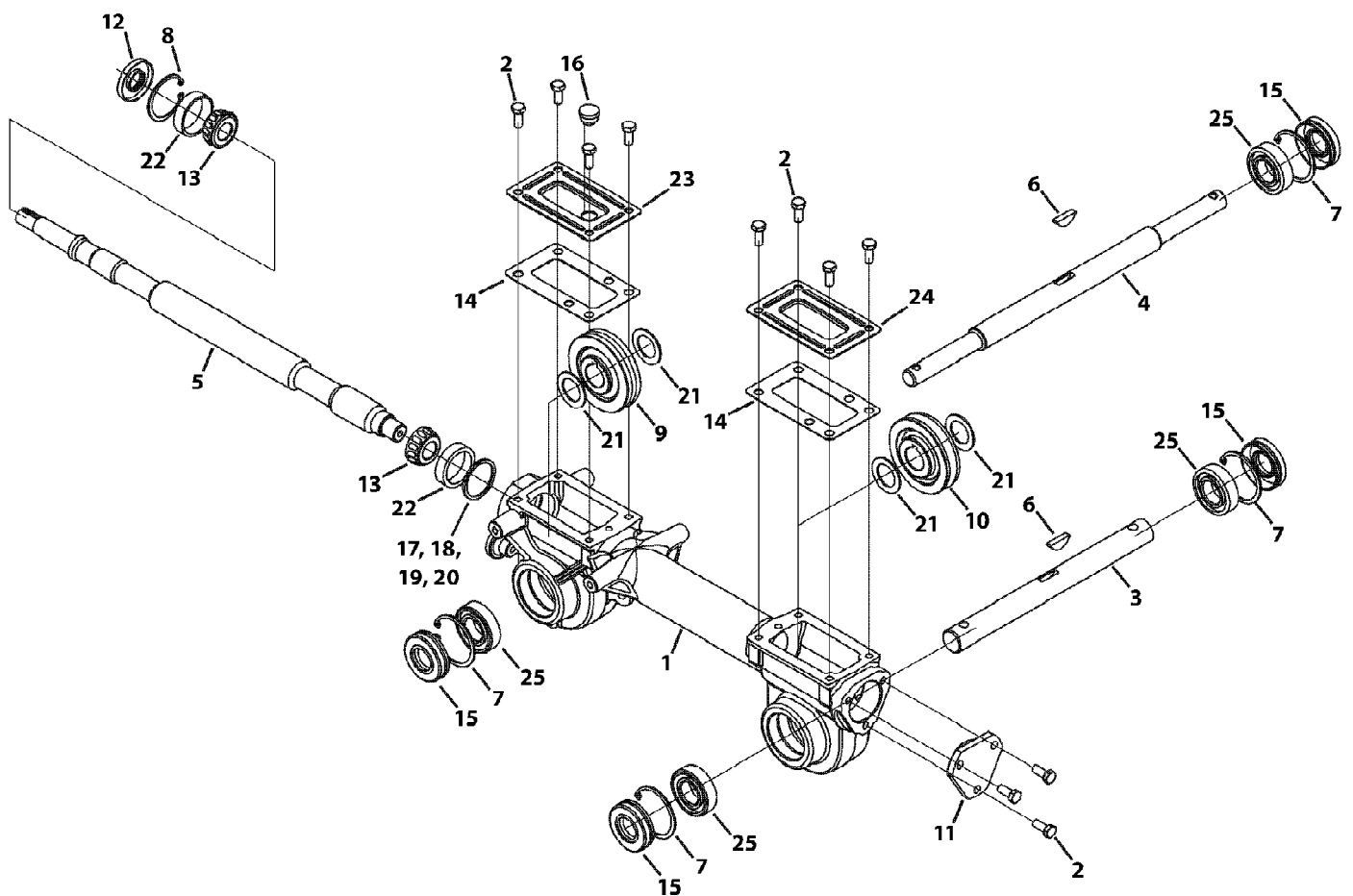
Ref #	Part Number	Qty	S/P/F	Description
777I20937	777I20937	1		LABEL-BAIL CONTROL
777D11091	777D11091	1		LABEL-TILLER HANDLE BRONCO CRT
777I20358	777I20358	1		LABEL-PLACE HAND HERE
777D12127	777D12127	1		LABEL-TILLER MTD ENGINE
777D12126	777D12126	1		LABEL-TILLER MTD ENGINE TROY
777I22616	777I22616	1		LABEL-TILLER TINE SHIELD DEPTH
777S33475	777S33475	1		LABEL-TLR:TN/SHLD:WRNG
777X43244	777X43244	1		LABEL-LOWE'S SERVICE ADVANTAGE
777I22441	777I22441	1		LABEL-HNDL PNL INS



21C-64M1066 Bronco CRT Roto-Tiller (2010)
Quick Reference

Page 18 of 20

Ref #	Part Number	Qty	S/P/F	Description
	951-10292	1	/P	Spark Plug
	951-10794	1	/P	Pre Filter
	951-10794	1	/P	Air Filter
	951-10652	1	/P	Fuel Filter
	951-10917	1	/P	Fuel Cap
	1916657	1	/P	Drive Belt - FWD
	1916658	1	/P	Drive Belt - REV
	684-04168	1		Idler Pulley
	746-04413	1		Clutch Cable - FWD
	746-04414	1	S	Clutch Cable - REV
	742-04226-0637	1	/P	LH Bolo Tine
	742-04227-0637	1	/P	RH Bolo Tine
	934-04232	1	/P	Wheel, 13 x 5 x 6
	934-04453	1	/P	Wheel Assembly, 11 x 4-4
	N/A	1		Foam Grip
	N/A	1		Shift Control Knob
	N/A	1		Handle Knob



21C-64M1066 Bronco CRT Roto-Tiller (2010)
Transmission

Page 20 of 20

Ref #	Part Number	Qty	S/P/F	Description
1	919-04202B	1	/P	Transmission Housing
2	710-3008	1	/P	Hex Head Screw, 5/16-18 x .75
3	911-04844	1	/P	Tiller Shaft
4	911-04854	1	/P	Wheel Shaft
5	711-05035	1		CRT Drive Shaft
6	714-04059	1	/P	Key, .25 x 1.062
7	716-0204	1		Retainer Ring
8	716-04102	1	/P	Retainer Ring
9	917-04380	1	/P	RH Gear Worm, 61T
10	917-04381	1	/P	LH Gear Worm, 30T
11	918-04435	1	/P	Bearing Cover
12	921-04030	1	/P	Oil Seal, .750 SHF x 1.783 BORE
13	941-04298	1	/P	Cone Bearing
14	921-04229	1	/P	Gear Housing Gasket
15	721-04232	1		Oil Seal, 1.00 SHF x 2.00 BORE
16	721-04271	1		Rubber Oil Plug
17	736-04305	1	/P	Washer, Flat, 1.50 x 1.75 x .062
18	736-04306	1	/P	Washer, Flat, 1.50 x 1.75 x .005
19	736-04307	1	/P	Washer, Flat, 1.50 x 1.75 x .03
20	736-04308	1	/P	Washer, Flat, 1.50 x 1.75 x .010
21	736-0745	1	/P	Washer, Flat, 1.010 x 1.56 x .060
22	941-04299	1	/P	Cup Bearing
23	786-04366	1		Tiller Transmission Cover
24	786-04392	1		Tiller Transmission Cover
25	741-3114	1		Ball Bearing, 1 x 52 x 15 x 6205-1