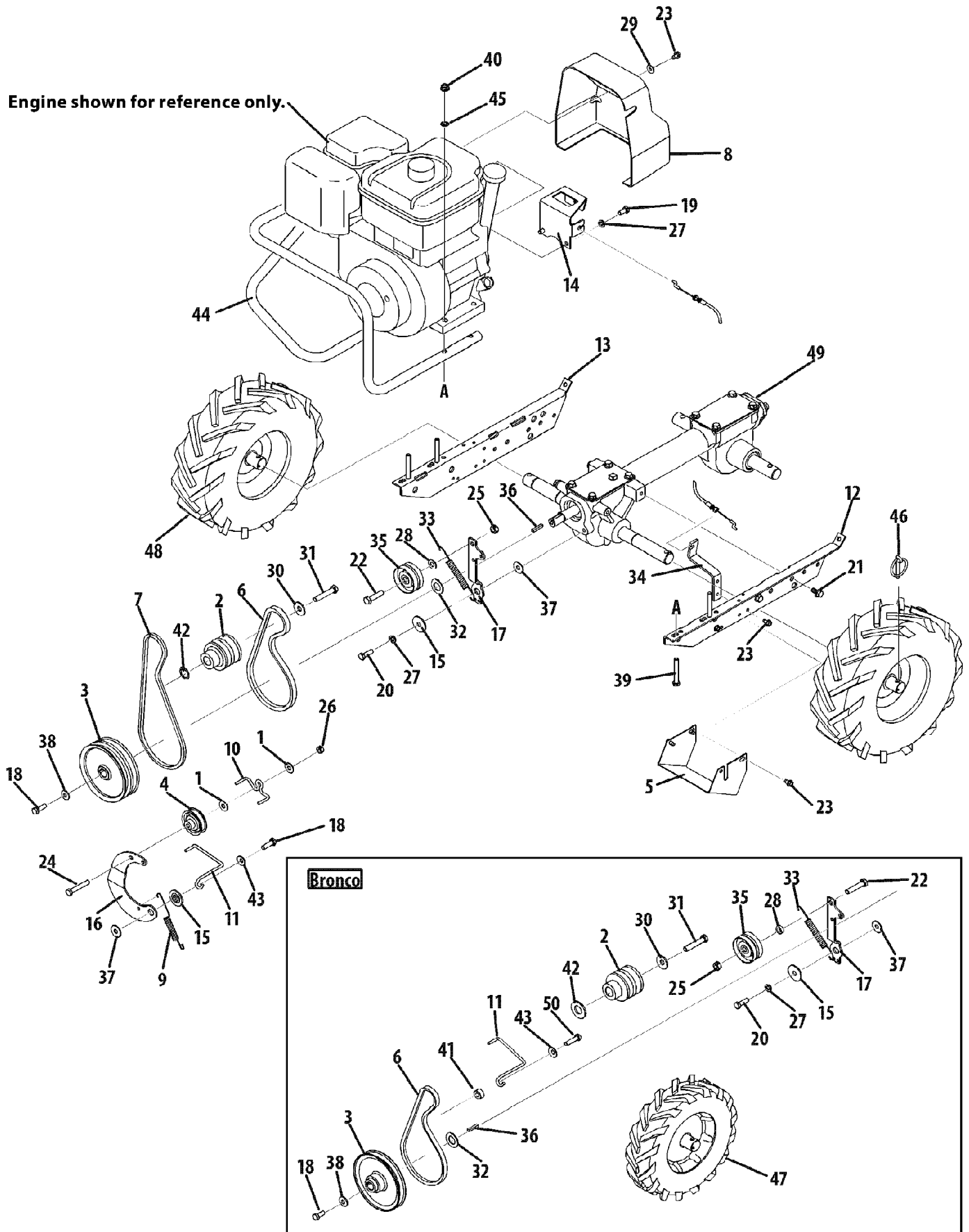


21A-64M1066 Bronco CRT Roto-Tiller (2008)  
Drive System

Engine shown for reference only.



21A-64M1066 Bronco CRT Roto-Tiller (2008)  
Drive System

Page 2 of 16

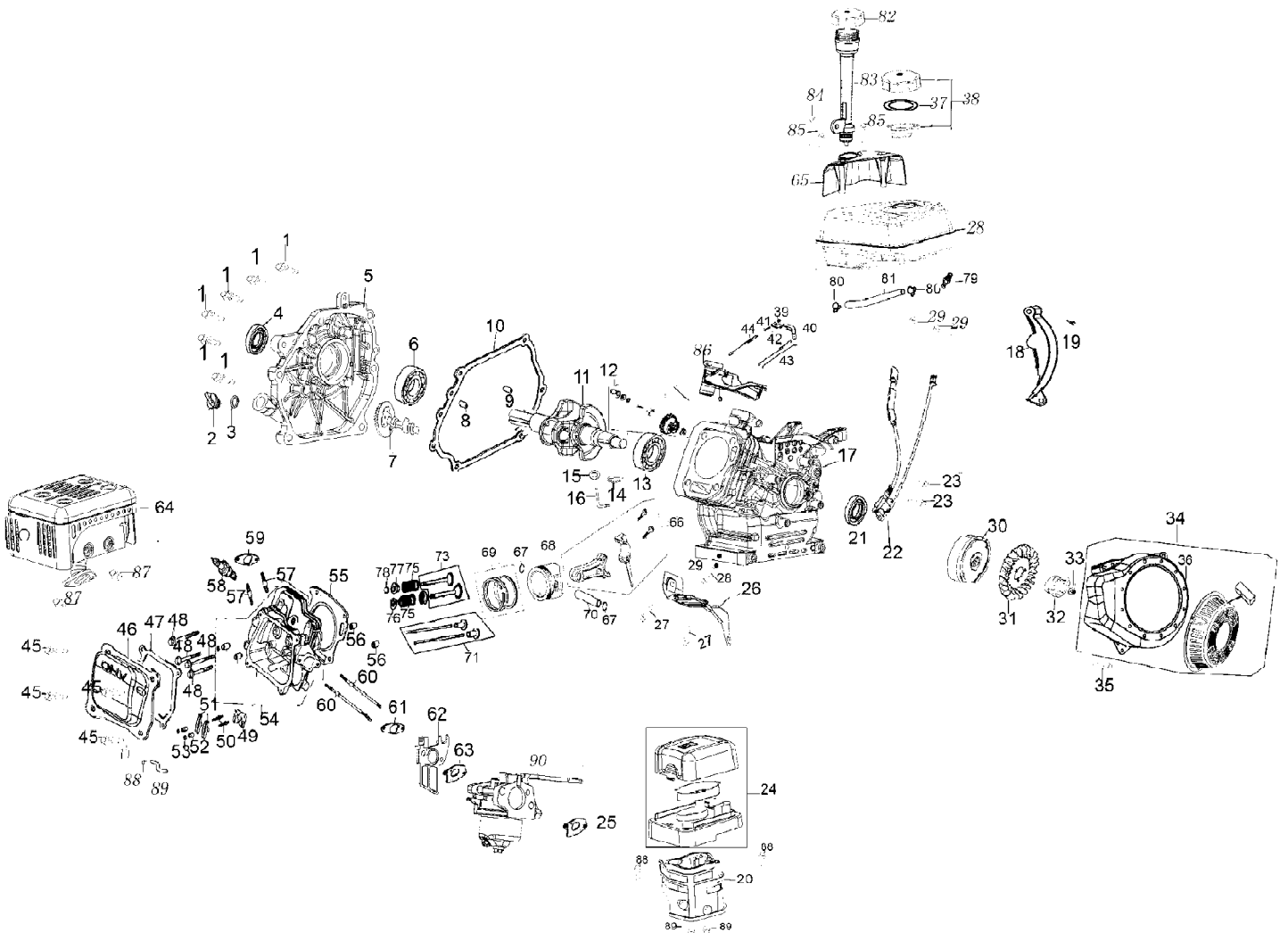
Ref #	Part Number	Qty	S/P/F	Description
1	736-0159	1	S	Flat Washer, 5/16
2	756-04198	1	S	Engine Drive Pulley
3	656-04023A	1		Transmission Pulley Bronco
3	656-04005A	1	/P	Transmission Pulley Super Bronco
4	756-04169	1	S	Reverse Idler Pulley Super Bronco
5	786-04095	1	S	Belts/Pulleys Guard
6	754-04090	1	S	Forward Drive Belt
7	754-04091	1	S	Reverse Drive Belt Super Bronco
8	731-05268	1	/P	Belt Cover
9	732-04289	1	S	Reverse Return Spring Super Bronco
10	732-04081	1	/P	Belt Guide Super Bronco
11	732-04079	1	S	Belt Guide
12	786-04068	1	/P	Engine Bracket Left
13	786-04069	1		Engine Bracket Right
14	786-04070	1	S	Belt Cover Bracket
15	748-04087	1	S	Shoulder Washer
16	786-04276	1	/P	Reverse Idler Arm Super Bronco
17	786-04275	1	S	Forward Idler Lever
18	710-0117	1	S	Hex Head Screw, 5/16-24 x 1
19	710-0237	1	/P	Hex Head Screw, 5/16-24 x 5/8
20	710-0376	1	/P	Hex Head Screw, 5/16-18 x 1
21	710-04049	1	/P	Hex Head Screw, 5/16-18 x 5/8
22	710-0347	1	/P	Hex Head Screw, 3/8 -16 x 1-3/4 Bronco
22	710-0520	1	/P	Hex Head Screw, 3/8-16 x 1.50 Super Bronco
23	710-0599	1	/P	Self-Tapping Screw, 1/4-20 x 1/2
24	710-3103	1	/P	Hex Head Screw, 5/16-18 x 2 Super Bronco
25	712-3000	1	S	Lock Nut, 3/8 -16
26	712-3009	1	S	Lock Nut, 5/16-18 Super Bronco
27	736-0119	1	S	Lock Washer, 5/16 Bronco
28	750-0535	1	S	Spacer, .380 ID x .625 OD x .21 Bronco
28	736-3050	1	/P	Flat Washer, .406 x .812 x .051 Super Bronco
29	736-3090	1	/P	Flat Washer, .260 x .720 x .060
30	736-0452	1	S	Bell Washer, .396 x 1.140 x .095
31	710-0459A	1	/P	Hex Head Screw, 3/8 -24 x 1.50
32	736-04181	1	S	Support Washer, .690 x 1.250 x .075
33	732-04085	1	/P	Forward Return Spring
34	786-04107	1		Cable Mounting Bracket
35	756-04170	1	/P	Forward Idler Pulley
36	714-0105	1	S	Key, 3/16" x 1"
37	736-3078	1	/P	Flat Washer, .344 x 1.00 x .063
38	736-04193	1	/P	Belleville Washer, .827 x .331 x .098
39	710-0805	1	/P	Hex Screw, 5/16-18 x 1.50
40	712-04063	1	/P	Hex Lock Nut, 5/16-18
41	750-0258	1	/P	Shlder Spacer, .315 x .750 x .375 Bronco
42	736-0315	1	/P	Flat Washer, .75 x 1.5 x .125 Bronco
42	736-04192	1	/P	Flat Washer, .786 x 1.000 x .031 Super Bronco
43	736-0242	1	/P	Bell Washer, .340 x .872 x .060
46	714-0143	1	S	Klik Pin
47	734-04188	1		Complete Wheel Ass., 10 x 2.75 Bronco

21A-64M1066 Bronco CRT Roto-Tiller (2008)  
Drive System

Page 3 of 16

Ref #	Part Number	Qty	S/P/F	Description
48	634-04232	1	S	Complete Whl. Ass., 13 x 5 x 6 Super Bronco
48	N/A	1		Rim Assembly
48	734-0255	1	S	Valve
48	734-04163	1	S	Tire
49	618-04360A	1	S	Transmission Assembly Bronco
49	618-04362	1	S	Transmission Assembly Super Bronco
50	710-0672	1	/P	Hex Head Screw, 5/16-24 x 1.25

21A-64M1066 Bronco CRT Roto-Tiller (2008)  
Engine Assembly



21A-64M1066 Bronco CRT Roto-Tiller (2008)  
Engine Assembly

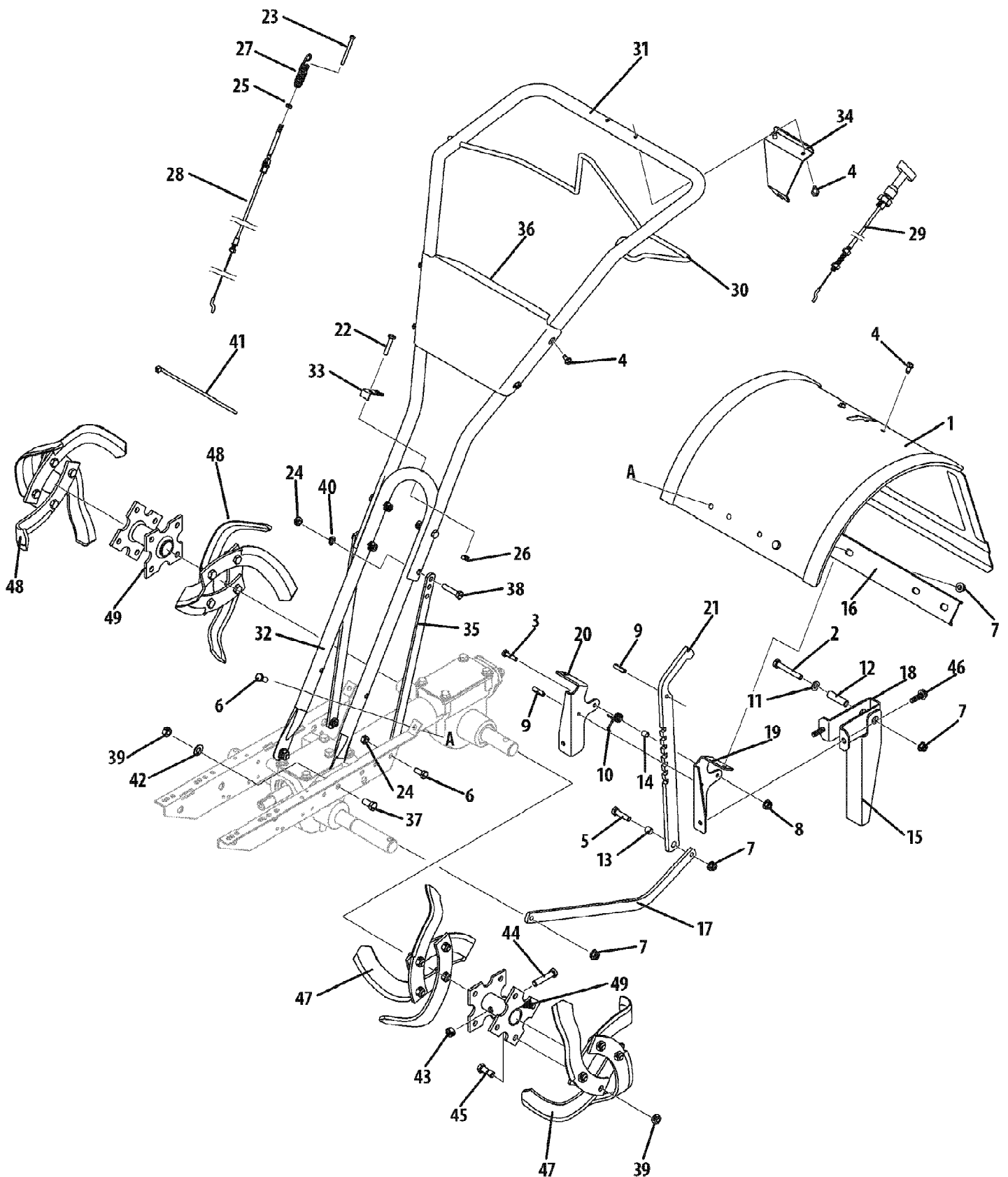
Page 5 of 16

Ref #	Part Number	Qty	S/P/F	Description
1		6		Bolt Furnish Short Block
2		1		Oil Filler Plug Furnish Short Block
3		1		O-Ring Furnish Short Block
4		1		Oil Seal Furnish Short Block
5		1		Left Crankcase Cover Furnish Short Block
6		1		Radial Ball Bearing Furnish Short Block
7		1		Camshaft Assembly Furnish Short Block
8		1		Dowel Pin Furnish Short Block
9		1		Dowel Pin Furnish Short Block
10		1		Case Cover Packing Furnish Short Block
11		1		Crankshaft Complete Furnish Short Block
12		1		Governor Kit Furnish Short Block
13		1		Radial Ball Bearing Furnish Short Block
14		1		Lock Pin Furnish Short Block
15		1		O-Ring Furnish Short Block
16		1		Governor Arm Furnish Short Block
17		1		Crankcase Complete Furnish Short Block
20	751-10806	1	S	Air Filter Heating Pipe Base
21		1		Oil Seal Furnish Short Block
22	751-10792	1	S	Ignition Complete
24	751-10818	1	S	Air Filter Housing
24	751-10794	1	S	Air Filter
25		1		Carburetor Packing Furnish Short Block
28	751-10796	1	S	Fuel Tank
28		1		Bolt Furnish Short Block
29		2		Nut Furnish Short Block
34	751-10790	1	S	Recoil Starter Assembly
38	751-10649	1	S	Fuel Filler Cap Complete
44	751-10654	1	S	Governor Spring
47		1		Head Cover Gasket Furnish Short Block
51		2		Rocker Arm Furnish Cylinder Head
52		2		Valve Adjusting Nut Furnish Cylinder Head
53		2		Pivot Locking Nut Furnish Cylinder Head
54		1		Cylinder Head Complete Furnish Cylinder Head
55		1		Cylinder Head Gasket Furnish Short Block
56		2		Dowel Pin Furnish Cylinder Head
57	751-10657	2	S	Stud 8 x 34
58	751-10292	1	S	Spark Plug
59		1		Muffler Gasket Furnish Cylinder Head
61		1		Carburetor Insulator Packing Furnish Short Block
62		1		Carburetor Insulator Furnish Short Block
64	751-10793	1	S	Muffler
65	751-10662	1	S	Dipstick Decoration Cover
66		1		Connecting Rod Assembly Furnish Short Block
67		2		Piston Pin Clip Furnish Short Block
68		1		Piston Furnish Short Block
69		1		Piston First Ring Set Furnish Short Block
70		1		Piston Pin Furnish Short Block
71	751-10648	1	S	Push Rod Kit

21A-64M1066 Bronco CRT Roto-Tiller (2008)  
Engine Assembly

Page 6 of 16

Ref #	Part Number	Qty	S/P/F	Description
71		2		Valve Lifter Furnish Push Rod Kit
71		2		Push Rod Furnish Push Rod Kit
73	751-10647	1	S	Valve Kit
73		1		Inlet Valve Furnish Valve Kit
73		1		Exhaust Valve Furnish Valve Kit
79	751-10651	1	S	Fuel Tank Nipple
82	751-10655	1	S	Dipstick
83	751-10656	1	S	Engine/Dipstick Cover
90	751-10797	1	S	Carburetor
	751-10799	1	S	Cylinder Head
	751-10798	1	S	Short Block
	751-10307	1	S	Flywheel Key (Not Shown)
	751-10800	1	S	Carb. Kit Major (Not Shown)
	751-10801	1	S	Gasket Kit - External (Not Shown)
	751-10802	1	S	Gasket Kit - Complete (Not Shown)

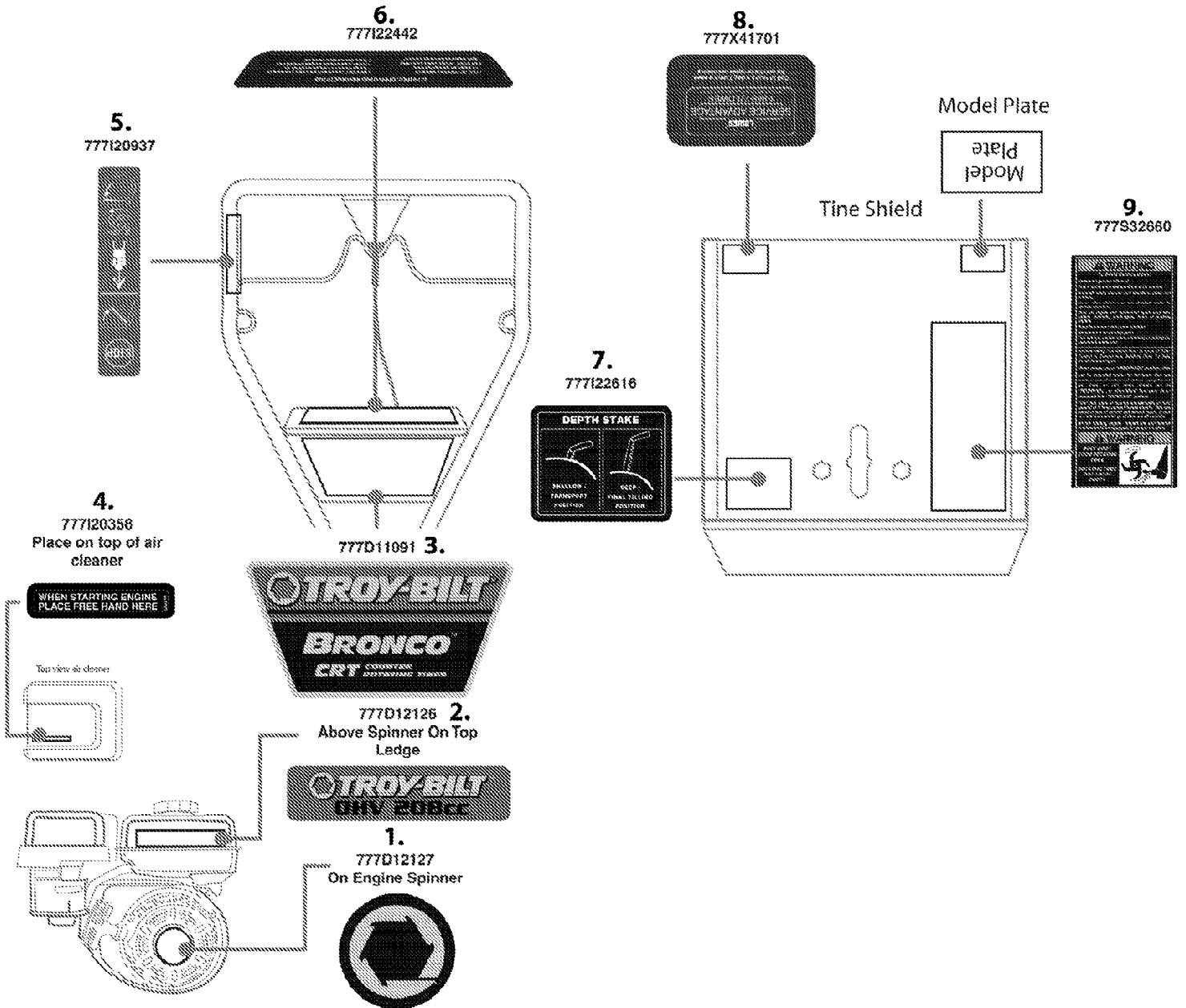


21A-64M1066 Bronco CRT Roto-Tiller (2008)  
Handle & Tine Shield

Page 8 of 16

Ref #	Part Number	Qty	S/P/F	Description
1	686-04076	1	S	Tine Hood Assembly Bronco
1	686-04077	1	S	Tine Hood Assembly Super Bronco
2	710-0395	1	/P	Hex Screw, 5/16-18 x 2.25
3	710-0597	1	/P	Hex Head Screw, 1/4-20 x 1
4	710-0599	1	/P	Self-Tapping Screw, 1/4-20 x 1/2
5	710-0874	1	/P	Hex Head Screw, 5/16-18 x 1-1/4
6	710-3008	1	/P	Hex Head Screw, 5/16-18 x .75
7	712-04063	1	/P	Nylon Hex Lock Nut, 5/16-18
8	712-04064	1	/P	Nylon Hex Lock Nut, 1/4-20
9	715-0108	1	/P	Spirol Pin
10	732-04320	1	/P	Depth Regulator Spring
11	736-0275	1	S	Flat Washer, 5/16
12	750-04149	1		Spacer, .462 x .328 x 1.63
13	750-04160	1	S	Bushing
14	750-04556	1		Spacer
15	786-04092	1	/P	Reverse Stop Arm
16	786-04098	1		Channel Support Bracket
17	786-04104	1	/P	Drag Bar
18	786-04191	1	S	Flap Stop Bracket
19	786-04290	1		Hood Bracket, Left Hand
20	786-04291	1		Hood Bracket, Right Hand
21	786-04292	1		Adjustable Depth Bar
22	710-0106	1	/P	Hex Hd. Screw, 1/4-20 x 1-1/4
23	710-04163	1	/P	Screw, #10-24 x 2
24	712-3009	1	S	Hex Lock Nut, 5/16-18
25	712-0121	1	S	Hex Nut, #10-24
26	712-0291	1	S	Hex Lock Nut, 1/4-20
27	732-04185	1		Forward Clutch Spring
28	746-04208	1	S	Forward Clutch Cable Assembly
29	746-04058	1	S	Rev. Clutch Cable Assembly Super Bronco
30	747-04210	1	S	Forward Clutch Bail
31	749-04084	1	S	Upper Handlebar
32	749-04208	1	S	Lower Handlebar
33	786-04106	1		Conduit Mount Tab
34	786-04040	1		Reverse Clutch Cable Bracket Super Bronco
35	786-04188	1	S	Handlebar Support
36	786-04200	1	S	Panel
37	710-0216	1	/P	Hex Screw, 3/8-16 x 3/4
38	710-0805	1	/P	Hex Screw, 5/16-18 x 1-1/2
39	712-3000	1	S	Hex Lock Nut, 3/8-16
40	736-0119	1	S	Lock Washer, 5/16
41	725-0157	1	/P	Cable Tie
42	736-3050	1	/P	Flat Washer, 3/8
43	712-04065	1	/P	Flange Lock Nut, 3/8 -16
44	710-0347	1	/P	Hex Hd. Screw, 3/8-16 x 1-3/4
45	710-0514	1	/P	Hex Hd. Screw, 3/8-16 x 1
46	710-04048	1	/P	Flange Screw, .312-18 x 1.00
47	742-04116	1	S	Single Bolo Tine See Tine Chart
48	742-04117	1	S	Single Bolo Tine See Tine Chart
49	686-04066	1		Tine Holder Bronco
49	686-04065	1	S	Tine Holder Super Bronco

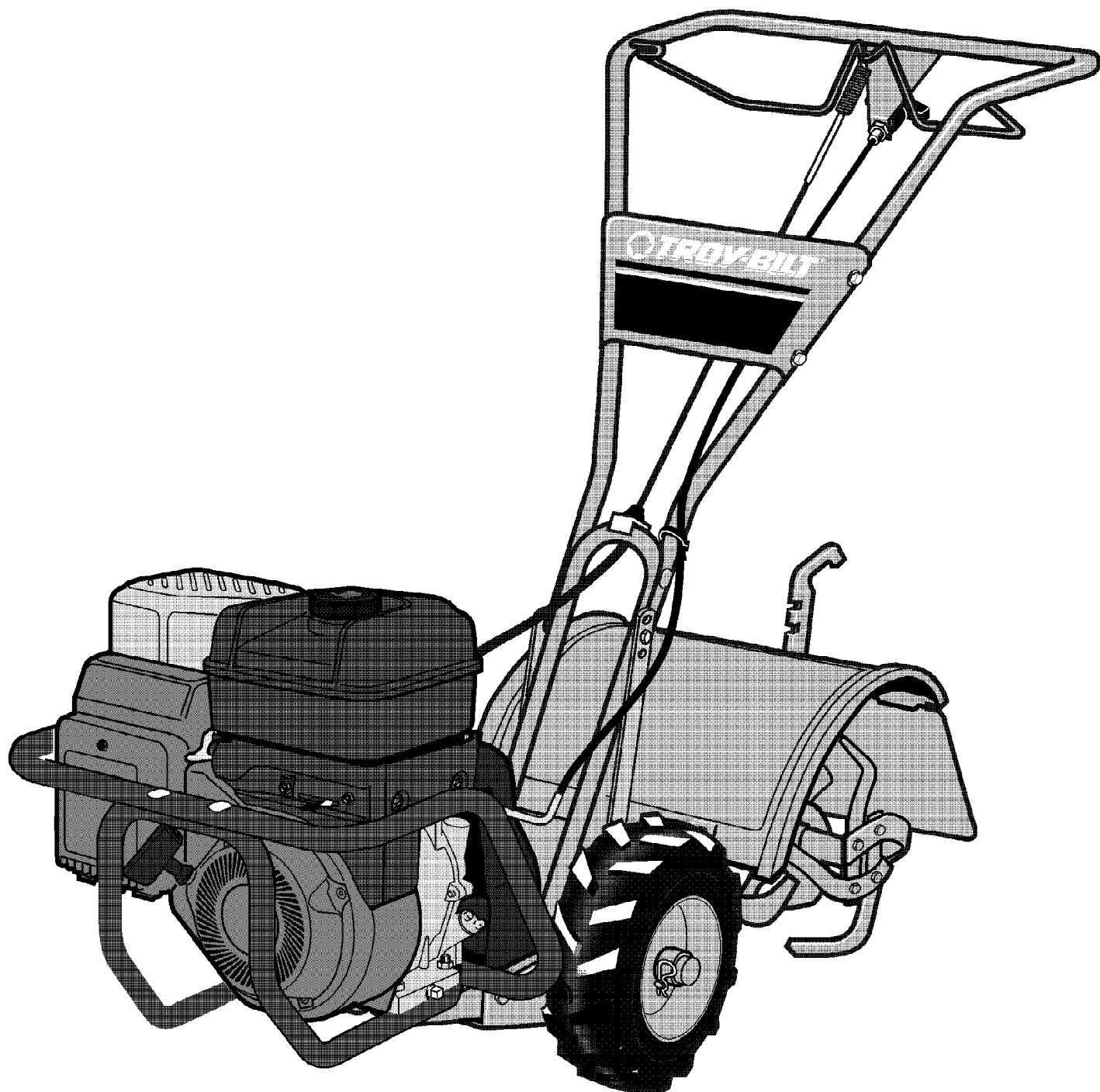




21A-64M1066 Bronco CRT Roto-Tiller (2008)  
Label Map Bronco

Page 10 of 16

Ref #	Part Number	Qty	S/P/F	Description
1	777D12127	1		LABEL-TILLER MTD ENGINE
2	777D12126	1		LABEL-TILLER MTD ENGINE TROY
3	777D11091	1		LABEL-TILLER HANDLE BRONCO CRT
4	777I20358	1		LABEL-PLACE HAND HERE
5	777I20937	1		LABEL-BAIL CONTROL
6	777I22442	1		LABEL-HANDLE PANLE
7	777I22616	1		LABEL:TILLER TINE SHIELD DEPTH
8	777X41701	1		LABEL
9	777S32660	1		LABEL:TILLER TINE SHIELD

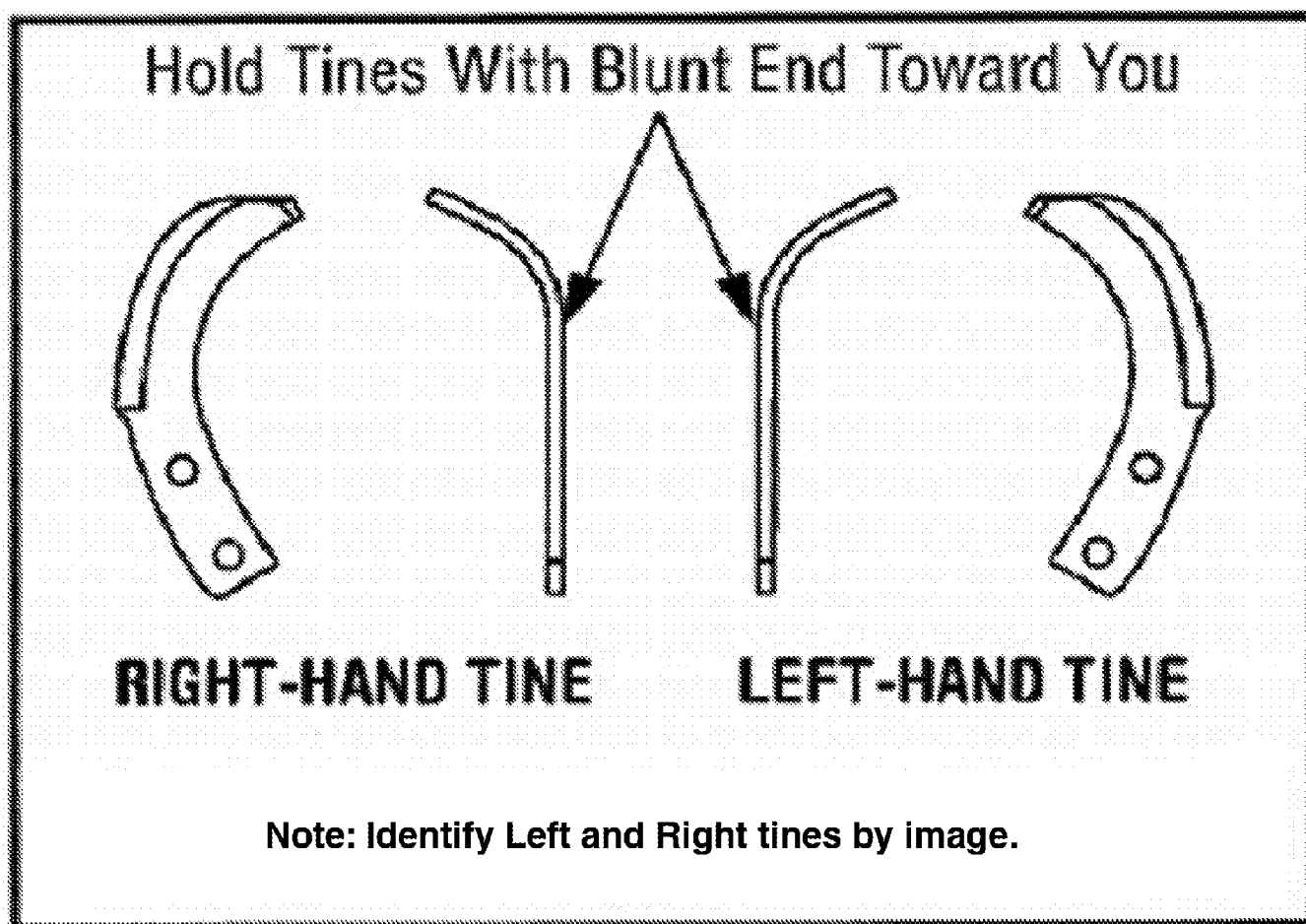


21A-64M1066 Bronco CRT Roto-Tiller (2008)  
Quick Reference Bronco

Page 12 of 16

Ref #	Part Number	Qty	S/P/F	Description
	751-10292	1	S	Spark Plug
	NA	1		Pre Filter
	751-10794	1	S	Air Filter
	751-10649	1	S	Fuel Cap
	754-04090	1	S	Drive Belt (FWD)
	NA	1		Drive Belt (REV)
	746-04208	1	S	Clutch Cable (FWD)
	NA	1		Clutch Cable (REV)
	742-04117-0637	1	S	Tines-Outer See Tine Chart
	742-04116-0637	1	S	Tines-Outer See Tine Chart
	NA	1		Tines-Inner (LH)
	NA	1		Tines-Inner (RH)
	NA	1		Rim
	NA	1		Tire
	734-04188	1		Wheel Assembly
	NA	1		Foam Grip
	NA	1		Handle Knob

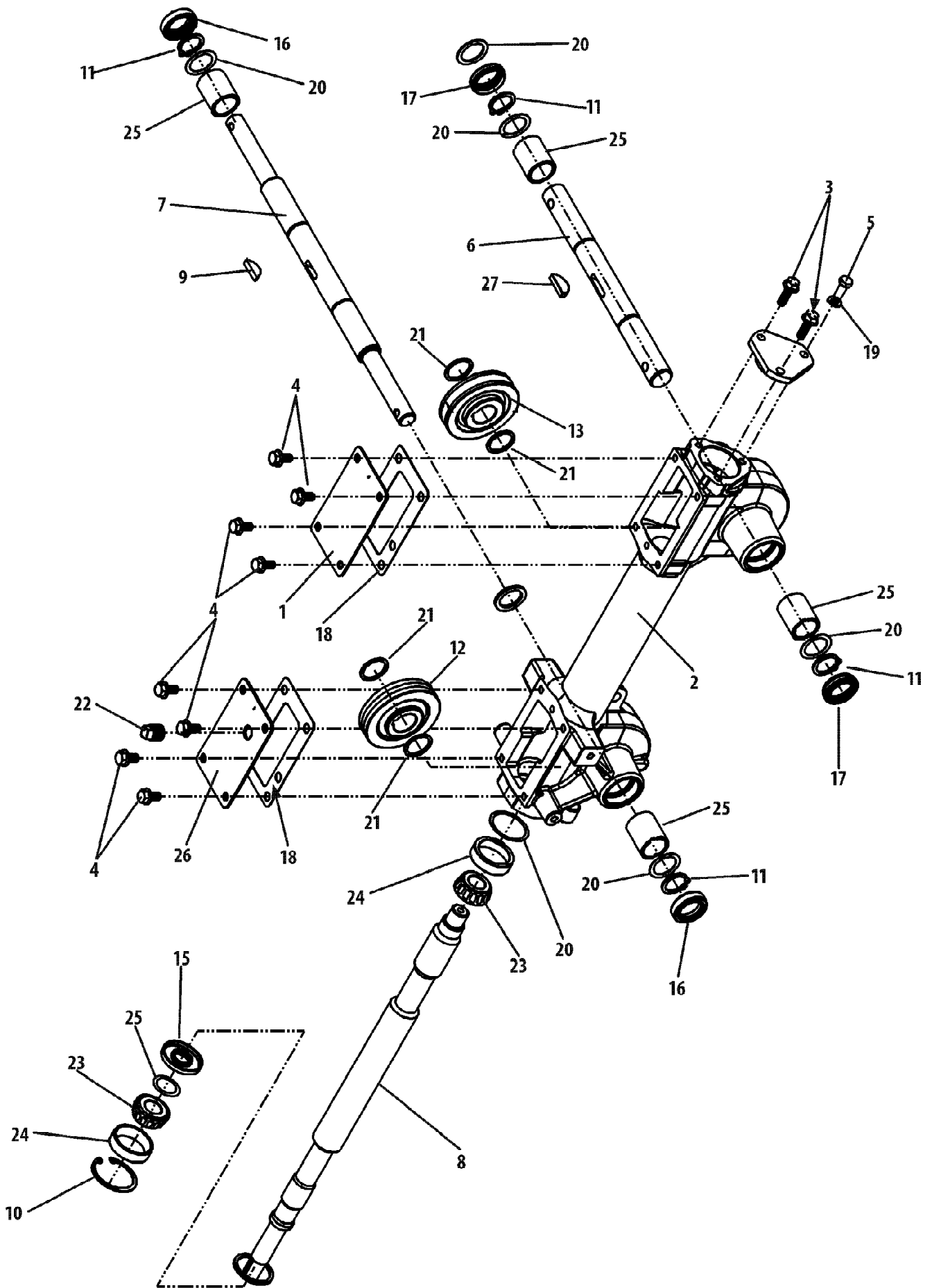
MODEL	LH Tine Part #	RH Tine Part #	Complete Set of <del>10000</del> Part #
Big Red	742-04119-0637	742-04118-0637	1901118
Horse	742-04119-0637	742-04118-0637	1901118
Pony	742-04119-0637	742-04118-0637	1901118
Pro-Line	742-04117-0637	742-04116-0637	GW-1901
Bronco	742-04117-0637	742-04116-0637	GW-1901
Tuffy	742-04117-0637	742-04116-0637	GW-1901



21A-64M1066 Bronco CRT Roto-Tiller (2008)  
Tine Chart

Page 14 of 16

Ref #	Part Number	Qty	S/P/F	Description
	742-04116-0637	1	S	Tines
	742-04117-0637	1	S	Tines
	742-04118-0637	1	/P	Tines
	742-04119-0637	1	/P	Tines
	1901118	1	S	Set of Tines
	GW-1901	1	/P	Set of Tines



Ref #	Part Number	Qty	S/P/F	Description
1	1918377	1	S	Cover Housing
2	619-04013	1	S	Transmission Housing
3	710-04048	1	/P	Hex Head Flange Screw
4	710-04049	1	/P	Hex Head Flange Screw
5	710-3008	1	/P	Hex Screw
6	711-04078	1	S	Tiller Shaft
7	711-04486	1	S	Wheel Shaft
8	711-04882	1	S	Drive Shaft
9	714-04059	1	/P	Hi-Pro Key
10	716-04102	1	/P	Retaining Ring
11	716-04104	1	/P	Retaining Ring
12	717-04380	1	S	Worm Gear, 61T
13	717-04381	1	S	Worm Gear, 30T
14	718-04008	1	S	Rear Bearing Cover
15	721-04030	1	S	Oil Seal, .75 x 1.783
16	721-04031	1	S	Oil Seal, 1.0 x 1.499
17	721-04036	1	S	Oil Seal, 1.0 x 1.5
18	721-04229	1	S	Gear Housing Gasket
19	736-0119	1	S	Lock Washer
20	736-04309	1	/P	Flat Washer, 1.375 x 1.015 x .062
20	736-04308	1	/P	Flat Washer, 1.5 x 1.75 x .01
20	736-04307	1	/P	Flat Washer, 1.5 x 1.75 x .03
20	736-04306	1	/P	Flat Washer, 1.5 x 1.75 x .005
20	736-04305	1	/P	Flat Washer, 1.5 x 1.75 x .062
20	736-04304	1	/P	Flat Washer, 1.25 x .75 x .06
20	736-04260	1		Flat Washer, 1.015 x 1.375 x .03
20	736-04259	1		Flat Washer, 1.015 x 1.375 x .015
20	736-04258	1	/P	Flat Washer, 1.015 x 1.375 x .01
20	736-04257	1	/P	Flat Washer, 1.015 x 1.375 x .005
21	736-04310	1		Flat Washer, 1.015 x 1.234 x .062
22	737-04202	1	/P	Pipe Plug
23	741-04298	1	S	Cone Bearing
24	741-04299	1	S	Cup Bearing
25	741-04300	1	S	Bushing, 1.005 x 1.25 x 1.5
26	786-04359	1		Transmission Cover
27	GW-1104	1	/P	Woodruff Key, .25 x 1.12