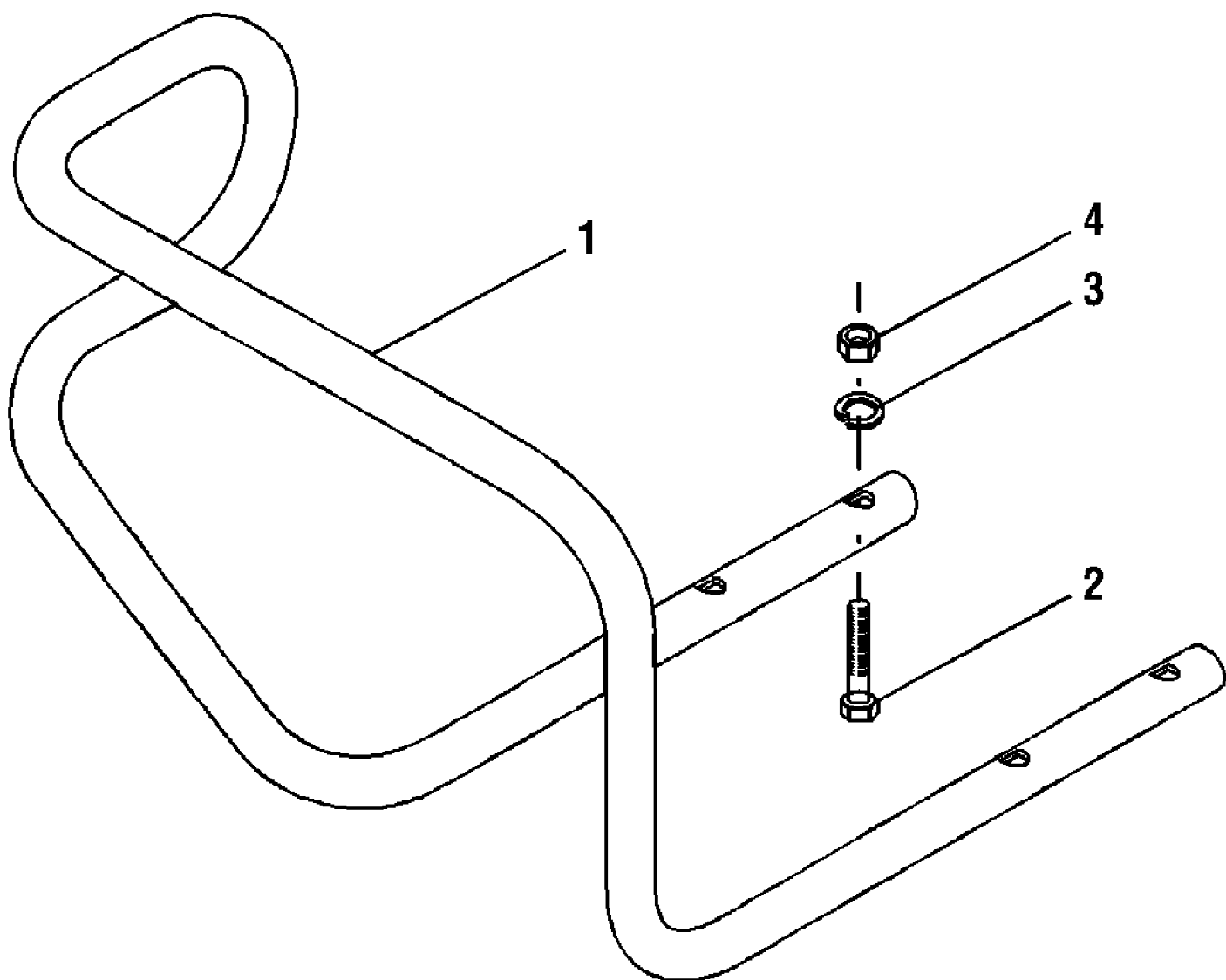


21A-634B063 6.5 HP Roto-Tiller (2003)
Bumper

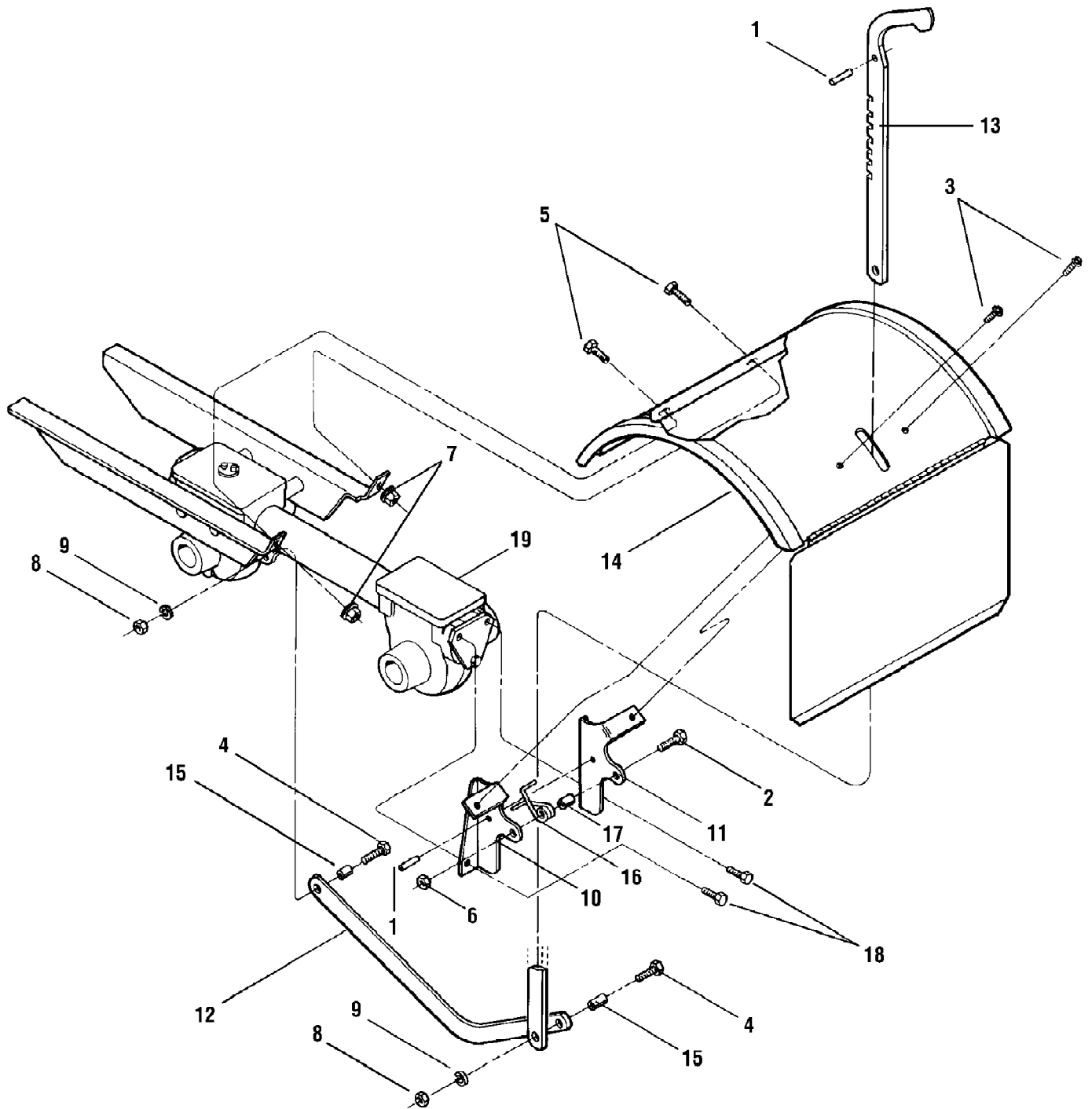


21A-634B063 6.5 HP Roto-Tiller (2003)
Bumper

Page 2 of 16

| Ref # | Part Number | Qty | S/P/F | Description |
|-------|-------------|-----|-------|---|
| 1 | 1918749 | 1 | | Bumper For Model 634B |
| 2 | 710-3073 | 1 | S | Hex Screw, 5/16-18 x 2-1/4 For Model 634B |
| 3 | 712-0267 | 1 | S | Nut, Hex, 5/16-18 For Model 634B |
| 4 | 736-0119 | 1 | S | Lock Washer, 5/16 For Model 634B |

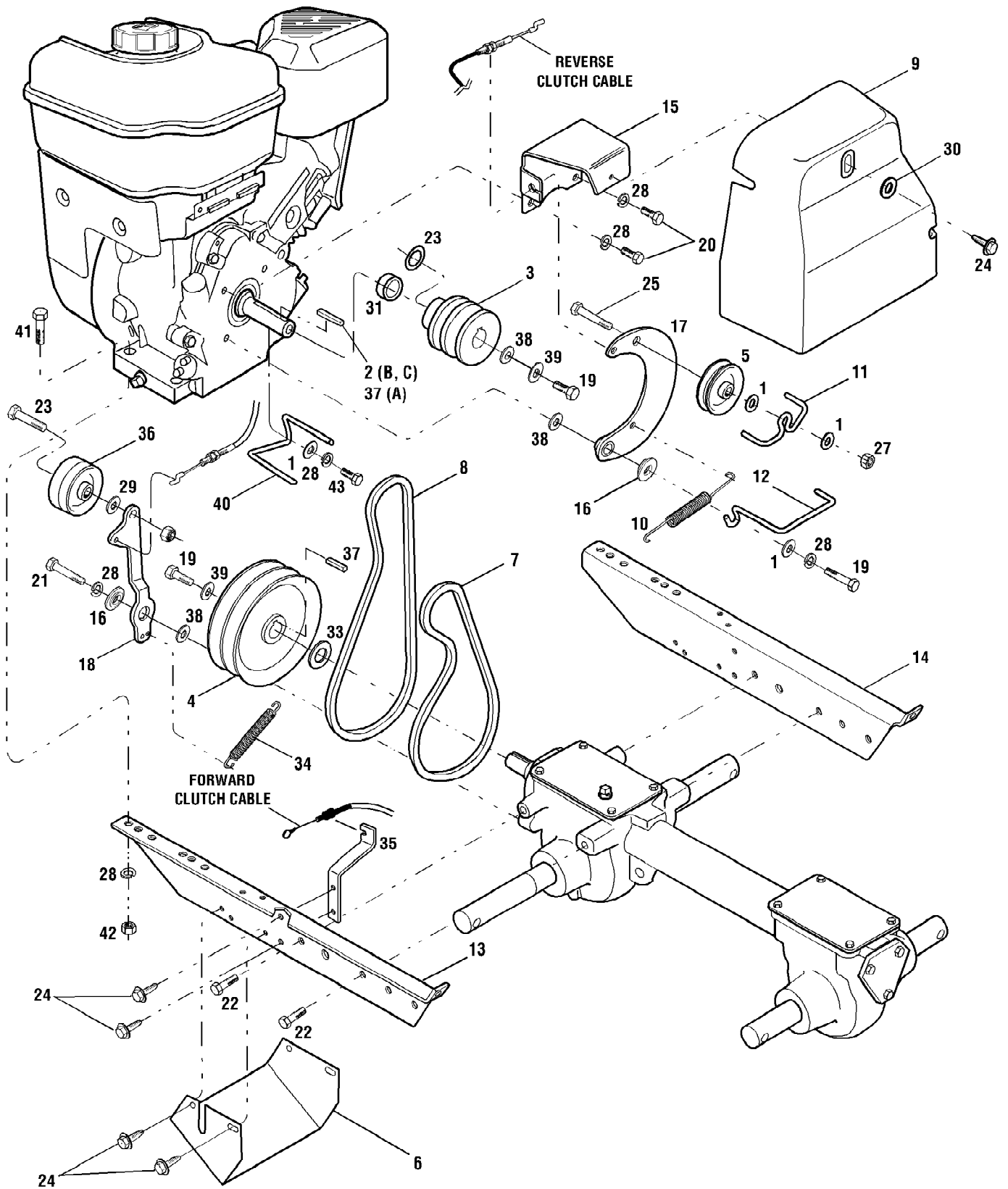
21A-634B063 6.5 HP Roto-Tiller (2003)
Drag Bar



21A-634B063 6.5 HP Roto-Tiller (2003)
Drag Bar

Page 4 of 16

| Ref # | Part Number | Qty | S/P/F | Description |
|-------|-------------|-----|-------|---|
| 1 | 1185469 | 1 | S | Spirol Pin |
| 2 | 710-0597 | 1 | /P | Hex Hd. Screw, 1/4-20 x 1 |
| 3 | 710-0599 | 1 | /P | Screw, Self-Tapping, 1/4-20 x 1/2 |
| 4 | 710-0874 | 1 | /P | Hex Hd. Screw, 5/16-18 x 1-1/4 |
| 5 | 710-3039 | 1 | /P | Hex Hd. Screw, 5/16-18 x 1/2 |
| 6 | 712-0291 | 1 | S | Hex Lock Nut, 1/4-20 |
| 7 | 712-3004A | 1 | /P | Hex Flange Lock Nut, 5/16-18 |
| 8 | 712-3009 | 1 | S | Hex Nut, 5/16-18 |
| 9 | 736-0119 | 1 | S | Lock Washer, 5/16 |
| 10 | 1916120001 | 1 | S | Hood Bracket, Left Hand |
| 11 | 1916119001 | 1 | S | Hood Bracket, Right Hand |
| 12 | 1916121001 | 1 | S | Drag Bar |
| 13 | 1916118001 | 1 | S | Depth Regulator Lever |
| 14 | 1917594 | 1 | S | Tine Hood Assembly For Model 634F/634B |
| | 1904572 | 1 | S | Tine Hood Assembly For Model 630C |
| 15 | GW-55088 | 1 | /P | Bushing |
| 16 | GW-9384 | 1 | S | Spring, Depth Regulator |
| 17 | GW-9534 | 1 | /P | Spacer |
| 18 | 710-04048 | 1 | /P | Hex Hd. Flange Screw, 5/16-18 x 1 |
| 19 | 618-04000 | 1 | S | Transmission Assembly For Model 634F/634B |
| | 618-04001 | 1 | S | Transmission Assembly For Model 630C |

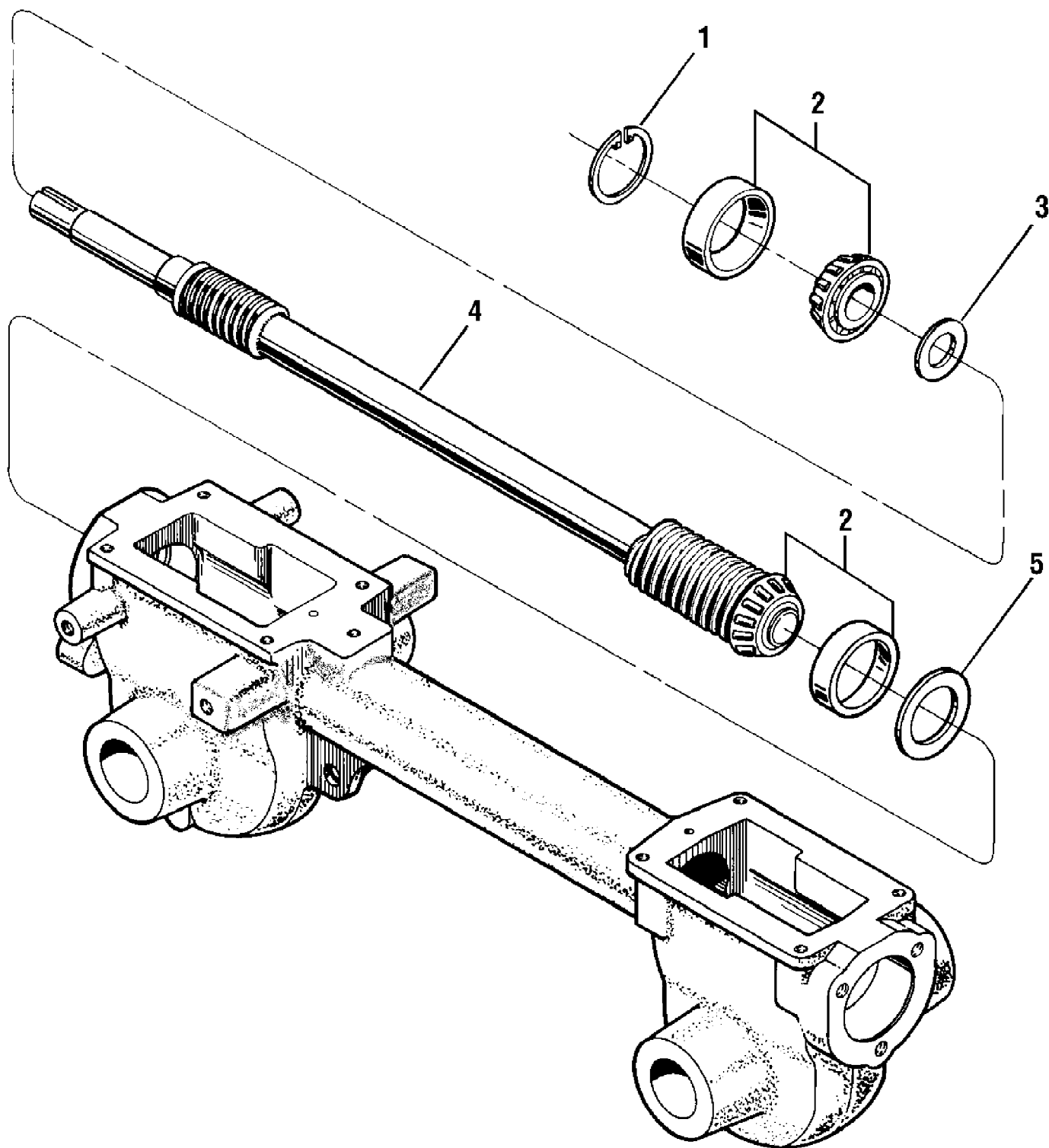


21A-634B063 6.5 HP Roto-Tiller (2003)
Drive

Page 6 of 16

| Ref # | Part Number | Qty | S/P/F | Description |
|-------|-------------|-----|-------|--|
| 1 | 1107382 | 1 | /P | Flat Washer, 5/16 |
| 2 | 1108841 | 1 | S | Key, 3/16" x 1-1/2" For Model 634F/634B |
| 3 | 1916531 | 1 | S | Pulley, Engine Drive For Model 634F/634B |
| | GW-55035 | 1 | /P | Pulley, Engine Drive For Model 630C |
| 4 | 1916532 | 1 | S | Transmission Pulley For Model 634F/634B |
| | GW-55031 | 1 | S | Transmission Pulley |
| 5 | 1916535 | 1 | /P | Pulley, Reverse Idler For Model 634F/634B |
| 6 | 1916652 | 1 | S | Guard, Belts/Pulleys |
| 7 | 1916657 | 1 | /P | Forward Drive Belt For Model 634F/634B |
| | GW-55037 | 1 | /P | Forward Drive Belt For Model 630C |
| 8 | 1916658 | 1 | /P | Reverse Drive Belt For Model 634F/634B |
| 9 | 1916660 | 1 | S | Belt Cover |
| 10 | 1916724 | 1 | /P | Reverse Return Spring For Model 634F/634B |
| 11 | 1916725 | 1 | S | Belt Guide For Model 634F/634B |
| 12 | 1916726 | 1 | /P | Forward Belt Guide For Model 634F/634B |
| 13 | 1916794 | 1 | S | Engine Bracket, Left |
| 14 | 1916795 | 1 | S | Engine Bracket, Right |
| 15 | 1917326 | 1 | S | Bracket, Belt Cover |
| 16 | 1917746 | 1 | S | Shoulder Washer |
| 17 | 1918731 | 1 | S | Reverse Idler Arm For Model 634F/634B |
| 18 | 1918744 | 1 | S | Forward Idler Lever |
| 19 | 710-0117 | 1 | S | Hex Hd. Screw, 5/16-24 x 1 For Model 634F/634B |
| 20 | 710-0237 | 1 | /P | Hex Hd. Screw, 5/16-24 x 5/8 |
| 21 | 710-0376 | 1 | /P | Hex Hd. Screw, 5/16-18 x 1 |
| 22 | 710-04049 | 1 | /P | Hex Hd. Screw, 5/16-18 x 5/8 |
| 23 | 710-0520 | 1 | /P | Hex Hd. Screw, 3/8-16 x 1-1/2 |
| 24 | 710-0599 | 1 | /P | Screw, Self-Tapping, 1/4-20 x 1/2 |
| 25 | 710-3103 | 1 | /P | Hex Hd. Screw, 5/16-18 x 2 For Model 634F/634B |
| ?26 | 712-3000 | 1 | S | Lock Nut, 3/8-16 |
| 27 | 712-3009 | 1 | S | Lock Nut, 5/16-18 For Model 634F/634B |
| 28 | 736-0119 | 1 | S | Lock Washer, 5/16 |
| 29 | 736-3050 | 1 | /P | Flat Washer, 3/8 |
| 30 | 736-3090 | 1 | /P | Flat Washer |
| 31 | 748-04026 | 1 | S | Spacer For Model 630C |
| ?32 | GW-1138-2 | 1 | S | Shim |
| 33 | GW-50027 | 1 | /P | Support Washer |
| 34 | GW-55034 | 1 | S | Forward Return Spring |
| 35 | GW-55049 | 1 | | Bracket, Cable Mounting |
| 36 | GW-9090 | 1 | S | Forward Idler Pulley |
| 37 | GW-9301 | 1 | S | Key, 3/16" x 1" |
| 38 | GW-9929 | 1 | /P | Flat Washer |
| 39 | GW-9944 | 1 | S | Belleville Washer |
| 40 | GW-55039 | 1 | /P | Forward Belt Guide For Model 630C |
| 41 | 710-0805 | 1 | /P | Hex Hd. Screw, 5/16-18 x 1-1/2 For Model 630C |
| 42 | 712-3010 | 1 | S | Hex Nut, 5/16-18 For Model 630C |
| 43 | 710-0157 | 1 | /P | Hex Hd. Screw, 5/16-24 x 3/4 For Model 630C |

21A-634B063 6.5 HP Roto-Tiller (2003)
Drive Shaft



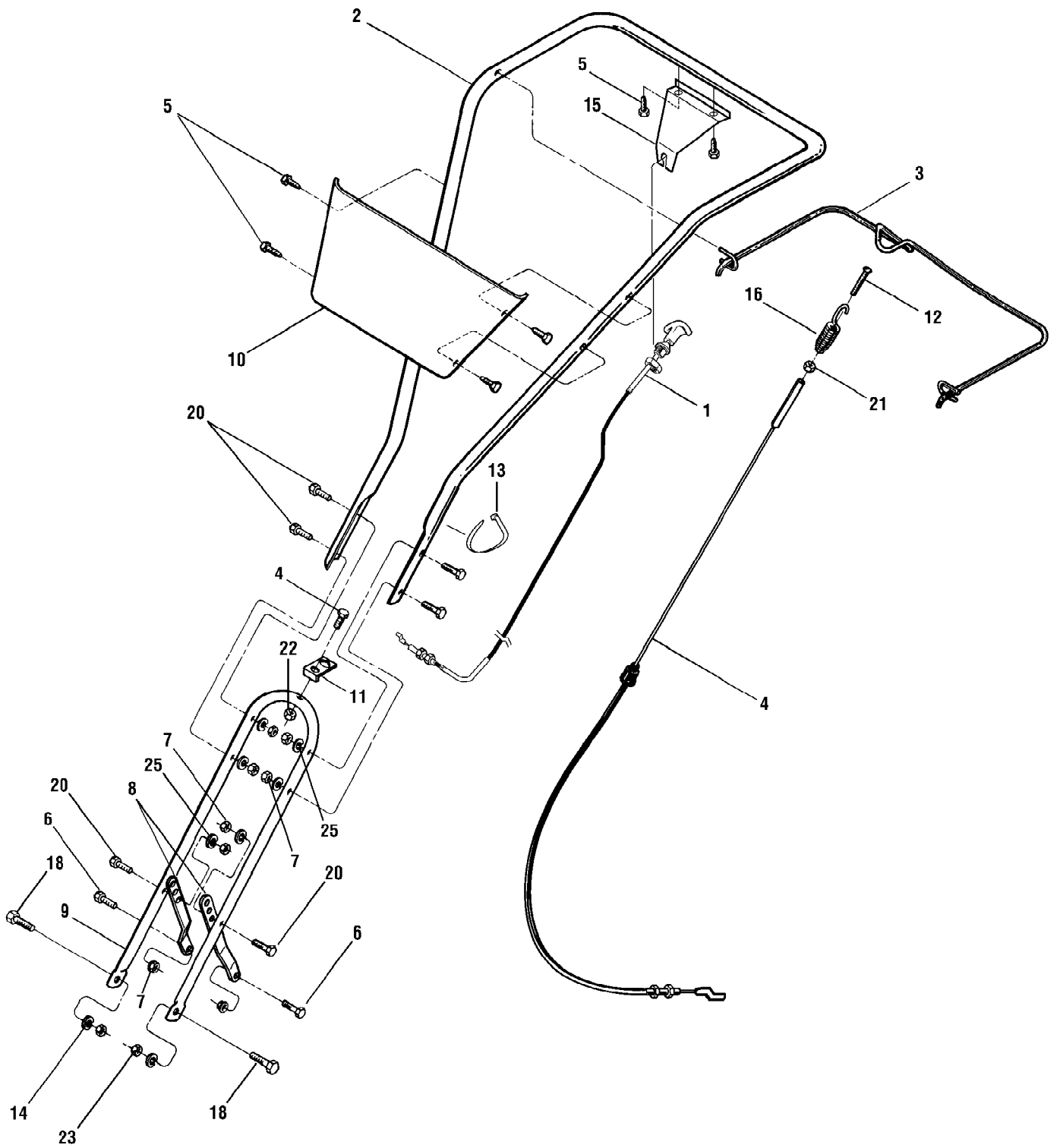
21A-634B063 6.5 HP Roto-Tiller (2003)
Drive Shaft

Page 8 of 16

| Ref # | Part Number | Qty | S/P/F | Description |
|-------|-------------|-----|-------|---|
| 1 | GW-9517 | 1 | S | Snap Ring |
| 2 | GW-1714 | 1 | S | Bearing, Tapered Roller (with race) |
| 3 | GW-50043 | 1 | S | Support Washer, Rear |
| 4 | 711-04109 | 1 | S | Drive Shaft For Model 630C/634F/634B |
| 5 | GW-1224-1 | 1 | S | Shim, Rear Bearing Cap, .010" thick Use as required to obtain between .005" and .015" allowable end-play. |
| | GW-1224-2 | 1 | S | Shim, same as above, except .030" thick Use as required to obtain between .005" and .015" allowable end-play. |
| | GW-1224-3 | 1 | S | Shim, same as above, except .005" thick Use as required to obtain between .005" and .015" allowable end-play. |
| | GW-1224-4 | 1 | S | Shim, same as above, except .062" thick Use as required to obtain between .005" and .015" allowable end-play. |
| | GW-1325C | 1 | /P | Shim Set (Incl. the following shims: two #1224-1, two 1224-2 & one #1224-4) |

21A-634B063 6.5 HP Roto-Tiller (2003)
Handle

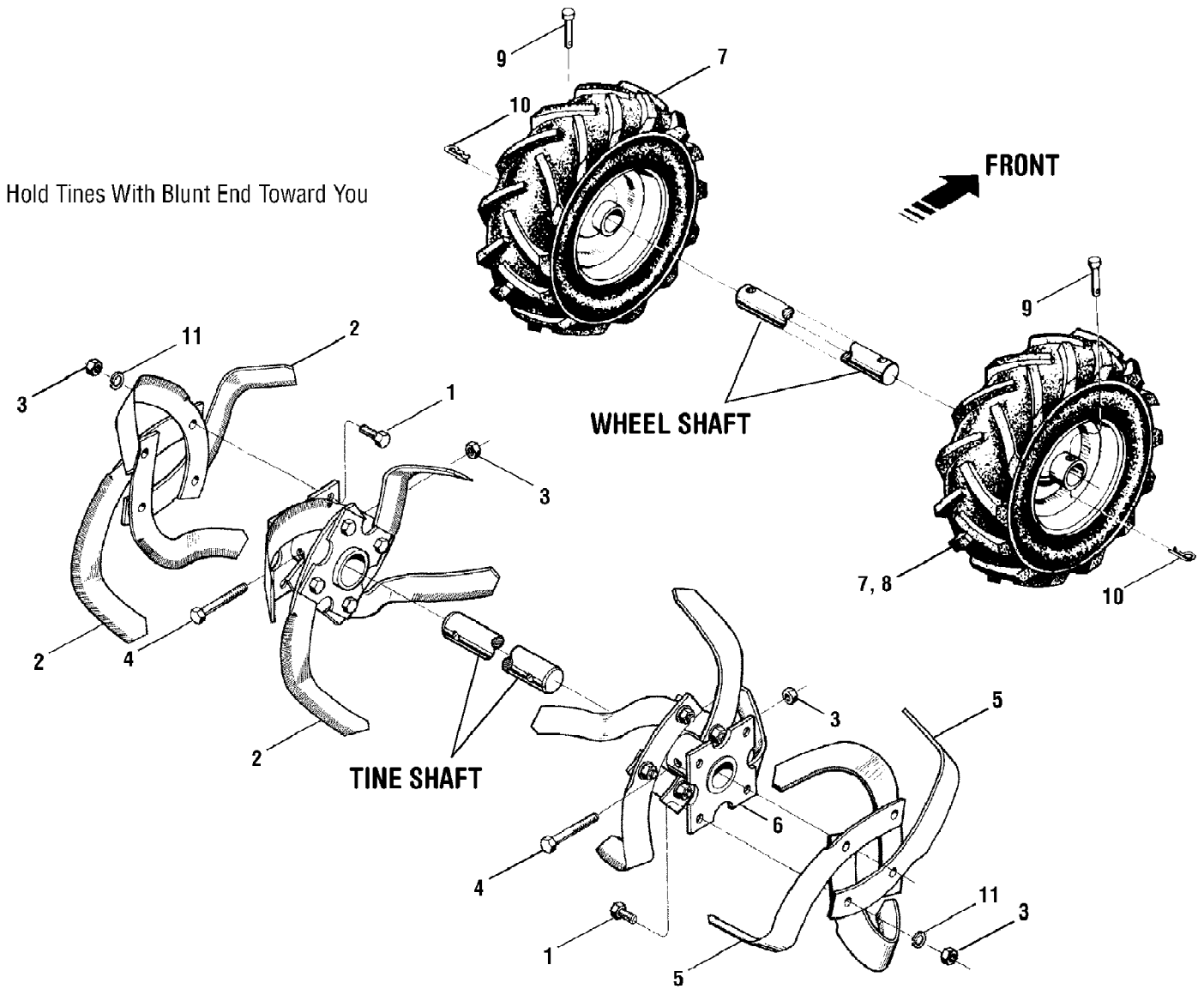
Page 9 of 16



21A-634B063 6.5 HP Roto-Tiller (2003)
Handle

Page 10 of 16

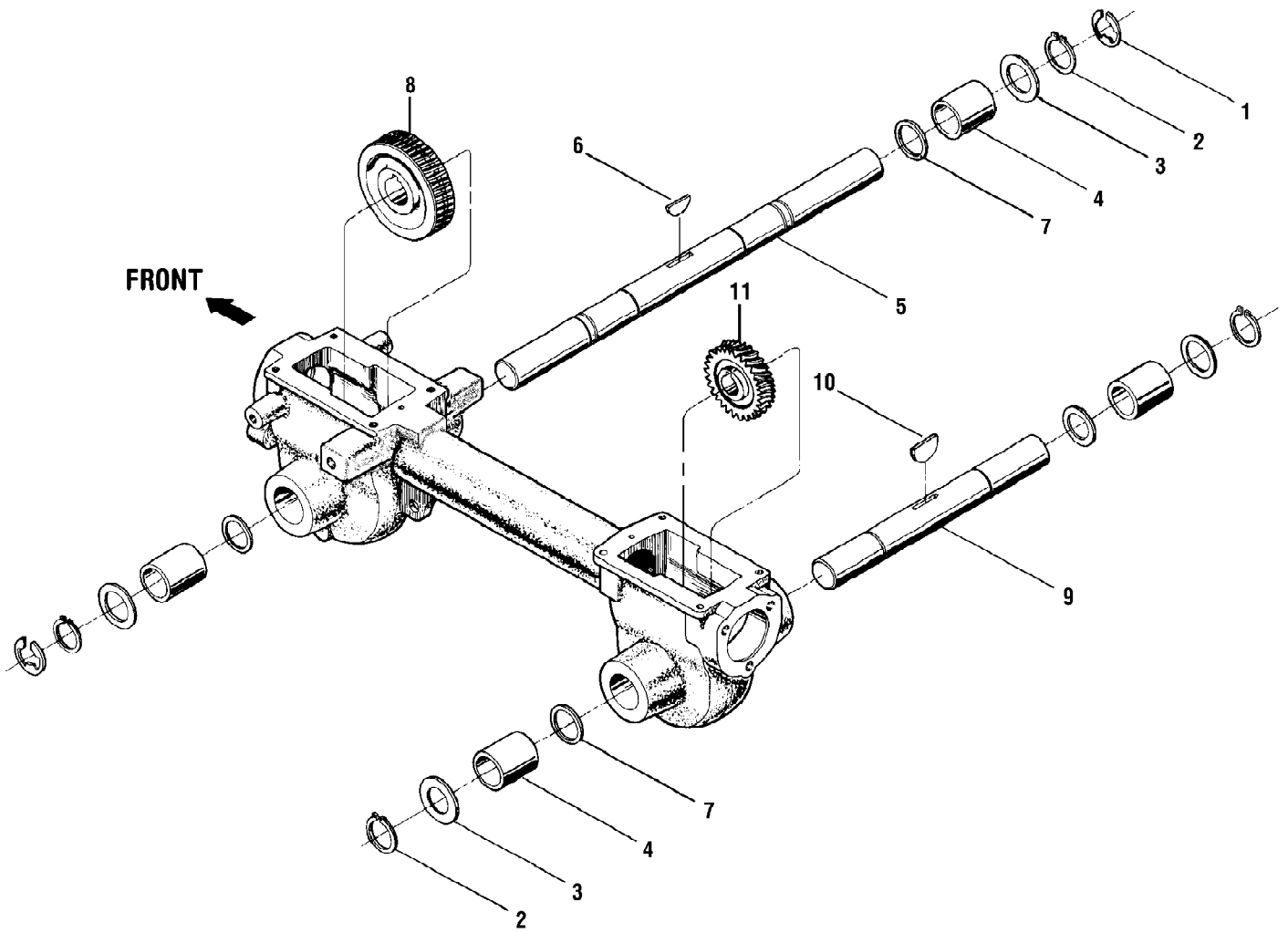
| Ref # | Part Number | Qty | S/P/F | Description |
|-------|-------------|-----|-------|--|
| 1 | 1916719 | 1 | S | Cable Assembly, Reverse Clutch For Model 634F/634B |
| 2 | 1916996 | 1 | S | Upper Handlebar (634) |
| | GW-55104 | 1 | S | Upper Handlebar (630) |
| 3 | 1916106001 | 1 | /P | Bail, Forward Clutch |
| 4 | 1918745 | 1 | S | Cable Assembly, Forward Clutch |
| 5 | 710-0599 | 1 | /P | Screw, Self-Tapping, 1/4-20 x 1/2 |
| 6 | 710-3008 | 1 | /P | Screw, Hex, 5/16-18 x 3/4 |
| 7 | 712-3009 | 1 | S | Hex Lock Nut, 5/16-18 |
| 8 | GW-55042 | 1 | S | Handlebar Support |
| 9 | GW-55043 | 1 | S | Lower Handlebar |
| 10 | GW-55102 | 1 | | Panel |
| 11 | GW-55044 | 1 | /P | Tab, Conduit Mount |
| 12 | GW-9855 | 1 | S | Screw, #10-24 x 2 |
| 13 | 725-0157 | 1 | /P | Cable Tie |
| 14 | 736-3050 | 1 | /P | Flat Washer, 3/8 |
| 15 | 1916674001 | 1 | S | Bracket, Reverse Clutch Cable For Model 634F/634B |
| 16 | 1916712 | 1 | /P | Spring, Forward Clutch |
| ?17 | 710-0106 | 1 | /P | Hex Hd. Screw, 1/4-20 x 1-1/4 |
| 18 | 710-0216 | 1 | /P | Screw, Hex, 3/8-16 x 3/4 |
| 20 | 710-0805 | 1 | /P | Screw, Hex, 5/16-18 x 1-1/2 |
| 21 | 712-0121 | 1 | S | Hex Nut, #10-24 |
| 22 | 712-0291 | 1 | S | Hex Lock Nut, 1/4-20 |
| 23 | 712-3000 | 1 | S | Hex Nut, 3/8-16 |
| 25 | 736-0119 | 1 | S | Lock Washer, 5/16 |



21A-634B063 6.5 HP Roto-Tiller (2003)
Tines & Wheels

Page 12 of 16

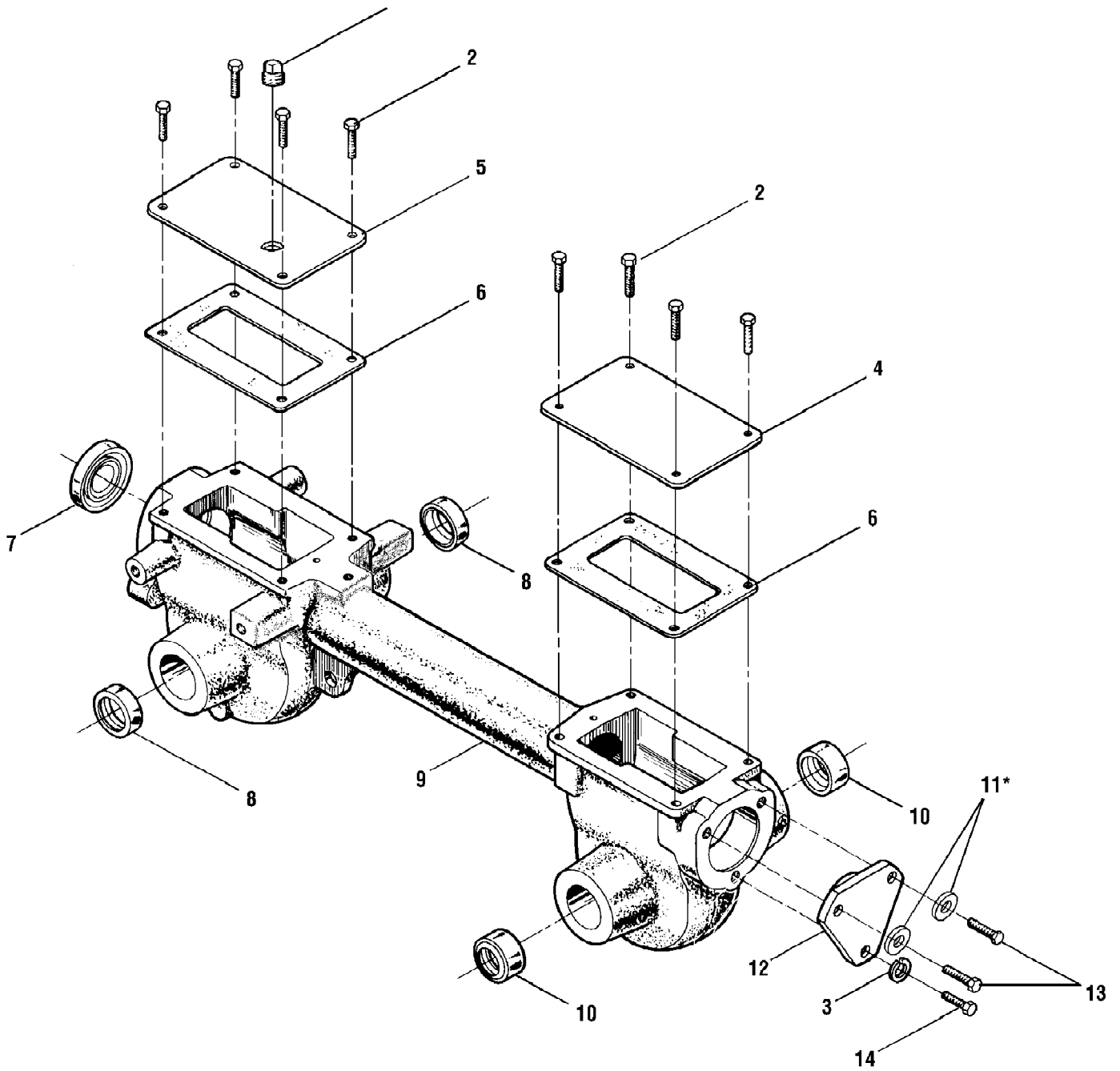
| Ref # | Part Number | Qty | S/P/F | Description |
|-------|-------------|-----|-------|---|
| 1 | 710-3005 | 1 | /P | Hex Hd. Screw, 3/8-16 x 1-1/4, Grade 5 |
| 2 | GW-50049-01 | 1 | S | Single Bolo Tine - Right Hand For Model 630C/634F/634B |
| 3 | 712-3000 | 1 | S | Hex Lock Nut, 3/8-16 |
| 4 | 710-0347 | 1 | /P | Hex Hd. Screw, 3/8-16 x 1-3/4 |
| 5 | GW-50049-02 | 1 | S | Single Bolo Tine - Left Hand For Model 630C/634F/634B |
| 6 | 1916747 | 1 | S | Tine Holder For Model 634F/634B |
| | 1915075 | 1 | S | Tine Holder For Model 630C |
| 7 | 1917486 | 1 | /P | Wheel & Tire Ass'y - Left/Right Side For Model 634F |
| | 1917487 | 1 | S | Wheel & Tire Ass'y - Left/Right Side For Model 634B |
| | GW-55095-01 | 1 | S | Wheel & Tire Ass'y - Left Side Only For Model 630C |
| 8 | GW-55095-02 | 1 | S | Wheel & Tire Ass'y - Right Side Only For Model 630C |
| 9 | GW-9380 | 1 | S | Clevis Pin, .312" x 1-3/4" |
| 10 | GW-9338 | 1 | S | Hair Pin Cotter |
| 11 | 736-0169 | 1 | S | Lock Washer, 3/8 For Model 634F/634B |
| | GW-1901 | 1 | /P | Bolo Tine Replacement Set (Incl. eight right-hand tines, eight left-hand tines and required hardware); For Model 630C/634F/634B |



21A-634B063 6.5 HP Roto-Tiller (2003)
Transmission

Page 14 of 16

| Ref # | Part Number | Qty | S/P/F | Description |
|-------|-------------|-----|-------|---|
| 1 | GW-9512 | 1 | /P | Retainer, Snap Ring, "E" Type |
| 2 | 1909950 | 1 | S | Retainer, Snap Ring |
| 3 | GW-1166-1 | 1 | S | Shim, 0.062" thick Use as required to obtain between .00" and .030" allowable end-play. |
| | GW-1166-2 | 1 | /P | Shim, 0.030" thick Use as required to obtain between .00" and .030" allowable end-play. |
| | GW-1166-3 | 1 | /P | Shim, 0.015" thick Use as required to obtain between .00" and .030" allowable end-play. |
| | GW-1166-4 | 1 | S | Shim, 0.010" thick Use as required to obtain between .00" and .030" allowable end-play. |
| | GW-1166-5 | 1 | S | Shim, 0.005" thick Use as required to obtain between .00" and .030" allowable end-play. |
| 4 | GW-1086 | 1 | S | Bronze Bushing |
| 5 | 711-04092 | 1 | S | Wheel Shaft For Model 634F/634B |
| | 711-04088 | 1 | S | Wheel Shaft For Model 630C |
| 6 | GW-9305 | 1 | S | Key, Hi-Pro, 1/4 x 1 |
| 7 | GW-1132-2 | 1 | /P | Spacer |
| 8 | 1904278 | 1 | S | Worm Gear, Wheel Shaft |
| 9 | 711-04078 | 1 | S | Tiller Shaft |
| 10 | GW-1104 | 1 | /P | Woodruff Key |
| 11 | 1904279 | 1 | S | Worm Gear, Tiller Shaft |



21A-634B063 6.5 HP Roto-Tiller (2003)
Transmission Housing

Page 16 of 16

| Ref # | Part Number | Qty | S/P/F | Description |
|-------|-------------|-----|-------|--|
| ?1 | GW-9727 | 1 | S | Plug, Transmission Oil Fill |
| 2 | 710-04049 | 1 | /P | Hex Hd. Flange Screw, 5/16-18 x 5/8, Gr. 5 |
| 3 | 736-0119 | 1 | S | Lock Washer, 5/16 |
| 4 | 1918377 | 1 | S | Rear Cover, Transmission |
| 5 | 1916641 | 1 | S | Front Cover, Transmission |
| 6 | GW-50032 | 1 | S | Gasket, Housing Cover |
| 7 | 721-04030 | 1 | S | Oil Seal, Drive Shaft |
| 8 | 721-04031 | 1 | S | Oil Seal, Wheel Shaft |
| 9 | 619-04013 | 1 | S | Transmission Housing Assembly |
| 10 | 721-04036 | 1 | S | Oil Seal, Tine Shaft |
| 11 | 736-3008 | 1 | S | Washer, Flat, .344 x .750 x .120 Included with transmission when purchased as an assembly only. Remove and discard when installing the transmission on tiller. |
| 12 | 714-04008 | 1 | | Rear Bearing Cap |
| 13 | 710-04048 | 1 | /P | Hex Hd. Flange Screw, 5/16-18 x 1 |
| 14 | 710-3008 | 1 | /P | Hex Hd. Flange Screw, 5/16-18 x 3/4 |