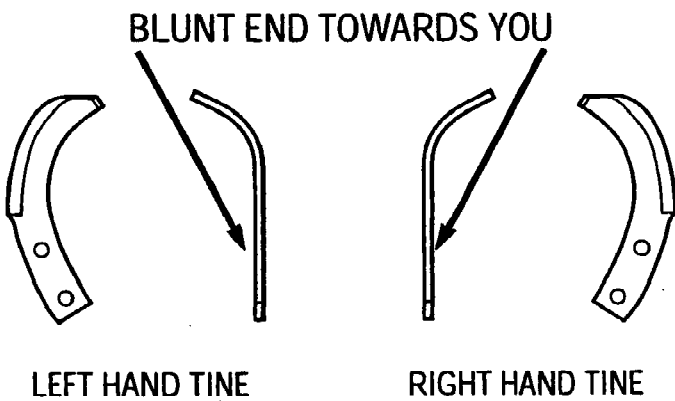
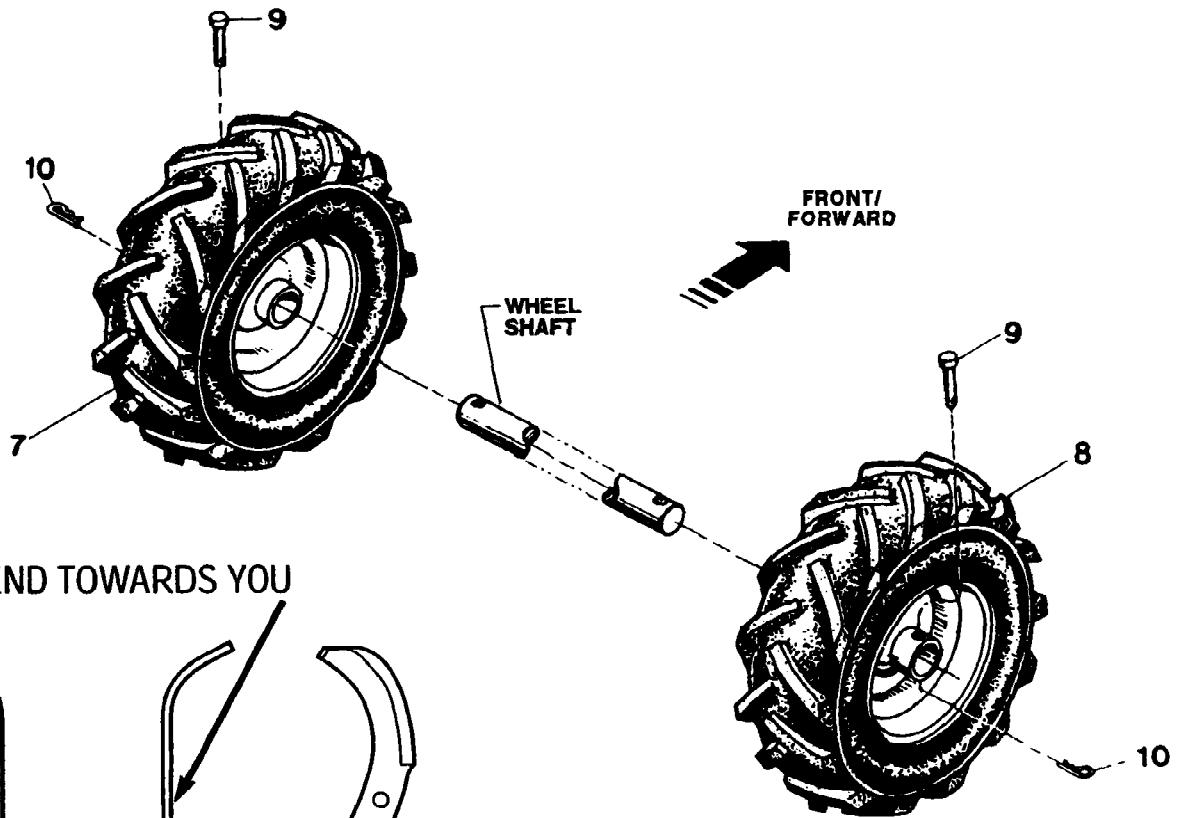
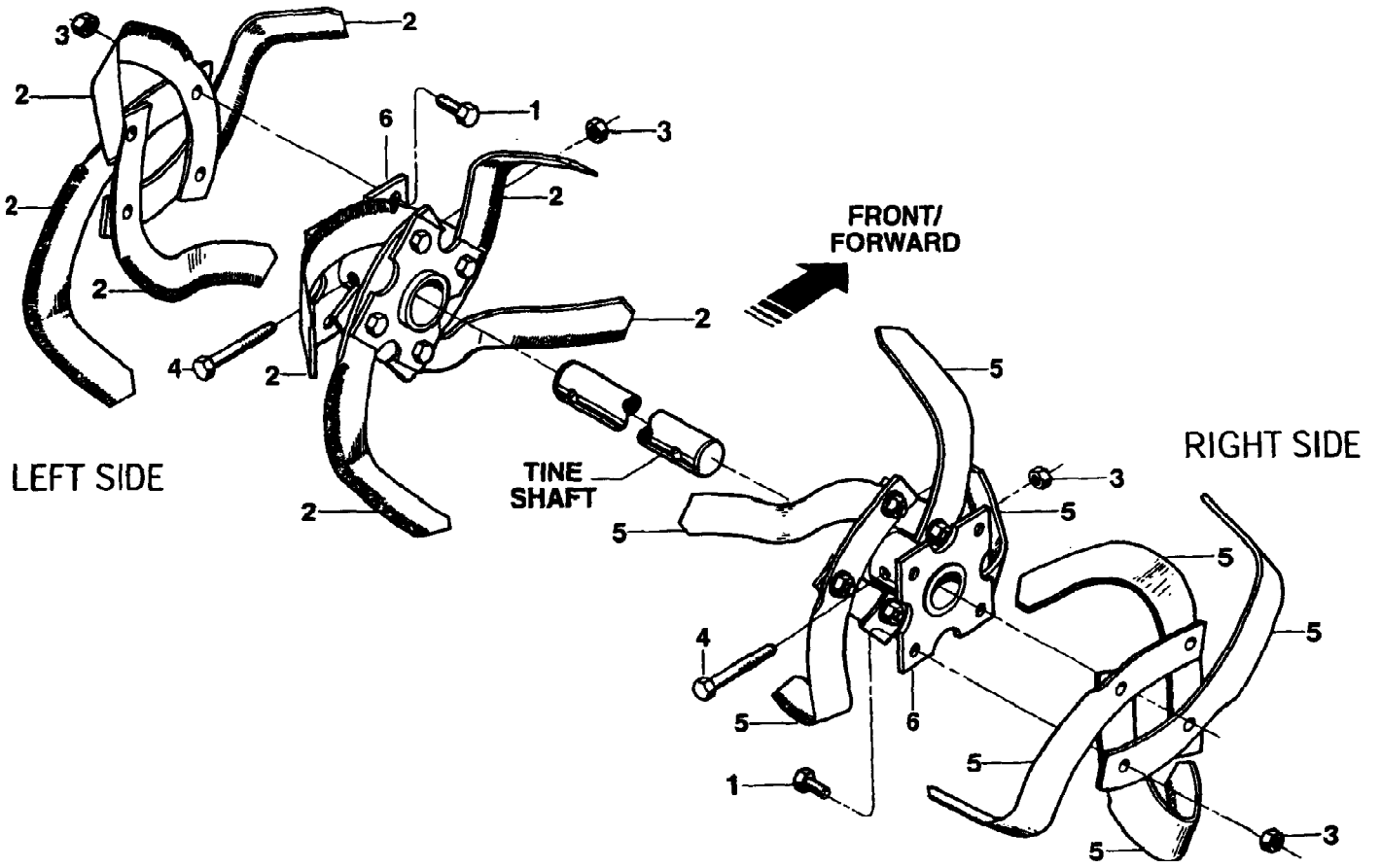


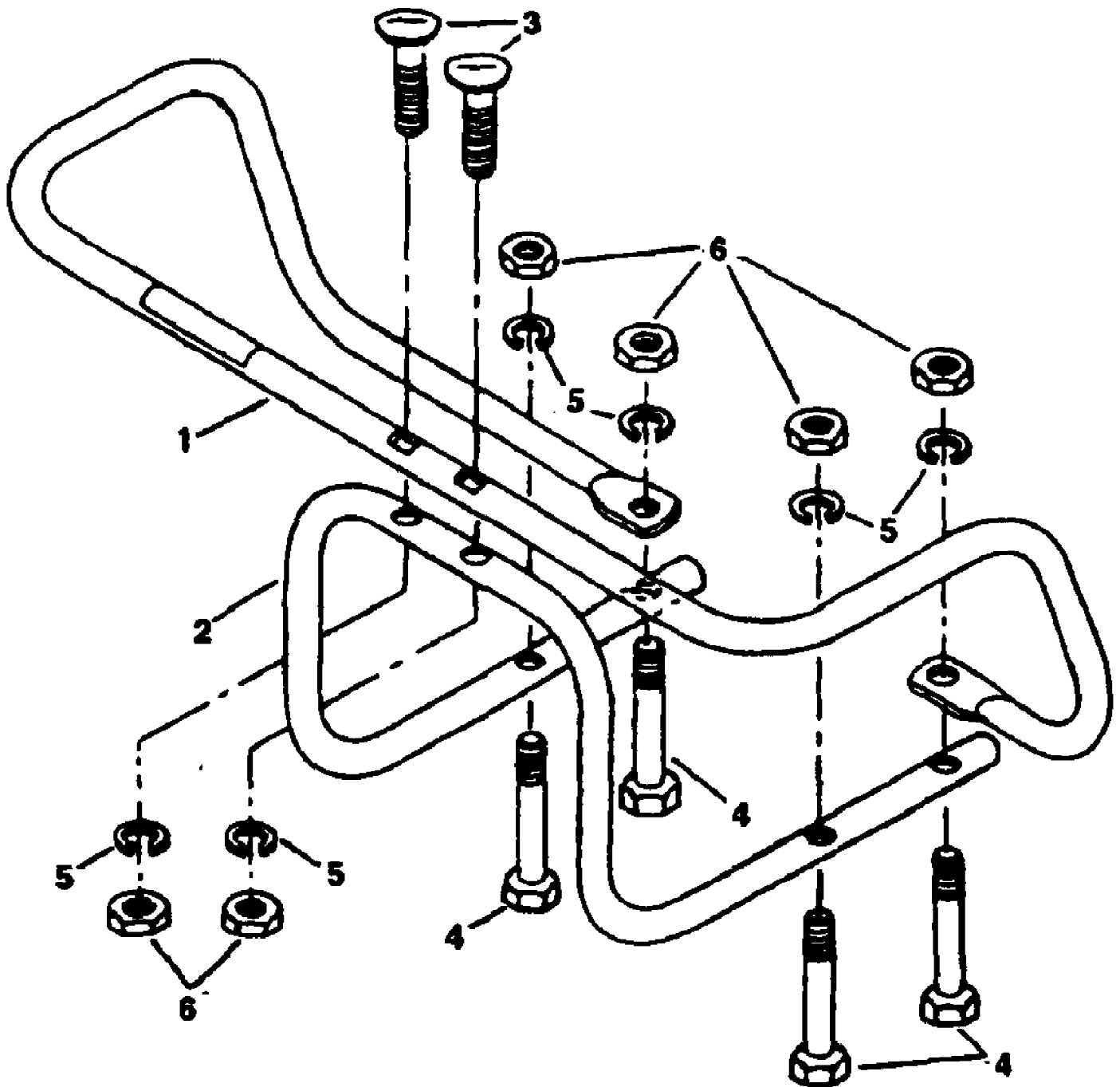
21A-520-081 Bronco Tiller 12180
Bolo Tines, Wheels



21A-520-081 Bronco Tiller 12180
Bolo Tines, Wheels

Page 2 of 18

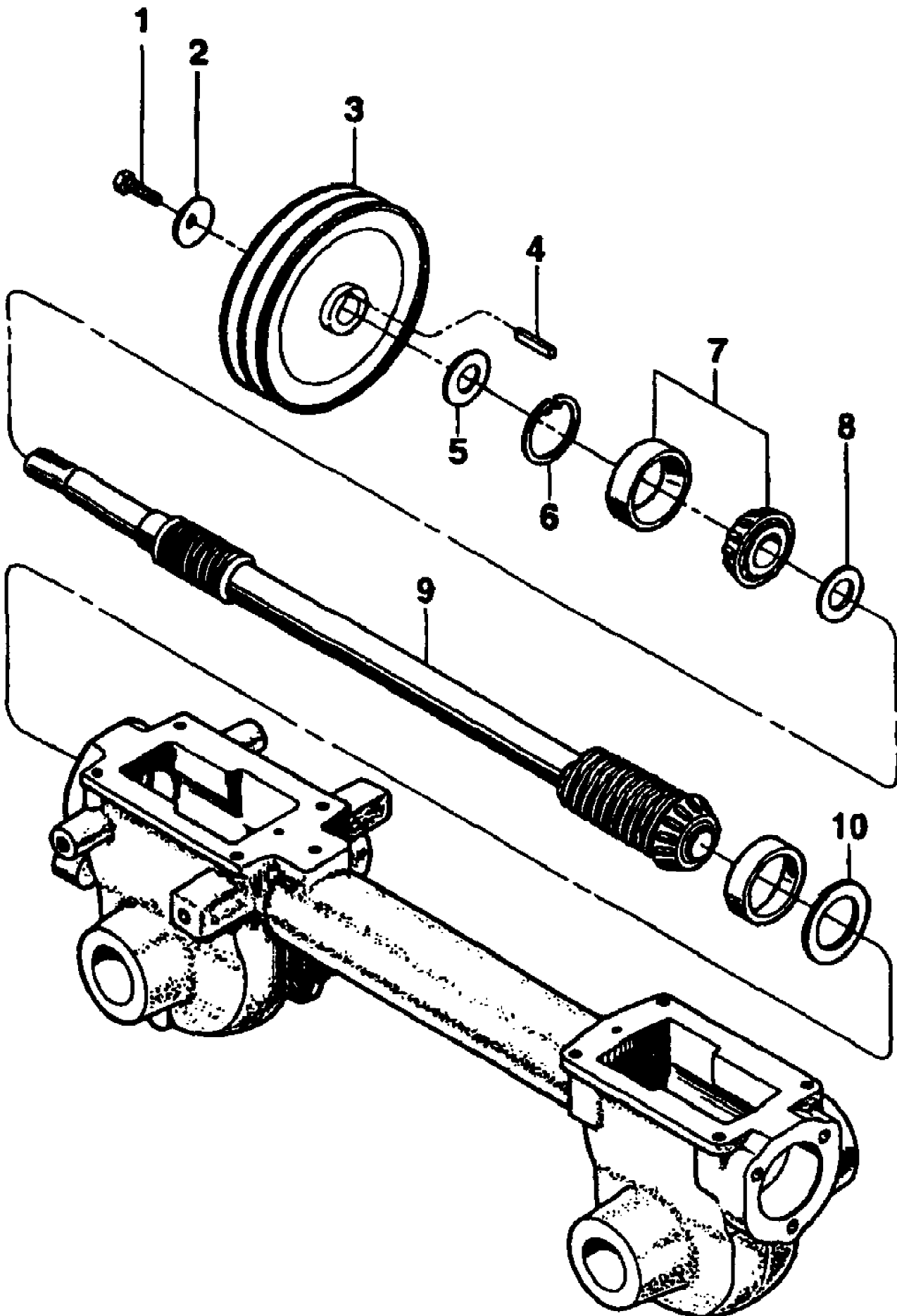
Ref #	Part Number	Qty	S/P/F	Description
1	9711	16		Hex Screw, 3/8-16 x 1, Grade 5, Tine Mounting
2	50049-01	8	S	Bolo Tine-Single, Right Hand tine (Used on left side of tiller.)
3	1733398	18	S	Hex Locknut, 3/8-16
4	9555	2		Hex Screw, 3/8-16 x 1-3/4 (Tine holder to tiller shaft)
5	1901 50049-02	1 8	S/F S	Replacement Set of 16 Bolo Tines Bolo Tine-Single, Left Hand tine (Used on right side of tiller.)
6	1916747001	2	S	Tine Holder (For bolo tines, left & right sides)
7	20918-01	1	S	Wheel & Tire Assy-Left Side
8	20918-02	1	S	Wheel & Tire Assy-Right Side
9	9380	2	S	Clevis Pin - .312" x 1-3/4
10	9338	2	S	Hair Pin Cotter



21A-520-081 Bronco Tiller 12180
Bumper Guard Attachment

Page 4 of 18

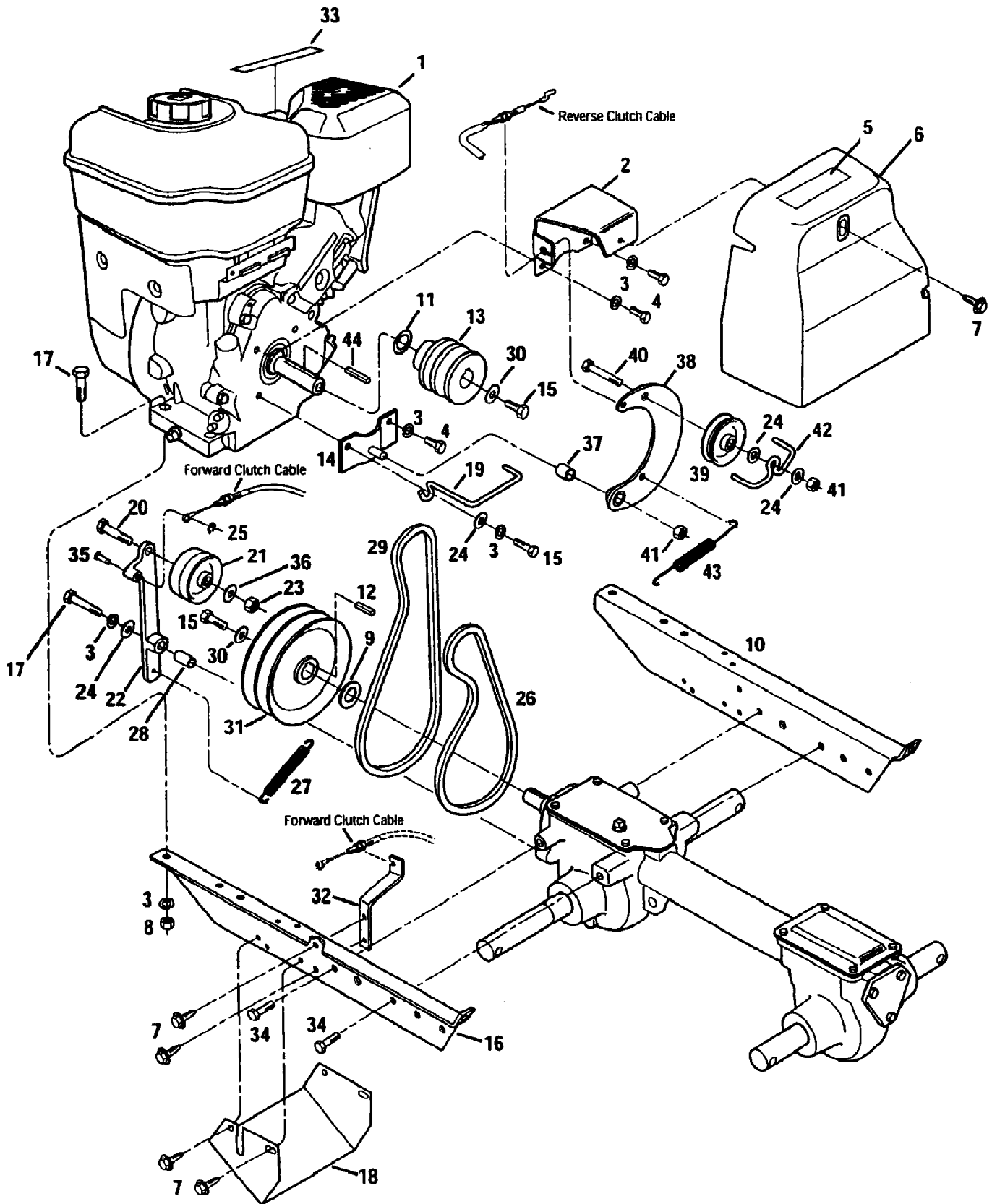
Ref #	Part Number	Qty	S/P/F	Description
1	1904757001	1	S	Bumper, Top Section
2	1904758001	1	S	Bumper, Bottom Section
3	1731025	2	/P	Curved Hd. Screw, 5/16-18 x 2 (special) (Also see Hardware Kit #1915811)
4	1111608	4		Hex Screw, 5/16-18 x 2-1/2, Grade 5 (N/A separately, order Hardware Kit #1915811)
5	1100242	6	S	Lockwasher, 5/16 (N/A separately, order Hardware Kit #1915811)
6	1186230	6	S	Hex Nut, 5/16-18 (N/A separately, order Hardware Kit #1915811)
	1915811	1	/P/F	Hardware Kit



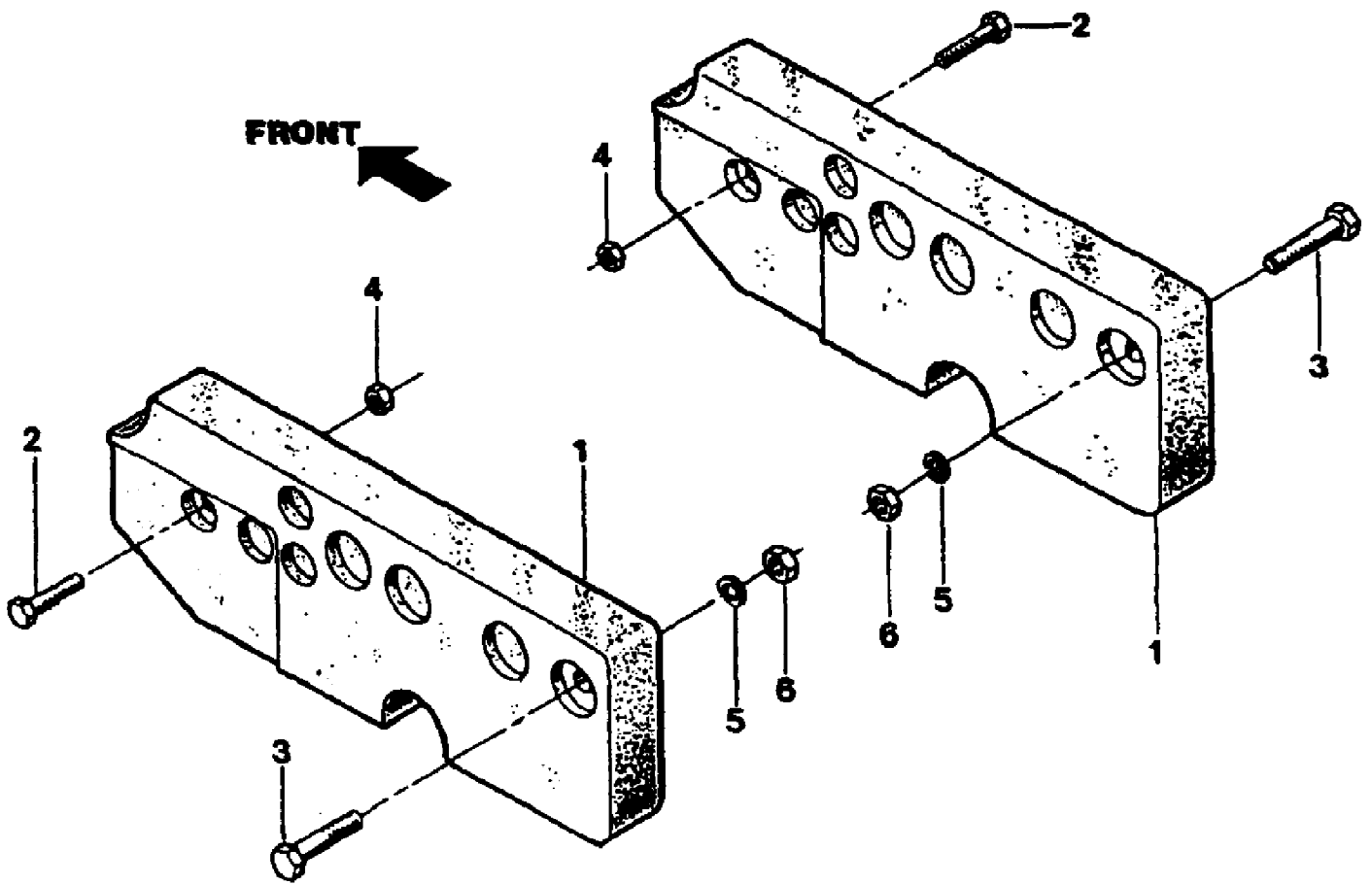
21A-520-081 Bronco Tiller 12180
Drive Shaft Assembly

Page 6 of 18

Ref #	Part Number	Qty	S/P/F	Description
1	1100005	1		Hex Screw, 5/16-24 x 1, Grade 5
2	9944	1	S	Washer, Belleville
3	1916532	1	S	Pulley, Transmission
4	9301	1	S	Key-Transmission Pulley, 3/16 x 1
5	50027	1	S	Support Washer, Front
6	9517	1	S	Snap Ring
7	1714	2	S	Bearing, Tapered Roller (with race).
8	50043	1	S	Support Washer, Rear
9	1904281	1	/P	Drive Shaft Assembly
10	1224-1	AR	S	Shim, Rear Bearing Cap, .010 thick
	1224-2	AR	S	Shim, Same as above except .030 thick
	1224-3	AR	S	Shim, Same as above except .005 thick
	1224-4	AR	S	Shim, Same as above except .062 thick
	1325C	AR	S/F	Shim Set



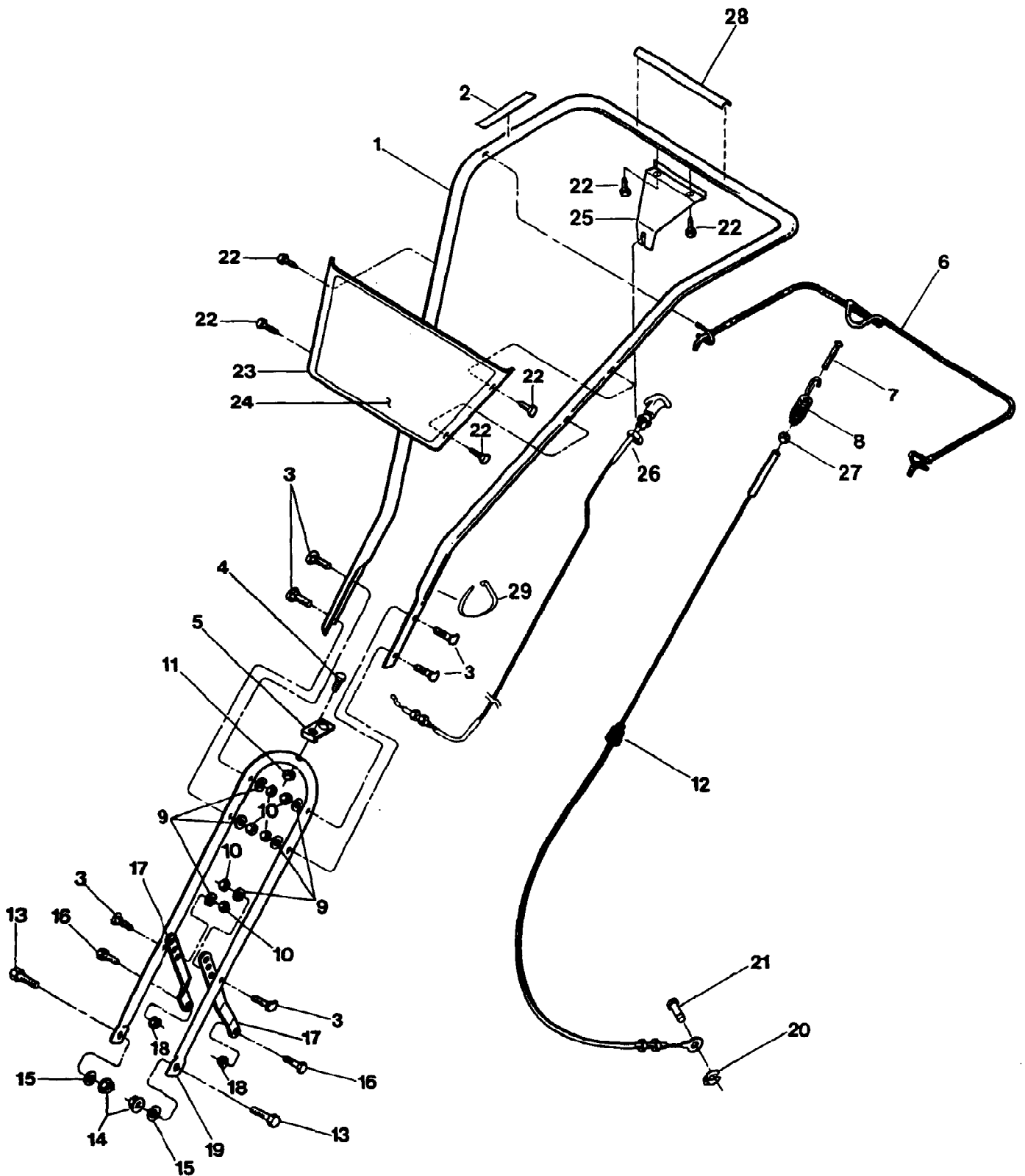
Ref #	Part Number	Qty	S/P/F	Description
1		1		Engine, Recoil Start Contact your local authorized engine service dealer for engine parts and service. Refer to your engine nameplate for engine model/type number.
2	19165370001	1		Bracket, Belt Cover
3	1100242	9	S	Lockwasher, 5/16
4	1111696	3		Screw, Hex Hd., 5/16-24 x 1/2
5	1904557	1		Decal-Warning, Hot Surfaces
6	1917128	1	/P	Belt Cover (Incl. Ref. 5)
7	9552	7	S	Flange Screw, Self-Tapping, 1/4-20 x 1/2
8	1186230	4	S	Hex Nut, 5/16-18
9	50027	1	S	Support Washer
10	1916795001	1	/P	Engine Bracket, Right
11	1138-2	AR	S	Shim
12	9301	1	S	Key, 3/16" x 1"
13	1916531	1	S	Pulley, Engine Drive
14	1916559001	1		Bracket, Reverse Idler
15	1100005	3		Hex Screw, 5/16-24 x 1
16	1916794001	1	S	Engine Bracket, Left
17	1100799	5	S	Hex Screw, 5/16-18 x 1-1/2
18	1916652001	1	S	Guard, Belts/Pulleys
19	1916726	1	/P	Belt Guide, Forward
20	9558	1		Hex Screw, 3/8-16 x 1-1/2
21	9090	1	S	Forward Idler Pulley
22	1916116001	1	/P	Forward Idler Lever
23	1110108	1	S	Locknut - 3/8-16
24	1107382	2	/P	Washer, Flat
25	9386	1		Klip Ring
26	1916657	1	/P	Forward Drive Belt
27	55034	1	S	Spring, Forward Return
28	55033	1		Bushing, Forward Idler Lever
29	1916658	1	/P	Reverse Drive Belt
30	9944	1	S	Washer, Belleville
31	1916532	1	S	Pulley, Transmission
32	1916117001	1	/P	Bracket, Cable Mounting
33	1900766	1		Decal-Stabilization
34	1186328	4	S	Hex Screw, 5/16-18 x 5/8
35	9856	1	S	Clevis Pin
36	1107383	1	S	Flat Washer, 3/8
37	1916536	1		Bushing
38	1916578001	1		Reverse Idler Arm
39	1916535	1	/P	Pulley, Reverse Idler
40	1111606	1		Hex Screw, 5/16-18 x 2
41	1110107	2	S	Locknut, 5/16-18
42	1916725	1	S	Belt Guide
43	1916724	1	/P	Spring, Reverse Return
44	1108841	1	S	Key, 3/16 x 1-1/2



21A-520-081 Bronco Tiller 12180
 Frame Weight Kit

Page 10 of 18

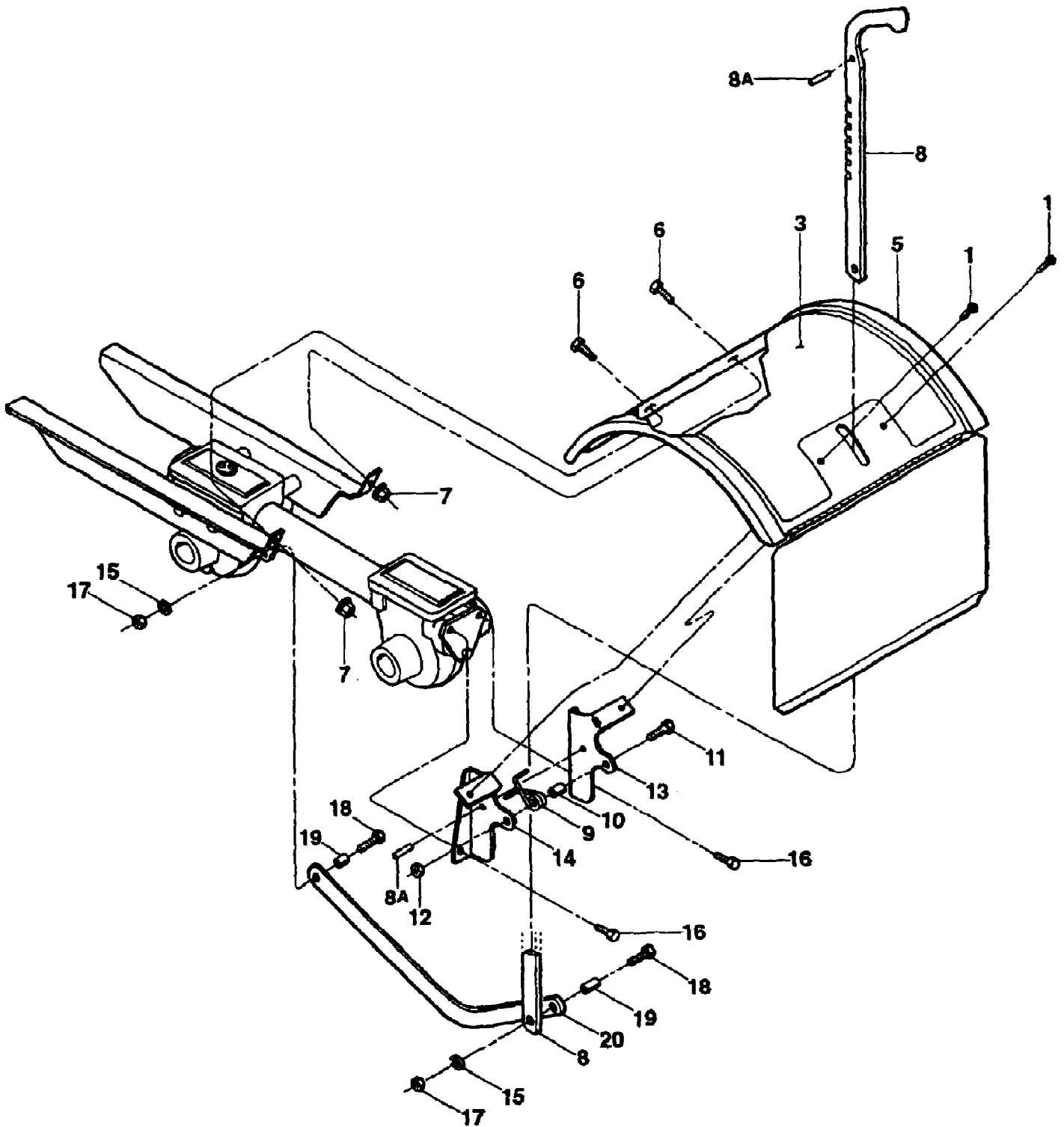
Ref #	Part Number	Qty	S/P/F	Description
1	1916474001	2	/P	Frame Weight
2	1100806	2	S	Hex Screw, 1/4-20 x 1-1/4
3	1100799	2	S	Hex Screw, 5/16-18 x 1-1/2
4	1186229	2	S	Hex Nut, 1/4-20
5	1100242	2	S	Lockwasher, 5/16
6	1186230	2	S	Hex Nut, 5/16-18



Handlebars, Clutch Cables & Handlebar Mounting Hardware

Ref #	Part Number	Qty	S/P/F	Description
1	1916996	1	S	Handlebar, Upper (Incl. Ref. Nos. 2 & 28)
2	1916928	1		Decal-Forward Clutch Bail
3	9854	6	S	Curved Hd. Screw, 5/16-18 x 1-1/2
4	1100806	1	S	Hex Screw, 1/4-20 x 1-1/4
5	55044	1	S	Bracket, Forward Clutch Cable
6	1916106001	1	/P	Bail, Forward Clutch
7	9855	1	S	Screw, #10-24 x 2
8	1916712	1	/P	Spring, Forward Clutch
9	1100242	6	S	Lockwasher, 5/16
10	1186230	6	S	Hex Nut, 5/16-18
11	9811	1		Hex Locknut 1/4-20
12	55048	1	S	Cable Assembly, Forward Clutch
13	1100068	2	S	Hex Screw, 3/8-16 x 3/4
14	9837	2	S	Hex Locknut, 3/8-16
15	1107383	2	S	Flat Washer, 3/8
16	1100044	2	S	Hex Screw, 5/16-18 x 3/4
17	1902173001	2	S	Support, Handlebar
18	1110107	2	S	Hex Locknut, 5/16-18
19	1902174001	1	S	Handlebar, Lower
20	9386	1		Klip Ring
21	9856	1	S	Clevis Pin
22	9552	6	S	Hex Screw, 1/4-20 x 1/2, Self-Tapping
23	1901273010	1		Panel
24	1916818	1		Decal-Model Name/Logo
25	1916671001	1	S	Bracket, Reverse Clutch Cable
26	1916719	1	S	Cable Assembly, Reverse Clutch
27	1186227	1	S	Hex Nut, #10-24
28	1916929	1	S	Decal-Reverse Drive Control
29	1735531	1	S	Cable Tie

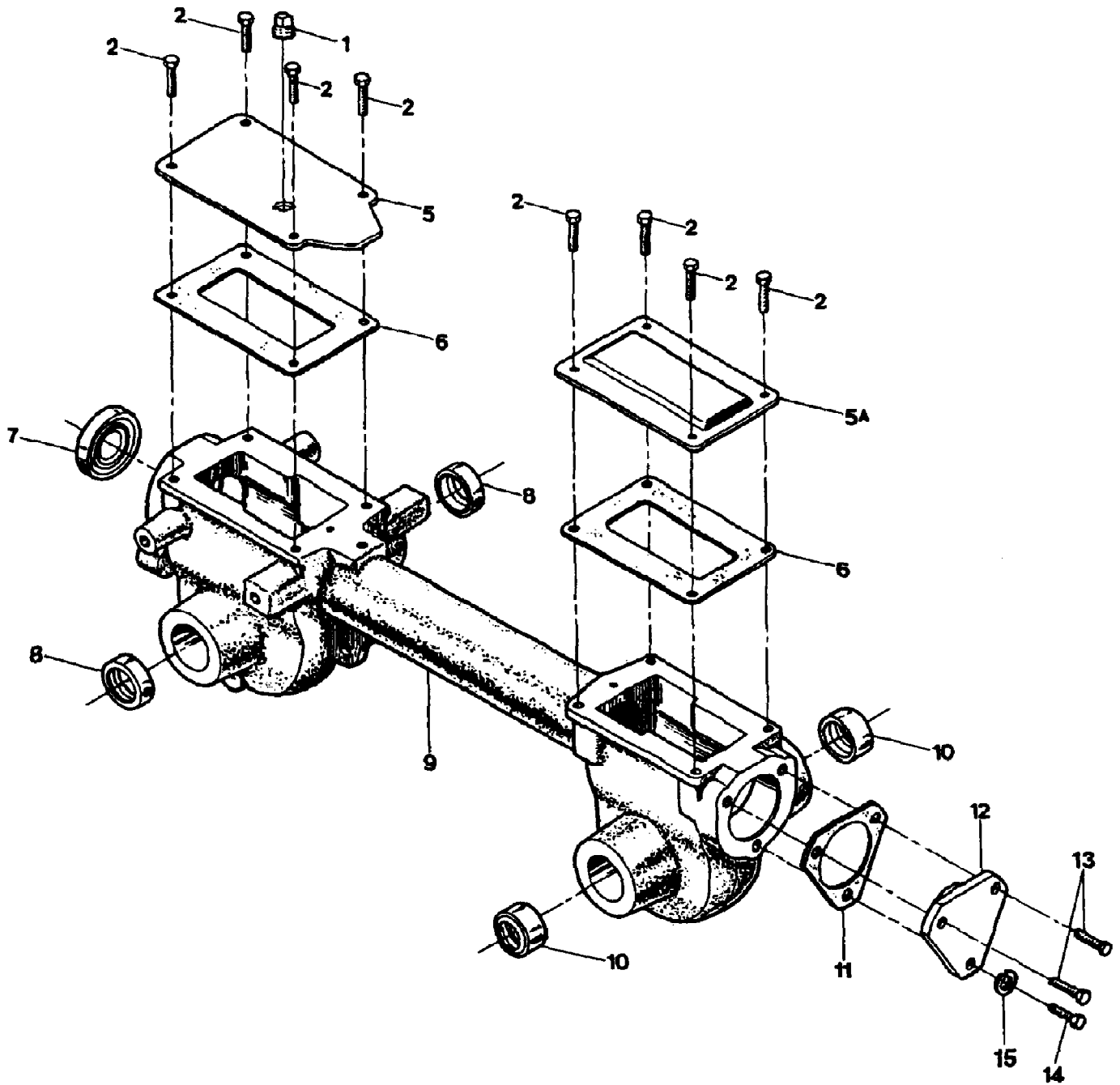
21A-520-081 Bronco Tiller 12180
Tine Hood, Depth Regulator And Drag Bar



21A-520-081 Bronco Tiller 12180
Tine Hood, Depth Regulator And Drag Bar

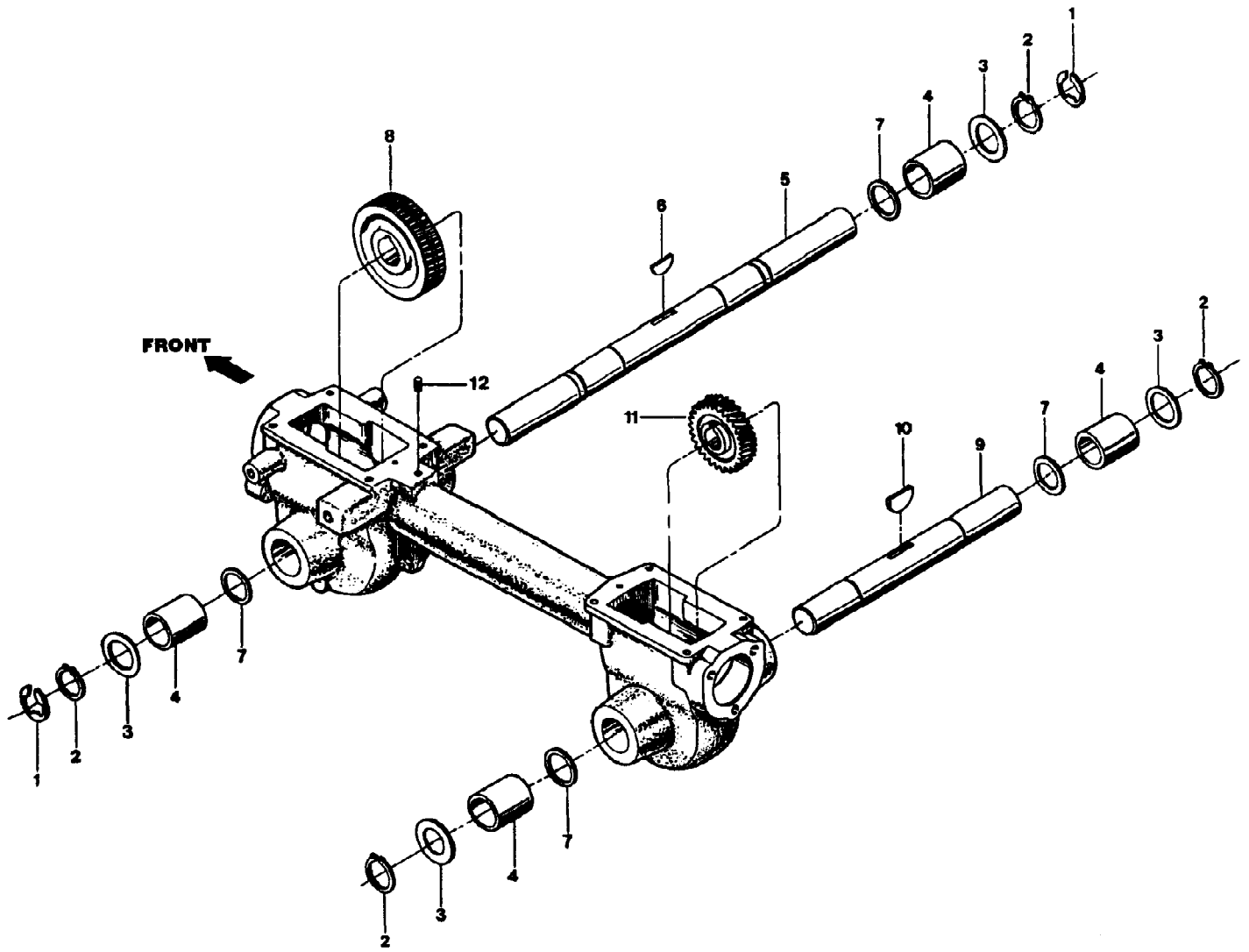
Page 14 of 18

Ref #	Part Number	Qty	S/P/F	Description
1	9552	2	S	Flange Screw, Self-Tapping, 1/4-20 x 1/2
3	1916819	1		Decal-Hood
5	1916997	1	S	Tine Hood. (Incl. tine flap and Ref. No. 3)
6	1100088	2		Hex Screw, 5/16-18 x 1/2
7	1186391	2	S	Nut, Flange Lock, 5/16-18
8	1916118001	1	S	Depth Regulator Lever
8A	9308	2	S	Spirol Pin
9	9384	1	S	Spring-Depth Regulator
10	9534	1	S	Spacer
11	1100069	1	S	Hex Screw, 1/4-20 x 1
12	9811	1		Locknut, 1/4-20
13	1916119001	1	S	Bracket-Hood, Right Hand
14	1916120001	1	S	Bracket-Hood, Left Hand
15	11000242	2		Lockwasher, 5/16
16	1186331	2	S	Flange Screw, 5/16-18 x 1
17	1186230	2	S	Hex Nut, 5/16-18
18	1100808	2		Hex Screw, 5/16-18 x 1-1/4,
19	55088	2	S	Bushing
20	1916121001	1	S	Drag Bar



Transmission Housing, Covers, Seals, Gaskets & Plug

Ref #	Part Number	Qty	S/P/F	Description
1	9727	1	S	Plug, Transmission Oil Fill
2	1186328	8	S	Flange Screw, Grade 5, 5/16-18 x 5/8
5	1916641001	1	/P	Front Cover, Trans. Housing
5A	50074	1	S	Rear Cover, Trans. Housing
6	50032	2	S	Gasket, Trans. Housing Cover (Front and Rear)
7	9617	1	S	Oil Seal, Drive Shaft
8	9621	2	S	Oil Seal, Wheel Shaft
9	1915084010	1	S	Transmission Case, Rear Housing and Tube Assembly
10	1909374	2	S	Oil Seal, Tine Shaft
11	55011-1	1	S	Gasket, Bearing Cap (.010" thick)
	55011-2	1		Gasket, Bearing Cap (.030" thick)
12	1916111001	1	S	Cap, Rear Bearing
13	1186331	2	S	Flange Screw, 5/16-18 x 1
14	1100044	1	S	Flange Screw, 5/16-18 x 3/4
15	1100242	1	S	Lockwasher, 5/16



Ref #	Part Number	Qty	S/P/F	Description
1	9512	2	S	Retainer, Snap Ring, "E" Type
2	9511	4	S	Retainer, Snap Ring
3	1166-1	AR	S	Shim, 0.062" Thick
	1166-2	AR	S	Shim, 0.030" Thick
	1166-3	AR	S	Shim, 0.015" Thick
	1166-4	AR	S	Shim, 0.010" Thick
	1166-5	AR	S	Shim, 0.005" Thick
4	1086	4	S	Bushing, Bronze
5	1916741	1	S	Wheel Shaft
6	9305	1	S	Key, Hi Pro, 1/4 x 1
7	1132-2	4	S	Spacer
8	1904278	1	S	Worm Gear, Wheel Shaft
9	1915074	1	S	Tiller Shaft
10	1104	1	S	Woodruff Key, Tiller Shaft
11	1904279	1	S	Worm Gear, Tiller Shaft
12		1		UNKNOWN