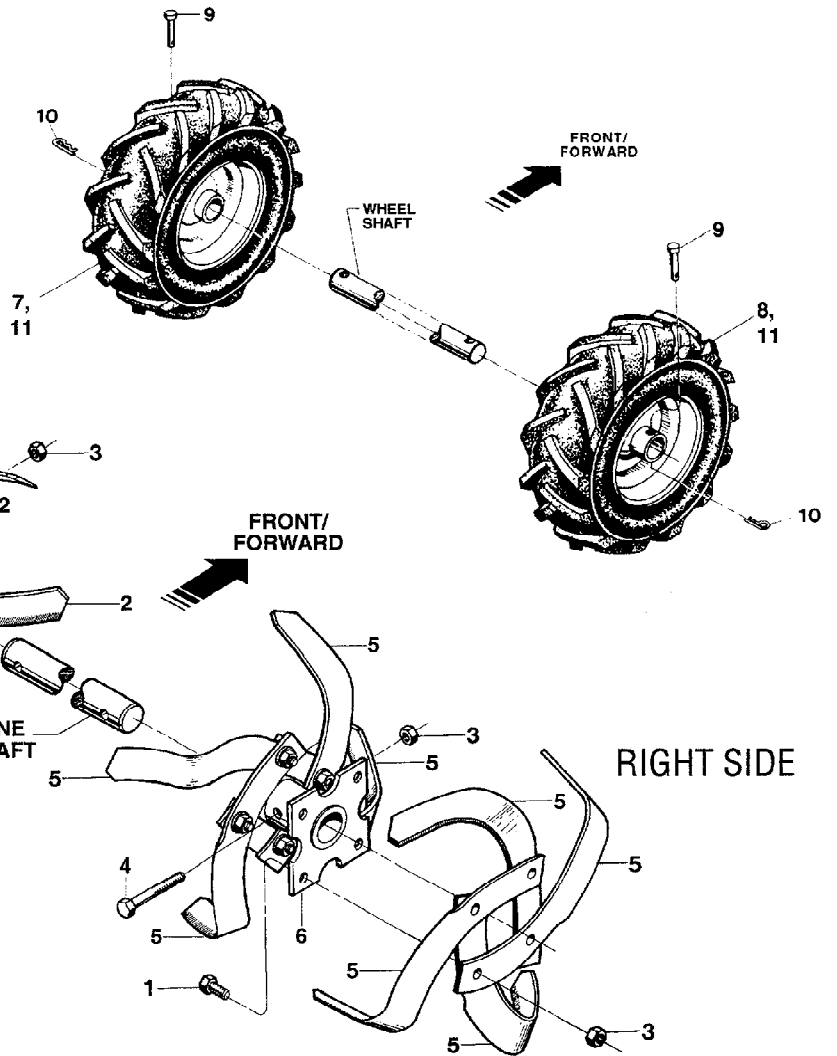
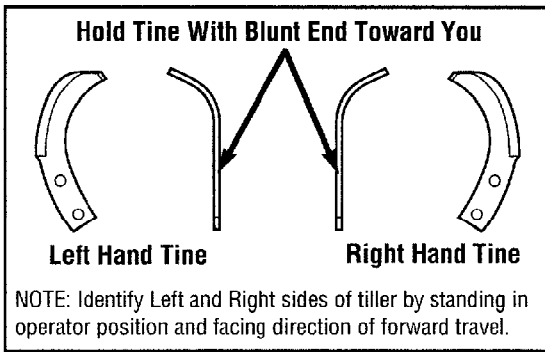


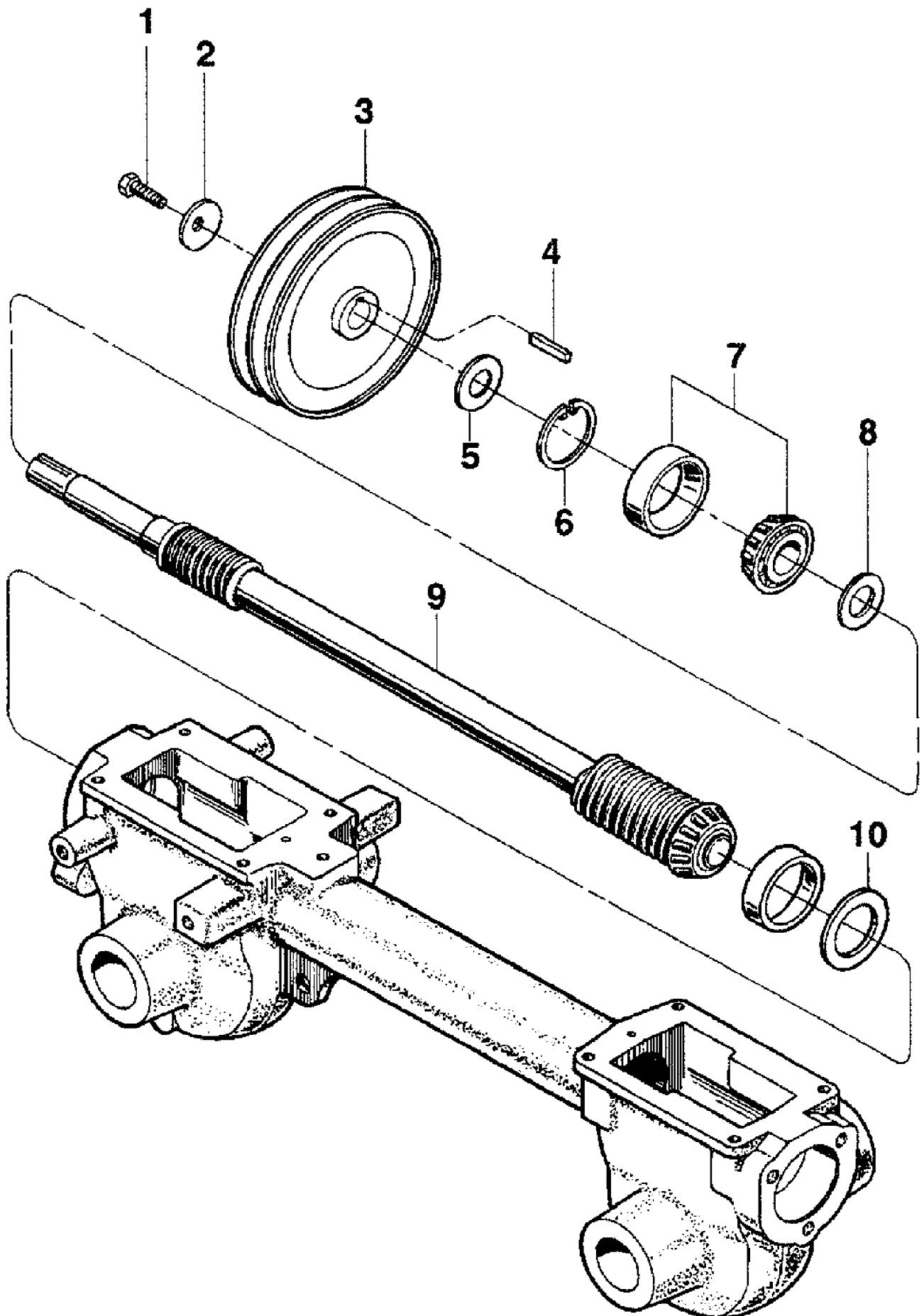
12210 6.5 HP Roto - Tiller  
Bolo Tines And Wheels



12210 6.5 HP Roto - Tiller  
Bolo Tines And Wheels

Page 2 of 15

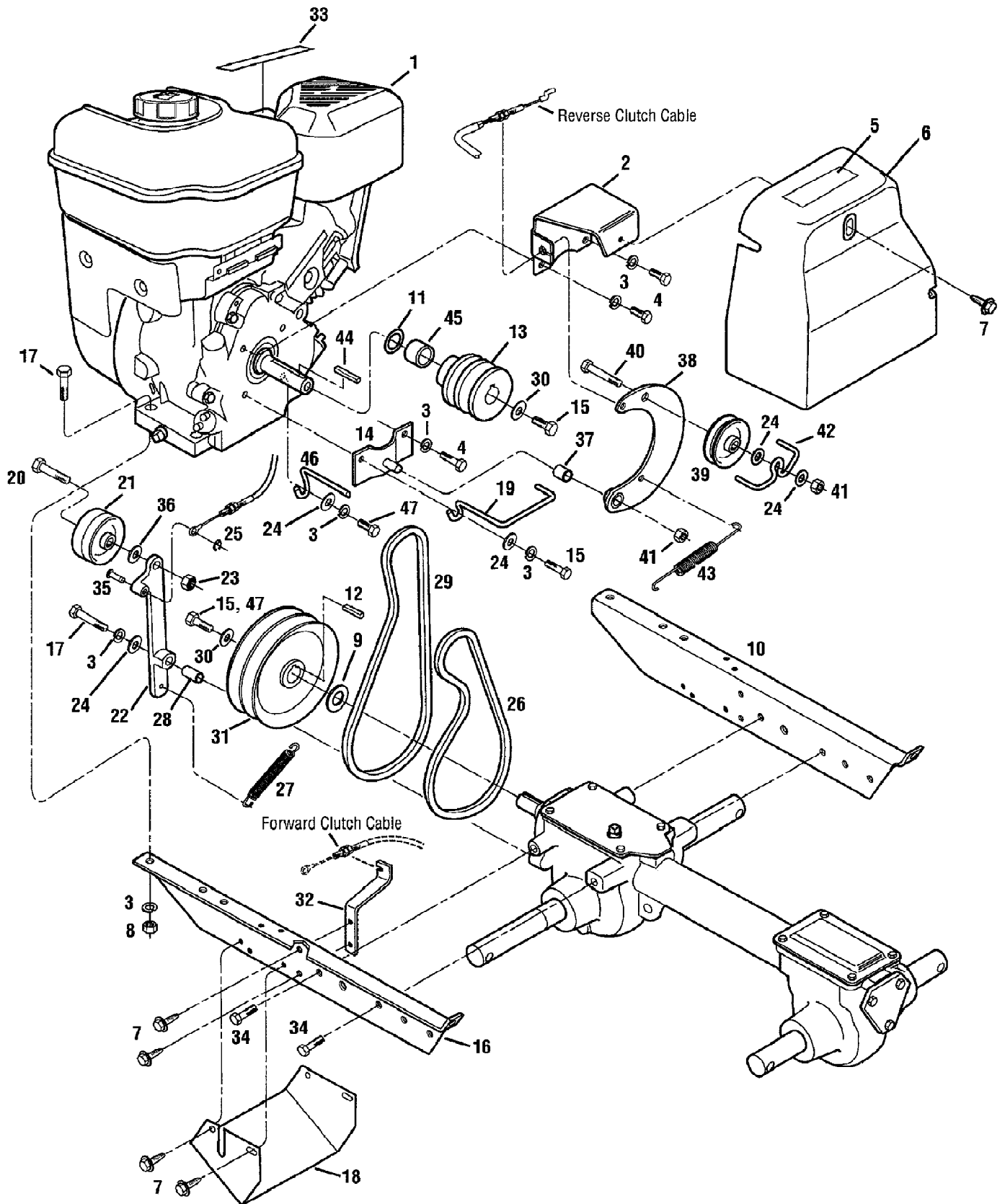
Ref #	Part Number	Qty	S/P/F	Description
1	9711	16		Hex Hd. Screw, 3/8-16 x 1, Grade 5
2	50049-01	8	S	Bolo Tine - Right Hand Single tine used on left side of tiller. (Incl. two each Refs. 1 & 3)
3	1733398	18	S	Hex Lock Nut, 3/8-16
4	9555	2		Hex Hd. Screw, 3/8-16 x 1-3/4
	1901	1	S	Bolo Tine Replacement Set (Incl. eight right hand tines, eight left hand tines and required hardware)
5	50049-02	8	S	Bolo Tine - Left Hand Single tine used on right side of tiller. (Incl. two each Refs. 1 & 3)
6	1916747001	2	S	Tine Holder For Models 12208 - SN122081100101-122081199999; 12209 - SN122091100101-122091199999; 12210 - SN122101100101-122101199999; 12208 - SN122081200101-122081299999; 12209 - SN122091200101-122091299999; 12210 - SN122101200101-122101299999
	1915075001	2	S	Tine Holder For Model 12217 - SN122171100101-122171199999
7	20918-01	1	S	Wheel & Tire Assy-Left Side For Models 12208 - SN122081100101-122081199999; 12209 - SN122091100101-122091199999
	2706-01	1	S	Wheel & Tire Assy-Left Side For Model 12210 - SN122101100101-122101199999
	55095-01	1	S	Wheel & Tire Assy-Left Side For Model 12217 - SN122171100101-122171199999
8	20918-02	1	S	Wheel & Tire Assy-Right Side For Models 12208 - SN122081100101-122081199999; 12209 - SN122091100101-122091199999
	2706-02	1	S	Wheel & Tire Assy-Right Side For Model 12210 - SN122101100101-122101199999
	55095-02	1	S	Wheel & Tire Assy-Right Side For Model 12217 - SN122171100101-122171199999
9	9380	2	S	Clevis Pin, .312" x 1-3/4"
10	9338	2	S	Hair Pin Cotter
11	1917486	2	/P	Wheel & Tire Assy For Models 12208 - SN122081200101-122081299999; 12209 - SN122091200101-122091299999
	1917487	2	S	Wheel & Tire Assy For Model 12210 - SN122101200101-122101299999



12210 6.5 HP Roto - Tiller  
Drive Shaft Assembly

Page 4 of 15

Ref #	Part Number	Qty	S/P/F	Description
1	1100004	1	S	Hex Screw, 5/16-24 x 3/4, Grade 5 For Models 12208/12217
	1100005	1		Hex Screw, 5/16-24 x 1, Grade 5 For Models 12209/12210
2	9944	1	S	Belleville Washer
3	1911321	1	/P	Transmission Pulley For Model 12208
	1916532	1	S	Transmission Pulley For Models 12209/12210
	55031	1	S	Transmission Pulley For Model 12217
4	9301	1	S	Key, Transmission Pulley, 3/16 x 1
5	50027	1	S	Support Washer, Front
6	9517	1	S	Snap Ring
7	1714	2	S	Bearing, Tapered Roller (with race)
8	50043	1	S	Support Washer, Rear
9	1904281	1	/P	Drive Shaft Assy
10	1224-1	A/R	S	Shim, Rear Bearing Cap, .010" thick
	1224-2	A/R	S	Shim, same as above, except .030" thick
	1224-3	A/R	S	Shim, same as above, except .005" thick
	1224-4	A/R	S	Shim, same as above, except .062" thick
	1325C	A/R	S	Shim Set (Incl. the following shims: two #1224-1, two 1224-2, one 1224-3, and one #1224-4)



12210 6.5 HP Roto - Tiller  
Engine, Engine Brackets And Belt Drive Systems

Page 6 of 15

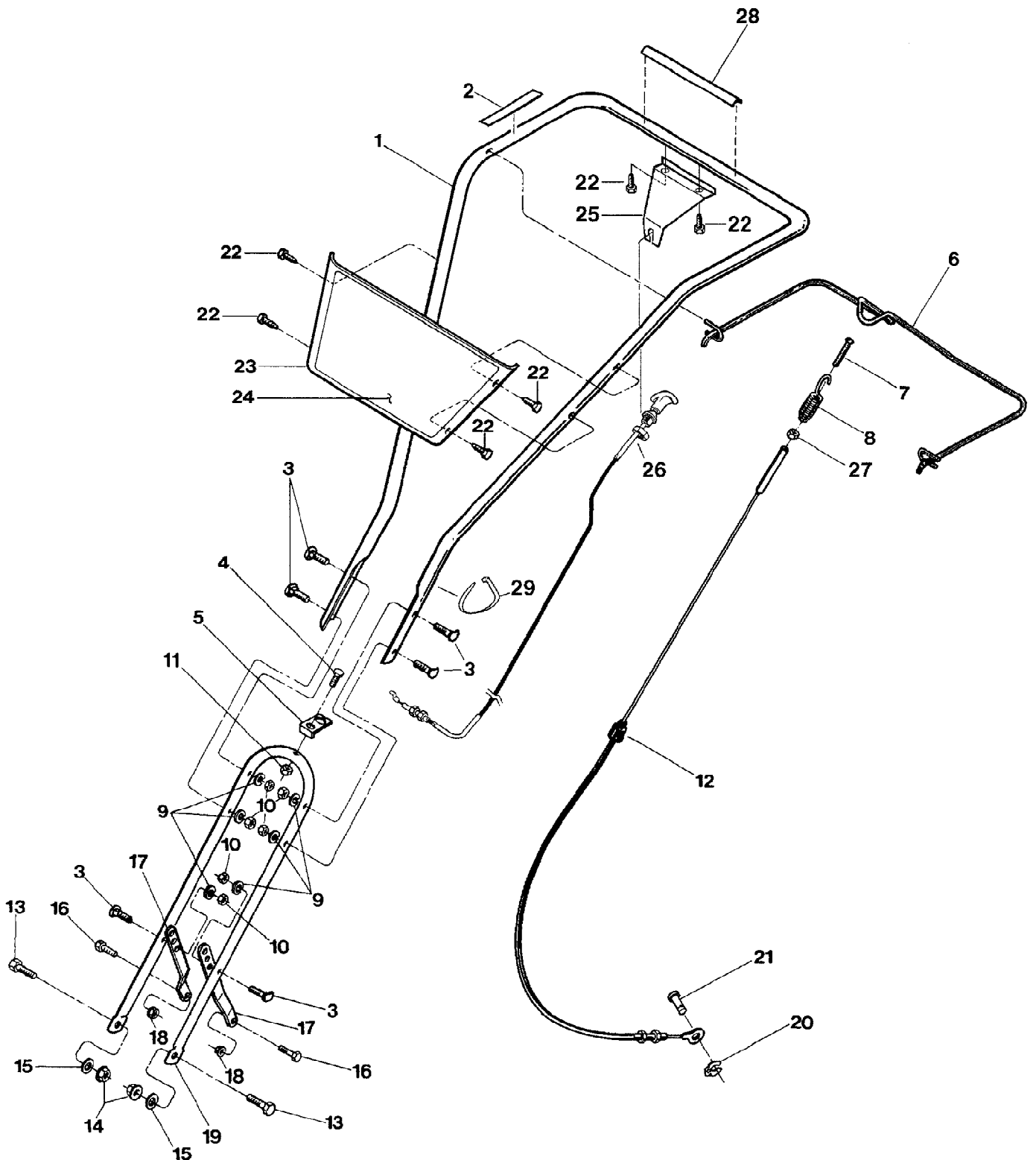
Ref #	Part Number	Qty	S/P/F	Description
1		1		Engine, Recoil Start Contact your local authorized engine service dealer for engine parts and service. Refer to your engine nameplate for engine model/type number.
2	1917326001	1	S	Bracket, Belt Cover
3	1100242	8	S	Lock Washer, 5/16 For Model 12208
		9		Lock Washer, 5/16 For Models 12209/12210
4	1111696	2		Hex Hd. Screw, 5/16-24 x 1/2 For Model 12208
		3		Hex Hd. Screw, 5/16-24 x 1/2 For Models 12209/12210
5	1904557	1		Decal, Hot Surfaces Warning
6	1917128	1	/P	Belt Cover (Incl. Ref. 5)
7	9552	7	S	Hex Hd. Flange Screw, Self-Tapping, 1/4-20 x 1/2
8	1186230	4	S	Hex Nut, 5/16-18
9	50027	1	S	Support Washer
10	1916795001	1	/P	Engine Bracket, Right
11	1138-2	A/R	S	Shim
12	9301	1	S	Key, 3/16" x 1"
13	1911322	1	/P	Pulley, Engine Drive For Model 12208
	1916531	1	S	Pulley, Engine Drive For Models 12209/12210
14	1916559001	1		Reverse Idler Bracket For Models 12209/12210
15	1100005	3		Hex Hd. Screw, 5/16-24 x 1
16	1916794001	1	S	Engine Bracket, Left
17	1100799	5	S	Hex Hd. Screw, 5/16-18 x 1-1/2
18	1916652001	1	S	Guard, Belts/Pulleys
19	1916726	1	/P	Forward Belt Guide For Models 12209/12210
20	9558	1		Hex Hd. Screw, 3/8-16 x 1-1/2
21	9090	1	S	Forward Idler Pulley
22	1916116001	1	/P	Forward Idler Lever
23	1110108	1	S	Lock Nut, 3/8-16
24	1107382	2	/P	Flat Washer
25	9386	1		Up Ring
26	1916657	1	/P	Forward Drive Belt
27	55034	1	S	Forward Return Spring
28	55033	1		Bushing, Forward Idler Lever
29	1916658	1	/P	Reverse Drive Belt For Models 12209/12210
30	9944	1	S	Belleville Washer
31	1911321	1	/P	Transmission Pulley For Model 12208
	1916532	1	S	Transmission Pulley For Models 12209/12210
32	1916117001	1	/P	Bracket, Cable Mounting
33	1900766	1		Decal, Stabilization
34	1186328	4	S	Hex Hd. Screw, 5/16-18 x 5/8
35	9856	1	S	Clevis Pin
36	1107383	1	S	Flat Washer, 3/8
37	1916536	1		Bushing For Models 12209/12210

12210 6.5 HP Roto - Tiller  
 Engine, Engine Brackets And Belt Drive Systems

Page 7 of 15

Ref #	Part Number	Qty	S/P/F	Description
38	1916578001	1		Reverse Idler Arm For Models 12209/12210
39	1916535	1	/P	Pulley, Reverse Idler For Models 12209/12210
40	1111606	1		Hex Hd. Screw, 5/16-18 x 2 For Models 12209/12210
41	1110107	2	S	Lock Nut, 5/16-18 For Models 12209/12210
42	1916725	1	S	Belt Guide For Models 12209/12210
43	1916724	1	/P	Reverse Return Spring For Models 12209/12210
44	1108841	1	S	Key, 3/16" x 1-1/2"
45	1916574	1		Spacer For Model 12208
46	1916706	1	/P	Forward Belt Guide For Model 12208
47	1100004	2	S	Hex Hd. Screw, 5/16-24 x 3/4 For Model 12208

12210 6.5 HP Roto - Tiller  
Handlebars, Clutch Cables And Handlebar Mounting Hardware



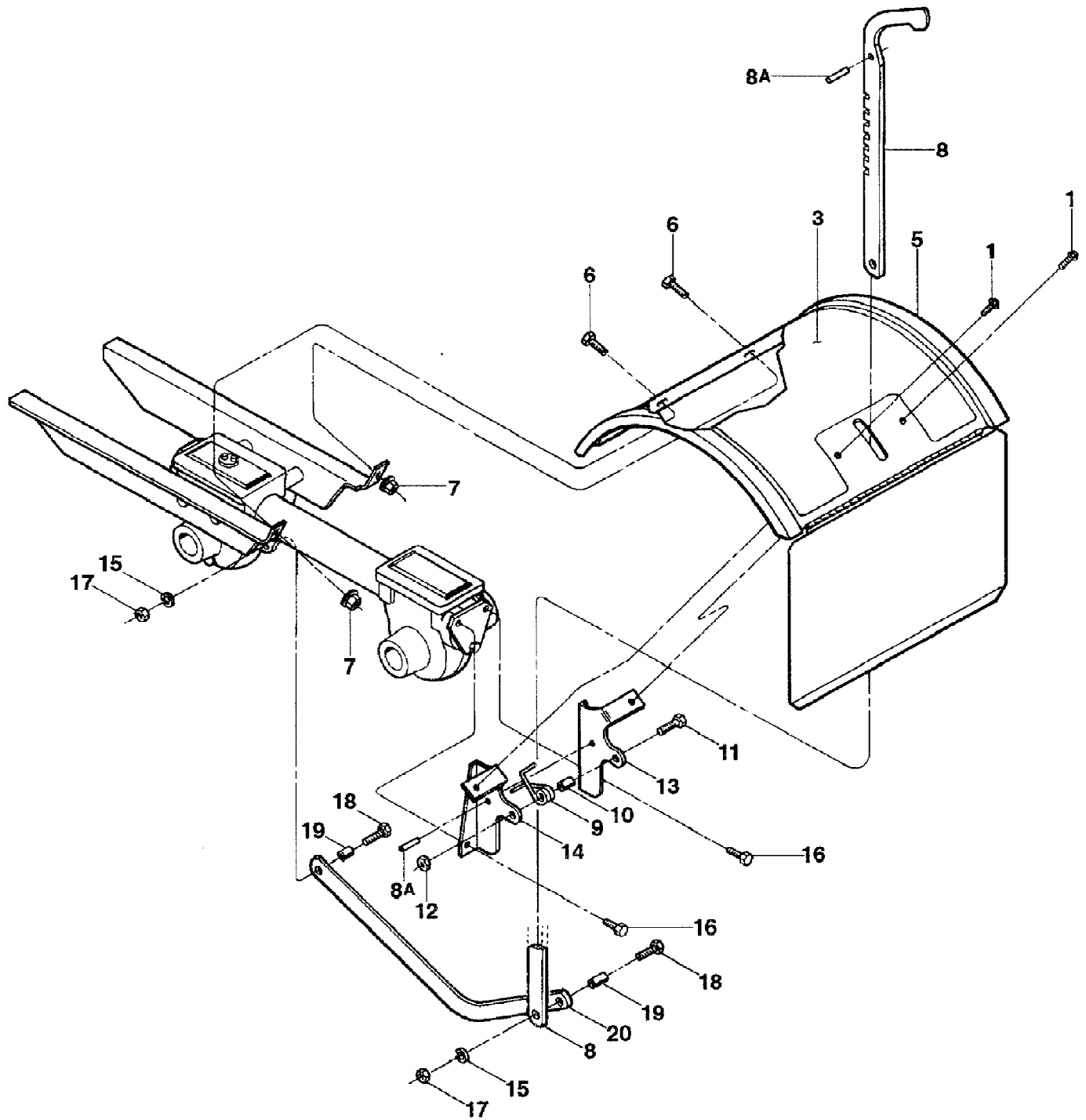


12210 6.5 HP Roto - Tiller  
Handlebars, Clutch Cables And Handlebar Mounting Hardware

Page 9 of 15

Ref #	Part Number	Qty	S/P/F	Description
1	55104	1	S	Upper Handlebar (Incl. Ref. 2); For Models 12208/12217
	1916996	1	S	Upper Handlebar (Incl. Refs. 2 & 28); For Models 12209/12210
2	1916928	1		Decal, Forward Clutch Bail
3	1100799	6	S	Hex Hd. Screw, 5/16-18 x 1-1/2
4	1100806	1	S	Hex Hd. Screw, 1/4-20 x 1-1/4
5	55044	1	S	Bracket, Forward Clutch Cable
6	1916106001	1	/P	Bail, Forward Clutch
7	9855	1	S	Screw, #10-24 x 2
8	1916712	1	/P	Spring, Forward Clutch
9	1100242	6	S	Lock Washer, 5/16
10	1186230	6	S	Hex Lock Nut, 5/16-18
11	9811	1		Hex Lock Nut, 1/4-20
12	55048	1	S	Cable Assy, Forward Clutch
13	1100068	2	S	Hex Hd. Screw, 3/8-16 x 3/4
14	9837	2	S	Hex Lock Nut, 3/8-16
15	1107383	2	S	Flat Washer, 3/8
16	1100044	2	S	Hex Hd. Screw, 5/16-18 x 3/4
17	1916107001	2	/P	Handlebar Support
18	1110107	2	S	Hex Lock Nut, 5/16-18
19	1916108001	1	/P	Lower Handlebar
20	9386	1		Klip Ring
21	9856	1	S	Clevis Pin
22	9552	6	S	Hex Screw, 1/4-20 x 1/2, Self-Tap For Models 12209/12210
	9552	4	S	Hex Screw, 1/4-20 x 1/2, Self-Tap For Models 12208/12217
23	1901273010	1		Panel
24	1917563	1		Decal, Model Name/Logo For Model 12208
	1916818	1		Decal, Model Name/Logo For Model 12209
	1917555	1		Decal, Model Name/Logo For Model 12210
	55097	1		Decal, Model Name/Logo For Model 12217
25	1916674001	1	S	Bracket, Reverse Clutch Cable For Models 12209/12210
26	1916719	1	S	Cable Assy, Reverse Clutch For Models 12209/12210
27	1186227	1	S	Hex Nut, #10-24
28	1916929	1	S	Decal, Reverse Drive Control For Models 12209/12210
29	1735531	1	S	Cable Tie For Models 12209/12210

12210 6.5 HP Roto - Tiller  
Tine Hood, Depth Regulator And Drag Bar



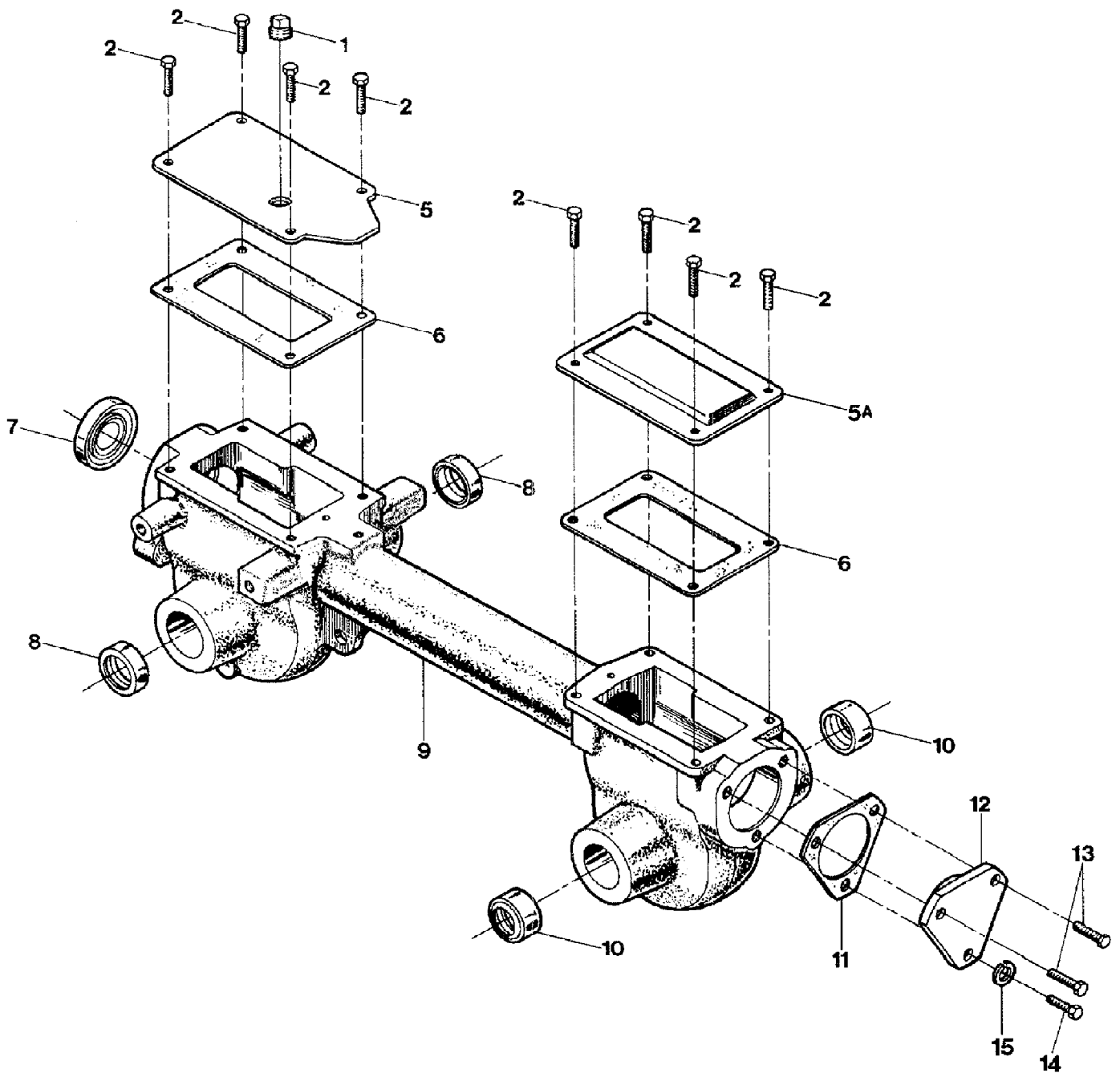
12210 6.5 HP Roto - Tiller  
Tine Hood, Depth Regulator And Drag Bar

Page 11 of 15

Ref #	Part Number	Qty	S/P/F	Description
1	9552	2	S	Hex Hd. Flange Screw, Self-Tapping, 1/4-20 x 1/2
3	1917536	1	/P	Decal, Hood
5	1917594	1	S	Tine Hood (Incl. tine flap and Ref. 3); For Models 12208/12209/12210
	1904572	1	S	Tine Hood (Incl. tine flap and Ref. 3); For Model 12217
6	1100088	2		Hex Hd. Screw, 5/16-18 x 1/2
7	1186391	2	S	Hex Flange Lock Nut, 5/16-18
8	1916118001	1	S	Depth Regulator Lever
8A	9308	2	S	Spirol Pin
9	9384	1	S	Spring, Depth Regulator
10	9534	1	S	Spacer
11	1100069	1	S	Hex Hd. Screw, 1/4-20 x 1
12	9811	1		Hex Lock Nut, 1/4-20
13	1916119001	1	S	Hood Bracket, Right Hand
14	1916120001	1	S	Hood Bracket, Left Hand
15	11000242	2		Lock washer, 5/16
16	1186331	2	S	Hex Hd. Flange Screw, 5/16-18 x 1
17	1186230	2	S	Hex Nut, 5/16-18
18	1100808	2		Hex Hd. Screw, 5/16-18 x 1-1/4
19	55088	2	S	Bushing
20	1916121001	1	S	Drag Bar

12210 6.5 HP Roto - Tiller

Transmission Housing, Covers, Seals, Gaskets And Plug

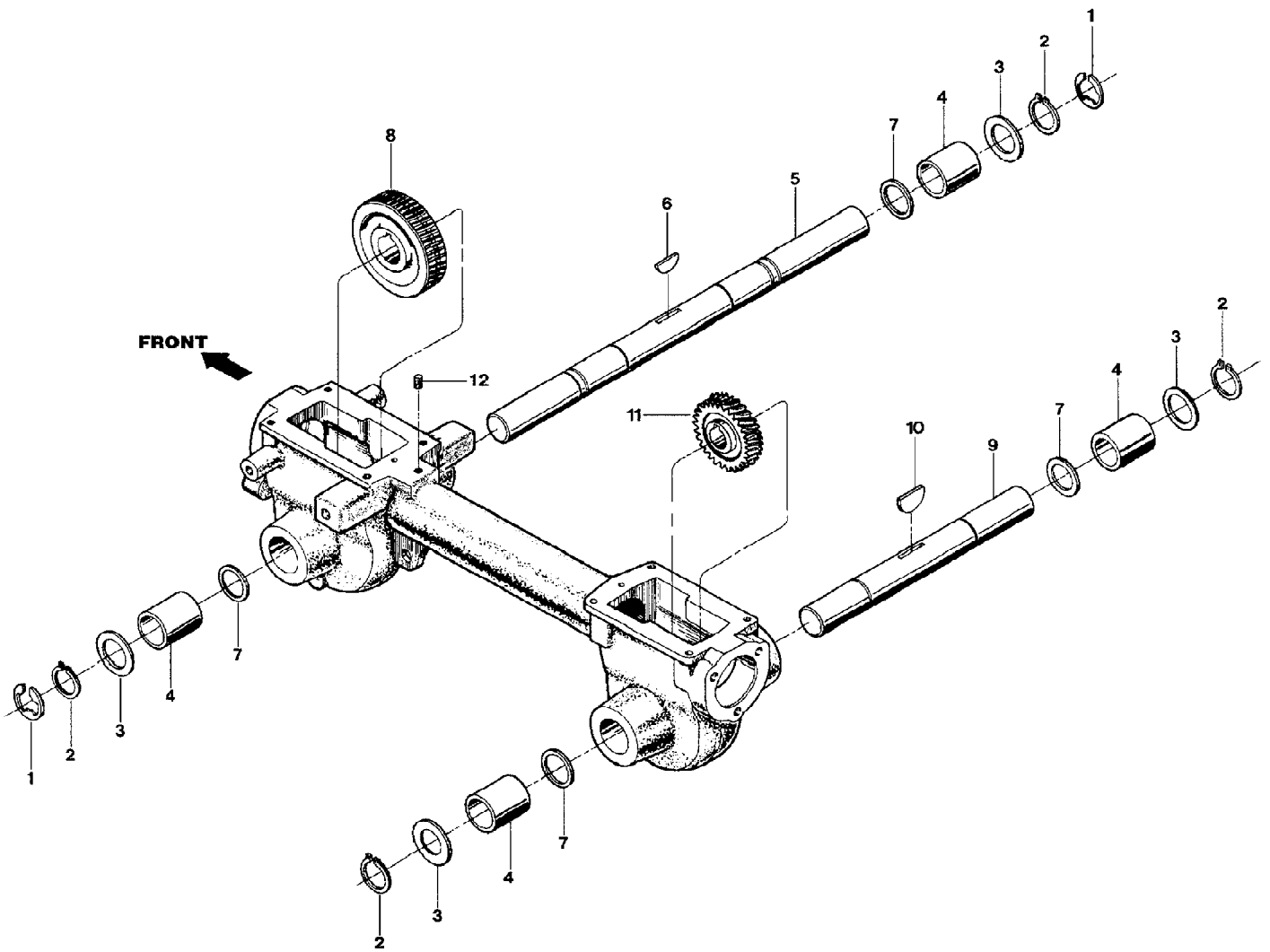


12210 6.5 HP Roto - Tiller

Page 13 of 15

Transmission Housing, Covers, Seals, Gaskets And Plug

Ref #	Part Number	Qty	S/P/F	Description
1	9727	1	S	Plug, Transmission Oil Fill
2	1186328	8	S	Hex Hd. Flange Screw, 5/16-18 x 5/8, Grade 5
5	1916641001	1	/P	Front Cover, Transmission
5A	50074	1	S	Rear Cover, Transmission
6	50032	2	S	Gasket, Housing Cover
7	9617	1	S	Oil Seal, Drive Shaft
8	9621	2	S	Oil Seal, Wheel Shaft
9	1915084010	1	S	Transmission Housing Assy
10	1909374	2	S	Oil Seal, Tine Shaft
11	55011-1	1	S	Bearing Cap Gasket, .010" thick
	55011-2	1		Bearing Cap Gasket, .030" thick
12	1916111001	1	S	Rear Bearing Cap
13	1186331	2	S	Hex Hd. Flange Screw, 5/16-18 x 1
14	1100044	1	S	Hex Hd. Flange Screw, 5/16-18 x 3/4
15	1100242	1	S	Lock Washer, 5/16



12210 6.5 HP Roto - Tiller  
Wheel And Tiller Shaft Assemblies

Page 15 of 15

Ref #	Part Number	Qty	S/P/F	Description
1	9512	2	S	Retainer, Snap Ring, "E" Type
2	9511	4	S	Retainer, Snap Ring
3	1166-1	A/R	S	Shim, 0.062" thick
	1166-2	A/R	S	Shim, 0.030" thick
	1166-3	A/R	S	Shim, 0.015" thick
	1166-4	A/R	S	Shim, 0.010" thick
	1166-5	A/R	S	Shim, 0.005" thick
4	1086	4	S	Bronze Bushing
5	1916741	1	S	Wheel Shaft For Models 12208/12209/12210
	55004	1	S	Wheel Shaft For Model 12217
6	9305	1	S	Key, Hi-Pro, 1/4 x 1
7	1132-2	4	S	Spacer
8	1904278	1	S	Worm Gear, Wheel Shaft
9	1915074	1	S	Tiller Shaft
10	1104	1	S	Woodruff Key
11	1904279	1	S	Worm Gear, Tiller Shaft
12		1		UNKNOWN